

LINKWELL[®]
ELECTRIC

THERMAL SOLUTION PRODUCTS

EDITION 2023/2024





APPLICATION AREA



- **Application area, Wind power:**
Wind power is the conversion of wind kinetic energy into electrical energy. As a clean and renewable energy source, wind energy is receiving more and more attention from all countries in the world.
- **Charging pile:**
The Chinese government actively promotes the application and development of new energy vehicles, and the replacement of power stations as an important supporting infrastructure necessary for the development of electric vehicles has very important social and economic benefits.
- **Automatic robot:**
The cutting-edge technology of the industry is AI (Artificial Intelligence), an intelligent robot. Automation is the general trend of the future society, and it is more and more closely related to communication engineering and CS (computer science).
- **Photovoltaic:**
The main principle of photovoltaic power generation is the photoelectric effect of semiconductors. When a photon is irradiated onto a metal, its energy can be completely absorbed by some electron in the metal.
- **High and new technology industry:**
The high-tech industry mainly includes three major fields: information technology, biotechnology and new materials technology.
- **Cabinet and electrical complete set:**
As an important supporting infrastructure for the development of electric vehicles, charging and replacing power stations have very important social and economic benefits. LINKWELL ELECTRIC products are widely used in the charging pile industry, making the equipment more stable and efficient in operation.
- **Infrastructure**
Provide all-round service for customer's system integration solution.



Wall mounted fan-filter •

Thermostat, heater •

Bus bar system •

Cable entry system •

• Roof fan

• Panel lamp

• Distribution Terminal block

• KE AL/CU terminal

• Signal Indicator, Push-button

• DIN rail, wiring duct

• Other accessories

LINKWELL ELECTRIC is a professional company engaged in low voltage electrical products for switchgear board and automation industry , such as panel ventilation fan filter ,heater, thermostat, control transformer, terminal blocks, wiring duct and other panel accessories.

Through our decades' efforts and development LINKWELL now becomes a group company with several factories by entirely holding or partly holding, not only self-production but also few trading, in order to provide one- stop- solution of panel accessories for panel builder.

Our main markets are European countries, Americans, Middle East, South Asia and China, you can find us in more than 60 countries all over the world, well-known with good reputation in the market for the sake of our sustainable quality and competitive prices, kind and prompt services to clients, our main partners are those reputable companies like: ABB, SIEMENS, SCHNEIDER electrics, ROCKWELL automation,CHINT.



LINKWELL ELECTRIC policy is to offer a full support to Clients:

- pre-after sales assistance
- customized products
- fast delivery
- monitoring customers' satisfaction

Rather than a supplier, LINKWELL ELECTRIC aims to be a Client's industrial PARTNER our company always pays special attention to protecting the benefits of clients' so that both of us can gain the better benefits from the relations between us.

We warmly look forward to establishing, reinforcing and expanding long term fruitful relationship with the reliable clients all over the world.

Let's get busy and pull together to create a better future!



Innovation Quality Global

COMPANY MISSION

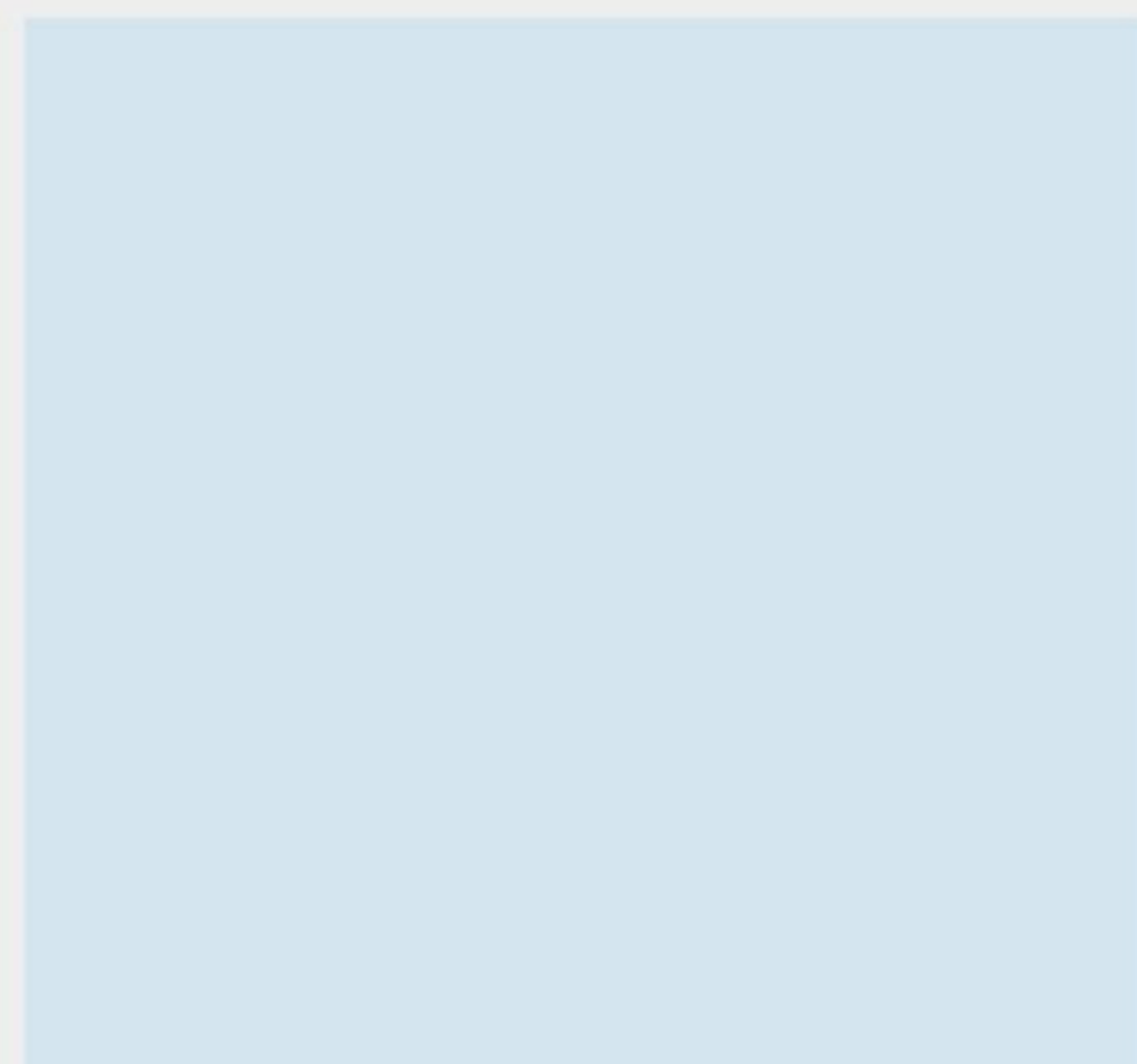
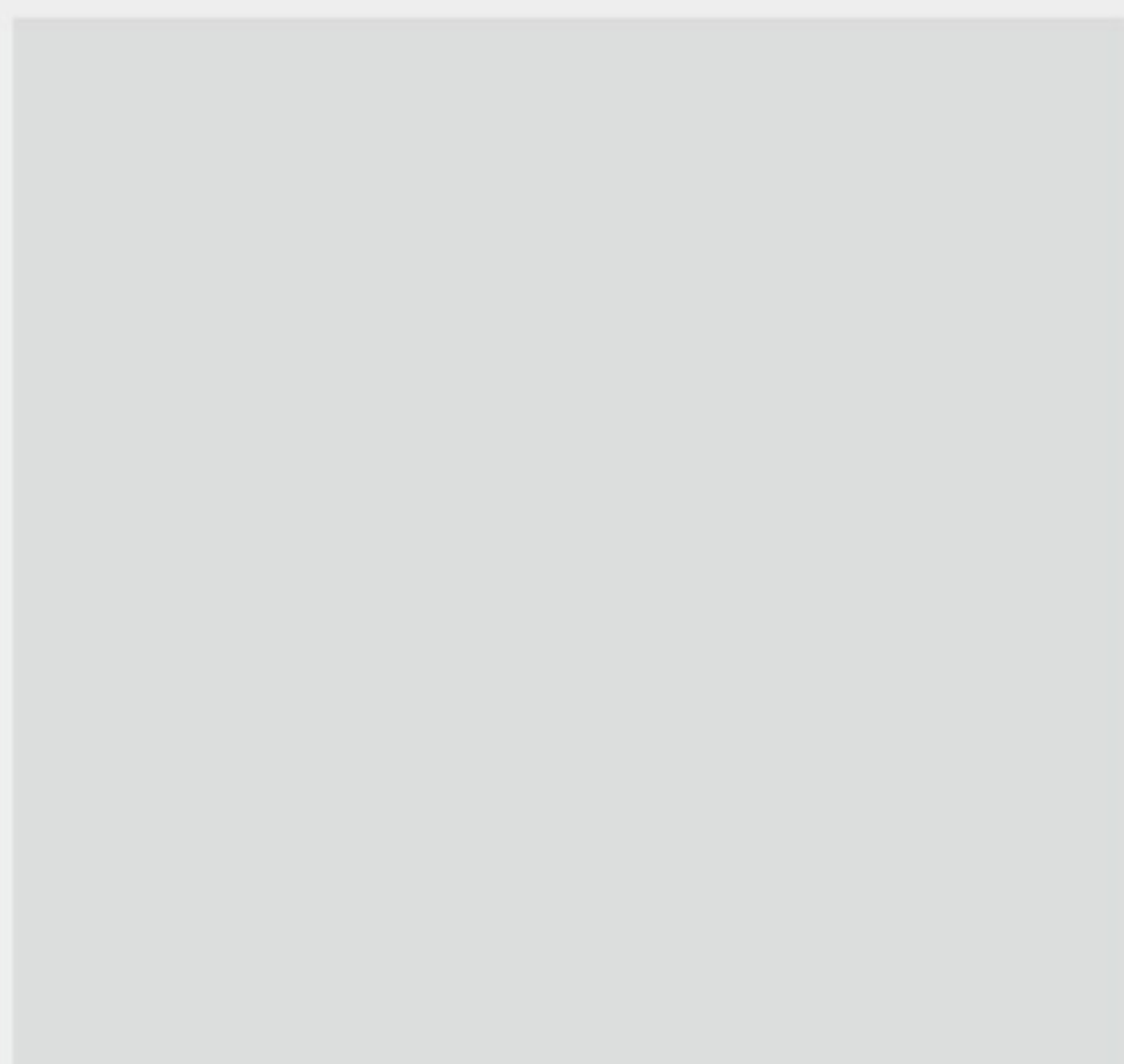
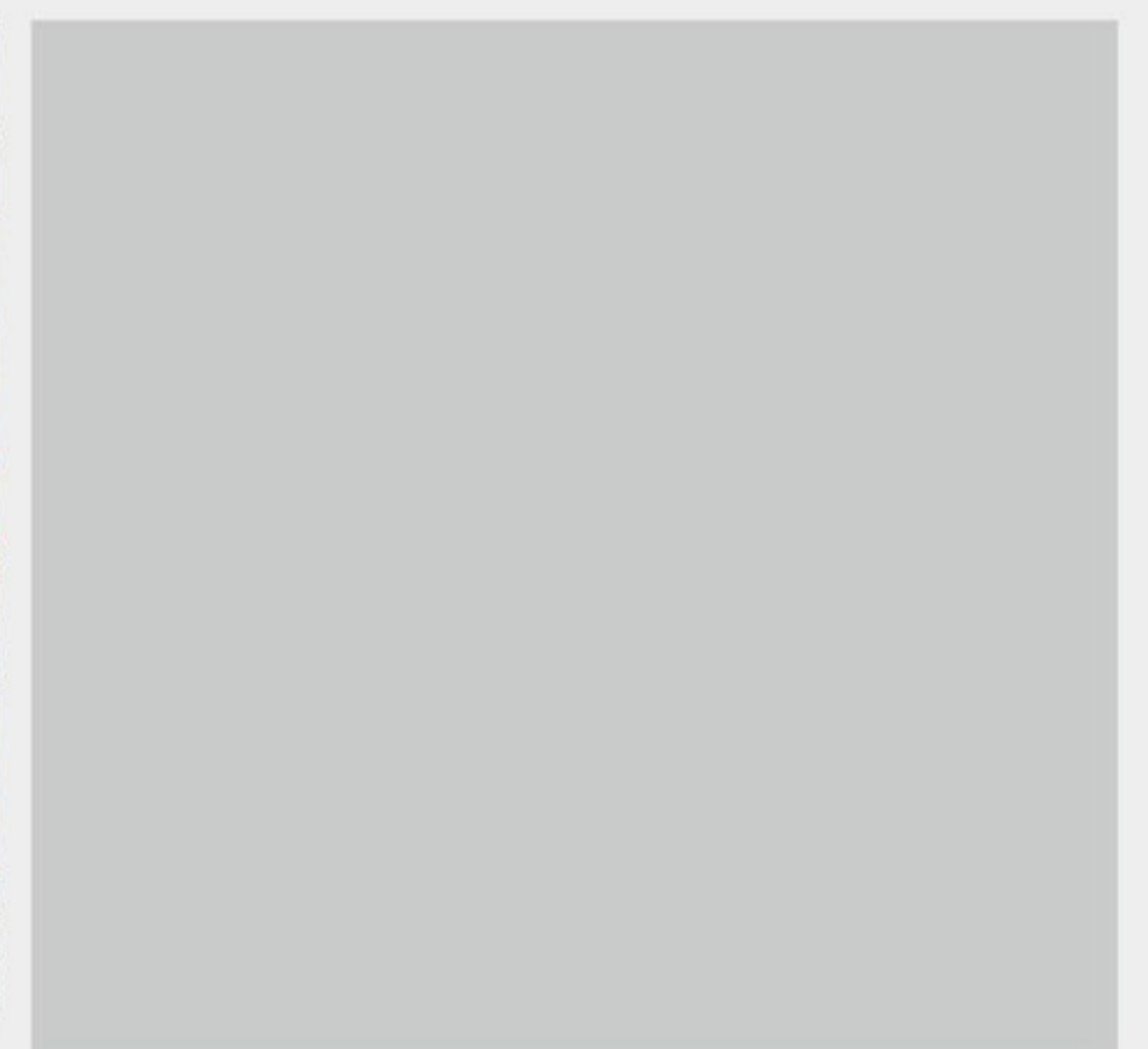
To win respect of "Made in China" from the world

COMPANY VALUE

Realize the dream for employees
Create value for customers
Take responsibilities for the society

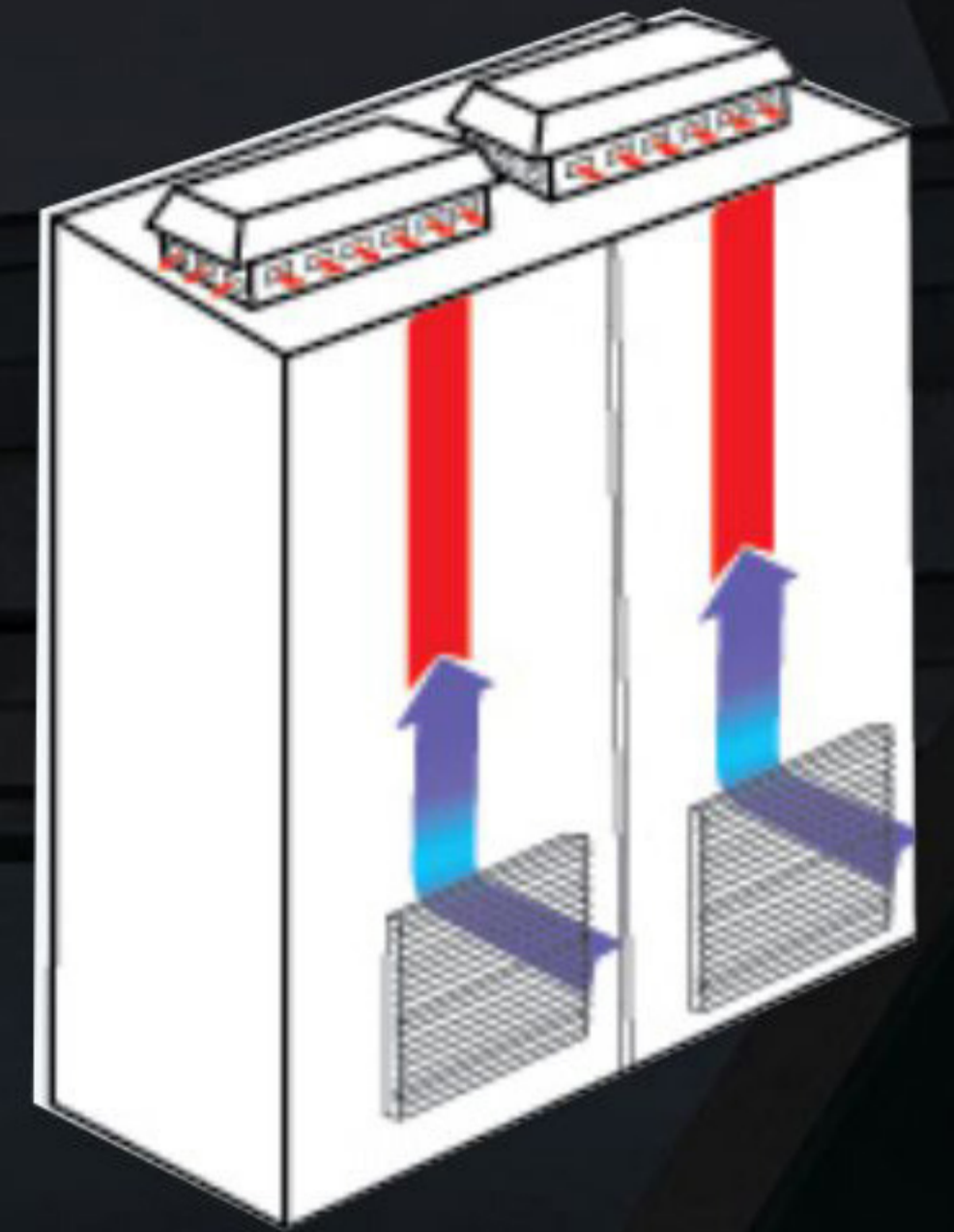
COMPANY VISION

To be a global and well-known brand,
one stop solution supplier for electrical cabinet components



CABINET ROOF FAN

Adopting high-performance, industrial grade ball bearing fans Completely reduce the internal temperature of the cabinet in a short period of time

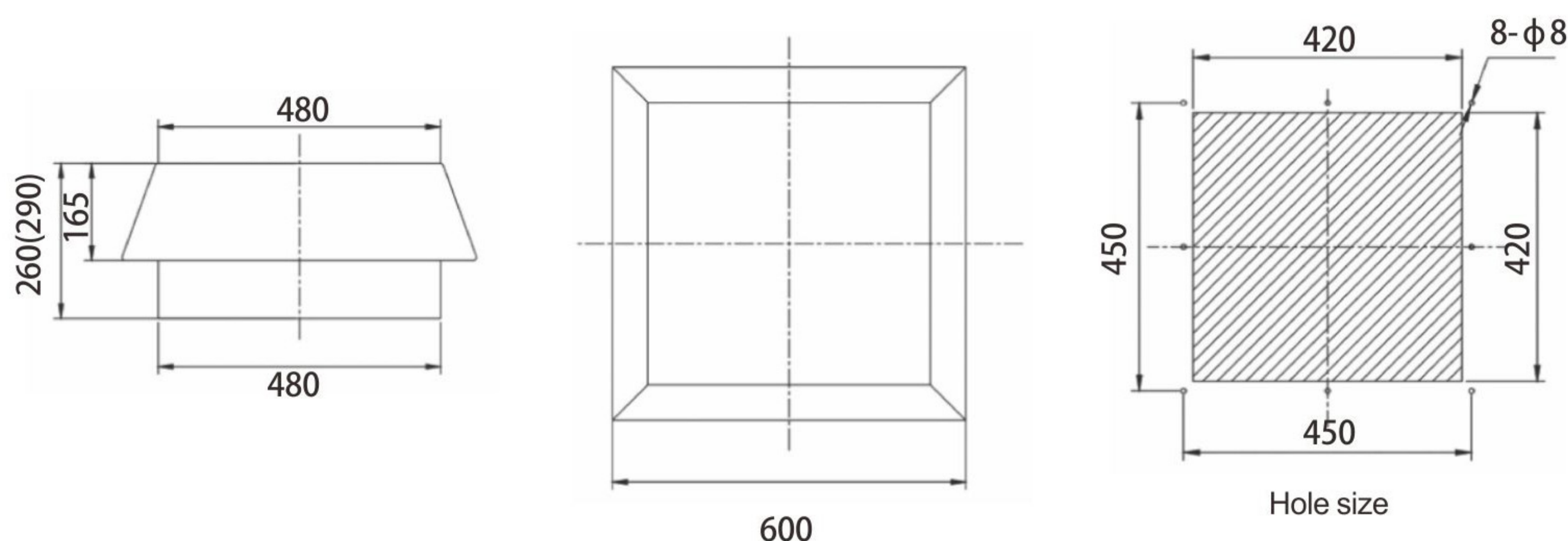




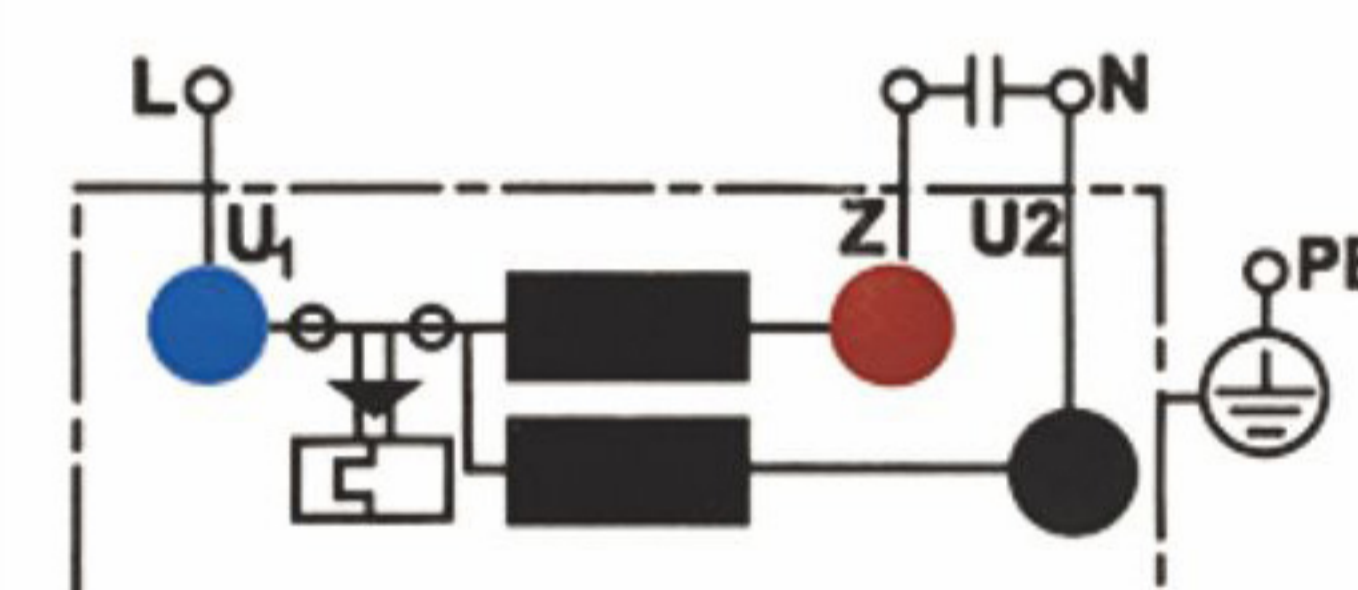
Installation conditions

- The ambient temperature should be lower than the required temperature inside the control cabinet when there is insufficient space in the cabinet to install a side mounted filter fan, top mounted fans can be considered
- The cabinet top mounted fan extracts the hot air from the top of the control cabinet while dissipating the heat inside the cabinet outside,
- The use of centrifugal fans can not only avoid the formation of vortex like whirlwinds in the discharge of ordinary shielded magnetic pole fans, but also reduce the
- The noise generated by low air friction with each other.

DIMENSION



Electrical wiring diagram



SPECIFICATION

Model	Unit	PTF60260	PTF60290
Rated voltage/frequency	V,Hz	230, 50	230, 50
Air volume	M ³ /h	2500	3150
Rated current	A	0.80-1.20	1.18
Starting form		Capacitor start	Capacitor start
Rated power	W	180-270	180-270
Noise level	DB(A)	66-68	70
Operating temperature range	°C	-10~+60	-10~+60
Overall dimensions	mm	600x260x600	600x290x600
Fan specifications	mm	Φ355	Φ400
Hole size	mm	420x420	450x450

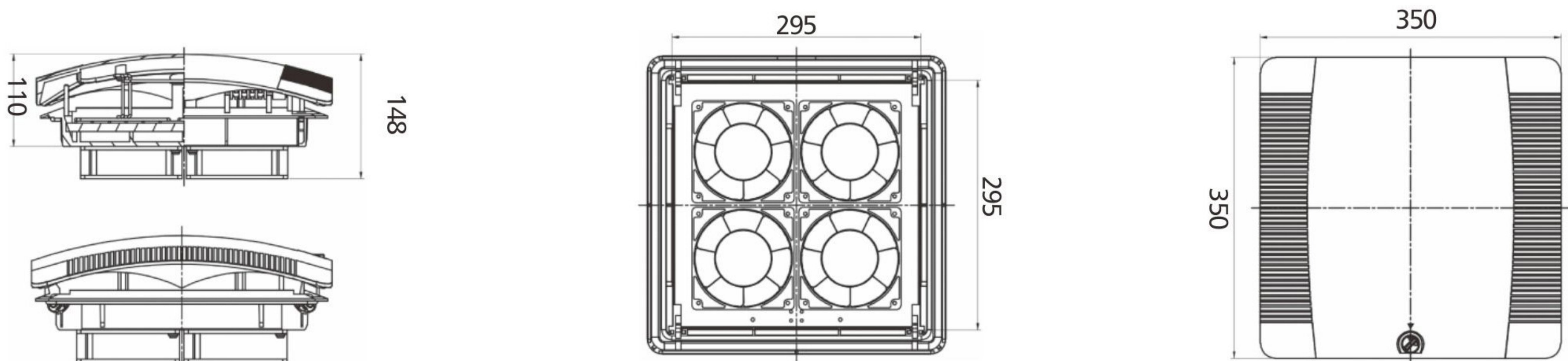
REF600.230



Characteristic

- Quick installation, can be directly buckled without the need for screws to fix
- Adjustable buckle, suitable for cabinets with different thicknesses of 1.5-3.5mm
- IP32, standard g3 grade filter cotton
- Quickly replace the filter cotton without the need for tools, directly open the top knob
- Ac voltage is a standard configuration and dc voltage can be customized

DIMENSION



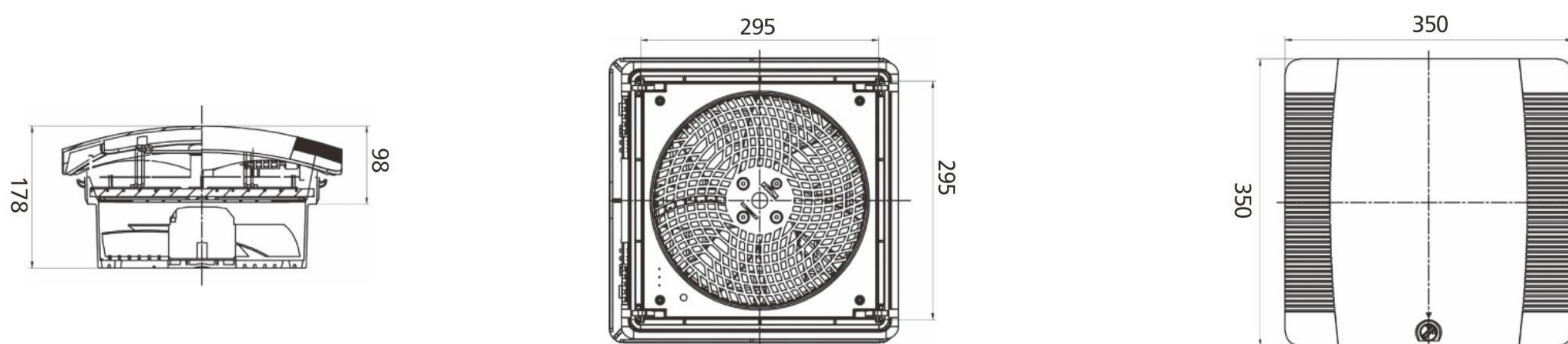
SPECIFICATION

Model	Unit	REF600.230	REF600.115	REF600.024
Rated voltage	V	230	115	24V (DC)
Rated frequency	Hz	50/60	50/60	
Air volume	m ³ /h	415-500	415-500	500
Rated current	A	0.14-0.1	0.24-0.18	0.28-0.35
Rated power	W	19-14	19-14	7.7
Noise level	dB(A)	46-48	46-48	47-49
Operating temperature range	°C	-10~+60	-10~+60	-10~+60
Overall dimensions	mm	350x350x148	350x350x148	350x350x148
Fan specifications	mm	120x120x38*4	120x120x38*4	120x120x38*4
Hole size	mm	295x295	295x295	295x295

REF700/1400.230

**Characteristic**

- Quick installation, can be directly buckled without the need for screws to fix
- Adjustable buckle, suitable for cabinets with different thicknesses of 1.5-3.5mm
- IP32, standard g3 grade filter cotton
- Quickly replace the filter cotton without the need for tools, directly open the top knob
- AC voltage is standard as a standard configuration

DIMENSION**SPECIFICATION**

Model	Unit	REF700.230	REF700.115	REF1400.230	REF1400.115
Rated voltage	V	230, 50/60	115, 50/60	230, 50/60	115, 50/60
Rated frequency	Hz	580-700	580-700	1150-1400	1150-1400
Air volume	m ³ /h	0.35-0.28	0.65-0.58	0.60-0.46	0.95-1.20
Rated current	A	Capacitor start	Capacitor start	Capacitor start	Capacitor start
Rated power	W	63-79	61-71	140-100	140-100
Noise level	dB(A)	55-57	55-57	63-65	63-65
Operating temperature range	°C	-10~+60	-10~+60	-10~+60	-10~+60
Overall dimensions	mm	350x350x178	350x350x178	350x350x178	350x350x178
Fan specifications	mm	Φ200	Φ200	Φ250	Φ250
Hole size	mm	295x295	295x295	295x295	295x295

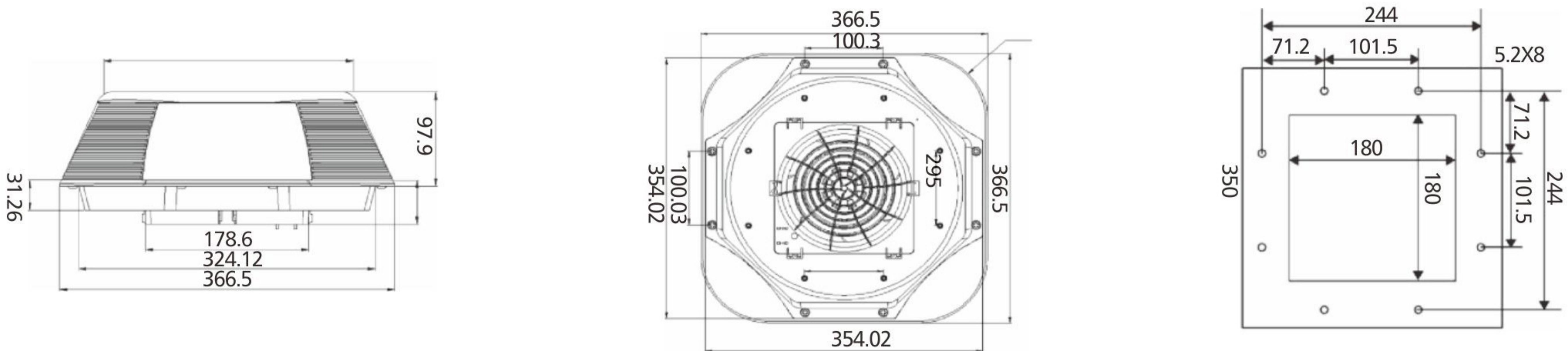
KRF.230



Technical description

- The ambient temperature should be lower than the required temperature inside the control cabinet.
- When there is insufficient space in the cabinet to install a side mounted filter fan Consider using a top mounted fan.
- The cabinet mounted fan extracts the hot air from the top of the control cabinet while dissipating the heat inside the cabinet outside, protecting the electrical components inside the control cabinet from operating within a controllable temperature range. And it does not occupy internal space,
- Centrifugal fans are mainly capable of discharging high heat loads with maximum efficiency. The use of centrifugal fans can not only avoid the formation of eddy currents in the discharge of ordinary shielded magnetic pole fans, but also reduce the noise generated by air friction

DIMENSION



SPECIFICATION

Model	Unit	KRF-670	KRF-950	KRF-1410
Rated voltage	V	230	230	230
Rated frequency	Hz	50/60	50/60	50/60
Air flow	m ³ /h	620/650	910/940	1250/1350
free discharge of air	m ³ /h	500/510	780/800	980/1020
centrifugal fan	—	Capacitor start	Capacitor start	Capacitor start
rated current	A	0.31-0.24	0.38-0.36	0.62-0.58
rated power	W	72-56	88-82	190-130
noise level	dB(A)	55-56	60-62	65-70
Operating temperature range	°C	-10~60	-10~60	-10~60

KTF.230



CHARACTERISTIC

- **Large output range and high efficiency**
Air volume output range: 500-1500m³/h
- **High protection level**
International certification and licensing
- **Color: RAL 7035**
- **Protection level, in accordance with IEC 60 529 standard: IP20**

- Installation and maintenance are very simple
- Innovative snap fasteners support flexible locking of fans from the outside or inside
- Easy electrical connection through plugs
- Easy to maintain, allowing users to quickly replace the filter pad of the fan

SPECIFICATION

Model	Unit	KTF3139.230(115V, 400V customizable)	KTF3140.230(115V, 400V customizable)	KTF3141.230 (115V, 400V customizable)
Rated voltage	V	230	230	230
Rated frequency	Hz	50/60	50/60	50/60
Air throughput(without filter mat)	m ³ /h	570/620	873/965	1300/1450
Air throughput(without filter mat)	m ³ /h	456/496	725/759	1050/1180
Rated current	A	0.27/0.22	0.56/0.43	0.99/0.88
Pre fuse current	A	6	6	6
Rated power	W	62/50	130/98	180/135
Width/Height/Depth	mm	400x133x400	400x133x400	400x133x400
Maximum installation depth	mm	34.6	34.6	34.6
Installation incision size	mm	258x258	258x258	258x258
Fan	—	Centrifugal, capacitive motor		
Operating temperature range	°C	-10~+60		
Storage Temperature Range	°C	-40~+70		

CABINET ROOF FAN

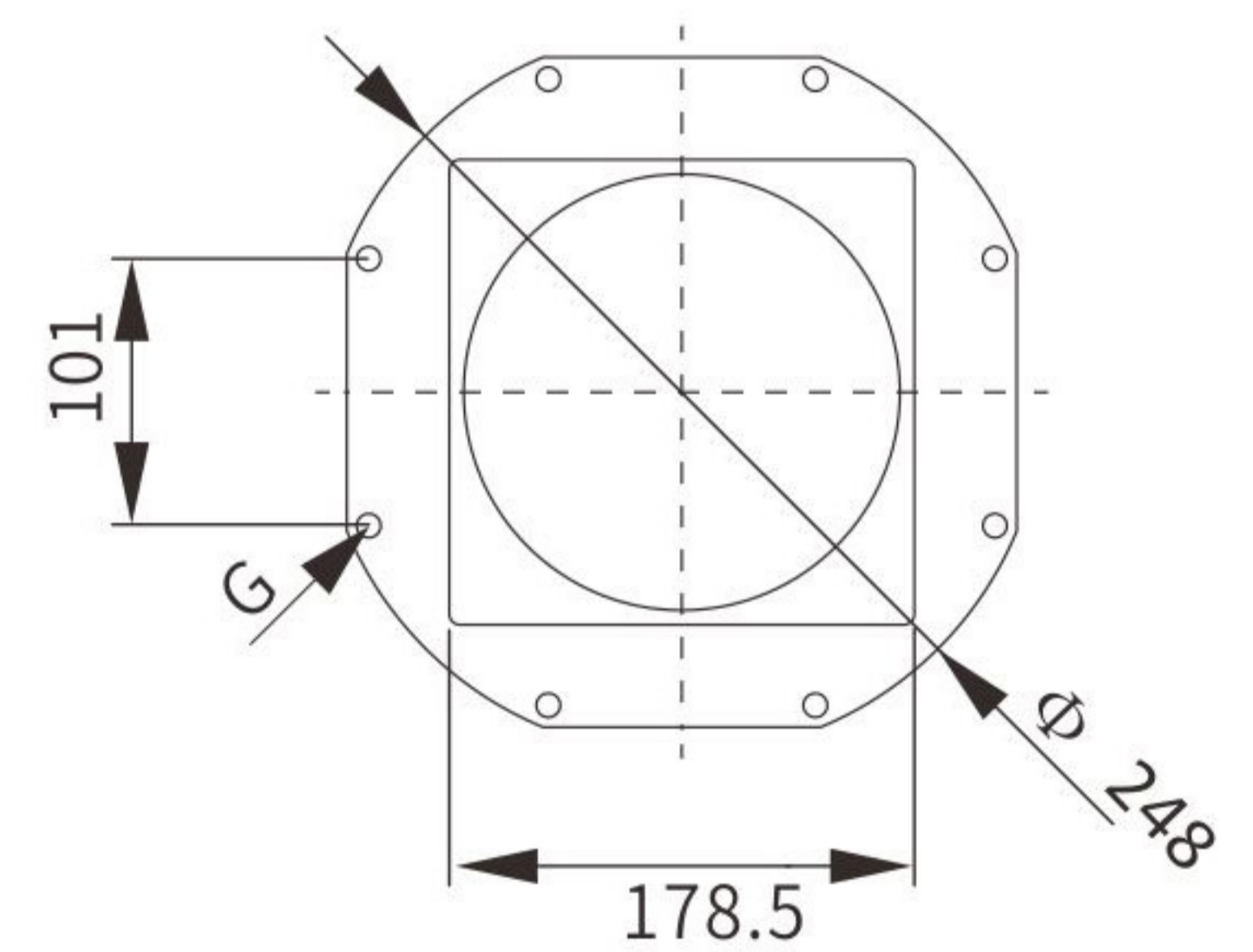
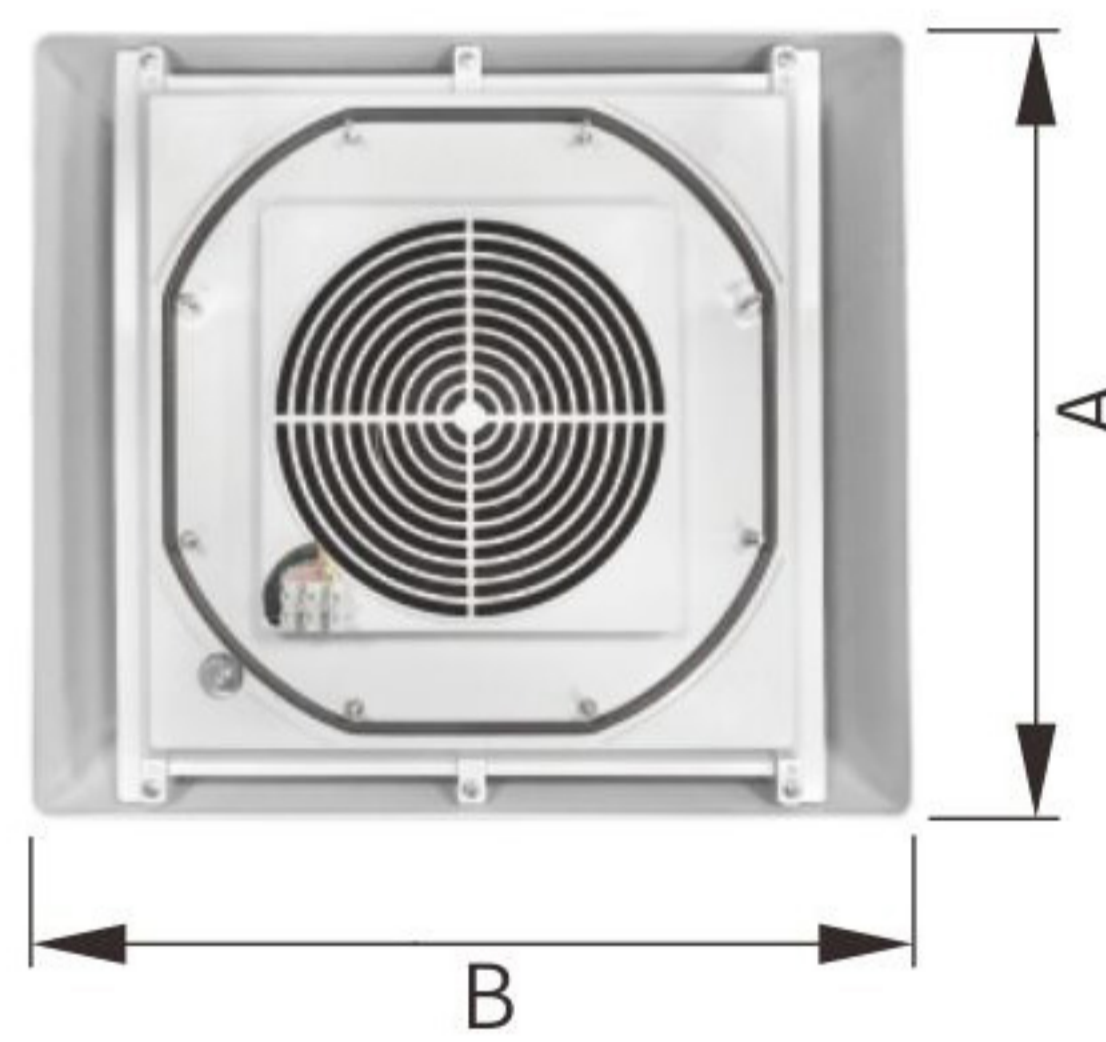
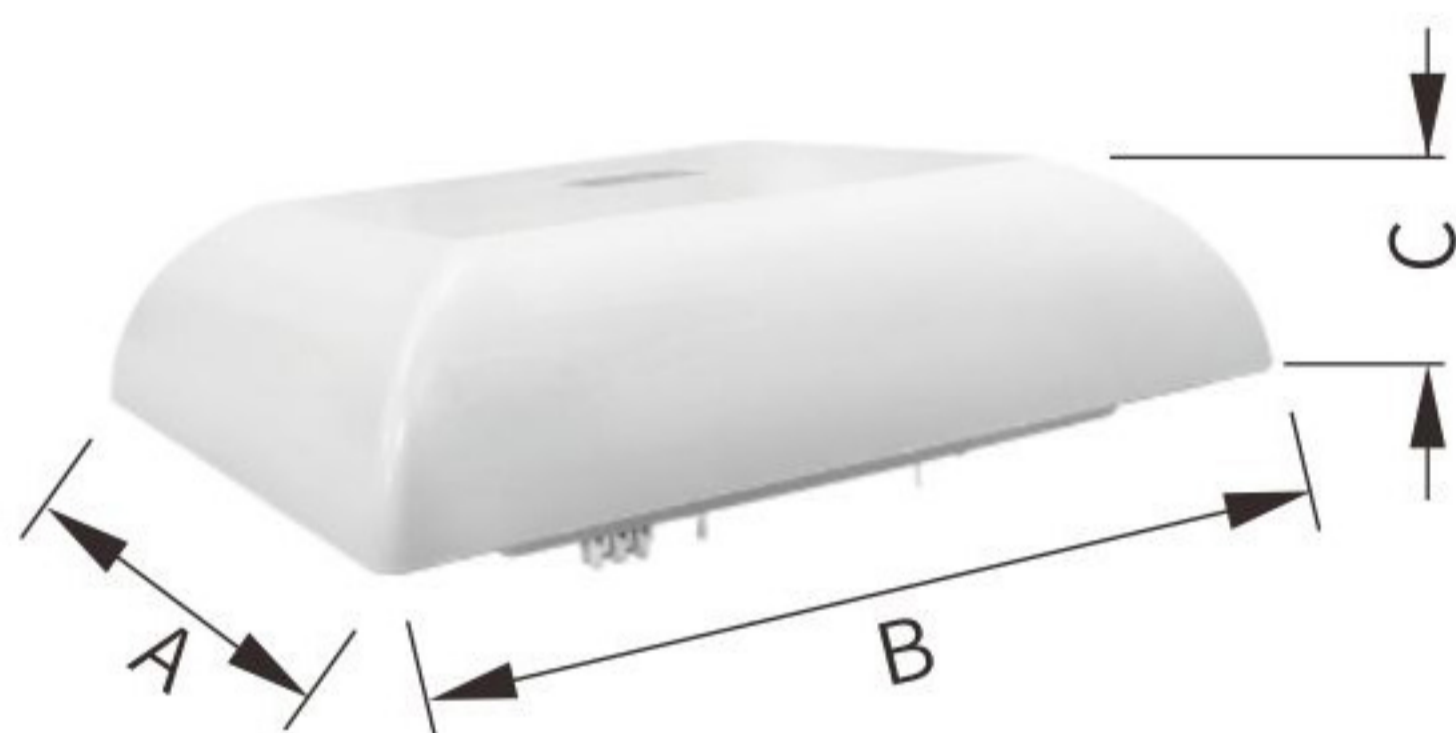
F2E

CE

F2E.230



DIMENSION



SPECIFICATION

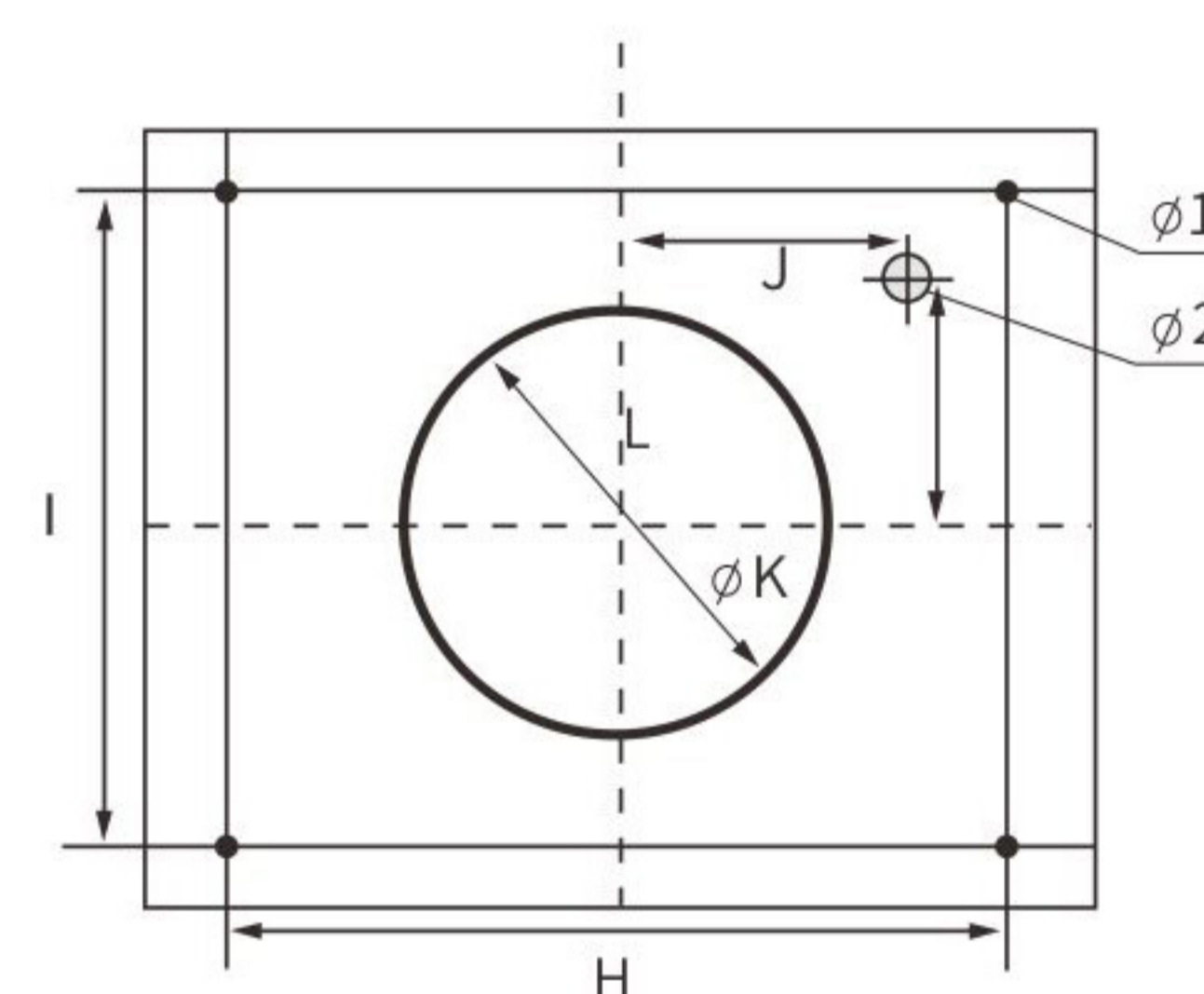
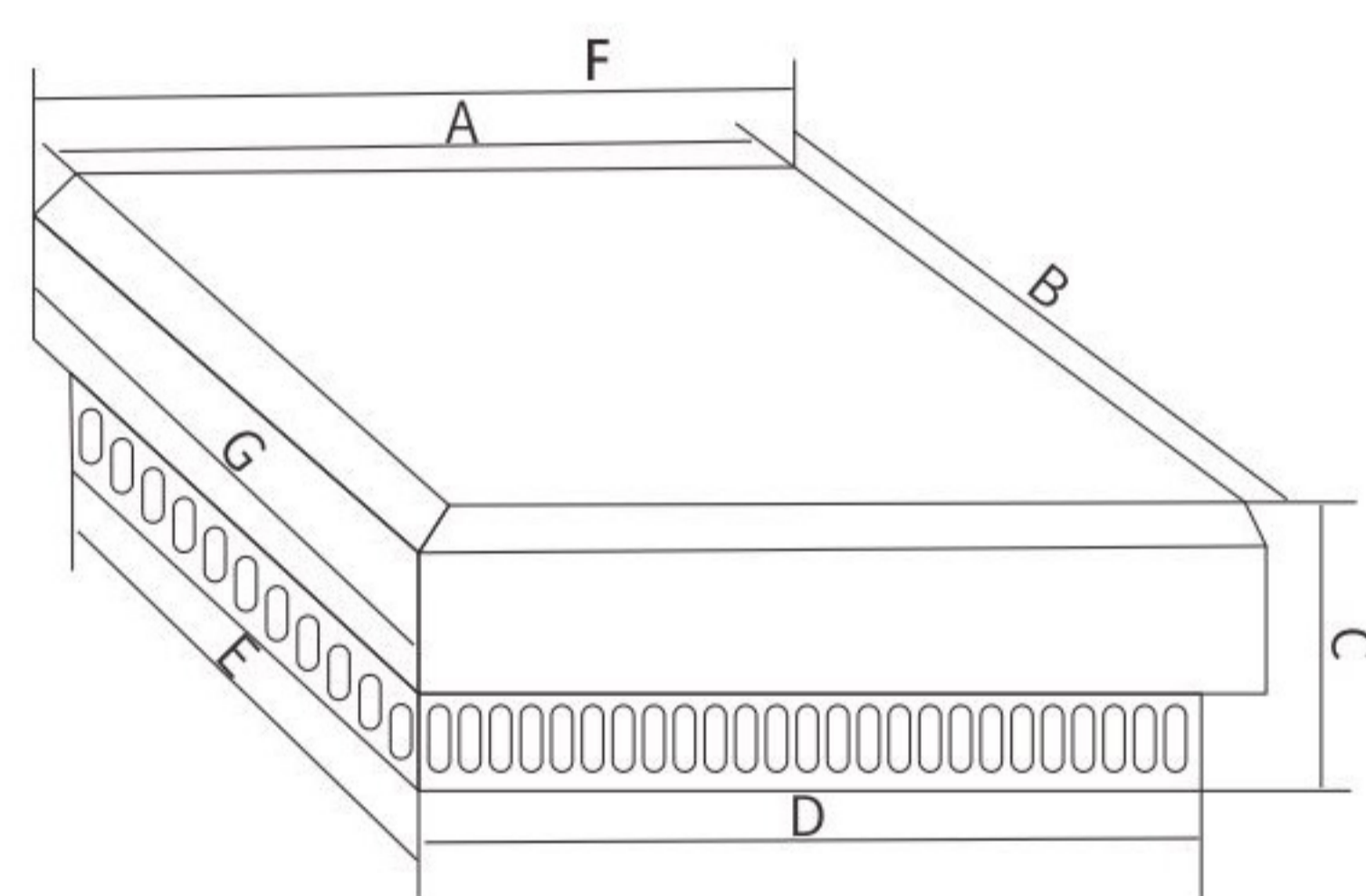
Model	A	B	C	G
F2E 190-230-DH	400	350	127	Φ5
F2E 220-230-DH	400	350	127	Φ5
F2E 225-230-DH	400	350	12	Φ5

Fan model	F2E190-230-DH	F2E220-230-DH	F2E225-230-DH
Rated working voltage v/hz	230V 50/60HZ	230V 50/60HZ	230V 50/60HZ
Air flow rate, free blowing	570/620m ³ /h	860/900m ³ /h	1200/1340m ³ /h
Air flow rate equipped with outlet filter and standard filter pad	1xLK6626.300 456/496m ³ /h	1xLK6626.300 456/496m ³ /h	1xLK6626.300 456/496m ³ /h
Rated current	0.34/0.26A	0.40/0.38A	0.88/0.60A
Power	75/58W	90/85W	200/135W
Noise level	62/64 dBA	73/74 dBA	69/71 dBA
Temperature range	-10°C~60°C	-10°C~60°C	-10°C~60°C

F2E.190



DIMENSION



SPECIFICATION

Model	A/B	C	C	D/E	F/G	H/I	J	ΦK	ΦK	ΦK	L
F2E190-230-DP	270	130	130	267	310	226.8	98.4	195	7.8	15	97
F2E 220-230-DP	270	130	130	267	310	226.8	98.4	195	7.8	15	97
F2E 225-230-DP	270	130	130	26	310	226.8	98.4	195	7.8	15	97

Fan model	F2E190-230-DP	F2E220-230-DP	F2E225-230-DH
Rated working voltage v/hz	230V 50/60HZ	230V 50/60HZ	230V 50/60HZ
Air flow rate, free blowing	570/620m ³ /h	860/900m ³ /h	1200/1340m ³ /h
Air flow rate equipped with outlet filter and standard filter pad	1xLK6626.300 456/496m ³ /h	1xLK6626.300 688/540m ³ /h	1xLK6626.300 456/496m ³ /h
Rated current	0.34/0.26A	0.40/0.38A	0.88/0.60A
Power	75/58W	90/85W	200/135W
Noise level	62/64 dBA	73/74 dBA	69/71 dBA
Temperature range	-10°C~60°C	-10°C~60°C	-10°C~60°C