

LINKWELL[®]
ELECTRIC

THERMAL SOLUTION PRODUCTS

EDITION 2023/2024





APPLICATION AREA



- **Application area, Wind power:**
Wind power is the conversion of wind kinetic energy into electrical energy. As a clean and renewable energy source, wind energy is receiving more and more attention from all countries in the world.
- **Charging pile:**
The Chinese government actively promotes the application and development of new energy vehicles, and the replacement of power stations as an important supporting infrastructure necessary for the development of electric vehicles has very important social and economic benefits.
- **Automatic robot:**
The cutting-edge technology of the industry is AI (Artificial Intelligence), an intelligent robot. Automation is the general trend of the future society, and it is more and more closely related to communication engineering and CS (computer science).
- **Photovoltaic:**
The main principle of photovoltaic power generation is the photoelectric effect of semiconductors. When a photon is irradiated onto a metal, its energy can be completely absorbed by some electron in the metal.
- **High and new technology industry:**
The high-tech industry mainly includes three major fields: information technology, biotechnology and new materials technology.
- **Cabinet and electrical complete set:**
As an important supporting infrastructure for the development of electric vehicles, charging and replacing power stations have very important social and economic benefits. LINKWELL ELECTRIC products are widely used in the charging pile industry, making the equipment more stable and efficient in operation.
- **Infrastructure**
Provide all-round service for customer's system integration solution.

Wall mounted fan-filter •

Thermostat, heater •

Bus bar system •

Cable entry system •

• Roof fan

• Panel lamp

• Distribution Terminal block

• KE AL/CU terminal

• Signal Indicator, Push-button

• DIN rail, wiring duct

• Other accessories



LINKWELL ELECTRIC is a professional company engaged in low voltage electrical products for switchgear board and automation industry , such as panel ventilation fan filter ,heater, thermostat, control transformer, terminal blocks, wiring duct and other panel accessories.

Through our decades' efforts and development LINKWELL now becomes a group company with several factories by entirely holding or partly holding, not only self-production but also few trading, in order to provide one- stop- solution of panel accessories for panel builder.

Our main markets are European countries, Americans, Middle East, South Asia and China, you can find us in more than 60 countries all over the world, well-known with good reputation in the market for the sake of our sustainable quality and competitive prices, kind and prompt services to clients, our main partners are those reputable companies like: ABB, SIEMENS, SCHNEIDER electrics, ROCKWELL automation,CHINT.



LINKWELL ELECTRIC policy is to offer a full support to Clients:

- pre-after sales assistance
- customized products
- fast delivery
- monitoring customers' satisfaction

Rather than a supplier, LINKWELL ELECTRIC aims to be a Client's industrial PARTNER our company always pays special attention to protecting the benefits of clients' so that both of us can gain the better benefits from the relations between us.

We warmly look forward to establishing, reinforcing and expanding long term fruitful relationship with the reliable clients all over the world.

Let's get busy and pull together to create a better future!



Innovation Quality Global

COMPANY MISSION

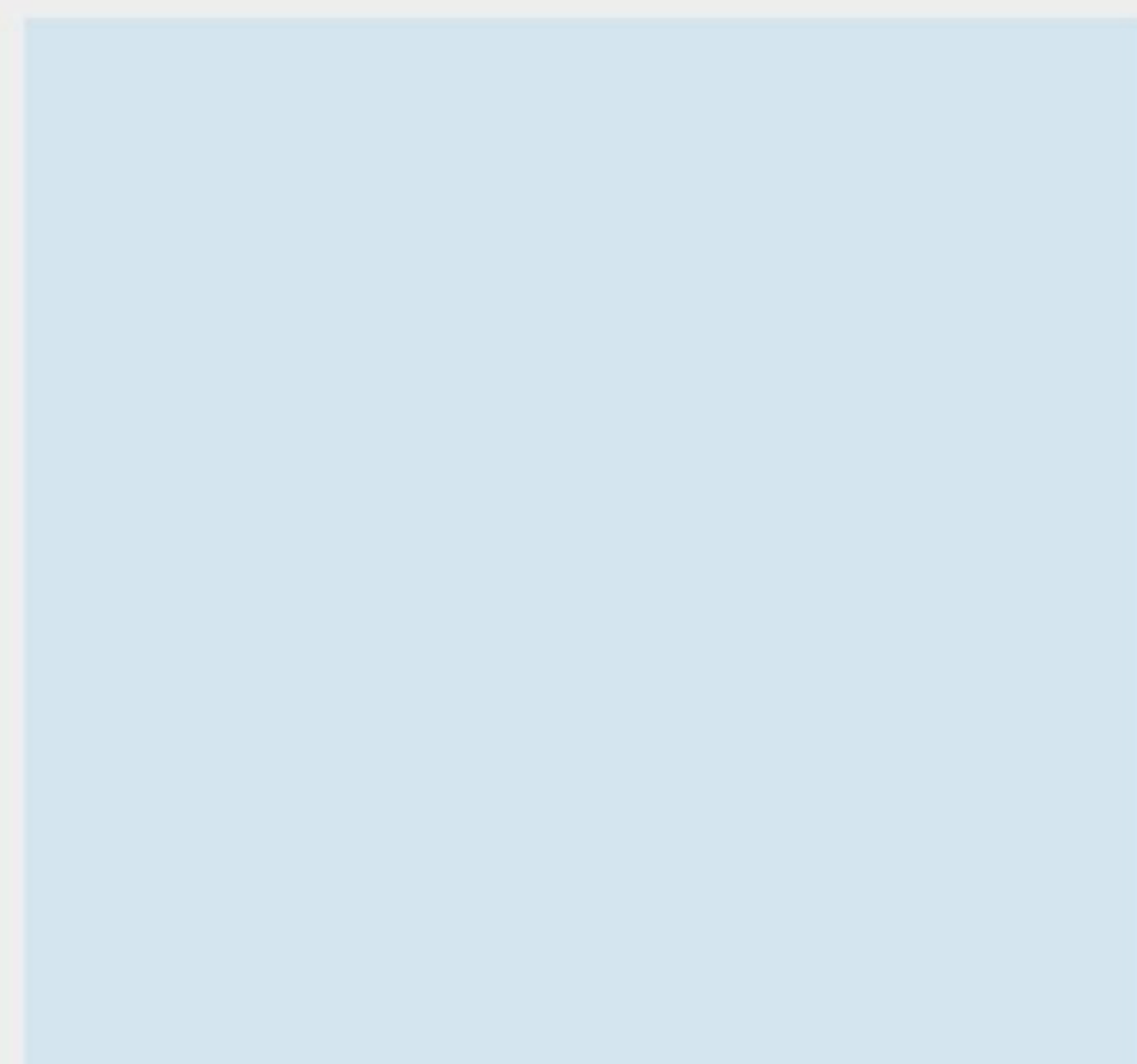
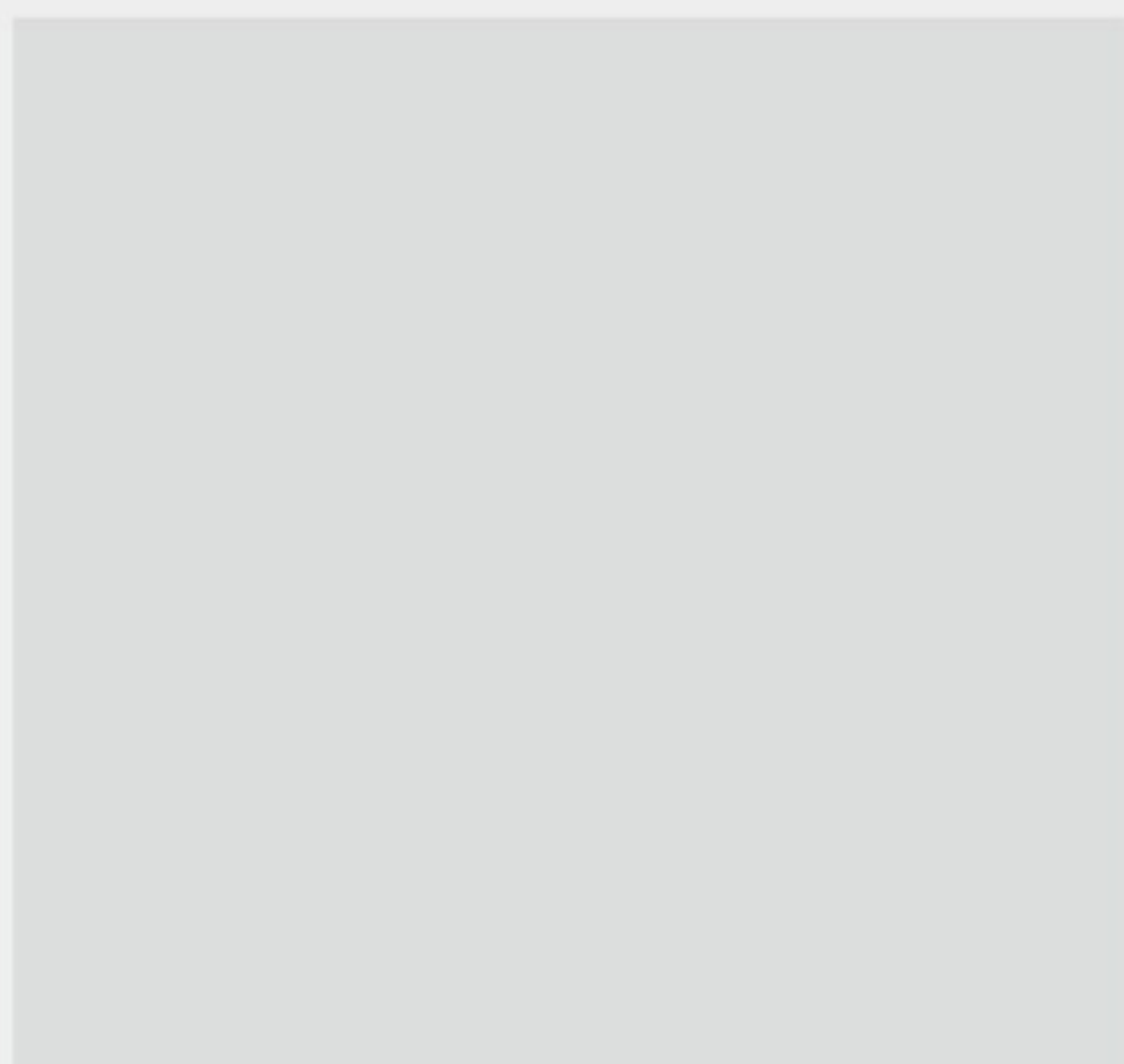
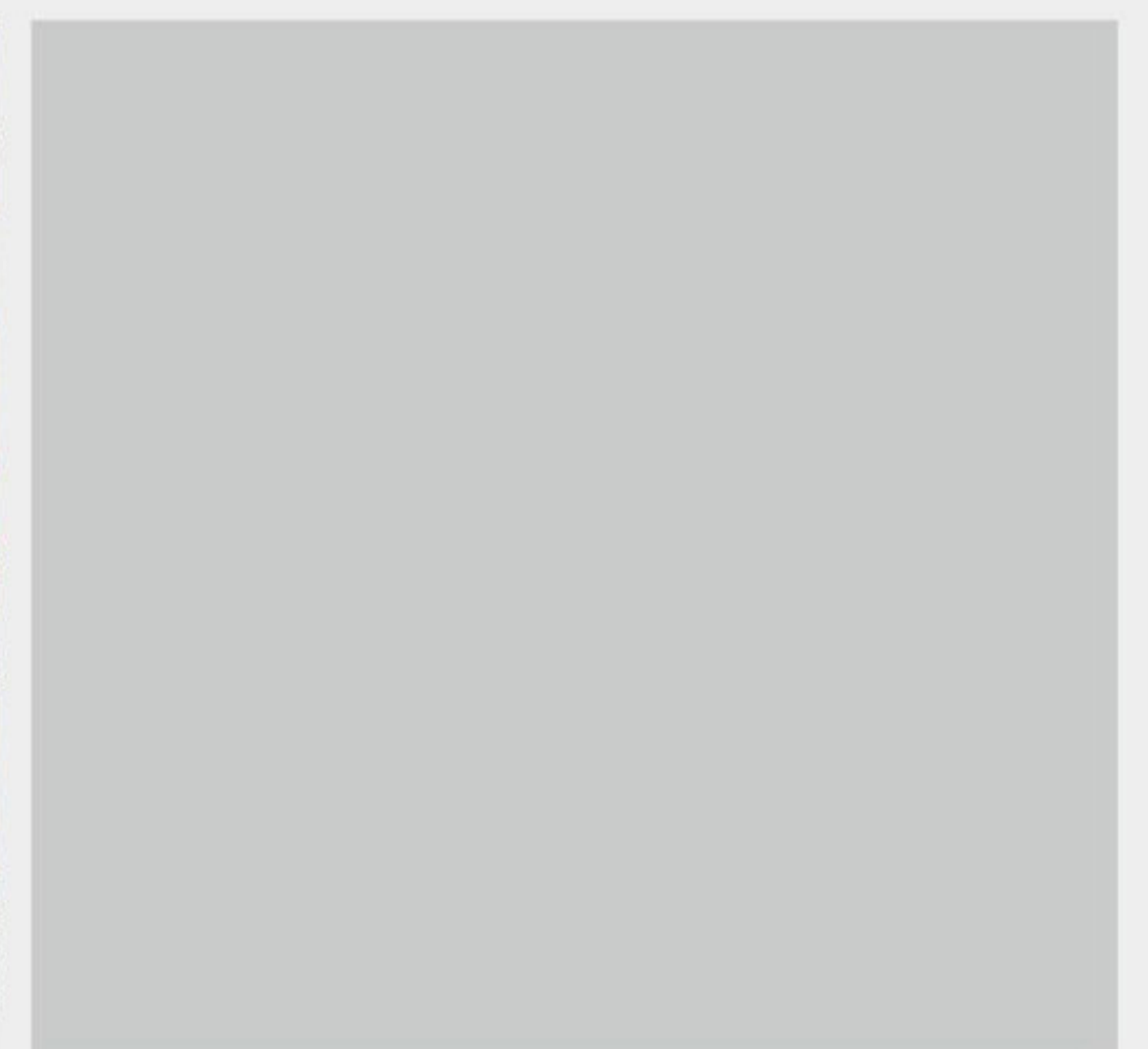
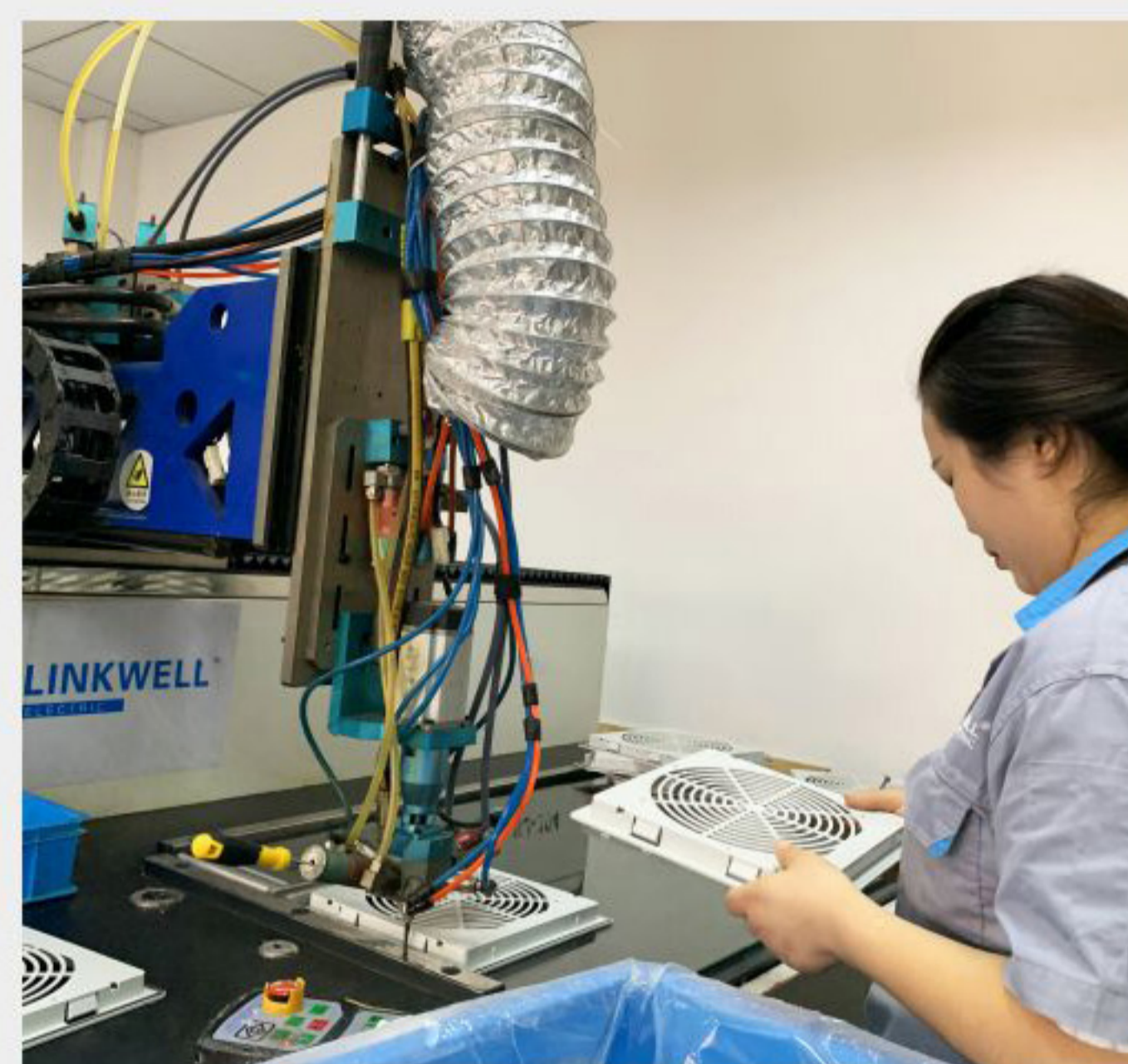
To win respect of "Made in China" from the world

COMPANY VALUE

Realize the dream for employees
Create value for customers
Take responsibilities for the society

COMPANY VISION

To be a global and well-known brand,
one stop solution supplier for electrical cabinet components



LK SERIES FAN-AND-FILTER

Energy saving, environmental protection, and efficient product performance meet the requirements of temperature control systems



Power Supply Work Indicator (optional)



Easy Replacement of Filter Pad



Different Colors Can Be Customized



LK32 SERIES

LK3237 Fan-and-filter



RoHS



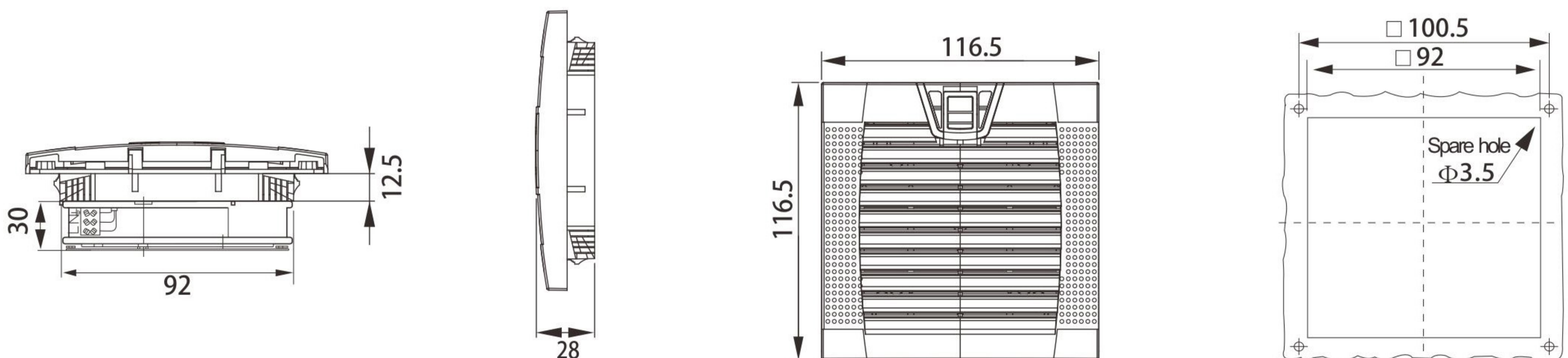
LK3237 .230



LK3237 .300



DIMENSION



SPECIFICATION

Fan filter model	LK3237.230	LK3237.115	LK3237.024
Rated voltage	220V-240V	110V-120V	24V
Rated frequency	50/60 Hz	50/60 Hz	—
Air flow rate, free blowing	25/35 m ³ /h	25/35 m ³ /h	35 m ³ /h
Air flow rate, Equipped with outlet filterstandard filter pad	1 x LK3237.300: 20-25 m ³ /h		
Axial flow fan	Self starting shaded pole motor		
Rated current	0.07A/0.06A	0.14A/0.13A	0.18A
Power	13/12W	13/12W	4.3W
Noise level	37/41dB(A)	37/41dB(A)	41dB(A)
Operating temperature range	-30°C - +70°C	-30°C- +70°C	-30°C- +70°C
Outlet filter model	LK3237.300	LK3237.300	LK3237.300
Material	Made of injection-moulded thermoplastic, self-extinguishing UL94V0		
Air flow direction	Air-in as default;air-out optional		
Protection Level	IP54		



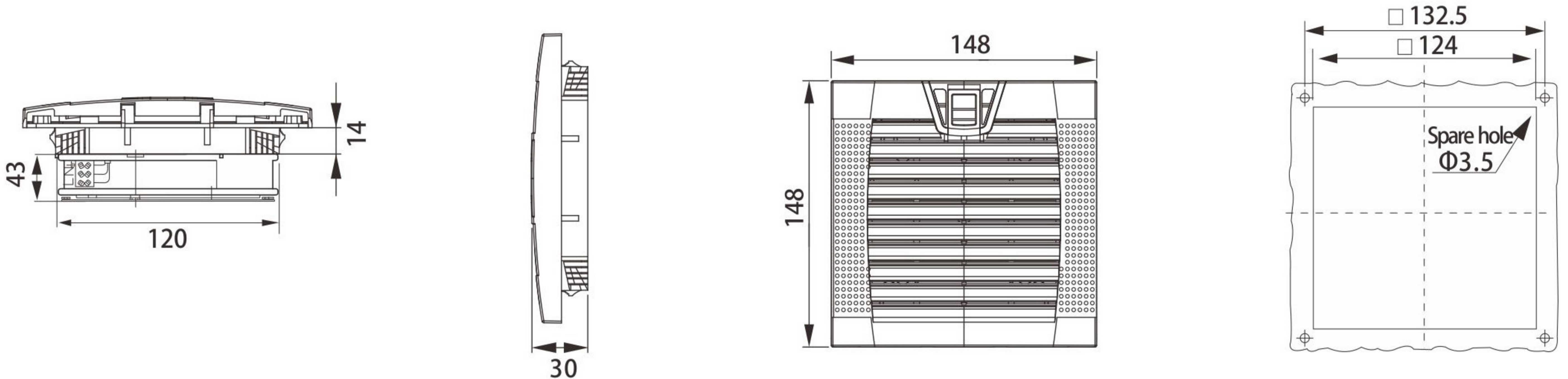
LK3238 .230



LK3238 .300



DIMENSION



SPECIFICATION

Fan filter model	LK3238.230	LLK3238.115	LK3238.024
Rated voltage	220V-240V	110V-120V	24V
Rated frequency	50/60	50/60	—
Air flow rate, free blowing	65/85m ³ /h	65/85m ³ /h	85m ³ /h
Air flow rate, Equipped with outlet filterstandard filter pad	1×LK3238.300:55/70m ³ /h		
Axial flow fan	Self starting shaded pole motor		
Rated current	0.12A/0.11A	0.24A/0.22A	0.35A
Power	19/18W	19/18W	7.7W
Noise level	41/42dB(A)	41/42dB(A)	41dB(A)
Operating temperature range	-30°C- +70°C	-30°C - +70°C	-30°C- +70°C
Outlet filter model	LK3238.300	LK3238.300	LK3238.300
Material	Made of injection-moulded thermoplastic, self-extinguishing UL94V0		
Air flow direction	Air-in as default;air-out optional		
Protection Level	IP54		

LK32 SERIES

LK3239 Fan-and-filter

CE RoHS



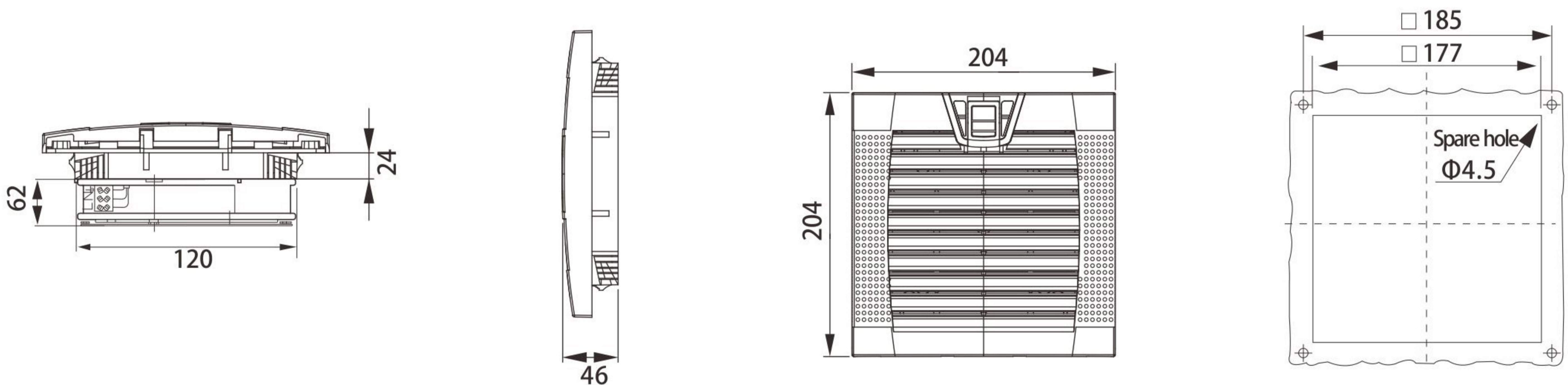
LK3239 .230



LK3239 .300



DIMENSION



SPECIFICATION

Fan filter model	LK3239.230	LK3239.115	LK3239.024
Rated voltage	220V-240V	110V-120V	24V
Rated frequency	50/60	50/60	—
Air flow rate, free blowing	105/126m ³ /h	105/126m ³ /h	126m ³ /h
Air flow rate, Equipped with outlet filterstandard filter pad	1×LK3239.300:78/90m ³ /h		
Axial flow fan	Self starting shaded pole motor		
Rated current	0.12A/0.11A	0.24A/0.22A	0.35A
Power	19/18W	19/18W	7.7W
Noise level	41/42dB(A)	41/42dB(A)	41dB(A)
Operating temperature range	-30°C - +70°C	-30°C - +70°C	-30°C - +70°C
Outlet filter model	LK3239.300	LK3239.300	LK3239.300
Material	Made of injection-moulded thermoplastic, self-extinguishing UL94V0		
Air flow direction	Air-in as default;air-out optional		
Protection Level	IP54		



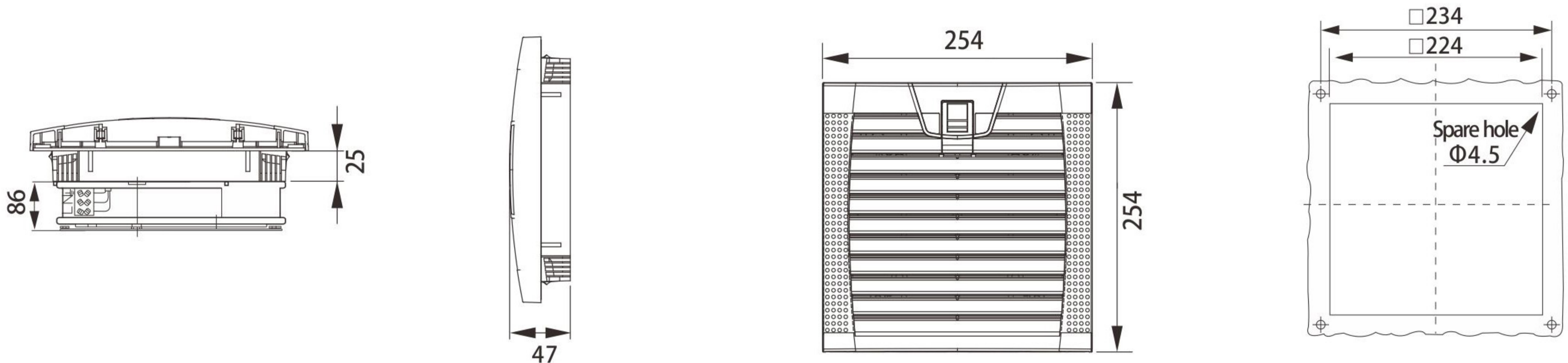
LK3240-P .230



LK3240-P .300



DIMENSION



SPECIFICATION

Fan filter model	LK3240-P.230	LK3240-P.230	LK3240-P.024
Rated voltage	220V-240V	220V-240V	24V
Rated frequency	50/60	50/60	—
Air flow rate, free blowing	220/240m ³ /h	220/240m ³ /h	240m ³ /h
Air flow rate, Equipped with outlet filterstandard filter pad	1×LK3240.300:155/185m ³ /h		
Axial flow fan	Self starting shaded pole motor		
Rated current	0.24A/0.22A	0.48A/0.46A	0.58A
Power	38/36W	38/36W	14W
Noise level	50/52dB(A)	50/52dB(A)	50dB(A)
Operating temperature range	-30°C - +70°C	-30°C - +70°C	-30°C - +70°C
Outlet filter model	LK3240.300	LK3240.300	LK3240.300
Material	Made of injection-moulded thermoplastic, self-extinguishing UL94V0		
Air flow direction	Air-in as default;air-out optional		
Protection Level	IP54		

LK32 SERIES

LK3240-M Fan-and-filter



RoHS



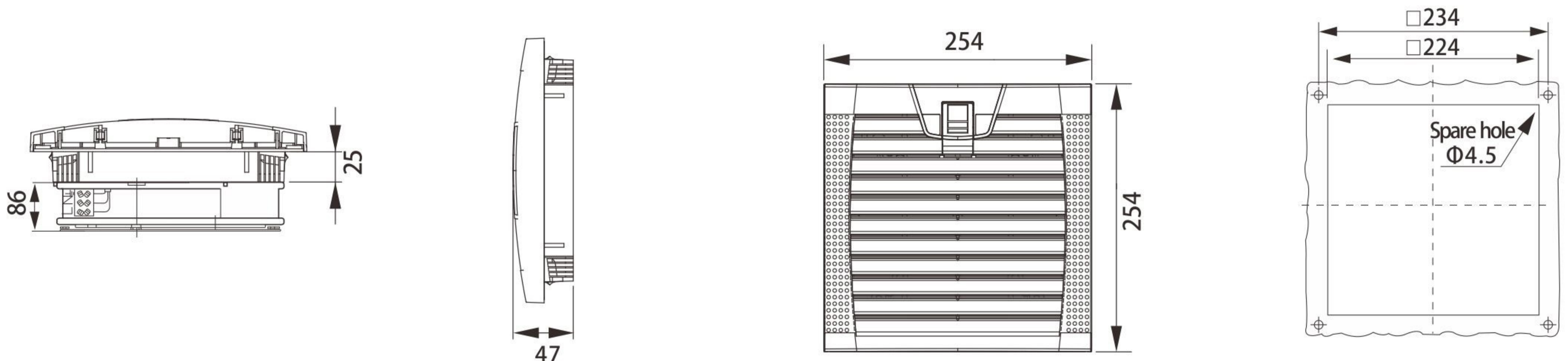
LK3240-M .230



LK3240-M .300



DIMENSION



SPECIFICATION

Fan filter model	LK3240-M.230	LK3240-M.115
Rated voltage	220V-240V	110V-120V
Rated frequency	50/60	50/60
Air flow rate, free blowing	230/265m ³ /h	230/265m ³ /h
Air flow rate, Equipped with outlet filterstandard filter pad	1×LK3240.300:190/215m ³ /h	
Axial flow fan	Capacitor operated	
Rated current	0.30A/0.28A	0.52A/0.5A
Power	41/38W	41/38W
Noise level	50/52dB(A)	50/52dB(A)
Operating temperature range	-30°C - +70°C	-30°C - +70°C
Outlet filter model	LK3240.300	LK3240.300
Material	Made of injection-moulded thermoplastic, self-extinguishing UL94V0	
Air flow direction	Air-in as default;air-out optional	
Protection Level	IP54	



LK3243 .230

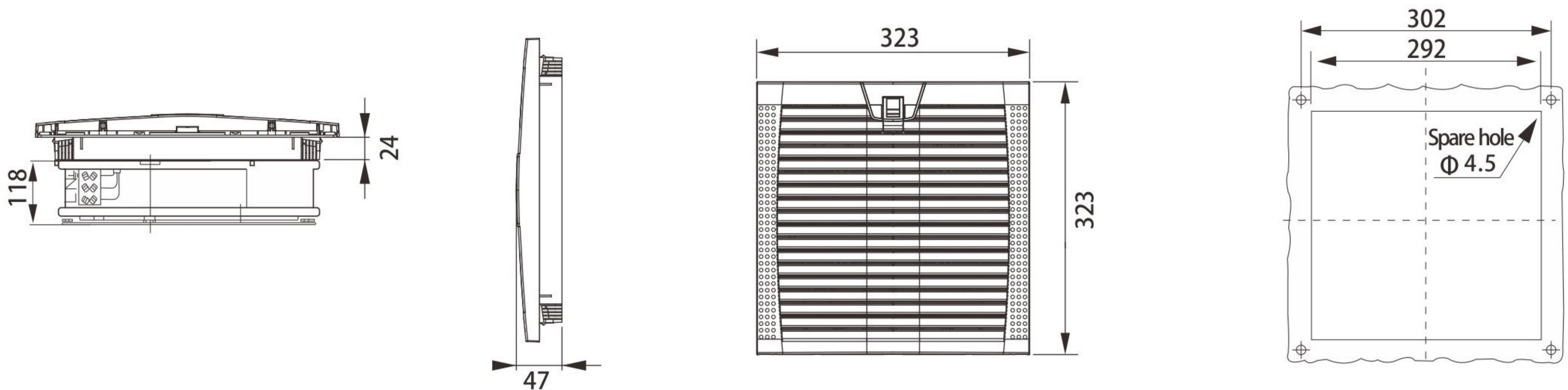


This position can be equipped with a temperature controller

LK3243 .300



DIMENSION



SPECIFICATION

Fan filter model	LK3243.230	LK3243.115
Rated voltage	220V-240V	110V-120V
Rated frequency	50/60	50/60
Air flow rate, free blowing	1150/1350m ³ /h	1150/1350m ³ /h
Air flow rate, Equipped with outlet filterstandard filter pad	1×LK3243.300:750/950m ³ /h	
Axial flow fan	Capacitor operated	
Rated current	0.52A/0.65A	0.9A/0.95A
Power	120/160W	120/160W
Noise level	70/72dB(A)	70/72dB(A)
Operating temperature range	-30°C - +70°C	-30°C - +70°C
Outlet filter model	LK3243.300	LK3243.300
Material	Made of injection-moulded thermoplastic, self-extinguishing UL94V0	
Air flow direction	Air-in as default;air-out optional	
Protection Level	IP54	

LK32 SERIES

LK3244 Fan-and-filter



RoHS



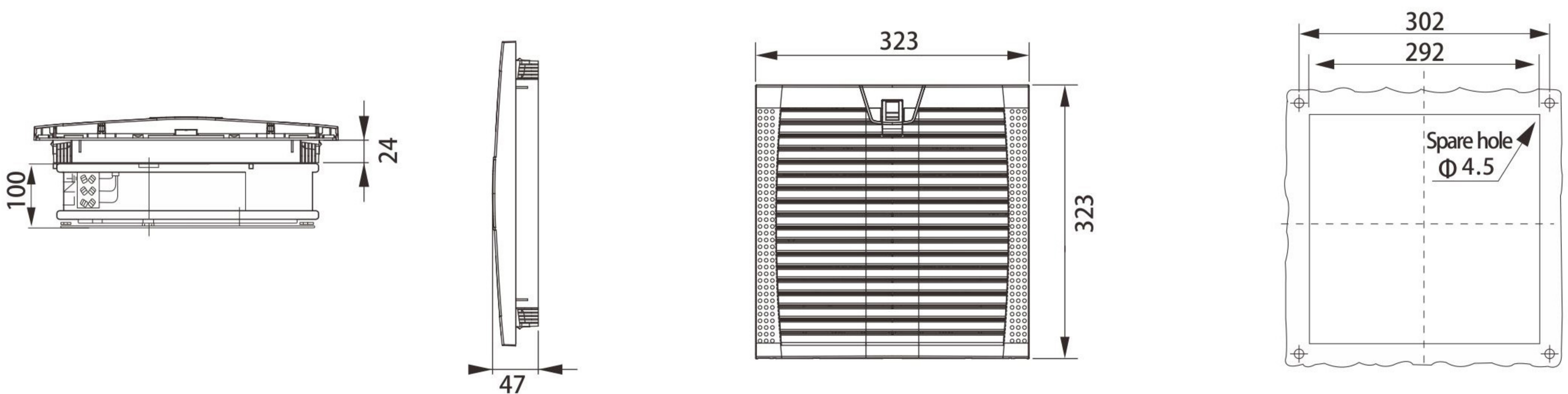
LK3243 .230



LK3243 .300



DIMENSION



SPECIFICATION

Fan filter model	LK3244.230	LK3244.115
Rated voltage	220V-240V	110V-120V
Rated frequency	50/60	50/60
Air flow rate, free blowing	550/600m ³ /h	550/600m ³ /h
Air flow rate, Equipped with outlet filterstandard filter pad	1×LK3243.300:380/410m ³ /h	
Axial flow fan	Capacitor operated	
Rated current	0.29A/0.37A	0.52/0.55A
Power	68/80W	68/80W
Noise level	62/65dB(A)	62/65dB(A)
Operating temperature range	-30°C - +70°C	-30°C - +70°C
Outlet filter model	LK3243.300	LK3243.300
Material	Made of injection-moulded thermoplastic, self-extinguishing UL94V0	
Air flow direction	Air-in as default;air-out optional	
Protection Level	IP54	



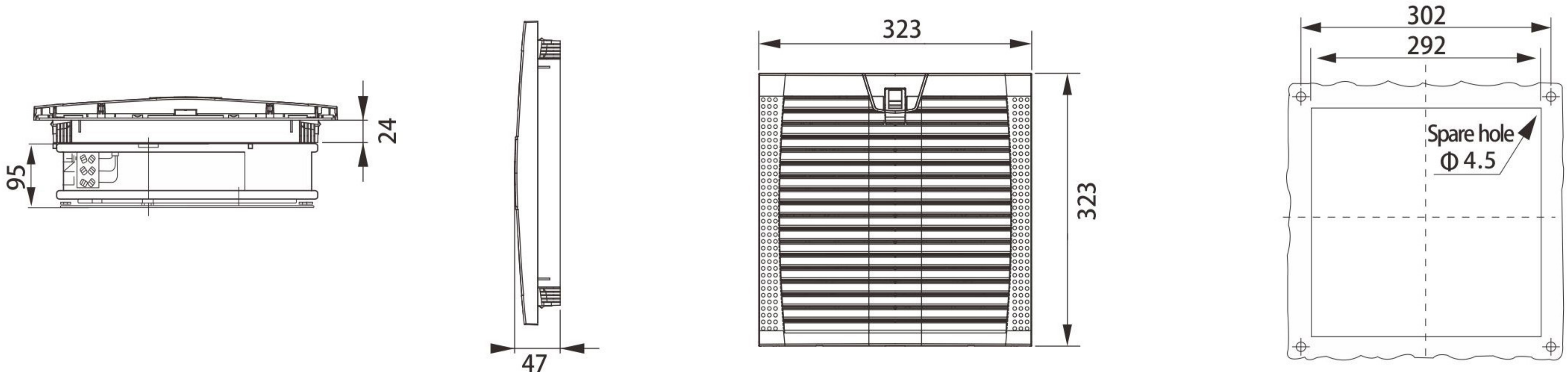
LK3245 .230



LK3243 .300



DIMENSION



SPECIFICATION

Fan filter model	LK3245.230	LK3245.115
Rated voltage	220V-240V	110V-120V
Rated frequency	50/60	50/60
Air flow rate, free blowing	1150/1350m ³ /h	1150/1350m ³ /h
Air flow rate, Equipped with outlet filterstandard filter pad	1×LK3243.300:790/950m ³ /h	
Axial flow fan	Capacitor operated	
Rated current	0.52A/0.65A	0.9/0.95A
Power	120/160W	120/160W
Noise level	70/72dB(A)	70/72dB(A)
Operating temperature range	-30°C - +70°C	-30°C - +70°C
Outlet filter model	LK3243.300	LK3243.300
Material	Made of injection-moulded thermoplastic, self-extinguishing UL94V0	
Air flow direction	Air-in as default;air-out optional	
Protection Level	IP54	