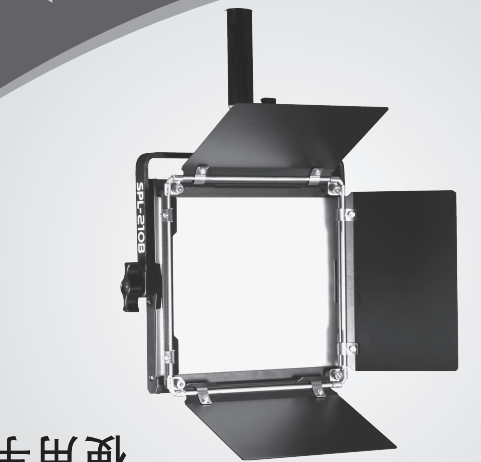


SPL 系列平板 LED 影视灯 使用手册



常州美图摄影器材有限公司
地址：常州市新北区龙虎塘新苑五路90号
电话：0519-85087171 85087172
传真：0519-85017503
Http://www.mettlecorp.cn
E-mail: mail@mettlecorp.cn

一、规格

感谢使用美图 SPL 系列平板 LED 影视灯。美图 SPL 系列影视灯采用超薄片 LED 发光元件，具有效率高、寿命长、色彩还原好等优点。采用铝制外壳散热，超薄设计，坚固且便于携带，可通过手机 APP 进行控制。本灯可广泛应用于数码摄影及电影电视拍摄，兼顾室外跟等摄影摄像创作中。

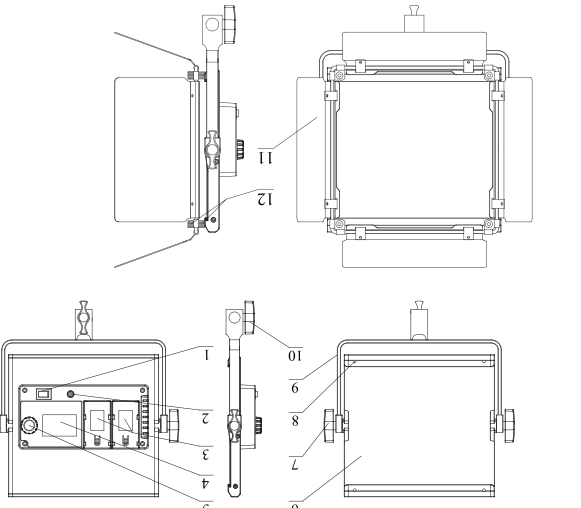
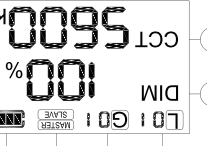


Table with 2 columns: Item No. and Description. Lists components like Power switch, LCD display, Angle adjusting and locking nut, Stand locking screw, Power input, Power/Color temperature button, Accessory mounting hole, Holder, Battery groove, LED surface, Barndoor, and Accessory mounting screw.

Table with 2 columns: Parameter and Value. Lists technical specifications such as CCT range, Color restoration, Beam angle, Blue tooth, Master/Slave, Remote distance, Adapter input, and Output power.

三、使用办法

1. 电源开关 (4) 点亮，本灯进入工作状态。将适配器插入电源输入插孔 (2)，电源开关 (1) 按向 DC 端，LCD 显示屏 (4) 点亮，本灯进入工作状态。当使用锂电池供电时，电源开关 (1) 按向 BATT 端，LCD 显示屏 (4) 点亮，本灯进入工作状态。



二、详细修改

2. 功率及色温调节：顺时针旋转一格，功率增加 1%，每逆时针旋转一格，功率降低 1%。功率调节范围为 0-100%，0 为熄灭状态，100% 为全功率状态。按功率/色温调节按钮 (5)，可在 DIM 和 CCT 之间切换，当 CCT 闪烁时，此时每顺时针旋转一格，色温增加 50K，每逆时针旋转一格，色温降低 50K。色温调节范围为 3200-5600K。

3. 灯号/组号/主从模式设置：按下手机软件“METTLE”，也可在手机上进行修改及设置。再次按功率/色温调节按钮 (5)，主从模式 (S/M) 闪烁，此时按功率/色温调节按钮可选择主从模式。改变灯号：再次按功率/色温调节按钮 (5)，组号“G” (G) 闪烁，此时按功率/色温调节按钮可改变灯号。同时发送信号，让其他同组灯亮度变为与之参数相同。主从模式 (S/M) 闪烁，此时按功率/色温调节按钮 (5)，组号“G” (G) 闪烁，此时按功率/色温调节按钮可改变灯号。同时发送信号，让其他同组灯亮度变为与之参数相同。主从模式 (S/M) 闪烁，此时按功率/色温调节按钮 (5)，组号“G” (G) 闪烁，此时按功率/色温调节按钮可改变灯号。同时发送信号，让其他同组灯亮度变为与之参数相同。

4. 主从模式 (MASTER)：可接收接收信号，实现同组灯光控制。当同组灯光中有参数调整时，同组灯光亮度会自动熄灭。LCD 显示屏中有电量显示 (E)，当电量不足时，电量显示下降，电量显示为一格时，表明此时需给锂电池充电。如继续使用，当电量耗尽时，本灯会自动熄灭。

六、故障排除

当使用过程中及灯体故障时，严格按照故障排除 LED 发光体部分，以免引起故障及损坏 LED。下载软件：扫描二维码。

7. 恢复出厂设置：将四个附件螺钉分别拧入附件孔 (8)，故上外壳盖 (8)，放上外壳盖后，再分别拧入四个附件螺钉，将壳盖就安装完成了。

四、注意事项：1. 本灯在使用过程中及灯体故障时，严格按照故障排除 LED 发光体部分，以免引起故障及损坏 LED。2. 请勿将灯体摔落，影响灯体寿命。3. 请勿将灯体浸入水中。4. 请勿将灯体置于潮湿、多尘处，切忌本产品受潮或水淋。5. 不要将本产品置于高温或低温、潮湿、多尘处，切忌本产品受潮或水淋。6. 请勿将本产品置于潮湿、多尘处，切忌本产品受潮或水淋。7. 请勿将本产品置于潮湿、多尘处，切忌本产品受潮或水淋。8. 请勿将本产品置于潮湿、多尘处，切忌本产品受潮或水淋。9. 请勿将本产品置于潮湿、多尘处，切忌本产品受潮或水淋。10. 请勿将本产品置于潮湿、多尘处，切忌本产品受潮或水淋。

五、装箱单：1. 灯体 2. 电源线 3. DC15V 适配器 4. 说明书/保修卡

Table with 2 columns: Description and Cause. Lists troubleshooting steps for issues like No reaction after power on, Battery power test, and LCD display incomplete or backlight off.

Table with 2 columns: Cause and Trouble-shooting. Lists troubleshooting steps for issues like Dimmer knob on 0%, Power adapter not match, Low battery, and Circuit board damaged.

六、故障排除：当使用过程中，第可能遇到以下问题：1. 灯体不亮或闪烁：检查电源开关是否打开，电源线是否连接正确。2. 亮度不足：检查功率/色温调节按钮是否按到正确位置。3. 灯号/组号设置错误：检查手机 APP 设置是否正确。4. 主从模式设置错误：检查手机 APP 设置是否正确。5. 电量不足：检查锂电池电量是否充足，及时充电。6. 无法开机：检查电源开关是否打开，电源线是否连接正确。7. 无法关机：检查电源开关是否按到正确位置。8. 无法调节亮度/色温：检查功率/色温调节按钮是否按到正确位置。9. 无法调节灯号/组号：检查手机 APP 设置是否正确。10. 无法调节主从模式：检查手机 APP 设置是否正确。



四、 Troubleshooting: When using this product, you may encounter the following problems: 1. No reaction after power on: Check if the power switch is turned on, and if the power cable is connected correctly. 2. Battery power test: Check the battery capacity shown on the LCD display. 3. LCD display incomplete or backlight off: Check if the LCD display is damaged.

Table with 2 columns: Description and Cause. Lists troubleshooting steps for issues like No reaction after power on, Battery power test, and LCD display incomplete or backlight off.

Table with 2 columns: Cause and Trouble-shooting. Lists troubleshooting steps for issues like Dimmer knob on 0%, Power adapter not match, Low battery, and Circuit board damaged.

五、 Packing: 1. Light body 2. Power cable 3. DC15V adapter 4. Manual

六、 故障排除: 当使用过程中，第可能遇到以下问题：1. 灯体不亮或闪烁：检查电源开关是否打开，电源线是否连接正确。2. 亮度不足：检查功率/色温调节按钮是否按到正确位置。3. 灯号/组号设置错误：检查手机 APP 设置是否正确。4. 主从模式设置错误：检查手机 APP 设置是否正确。5. 电量不足：检查锂电池电量是否充足，及时充电。6. 无法开机：检查电源开关是否打开，电源线是否连接正确。7. 无法关机：检查电源开关是否按到正确位置。8. 无法调节亮度/色温：检查功率/色温调节按钮是否按到正确位置。9. 无法调节灯号/组号：检查手机 APP 设置是否正确。10. 无法调节主从模式：检查手机 APP 设置是否正确。

五、 Power indicator: The LCD display shows power indicator (E), when battery low, the power indicator decrease. Such as one grid on indicator, need to charge battery; if keep to use, the light will off automatically until the battery no power. 六、 Barndoor install: Screw 4 piece accessory mounting screw to accessory mounting hole (8), put on a barndoor, screw accessory mounting screw. 七、 Restore factory setting: Press power/color temperature button (5) 8s until LCD display flicker.

四、 Master/Slave Mode: MASTER: Transmitter and receiver to control same group lights. When adjust light parameter in one group, can synchronously change all lights to the same parameter in the group. When adjust main light and transmitter in the same time, other group lights synchronously change. SLAVE: Only receiver to control same group lights. When adjust Master light parameter in one group, can synchronously change all lights to the same parameter in the group. Turn off Master/Slave: When there is no Master/Slave Mode on the LCD display, means turn off Master/Slave.

三、 Method of Application: 1. Power input: Connect the light power adapter to AC power, insert adapter output to power input (2), turn on power switch (1) to DC port, LCD display (4) lightens. The light can use 2xNP-F battery to power. When use battery, turn on power switch (1) to BATT port, LCD display (4) lightens. 2. Power/Color temperature adjustment: Rotate power/color temperature button (5), rotate one grid in every clockwise, power increase 1%; rotate one grid in every anticlockwise, power decrease 1%. Power range from 0 (off) to 100% (full power). Press power/color temperature button (5) to switch DIM and CCT. When CCT flicker, rotate one grid in every clockwise, color temperature increase 50K; rotate one grid in every anticlockwise, color temperature decrease 50K. The CCT range from 3200K-5600K. 3. Light No/Group No/Master/Slave Mode setting: Press power/color temperature button (5) 2-3s, Light No "L" (L) flicker, rotate power/color temperature button (5) to change Light No; press power/color temperature (5) again, Group No "G" flicker, rotate power/color temperature button (5) to change Group No; Press button again, Master/Slave flicker, rotate the button (5) to set up Master/Slave. Download APP "METTLE" to change Light No. and Group No. on the smart phone.

Table with 2 columns: CCT(K) and Color restoration. Lists technical specifications for color and brightness.

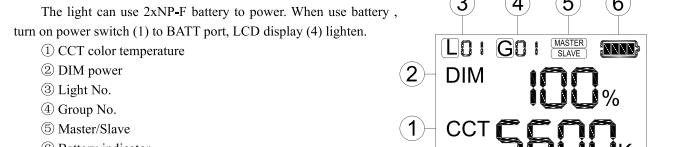
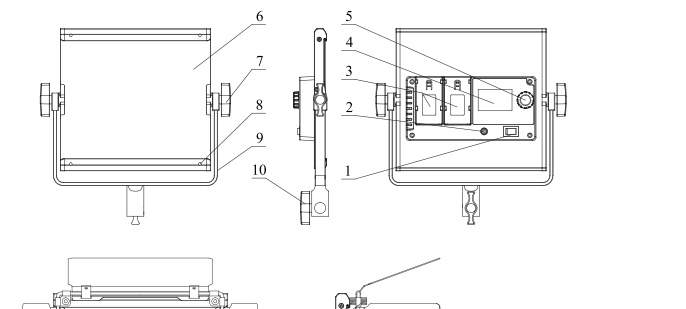
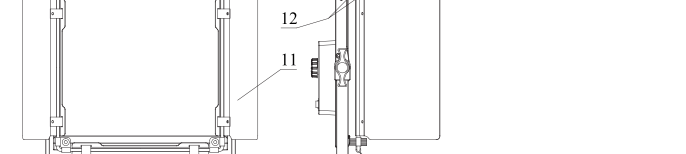


Table with 2 columns: Parameter and Value. Lists technical specifications such as CCT range, Color restoration, Beam angle, Blue tooth, Master/Slave, Remote distance, Adapter input, and Output power.

II. Product Specification

Table with 2 columns: Model and Value. Lists technical specifications for different SPL models.

11. Structure: 1. Power switch 2. Power input 3. Battery groove 4. LCD display 5. Power/Color temperature button 6. LED surface 7. Angle adjusting and locking nut 8. Accessory mounting hole 9. Holder 10. Stand locking screw 11. Barndoor 12. Accessory mounting screw



SPL Series LED Smart Panel Light: Thanks to choose Mettle SPL Series LED Smart Panel Light. Mettle SPL Series LED Smart Panel Light use high power LED. It has advantages of high luminous efficiency, long life, high CRI etc. The heat dissipation by aluminum housing directly. It is ultra-thin, stable and easy to carry. It built in blue tooth, can controlled by smart phone APP. The light is widely used in digital photography, film and TV shooting, studio video photography.

Mettle Photographic Equipment Corporation: Address: No. 90, 5th Xinyuan Road, Xinbei District, Changzhou, Jiangsu, China 213031. Tel.: +86-519-85087171 85087172. Fax.: +86-519-85017503. Http://www.mettlecorp.cn E-mail: Mail@mettlecorp.cn

SPL Series LED Smart Panel Light Instruction Manual



Mettle® Studio Systems