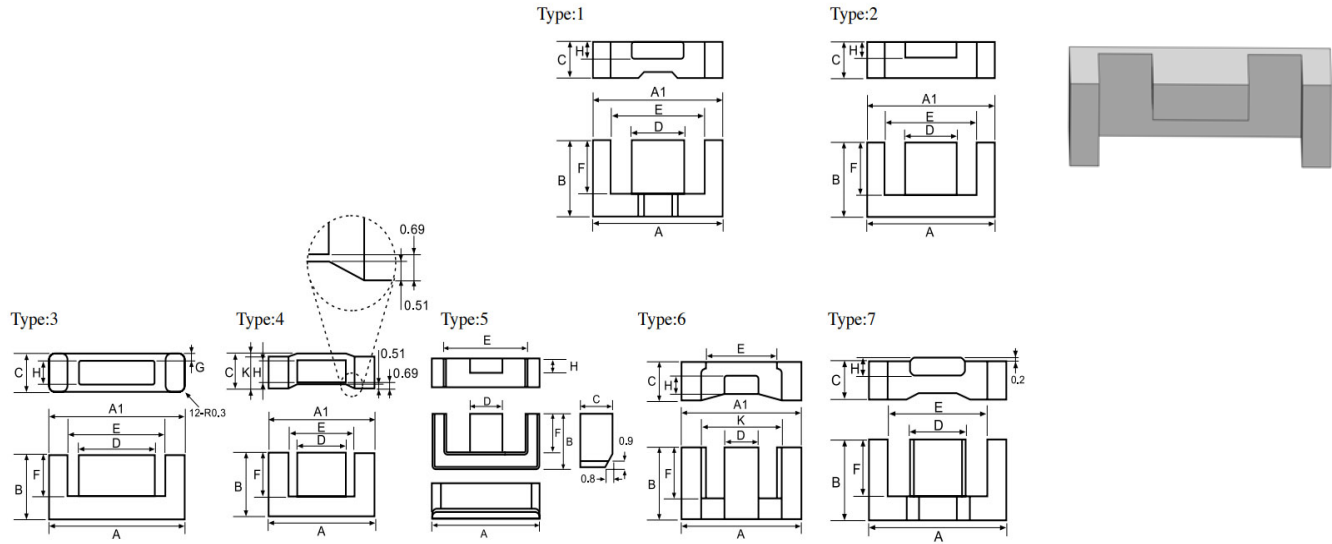


Type : EFD Cores



规格 Type	尺寸Dimensions (mm)										图号
	A	B	C	D	E	F	G	H	K	A-A1	
EFD-6. 25-2. 50-3. 15	6.25+/-0.15	3.15+/-0.10	2.50+/-0.10	2.50+/-0.10	4.85+/-0.15	2.30+/-0.10	-	1.25+/-0.10	-	0.15max	2
EFD-6. 40-2. 90-3. 70	6.40+/-0.15	3.70+/-0.10	2.90+/-0.10	2.35+/-0.10	5.30+/-0.15	2.90+/-0.10	-	1.40+/-0.10	-	-	2
EFD-6. 50-3. 00-3. 65	6.50+/-0.15	3.65+/-0.10	3.00+/-0.10	2.50+/-0.10	5.20+/-0.15	2.85+/-0.10	-	1.70+/-0.10	-	-	2
EFD-6. 55-3. 00-3. 65	6.55+/-0.15	3.65+/-0.10	3.00+/-0.10	2.50+/-0.10	5.25+/-0.15	2.85+/-0.10	-	1.70+/-0.10	-	0.15max	2
EFD-7. 50-2. 30-4. 05	7.50+/-0.30	4.05+/-0.15	2.30+/-0.15	2.50+/-0.15	5.70+/-0.20	2.75+/-0.15	-	1.15+/-0.15	-	-	5
EFD-8. 0-1. 90-3. 70	8.00+/-0.15	3.70+/-0.10	1.90+/-0.10	3.40+/-0.10	5.90min	2.30+/-0.10	-	0.90+/-0.10	-	0.15max	2
EFD-9. 20-1. 90-4. 50	9.20+/-0.20	4.50+/-0.10	1.90+/-0.10	5.10+/-0.15	6.60+/-0.15	3.10+/-0.10	0.50+/-0.10	0.90+/-0.10	-	-	3
EFD-9. 60-2. 20-4. 60	9.60+/-0.15	4.60+/-0.10	2.20+/-0.10	4.00+/-0.10	7.35+/-0.15	3.00+/-0.10	-	1.15+/-0.10	-	≤0.13mm	1
EFD-9. 70-3. 00-4. 30	9.70+/-0.15	4.30+/-0.10	3.00+/-0.10	4.00+/-0.10	7.70+/-0.15	3.10+/-0.10	-	1.50+/-0.07	-	≤0.13mm	2
EFD-9. 80-2. 50-9. 80	9.80+/-0.15	9.80+/-0.10	2.50+/-0.10	4.50+/-0.10	7.40+/-0.15	7.80+/-0.10	-	1.31+/-0.10	-	0.15max	2
EFD-10. 70-3. 50-6. 50	10.70+/-0.20	6.50+/-0.10	3.50+/-0.15	3.20+/-0.10	8.30+/-0.15	5.15+/-0.10	-	1.50+/-0.10	-	-	2
EFD-11. 20-2. 70-5. 70	11.20+0.20/-0.25	5.70+/-0.12	2.70+/-0.20	4.90+0.10/-0.15	8.70+/-0.20	3.95+/-0.10	-	1.40+0.10/-0.15	-	-	2
EFD-11. 30-3. 50-6. 70	11.30+/-0.20	6.70+/-0.20	3.50+/-0.15	3.20+/-0.15	8.50min	5.20+/-0.10	-	1.50+/-0.10	-	-	2
EFD-11. 75-2. 38-13. 60	11.75+/-0.15	13.60+/-0.15	2.38+/-0.15	5.00+/-0.10	8.65+/-0.15	11.60+/-0.10	-	1.50+/-0.10	-	≤0.20mm	2
EFD-12. 20-3. 50-7. 60	12.20+/-0.25	7.60+/-0.20	3.50+/-0.15	3.30+/-0.15	9.80+/-0.25	6.35+/-0.15	-	2.00+/-0.15	-	≤0.25mm	2
EFD-12. 00-3. 50-7. 70	12.00+/-0.20	7.70+/-0.15	3.50+/-0.15	3.20+/-0.10	9.35min	6.30+/-0.15	-	1.50+/-0.10	-	0.15max	2



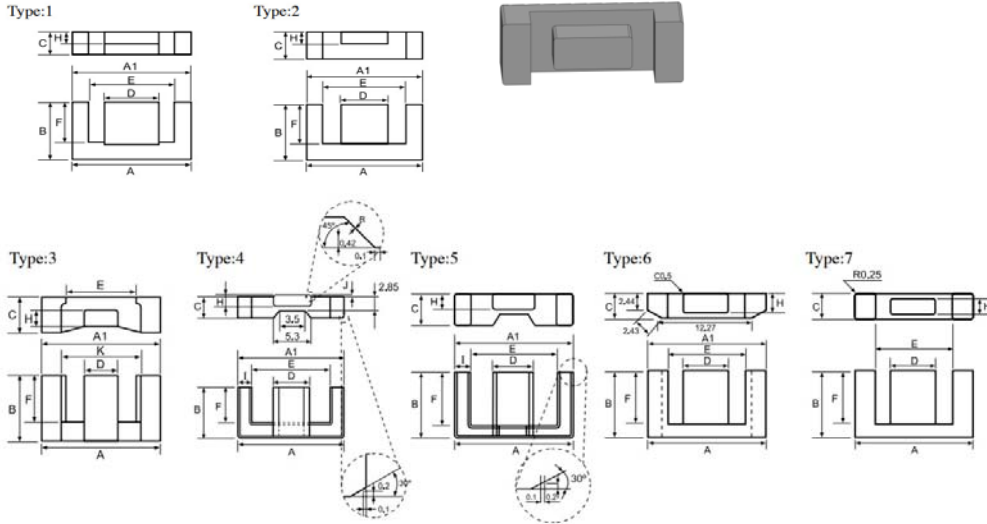
规格 Type	尺寸Dimensions (mm)										图号
	A	B	C	D	E	F	G	H	K	A-A1	
EFD-12.40-4.00-6.05	12.40+0.30/-0.20	6.05+/-0.20	4.00+/-0.10	5.15+/-0.15	9.70min	4.60+/-0.15	-	2.20+/-0.10	-	-	2
EFD-12.45-3.90-6.20	12.45+/-0.25	6.20+/-0.15	3.90+/-0.08	5.80+/-0.12	7.75+/-0.15	4.05+/-0.10	-	2.55+/-0.05	3.50+/-0.06	-	4
EFD-12.50-3.50-6.20	12.50+/-0.30	6.20+/-0.10	3.50+/-0.10	5.40+/-0.15	9.00min	4.55+/-0.15	-	2.00+/-0.20	-	-	7
EFD-12.75-3.30-6.85	12.75+/-0.25	6.85+/-0.15	3.30+/-0.15	6.60+/-0.10	9.35+/-0.15	4.55+/-0.15	-	1.85+/-0.10	-	≤0.20mm	2
EFD-12.70-5.40-10.60	12.70+/-0.20	10.60+/-0.15	5.40+/-0.15	4.90+0.10/-0.15	8.90+0.20/-0.10	8.20+/-0.15	-	3.50+/-0.10	-	0.15max	2
EFD-13.20-2.85-6.85	13.20+/-0.35	6.85+/-0.15	2.85+/-0.15	5.25+/-0.15	9.60+0.15/-0.25	4.80+/-0.15	-	1.40+/-0.10	-	≤0.30mm	1
EFD-13.00-4.00-6.40	13.00+/-0.30	6.40+/-0.20	4.00+/-0.20	5.30+/-0.20	10.00min	4.85+/-0.20	-	2.15+/-0.15	-	-	2
EFD-13.35-3.80-5.65	13.35+/-0.25	5.65+/-0.15	3.80+/-0.15	6.65+/-0.15	10.00+/-0.20	3.80+/-0.20	-	1.65+/-0.10	10.40+/-0.20	≤0.30mm	6
EFD-13.50-4.50-11.00	13.50+0.20/-0.15	11.00+0.15/-0.10	4.50+/-0.10	5.30+/-0.10	9.80min	8.55+/-0.10	-	3.00+/-0.10	-	0.20max	2
EFD-13.50-3.80-11.55	13.50+0.20/-0.15	11.55+0.15/-0.10	3.80+/-0.10	5.30+/-0.10	9.80min	9.05+/-0.10	-	2.70+/-0.10	-	0.20max	2
EFD-14.00-3.35-8.65	14.00+/-0.35	8.65+/-0.15	3.35+/-0.15	5.60+/-0.15	10.60+/-0.30	6.45+0.15/-0.10	-	1.60+/-0.10	-	≤0.20mm	1



湖南创一电子科技股份有限公司  
CYGE ELECTRONIC TECHNOLOGY (HUNAN) CO.,LTD

规格 (Type)	磁芯参数				单重(g/set)	图号
	C1 (mm <sup>-1</sup> )	Le (mm)	Ae (mm <sup>2</sup> )	Ve (mm <sup>3</sup> )		
EFD-6.25-2.50-3.15	4.47	14.26	3.19	45.49	0.27	2
EFD-6.40-2.90-3.70	5.11	17.05	3.34	56.91	0.30	2
EFD-6.50-3.00-3.65	4.25	16.77	3.95	66.24	0.38	2
EFD-6.55-3.00-3.65	4.26	16.82	3.95	66.44	0.39	2
EFD-7.50-2.30-4.05	4.98	17.15	3.44	59.07	0.40	5
EFD-8.0-1.90-3.70	4.85	15.95	3.29	52.48	0.38	2
EFD-9.20-1.90-4.50	4.27	18.80	4.40	82.70	0.52	3
EFD-9.60-2.20-4.60	4.06	20.10	4.80	97.50	0.56	1
EFD-9.70-3.00-4.30	2.71	19.53	7.21	140.76	0.80	2
EFD-9.80-2.50-9.80	6.54	39.64	6.06	240.22	1.30	2
EFD-10.70-3.50-6.50	4.87	28.02	5.75	161.12	1.14	2
EFD-11.20-2.70-5.70	3.60	25.05	6.96	174.40	0.98	2
EFD-11.30-3.50-6.70	4.60	28.40	6.18	175.50	0.92	2
EFD-11.75-2.38-13.60	7.57	56.28	7.43	418.16	2.10	2
EFD-12.20-3.50-7.60	3.94	32.29	8.19	264.46	1.50	2
EFD-12.00-3.50-7.70	5.47	33.18	6.07	201.38	1.34	2
EFD-12.40-4.00-6.05	2.61	27.88	10.68	297.89	1.64	2
EFD-12.45-3.90-6.20	1.66	25.60	15.40	394.20	2.10	4
EFD-12.50-3.50-6.20	2.47	27.46	11.10	304.81	1.50	7
EFD-12.75-3.30-6.85	2.57	28.68	11.13	319.20	1.80	2
EFD-12.70-5.40-10.60	2.42	43.33	17.93	776.91	4.39	2
EFD-13.20-2.85-6.85	3.57	29.28	8.18	239.50	1.53	1
EFD-13.00-4.00-6.40	2.69	30.58	11.37	347.70	1.53	2
EFD-13.35-3.80-5.65	2.15	25.10	11.65	292.42	1.64	6
EFD-13.50-4.50-11.00	2.78	45.97	16.54	760.34	4.04	2
EFD-13.5.0-3.80-11.55	3.33	48.03	14.44	693.55	3.62	2
EFD-14.00-3.35-8.65	3.75	36.98	9.84	363.80	2.04	1

Type : EFD Cores



规格 Type	尺寸Dimensions (mm)										图号
	A	B	C	D	E	F	H	I	K	A-A1	
EFD-14. 60-6. 20-7. 30	14.60+/-0.30	7.30+/-0.15	6.20+/-0.15	5.30+/-0.15	11.00+/-0.35	5.30+/-0.25	4.24+/-0.10	-	-	≤0.20mm	2
EFD-14. 70-4. 75-12. 70	14.70+/-0.30	12.70+/-0.15	4.75+/-0.15	6.00+/-0.15	10.45+/-0.15	10.00+0.15/-0.10	3.30+/-0.10	-	-	0.25max	2
EFD-14. 80-6. 80-9. 00	14.80+/-0.60	9.00+/-0.20	6.80+/-0.20	5.60+/-0.20	11.10+/-0.30	6.15+/-0.10	4.60+/-0.20	-	-	0.30max	2
EFD-14. 80-4. 60-10. 00	14.80+/-0.30	10.00+/-0.15	4.60+/-0.10	6.00+/-0.15	11.05+/-0.15	7.80+0.13/-0.12	2.70+/-0.10	-	-	0.25max	2
EFD-15. 00-4. 65-7. 5	15.00+/-0.40	7.50+/-0.15	4.65+/-0.15	5.30+/-0.15	11.00+/-0.25	5.5+0.25/-0.10	2.40+/-0.10	2.00+/-0.10	-	≤0.15mm	4
EFD-15. 00-4. 20-14. 45	15.00+0.25/-0.15	14.45+0.15/-0.10	4.20+0.08/-0.07	5.80+/-0.07	10.60+/-0.15	12.15+/-0.10	2.90+/-0.07	-	-	-	2
EFD-15. 00-4. 00-14. 35	15.00+0.25/-0.15	14.35+0.15/-0.10	4.00+0.08/-0.07	5.80+/-0.07	10.60+/-0.15	12.05+/-0.10	2.70+/-0.07	-	-	≤0.15mm	2
EFD-15. 00-4. 00-14. 95	15.00+/-0.25	14.95+/-0.15	4.00+/-0.10	5.80+/-0.10	10.60+/-0.15	12.65+/-0.15	2.70+/-0.10	-	-	-	2
EFD-15. 00-4. 50-7. 50	15.00+/-0.40	7.50+/-0.15	4.50+/-0.15	5.30+/-0.15	11.00+/-0.25	5.50+0.25/-0.10	2.15+/-0.10	2.00+/-0.10	-	≤0.25mm	5
EFD-15. 00-5. 00-4. 55	15.00+/-0.25	4.55+/-0.15	5.00+/-0.15	6.50+/-0.20	10.30+/-0.30	2.75+/-0.15	2.60+/-0.15	-	-	1	7
EFD-15. 00-3. 70-6. 45	15.00+/-0.30	6.45+/-0.15	3.70+/-0.10	7.90+/-0.10	11.25+/-0.25	4.73+/-0.10	1.60+/-0.10	-	12.05+/-0.25	≤0.20mm	3
EFD-15. 35-3. 70-6. 55	15.35+/-0.25	6.55+/-0.15	3.70+/-0.15	8.05+/-0.20	11.70+/-0.30	4.50+/-0.15	1.60+/-0.10	-	12.50+/-0.30	-	3
EFD-16. 00-4. 00-15. 10	16.00+/-0.25	15.10+0.15/-0.10	4.00+/-0.15	5.80+/-0.10	12.00+/-0.15	12.70+/-0.10	2.70+/-0.10	-	-	0.25max	2
EFD-16. 00-4. 80-7. 20	16.00+/-0.30	7.20+/-0.20	4.80+/-0.20	6.00+/-0.25	12.50+/-0.30	5.10+/-0.20	2.40+/-0.20	-	-	-	2
EFD-16. 00-4. 00-15. 30	16.00+/-0.25	15.30+/-0.20	4.00+/-0.15	5.50+/-0.15	10.20min	12.30+/-0.20	3.00+/-0.13	-	-	-	6
EFD-16. 55-4. 45-19. 40	16.55+/-0.25	19.40+/-0.25	4.45+/-0.10	5.80+/-0.20	11.40min	16.45+0.20/-0.15	2.80+/-0.10	1.50+/-0.10	-	≤0.20mm	1



湖南创一电子科技股份有限公司  
CYGE ELECTRONIC TECHNOLOGY (HUNAN) CO.,LTD

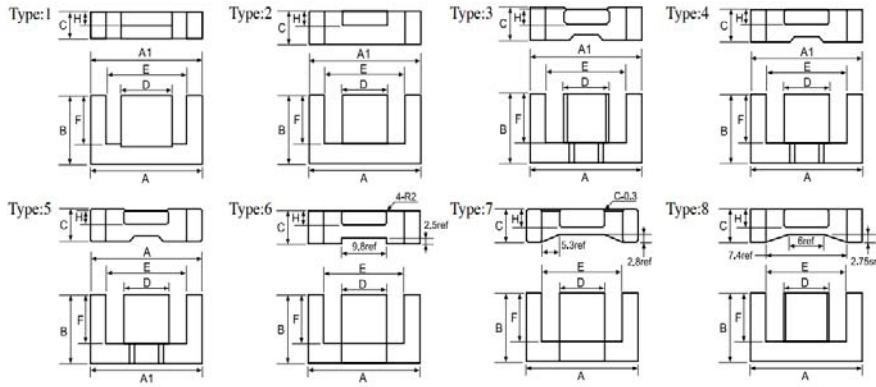
规格 Type	尺寸Dimensions (mm)										图号
	A	B	C	D	E	F	H	I	K	A-A1	
EFD-16.55-4.45-17.00	16.55+/-0.25	17.00+/-0.25	4.45+/-0.10	5.80+/-0.20	11.40min	14.05+0.20/-0.15	2.80+/-0.10	-	-	-	2
EFD-16.55-4.45-25.00	16.55+/-0.25	25.00+/-0.15	4.45+/-0.15	5.80+/-0.15	11.40min	22.00+0.20/-0.15	2.80+/-0.10	-	-	-	1
EFD-17.60-5.60-11.00	17.60+/-0.30	11.00+/-0.20	5.60+/-0.15	7.50+/-0.15	13.10min	8.60+/-0.20	3.40+/-0.10	-	-	≤0.25mm	2
EFD-18.00-2.00-11.20	18.00+/-0.30	11.20+/-0.15	2.00+/-0.10	9.00+/-0.15	13.20+/-0.30	7.90+/-0.15	0.90+/-0.10	-	-	≤0.20mm	2
EFD-18.50-4.05-19.90	18.50+/-0.50	19.90+/-0.20	4.05+/-0.25	7.60+/-0.20	14.50+/-0.50	17.80+/-0.20	2.11+/-0.15	-	-	≤0.30mm	2
EFD-18.50-3.70-15.30	18.50+/-0.30	15.30+/-0.20	3.70+/-0.25	7.60+/-0.20	14.50+/-0.30	13.10+/-0.30	1.80+/-0.15	-	-	-	1
EFD-19.50-5.45-21.40	19.50+/-0.35	21.40+/-0.20	5.45+/-0.15	5.80+/-0.15	13.50min	18.20+/-0.15	4.00+/-0.15	-	-	-	2



湖南创一电子科技股份有限公司  
CYGE ELECTRONIC TECHNOLOGY (HUNAN) CO.,LTD

规格 (Type)	磁芯参数				单重(g/set)	图号
	C1 (mm <sup>-1</sup> )	Le (mm)	(mm <sup>2</sup> ) )	(mm <sup>3</sup> ) )		
EFD-14.60-6.20-7.30	1.53	33.45	21.84	730.50	4.08	2
EFD-14.70-4.75-12.70	2.61	52.61	20.16	1060.62	5.50	2
EFD-14.80-6.80-9.00	1.42	37.89	26.65	1009.77	5.80	2
EFD-14.80-4.60-10.00	2.55	43.26	16.91	731.34	4.00	2
EFD-15.00-4.65-7.5	2.35	33.28	14.12	469.90	2.74	5
EFD-15.00-4.20-14.45	3.73	60.69	16.27	987.24	5.18	2
EFD-15.00-4.00-14.35	3.30	60.19	16.62	1000.36	7.00	3
EFD-15.00-4.00-14.95	3.85	62.68	16.27	1020.15	5.26	1
EFD-15.00-4.50-7.50	2.03	29.88	14.70	439.24	2.75	2
EFD-15.00-5.00-4.55	1.20	21.22	17.73	376.18	2.36	2
EFD-15.00-3.70-6.45	2.49	28.58	11.44	326.95	1.90	2
EFD-15.35-3.70-6.55	2.25	29.11	12.96	377.27	2.80	2
EFD-16.00-4.00-15.10	4.10	64.37	15.70	1010.61	5.18	2
EFD-16.00-4.80-7.20	2.24	33.48	14.97	501.35	3.10	2
EFD-16.00-4.00-15.30	3.57	62.64	17.55	1099.42	5.80	2
EFD-16.55-4.45-19.40	4.18	78.03	18.67	1456.82	8.00	2
EFD-16.55-4.45-17.00	3.73	69.18	18.53	1281.91	7.34	2
EFD-16.55-4.45-25.00	5.42	100.87	18.62	1878.20	8.00	4
EFD-17.60-5.60-11.00	2.03	48.36	23.84	1152.90	6.12	7
EFD-18.00-2.00-11.20	5.30	45.54	8.59	391.10	2.46	2
EFD-18.50-4.05-19.90	5.51	85.28	15.46	1318.43	7.14	2
EFD-18.50-3.70-15.30	4.77	66.84	14.02	937.08	4.82	1
EFD-19.50-5.45-21.40	3.37	88.71	26.32	2335.22	13.08	2

Type : EFD Cores



规格 Type	尺寸Dimensions (mm)								图号
	A	B	C	D	E	F	H	A-A1	
EFD-20.00-6.65-10.00	20.00+/-0.55	10.00+/-0.15	6.65+/-0.15	8.90+/-0.20	15.40+/-0.50	7.70+/-0.25	3.60+/-0.15	≤0.25mm	3
EFD-20.00-6.00-11.60	20.00+/-0.55	11.60+/-0.15	6.00+/-0.15	8.90+/-0.20	15.40+0.20/-0.30	9.30+0.25/-0.20	3.60+/-0.15	≤0.20mm	3
EFD-20.00-5.40-11.60	20.00+/-0.55	11.60+/-0.15	5.40+/-0.15	8.90+/-0.20	15.40+0.20/-0.30	9.30+0.25/-0.20	3.60+/-0.15	≤0.20mm	3
EFD-20.50-6.65-10.00	20.50+/-0.40	10.00+/-0.25	6.65+0.20/-0.15	8.90+/-0.20	15.90+/-0.30	7.70+/-0.20	3.60+/-0.15	≤0.20mm	3
EFD-20.00-5.80-13.30	20.00+/-0.30	13.30+/-0.20	5.80+/-0.12	8.90+/-0.20	15.40+/-0.20	11.00+/-0.20	3.50+/-0.12	≤0.20mm	2
EFD-20.30-6.00-10.20	20.30+/-0.50	10.20+/-0.15	6.00+/-0.15	8.90+/-0.20	15.70+/-0.20	7.90+/-0.20	3.60+/-0.15	≤0.30mm	3
EFD-20.60-6.60-10.20	20.60+/-0.50	10.20+/-0.15	6.60+/-0.15	8.90+/-0.20	16.70+0.40/-0.20	8.00+/-0.15	3.70+/-0.15	-	3
EFD-20.70-4.15-12.30	20.70+/-0.60	12.30+/-0.20	4.15+/-0.20	10.20+/-0.25	15.80+0.50/-0.30	9.20+/-0.20	2.05+/-0.15	-	2
EFD-21.40-6.00-12.60	21.40+/-0.30	12.60+/-0.20	6.00+/-0.15	9.50+/-0.15	16.10min	10.00+/-0.20	3.40+/-0.10	≤0.25mm	2
EFD-21.50-4.65-20.50	21.50+/-0.40	20.50+/-0.20	4.65+/-0.15	8.20+/-0.15	14.20min	17.55+/-0.15	2.90+/-0.10	-	1
EFD-22.00-7.40-14.50	22.00+/-0.30	14.50+/-0.15	7.40+/-0.15	9.60+/-0.15	16.00+/-0.30	11.50+/-0.15	4.20+/-0.15	≤0.25mm	4
EFD-22.00-4.36-16.30	22.00+/-0.50	16.30+/-0.40	4.36+/-0.25	10.00+/-0.20	16.90+/-0.50	13.90min	1.91+/-0.15	0.30max	2
EFD-22.50-4.00-12.00	22.50+/-0.60	12.00+/-0.20	4.00+/-0.20	11.00/-0.25	17.00+/-0.40	9.35+/-0.20	1.90+/-0.15	-	2
EFD-23.60-4.00-14.40	23.60+/-0.40	14.40+/-0.20	4.00+/-0.20	11.00+/-0.25	17.70min	11.60+/-0.20	1.90+/-0.20	-	2
EFD-25.00-9.10-12.50	25.00+/-0.65	12.50+/-0.15	9.10+/-0.20	11.40+/-0.20	18.70+/-0.60	9.30+/-0.25	5.20+/-0.15	≤0.30mm	3
EFD-25.05-12.45-12.60	25.05+/-0.65	12.60+/-0.20	12.45+/-0.25	8.80+/-0.25	19.20+/-0.40	9.55+/-0.25	8.30+/-0.30	-	2



湖南创一电子科技股份有限公司  
CYGE ELECTRONIC TECHNOLOGY (HUNAN) CO.,LTD

规格 Type	尺寸Dimensions (mm)								图号
	A	B	C	D	E	F	H	A-A1	
EFD-25.00-9.10-12.50	25.00+/-0.65	12.50+/-0.15	9.10+/-0.20	11.40+/-0.20	18.70+/-0.60	9.30+/-0.25	5.20+/-0.15	-	3
EFD-25.20-9.10-12.90	25.20+/-0.50	12.90+/-0.20	9.10+/-0.20	11.40+/-0.20	18.50min	9.70+/-0.20	5.30+/-0.15	0.30max	5
EFD-25.40-10.50-15.85	25.40+/-0.70	15.85+/-0.20	10.50+/-0.30	9.80+/-0.30	19.50min	12.35+/-0.15	6.10+/-0.20	-	6
EFD-26.30-9.10-12.70	26.30+/-0.50	12.70+/-0.20	9.10+/-0.20	11.30+/-0.20	20.00min	9.50+/-0.20	5.15+/-0.15	-	5
EFD-28.70-2.45-14.90	28.70+/-0.40	14.90+/-0.25	2.45+/-0.10	14.80+/-0.15	21.50+/-0.35	11.30+/-0.20	1.20+/-0.10	≤0.30mm	2
EFD-29.70-12.50-16.80	29.70+/-0.80	16.80+/-0.30	12.50+/-0.40	11.60+/-0.30	22.20+0.50/-0.30	12.30+/-0.30	8.20+/-0.20	-	7
EFD-30.00-9.10-15.00	30.00+/-0.50	15.00+/-0.20	9.10+/-0.30	14.60+/-0.30	22.40min	11.20+/-0.20	4.90+/-0.25	-	3
EFD-30.80-8.60-15.20	30.80+/-0.50	15.20+/-0.25	8.60+/-0.20	14.60+/-0.30	22.20min	11.40+/-0.20	4.84+/-0.15	-	8
EFD-31.00-6.50-18.00	31.00+/-0.45	18.00+/-0.25	6.50+/-0.20	14.00+/-0.25	21.90+/-0.40	13.50+/-0.25	3.90+/-0.20	-	2
EFD-31.20-9.00-15.25	31.20+/-0.50	15.25+/-0.15	9.00+/-0.20	14.40+/-0.25	23.20+/-0.40	11.30+/-0.15	4.90+/-0.15	-	3
EFD-31.20-9.00-15.20	31.20+/-0.50	15.20+/-0.20	9.00+/-0.20	14.60+/-0.30	23.80min	11.40+/-0.20	4.90+/-0.20	-	5
EFD-31.40-9.10-15.00	31.40+/-0.50	15.00+/-0.20	9.10+/-0.20	14.60+/-0.25	23.40min	11.30+/-0.20	4.90+/-0.15	-	3
EFD-31.40-9.00-15.50	31.40+/-0.60	15.50+/-0.30	9.00+/-0.20	14.60+/-0.25	24.60min	11.70+/-0.20	4.90+/-0.20	-	5
EFD-31.80-5.10-22.00	31.80+/-0.50	22.00+/-0.15	5.10+/-0.20	15.35+/-0.40	21.60min	17.00+/-0.15	3.15+/-0.15	≤0.40mm	2





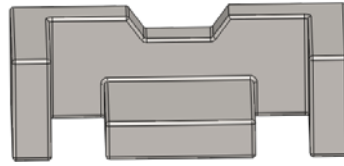
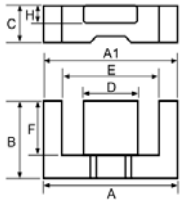
# 湖南创一电子科技股份有限公司

## CYGE ELECTRONIC TECHNOLOGY (HUNAN) CO.,LTD

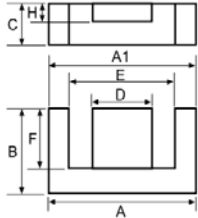
规格 (Type)	磁芯参数				单重(g/set)	图号
	C1 (mm <sup>-1</sup> )	Le (mm)	(mm <sup>2</sup> ) )	(mm <sup>3</sup> ) )		
EFD-20.00-6.65-10.00	1.59	45.49	28.50	1296.40	6.88	3
EFD-20.00-6.00-11.60	1.89	51.76	27.27	1411.49	7.66	3
EFD-20.00-5.40-11.60	2.00	51.46	25.64	1319.43	6.94	3
EFD-20.50-6.65-10.00	1.61	45.97	28.42	1306.40	6.90	3
EFD-20.00-5.80-13.30	2.19	58.48	26.65	1558.49	6.88	2
EFD-20.30-6.00-10.20	1.72	46.02	27.88	1283.06	7.00	3
EFD-20.60-6.60-10.20	1.78	47.40	26.59	1260.14	6.80	3
EFD-20.70-4.15-12.30	2.53	52.78	20.84	1099.77	6.28	2
EFD-21.40-6.00-12.60	1.88	55.76	29.66	1653.84	9.24	2
EFD-21.50-4.65-20.50	3.16	84.57	26.75	2262.25	12.40	1
EFD-22.00-7.40-14.50	1.57	62.52	39.94	2497.05	13.90	4
EFD-22.00-4.36-16.30	3.66	70.97	19.41	1377.87	7.67	2
EFD-22.50-4.00-12.00	2.53	54.00	21.30	1150.20	6.14	2
EFD-23.60-4.00-14.40	3.02	63.32	20.97	1328.00	7.50	2
EFD-25.00-9.10-12.50	1.03	55.81	53.92	3009.20	16.12	3
EFD-25.05-12.45-12.60	0.80	56.51	74.00	4370.00	22.40	2
EFD-25.00-9.10-12.50	1.04	70.32	53.92	3009.28	16.12	3
EFD-25.20-9.10-12.90	0.98	57.80	57.63	3257.12	17.64	5
EFD-25.40-10.50-15.85	1.14	65.02	61.44	4320.46	18.56	6
EFD-26.30-9.10-12.70	1.05	73.74	54.83	3169.59	16.20	5
EFD-28.70-2.45-14.90	4.03	66.02	16.10	1046.82	6.06	2
EFD-29.70-12.50-16.80	0.77	73.74	96.33	7103.37	35.70	7
EFD-30.00-9.10-15.00	0.98	66.02	67.52	4457.67	24.00	3
EFD-30.80-8.60-15.20	0.98	66.73	68.13	4546.31	23.72	8
EFD-31.00-6.50-18.00	1.44	77.23	53.56	4135.91	23.00	2
EFD-31.20-9.00-15.25	0.99	67.85	68.52	4649.28	24.28	3
EFD-31.20-9.00-15.20	1.03	68.23	66.27	4521.52	25.24	5
EFD-31.40-9.10-15.00	1.07	67.72	63.48	4298.64	25.40	3
EFD-31.40-9.00-15.50	1.11	69.62	62.71	4366.06	23.50	5
EFD-31.80-5.10-22.00	1.91	91.32	47.77	4362.36	23.26	2

Type : EFD Cores

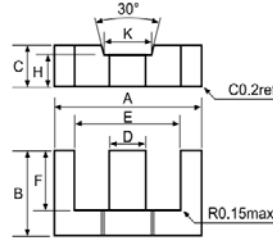
Type:1



Type:2



Type:3



规格 Type	尺寸Dimensions (mm)								图号
	A	B	C	D	E	F	H	A-A1	
EFD-33.70-5.00-23.00	33.70 ± 0.50	23.00 ± 0.15	5.00 ± 0.15	17.00 ± 0.20	23.70 ± 0.45	18.00 ± 0.15	3.00 ± 0.10	-	2
EFD-34.80-5.40-22.40	34.80 ± 0.50	22.40 ± 0.20	5.40 ± 0.15	16.50 ± 0.25	24.20min	16.90 ± 0.20	3.00 ± 0.15	0.50max	2
EFD-35.00-5.70-25.30	35.00 ± 0.50	25.30 ± 0.20	5.70 ± 0.15	15.35 ± 0.25	24.70 ± 0.30	20.00 ± 0.20	3.80 ± 0.15	-	2
EFD-35.00-6.30-13.90	35.00 ± 0.50	13.90 ± 0.20	6.30 ± 0.25	18.00 ± 0.40	25.30min	9.50 ± 0.20	3.20 ± 0.20	-	1
EFD-35.40-6.00-25.60	35.40 ± 0.50	25.60 ± 0.20	6.00 ± 0.20	15.30 ± 0.25	25.00min	20.30 ± 0.20	4.20 ± 0.15	-	2
EFD-35.40-6.00-23.10	35.40 ± 0.50	23.10 ± 0.20	6.00 ± 0.20	15.30 ± 0.25	25.50 ± 0.40	17.80 ± 0.15	4.20 ± 0.15	0.60max	2
EFD-35.50-6.80-17.75	35.50 ± 0.80	17.75 ± 0.20	6.80 ± 0.20	16.20 ± 0.30	26.20 ± 0.60	13.10 ± 0.20	3.90 ± 0.15	-	2
EFD-36.00-7.40-18.90	36.00 ± 0.50	18.90 ± 0.20	7.40 ± 0.15	17.60 ± 0.20	26.20 ± 0.50	13.80 ± 0.15	4.00 ± 0.15	-	2
EFD-36.10-13.00-17.80	36.10 ± 0.55	17.80 ± 0.20	13.00 ± 0.30	10.00 ± 0.30	25.10min	12.80 ± 0.20	10.00 ± 0.30	-	3
EFD-36.25-10.00-24.00	36.25 ± 0.50	24.00 ± 0.15	10.00 ± 0.20	14.00 ± 0.20	26.00min	19.00 ± 0.20	5.00 ± 0.20	-	2
EFD-37.70-7.60-17.60	37.70 ± 0.50	17.60 ± 0.20	7.60 ± 0.20	18.60 ± 0.25	29.50 ± 0.40	13.10 ± 0.15	3.40 ± 0.15	-	2
EFD-37.70-7.60-17.60	37.70+0.80-0.50	17.60 ± 0.20	7.60 ± 0.20	18.60 ± 0.25	29.60min	13.10 ± 0.15	3.40 ± 0.15	-	2
EFD-37.80-5.50-29.00	37.80 ± 0.50	29.00 ± 0.20	5.50 ± 0.20	13.80 ± 0.20	22.40 ± 0.45	21.60 ± 0.20	4.00 ± 0.15	-	2
EFD-40.20-6.10-24.70	40.20 ± 0.50	24.70 ± 0.20	6.10 ± 0.20	20.00 ± 0.30	29.30 ± 0.60	18.00 ± 0.20	3.00 ± 0.15	-	2
EFD-41.00-11.80-20.30	41.00 ± 0.80	20.30 ± 0.20	11.80 ± 0.30	16.60 ± 0.40	31.40 ± 0.70	15.50 ± 0.20	6.70 ± 0.25	< 0.60mm	2
EFD-42.90-6.60-24.40	42.90 ± 0.70	24.40 ± 0.15	6.60 ± 0.15	21.60 ± 0.30	27.80min	17.00 ± 0.15	4.40 ± 0.15	-	2



湖南创一电子科技股份有限公司  
CYGE ELECTRONIC TECHNOLOGY (HUNAN) CO.,LTD

规格 Type	尺寸Dimensions (mm)								图号
	A	B	C	D	E	F	H	A-A1	
EFD-43.00-7.55-26.30	43.00 ± 0.60	26.30 ± 0.25	7.55 ± 0.20	21.60 ± 0.30	29.40 ± 0.60	18.80 ± 0.25	4.30 ± 0.20	-	2
EFD-43.10-8.00-22.15	43.10 ± 0.65	22.15 ± 0.20	8.00 ± 0.15	22.30 ± 0.30	33.10+0.65/- 0.30	17.15 ± 0.20	3.50 ± 0.15	-	2
EFD-43.00-8.00-22.10	43.40 ± 0.60	22.10 ± 0.20	8.00 ± 0.30	22.45 ± 0.25	33.50min	17.00 ± 0.20	3.20 ± 0.15	-	2
EFD-43.70-6.20-27.60	43.70 ± 0.70	27.60 ± 0.15	6.20 ± 0.25	20.30 ± 0.30	29.50min	20.60 ± 0.15	4.00 ± 0.15	-	2
EFD-43.70-6.20-28.50	43.70 ± 0.70	28.50 ± 0.15	6.20 ± 0.25	20.30 ± 0.30	29.50min	21.50 ± 0.20	4.00 ± 0.15	-	2
EFD-45.00-6.30-27.60	45.00 ± 0.50	27.60 ± 0.15	6.30 ± 0.15	21.60 ± 0.30	30.50 ± 0.50	20.20 ± 0.20	4.40 ± 0.15	-	2
EFD-45.20-5.90-24.70	45.20 ± 0.65	24.70 ± 0.20	5.90 ± 0.15	24.00 ± 0.30	33.10+0.60/- 0.40	18.00 ± 0.20	3.00 ± 0.15	-	2
EFD-45.30-5.90-25.30	45.30 ± 0.70	25.30 ± 0.20	5.90 ± 0.20	23.80 ± 0.20	33.50+0.70 /-0.30	18.50 ± 0.20	2.90 ± 0.20	0.50max	2
EFD-47.00-8.70-28.10	47.00 ± 0.80	28.10 ± 0.20	8.70 ± 0.20	21.60 ± 0.40	30.60min	20.70 ± 0.20	6.50 ± 0.15	-	2
EFD-50.00-6.20-28.00	50.00 ± 0.70	28.00 ± 0.30	6.20 ± 0.20	24.00 ± 0.30	34.40min	20.60 ± 0.20	3.20 ± 0.20	-	2
EFD-64.00-6.60-40.00	64.00 ± 0.80	40.00 ± 0.20	6.60 ± 0.25	30.80 ± 0.40	39.00 ± 0.55	27.50 ± 0.20	4.40+0.10/- 0.30	-	2



湖南创一电子科技股份有限公司  
CYGE ELECTRONIC TECHNOLOGY (HUNAN) CO.,LTD

规格 Type	磁芯参数					图号
	C1(mm <sup>-1</sup> )	Le (mm)	Ae(m m <sup>2</sup> )	Ve(m m <sup>3</sup> )	Wt(g/set)	
EFD-33.70-5.00-23.00	1.93	96.01	49.78	4779.38	25.06	2
EFD-34.80-5.40-22.40	1.79	93.92	52.42	4923.98	27.52	2
EFD-35.00-5.70-25.30	1.83	106.8	58.26	6222.27	32.64	2
EFD-35.00-6.30-13.90	1.11	61.68	55.32	3412.48	18.74	2
EFD-35.40-6.00-25.60	1.74	108.31	32.33	6570.89	35.08	2
EFD-35.40-6.00-23.10	1.75	108.37	61.76	6692.95	35.08	2
EFD-35.50-6.80-17.75	1.28	78.47	61.19	4801.89	26.68	2
EFD-36.00-7.40-18.90	1.16	81.57	70.26	5730.55	30	2
EFD-36.10-13.00-17.80	0.7	81.02	116.48	9437.08	48.64	2
EFD-36.25-10.00-24.00	1.27	102.8	80.78	8304.47	50.52	2
EFD-37.70-7.60-17.60	1.39	79.59	57.29	4559.47	28.16	2
EFD-37.70-7.60-17.60	1.32	79.73	60.35	4811.71	27.5	2
EFD-37.80-5.50-29.00	1.75	113.58	64.75	7354.31	43.8	2
EFD-40.20-6.10-24.70	1.68	102.78	61.02	6271.5	37.6	2
EFD-41.00-11.80-20.30	0.86	95.8	112	10729.6	54.62	2
EFD-42.90-6.60-24.40	1.07	99.53	92.8	9236.38	50.8	2
EFD-43.00-7.55-26.30	1.15	107.57	93.91	10102.3	58.66	2
EFD-43.10-8.00-22.15	1.39	97.83	70.65	6911.83	41.94	2
EFD-43.00-8.00-22.10	1.35	100.98	74.82	7555.32	40.6	2
EFD-43.70-6.20-27.60	1.38	115.12	83.66	9630.94	53.04	2
EFD-43.70-6.20-28.50	1.49	119.23	80.04	9543.03	50.68	2
EFD-45.00-6.30-27.60	1.23	114.05	92.97	10603.8	56.28	2
EFD-45.20-5.90-24.70	1.56	104.87	67.15	7042.38	41.66	2
EFD-45.30-5.90-25.30	1.55	107.36	69.3	7440.36	42.94	2
EFD-47.00-8.70-28.10	0.84	116.84	138.72	16208.6	86.4	2
EFD-50.00-6.20-28.00	1.4	118.04	83.89	9902.38	54.6	2
EFD-64.00-6.60-40.00	1.1	157.65	143.8	22669.9	130.6	2