

## 【Double-loop digital /light column display controller】

➤ **Product outline**

Double-loop digital / light column display controller adopts advanced microprocessors for smart control, and it is suitable for display and control for many variables such as temperature, humidity, pressure, liquid level, instantaneous flow, speed, and so on, as well as can carry out the linear calibration with high accuracy for various non-linear input signals.

It can separate display and control simultaneously for two-loop signals which can be different signal. input ports all have universal signal input, it can realize light switching between various input signal (thermocouple, thermo-resistance, standard voltage / current signals) by making simple selection on instrument menu. Such feature greatly improves its universality and reliability.

It adopts high brightness LED display and high resolution light column display (proportionality display) to makes the measurement or control value more clear and visual. The display mode includes: double screen Digital display, Double screen Digital + Double light column display; control mode: double channel independent each other relay control / alarm output or analog transmitting output.

Output loops all adopt the photoelectric isolation, its anti-interference ability is strong. And it can also carry serial communication interfaces

>**Outline dimension and open hole dimension**

Outline dimension: 96×48×115mm	Outline dimension: 48×96×115mm	Outline dimension: 96×96×115mm
Open hole dimension: $45^{+0.7}_{-0} \times 92^{+0.7}_{-0}$ mm	Open hole dimension: $45^{+0.7}_{-0} \times 92^{+0.7}_{-0}$ mm	Open hole dimension: $92^{+0.7}_{-0} \times 92^{+0.7}_{-0}$ mm
Outline dimension: 160×80×115mm	Outline dimension: 80×160×115mm	
Open hole dimension: $152^{+0.7}_{-0} \times 76^{+0.7}_{-0}$ mm	Open hole dimension: $76^{+0.7}_{-0} \times 152^{+0.7}_{-0}$ mm	

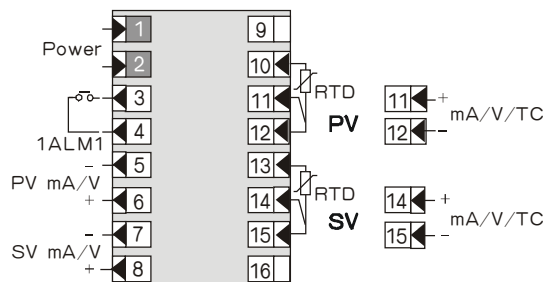
➤ Type spectrum table of double-loop digital / light column display controller

WP-		Model										Explanation		
		□□	□	□□	-□	□	□	-□□	□□	-□	□	□□	□	
Outline feature	D													Double screen horizontal display
	S													Double screen vertical display
	TX													Double screen and light column horizontal type display
	T													Double screen and light column vertical type display
Outline dimension		4												96×48 mm horizontal type, 48×96 mm vertical type
		8												160×80 mm horizontal type, 80×160 mm vertical type
		9												96×96 mm
Control action		21												Measurement display
		23												Measurement display with high/low limit control / alarm
Communication mode		0												No communication interface
		2												RS-232C communication interface
		8												RS-485 communication interface
PV output mode		0												No output
		1												Relay output
		2												(4~20)mA output
		3												(0~10)mA output
		4												(1~5)V output
		5												(0~5)V output
		6												SCR zero –crossing triggering pulse output
		7												SSR control signal output
		8												Special specification transmit output
SV output mode		0												No output
		1												Relay output
		2												(4~20)mA output
		3												(0~10)mA output
		4												(1~5)V output
		5												(0~5)V output
		6												SCR zero –crossing triggering pulse output
		7												SSR control signal output
		8												Special specification transmit output
PV input type							□						See “input type table”	
SV input type								□					See “input type table”	
PV alarm									N				No alarm	
									H/L				PV alarm is high/low limit alarm	
SV alarm										□			same as PV alarm mode (same then can be omitted)	
Feed output											N		No feed output (can be omitted)	
											P		Single way DC 24V feed output (only supply 80 series)	
											2P		Double way DC 24V feed output (only supply 80 series)	
Supply mode												T	AC (90~265)V switch power supply (can be omitted)	

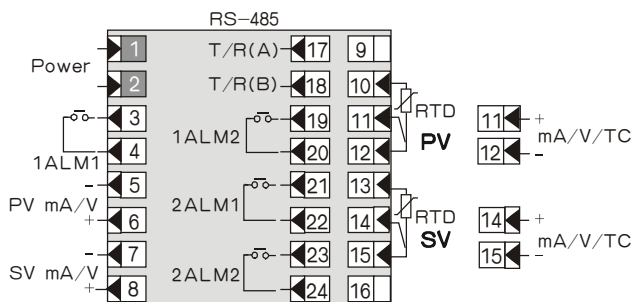
★ Option as an example: WP-D821-000-2323-N; WP-D823-011-0808-HL

➤ **Wiring diagram**

>> **Wiring diagram for 96×48, 48×96**



>> **Wiring diagram for 96×96**



>> **Wiring diagram for 160×80, 80×160**

