

Bite type tube fittings

Apply to the ferrule tube of
specification from 1/4 to 1 in. and 6 to 25mm
After the first installation, it has consistent testability
Easy to dismantle and refasten,
the dismounting times are not less than 30 times
Multiple structural forms

Bite type tube fittings

Structural features

Dual-ferrule
structure design

Working principle

Coding rule for
item No.

Order info & size



Structural features

- Advanced dual-ferrule structure design
- The assembling torque is small, which is easy to install.
- With reliable leakproofness, which can be dismantled and installed for many times
- Silver plating treatment of ferrule nut
- While installing, the torque will not be transmitted to the ferrule tube.

Excellent performance

- Can be applied to the vacuum and high-pressure system
- Can work under low-temperature state to ensure sealing.
- Keep sealing under the highest permissible working temperature of tube.
- It can be dismantled and installed for more than 30 times.
- Excellent anti-vibration and anti-shock performance



Picture for destructive test

The dual-ferrule tube fittings will not lose efficacy even under the pressure which can make the tube blast.

Dual-ferrule structure design

The dual-ferrule structure separates the sealing function and the grasping function of ferrule tube. According to their corresponding functions, optimization design are conducted on the front and back cutting ferrules.

The front cutting ferrule is used to form the sealing:

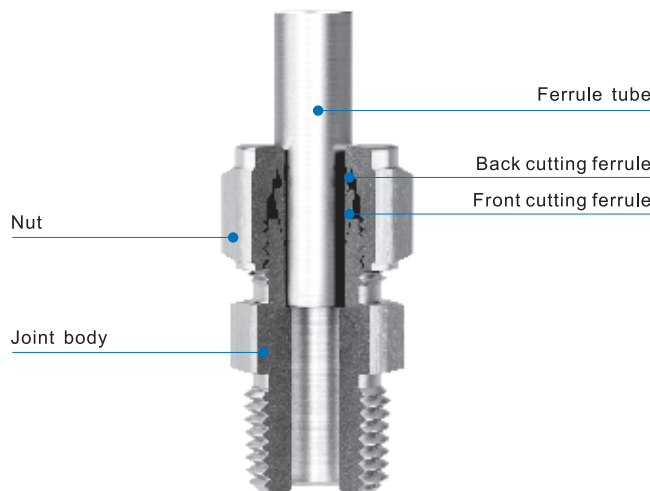
- The sealing with the joint body
- The sealing with the external diameter of ferrule tube


While boosting the front ferrule, the back ferrule will, at the same time, grasp the ferrule tube:

- Boost the front cutting ferrule along the axis
- Exert an effective ferrule-tube chucking force along the radial direction

Working principle

While assembling the tube fittings (shown as in the following figure), screw up the ferrule nut. The ferrule nut will drive the axis of back cutting ferrule to move forward. Then the front cutting ferrule will be pushed into the conical surface of joint by the back cutting ferrule, which will form the primary seal with the ferrule tube; while the back cutting ferrule pushing the front ferrule, it will generate shrinkage strain, which forms a strong grasping force on the ferrule tube. The geometrical shape of back cutting ferrule can help create tightening force in the screwing process of nut, which can convert the axial movements of ferrule nut into the radial extrusion and clamping force of the backing cutting ferrule on the ferrule tube. In this way, the tube connection will be more solid and reliable with smaller assembling torque.



 In order to ensure the performance of bite type tube fittings, should use the annealed and polished 316 stainless steel tube to be the ferrule tube. The dimensional tolerance should be less than $\pm 0.12\text{mm}$ and there is no scratch and burr at the joint position.

Bite type tube fittings

Structural features

Dual-ferrule structure design

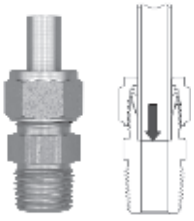
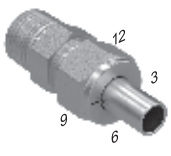
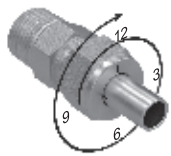


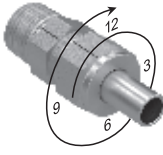
Working principle

Coding rule for item No.

Order info & size

Installation instructions

The installation can be conducted quickly, easily and reliably by using hand tools, such as a wrench etc.

| Installation steps | Methods for the first installation | Graphical representation |
|--------------------|--|---|
| 1 | Insert one end of the ferrule tube into the joint and support the shoulder of joint's inner bore,(before inserting, make sure the insertion end of the ferrule tube is smooth without any burrs); screw up the nut by hands. |  |
| 2 | Mark at the 9 o'clock positions of nut and joint. Note that the marks should be at the same axial direction. |  |
| 3 | Firmly fix the joint body, fasten the nut for one-and-a-quarter circle to make the mark rest on the 12 o'clock position. |  |
| Remounting steps | Remounting methods | Graphical representation |
| 1 | Before dismantling, relieve the pressure of the pipeline. Respectively draw a straight line at the aligned position of ferrule tube's and nut's end faces and the outside surface of ferrule nut and joint body. These marks are used to ensure that, while remounting, the nut can screw up to the right fastening position before dismantling. |  |
| 2 | Insert the dismantled ferrule tube into the joint until the front cutting ferrule sustains the conical surface of the joint body; screw up the nut by hands. |  |
| 3 | According to the marks on the ferrule tube, ferrule nut and joint, screw the ferrule nut to the fastening position marked in Step 1 by using a wrench. At this moment, the resistance will increase obviously. |  |

Matters needing attention

- Don't discharge the system pressure by loosening the collar nut or joint blocking.
- Don't install or fasten the joints when there is pressure in the system.
- Before fastening the nuts, should ensure that the ferrule tube adjoints to the shoulder of bite type tube fitting's body.
- Constantly use the right thread sealant on the thread of the tapered tube.
- Don't use the joint parts (ferrule tube, cutting ferrule, nuts and joint body) of different materials or produced by different manufacturers.
- While installing and dismantling, don't rotate the joint body, but fasten it and rotate the nuts.
- Don't conduct unnecessary disassembly on the joints, which haven't been used.

| |
|--------------------------------|
| Bite type tube fittings |
| Structural features |
| Dual-ferrule structure design |
| Working principle |
| Coding rule for item No. |
| Order info & size |

Coding rule for item No.

SS
–
FA9
–
K

12mm
–
F

8

1
2
3
4
5
6

| | |
|----------|---------------------------------------|
| 1 | Material type |
| | SS — 316 stainless steel |
| 2 | Connector type |
| | FS — Straight joint |
| | FST — Straight bulkhead joint |
| | CAP — Tube cap |
| | JAM — Choke plug |
| | FA9 — 90° elbow |
| | FA4 — 45° elbow |
| | FT — T-junction |
| | FTB — Side tube NPT thread T-junction |
| | FTS — Straight NPT thread T-junction |
| | FQ — Four-way connection |
| 3 | Type of the first connector |
| | K — Bite type tube fittings |
| | F — NPT internal thread |
| | M — NPT external thread |

| | |
|----------|---|
| 4 | Size of the first connector |
| | British system: size value (Unit: in.) ×16 |
| | Metric system: size value (Unit: mm) + "mm" |
| | For example: "12mm" indicates metric size value 12mm: |
| | 1/2×16=8, 1/2in. NPT internal thread is indicated by F8 |

| | |
|----------|-------------------------------------|
| 5 | Type of the second connector |
| | K — Bite type tube fittings |
| | F — NPT internal thread |
| | M — NPT external thread |

| | |
|----------|---|
| 6 | Size of the second connector |
| | British system: size value (Unit: in.) ×16 |
| | Metric system: size value (Unit: mm) + "mm" |

Bite type tube fittings

Structural features

Dual-ferrule structure design

Working principle

Coding rule for item No.

Order info & size

For example: SS-FA9-K12mm-F8

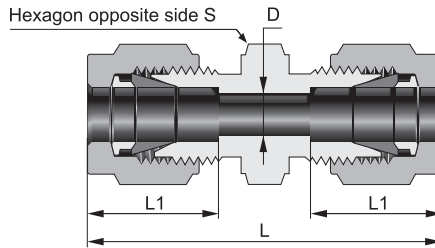
It means the 90° elbow of 316 stainless steel. One end is 12mm bite type tube fitting, while the other end is ½ NPT internal thread connector.

Note: the connector form can be combined according to the needs of users.

Order info & size

The displayed sizes are the specifications after screwing up the ferrule nut by hands (The sizes are only for reference.)

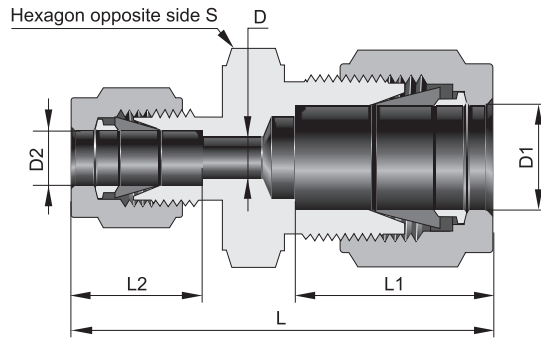
FS type joint -isometrical straight joint



| Outer diameter (OD) of ferrule tube | Item No. | Size (mm) | | | |
|--|-------------|-----------|------|------|----|
| | | L | L1 | D | S |
| Metric ferrule tube | | | | | |
| 6 | SS-FS-K6mm | 41.0 | 15.5 | 4.8 | 16 |
| 8 | SS-FS-K8mm | 43.0 | 16.0 | 6.4 | 18 |
| 10 | SS-FS-K10mm | 46.0 | 17.0 | 8.0 | 22 |
| 12 | SS-FS-K12mm | 51.0 | 23.0 | 9.5 | 24 |
| 14 | SS-FS-K14mm | 52.0 | 24.5 | 11.5 | 27 |
| 15 | SS-FS-K15mm | 52.0 | 24.5 | 12.0 | 27 |
| 16 | SS-FS-K16mm | 52.0 | 24.5 | 12.5 | 27 |
| 18 | SS-FS-K18mm | 53.5 | 24.5 | 15.0 | 30 |
| 20 | SS-FS-K20mm | 55.0 | 26.0 | 16.0 | 36 |
| 22 | SS-FS-K22mm | 55.0 | 26.0 | 18.0 | 36 |
| 25 | SS-FS-K25mm | 65.0 | 31.5 | 22.0 | 42 |
| Imperial ferrule tube | | | | | |
| 1/4 | SS-FS-K4 | 41.0 | 15.5 | 4.8 | 16 |
| 5/16 | SS-FS-K5 | 43.0 | 16.0 | 6.4 | 18 |
| 3/8 | SS-FS-K6 | 46.0 | 17.0 | 8.0 | 22 |
| 1/2 | SS-FS-K8 | 52.0 | 24.5 | 11.5 | 27 |
| 5/8 | SS-FS-K10 | 52.0 | 24.5 | 12.5 | 27 |
| 3/4 | SS-FS-K12 | 55.0 | 26.0 | 16.0 | 36 |
| 7/8 | SS-FS-K14 | 55.0 | 26.0 | 18.0 | 36 |
| 1 | SS-FS-K16 | 65.0 | 31.5 | 22.0 | 42 |

- Bite type tube fittings**
- Structural features
- Dual-ferrule structure design
- Working principle
- Coding rule for item No.
- Order info & size**

FS type joint -reducing straight joint



| Ferrule tube OD | | Item No. | Size (mm) | | | | |
|-----------------------|------|-------------------|-----------|------|------|------|----|
| D1 | D2 | | L | L1 | L2 | D | S |
| Metric ferrule tube | | | | | | | |
| 8 | 6 | SS-FS-K8mm-K6mm | 42.5 | 16.5 | 15.5 | 4.8 | 16 |
| 10 | 6 | SS-FS-K10mm-K6mm | 44.5 | 17.5 | 15.5 | 4.8 | 18 |
| | 8 | SS-FS-K10mm-K8mm | 45.5 | | 16.5 | 6.4 | |
| 12 | 6 | SS-FS-K12mm-K6mm | 47.0 | 23.0 | 15.5 | 4.8 | 22 |
| | 8 | SS-FS-K12mm-K8mm | 48.0 | | 16.5 | 6.4 | |
| | 10 | SS-FS-K12mm-K10mm | 49.0 | | 17.5 | 8.0 | |
| 16 | 10 | SS-FS-K16mm-K10mm | 46.0 | 25.0 | 17.5 | 8.0 | 24 |
| | 12 | SS-FS-K16mm-K12mm | 52.0 | | 23.0 | 9.5 | |
| 18 | 12 | SS-FS-K18mm-K12mm | 53.5 | 25.0 | 22.8 | 9.5 | 27 |
| 25 | 18 | SS-FS-K25mm-K18mm | 61.0 | 32.0 | 24.4 | 15.0 | 36 |
| | 20 | SS-FS-K25mm-K20mm | 62.5 | | 26.0 | 16.0 | |
| Imperial ferrule tube | | | | | | | |
| 5/16 | 1/4 | SS-FS-K5-K4 | 42.5 | 16.5 | 15.5 | 4.8 | 16 |
| 3/8 | 1/4 | SS-FS-K6-K4 | 44.5 | 17.5 | 15.5 | 4.8 | 18 |
| | 5/16 | SS-FS-K6-K5 | 45.5 | | 16.5 | 6.4 | |
| 1/2 | 1/4 | SS-FS-K8-K4 | 45.5 | 23.0 | 17.0 | 8.0 | 18 |
| | 3/8 | SS-FS-K8-K6 | 46.0 | | 17.5 | 8.0 | 24 |
| 5/8 | 3/8 | SS-FS-K10-K6 | 46.0 | 25.0 | 17.5 | 8.0 | 24 |
| 1 | 3/4 | SS-FS-K16-K12 | 62.5 | 32.0 | 26.0 | 16.0 | 36 |

Bite type tube fittings

Structural features

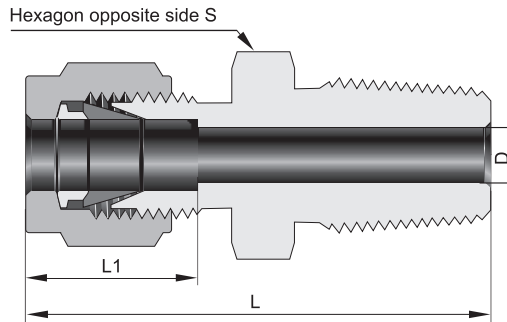
Dual-ferrule structure design

Working principle

Coding rule for item No.

Order info & size

FS type joint -straight NPT external thread



| Ferrule tube OD | NPT size (in.) | Item No. | Size (mm) | | | |
|---------------------|----------------|-----------------|-----------|------|------|----|
| | | | L | L1 | D | S |
| Metric ferrule tube | | | | | | |
| 6 | 1/8 | SS-FS-K6mm-M2 | 33.0 | 15.5 | 4.8 | 14 |
| | 1/4 | SS-FS-K6mm-M4 | 38.0 | | | 14 |
| | 3/8 | SS-FS-K6mm-M6 | 38.5 | | | 18 |
| | 1/2 | SS-FS-K6mm-M8 | 45.0 | | | 22 |
| 8 | 1/8 | SS-FS-K8mm-M2 | 34.5 | 16.5 | 6.4 | 17 |
| | 1/4 | SS-FS-K8mm-M4 | 39.0 | | | 17 |
| | 3/8 | SS-FS-K8mm-M6 | 39.5 | | | 19 |
| | 1/2 | SS-FS-K8mm-M8 | 46.0 | | | 22 |
| 10 | 1/8 | SS-FS-K10mm-M2 | 36.5 | 17.5 | 8.0 | 19 |
| | 1/4 | SS-FS-K10mm-M4 | 41.0 | | | 19 |
| | 3/8 | SS-FS-K10mm-M6 | 41.0 | | | 19 |
| | 1/2 | SS-FS-K10mm-M8 | 47.0 | | | 22 |
| | 3/4 | SS-FS-K10mm-M12 | 48.0 | | | 27 |
| 12 | 1/8 | SS-FS-K12mm-M2 | 39.0 | 23.0 | 9.5 | 22 |
| | 1/4 | SS-FS-K12mm-M4 | 43.5 | | | 22 |
| | 3/8 | SS-FS-K12mm-M6 | 43.5 | | | 22 |
| | 1/2 | SS-FS-K12mm-M8 | 49.0 | | | 22 |
| | 3/4 | SS-FS-K12mm-M12 | 50.5 | | | 27 |
| 14 | 1/4 | SS-FS-K14mm-M4 | 44.5 | 24.5 | 11.0 | 24 |
| | 3/8 | SS-FS-K14mm-M6 | 44.5 | | | |
| | 1/2 | SS-FS-K14mm-M8 | 49.0 | | | |
| 15 | 1/2 | SS-FS-K15mm-M8 | 49.0 | 24.5 | 12.0 | 24 |
| 16 | 3/8 | SS-FS-K16mm-M6 | 44.5 | 24.5 | 12.5 | 24 |
| | 1/2 | SS-FS-K16mm-M8 | 49.0 | | | |
| | 3/4 | SS-FS-K16mm-M12 | 50.5 | | | |
| 18 | 1/2 | SS-FS-K18mm-M8 | 50.5 | 24.5 | 15.0 | 27 |
| | 3/4 | SS-FS-K18mm-M12 | 50.5 | | | |
| 20 | 1/2 | SS-FS-K20mm-M8 | 52.5 | 26.0 | 16.0 | 30 |
| | 3/4 | SS-FS-K20mm-M12 | 52.5 | | | |
| 22 | 3/4 | SS-FS-K22mm-M12 | 52.5 | 26.0 | 18.5 | 36 |
| | 1 | SS-FS-K22mm-M16 | 57.5 | | | |
| 25 | 1/2 | SS-FS-K25mm-M8 | 57.5 | 31.5 | 22.0 | 36 |
| | 3/4 | SS-FS-K25mm-M12 | 57.5 | | | |
| | 1 | SS-FS-K25mm-M16 | 62.5 | | | |

- Bite type tube fittings**
- Structural features
 - Dual-ferrule structure design
- Working principle
- Coding rule for item No.
- Order info & size**

| Ferrule tube OD | NPT size (in.) | Item No. | Size (mm) | | | |
|-----------------------|-------------------|---------------|-----------|------|------|----|
| | | | L | L1 | D | S |
| Imperial ferrule tube | | | | | | |
| 1/4 | 1/8 | SS-FS-K4-M2 | 33.0 | 15.5 | 4.8 | 14 |
| | 1/4 | SS-FS-K4-M4 | 38.0 | | | 14 |
| | 3/8 | SS-FS-K4-M6 | 38.5 | | | 19 |
| | 1/2 | SS-FS-K4-M8 | 45.0 | | | 22 |
| 5/16 | 1/8 | SS-FS-K5-M2 | 34.5 | 16.5 | 4.8 | 17 |
| | 1/4 | SS-FS-K5-M4 | 39.0 | | 6.4 | 17 |
| | 3/8 | SS-FS-K5-M6 | 39.5 | | 6.4 | 19 |
| | 1/2 | SS-FS-K5-M8 | 46.0 | | 6.4 | 22 |
| 3/8 | 1/8 | SS-FS-K6-M2 | 36.5 | 17.5 | 4.8 | 19 |
| | 1/4 | SS-FS-K6-M4 | 41.0 | | 7.0 | 19 |
| | 3/8 | SS-FS-K6-M6 | 41.0 | | 8.0 | 19 |
| | 1/2 | SS-FS-K6-M8 | 47.0 | | 8.0 | 22 |
| | 3/4 | SS-FS-K6-M12 | 48.0 | | 8.0 | 27 |
| 1/2 | 1/4 | SS-FS-K8-M4 | 44.5 | 24.5 | 7.0 | 24 |
| | 3/8 | SS-FS-K8-M6 | 44.5 | | 9.5 | |
| | 1/2 | SS-FS-K8-M8 | 49.0 | | 11.0 | |
| 5/8 | 3/8 | SS-FS-K10-M6 | 44.5 | 24.5 | 9.5 | 24 |
| | 1/2 | SS-FS-K10-M8 | 49.0 | | 12.0 | 24 |
| | 3/4 | SS-FS-K10-M12 | 50.5 | | 12.5 | 27 |
| 3/4 | 1/2 | SS-FS-K12-M8 | 52.5 | 26.5 | 12.0 | 30 |
| | 3/4 | SS-FS-K12-M12 | | | 16.0 | |
| 7/8 | 3/4 | SS-FS-K14-M12 | 52.5 | 26.0 | 16.0 | 30 |
| | 1 | SS-FS-K14-M16 | | | 18.5 | |
| 1 | 1/2 | SS-FS-K16-M8 | 57.5 | 31.5 | 12.0 | 36 |
| | 3/4 | SS-FS-K16-M12 | | | 16.0 | |
| | 1 | SS-FS-K16-M16 | | | 22.0 | |

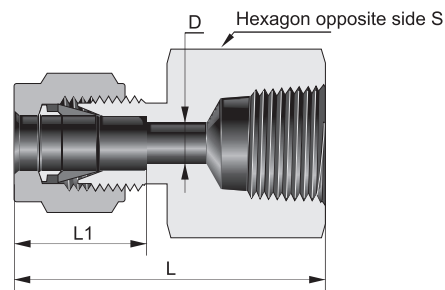
Bite type tube fittings

Structural features

 Dual-ferrule
structure design

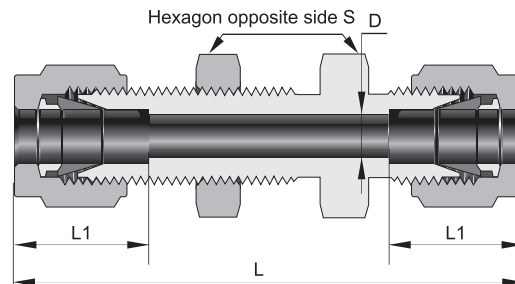
Working principle

 Coding rule for
item No.

Order info & size
FS type joint -straight NPT internal thread


| Ferrule tube OD | NPT size (in.) | Item No. | Size (mm) | | | |
|---------------------|-------------------|---------------|-----------|------|-----|----|
| | | | L | L1 | D | S |
| Metric ferrule tube | | | | | | |
| 6 | 1/8 | SS-FS-K6mm-F2 | 31.5 | 15.5 | 4.8 | 14 |
| | 1/4 | SS-FS-K6mm-F4 | 34.0 | | | 19 |
| | 3/8 | SS-FS-K6mm-F6 | 38.0 | | | 22 |
| | 1/2 | SS-FS-K6mm-F8 | 42.5 | | | 27 |
| 8 | 1/8 | SS-FS-K8mm-F2 | 32.5 | 16.5 | 6.4 | 17 |
| | 1/4 | SS-FS-K8mm-F4 | 37.0 | | | 19 |

| Ferrule tube OD | NPT size (in.) | Item No. | Size (mm) | | | | |
|---|--------------------|-----------------|---------------|------|------|------|------|
| | | | L | L1 | D | S | |
| Metric ferrule tube | | | | | | | |
| 8 | 3/8 | SS-FS-K8mm-F6 | 38.5 | 16.5 | 6.4 | 22 | |
| | 1/2 | SS-FS-K8mm-F8 | 43.5 | | | 27 | |
| 10 | 1/4 | SS-FS-K10mm-F4 | 38.0 | 17.5 | 8.0 | 19 | |
| | 3/8 | SS-FS-K10mm-F6 | 39.5 | | | 22 | |
| 12 | 1/2 | SS-FS-K10mm-F8 | 44.5 | 23.0 | 9.5 | 27 | |
| | 1/4 | SS-FS-K12mm-F4 | 40.5 | | | 22 | |
| 15 | 3/8 | SS-FS-K12mm-F6 | 42.0 | 24.5 | 12.0 | 22 | |
| | 1/2 | SS-FS-K12mm-F8 | 47.0 | | | 27 | |
| 16 | 1/2 | SS-FS-K15mm-F8 | 47.0 | 24.5 | 12.5 | 27 | |
| 20 | 1/2 | SS-FS-K16mm-F8 | 47.0 | 26.0 | 16.0 | 30 | |
| | 3/4 | SS-FS-K20mm-F8 | 48.0 | | | 36 | |
| 22 | 3/4 | SS-FS-K20mm-F12 | 50.0 | 26.0 | 18.5 | 36 | |
| | 1 | SS-FS-K22mm-F12 | 50.0 | | | 41 | |
| 25 | 1 | SS-FS-K22mm-F16 | 58.0 | 31.5 | 22.0 | 41 | |
| | 3/4 | SS-FS-K25mm-F12 | 53.5 | | | 36 | |
| 25 | 1 | SS-FS-K25mm-F16 | 62.5 | 31.5 | 22.0 | 41 | |
| | 3/4 | SS-FS-K25mm-F16 | 62.5 | | | 36 | |
| Imperial ferrule tube | | | | | | | |
| Structural features Dual-ferrule structure design | 1/4 | 1/8 | SS-FS-K4-F2 | 31.5 | 15.5 | 4.8 | 14 |
| | | 1/4 | SS-FS-K4-F4 | 36.0 | | | 19 |
| | | 3/8 | SS-FS-K4-F6 | 38.0 | | | 22 |
| | | 1/2 | SS-FS-K4-F8 | 42.5 | | | 27 |
| Working principle | 5/16 | 1/8 | SS-FS-K5-F2 | 32.5 | 16.5 | 6.4 | 17 |
| | | 1/4 | SS-FS-K5-F4 | 37.0 | | | 19 |
| | | 3/8 | SS-FS-K5-F6 | 38.5 | | | 22 |
| | | 1/2 | SS-FS-K5-F8 | 43.5 | | | 27 |
| Coding rule for item No. | 3/8 | 1/4 | SS-FS-K6-F4 | 38.0 | 17.5 | 8.0 | 19 |
| | | 3/8 | SS-FS-K6-F6 | 39.5 | | | 22 |
| | | 1/2 | SS-FS-K6-F8 | 44.5 | | | 27 |
| | | 1/4 | SS-FS-K8-F4 | 44.5 | | | 17.5 |
| Order info & size | 1/2 | 1/2 | SS-FS-K8-F8 | 47.0 | 24.5 | 12.5 | 27 |
| | | 5/8 | SS-FS-K10-F8 | 47.0 | 24.5 | 12.5 | 27 |
| | 3/4 | 1/2 | SS-FS-K12-F8 | 48.0 | 26.0 | 16.0 | 30 |
| | | 3/4 | SS-FS-K12-F12 | 50.0 | 26.0 | 16.0 | 36 |
| 7/8 | 3/4 | SS-FS-K14-F12 | 50.0 | 26.0 | 18.5 | 36 | |
| | 1 | SS-FS-K14-F16 | 58.0 | | | 41 | |
| 1 | 3/4 | SS-FS-K16-F12 | 53.5 | 31.5 | 22.0 | 36 | |
| | 1 | SS-FS-K16-F16 | 62.5 | | | 41 | |

FST type joint -bulkhead straight joint


| Ferrule tube OD | Item No. | Size (mm) | | | | | |
|-----------------------|--------------|-----------|------|------|----|--------------------|----------------------|
| | | L | L1 | D | S | Size of panel hole | Max. panel thickness |
| Metric ferrule tube | | | | | | | |
| 6 | SS-FST-K6mm | 58.0 | 15.5 | 4.8 | 16 | 11.5 | 10.0 |
| 8 | SS-FST-K8mm | 61.0 | 16.5 | 6.4 | 18 | 13.0 | 11.0 |
| 10 | SS-FST-K10mm | 64.0 | 17.5 | 8.0 | 22 | 16.5 | 12.5 |
| 12 | SS-FST-K12mm | 71.0 | 23.0 | 9.5 | 24 | 19.5 | |
| 14 | SS-FST-K14mm | 72.5 | 24.5 | 11.0 | 27 | 22.5 | |
| 15 | SS-FST-K15mm | 72.5 | 24.5 | 12.0 | | 23.0 | |
| 16 | SS-FST-K16mm | 72.5 | 24.5 | 12.5 | 30 | 26.0 | 16.5 |
| 18 | SS-FST-K18mm | 79.0 | 24.5 | 15.0 | | | 36 |
| 20 | SS-FST-K20mm | 84.5 | 26.0 | 16.0 | 36 | 29.0 | 19 |
| 25 | SS-FST-K25mm | 96.0 | 31.5 | 22.0 | 41 | 34.0 | |
| Imperial ferrule tube | | | | | | | |
| 1/4 | SS-FST-K4 | 58.0 | 15.5 | 4.8 | 16 | 11.5 | 10.0 |
| 5/16 | SS-FST-K5 | 61.0 | 16.5 | 6.4 | 18 | 13.0 | 11.0 |
| 3/8 | SS-FST-K6 | 64.0 | 17.5 | 8.0 | 22 | 16.5 | 12.5 |
| 1/2 | SS-FST-K8 | 72.5 | 24.5 | 11.0 | 27 | 22.5 | |
| 5/8 | SS-FST-K10 | 72.5 | 24.5 | 12.5 | | 36 | 29.0 |
| 3/4 | SS-FST-K12 | 84.5 | 26.0 | 16.0 | 36 | 29.0 | |
| 1 | SS-FST-K16 | 96.0 | 31.5 | 22.0 | 41 | 34.0 | |

Bite type tube fittings

Structural features

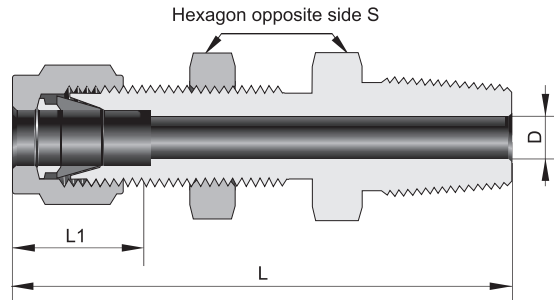
Dual-ferrule structure design

Working principle

Coding rule for item No.

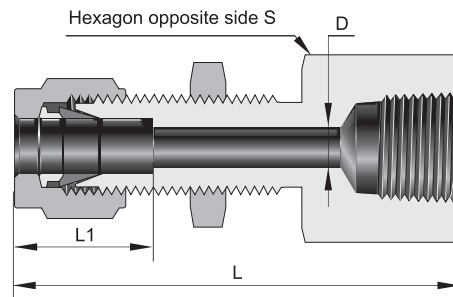
Order info & size

FST type joint -bulkhead NPT external thread



| Ferrule tube OD | NPT size (in.) | Item No. | Size (mm) | | | | | |
|-----------------------|----------------|-----------------|-----------|------|------|----|--------------------|----------------------|
| | | | L | L1 | D | S | Size of panel hole | Max. panel thickness |
| Metric ferrule tube | | | | | | | | |
| 6 | 1/8 | SS-FST-K6mm-M2 | 49.5 | 15.5 | 4.8 | 17 | 11.5 | 10.0 |
| | 1/4 | SS-FST-K6mm-M4 | 54.0 | | | | | |
| 12 | 1/2 | SS-FST-K12mm-M8 | 69.0 | 23.0 | 9.5 | 24 | 19.5 | 12.5 |
| Imperial ferrule tube | | | | | | | | |
| 1/4 | 1/8 | SS-FST-K4-M2 | 49.5 | 15.5 | 4.8 | 17 | 11.5 | 10.0 |
| | 1/4 | SS-FST-K4-M4 | 54.0 | | | | | |
| 1/2 | 3/8 | SS-FST-K8-M6 | 63.0 | 23.0 | 9.5 | 24 | 19.5 | 12.7 |
| | 1/2 | SS-FST-K8-M8 | 69.0 | | 10.5 | | | |

FST type joint -bulkhead NPT internal thread



| Ferrule tube OD | NPT size (in.) | Item No. | Size (mm) | | | | | |
|-----------------------|----------------|-----------------|-----------|------|------|----|--------------------|-------------------------|
| | | | L | L1 | D | S | Size of panel bore | Max. thickness of panel |
| Metric ferrule tube | | | | | | | | |
| 6 | 1/4 | SS-FST-K6mm-F4 | 52.0 | 15.5 | 4.8 | 19 | 11.5 | 10.0 |
| 12 | 1/2 | SS-FST-K12mm-F8 | 66.5 | 23.0 | 9.5 | 27 | 19.5 | 12.5 |
| Imperial ferrule tube | | | | | | | | |
| 1/4 | 1/4 | SS-FST-K4-F4 | 52.0 | 15.5 | 4.8 | 19 | 11.5 | 10.0 |
| 1/2 | 3/8 | SS-FST-K8-F6 | 62.0 | 23.0 | 10.5 | 24 | 27 | 12.7 |
| | 1/2 | SS-FST-K8-F8 | 66.5 | | | 27 | | |

Bite type tube fittings

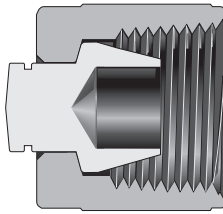
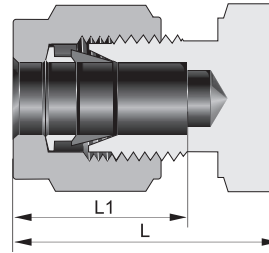
Structural features

Dual-ferrule structure design

Working principle

Coding rule for item No.

Order info & size

JAM type joint -choke plug

CAP type joint -tube cap


| Ferrule tube OD | Item No. | Size (mm) | |
|-----------------------|--------------|-----------|------|
| | | L | L1 |
| Metric ferrule tube | | | |
| 6 | SS-JAM-K6mm | 23.5 | 15.5 |
| 8 | SS-JAM-K8mm | 24.5 | 16.5 |
| 10 | SS-JAM-K10mm | 27.0 | 17.5 |
| 12 | SS-JAM-K12mm | 31.0 | 23.0 |
| 15 | SS-JAM-K15mm | 31.5 | 24.5 |
| 16 | SS-JAM-K16mm | 31.5 | 24.5 |
| 18 | SS-JAM-K18mm | 32.5 | 24.5 |
| 20 | SS-JAM-K20mm | 35.0 | 26.0 |
| 22 | SS-JAM-K22mm | 35.0 | 26.0 |
| 25 | SS-JAM-K25mm | 41.0 | 31.5 |
| Imperial ferrule tube | | | |
| 1/4 | SS-JAM-K4 | 23.5 | 15.5 |
| 5/16 | SS-JAM-K5 | 24.5 | 16.5 |
| 3/8 | SS-JAM-K6 | 27.0 | 17.5 |
| 1/2 | SS-JAM-K8 | 31.5 | 24.5 |
| 5/8 | SS-JAM-K10 | 31.5 | 24.5 |
| 3/4 | SS-JAM-K12 | 35.0 | 26.0 |
| 7/8 | SS-JAM-K14 | 35.0 | 26.0 |
| 1 | SS-JAM-K16 | 41.0 | 31.5 |

| Ferrule tube OD | Item No. | Size (mm) | |
|-----------------------|--------------|-----------|------|
| | | L | L1 |
| Metric ferrule tube | | | |
| 6 | SS-CAP-K6mm | 23.5 | 15.5 |
| 8 | SS-CAP-K8mm | 24.5 | 16.5 |
| 10 | SS-CAP-K10mm | 27.0 | 17.5 |
| 12 | SS-CAP-K12mm | 31.0 | 23.0 |
| 14 | SS-CAP-K14mm | 31.5 | 24.5 |
| 15 | SS-CAP-K15mm | 31.5 | 24.5 |
| 16 | SS-CAP-K16mm | 31.5 | 24.5 |
| 18 | SS-CAP-K18mm | 32.5 | 24.5 |
| 20 | SS-CAP-K20mm | 35.0 | 26.0 |
| 22 | SS-CAP-K22mm | 35.0 | 26.0 |
| 25 | SS-CAP-K25mm | 41.0 | 31.5 |
| Imperial ferrule tube | | | |
| 1/4 | SS-CAP-K4 | 23.5 | 15.5 |
| 5/16 | SS-CAP-K5 | 24.5 | 16.5 |
| 3/8 | SS-CAP-K6 | 27.0 | 17.5 |
| 1/2 | SS-CAP-K8 | 31.5 | 24.5 |
| 5/8 | SS-CAP-K10 | 31.5 | 24.5 |
| 3/4 | SS-CAP-K12 | 35.0 | 26.0 |
| 7/8 | SS-CAP-K14 | 35.0 | 26.0 |
| 1 | SS-CAP-K16 | 41.0 | 31.5 |

Bite type tube fittings

Structural features

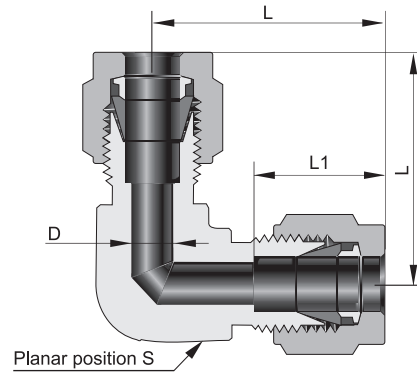
Dual-ferrule structure design

Working principle

Coding rule for item No.

Order info & size

FA9 type joint - isometrical 90° elbow

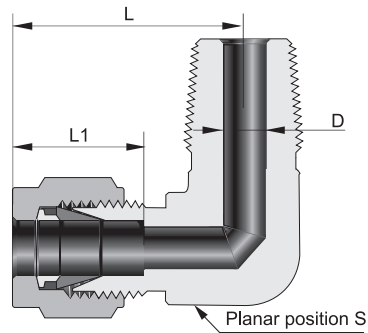


| Ferrule tube OD | Item No. | Size (mm) | | | |
|-----------------------|--------------|-----------|------|------|----------------|
| | | L | L1 | D | S ^① |
| Metric ferrule tube | | | | | |
| 6 | SS-FA9-K6mm | 27.0 | 15.5 | 4.8 | 14 |
| 8 | SS-FA9-K8mm | 29.0 | 16.5 | 6.4 | 14 |
| 10 | SS-FA9-K10mm | 31.5 | 17.5 | 8.0 | 17 |
| 12 | SS-FA9-K12mm | 36.0 | 23.0 | 9.5 | 22 |
| 14 | SS-FA9-K14mm | 38.0 | 24.5 | 11.0 | 24 |
| 15 | SS-FA9-K15mm | 38.0 | 24.5 | 12.0 | 24 |
| 16 | SS-FA9-K16mm | 38.0 | 24.5 | 12.5 | 24 |
| 18 | SS-FA9-K18mm | 40.0 | 24.5 | 15.0 | 27 |
| 20 | SS-FA9-K20mm | 45.0 | 26.0 | 16.0 | 36 |
| 22 | SS-FA9-K22mm | 45.0 | 26.0 | 18.5 | 36 |
| 25 | SS-FA9-K25mm | 49.5 | 31.5 | 22.0 | 36 |
| Imperial ferrule tube | | | | | |
| 1/4 | SS-FA9-K4 | 27.0 | 15.5 | 4.8 | 14 |
| 5/16 | SS-FA9-K5 | 29.0 | 16.5 | 6.4 | 14 |
| 3/8 | SS-FA9-K6 | 31.5 | 17.5 | 8.0 | 17 |
| 1/2 | SS-FA9-K8 | 38.0 | 24.5 | 11.0 | 24 |
| 5/8 | SS-FA9-K10 | 38.0 | 24.5 | 12.5 | 24 |
| 3/4 | SS-FA9-K12 | 45.0 | 26.0 | 16.0 | 36 |
| 7/8 | SS-FA9-K14 | 45.0 | 26.0 | 18.5 | 36 |
| 1 | SS-FA9-K16 | 49.5 | 31.5 | 22.0 | 36 |

① Planar position S is the thickness of the middle part of the joint.

| |
|--------------------------------|
| Bite type tube fittings |
| Structural features |
| Dual-ferrule structure design |
| Working principle |
| Coding rule for item No. |
| Order info & size |

FA9 type joint - NPT external thread 90° elbow



| Ferrule tube OD | NPT size (in.) | Item No. | Size (mm) | | | | | |
|-----------------------|-------------------|------------------|-----------|------|------|------|------|------|
| | | | L | L1 | D | S | | |
| Metric ferrule tube | | | | | | | | |
| 6 | 1/8 | SS-FA9-K6mm-M2 | 27.0 | 15.5 | 4.8 | 14 | | |
| | 1/4 | SS-FA9-K6mm-M4 | 27.0 | | | 14 | | |
| | 3/8 | SS-FA9-K6mm-M6 | 30.0 | | | 17 | | |
| | 1/2 | SS-FA9-K6mm-M8 | 32.0 | | | 22 | | |
| 8 | 1/8 | SS-FA9-K8mm-M2 | 29.0 | 16.5 | 4.8 | 14 | | |
| | 1/4 | SS-FA9-K8mm-M4 | 29.0 | | | 14 | | |
| | 3/8 | SS-FA9-K8mm-M6 | 31.0 | | | 17 | | |
| | 1/2 | SS-FA9-K8mm-M8 | 33.0 | | | 22 | | |
| 10 | 1/8 | SS-FA9-K10mm-M2 | 31.5 | 17.5 | 4.8 | 17 | | |
| | 1/4 | SS-FA9-K10mm-M4 | 31.5 | | | 17 | | |
| | 3/8 | SS-FA9-K10mm-M6 | 31.5 | | | 17 | | |
| | 1/2 | SS-FA9-K10mm-M8 | 33.5 | | | 22 | | |
| 12 | 1/4 | SS-FA9-K12mm-M4 | 36.0 | 23.0 | 7.0 | 22 | | |
| | 3/8 | SS-FA9-K12mm-M6 | 36.0 | | | 22 | | |
| | 1/2 | SS-FA9-K12mm-M8 | 36.0 | | | 22 | | |
| | 3/4 | SS-FA9-K12mm-M12 | 40.0 | | | 27 | | |
| 15 | 1/2 | SS-FA9-K15mm-M8 | 38.0 | 24.5 | 12.0 | 24 | | |
| | 3/8 | SS-FA9-K16mm-M6 | 38.0 | | | 24 | | |
| | 1/2 | SS-FA9-K16mm-M8 | 38.0 | | | 24 | | |
| 16 | 3/4 | SS-FA9-K16mm-M12 | 40.0 | 24.5 | 12.5 | 27 | | |
| | 1/2 | SS-FA9-K18mm-M8 | 40.0 | | | 24.5 | 12.0 | 27 |
| | 3/4 | SS-FA9-K18mm-M12 | 40.0 | | | | | 15.0 |
| 20 | 1/2 | SS-FA9-K20mm-M8 | 45.0 | 26.0 | 12.0 | 36 | | |
| | 3/4 | SS-FA9-K20mm-M12 | | | | | 16.0 | |
| 22 | 3/4 | SS-FA9-K22mm-M12 | 45.0 | 26.0 | 16.0 | 36 | | |
| | 1 | SS-FA9-K22mm-M16 | | | | | 18.5 | |
| 25 | 3/4 | SS-FA9-K25mm-M12 | 49.5 | 31.5 | 16.0 | 36 | | |
| | 1 | SS-FA9-K25mm-M16 | | | | | 22.0 | |
| Imperial ferrule tube | | | | | | | | |
| 1/4 | 1/8 | SS-FA9-K4-M2 | 27.0 | 15.5 | 4.8 | 14 | | |
| | 1/4 | SS-FA9-K4-M4 | 27.0 | | | 14 | | |
| | 3/8 | SS-FA9-K4-M6 | 30.0 | | | 17 | | |
| | 1/2 | SS-FA9-K4-M8 | 32.0 | | | 22 | | |
| 5/16 | 1/8 | SS-FA9-K5-M2 | 29.0 | 16.5 | 4.8 | 14 | | |
| | 1/4 | SS-FA9-K5-M4 | 29.0 | | | 14 | | |

Bite type tube fittings

Structural features

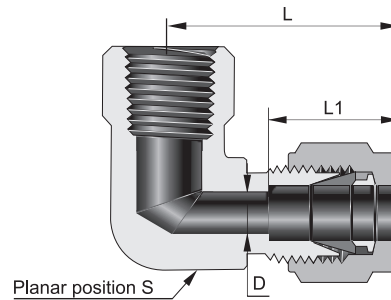
 Dual-ferrule
structure design

Working principle

 Coding rule for
item No.

Order info & size

| Ferrule tube OD | NPT size (in.) | Item No. | Size (mm) | | | |
|------------------------------|----------------|----------------|-----------|------|------|------|
| | | | L | L1 | D | S |
| Imperial ferrule tube | | | | | | |
| 5/16 | 3/8 | SS-FA9-K5-M6 | 31.0 | 16.5 | 6.4 | 17 |
| | 1/2 | SS-FA9-K5-M8 | 33.0 | | 6.4 | 22 |
| 3/8 | 1/8 | SS-FA9-K6-M2 | 31.5 | 17.5 | 4.8 | 17 |
| | 1/4 | SS-FA9-K6-M4 | 31.5 | | 7.0 | 17 |
| | 1/2 | SS-FA9-K6-M8 | 33.5 | | 8.0 | 22 |
| 1/2 | 1/4 | SS-FA9-K8-M4 | 36.0 | 23.0 | 9.5 | 20.5 |
| | 1/2 | SS-FA9-K8-M8 | | | 10.5 | |
| 5/8 | 3/8 | SS-FA9-K10-M6 | 38.0 | 24.5 | 9.5 | 24 |
| | 1/2 | SS-FA9-K10-M8 | 38.0 | | 12.0 | 24 |
| | 3/4 | SS-FA9-K10-M12 | 40.0 | | 12.5 | 27 |
| 3/4 | 1/2 | SS-FA9-K12-M8 | 45.0 | 26.0 | 12.0 | 36 |
| | 3/4 | SS-FA9-K12-M12 | | | 16.0 | |
| 7/8 | 3/4 | SS-FA9-K14-M12 | 45.0 | 26.0 | 16.0 | 36 |
| | 1 | SS-FA9-K14-M16 | | | 18.5 | |
| 1 | 3/4 | SS-FA9-K16-M12 | 49.5 | 31.5 | 16.0 | 36 |
| | 1 | SS-FA9-K16-M16 | | | 22.0 | |

FA9 type joint - NPT internal thread 90° elbow


| Ferrule tube OD | NPT size (in.) | Item No. | Size (mm) | | | |
|------------------------------|----------------|-----------------|-----------------|------|------|------|
| | | | L | L1 | D | S |
| Metric ferrule tube | | | | | | |
| 6 | 1/8 | SS-FA9-K6mm-F2 | 27.0 | 15.5 | 4.8 | 14 |
| | 1/4 | SS-FA9-K6mm-F4 | 30.0 | | | 17 |
| | 1/2 | SS-FA9-K6mm-F8 | 35.0 | | | 27 |
| 8 | 1/4 | SS-FA9-K8mm-F4 | 31.0 | 16.5 | 6.4 | 17 |
| | 10 | 1/8 | SS-FA9-K10mm-F2 | 31.5 | 17.5 | 8.0 |
| 1/4 | | SS-FA9-K10mm-F4 | 33.5 | 22 | | |
| 12 | 1/4 | SS-FA9-K12mm-F4 | 36.0 | 23.0 | 9.5 | 22 |
| | 1/2 | SS-FA9-K12mm-F8 | 39.0 | | | 27 |
| 16 | 1/2 | SS-FA9-K16mm-F8 | 39.5 | 24.5 | 12.5 | 27 |
| Imperial ferrule tube | | | | | | |
| 1/4 | 1/8 | SS-FA9-K4-F2 | 27.0 | 15.5 | 4.8 | 14 |
| | 1/4 | SS-FA9-K4-F4 | 30.0 | | | 17 |
| | 1/2 | SS-FA9-K4-F8 | 35.0 | | | 27 |
| 5/16 | 1/4 | SS-FA9-K5-F4 | 31.0 | 16.5 | 6.4 | 17 |
| 3/8 | 1/8 | SS-FA9-K6-F2 | 31.5 | 17.5 | 8.0 | 17 |
| | 1/4 | SS-FA9-K6-F4 | 33.5 | | | 22 |
| 1/2 | 3/8 | SS-FA9-K8-F6 | 36.0 | 23.0 | 10.5 | 20.5 |
| | 1/2 | SS-FA9-K8-F8 | 39.0 | | | 25.4 |
| 5/8 | 1/2 | SS-FA9-K10-F8 | 39.5 | 24.5 | 12.5 | 27 |

Bite type tube fittings

Structural features

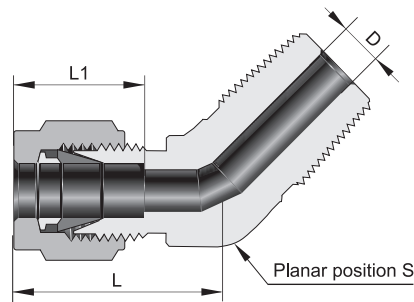
Dual-ferrule structure design

Working principle

Coding rule for item No.

Order info & size

FA4 type joint - NPT external thread 45° elbow



| Ferrule tube OD | NPT size (in.) | Item No. | Size (mm) | | | |
|-----------------------|----------------|------------------|-----------|------|------|----|
| | | | L | L1 | D | S |
| Metric ferrule tube | | | | | | |
| 6 | 1/8 | SS-FA4-K6mm-M2 | 27.0 | 15.5 | 4.8 | 14 |
| | 1/4 | SS-FA4-K6mm-M4 | 27.0 | | | 14 |
| | 3/8 | SS-FA4-K6mm-M6 | 30.0 | | | 17 |
| | 1/2 | SS-FA4-K6mm-M8 | 32.0 | | | 22 |
| 8 | 1/8 | SS-FA4-K8mm-M2 | 29.0 | 16.5 | 4.8 | 14 |
| | 1/4 | SS-FA4-K8mm-M4 | 29.0 | | 6.4 | 14 |
| | 3/8 | SS-FA4-K8mm-M6 | 31.0 | | 6.4 | 17 |
| | 1/2 | SS-FA4-K8mm-M8 | 33.0 | | 6.4 | 22 |
| 10 | 1/8 | SS-FA4-K10mm-M2 | 31.5 | 17.5 | 4.8 | 17 |
| | 1/4 | SS-FA4-K10mm-M4 | 31.5 | | 7.0 | 17 |
| | 3/8 | SS-FA4-K10mm-M6 | 31.5 | | 8.0 | 17 |
| | 1/2 | SS-FA4-K10mm-M8 | 33.5 | | 8.0 | 22 |
| 12 | 1/4 | SS-FA4-K12mm-M4 | 36.0 | 23.0 | 7.0 | 22 |
| | 3/8 | SS-FA4-K12mm-M6 | 36.0 | | 9.5 | 22 |
| | 1/2 | SS-FA4-K12mm-M8 | 36.0 | | 9.5 | 22 |
| | 3/4 | SS-FA4-K12mm-M12 | 40.0 | | 9.5 | 27 |
| 15 | 1/2 | SS-FA4-K15mm-M8 | 38.0 | 24.5 | 12.0 | 24 |
| | 3/8 | SS-FA4-K16mm-M6 | 38.0 | 24.5 | 9.5 | 24 |
| 16 | 1/2 | SS-FA4-K16mm-M8 | 38.0 | | 12.0 | 24 |
| | 3/4 | SS-FA4-K16mm-M12 | 40.0 | 12.5 | 27 | |
| 18 | 1/2 | SS-FA4-K18mm-M8 | 40.0 | 24.5 | 12.0 | 27 |
| | 3/4 | SS-FA4-K18mm-M12 | | 15.0 | | |
| 20 | 1/2 | SS-FA4-K20mm-M8 | 45.0 | 26.0 | 12.0 | 36 |
| | 3/4 | SS-FA4-K20mm-M12 | | 16.0 | | |
| 22 | 3/4 | SS-FA4-K22mm-M12 | 45.0 | 26.0 | 16.0 | 36 |
| | 1 | SS-FA4-K22mm-M16 | | 18.5 | | |
| 25 | 3/4 | SS-FA4-K25mm-M12 | 49.5 | 31.5 | 16.0 | 36 |
| | 1 | SS-FA4-K25mm-M16 | | 22.0 | | |
| Imperial ferrule tube | | | | | | |
| 1/4 | 1/8 | SS-FA4-K4-M2 | 27.0 | 15.5 | 4.8 | 14 |
| | 1/4 | SS-FA4-K4-M4 | 27.0 | | | 14 |
| 3/8 | 1/8 | SS-FA4-K6-M2 | 31.5 | 17.5 | 4.8 | 17 |
| | 1/4 | SS-FA4-K6-M4 | 31.5 | | 7.0 | 17 |
| | 3/8 | SS-FA4-K6-M6 | 31.5 | | 8.0 | 17 |
| 1/2 | 3/8 | SS-FA4-K8-M6 | 31.5 | 17.5 | 8.0 | 17 |
| | 1/2 | SS-FA4-K8-M8 | 39.0 | 24.5 | 11.0 | 27 |
| 3/4 | 3/4 | SS-FA4-K12-M12 | 45.0 | 26.0 | 16.0 | 36 |
| 1 | 3/4 | SS-FA4-K16-M12 | 49.5 | 31.5 | 16.0 | 36 |
| | 1 | SS-FA4-K16-M16 | | | 22.0 | |

Bite type tube fittings

Structural features

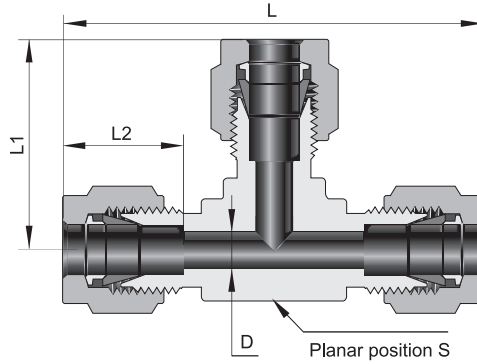
Dual-ferrule structure design

Working principle

Coding rule for item No.

Order info & size

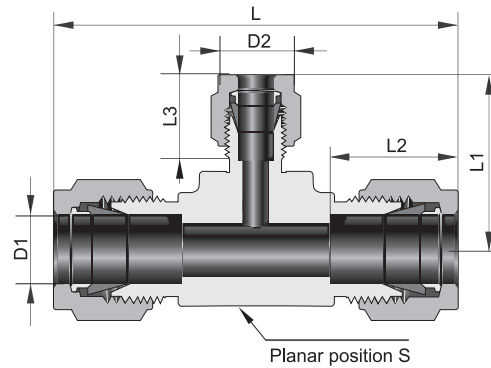
FT type joint -isometrical T-junction



| Ferrule tube OD | Item No. | Size (mm) | | | | |
|-----------------------|-------------|-----------|------|------|------|----|
| | | L | L1 | L2 | D | S |
| Metric ferrule tube | | | | | | |
| 6 | SS-FT-K6mm | 54.0 | 27.0 | 15.5 | 4.8 | 14 |
| 8 | SS-FT-K8mm | 60.0 | 30.0 | 16.5 | 6.4 | 17 |
| 10 | SS-FT-K10mm | 63.0 | 31.5 | 17.5 | 8.0 | 17 |
| 12 | SS-FT-K12mm | 72.0 | 36.0 | 23.0 | 9.5 | 22 |
| 14 | SS-FT-K14mm | 78.0 | 39.0 | 24.5 | 11.0 | 27 |
| 15 | SS-FT-K15mm | 78.0 | 39.0 | 24.5 | 12.0 | 27 |
| 16 | SS-FT-K16mm | 78.0 | 39.0 | 24.5 | 12.5 | 27 |
| 18 | SS-FT-K18mm | 80.0 | 40.0 | 24.5 | 15.0 | 27 |
| 20 | SS-FT-K20mm | 89.5 | 45.0 | 26.0 | 16.0 | 36 |
| 22 | SS-FT-K22mm | 89.5 | 45.0 | 26.0 | 18.5 | 36 |
| 25 | SS-FT-K25mm | 98.5 | 49.5 | 31.5 | 22.0 | 36 |
| Imperial ferrule tube | | | | | | |
| 1/4 | SS-FT-K4 | 54.0 | 27.0 | 15.5 | 4.8 | 14 |
| 5/16 | SS-FT-K5 | 60.0 | 30.0 | 16.5 | 6.4 | 17 |
| 3/8 | SS-FT-K6 | 63.0 | 31.5 | 17.5 | 8.0 | 17 |
| 1/2 | SS-FT-K8 | 78.0 | 39.0 | 24.5 | 11.0 | 27 |
| 5/8 | SS-FT-K10 | 78.0 | 39.0 | 24.5 | 12.5 | 27 |
| 3/4 | SS-FT-K12 | 89.5 | 45.0 | 26.0 | 16.0 | 36 |
| 7/8 | SS-FT-K14 | 89.5 | 45.0 | 26.0 | 18.5 | 36 |
| 1 | SS-FT-K16 | 98.5 | 49.5 | 31.5 | 22.0 | 36 |

| |
|--------------------------------|
| Bite type tube fittings |
| Structural features |
| Dual-ferrule structure design |
| Working principle |
| Coding rule for item No. |
| Order info & size |

FT type joint - reducing T-junction



| Ferrule tube OD | | Item No. | Size (mm) | | | | | |
|-----------------------|-----|-------------------|-----------|------|------|------|-----|------|
| D1 | D2 | | L | L1 | L2 | L3 | D | S |
| Metric ferrule tube | | | | | | | | |
| 8 | 6 | SS-FT-K8mm-K6mm | 60.0 | 29.0 | 16.5 | 15.5 | 4.8 | 17 |
| 10 | | SS-FT-K10mm-K6mm | 63.0 | 30.0 | 17.5 | 15.5 | 4.8 | 17 |
| 12 | | SS-FT-K12mm-K6mm | 72.0 | 32.0 | 23.0 | 15.5 | 4.8 | 22 |
| 15 | 12 | SS-FT-K15mm-K12mm | 78.0 | 39.0 | 24.5 | 23.0 | 9.5 | 27 |
| 16 | | SS-FT-K16mm-K12mm | 78.0 | 39.0 | 24.5 | 23.0 | 9.5 | 27 |
| 18 | | SS-FT-K18mm-K12mm | 80.0 | 39.0 | 24.5 | 23.0 | 9.5 | 27 |
| 22 | | SS-FT-K22mm-K12mm | 89.5 | 45.0 | 26.0 | 23.0 | 9.5 | 36 |
| 25 | | SS-FT-K25mm-K12mm | 98.0 | 45.0 | 31.5 | 23.0 | 9.5 | 36 |
| Imperial ferrule tube | | | | | | | | |
| 5/16 | 1/4 | SS-FT-K5-K4 | 60.0 | 29.0 | 16.5 | 15.5 | 4.8 | 17 |
| 3/8 | | SS-FT-K6-K4 | 63.0 | 30.0 | 17.5 | 15.5 | 4.8 | 17 |
| 1/2 | 1/4 | SS-FT-K8-K4 | 72.0 | 31.8 | 23.0 | 15.2 | 4.8 | 20.6 |
| | 3/8 | SS-FT-K8-K6 | 72.0 | 33.3 | 23.0 | 16.8 | 7.1 | 20.6 |

Bite type tube fittings

Structural features

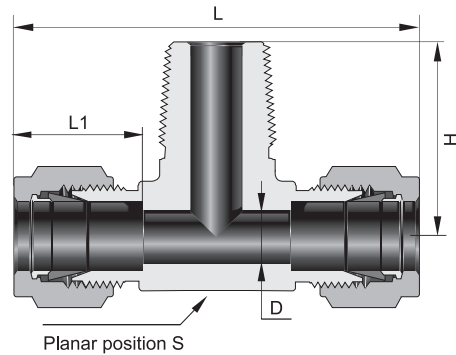
Dual-ferrule structure design

Working principle

Coding rule for item No.

Order info & size

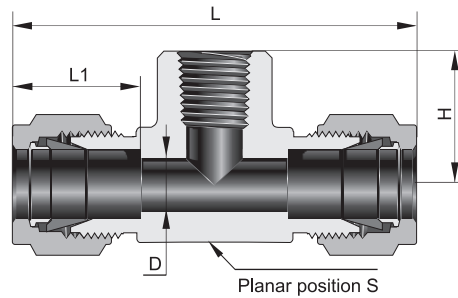
FTB type joint - side-tube NPT external thread T-junction



Bite type tube fittings

- Structural features
- Dual-ferrule structure design
- Working principle
- Coding rule for item No.
- Order info & size**

| Ferrule tube OD | NPT size (in.) | Item No. | Size (mm) | | | | | |
|-----------------------|----------------|-----------------|-----------|------|------|------|------|------|
| | | | L | L1 | H | D | S | |
| Metric ferrule tube | | | | | | | | |
| 6 | 1/8 | SS-FTB-K6mm-M2 | 54.0 | 15.5 | 19.0 | 4.8 | 14 | |
| | 1/4 | SS-FTB-K6mm-M4 | | | 23.5 | | | |
| 8 | 1/8 | SS-FTB-K8mm-M2 | 60.0 | 16.5 | 21.0 | 4.8 | 17 | |
| | 1/4 | SS-FTB-K8mm-M4 | | | 25.5 | | | 6.4 |
| 10 | 1/4 | SS-FTB-K10mm-M4 | 67.0 | 17.5 | 26.5 | 7.0 | 22 | |
| 12 | 1/4 | SS-FTB-K12mm-M4 | 72.0 | 23.0 | 28.5 | 7.0 | 22 | |
| | 3/8 | SS-FTB-K12mm-M6 | | | 28.5 | | | 9.5 |
| | 1/2 | SS-FTB-K12mm-M8 | | | 33.0 | | | 9.5 |
| 16 | 1/2 | SS-FTB-K16mm-M8 | 78.0 | 24.5 | 36.0 | 12.0 | 27 | |
| Imperial ferrule tube | | | | | | | | |
| 1/4 | 1/8 | SS-FTB-K4-M2 | 54.0 | 15.5 | 19.0 | 4.8 | 14 | |
| | 1/4 | SS-FTB-K4-M4 | | | 23.5 | | | |
| 5/16 | 1/8 | SS-FTB-K5-M2 | 60.0 | 16.5 | 21.0 | 4.8 | 17 | |
| | 1/4 | SS-FTB-K5-M4 | | | 25.5 | | | 6.4 |
| 3/8 | 1/4 | SS-FTB-K6-M4 | 67.0 | 17.5 | 26.5 | 7.0 | 22 | |
| 1/2 | 3/8 | SS-FTB-K8-M6 | 72.0 | 23.0 | 28.2 | 9.5 | 20.6 | |
| | 1/2 | SS-FTB-K8-M8 | | | 33.0 | | | 10.5 |
| 5/8 | 1/2 | SS-FTB-K10-M8 | 78.0 | 24.5 | 36.0 | 12.0 | 27 | |

FTB type joint - side-tube NPT internal thread T-junction


| Ferrule tube OD | NPT size (in.) | Item No. | Size (mm) | | | | |
|-----------------------|----------------|-----------------|-----------|------|------|------|------|
| | | | L | L1 | H | D | S |
| Metric ferrule tube | | | | | | | |
| 6 | 1/8 | SS-FTB-K6mm-F2 | 54.0 | 15.5 | 19.0 | 4.8 | 14 |
| | 1/4 | SS-FTB-K6mm-F4 | 59.5 | | 22.5 | | 17 |
| 8 | 1/8 | SS-FTB-K8mm-F2 | 60.0 | 16.5 | 19.0 | 6.4 | 17 |
| | 1/4 | SS-FTB-K8mm-F4 | 61.5 | | 22.5 | | 22 |
| 10 | 1/4 | SS-FTB-K10mm-F4 | 67.0 | 17.5 | 22.5 | 8.0 | 22 |
| 12 | 1/4 | SS-FTB-K12mm-F4 | 72.0 | 23.0 | 22.5 | 9.5 | 22 |
| | 3/8 | SS-FTB-K12mm-F6 | 72.0 | | 22.5 | | 27 |
| 16 | 1/2 | SS-FTB-K16mm-F8 | 78.0 | 24.5 | 28.5 | 12.5 | 27 |
| Imperial ferrule tube | | | | | | | |
| 1/4 | 1/8 | SS-FTB-K4-F2 | 54.0 | 15.5 | 19.0 | 4.8 | 14 |
| | 1/4 | SS-FTB-K4-F4 | 59.5 | | 22.5 | | 17 |
| 5/16 | 1/8 | SS-FTB-K5-F2 | 60.0 | 16.5 | 19.0 | 6.4 | 17 |
| | 1/4 | SS-FTB-K5-F4 | 61.5 | | 22.5 | | 22 |
| 3/8 | 1/4 | SS-FTB-K6-F4 | 67.0 | 17.5 | 22.5 | 8.0 | 22 |
| 1/2 | 1/4 | SS-FTB-K8-F4 | 72.0 | 23.0 | 22.5 | 10.4 | 20.6 |
| | 1/2 | SS-FTB-K8-F8 | 78.0 | | 28.5 | | 25.4 |
| 5/8 | 1/2 | SS-FTB-K10-F8 | 78.0 | 24.5 | 28.5 | 12.5 | 27 |

Bite type tube fittings

Structural features

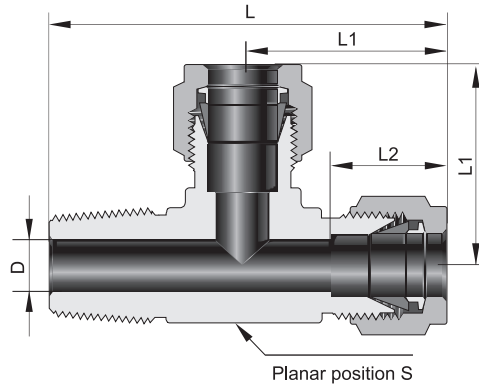
Dual-ferrule structure design

Working principle

Coding rule for item No.

Order info & size

FTS type joint - straight NPT external thread T-junction



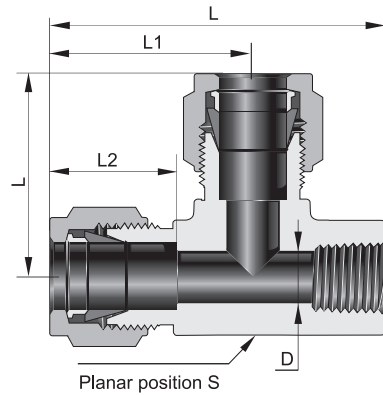
Bite type tube fittings

- Structural features
- Dual-ferrule structure design
- Working principle
- Coding rule for item No.

Order info & size

| Ferrule tube OD | NPT size (in.) | Item No. | Size (mm) | | | | |
|-----------------------|----------------|-----------------|-----------|------|------|------|------|
| | | | L | L1 | L2 | D | S |
| Metric ferrule tube | | | | | | | |
| 6 | 1/8 | SS-FTS-K6mm-M2 | 46.0 | 27.0 | 15.5 | 4.8 | 14 |
| | 1/4 | SS-FTS-K6mm-M4 | 50.5 | | | | |
| 8 | 1/4 | SS-FTS-K8mm-M4 | 55.5 | 30.0 | 16.5 | 6.4 | 17 |
| 12 | 1/4 | SS-FTS-K12mm-M4 | 64.5 | 36.0 | 23.0 | 7.0 | 22 |
| | 1/2 | SS-FTS-K12mm-M8 | 69.0 | | | | |
| 16 | 1/2 | SS-FTS-K16mm-M8 | 73.5 | 38.0 | 24.5 | 12.0 | 24 |
| Imperial ferrule tube | | | | | | | |
| 1/4 | 1/8 | SS-FTS-K4-M2 | 46.0 | 27.0 | 15.5 | 4.8 | 14 |
| | 1/4 | SS-FTS-K4-M4 | 50.5 | | | | |
| 5/16 | 1/4 | SS-FTS-K5-M4 | 55.5 | 30.0 | 16.5 | 6.4 | 17 |
| 1/2 | 3/8 | SS-FTS-K8-M6 | 64.2 | 36.0 | 22.8 | 9.6 | 20.6 |
| | 1/2 | SS-FTS-K8-M8 | 69 | | | 10.4 | |
| 5/8 | 1/2 | SS-FTS-K10-M8 | 73.5 | 38.0 | 24.5 | 12.0 | 24 |

FTS type joint - straight NPT internal thread T-junction



| Ferrule tube OD | NPT size (in.) | Item No. | Size (mm) | | | | |
|-----------------------|----------------|-----------------|-----------|------|------|------|------|
| | | | L | L1 | L2 | D | S |
| Metric ferrule tube | | | | | | | |
| 6 | 1/8 | SS-FTS-K6mm-F2 | 46.0 | 27.0 | 15.5 | 4.8 | 14 |
| | 1/4 | SS-FTS-K6mm-F4 | 52.5 | 30.0 | | | 17 |
| 8 | 1/8 | SS-FTS-K8mm-F2 | 49.0 | 30.0 | 16.5 | 6.4 | 17 |
| | 1/4 | SS-FTS-K8mm-F4 | 53.0 | 31.0 | | | 17 |
| 10 | 1/4 | SS-FTS-K10mm-F4 | 56.0 | 33.5 | 17.5 | 8.0 | 22 |
| 12 | 1/4 | SS-FTS-K12mm-F4 | 58.5 | 36.0 | 23.0 | 9.5 | 22 |
| | 3/8 | SS-FTS-K12mm-F6 | 58.5 | 36.0 | | 10.5 | 22 |
| 16 | 1/2 | SS-FTS-K16mm-F8 | 68.5 | 40.0 | 24.5 | 12.5 | 27 |
| Imperial ferrule tube | | | | | | | |
| 1/4 | 1/8 | SS-FTS-K4-F2 | 46.0 | 27.0 | 15.5 | 4.8 | 14 |
| | 1/4 | SS-FTS-K4-F4 | 52.5 | 30.0 | | | 17 |
| 5/16 | 1/8 | SS-FTS-K5-F2 | 49.0 | 30.0 | 16.5 | 6.4 | 17 |
| | 1/4 | SS-FTS-K5-F4 | 53.0 | 31.0 | | | 17 |
| 3/8 | 1/4 | SS-FTS-K6-F4 | 56.0 | 33.5 | 17.5 | 8.0 | 22 |
| 1/2 | 3/8 | SS-FTS-K8-F6 | 58.4 | 36.0 | 22.8 | 10.4 | 20.6 |
| | 1/2 | SS-FTS-K8-F8 | 68.3 | 40.0 | | | 27 |
| 5/8 | 1/2 | SS-FTS-K10-F8 | 68.5 | 40.0 | 24.5 | 12.5 | 27 |

Bite type tube fittings

Structural features

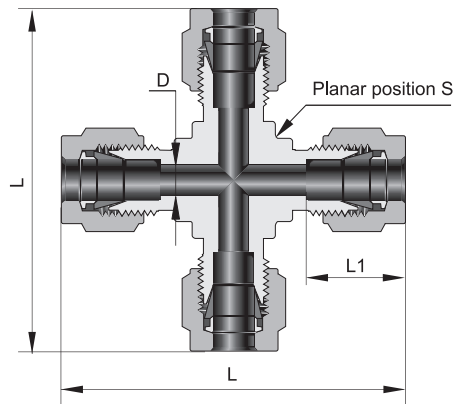
Dual-ferrule structure design

Working principle

Coding rule for item No.

Order info & size

FQ type joint - four-way connection



| Ferrule tube OD | Item No. | Size (mm) | | | |
|-----------------------|-------------|-----------|------|------|----|
| | | L | L1 | D | S |
| Metric ferrule tube | | | | | |
| 6 | SS-FQ-K6mm | 54.0 | 15.5 | 4.8 | 14 |
| 8 | SS-FQ-K8mm | 60.0 | 16.5 | 6.4 | 17 |
| 10 | SS-FQ-K10mm | 67.0 | 17.5 | 8.0 | 22 |
| 12 | SS-FQ-K12mm | 72.0 | 23.0 | 9.5 | 22 |
| 16 | SS-FQ-K16mm | 74.0 | 24.5 | 12.5 | 24 |
| 18 | SS-FQ-K18mm | 77.0 | 24.5 | 15.0 | 27 |
| 20 | SS-FQ-K20mm | 90.0 | 26.0 | 16.0 | 36 |
| 22 | SS-FQ-K22mm | 90.0 | 26.0 | 18.5 | 36 |
| 25 | SS-FQ-K25mm | 98.5 | 31.5 | 22.0 | 36 |
| Imperial ferrule tube | | | | | |
| 1/4 | SS-FQ-K4 | 54.0 | 15.5 | 4.8 | 14 |
| 5/16 | SS-FQ-K5 | 60.0 | 16.5 | 6.4 | 17 |
| 3/8 | SS-FQ-K6 | 67.0 | 17.5 | 8.0 | 22 |
| 1/2 | SS-FQ-K8 | 72.0 | 23.0 | 10.4 | 20 |
| 5/8 | SS-FQ-K10 | 74.0 | 24.5 | 12.5 | 24 |
| 3/4 | SS-FQ-K12 | 90.0 | 26.0 | 16.0 | 36 |
| 7/8 | SS-FQ-K14 | 90.0 | 26.0 | 18.5 | 36 |
| 1 | SS-FQ-K16 | 98.5 | 31.5 | 22.0 | 36 |

| |
|--------------------------------|
| Bite type tube fittings |
| Structural features |
| Dual-ferrule structure design |
| Working principle |
| Coding rule for item No. |
| Order info & size |