

3822N

Two-Way Passive ScreenArray® Cinema Loudspeaker System



Key Features:

- Two-way ScreenArray® design for maximum output, optimal coverage and minimum distortion
- Fully passive operation
- SSC™ Screen Spreading Compensation
- Molded Optimized Aperture Waveguide technology for ultra-low distortion and extremely uniform frequency response
- Low frequency section features dual 15" transducers with ribbon wire voice coils for low distortion and high efficiency
- Flat front waveguide design for easy baffle wall installation
- Shallow profile for minimum behind-screen depth requirements
- Connection on top of the speakers for easy wiring behind screen
- HF driver protection



Description:

Today's premier cinemas require perfect coverage in every seat of the auditorium, wide dynamic range and extended bandwidth, as well as inaudible levels of distortion. Digital soundtracks, especially those associated with the latest digital cinema requirements, require sound systems that can accurately reproduce the sound exactly as recorded. Designed for film sound reproduction, the 3822N ScreenArray provides smooth and accurate reproduction of cinema soundtracks in a compact system. The ScreenArray horn features a patented design that compensates for high frequency spreading caused by perforated screens for greatly improved audience coverage. The 3822N next-generation ScreenArray is enhanced by advanced engineering. JBL's latest technical innovations are integrated into a system design that provides superior coverage, maximum power handling, and uniform acoustic power output, along with extremely low distortion. The ScreenArray design provides ideal power response and directivity control with seamless transitions between acoustic sections.

Specifications:

System	
Frequency Range	30 Hz – 18 kHz
System Sensitivity	104 dB, 2.83V @ 1 m (3.3 ft)
Passive Nominal Impedance	4 ohms
LF Nominal Impedance	4 ohms
HF Nominal Impedance	8 ohms
LF Sensitivity	105 dB, 2.83 V @ 1m
HF Sensitivity	105 dB, 2.83 V @ 1m
Rated Maximum SPL	127 dB, @ 1 m (3.3 ft), 133 dB peak
Passive System Input Power Handling ¹	400 W
Nominal Coverage	90° horizontal, -30°, +20° vertical
Crossover Frequency	1300 Hz
HF Bracket Tilt Range	±30° horizontal, ±10° vertical
Dimensions (H x W x D)	1265 mm x 762 mm x 450 mm (49.8 in x 30 in x 17.75 in)
Net Weight	62.2 kg (137 lb)
Shipping Weight	76.3 kg (168 lb)

LF Component Electronics – Model 3839	
Low Frequency Transducers	2 x M115-8A 380 mm (15 in) dia., 61 mm high (2.5 in) edgewound ribbon voice coil transducers mounted in a 4509 LF enclosure
Dimension (H x W x D)	883 mm x 762 mm x 450 mm (34.75 in x 30 in x 17.75 in)
Net Weight	54.9 kg (121 lb)
Shipping Weight	63.6 kg (140 lb)
HF Component Electronics – Model 3822N-HF	
High Frequency Transducer (Ships Fully Assembled)	1 x 2418H-1 compression driver, 1 x 2374 HF horn, 1 x adjustable bracket
Dimension (H x W x D)	381 mm x 762 mm x 381 mm (15 in x 30 in x 15 in)
Net Weight	7.3 kg (16 lb)
Shipping Weight	12.7 kg (28 lb)

¹Rating based on test signal of filtered random noise conforming to the International standard IEC 268-1 (pink noise with 12 dB per octave roll-off below 40 Hz and above 5000 Hz with a peak-to-average ratio of 6 dB).

Specifications are stated in free-field (4pi) conditions.

JBL continually engages in research related to product improvement. Some materials, production methods and design refinements are introduced into existing products without notice as a routine expression of that philosophy. For this reason, any current JBL product may differ in some respect from its published description, but will always equal or exceed the original design specifications unless otherwise stated.

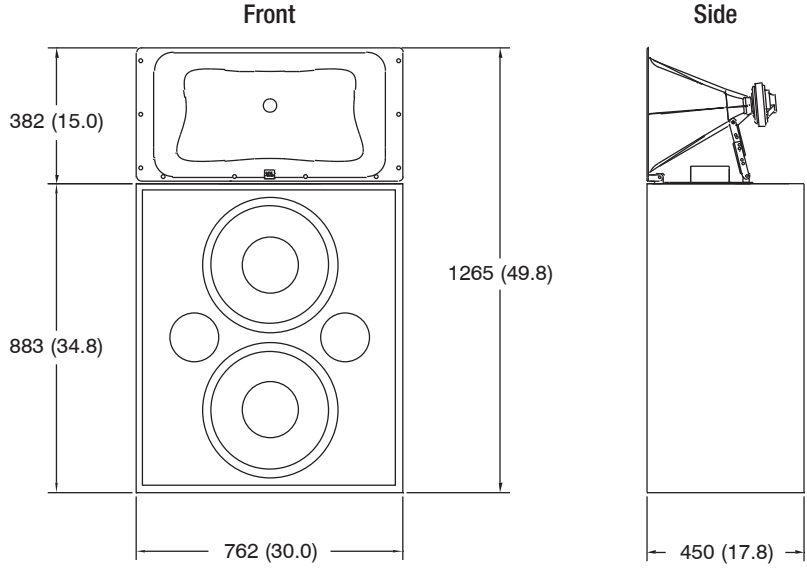
3822N

Two-Way Passive ScreenArray[®] Cinema Loudspeaker System



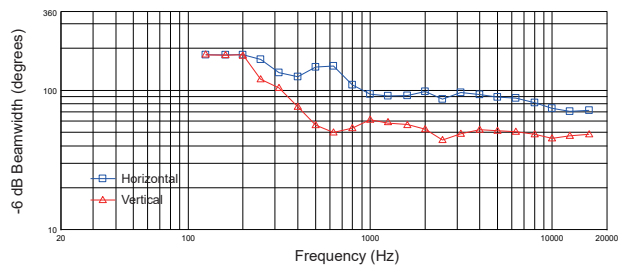
Dimensions:

Dimensions in mm (in)



Graphs:

Bandwidth vs. Frequency



Directivity Index and Directivity Factor

