

Features

- 2000 Watts Peak Pulse Power per Line ($t_p = 8/20\mu s$)
- Bidirectional Configuration
- Protects One Power or I/O Port
- ESD Protection > 40 kilovolts
- Low Clamping Voltages



IEC Compatibility (EN61000-4)

- IEC 61000-4-2 (ESD) : $\pm 30kV$ (air), $\pm 30kV$ (contact)
- IEC 61000-4-5(Surge): 60A, 8/20 μs

Applications

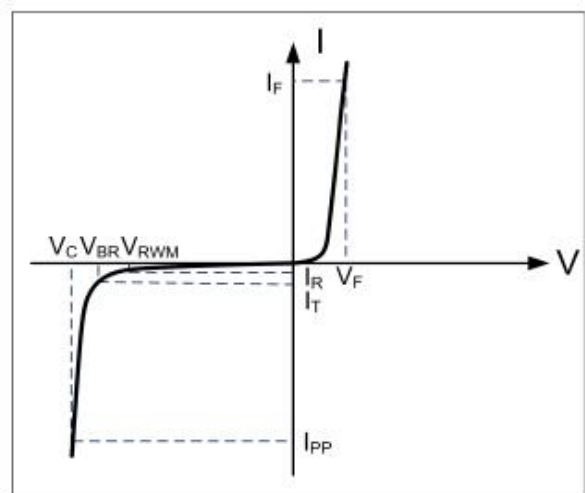
- Ethernet - 10/100/1000 Base T
- Cellular Phones
- Handheld - Wireless Systems
- Personal Digital Assistant (PDA)
- USB Interface



Electrical Parameters

Parameter	Symbol	Value	Units
Peak pulse power ($t_p=8/20\mu s$)	P_{PP}	2000	Watts
Operating Temperature	T_J	$-55^{\circ}C \sim 125^{\circ}C$	$^{\circ}C$
Storage Temperature	T_{STG}	$-55^{\circ}C \sim 150^{\circ}C$	$^{\circ}C$

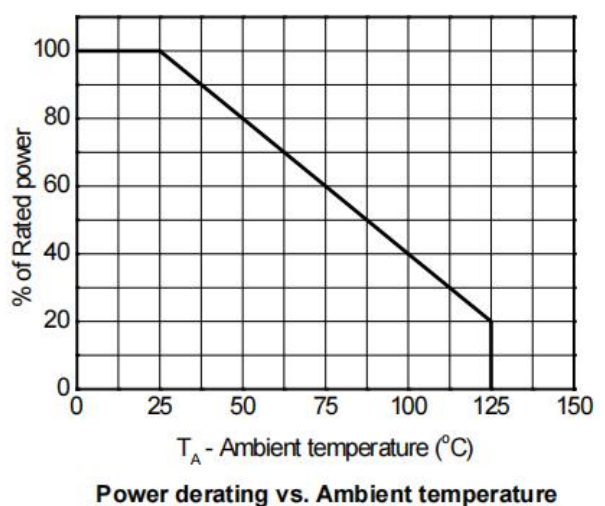
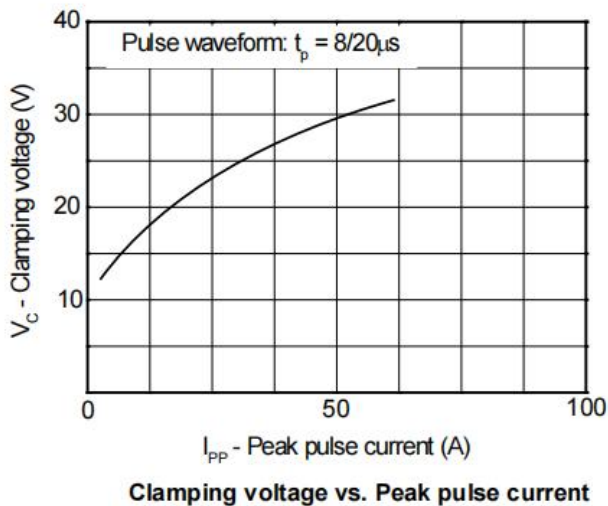
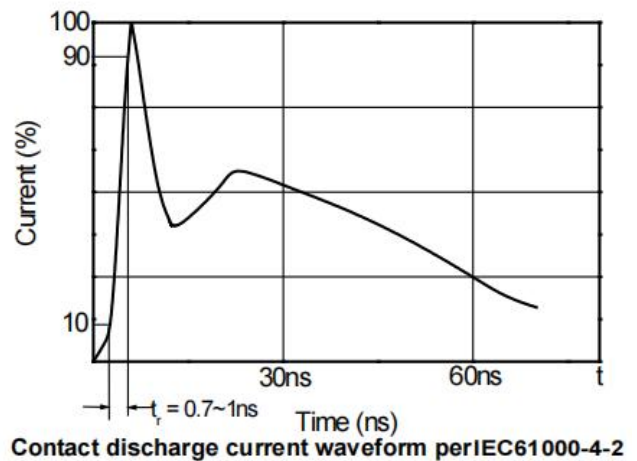
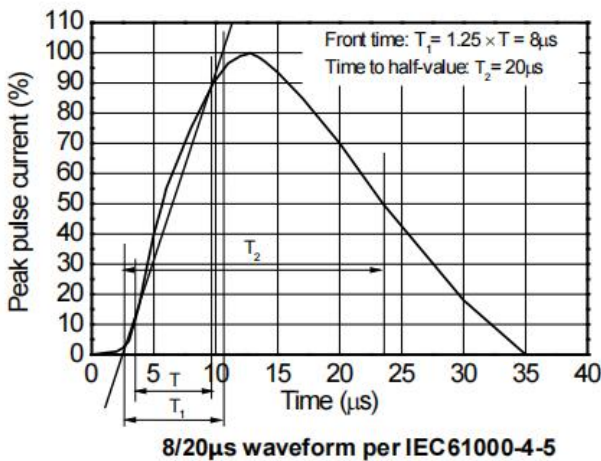
Symbol	Parameter
I_{PP}	Maximum Reverse Peak Pulse Current
V_C	Clamping Voltage @ I_{PP}
V_{RWM}	Working Peak Reverse Voltage
I_R	Maximum Reverse Leakage Current @ V_{RWM}
V_{BR}	Breakdown Voltage @ I_R
I_T	Test Current
I_F	Forward Current
V_F	Forward Voltage @ I_F

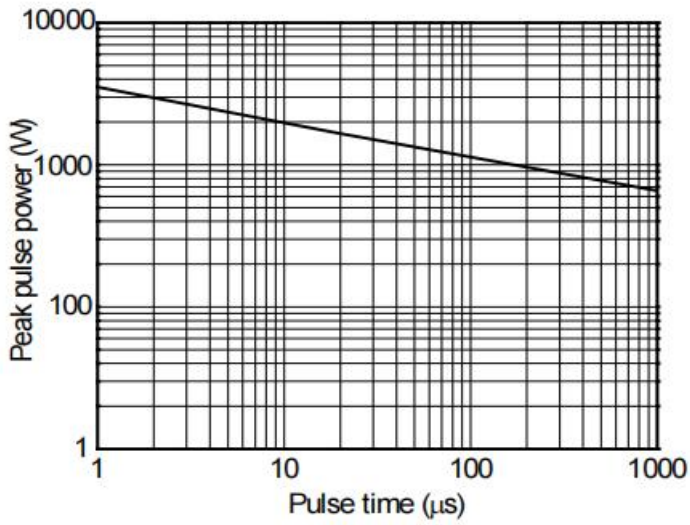


Ratings and characteristic curves ($T_A=25^{\circ}\text{C}$ unless otherwise noted)

Parameter	Symbol	Condition	Min	Max	Units
Reverse Stand-off Voltage	V_{RWM}	Pin2 to 1/Pin1 to 2		15	V
Reverse Breakdown Voltage	$V_{BR}(\text{min})$	$I_Z=1\text{mA}$	16.5		V
Reverse Leakage Current	$I_R(\text{max})$	@ V_{RWM}		0.2	μA
Clamping Voltage	V_C	$I_{PP}=60\text{A}$ $t_p=8/20\mu\text{s}$		34	V
Peak Pulse Current	I_{PP}	$t_p=8/20\mu\text{s}$	60		A

Typical Characteristics

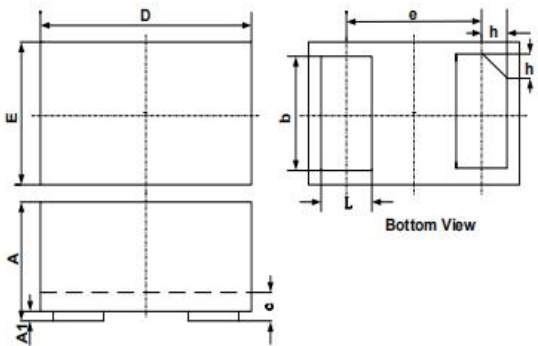




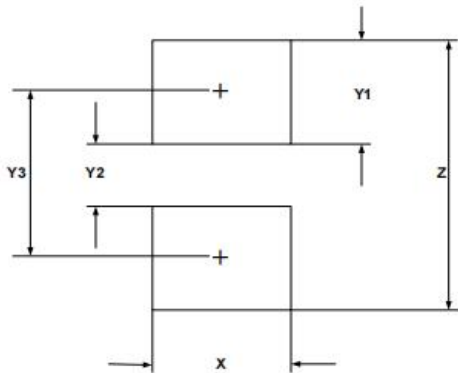
Non-repetitive peak pulse power vs. Pulse time

Dimensions

DFN1610



SYM	DIMENSIONS					
	MILLIMETERS			INCHES		
	MIN	NOM	MAX	MIN	NOM	MAX
A	0.45	0.50	0.55	0.018	0.020	0.022
A1	0.00	0.02	0.05	0.000	0.001	0.002
b	0.75	0.80	0.85	0.030	0.032	0.034
c	0.10	0.15	0.20	0.004	0.006	0.008
D	1.55	1.60	1.65	0.062	0.064	0.066
e	1.10 BSC			0.044 BSC		
E	0.95	1.00	1.05	0.038	0.040	0.042
L	0.35	0.40	0.45	0.014	0.016	0.018
h	0.15	0.20	0.25	0.006	0.008	0.010



SYM	DIMENSIONS	
	MILLIMETERS	INCHES
X	1.00	0.040
Y1	0.62	0.025
Y2	0.60	0.024
Y3	1.22	0.049
Z	1.85	0.074