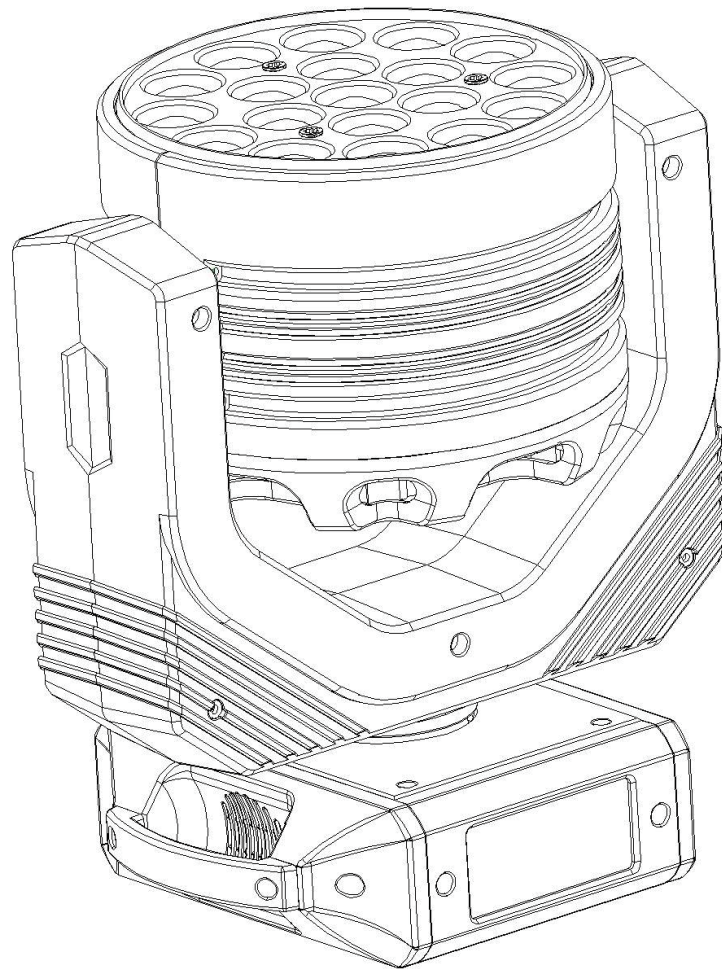


19*40W LED ZOOM WASH



USER MANUAL

PRODUCT CATALOG

- 1: SAFETY INSTRUCTIONS -----0
- 2: TECHNICAL PARAMETERS-----1
- 3: SCHEMATIC LIGHTING COMPONENTS-----2
- 4: FIRST USE NOTICE -----3
- 5: INSTALLATION INSTRUCTIONS-----4
- 6: DISPLAY SETTING -----5-17
- 7: CHANNEL DESCRIPTION -----17-23
- 8: TROUBLESHOOTING -----23-24
- 9: CLEANING -----24
- 10: PHOTOMETRIC CHART -----25

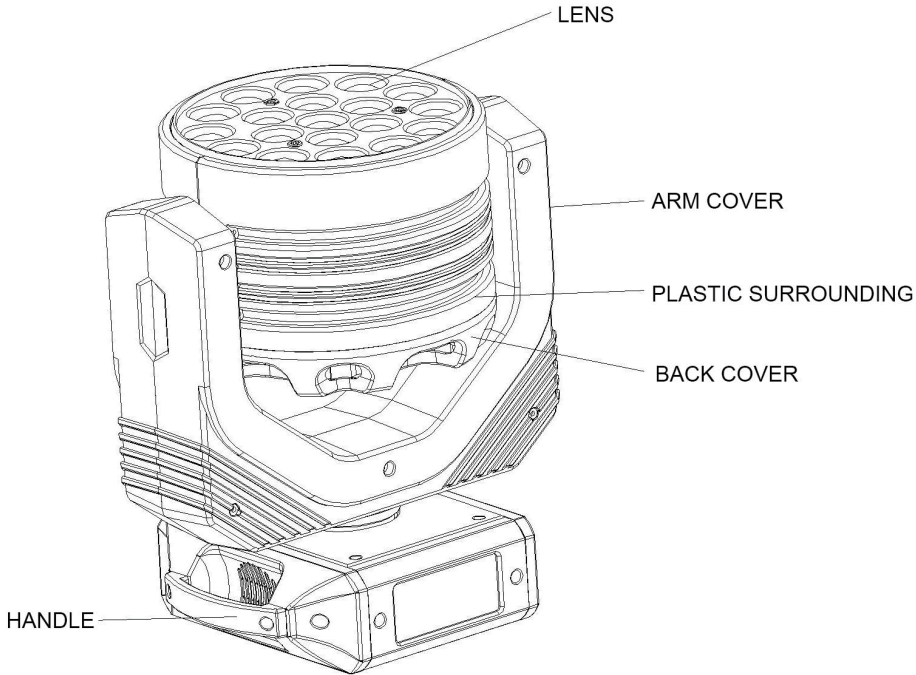
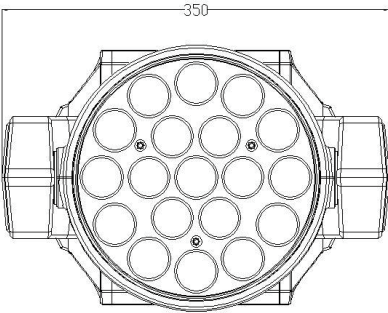
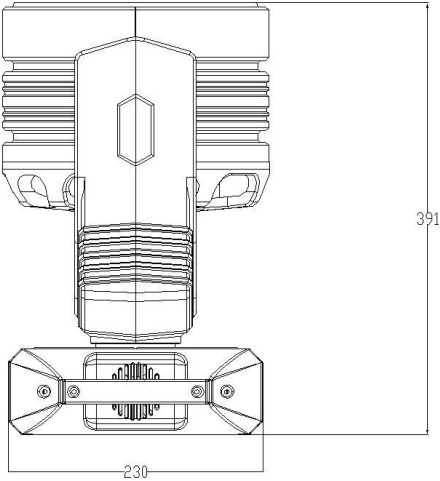
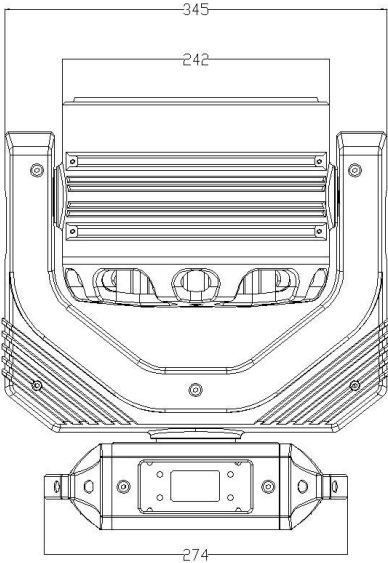
1. SAFETY INSTRUCTIONS

- Before using this product, please observe carefully the product is not unwrap or damage during transportation.
- As a result of damage during transporting, please do not use the lights, and contact with the dealer or manufacturer.
- Before running products, to ensure that the voltage and Hertz in accordance with the requirements of lights.
- It's very important, connecting ground wire to avoid the electric shock.
- This product is for dry indoor environment.
- This product must be installed on the sufficient space, adjacent to interface the shortest distance of 50 cm, to ensure that the lights will not crash each other.
- Before moving or repairing the product, please unplug the power.
- When it working, ensure that no inflammable and explosive near objects.
- When handling this product, lift the armrest base, rather than the lamp body.
- This product is suitable for a maximum temperature of 40 degrees Celsius, when the surrounding environment is higher than 40 degrees Celsius, please do not use this product.
- Do not touch when working, the product runs very fast. Prevent hand injury.
- Problems happens when operating performances, should immediately stop using the lights.
- Do not carry out maintenance, repair damage caused or likely to cause other problems.
- Please contact the company's maintenance repair. During the repair process, use the same type of accessories.
- Please read the instructions carefully, especially regarding the installation, using, maintenance parts.
- Always transport the lighting in a packed anti-shock protection carton or flight case
- Please Read This Guide Carefully. This Guide Contains Important Information For Installation, Use, and Maintenance.

2. TECHNICAL PARAMETERS

- ◇ DMX Channels: 17 Channels / 29 Channels
- ◇ Operation Mode: DMX512 Mode, Auto Mode
- ◇ LCD touch display color screen + button
- ◇ LED Light Source: 19*40W 4 IN 1 RGBW LED
- ◇ XY axis motor, ultra quiet, ultra high speed three-phase motor
- ◇ Smooth electronic dimming, 0 - 100% electronic dimming
- ◇ Electronic strobe, electronic strobe effect
- ◇ Beam & Wash: 4 IN 1 LED Wash & Beam Effect
- ◇ Pixel control effect
- ◇ Input voltage: AC100-240V,50/60Hz
- ◇ Total Power Consumption: 470W
- ◇ Beam Angle: 5-60°Zoom
- ◇ Pan:0-540°
- ◇ Tilt:0-270°
- ◇ Dimension: 354*242*391mm
- ◇ Weight: 9.7Kg

3. SCHEMATIC LIGHTING COMPONENTS



4. FIRST USE NOTICE

◇ Important! The 19*40W LED wash must have anti-vibration protection carton or air box during transportation.

◇ Warning! Please read the safety instructions carefully before installing, turning on the power, operating or checking the product.

◇ Safety information about installation, power supply, use, maintenance

◇ Before powering on the 19*40W LED wash, please check the voltage and frequency of the local AC power supply within the range of the wash light. Voltage requirements 100-240V, frequency 50/60HZ

◇ In order to avoid electric shock, 19*40W LED moving head light must be connected to the ground wire, the fixture has an over current protection device

◇ The power supply socket or plug for 19*40W LED moving head lamp must be close and convenient to facilitate power off.

5. INSTALLATION INSTRUCTIONS

!1: WARNING: The 19*40W LED moving head light must be securely attached to the bracket or similar structure with a quick-touch lock and mounting bracket. Do not energize the 19*40W LED moving head light without installing it securely or moving it.

! 2: Warning: When the 19*40W LED moving head lamp is dropped, it may cause damage. Please use a safety rope to stabilize it.

!3: Warning: Please ensure that the 19*40W LED wash does not hit other fixture or other objects while working, please keep the minimum distance of 500 mm.

!4: Warning: Do not expose the optical lens portion of the 19*40W to sunlight or other strong light sources.

If the light is exposed to the sun or strong light, it may cause damage inside the light or optical lens. Even within a few seconds, intense sun exposure can cause damage to the light or optical lens. Therefore, before moving to the sun, please cover the glass lens or turn the lamp head in the opposite direction of direct light.

!5. WARNING: Check that the rigging structure is capable of supporting at least 10 times the weight of all fixtures and equipment to be installed. The light hook quick lock is screwed to the direction of the light hook lock, the safety rope hooks the hook hole of the bottom box, and one end is fastened around the mounted fixing frame. Before powering on, all the power connection lines and signal connection lines can not stop the lamps. To run, the long part should be wound on the fixed frame.

6. DISPLAY SETTING

6.1 Introduction to the display



6.2 Display

6.1 Display Setting

ESC Enter UP Down

6.2/Menu operation:

1.DMX Address: 001-512			
2.Channel Mode: 17/29			
3.Reset	1、 Motor Power	On/Off	
	2、 Tilt		
	3、 Light Path		
4.Operation	DMX/Auto/User		
	1、 Strobe	0-255	

5.Run Settings	2、 Dimmer	0-255			
	3、 Focus	0-255			
	4、 Pan	0-255			
	5、 Pan Fine	0-255			
	6、 Tilt	0-255			
	7、 Tilt Fine	0-255			
	8、 Reset	0-255			
	9、 Color Macro	0-255			
	10、 Red	0-255			
	11、 Green	0-255			
	12、 Blue	0-255			
	13、 White	0-255			
	14、 CTO	0-255			
	15、 Dynamic macro	0-255			
	16、 Dynamic macro Speed	0-255			
	6. Operation Setting:	1、 Master-slave	Master/Slave		
2、 XY Setting		Manual scanning	yes/on		
		Tilt reverse		yes/on	
		Speed Channel Acutual Time		yes/on	
		Dimmer Curve		Linear/square/square root/S-curve/logarithmic	
				Step 1 :	Time:0-255
					Channel01:0-255
Channel02:0-255					
Channel03:0-255					
				Channel04:0-255	

				Channel05:0-255
				Channel06:0-255
				Channel07:0-255
				Channel08:0-255
				Channel09:0-255
				Channel10:0-255
				Channel11:0-255
				Channel12:0-255
				Channel13:0-255
				Channel14:0-255
				Channel15:0-255
				Channel16:0-255
			Step 2:	时间:0-255
				Channel01:0-255
				Channel02:0-255
				Channel03:0-255
				Channel04:0-255
				Channel05:0-255
				Channel06:0-255
				Channel07:0-255
				Channel08:0-255
				Channel09:0-255
				Channel10:0-255
				Channel11:0-255
			Channel12:0-255	

				Channel13:0-255
				Channel14:0-255
				Channel15:0-255
				Channel16:0-255
			Step 3:	Time:0-255
				Channel01:0-255
				Channel02:0-255
				Channel03:0-255
				Channel04:0-255
				Channel05:0-255
				Channel06:0-255
				Channel07:0-255
				Channel08:0-255
				Channel09:0-255
				Channel10:0-255
				Channel11:0-255
				Channel12:0-255
				Channel13:0-255
				Channel14:0-255
				Channel15:0-255
Channel16:0-255				
	Time:0-255			
	Channel01:0-255			
	Channel02:0-255			
	Channel03:0-255			

			Step 4 :	Channel04:0-255
				Channel05:0-255
				Channel06:0-255
				Channel07:0-255
				Channel08:0-255
				Channel09:0-255
				Channel10:0-255
				Channel11:0-255
				Channel12:0-255
				Channel13:0-255
				Channel14:0-255
				Channel15:0-255
				Channel16:0-255
			Step 5 :	Time:0-255
				Channel01:0-255
				Channel02:0-255
				Channel03:0-255
				Channel04:0-255
				Channel05:0-255
				Channel06:0-255
				Channel07:0-255
				Channel08:0-255
				Channel09:0-255
				Channel10:0-255
			Channel11:0-255	

				Channel12:0-255
				Channel13:0-255
				Channel14:0-255
				Channel15:0-255
				Channel16:0-255
			Step 6 :	Time:0-255
				Channel01:0-255
				Channel02:0-255
				Channel03:0-255
				Channel04:0-255
				Channel05:0-255
				Channel06:0-255
				Channel07:0-255
				Channel08:0-255
				Channel09:0-255
				Channel10:0-255
				Channel11:0-255
				Channel12:0-255
				Channel13:0-255
			Channel14:0-255	
Step 7 :	Channel15:0-255			
	Channel16:0-255			
	Time:0-255			
	Channel01:0-255			
				Channel02:0-255

				Channel04:0-255
				Channel05:0-255
				Channel06:0-255
				Channel07:0-255
				Channel08:0-255
				Channel09:0-255
				Channel10:0-255
				Channel11:0-255
				Channel12:0-255
				Channel13:0-255
				Channel14:0-255
				Channel15:0-255
				Channel16:0-255
			Step 8:	Time:0-255
				Channel01:0-255
				Channel02:0-255
				Channel03:0-255
				Channel04:0-255
				Channel05:0-255
				Channel06:0-255
				Channel07:0-255
				Channel08:0-255
				Channel09:0-255
				Channel10:0-255
				Channel11:0-255

				Channel04:0-255
				Channel05:0-255
				Channel06:0-255
				Channel07:0-255
				Channel08:0-255
				Channel09:0-255
				Channel10:0-255
				Channel11:0-255
				Channel12:0-255
				Channel13:0-255
				Channel14:0-255
				Channel15:0-255
				Channel16:0-255
			Step 8 :	Time:0-255
				Channel01:0-255
				Channel02:0-255
				Channel03:0-255
				Channel04:0-255
				Channel05:0-255
				Channel06:0-255
				Channel07:0-255
				Channel08:0-255
				Channel09:0-255
				Channel10:0-255
				Channel11:0-255

				Channel12:0-255
				Channel13:0-255
				Channel14:0-255
				Channel15:0-255
				Channel16:0-255
			Step 9:	Time:0-255
				Channel01:0-255
				Channel02:0-255
				Channel03:0-255
				Channel04:0-255
				Channel05:0-255
				Channel06:0-255
				Channel07:0-255
				Channel08:0-255
				Channel09:0-255
				Channel10:0-255
				Channel11:0-255
				Channel12:0-255
				Channel13:0-255
				Channel14:0-255
				Channel15:0-255
				Channel16:0-255
			Step 10:	Time:0-255
				Channel01:0-255
				Channel02:0-255

				Channel03:0-255
				Channel04:0-255
				Channel05:0-255
				Channel06:0-255
				Channel07:0-255
				Channel08:0-255
				Channel09:0-255
				Channel10:0-255
				Channel11:0-255
				Channel12:0-255
				Channel13:0-255
				Channel14:0-255
				Channel15:0-255
				Channel16:0-255
			Step 11 :	Time:0-255
				Channel01:0-255
				Channel02:0-255
				Channel03:0-255
				Channel04:0-255
				Channel05:0-255
				Channel06:0-255
				Channel07:0-255
				Channel08:0-255
				Channel09:0-255
				Channel10:0-255

				Channel11:0-255			
				Channel12:0-255			
				Channel13:0-255			
				Channel14:0-255			
				Channel15:0-255			
				Channel16:0-255			
			Step 12:	Time:0-255			
				Channel01:0-255			
				Channel02:0-255			
				Channel03:0-255			
				Channel04:0-255			
				Channel05:0-255			
				Channel06:0-255			
				Channel07:0-255			
				Channel08:0-255			
				Channel09:0-255			
				Channel10:0-255			
				Channel11:0-255			
				Channel12:0-255			
				Channel13:0-255			
				Channel14:0-255			
				Channel15:0-255			
				Channel16:0-255			
				Record DMX:	Option Step:01-12		
					Time: 0-255		

		Record		
	All clear			
7. no singal	Power on			
	Run time			
8. Advanced Setting	Fine	Pan: -200-200		
		Tilt: -200-200		
		Focus: -200-200		
		Red 1: -999-0		
		Green 1: -999-0		
		Blue 1: -999-0		
		White 1: -999-0		
		Red 2: -999-0		
		Green 2: -999-0		
		Blue 2: -999-0		
		White 2: -999-0		
		Red 3: -999-0		
		Green 3: -999-0		
		Blue 3: -999-0		
		White3: -999-0		
		Red 4: -999-0		
		Green 4: -999-0		
		Blue 4: -999-0		
	White 4: -999-0			
	Language	CHN/EN		
Ingore Error	Code disk waveform: yes/on			

	Fine Recover			
9.Info	DMX Value	Channel1—58		
	Error			
	LED	Operating Time :		
		Clear		

7. CHANNEL DESCRIPTION

Channel	Normal Mode (17 Channels)	Value	Function
1	Strobe	0~10	Close
		11~64	Strobe From Fast to Slow
		65~69	Open
		70~84	Pulse Dark Strobe
		85~89	Open
		90~104	Pulse Bright Strobe
		105~109	Open
		110~124	Random strobe from fast to slow
		125~129	Open
		130~144	Random pulse dark strobe
		145~149	Open
		150~164	Random pulse bright strobe
		165~169	Open
		170~184	Lightning Effect Strobe
		180~189	Open
		190~204	Random Lightning Strobe

		205~2255	Open
2	Dimmer	0~255	Dimmer from 0-100%
3	Zoom	0~255	Zoom
4	Pan	0~255	Pan
5	Pan Fine	0~255	Pan Fine
6	Tilt	0~255	Tilt
7	Tilt Fine	0~255	Tilt Fine
8	Reset	0-247	Empty
		248-255	Reset
9	LED Macro Function	0~9	Empty
		10~19	Red
		20~29	Red+ Green
		30~39	Green
		40~49	Green + Blue
		50~59	Blue
		60~69	Blue + Red
		70~79	White
		80~89	Red + White
		90~99	Green + White
		100~109	Blue + White
		110~119	Red+ Green+ White
		120~127	Red+ Blue+ White
		128~165	Rainbow effect 1
		167~202	Rainbow effect 2
203~239	Rainbow effect 3		

		240~255	Random Rainbow Color Flow
10	Red	0~255	Red
11	Green	0~255	Green
12	Blue	0~255	Blue
13	White	0~255	White
14	CTO	0~255	Linear CTO adjustment
15	LED Dynamic Effect	0~15	Empty
		16~30	LED Dynamic Effect 1
		31~45	LED Dynamic Effect 2
		46~60	LED Dynamic Effect 3
		61~75	LED Dynamic Effect 4
		76~90	LED Dynamic Effect 5
		91~105	LED Dynamic Effect 6
		106~120	LED Dynamic Effect 7
		121~135	LED Dynamic Effect 8
		136~150	LED Dynamic Effect 9
		151~165	LED Dynamic Effect 10
		166~180	LED Dynamic Effect 11
		181~195	LED Dynamic Effect 12
		196~210	LED Dynamic Effect 13
		211~225	LED Dynamic Effect 14
		226~240	LED Dynamic Effect 15
241~255	LED Dynamic Effect 16		
16	LED Dynamic Effect Speed	0~255	LED Dynamic Effect Speed
17	Pan&Tilt Speed	0~255	Pan & Tilt Speed

Channel	Extended mode (29 Channels)	Value	Function
1	Pan	0~255	Pan
2	Pan Fine	0~255	Pan Fine
3	Tilt	0~255	Tilt
4	Tilt Fine	0~255	Tilt Fine
5	Pan & Tilt Speed	0~255	Pan & Tilt Speed
6	Reset	80-100	Auto
		201-255	Reset
7	Zoom	0~255	Zoom
8	Dimmer	0~255	Dimmer
9	Strobe	0~10	Close
		11~64	Strobe From Fast To Slow
		65~69	Open
		70~84	Pulse Dark Strobe
		85~89	Open
		90~104	Pulse Bright Strobe
		105~109	Open
		110~124	Random Strobe From Fast to Slow
		125~129	Open
		130~144	Random Pulse Dark Strobe
		145~149	Open
		150~164	Random Pulse Bright Strobe
		165~169	Open
		170~184	Lightning Effect Strobe
180~189	Open		

		190~204	Random Lightning Strobe
		205~2255	Open
10	CTO	0-255	Linear CTO adjustment
11	LED Macro Function	0~9	Empty
		10~19	Red
		20~29	Red + Green
		30~39	Green
		40~49	Green + Blue
		50~59	Blue
		60~69	Blue + Red
		70~79	White
		80~89	Red + White
		90~99	Green + White
		100~109	Blue + White
		110~119	Red + Green + White
		120~127	Red + Blue + White
		128~165	Rainbow effect 1
		167~202	Rainbow effect 2
		203~239	Rainbow effect 3
240~255	Random Rainbow Color Flow		
12	LED Dynamic Effect	0~15	Empty
		16~30	LED Dynamic Effect 1
		31~45	LED Dynamic Effect 2
		46~60	LED Dynamic Effect 3
		61~75	LED Dynamic Effect 4

		76~90	LED Dynamic Effect 5
		91~105	LED Dynamic Effect 6
		106~120	LED Dynamic Effect 7
		121~135	LED Dynamic Effect 8
		136~150	LED Dynamic Effect 9
		151~165	LED Dynamic Effect 10
		166~180	LED Dynamic Effect 11
		181~195	LED Dynamic Effect 12
		196~210	LED Dynamic Effect 13
		211~225	LED Dynamic Effect 14
		226~240	LED Dynamic Effect 15
		241~255	LED Dynamic Effect 16
13	LED Dynamic Effect Speed	0~255	LED Dynamic Effect Speed
14	Red 1	0~255	Red 1
15	Green 1	0~255	Green 1
16	Blue 1	0~255	Blue 1
17	White 1	0~255	White 1
18	Red 2	0~255	Red 2
19	Green 2	0~255	Green 2
20	Blue 2	0~255	Blue 2
21	White 2	0~255	White 2
22	Red 3	0~255	Red 3
23	Green 3	0~255	Green 3
24	Blue 3	0~255	Blue 3
25	White 3	0~255	White 3

26	Red 4	0~255	Red 4
27	Green 4	0~255	Green 4
28	Blue 4	0~255	Blue 4
29	White 4	0~255	White 4

8.TROUBLESHOOTING

Listed below are the treatments for common problems that are common in operations.

◇Fault A: The fixture does not work, the fixture does not light, the fan does not work

Solution 1: Check if the power supply is in good contact and if the fuse is burned

Solution 2: Detect the main supply voltage on the connector

Solution 3: Detect the voltage on the LED

◇Fault B: Connect the controller, the fixture does not respond

Solution 1: After connecting the controller, the fixture should be working. If it is not working properly, please check the signal cable plug and the wires are connected correctly.

Solution 2: If the display of the fixture is on, but the channel does not respond, please check if the address code setting is correct and the DMX output voltage polarity.

Solution 3: If your fixture is an intermittent DMX signal problem, please check the input terminals and board.

Solution 4: Please change to another DMX controller

Solution 5: Check the signal cable if nearby is with high-voltage wires, which can cause damage to the wires inside the DMX display panel.

◇Fault C: One of the channels does not work

Solution 1: The stepper motor may be damaged, or the line connecting the motherboard is burnt out.

Solution 2: The IC driver board on the motherboard may be broken.

9.CLEANING

The dust inside and outside the focusing optical lens must be cleaned regularly. The number of cleanings is determined by the environment in which the fixture is used: whether it is wet, smoked, or particularly dirty in the surrounding environment, which can cause dust deposits in the fixture. Wipe the focusing optical lens with a glass cleaner and a soft cloth. Please carefully dry each part. Clean the dust outside the lens for at least 20 days, and clean the dust inside the lens for 30-60 days. Regularly check the lamp head fan and the bottom box fan, and clean the dust deposited by the fan for at least 20 days. The above cleaning must be performed under power failure.

10.PHOTOMETRIC CHART

