

FOLLOW US



www.chechuang.cn



YONGAN

VEHICLE WINDOW

Catalog 23/24

STAY FOCUSED , STAY PROFESSIONAL



CONTACT US

Add: No. 3 Yongan Road, New & High-Tech Industrial Zone, Longkou City, Shandong, China

Tel: +86-535-8662688 | Fax: +86-535-8662688

Email: sales@chechuang.cn

Longkou Yongan Vehicle Window Co., Ltd.

SHANDONG · CHINA

BOLUDE

FIND THE WAY



DIRECTORY

• YONGAN EVENTS	01
• YA-WT-01 Top-Hung Hinged Window (Convex)	05
• YA-WT-02 Top-Hung Hinged Window (Round Corner)	07
• YA-WT-04 Curved Top-Hung Hinged Window (Round Corner)	09
• YA-WT-05 Frameless Curved Top-Hung Hinged Window	11
• YA-WT-07 Tempered Glass Top-Hung Hinged Window	13
• YA-WT-09 Top-Hung Hinged Window (Narrow Frame)	15
• YA-WT-10 Top-Hung Hinged Window (Rectangle)	17
• YA-WT-11 Curved Top-Hung Hinged Window (Rectangle)	19
• YA-WT-17 Curved Top-Hung Hinged Window (Narrow Frame)	21
• YA-D Tempered Glass Sliding Window	23
• YA-WT-12 Acrylic Glass Sliding Window (Round Corner)	25
• YA-WT-13 Acrylic Glass Sliding Window (Rectangle)	27
• YA-WT-14 Porthole Window	29
• YA-WT-15 Acrylic Glass Sliding Window (Round Corner)	30
• YA-WT-16 Acrylic Glass Sliding Window (Narrow Frame)	31
• YA-L Skylight	33
• YA-S Roof Vent	34
• YA-SC-01 Pleated Blind with PVC Frame (Rectangle)	35
• YA-SC-02 Pleated Blind with PVC Frame (Round Corner)	36
• YA-SC-06 Roller Blind with PVC Frame	36
• YA-SC-03 Pleated Blind with Aluminum Frame	37
• YA-SC-07 Roller Blind with Aluminum Frame	38
• YA-MD-01 Entry Door	39
• YA-MD-03 Entry Door	41
• YA-MD-05 Entry Door	43
• YA-SM-01 Screen Door	45
• YA-SDM-02 Teardrop Door	47
• YA-CM-01 Hatch Door	49
• YA-CM-02 Hatch Door	51
• YA-CM-03 Hatch Door	53
• YA-CM-08 Hatch Door	55
• YA-CK-01 Picnic Table (Rectangle)	57
• YA-CZ-02 Picnic Table (Round Corner)	58
• YA-CZ-03 Picnic Table (Keyless Lock)	59
• YA-STB-01 Manual Double Step	60
• YA-DTB-02 Electric Single Step	61
• YA-STB-02 Electric Double Step	62
• YA-DTB-03 Electric Slide Out Step	63
• YA-DTB-04 Manual Single Step	64

YONGAN EVENTS

2001

Yongan Doors and Windows Factory was established

2006

Launched the first RV push-out window



2007

Launched the first insulated glass sliding window



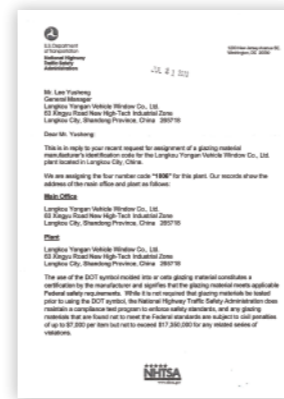
2012

Yongan Vehicle Window Co., Ltd. was officially established



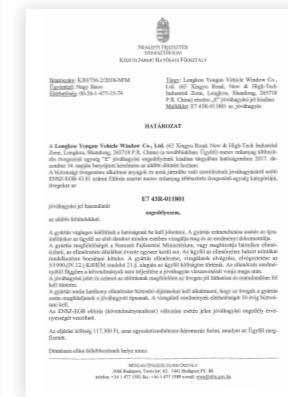
2013

Obtained the American DOT certification



2017

Obtained the European E-Mark certification



2018

Obtained the national high-tech enterprise certificate



2020

Participated in the Caravan Salon in Düsseldorf for the first time



2021

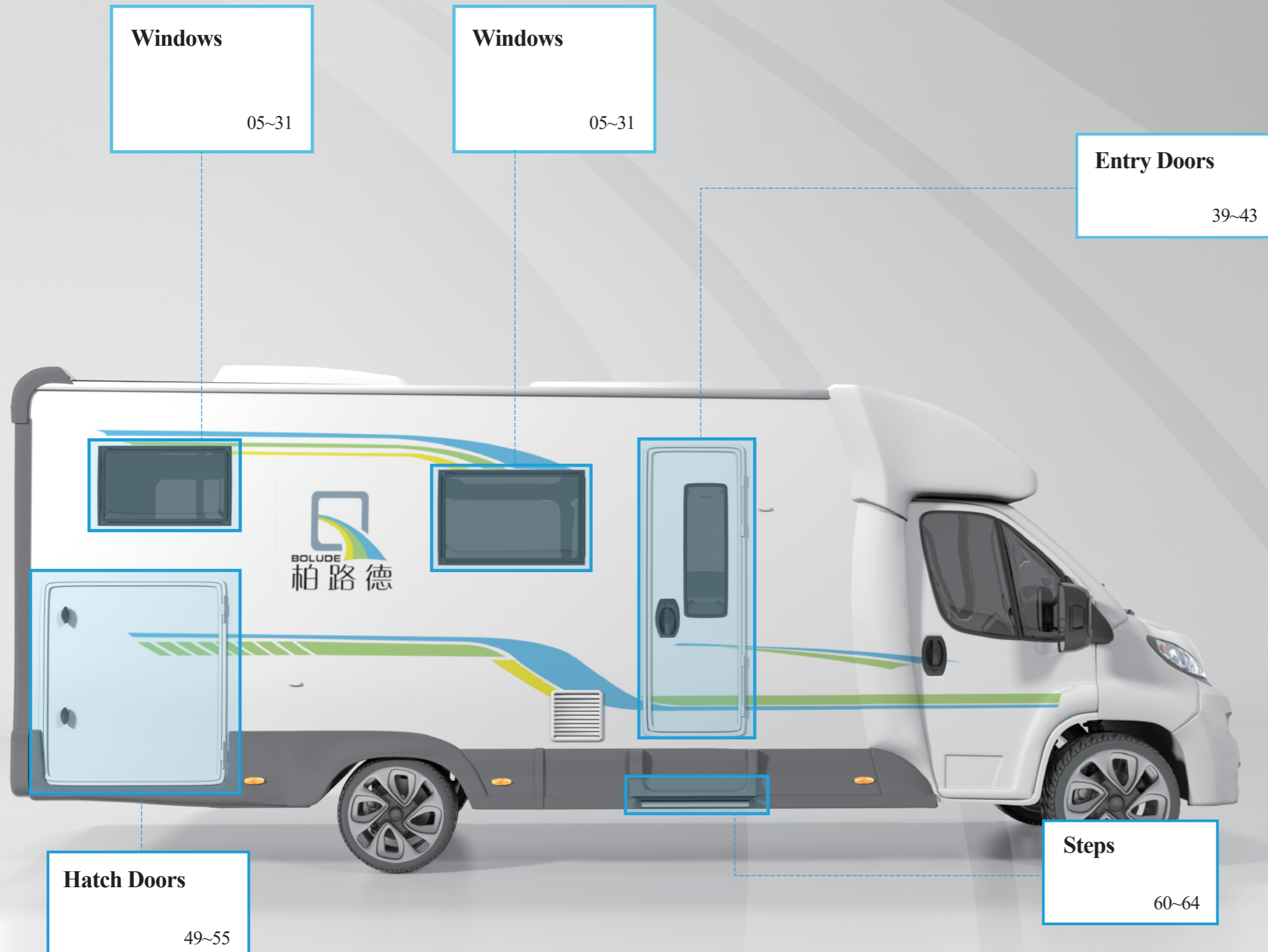
18,000m² new factory was put into operation



2023

Fully implement the use of photovoltaic power generation





YA-WT-01 Top-Hung Hinged Window (Convex)



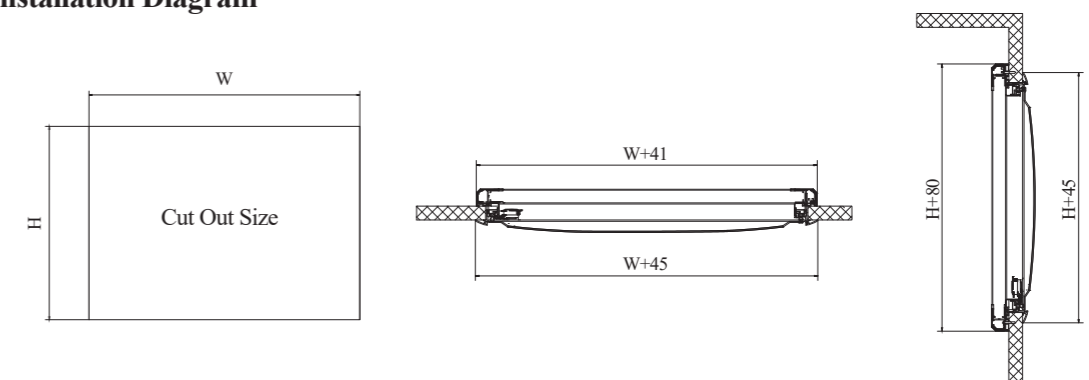
Specifications

Window			PVC pleated blind	
Cut out size (mm) W×H	Overall size (mm) (W+45)×(H+45)	Weight (kg)	Overall size (mm) (W+41)×(H+80)	Weight (kg)
350 × 500	395 × 545	3.08	391 × 580	1.13
400 × 220	445 × 265	1.95	441 × 300	1.11
500 × 300	545 × 345	2.80	541 × 380	1.40
500 × 350	545 × 395	3.08	541 × 430	1.43
500 × 450	545 × 495	3.64	541 × 530	1.48
500 × 500	545 × 545	3.92	541 × 580	1.50
550 × 500	595 × 545	4.20	591 × 580	1.63
600 × 350	645 × 395	3.54	641 × 430	1.68
700 × 300	745 × 345	3.65	741 × 380	1.90
700 × 400	745 × 445	4.35	741 × 480	1.95
700 × 450	745 × 495	4.69	741 × 530	1.98
700 × 600	745 × 645	5.73	741 × 680	2.05
800 × 450	845 × 495	5.22	841 × 530	2.23
800 × 500	845 × 545	5.60	841 × 580	2.25
900 × 450	945 × 495	5.75	941 × 530	2.48
900 × 500	945 × 545	6.16	941 × 580	2.50
900 × 550	945 × 595	6.57	941 × 630	2.53
900 × 900	945 × 945	9.47	941 × 980	2.70
1000 × 500	1045 × 545	6.72	1041 × 580	2.75
1000 × 800	1045 × 845	9.40	1041 × 880	2.90
1100 × 450	1145 × 495	6.80	1141 × 530	2.98
1100 × 550	1145 × 595	7.76	1141 × 630	3.03
1200 × 350	1245 × 395	6.30	1241 × 430	3.18
1200 × 500	1245 × 545	7.84	1241 × 580	3.25
1200 × 700	1245 × 745	9.90	1241 × 780	3.35
1200 × 800	1245 × 845	10.92	1241 × 880	3.50
1450 × 550	1495 × 595	9.84	1491 × 630	3.90

Product Description

Frame	High quality aluminum alloy, black, white, gray, can also be customized
Glass	Double glazing acrylic, UV resistant, convex outer surface, black or light gray
Window stays	Infinitely adjustable window stays
Handle	Handle with lock
Blind	Pleated or roller blind with PVC frame
Certificate	E-Mark or DOT
Wall thickness	22-35mm, 36-46mm, 46-58mm, installation with mounting frame

Installation Diagram



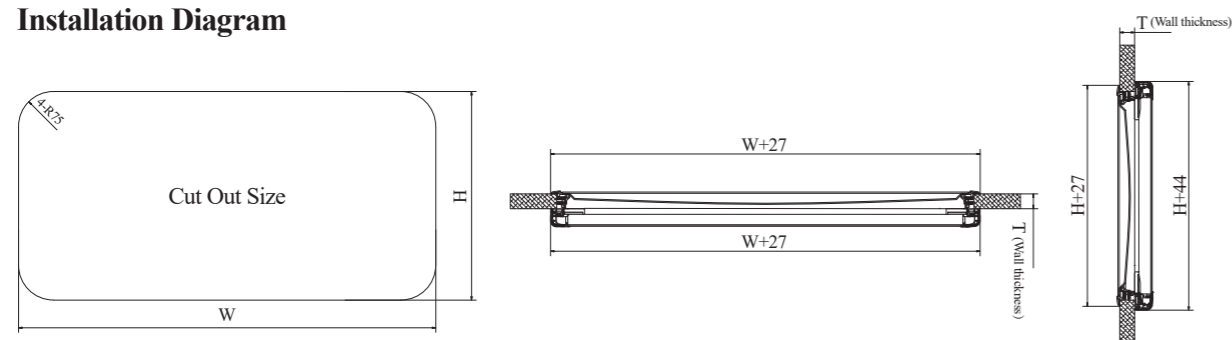
YA-WT-02 Top-Hung Hinged Window (Round Corner)



Product Description

Frame	Broken bridge aluminum alloy, good thermal insulation, black, white, gray, can also be customized
Glass	Double glazing acrylic, UV resistant, with convex or flat outer surface, black or light gray
Window stays	Infinitely adjustable window stays
Handle	Handle without lock
Blind	Pleated blind or roller blind, with PVC frame or aluminum frame
Certificate	E-Mark or DOT
Wall thickness	22-50mm

Installation Diagram



Specifications

Window			AL pleated blind		PVC-Rollo	
Cut out size (mm) W×H	Overall size (mm) (W+27)×(H+27)	Weight (kg)	Overall size (mm) (W+27)×(H+44)	Weight (kg)	Overall size (mm) (W+51)×(H+75.5)	Weight (kg)
300 × 450	327 × 477	1.95	327 × 494	1.02	351 × 525.5	0.67
350 × 300	377 × 327	1.61	377 × 344	1.08	401 × 375.5	0.67
450 × 300	477 × 327	1.95	477 × 344	1.34	501 × 375.5	0.85
450 × 400	477 × 427	2.38	477 × 444	1.39	501 × 475.5	0.91
450 × 500	477 × 527	2.82	477 × 544	1.44	501 × 575.5	0.97
460 × 220	487 × 247	1.63	487 × 264	1.33	511 × 295.5	0.85
500 × 250	527 × 277	1.89	527 × 294	1.45	551 × 325.5	0.90
500 × 300	527 × 327	2.12	527 × 344	1.48	551 × 375.5	0.94
500 × 350	527 × 377	2.35	527 × 394	1.50	551 × 425.5	0.97
500 × 400	527 × 427	2.58	527 × 444	1.53	551 × 475.5	1.00
500 × 450	527 × 477	2.82	527 × 494	1.55	551 × 525.5	1.03
500 × 500	527 × 527	3.05	527 × 544	1.58	551 × 575.5	1.07
510 × 510	537 × 537	3.14	537 × 554	1.61	561 × 585.5	1.09
550 × 500	577 × 527	3.28	577 × 544	1.71	601 × 575.5	1.16
600 × 350	627 × 377	2.72	627 × 394	1.77	651 × 425.5	1.15
600 × 400	627 × 427	2.98	627 × 444	1.79	651 × 475.5	1.18
600 × 450	627 × 477	3.25	627 × 494	1.82	651 × 525.5	1.22
600 × 500	627 × 527	3.51	627 × 544	1.84	651 × 575.5	1.25
600 × 600	627 × 627	4.04	627 × 644	1.89	651 × 675.5	1.32
610 × 610	637 × 637	4.15	637 × 654	1.92	661 × 685.5	1.35
650 × 450	677 × 477	3.46	677 × 494	1.95	701 × 525.5	1.31
700 × 300	727 × 327	2.79	727 × 344	2.01	751 × 375.5	1.29
700 × 350	727 × 377	3.09	727 × 394	2.03	751 × 425.5	1.33
700 × 400	727 × 427	3.38	727 × 444	2.06	751 × 475.5	1.37
700 × 500	727 × 527	3.98	727 × 544	2.11	751 × 575.5	1.44
700 × 510	727 × 537	4.04	727 × 554	2.11	751 × 585.5	1.44
700 × 600	727 × 627	4.57	727 × 644	2.16	751 × 675.5	1.51
700 × 800	727 × 827	5.76	727 × 844	2.26	751 × 875.5	1.65
700 × 900	727 × 927	6.35	727 × 944	2.31	751 × 975.5	1.72
800 × 400	827 × 427	3.79	827 × 444	2.32	851 × 475.5	1.55
800 × 450	827 × 477	4.11	827 × 494	2.35	851 × 525.5	1.58
800 × 500	827 × 527	4.44	827 × 544	2.37	851 × 575.5	1.62
800 × 510	827 × 537	4.51	827 × 554	2.38	851 × 585.5	1.63
800 × 550	827 × 577	4.77	827 × 594	2.40	851 × 625.5	1.51
900 × 350	927 × 377	3.83	927 × 394	2.56	951 × 425.5	1.69
900 × 450	927 × 477	4.55	927 × 494	2.61	951 × 525.5	1.77
900 × 500	927 × 527	4.91	927 × 544	2.64	951 × 575.5	1.81
900 × 550	927 × 577	5.27	927 × 594	2.66	951 × 625.5	1.85
900 × 600	927 × 627	5.63	927 × 644	2.69	951 × 675.5	1.89
900 × 900	927 × 927	7.79	927 × 944	2.84	951 × 975.5	2.12
910 × 610	937 × 637	5.75	937 × 654	2.72	961 × 685.5	1.91
1000 × 250	1027 × 277	3.41	1027 × 294	2.78	1051 × 325.5	1.79
1000 × 500	1027 × 527	5.37	1027 × 544	2.90	1051 × 575.5	1.99
1000 × 510	1027 × 537	5.45	1027 × 554	2.91	1051 × 585.5	2.00
1000 × 800	1027 × 827	7.73	1027 × 844	3.05	1051 × 875.5	2.24
1100 × 450	1127 × 477	5.41	1127 × 494	3.14	1151 × 525.5	2.14
1100 × 550	1127 × 577	6.26	1127 × 594	3.19	1151 × 625.5	2.22
1100 × 600	1127 × 627	6.69	1127 × 644	3.22	1151 × 675.5	2.24
1200 × 300	1227 × 327	4.48	1227 × 344	3.33	1251 × 375.5	2.19
1200 × 350	1227 × 377	4.93	1227 × 394	3.36	1251 × 425.5	2.23
1200 × 500	1227 × 527	6.30	1227 × 544	3.43	1251 × 575.5	2.36
1200 × 600	1227 × 627	7.21	1227 × 644	3.48	1251 × 675.5	2.45
1200 × 700	1227 × 727	8.13	1227 × 744	3.53	1251 × 775.5	2.54
1200 × 800	1227 × 827	9.04	1227 × 844	3.58	1251 × 875.5	2.62
1300 × 510	1327 × 537	6.86	1327 × 554	3.70	1351 × 585.5	2.56
1300 × 600	1327 × 627	7.74	1327 × 644	3.75	1351 × 675.5	2.64
1400 × 575	1427 × 602	8.01	1427 × 619	4.00	1451 × 650.5	2.80
1450 × 550	1477 × 577	8.00	1477 × 594	4.12	1501 × 625.5	2.87

YA-WT-04 Curved Top-Hung Hinged Window (Round Corner)



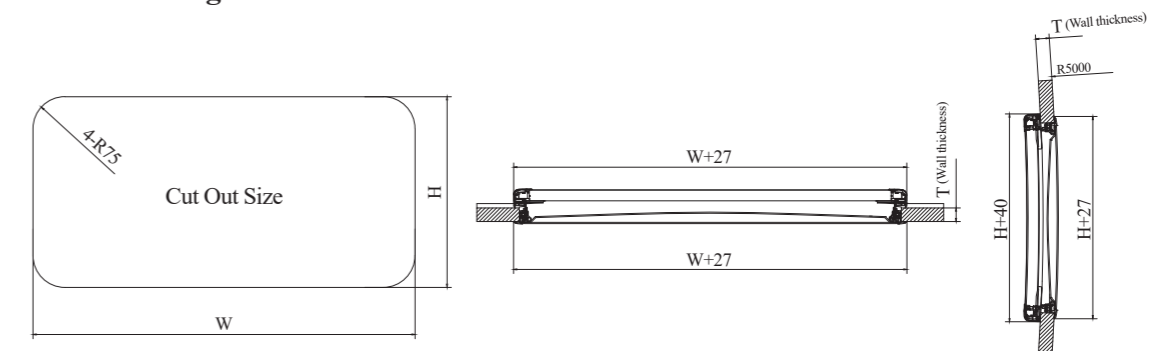
Specifications

Window			AL pleated blind	
Cut out size (mm) W×H	Overall size (mm) (W+27)×(H+27)	Weight (kg)	Overall size (mm) (W+27)×(H+40)	Weight (kg)
280 × 380	307 × 407	1.64	307 × 420	0.93
350 × 500	377 × 527	2.35	377 × 540	1.18
490 × 500	517 × 527	3.00	517 × 540	1.55
500 × 300	527 × 327	2.12	527 × 340	1.48
500 × 500	527 × 527	3.05	527 × 540	1.58
600 × 450	627 × 477	3.25	627 × 490	1.82
600 × 600	627 × 627	4.04	627 × 640	1.89
700 × 400	727 × 427	3.38	727 × 440	2.06
750 × 455	777 × 482	3.93	777 × 495	2.22
818 × 315	845 × 342	3.29	845 × 355	2.33
800 × 500	827 × 527	4.44	827 × 540	2.37
900 × 400	927 × 427	4.19	927 × 440	2.59
900 × 450	927 × 477	4.55	927 × 490	2.61
900 × 500	927 × 527	4.91	927 × 540	2.64
960 × 450	987 × 477	4.81	987 × 490	2.77
985 × 465	1012 × 492	5.03	1012 × 505	2.84
1000 × 500	1027 × 527	5.37	1027 × 540	2.90
1100 × 400	1127 × 427	4.99	1127 × 440	3.12
1100 × 600	1127 × 627	6.69	1127 × 640	3.22

Product Description

Frame	Broken bridge aluminum alloy, good thermal insulation, black, white, gray, can also be customized
Glass	Double glazing acrylic, UV resistant, with flat outer surface, black or light gray
Window stays	Infinitely adjustable window stays
Handle	Handle without lock
Blind	Pleated blind with aluminum frame
Curved radius	R5000mm, slightly curved exterior fits the camper van better
Certificate	E-Mark or DOT
Wall thickness	26-50mm

Installation Diagram



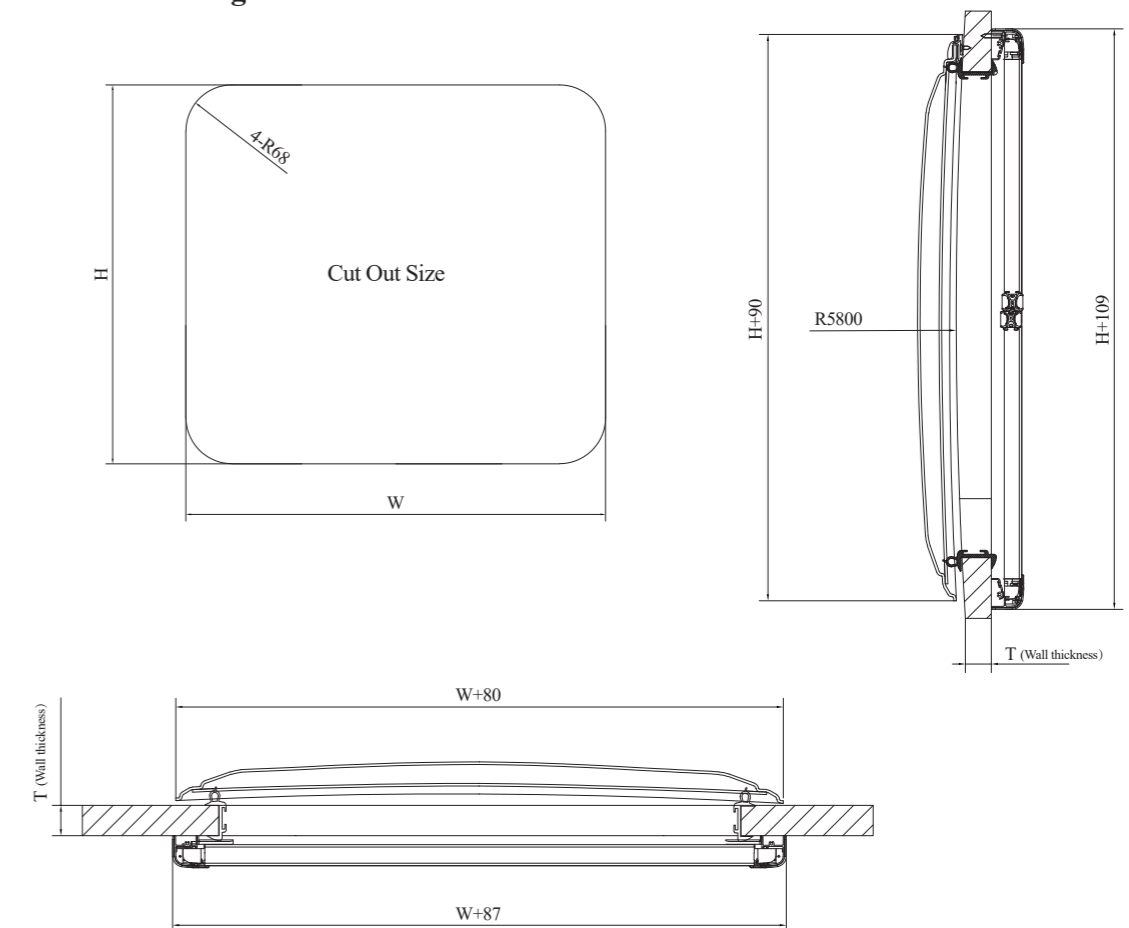
YA-WT-05 Frameless Curved Top-Hung Hinged Window



Specifications

Window		AL pleated blind	Total weight (kg)	PVC pleated blind
Cut out size (mm) W×H	Overall size (mm) (W+80) × (H+90)	Overall size (mm) (W+87) × (H+109)	Window+AL blind	Overall size (mm) (W+116) × (H+156)
260 × 560	340 × 650	347 × 669	6.06	376 × 716
620 × 560	700 × 650	707 × 669	9.40	736 × 716
735 × 560	815 × 650	822 × 669	11.07	851 × 716
970 × 560	1050 × 650	1057 × 669	13.33	1086 × 716

Installation Diagram



Product Description

Frame	Lightweight frameless design
Glass	Double glazing acrylic, UV resistant, black, or light gray
Window stays	Window stays with click-clack automatic
Handle	Handle without lock
Blind	Pleated blind with PVC frame or aluminum frame
Curved radius	R5800mm, slightly curved exterior fits the camper van better
Certificate	E-Mark or DOT

YA-WT-07 Tempered Glass Top-Hung Hinged Window



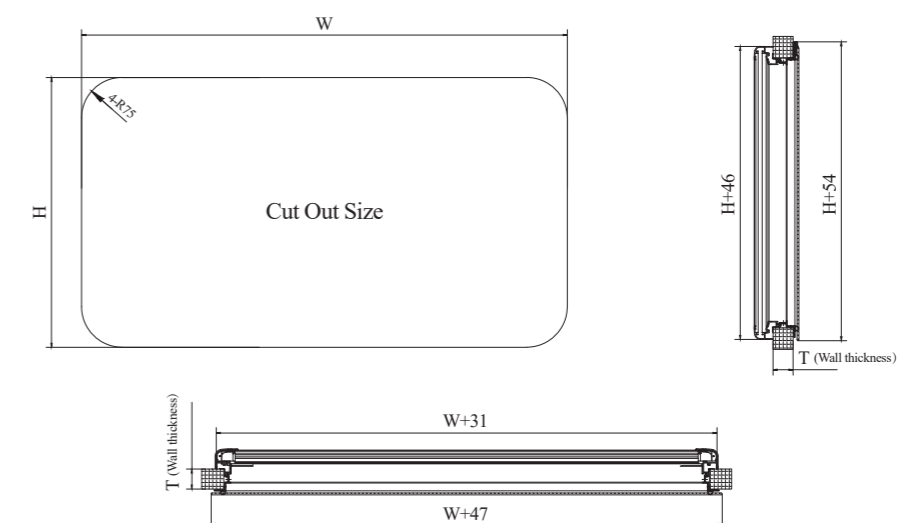
Specifications

Window			AL pleated blind	
Cut out size (mm) W×H	Overall size (mm) (W+47) × (H+54)	Weight (kg)	Overall size (mm) (W+31) × (H+46)	Weight (kg)
350 × 500	397 × 554	2.82	381 × 546	1.16
350 × 600	397 × 654	3.27	381 × 646	1.21
500 × 300	547 × 354	2.53	531 × 346	1.45
500 × 350	547 × 404	2.82	531 × 396	1.48
500 × 450	547 × 504	3.41	531 × 496	1.53
700 × 300	747 × 354	3.36	731 × 346	1.97
700 × 350	747 × 404	3.74	731 × 396	2.00
700 × 500	747 × 554	4.88	731 × 546	2.07
750 × 450	797 × 504	4.77	781 × 496	2.18
800 × 450	847 × 504	5.05	831 × 496	2.31
900 × 450	947 × 504	5.59	931 × 496	2.57
900 × 500	947 × 554	6.06	931 × 546	2.59
1000 × 500	1047 × 554	6.65	1031 × 546	2.85
1000 × 600	1047 × 654	7.67	1031 × 646	2.90
1100 × 450	1147 × 504	6.68	1131 × 496	3.09
1300 × 500	1347 × 554	8.42	1331 × 546	3.63

Product Description

Frame	High quality aluminum alloy, black, white, gray, can also be customized
Glass	Black single glazing tempered glass
Window stays	Infinitely adjustable window stays
Handle	Handle without lock
Blind	Pleated blind with aluminum frame
Certificate	E-Mark or DOT
Wall thickness	30-50mm

Installation Diagram



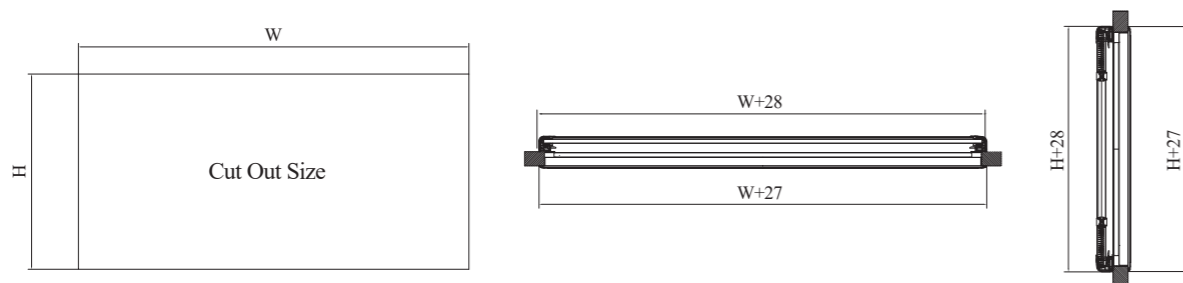
YA-WT-09 Top-Hung Hinged Window (Narrow Frame)



Product Description

Frame	High quality aluminum alloy, black, white, gray, can also be customized
Glass	Double glazing acrylic, UV resistant, flat outer surface, black or light gray
Window stays	Infinitely adjustable window stays
Handle	Handle with lock
Blind	Pleated blind or roller blind, with PVC frame or aluminum frame
Certificate	E-Mark or DOT
Wall thickness	25-35mm, 30-40mm, 35-45mm, 40-50mm, installation with mounting frame

Installation Diagram



Specifications

Window			PVC pleated blind		AL pleated blind	
Cut out size (mm) W×H	Overall size (mm) (W+27)×(H+27)	Weight (kg)	Overall size (mm) (W+43)×(H+43)	Weight (kg)	Overall size (mm) (W+28)×(H+28)	Weight (kg)
300 × 450	327 × 477	2.38	343 × 493	0.89	328 × 478	0.98
350 × 300	377 × 327	1.98	393 × 343	0.94	378 × 328	1.05
450 × 300	477 × 327	2.38	493 × 343	1.18	478 × 328	1.31
450 × 400	477 × 427	2.87	493 × 443	1.22	478 × 428	1.35
450 × 500	477 × 527	3.36	493 × 543	1.26	478 × 528	1.39
460 × 220	487 × 247	2.02	503 × 263	1.17	488 × 248	1.31
500 × 250	527 × 277	2.31	543 × 293	1.28	528 × 278	1.43
500 × 300	527 × 327	2.58	543 × 343	1.30	528 × 328	1.45
500 × 350	527 × 377	2.84	543 × 393	1.32	528 × 378	1.47
500 × 400	527 × 427	3.10	543 × 443	1.34	528 × 428	1.49
500 × 450	527 × 477	3.36	543 × 493	1.36	528 × 478	1.51
500 × 500	527 × 527	3.63	543 × 543	1.38	528 × 528	1.53
510 × 510	537 × 537	3.73	553 × 553	1.40	538 × 538	1.56
550 × 500	577 × 527	3.89	593 × 543	1.49	578 × 528	1.66
600 × 350	627 × 377	3.27	643 × 393	1.55	628 × 378	1.73
600 × 400	627 × 427	3.56	643 × 443	1.57	628 × 428	1.75
600 × 450	627 × 477	3.86	643 × 493	1.59	628 × 478	1.77
600 × 500	627 × 527	4.15	643 × 543	1.61	628 × 528	1.79
600 × 600	627 × 627	4.74	643 × 643	1.65	628 × 628	1.83
610 × 610	637 × 637	4.86	653 × 653	1.68	638 × 638	1.86
650 × 450	677 × 477	4.10	693 × 493	1.71	678 × 478	1.90
700 × 300	727 × 327	3.37	743 × 343	1.77	728 × 328	1.98
700 × 350	727 × 377	3.69	743 × 393	1.79	728 × 378	2.00
700 × 400	727 × 427	4.02	743 × 443	1.81	728 × 428	2.02
700 × 500	727 × 527	4.68	743 × 543	1.85	728 × 528	2.06
700 × 510	727 × 537	4.74	743 × 553	1.85	728 × 538	2.06
700 × 600	727 × 627	5.33	743 × 643	1.89	728 × 628	2.10
700 × 800	727 × 827	6.64	743 × 843	1.97	728 × 828	2.18
700 × 900	727 × 927	7.30	743 × 943	2.01	728 × 928	2.22
800 × 400	827 × 427	4.48	843 × 443	2.04	828 × 428	2.28
800 × 450	827 × 477	4.84	843 × 493	2.06	828 × 478	2.30
800 × 500	827 × 527	5.20	843 × 543	2.08	828 × 528	2.32
800 × 510	827 × 537	5.27	843 × 553	2.08	828 × 538	2.32
800 × 550	827 × 577	5.56	843 × 593	2.10	828 × 578	2.34
900 × 350	927 × 377	4.55	943 × 393	2.26	928 × 378	2.53
900 × 450	927 × 477	5.33	943 × 493	2.30	928 × 478	2.57
900 × 500	927 × 527	5.73	943 × 543	2.32	928 × 528	2.59
900 × 550	927 × 577	6.12	943 × 593	2.34	928 × 578	2.61
900 × 600	927 × 627	6.51	943 × 643	2.36	928 × 628	2.63
900 × 900	927 × 927	8.87	943 × 943	2.48	928 × 928	2.75
1000 × 250	1027 × 277	4.13	1043 × 293	2.45	1028 × 278	2.75
1000 × 500	1027 × 527	6.25	1043 × 543	2.55	1028 × 528	2.85
1000 × 510	1027 × 537	6.34	1043 × 553	2.55	1028 × 538	2.85
1000 × 800	1027 × 827	8.80	1043 × 843	2.67	1028 × 828	2.97
1100 × 450	1127 × 477	6.32	1143 × 493	2.77	1128 × 478	3.10
1100 × 550	1127 × 577	7.23	1143 × 593	2.81	1128 × 578	3.14
1100 × 600	1127 × 627	7.69	1143 × 643	2.83	1128 × 628	3.16
1200 × 300	1227 × 327	5.34	1243 × 343	2.94	1228 × 328	3.30
1200 × 350	1227 × 377	5.83	1243 × 393	2.96	1228 × 378	3.32
1200 × 500	1227 × 527	7.30	1243 × 543	3.02	1228 × 528	3.38
1200 × 600	1227 × 627	8.28	1243 × 643	3.06	1228 × 628	3.42
1200 × 700	1227 × 727	9.26	1243 × 743	3.10	1228 × 728	3.46
1200 × 800	1227 × 827	10.24	1243 × 843	3.14	1228 × 828	3.50
1300 × 510	1327 × 537	7.93	1343 × 553	3.26	1328 × 538	3.65
1300 × 600	1327 × 627	8.87	1343 × 643	3.30	1328 × 628	3.69
1400 × 575	1427 × 602	9.18	1443 × 618	3.52	1428 × 603	3.94
1450 × 550	1477 × 577	9.18	1493 × 593	3.63	1478 × 578	4.06

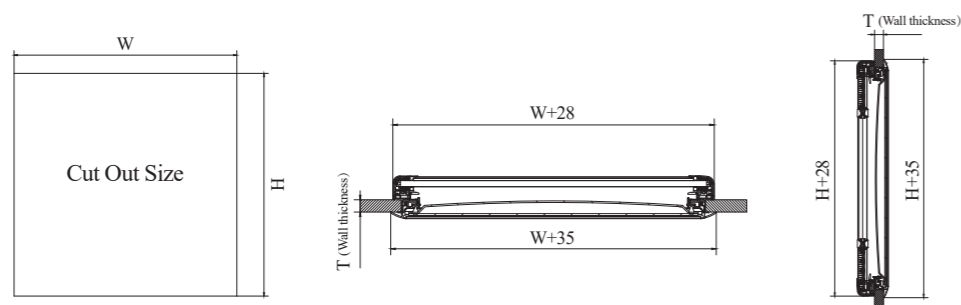
YA-WT-10 Top-Hung Hinged Window (Rectangle)



Product Description

Frame	High quality aluminum alloy, black, white, gray, can also be customized
Glass	Double glazing acrylic, UV resistant, flat outer surface, black or light gray
Window stays	Infinitely adjustable window stays
Handle	Handle with lock
Blind	Pleated blind or roller blind, with PVC frame or aluminum frame
Certificate	E-Mark or DOT
Wall thickness	25-40mm, 30-45mm, 35-50mm, installation with mounting frame

Installation Diagram



Specifications

Window			PVC pleated blind		AL pleated blind	
Cut out size (mm) W×H	Overall size (mm) (W+35) × (H+35)	Weight (kg)	Overall size (mm) (W+43) × (H+43)	Weight (kg)	Overall size (mm) (W+28) × (H+28)	Weight (kg)
300 × 450	335 × 485	2.42	343 × 493	0.89	328 × 478	0.98
350 × 300	385 × 335	2.01	393 × 343	0.94	378 × 328	1.05
450 × 300	485 × 335	2.42	493 × 343	1.18	478 × 328	1.31
450 × 400	485 × 435	2.92	493 × 443	1.22	478 × 428	1.35
450 × 500	485 × 535	3.43	493 × 543	1.26	478 × 528	1.39
460 × 220	495 × 255	2.05	503 × 263	1.17	488 × 248	1.31
500 × 250	535 × 285	2.35	543 × 293	1.28	528 × 278	1.43
500 × 300	535 × 335	2.62	543 × 343	1.30	528 × 328	1.45
500 × 350	535 × 385	2.89	543 × 393	1.32	528 × 378	1.47
500 × 400	535 × 435	3.16	543 × 443	1.34	528 × 428	1.49
500 × 450	535 × 485	3.43	543 × 493	1.36	528 × 478	1.51
500 × 500	535 × 535	3.70	543 × 543	1.38	528 × 528	1.53
510 × 510	545 × 545	3.81	553 × 553	1.40	538 × 538	1.56
550 × 500	585 × 535	3.97	593 × 543	1.49	578 × 528	1.66
600 × 350	635 × 385	3.33	643 × 393	1.55	628 × 378	1.73
600 × 400	635 × 435	3.63	643 × 443	1.57	628 × 428	1.75
600 × 450	635 × 485	3.94	643 × 493	1.59	628 × 478	1.77
600 × 500	635 × 535	4.24	643 × 543	1.61	628 × 528	1.79
600 × 600	635 × 635	4.85	643 × 643	1.65	628 × 628	1.83
610 × 610	645 × 645	4.97	653 × 653	1.68	638 × 638	1.86
650 × 450	685 × 485	4.19	693 × 493	1.71	678 × 478	1.90
700 × 300	735 × 335	3.43	743 × 343	1.77	728 × 328	1.98
700 × 350	735 × 385	3.77	743 × 393	1.79	728 × 378	2.00
700 × 400	735 × 435	4.10	743 × 443	1.81	728 × 428	2.02
700 × 500	735 × 535	4.78	743 × 543	1.85	728 × 528	2.06
700 × 510	735 × 545	4.85	743 × 553	1.85	728 × 538	2.06
700 × 600	735 × 635	5.46	743 × 643	1.89	728 × 628	2.10
700 × 800	735 × 835	6.81	743 × 843	1.97	728 × 828	2.18
700 × 900	735 × 935	7.48	743 × 943	2.01	728 × 928	2.22
800 × 400	835 × 435	4.58	843 × 443	2.04	828 × 428	2.28
800 × 450	835 × 485	4.95	843 × 493	2.06	828 × 478	2.30
800 × 500	835 × 535	5.32	843 × 543	2.08	828 × 528	2.32
800 × 510	835 × 545	5.39	843 × 553	2.08	828 × 538	2.32
800 × 550	835 × 585	5.69	843 × 593	2.10	828 × 578	2.34
900 × 350	935 × 385	4.64	943 × 393	2.26	928 × 378	2.53
900 × 450	935 × 485	5.45	943 × 493	2.30	928 × 478	2.57
900 × 500	935 × 535	5.86	943 × 543	2.32	928 × 528	2.59
900 × 550	935 × 585	6.27	943 × 593	2.34	928 × 578	2.61
900 × 600	935 × 635	6.67	943 × 643	2.36	928 × 628	2.63
900 × 900	935 × 935	9.11	943 × 943	2.48	928 × 928	2.75
1000 × 250	1035 × 285	4.20	1043 × 293	2.45	1028 × 278	2.75
1000 × 500	1035 × 535	6.40	1043 × 543	2.55	1028 × 528	2.85
1000 × 510	1035 × 545	6.49	1043 × 553	2.55	1028 × 538	2.85
1000 × 800	1035 × 835	9.04	1043 × 843	2.67	1028 × 828	2.97
1100 × 450	1135 × 485	6.47	1143 × 493	2.77	1128 × 478	3.10
1100 × 550	1135 × 585	7.41	1143 × 593	2.81	1128 × 578	3.14
1100 × 600	1135 × 635	7.89	1143 × 643	2.83	1128 × 628	3.16
1200 × 300	1235 × 335	5.45	1243 × 343	2.94	1228 × 328	3.30
1200 × 350	1235 × 385	5.96	1243 × 393	2.96	1228 × 378	3.32
1200 × 500	1235 × 535	7.48	1243 × 543	3.02	1228 × 528	3.38
1200 × 600	1235 × 635	8.50	1243 × 643	3.06	1228 × 628	3.42
1200 × 700	1235 × 735	9.51	1243 × 743	3.10	1228 × 728	3.46
1200 × 800	1235 × 835	10.53	1243 × 843	3.14	1228 × 828	3.50
1300 × 510	1335 × 545	8.13	1343 × 553	3.26	1328 × 538	3.65
1300 × 600	1335 × 635	9.10	1343 × 643	3.30	1328 × 628	3.69
1400 × 575	1435 × 610	9.42	1443 × 618	3.52	1428 × 603	3.94
1450 × 550	1485 × 585	9.42	1493 × 593	3.63	1478 × 578	4.06

YA-WT-11 Curved Top-Hung Hinged Window (Rectangle)



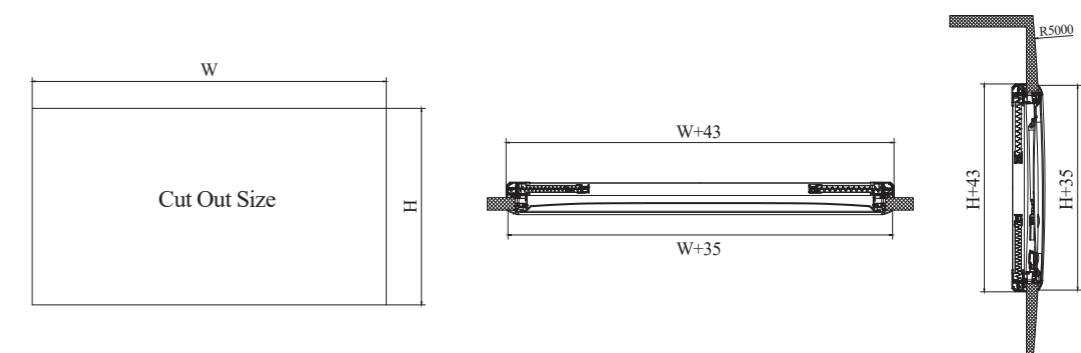
Specifications

Window			PVC pleated blind		AL pleated blind	
Cut out size (mm) W×H	Overall size (mm) (W+35)×(H+35)	Weight (kg)	Overall size (mm) (W+43)×(H+43)	Weight (kg)	Overall size (mm) (W+28)×(H+28)	Weight (kg)
280 × 380	315 × 415	2.04	323 × 423	0.81	308 × 408	0.89
350 × 500	385 × 535	2.89	393 × 543	1.02	378 × 528	1.13
490 × 500	525 × 535	3.65	533 × 543	1.35	518 × 528	1.50
500 × 300	535 × 335	2.62	543 × 343	1.30	528 × 328	1.45
500 × 500	535 × 535	3.70	543 × 543	1.38	528 × 528	1.53
600 × 450	635 × 485	3.94	643 × 493	1.59	628 × 478	1.77
600 × 600	635 × 635	4.85	643 × 643	1.65	628 × 628	1.83
700 × 400	735 × 435	4.10	743 × 443	1.81	728 × 428	2.02
750 × 455	785 × 490	4.73	793 × 498	1.94	778 × 483	2.17
800 × 500	835 × 535	5.32	843 × 543	2.08	828 × 528	2.32
818 × 315	853 × 350	4.02	861 × 358	2.05	846 × 343	2.29
900 × 400	935 × 435	5.05	943 × 443	2.28	928 × 428	2.55
900 × 450	935 × 485	5.45	943 × 493	2.30	928 × 478	2.57
900 × 500	935 × 535	5.86	943 × 543	2.32	928 × 528	2.59
960 × 450	995 × 485	5.76	1003 × 493	2.44	988 × 478	2.72
985 × 465	1020 × 500	6.01	1028 × 508	2.50	1013 × 493	2.80
1000 × 500	1035 × 535	6.40	1043 × 543	2.55	1028 × 528	2.85
1100 × 400	1135 × 435	5.99	1143 × 443	2.75	1128 × 428	3.08
1100 × 600	1135 × 635	7.89	1143 × 643	2.83	1128 × 628	3.16

Product Description

Frame	High quality aluminum alloy, black, white, gray, can also be customized
Glass	Double glazing acrylic, UV resistant, with flat outer surface, black or light gray
Window stays	Infinitely adjustable window stays
Handle	Handle with lock
Blind	Pleated blind with PVC or aluminum frame
Curved radius	R5000mm, slightly curved exterior fits the camper van better
Certificate	E-Mark or DOT
Wall thickness	25-40mm, 30-45mm, 35-50mm, installation with mounting frame

Installation Diagram



YA-WT-17 Curved Top-Hung Hinged Window (Narrow Frame)



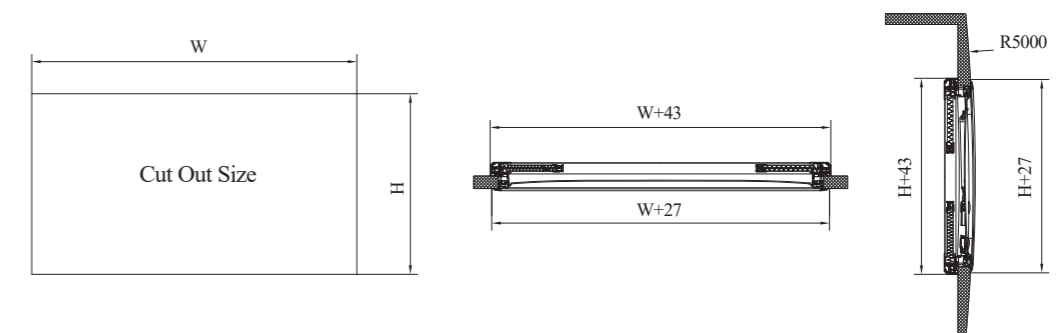
Specifications

Window			PVC pleated blind		AL pleated blind	
Cut out size (mm) W×H	Overall size (mm) (W+27)×(H+27)	Weight (kg)	Overall size (mm) (W+43)×(H+43)	Weight (kg)	Overall size (mm) (W+28)×(H+28)	Weight (kg)
280 × 380	307 × 407	2.04	323 × 423	0.81	308 × 408	0.89
350 × 500	377 × 527	2.89	393 × 543	1.02	378 × 528	1.13
490 × 500	517 × 527	3.65	533 × 543	1.35	518 × 528	1.50
500 × 300	527 × 327	2.62	543 × 343	1.30	528 × 328	1.45
500 × 500	527 × 527	3.70	543 × 543	1.38	528 × 528	1.53
600 × 450	627 × 477	3.94	643 × 493	1.59	628 × 478	1.77
600 × 600	627 × 627	4.85	643 × 643	1.65	628 × 628	1.83
700 × 400	727 × 427	4.10	743 × 443	1.81	728 × 428	2.02
750 × 455	777 × 482	4.73	793 × 498	1.94	778 × 483	2.17
800 × 500	827 × 527	5.32	843 × 543	2.08	828 × 528	2.32
818 × 315	845 × 342	4.02	861 × 358	2.05	846 × 343	2.29
900 × 400	927 × 427	5.05	943 × 443	2.28	928 × 428	2.55
900 × 450	927 × 477	5.45	943 × 493	2.30	928 × 478	2.57
900 × 500	927 × 527	5.86	943 × 543	2.32	928 × 528	2.59
960 × 450	987 × 477	5.76	1003 × 493	2.44	988 × 478	2.72
985 × 465	1012 × 492	6.01	1028 × 508	2.50	1013 × 493	2.80
1000 × 500	1027 × 527	6.40	1043 × 543	2.55	1028 × 528	2.85
1100 × 400	1127 × 427	5.99	1143 × 443	2.75	1128 × 428	3.08
1100 × 600	1127 × 627	7.89	1143 × 643	2.83	1128 × 628	3.16

Product Description

Frame	High quality aluminum alloy, black, white, gray, can also be customized
Glass	Double glazing acrylic, UV resistant, with flat outer surface, black or light gray
Window stays	Infinitely adjustable window stays
Blind	Pleated blind with PVC or aluminum frame
Handle	Handle with lock
Curved radius	R5000mm, slightly curved exterior fits the camper van better
Certificate	E-Mark or DOT
Wall thickness	25-35mm, 30-40mm, 35-45mm, 40-50mm, installation with mounting frame

Installation Diagram



YA-D Tempered Glass Sliding Window



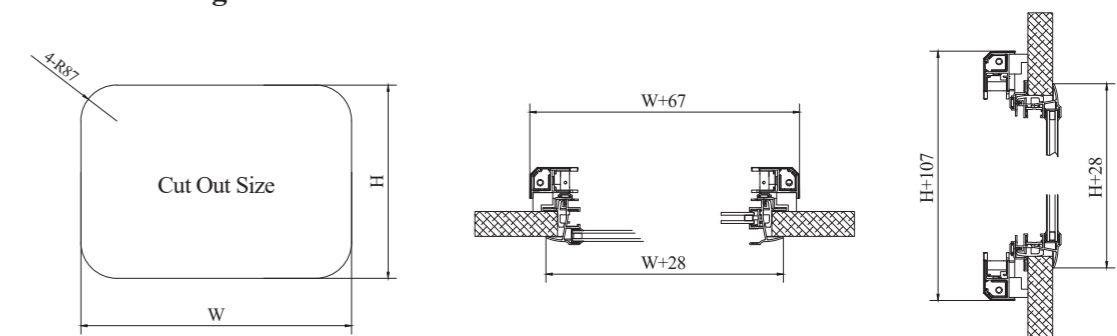
Specifications

Window			PVC pleated blind	
Cut out size (mm) W × H	Overall size (mm) (W+28) × (H+28)	Weight (kg)	Overall size (mm) (W+67) × (H+107)	Weight (kg)
500 × 300	528 × 328	4.83	567 × 407	1.45
500 × 350	528 × 378	5.43	567 × 457	1.47
500 × 450	528 × 478	6.64	567 × 557	1.51
550 × 450	578 × 478	7.16	617 × 557	1.63
570 × 350	598 × 378	6.04	637 × 457	1.64
600 × 350	628 × 378	6.29	667 × 457	1.72
600 × 450	628 × 478	7.67	667 × 557	1.76
600 × 520	628 × 548	8.64	667 × 627	1.78
600 × 800	628 × 828	12.50	667 × 907	1.90
655 × 390	683 × 418	7.36	722 × 497	1.87
655 × 468	683 × 496	8.51	722 × 575	1.90
700 × 300	728 × 328	6.38	767 × 407	1.95
700 × 400	728 × 428	7.93	767 × 507	1.99
700 × 450	728 × 478	8.71	767 × 557	2.01
770 × 520	798 × 548	10.61	837 × 627	2.21
800 × 340	828 × 368	7.84	867 × 447	2.21
800 × 350	828 × 378	8.01	867 × 457	2.22
800 × 400	828 × 428	8.88	867 × 507	2.24
800 × 450	828 × 478	9.74	867 × 557	2.26
800 × 540	828 × 568	11.30	867 × 647	2.29
800 × 700	828 × 728	14.07	867 × 807	2.36
900 × 450	928 × 478	10.78	967 × 557	2.51
900 × 500	928 × 528	11.73	967 × 607	2.53
900 × 550	928 × 578	12.68	967 × 657	2.55
900 × 750	928 × 778	16.49	967 × 857	2.63
960 × 450	988 × 478	11.40	1027 × 557	2.66
1000 × 500	1028 × 528	12.85	1067 × 607	2.78
1000 × 650	1028 × 678	15.97	1067 × 757	2.84
1100 × 595	1128 × 623	16.12	1167 × 702	3.06

Product Description

Frame	High quality aluminum alloy, black, white, gray, can also be customized
Glass	Double glazing tempered glass, black or white transparent
Style	Left and right sliding type, up and down lifting type or fixed type
Optional accessories	Pleated blind with PVC frame
Certificate	E-Mark or DOT
Wall thickness	30mm, 38mm, 40mm, 50mm, 53mm, 56mm

Installation Diagram



YA-WT-12 Acrylic Glass Sliding Window (Round Corner)



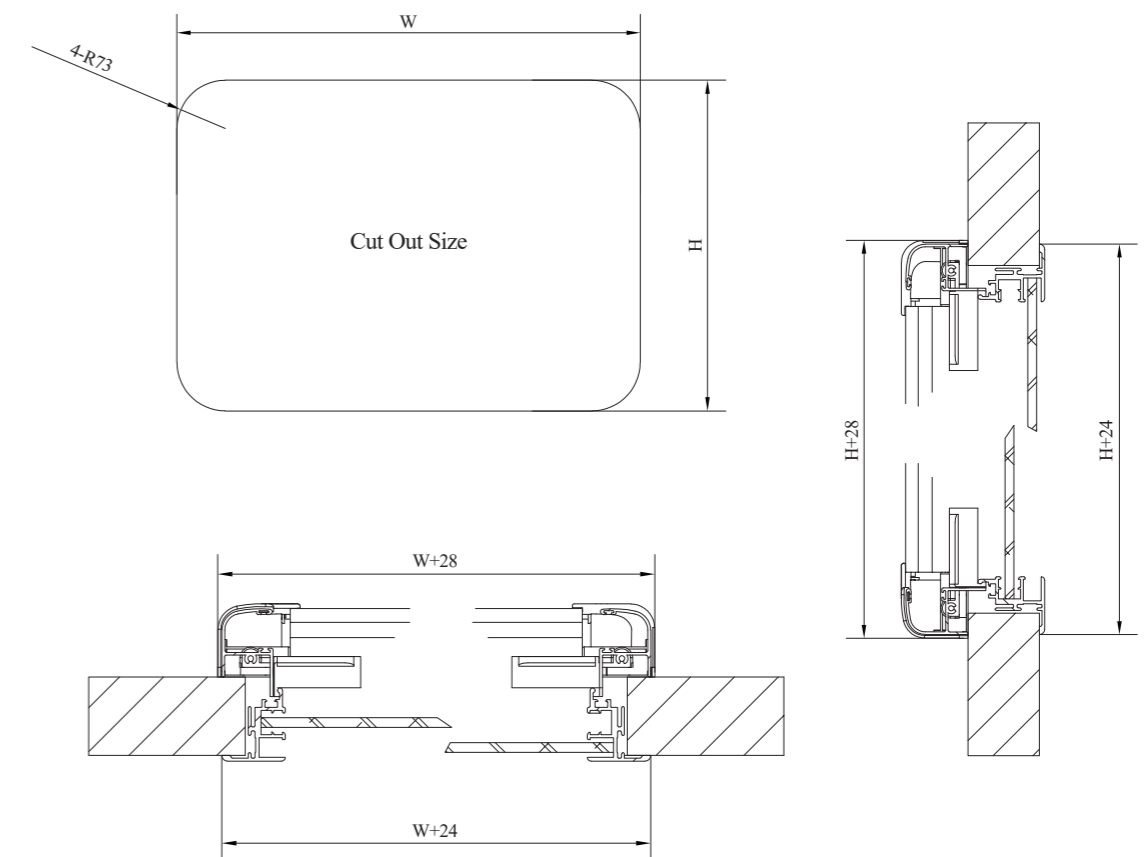
Product Description

Frame	High quality aluminum alloy, black, white, gray, can also be customized
Glass	Double glazing acrylic, UV resistant, black or light gray
Style	Left and right sliding type
Blind	Pleated blind with PVC frame or aluminum frame
Certificate	E-Mark or DOT
Wall thickness	30-50mm

Specifications

Window			PVC pleated blind		AL pleated blind	
Cut out size (mm) W×H	Overall size (mm) (W+24)×(H+24)	Weight (kg)	Overall size (mm) (W+93)×(H+93)	Weight (kg)	Overall size (mm) (W+28)×(H+28)	Weight (kg)
700 × 400	724 × 424	4.15	793 × 493	1.97	728 × 428	2.02
700 × 500	724 × 524	4.15	793 × 593	2.01	728 × 528	2.06
800 × 510	824 × 534	4.84	893 × 603	2.25	828 × 538	2.32
900 × 450	924 × 474	4.80	993 × 543	2.47	928 × 478	2.57
1200 × 500	1224 × 524	7.12	1293 × 593	3.21	1228 × 528	3.38

Installation Diagram



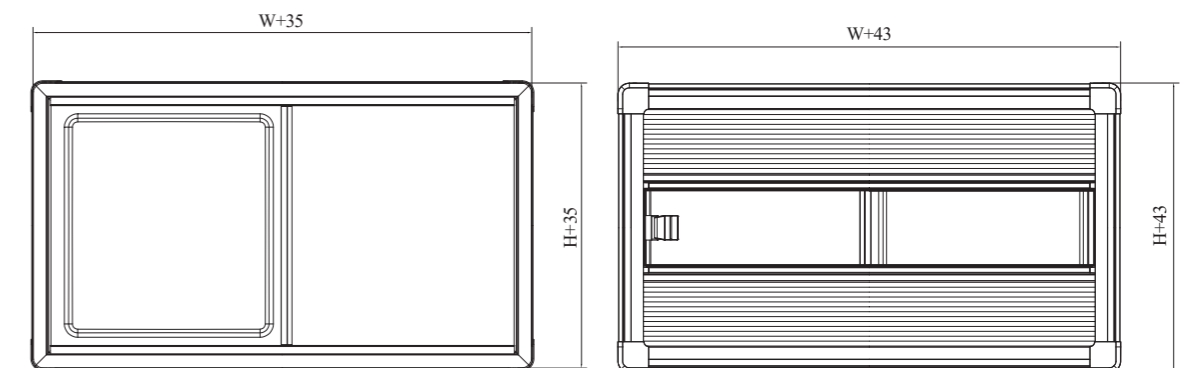
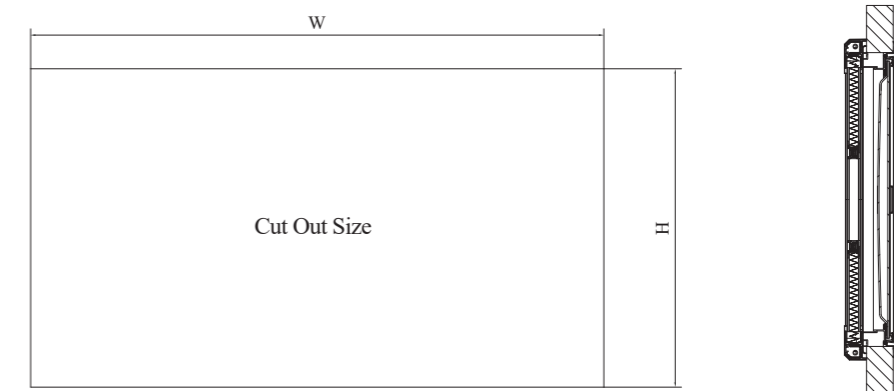
YA-WT-13 Acrylic Glass Sliding Window (Rectangle)



Specifications

Window			PVC pleated blind		AL pleated blind	
Cut out size (mm) W×H	Overall size (mm) (W+35)×(H+35)	Weight (kg)	Overall size (mm) (W+43)×(H+43)	Weight (kg)	Overall size (mm) (W+28)×(H+28)	Weight (kg)
500 × 450	535 × 485	2.66	543 × 493	1.36	528 × 478	1.51
700 × 300	735 × 335	2.49	743 × 343	1.77	728 × 328	1.98
700 × 400	735 × 435	3.32	743 × 443	1.81	728 × 428	2.02
900 × 450	935 × 485	4.79	943 × 493	2.30	928 × 478	2.57
900 × 500	935 × 535	5.33	943 × 543	2.32	928 × 528	2.59
1000 × 500	1035 × 535	5.92	1043 × 543	2.55	1028 × 528	2.85
1200 × 500	1235 × 535	7.10	1243 × 543	3.02	1228 × 528	3.38

Installation Diagram



Product Description

Frame	High quality aluminum alloy, black, white, gray, can also be customized
Glass	Double glazing acrylic, UV resistant, black, or light gray
Style	Left and right sliding type
Blind	Pleated blind or roller blind, with PVC frame or aluminum frame
Certificate	E-Mark or DOT
Wall thickness	25-40mm, 30-45mm, 35-50mm, installation with mounting frame

YA-WT-14 Porthole Window



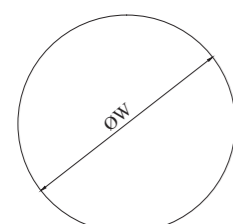
Product Description

Frame	High quality aluminum alloy
Frame color	Black, white, gray, can also be customized
Glass	Double glazing acrylic, UV resistant, black, or light gray
Optional accessories	Pleated blind with aluminum frame (order separately)
Certificate	E-Mark or DOT
Wall thickness	40mm

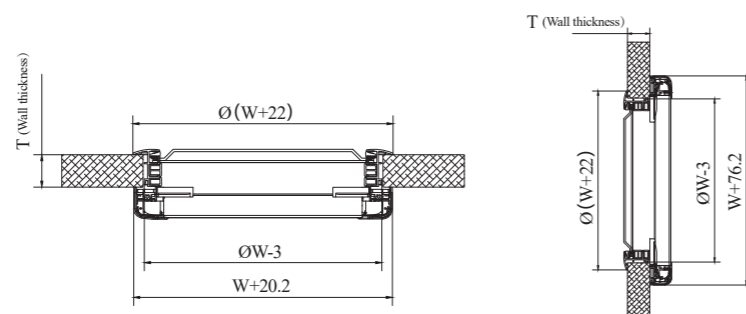
Specifications

Window				AL Pleated Blind	
Cut out size (mm) W	Product size (mm) W-3	Overall size (mm) W+22	Weight (kg)	Overall size (mm) (W+76.2) × (W+20.2)	Weight (kg)
Φ298	Φ295	Φ320	1.35	374.2 x 318.2	1.05

Installation Diagram



Cut Out Size



YA-WT-15 Acrylic Glass Sliding Window (Round Corner)



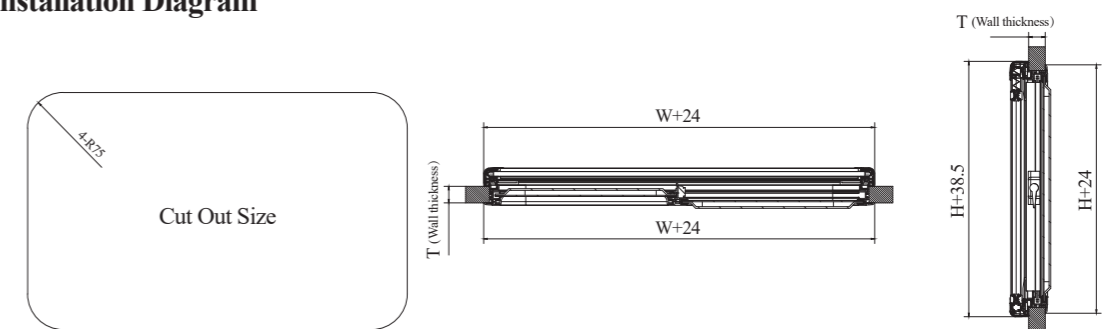
Product Description

Frame	High quality aluminum alloy, black, white, gray, can also be customized
Glass	Double glazing acrylic, UV resistant, black or light gray
Style	Left and right sliding type
Blind	Pleated blind with PVC frame or aluminum frame
Certificate	E-Mark or DOT
Wall thickness	30-50mm

Specifications

Window			AL pleated blind	
Cut out size (mm) W × H	Overall size (mm) (W+24) × (H+24)	Weight (kg)	Overall size (mm) (W+24) × (H+38.5)	Weight (kg)
500 × 300	524 × 324	2.80	524 × 338.5	1.45

Installation Diagram



YA-WT-16 Acrylic Glass Sliding Window (Narrow Frame)



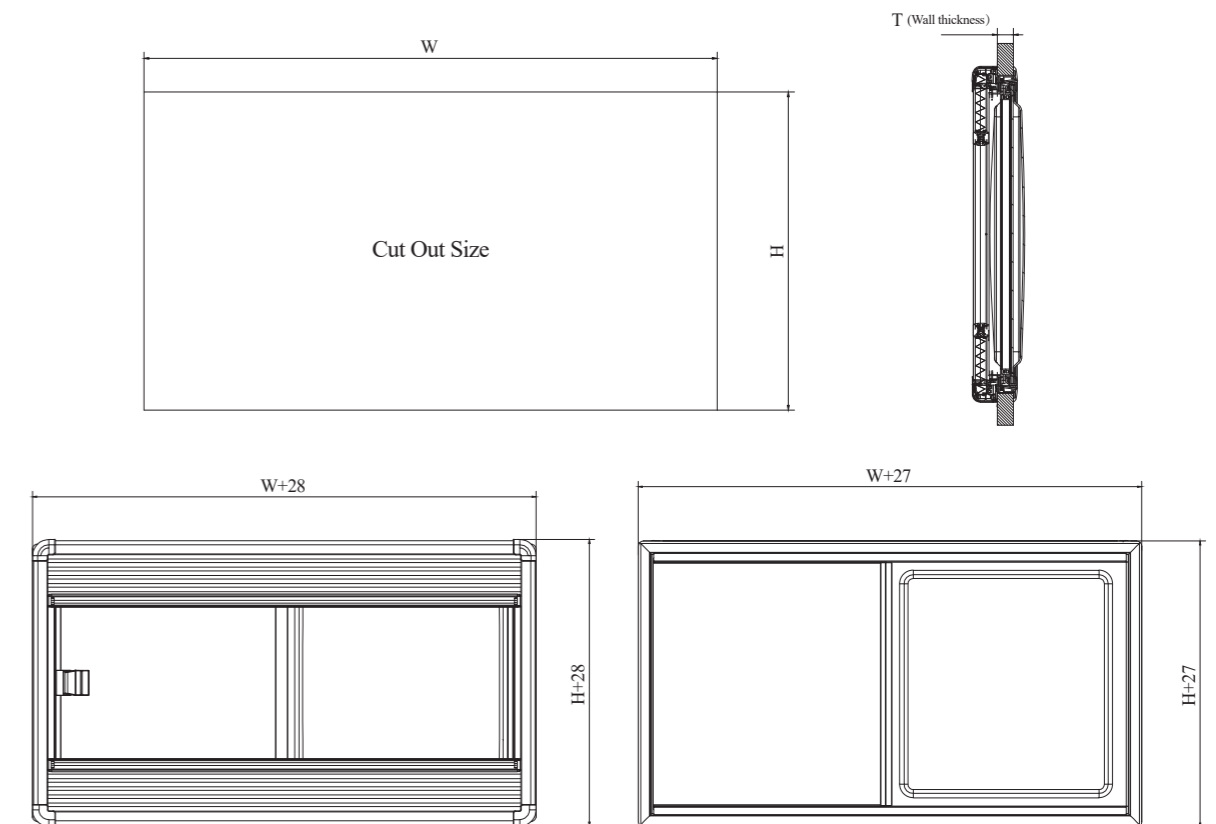
Product Description

Frame	High quality aluminum alloy, black, white, gray, can also be customized
Glass	Double glazing acrylic, UV resistant, black, or light gray
Style	Left and right sliding type
Blind	Pleated blind or roller blind, with PVC frame or aluminum frame
Certificate	E-Mark or DOT
Wall thickness	25-40mm, 30-45mm, 35-50mm, 40-55mm, installation with mounting frame

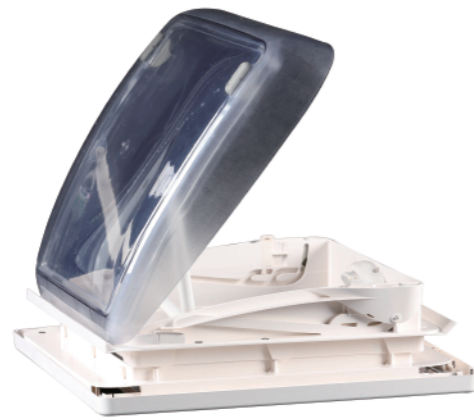
Specifications

Window			PVC pleated blind		AL pleated blind	
Cut out size (mm) W×H	Overall size (mm) (W+27)×(H+27)	Weight (kg)	Overall size (mm) (W+43)×(H+43)	Weight (kg)	Overall size (mm) (W+28)×(H+28)	Weight (kg)
500 × 450	527 × 477	2.66	543 × 493	1.36	528 × 478	1.51
700 × 300	727 × 327	2.49	743 × 343	1.77	728 × 328	1.98
700 × 400	727 × 427	3.32	743 × 443	1.81	728 × 428	2.02
900 × 450	927 × 477	4.79	943 × 493	2.30	928 × 478	2.57
900 × 500	927 × 527	5.33	943 × 543	2.32	928 × 528	2.59
1000 × 500	1027 × 527	5.92	1043 × 543	2.55	1028 × 528	2.85
1200 × 500	1227 × 527	7.10	1243 × 543	3.02	1228 × 528	3.38

Installation Diagram



YA-L Skylight



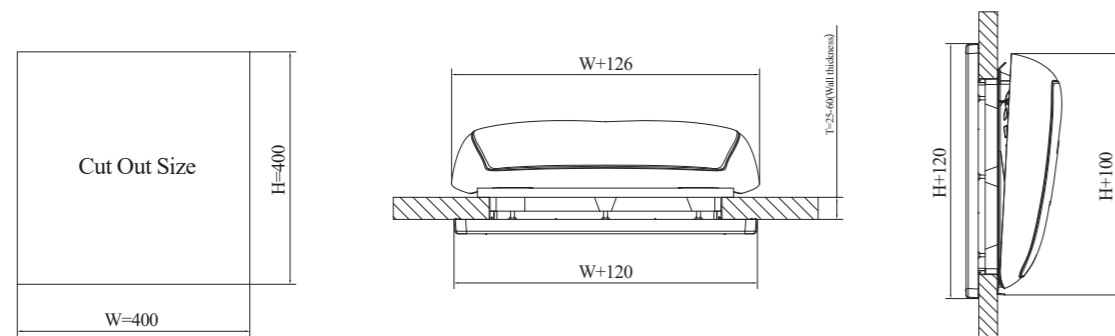
Product Description

Frame	Modified plastic material
Glass	Double glazing acrylic, UV resistant, light tinting
Opening angle	Three opening position, maximum opening angle is 50°
Blind	Pleated mosquito screen and blind with PVC frame
Certificate	E-Mark or DOT
Wall thickness	25-42mm

Specifications

Skylight			PVC pleated blind	
Cut out size (mm) W × H	Overall size (mm) (W+126) × (H+100)	Weight (kg)	Overall size (mm) (W+120) × (H+120)	Weight (kg)
400 × 400	526 × 500	2.90	520 × 520	0.70

Installation Diagram



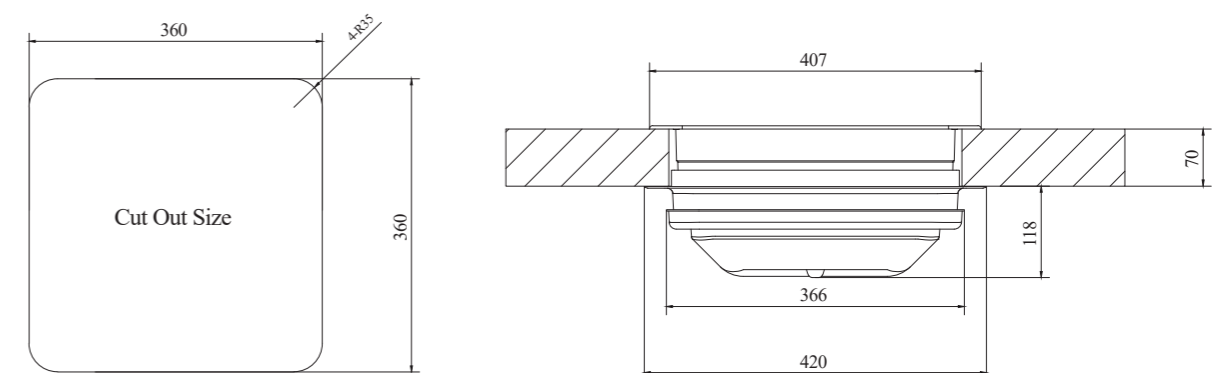
YA-S Roof Vent



Product Description

Cut out size	360 x 360mm
Overall size of inner frame	407 x 407mm
Height (Closed)	118mm
Roof thickness	25-70mm
Max. opening angle	45°
Screen	Removable
Fan diameter	150mm
Ventilator fan	12V 1.2A
LED Light	10W
Net weight	1.88kg

Installation Diagram



YA-SC-01 Pleated Blind with PVC Frame (Rectangle)



Product Description

Frame	White PVC
Blind	Black insect screen and white blackout, can be used separately or together, freely adjustable
Handle	Aluminum handle strips with magnet
Installation	Mounting holes in the four side frames, fixed with screws, covered with decorative strips
Appearance	No exposed screws after installation
Suitability	WT-01, WT-05, WT-09, WT-10, WT-11, WT-12, WT-13, YA-D, WT-15, WT-16, WT-17

YA-SC-02 Pleated Blind with PVC Frame (Round Corner)



Product Description

Frame	White PVC
Blind	Black insect screen and printed blackout, can be used separately or together, freely adjustable
Handle	Aluminum handle strips with magnet
Installation	Mounting holes in the four corners, fixed with screws, covered with decorative caps
Appearance	No exposed screws after installation
Suitability	WT-02, WT-12, WT-15

YA- SC-06 Roller Blind with PVC Frame



Product Description

Frame	White PVC
Blind	Black insect screen and white blackout, can be used separately or together, freely adjustable
Handle	Aluminum handle strips without magnet
Installation	Mounting holes in the four corners, fixed with screws, covered with decorative caps
Appearance	No exposed screws after installation
Suitability	WT-01, WT-02, WT-09, WT-10, WT-13, WT-16

YA-SC-03 Pleated Blind with Aluminum Frame



Product Description

Frame	Powder-coated aluminum frame, white
Feature	The frame can also be slightly curved to fit the camper van perfectly
Blind	Black insect screen and white blackout, can be used separately or together, freely adjustable
Handle	Aluminum handle strips with magnet
Installation	Mounting holes in the four corners, fixed with screws, covered with decorative caps
Appearance	No exposed screws after installation
Suitability	WT-02, WT-04, WT-05, WT-07, WT-09, WT-10, WT-11, WT-12, WT-13, WT-14, WT-15, WT-16, WT-17

YA-SC-07 Roller Blind with Aluminum Frame



Product Description

Frame	Powder-coated aluminum frame, white or black
Blind	Black insect screen, black or white blackout, can be used separately or together, freely adjustable
Handle	Aluminum handle strips with magnet
Installation	Mounting holes in the four side frames, fixed with screws, covered with decorative strips
Appearance	No exposed screws after installation
Suitability	WT-01, WT-02, WT-09, WT-10, WT-13, WT-16

YA-MD-01 Entry Door



Product Description

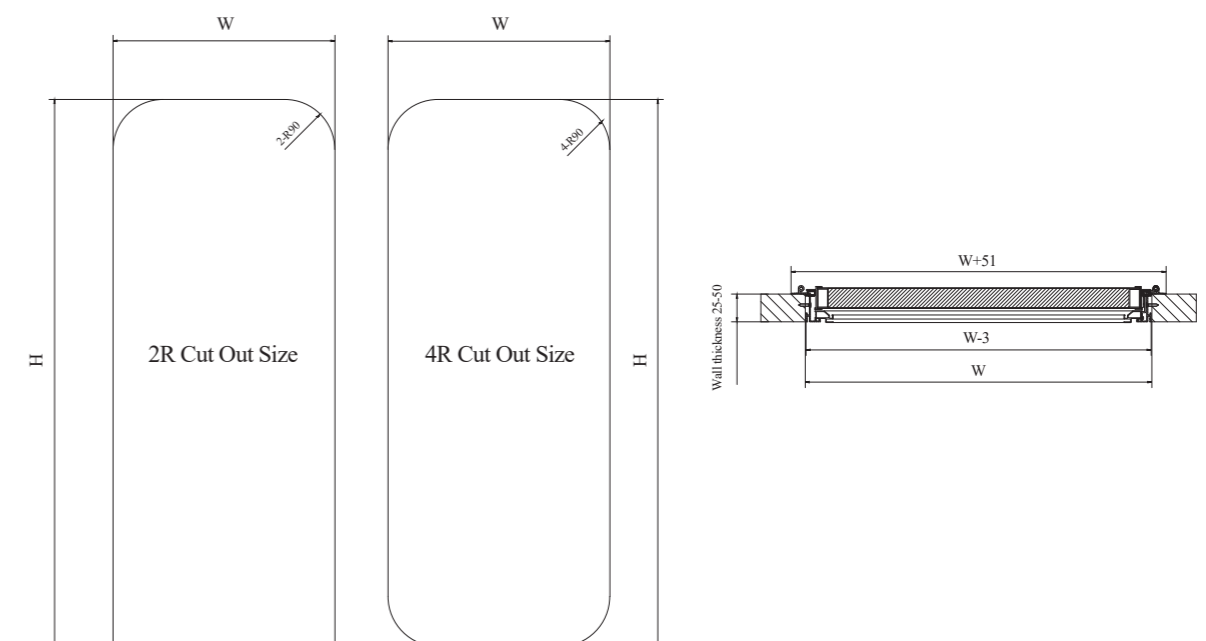
Frame & Panel	High-quality aluminum alloy, black, white, gray, can also be customized
Glass	Single glazing tempered glass
Screen door	Security mesh is made of high-quality aluminum alloy mesh and insect screen is made of high strength fiberglass mesh
Lock options	Single point lock or double safety lock
Optional accessories	Decorative rubber strips and blackout blind (order separately)
Feature	Outer door and security door can be separated, good ventilation and insect protection performance
Certificate	E-Mark or DOT
Wall thickness	25-50mm

Specifications

2R Entry Door: R90mm			
Cut out size (mm) W×H	Overall size (mm) (W+51)×(H+39)	Pass size (mm) (W-55)×(H-45)	Weight (kg)
550 × 1750	601 × 1789	495 × 1705	17.70
620 × 1620	671 × 1659	565 × 1575	18.60
622 × 1115	673 × 1154	567 × 1070	12.80
625 × 1825	676 × 1864	570 × 1780	21.10
700 × 1825	751 × 1864	645 × 1780	23.60
700 × 2000	751 × 2039	645 × 1955	25.70
900 × 1600	951 × 1639	845 × 1555	26.50

4R Entry Door: R90mm			
Cut out size (mm) W×H	Overall size (mm) (W+51)×(H+51)	Pass size (mm) (W-55)×(H-55)	Weight (kg)
570 × 1750	621 × 1801	515 × 1695	18.50
580 × 1755	631 × 1806	525 × 1700	18.70
600 × 1300	651 × 1351	545 × 1245	14.50
603 × 1753	654 × 1804	548 × 1698	19.50
620 × 1750	671 × 1801	565 × 1695	20.00
620 × 1820	671 × 1871	565 × 1765	20.80
711 × 1981	762 × 2032	656 × 1926	25.90

Installation Diagram



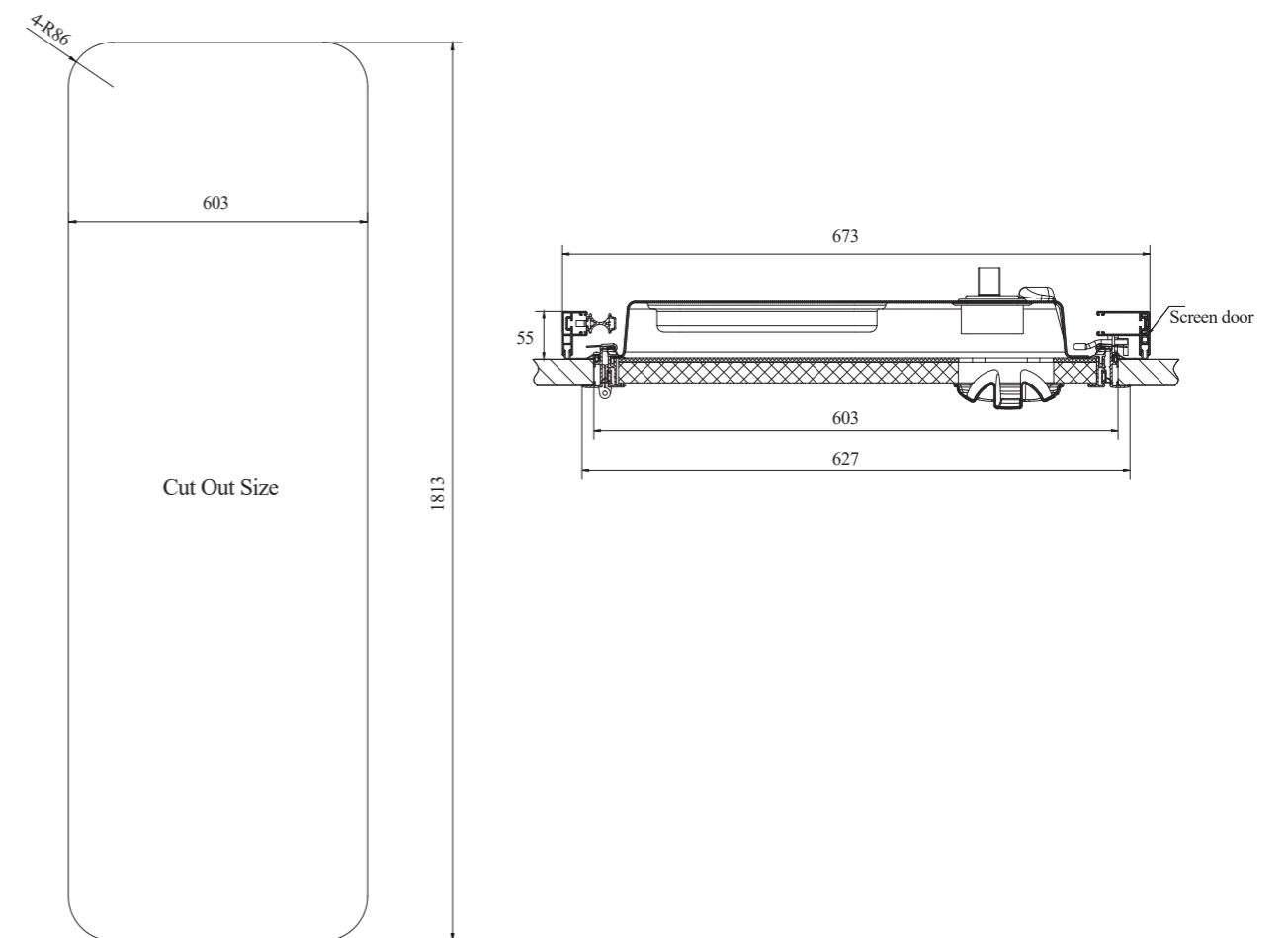
YA-MD-03 Entry Door



Specifications

Cut out size (mm) W×H	Overall size of door frame (mm) (W+24)×(H+24)	Overall size of screen door (mm) (W+70)×(H+42)	Weight (kg)
603 × 1813	627 × 1837	673 × 1855	22.50

Installation Diagram



Product Description

Frame	High-quality aluminum alloy, white
Panel	Aluminum alloy and composite thermal insulation material, white
Glass	Double glazing acrylic glass, UV resistant, equipped with blackout blind
Lock	Two-point lock, safe and reliable, can also be connected to the central control system of the whole vehicle
Screen door	Side pull style screen door, fastened with a snap connection
Certificate	E-Mark or DOT
Wall thickness	30-45mm

YA-MD-05 Entry Door



Product Description

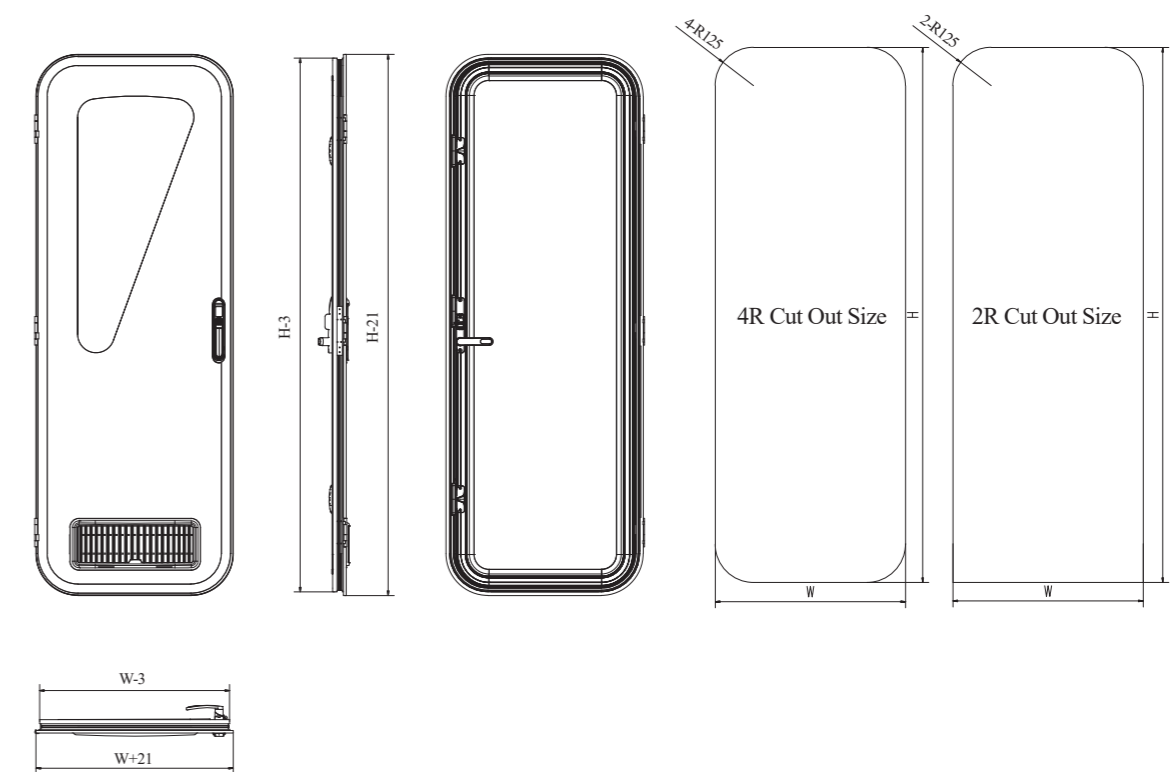
Frame	High quality aluminum alloy, black, white, gray, can also be customized
Panel	High-density PVC board and high-strength aluminum composite material
Glass	Single glazing acrylic glass, UV resistant
Lock options	Special three-point or four-point lock, with hidden handle, safe and reliable
Optional accessories	Black or white blackout roller blind (order separately), protection of privacy and shading
Screen door	Made of stainless-steel mesh
Radius	2R or 4R, R125mm or R90mm
Certificate	E-Mark or DOT
Wall thickness	27-35mm

Specifications

2R Entry door		
Cut out size (mm) W×H	Overall size (mm) (W+21)×(H+21)	Weight (kg)
572 × 1623	593 × 1644	15.10
572 × 1723	593 × 1744	16.00
622 × 1750	643 × 1771	17.50

4R Entry door		
Cut out size (mm) W×H	Overall size (mm) (W+21)×(H+21)	Weight (kg)
572 × 1623	593 × 1644	15.30
572 × 1723	593 × 1744	16.20
622 × 1750	643 × 1771	17.70

Installation Diagram



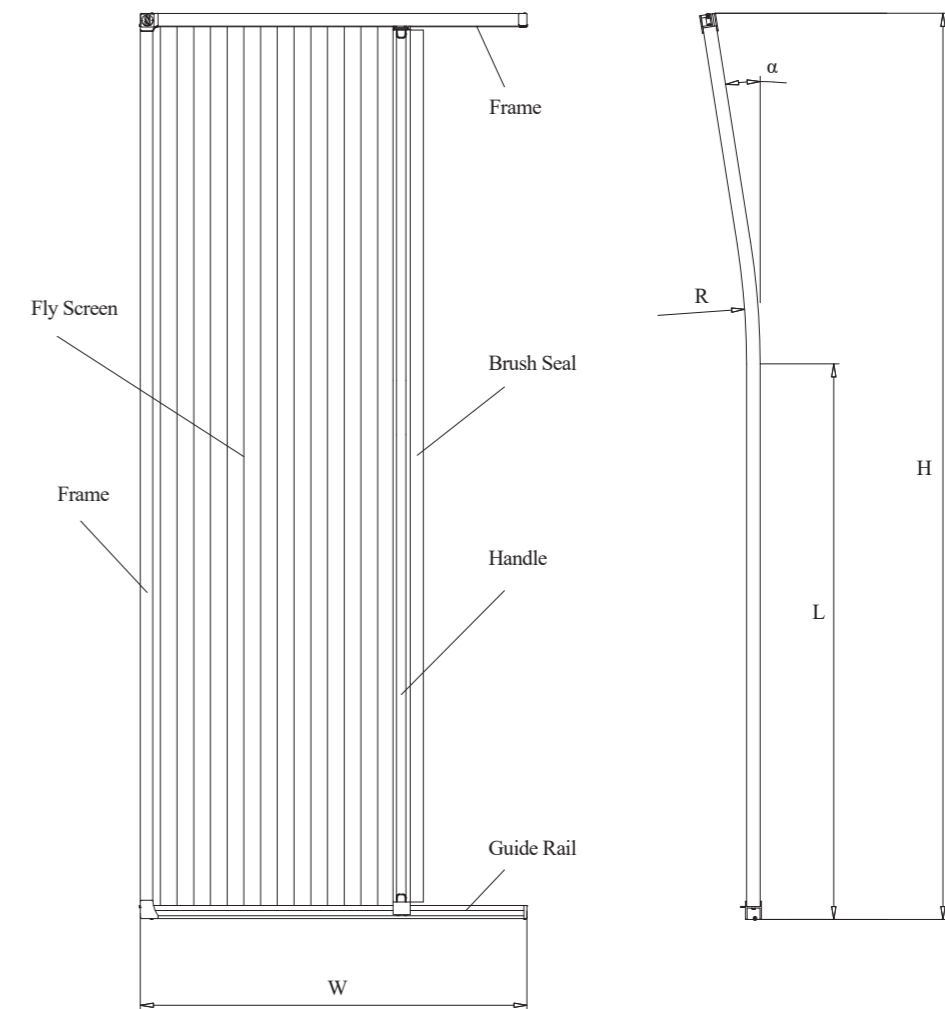
YA-SM-01 Screen Door



Specifications

Overall size (mm) W×H	Bending angle	Weight (kg)
610 × 665	7°	1.26
740 × 1735	9°	2.85
780 × 726	9°	1.51
1270 × 1735	9°	3.35
2000 × 2000	0°	4.21

Installation Diagram



Product Description

Frame & handle	Lightweight aluminum alloy
Color	Black or white, can also be customized
Guide rail	Aluminum oxide material, prevent trampling and prevent dust
Insect screen	Black pleated mesh with environmental protection certificate
Pull cord	High-strength, wear-resistant pull cord
Bending angle	It can be customized according to the van type

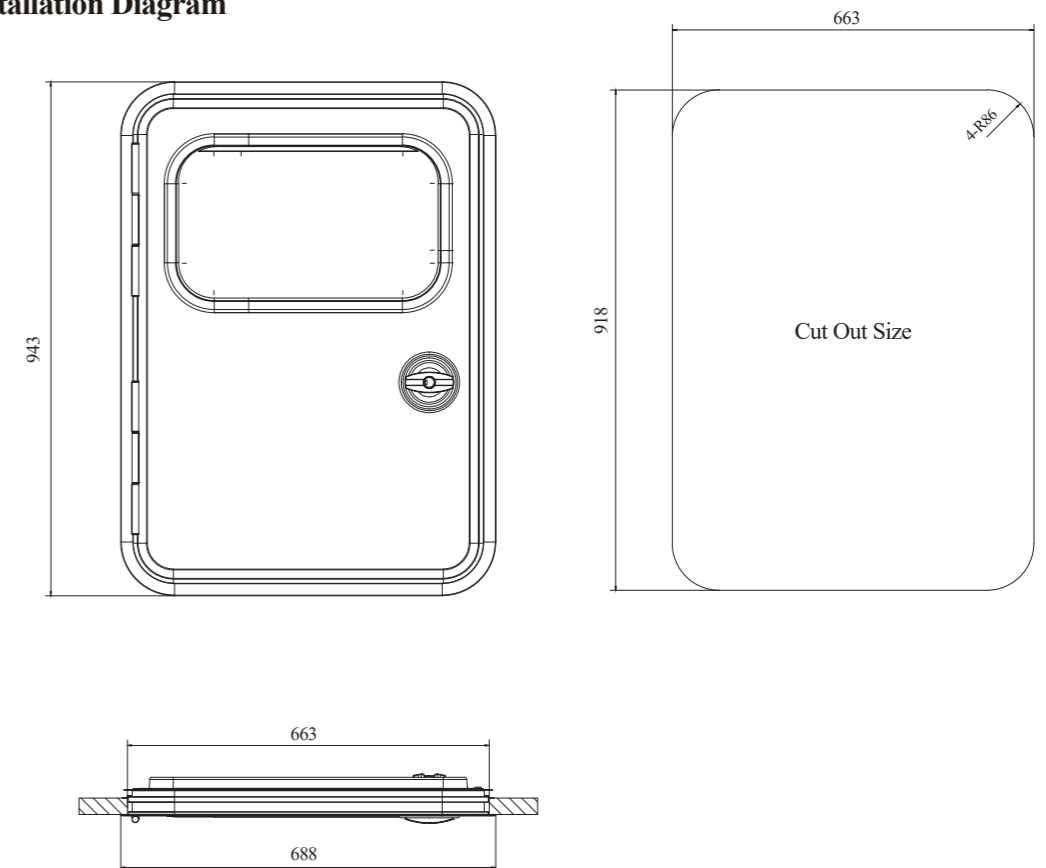
YA-SDM-02 Teardrop Door



Specifications

Cut out size (mm) W × H	Overall size (mm) (W+25) × (H+25)	Weight (kg)
663 × 918	688 × 943	14.80

Installation Diagram



Product Description

Frame	High-quality aluminum alloy, black, white, gray, can also be customized
Panel	Composed of aluminum alloy plate and ABS material interior panel
Window	Equipped with acrylic glass hinged window, UV resistant
Blind	With pleated blackout blind and insect screen
Lock	Special lock for RV
Certificate	E-Mark or DOT
Wall thickness	25-45mm

YA-CM-01 Hatch Door



Product Description

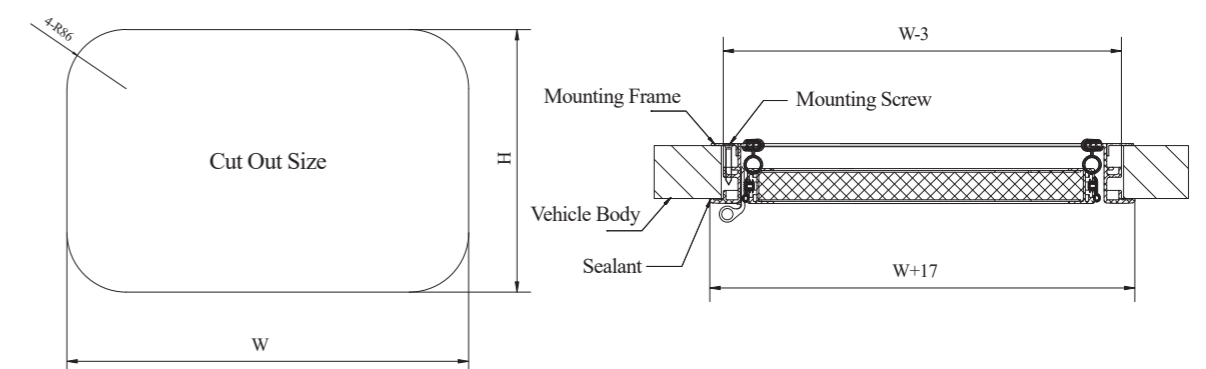
Frame	High quality aluminum alloy, black, white, gray, can also be customized
Panel	Aluminum alloy, black, white, gray, can also be customized
Support types	Stainless steel support rod or gas spring
Lock	Self-tight mechanical lock
Optional	Large size hatch door can be equipped with gas spring to make it easier and faster to open
Wall thickness	23-41mm, installation with mounting frame
4R	R86mm

Specifications

Gas spring				
Cut out size (mm) W×H	Product size (mm) (W-3)×(H-3)	Overall size (mm) (W+17)×(H+17)	Opening angle	Weight (kg)
720 × 600	717 × 597	737 × 617	90°-125°	6.10
760 × 550	757 × 547	777 × 567	90°	5.90
950 × 750	947 × 747	967 × 767	90°-135°	7.80
1000 × 600	997 × 597	1017 × 617	90°-135°	8.40
1000 × 800	997 × 797	1017 × 817	90°-135°	11.20
1200 × 1750	1197 × 1747	1217 × 1767	90°-135°	29.40

Stainless steel				
Cut out size (mm) W×H	Product size (mm) (W-3)×(H-3)	Overall size (mm) (W+17)×(H+17)	Opening angle	Weight (kg)
400 × 500	397 × 497	417 × 517	90°	3.90
550 × 500	547 × 497	567 × 517	90°	4.60
610 × 400	607 × 397	627 × 417	90°	4.20
620 × 620	617 × 617	637 × 637	90°	5.50

Installation Diagram



YA-CM-02 Hatch Door



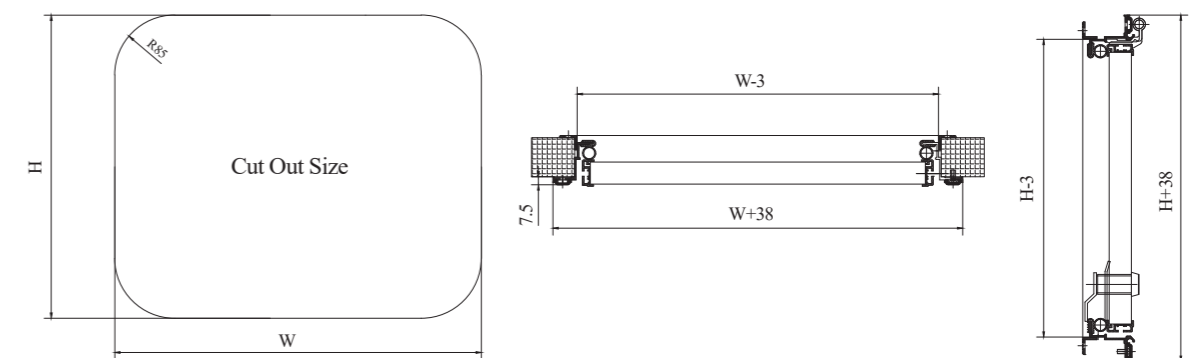
Specifications

Cut Out size (mm) W×H	Product size (mm) (W-3)×(H-3)	Overall size (mm) (W+38)×(H+38)	Weight (kg)
400 × 550	397 × 547	438 × 588	3.24
445 × 305	442 × 302	483 × 343	2.34
450 × 500	447 × 490	488 × 538	3.20
450 × 900	447 × 897	488 × 938	5.14
455 × 305	452 × 302	493 × 343	2.37
460 × 310	457 × 307	498 × 348	2.42
500 × 500	497 × 497	538 × 538	3.51
540 × 305	537 × 302	578 × 343	2.70
550 × 400	547 × 397	588 × 438	3.24
600 × 500	597 × 497	638 × 538	4.01
620 × 420	617 × 417	658 × 458	3.66
650 × 480	647 × 477	688 × 518	4.14
700 × 290	697 × 287	738 × 328	3.10
700 × 296	697 × 293	738 × 334	3.20
700 × 560	697 × 557	738 × 598	4.87
800 × 400	797 × 397	838 × 438	4.34
958 × 293	917 × 252	958 × 293	3.80
1000 × 440	997 × 437	1038 × 478	5.50
1100 × 700	1097 × 697	1138 × 738	8.15
1200 × 530	1197 × 527	1238 × 568	7.25

Product Description

Frame & hinge	High quality aluminum alloy material, black, white, gray, or customized
Panel	High-strength aluminum alloy profile, black, white, gray, or customized
Lock	Self-tight mechanical lock or key lock
Characters	External installation with screws
Wall thickness	35-45mm
4R	R85mm

Installation Diagram



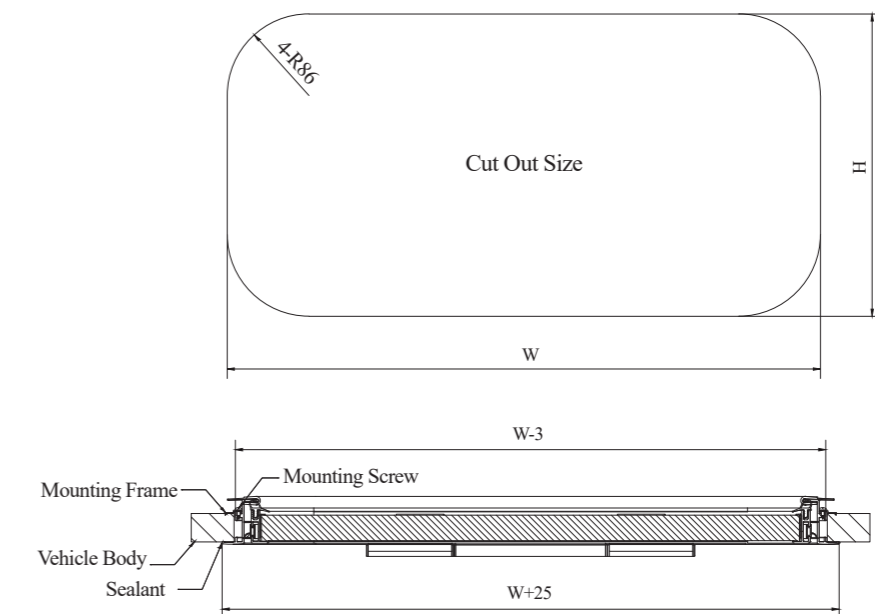
YA-CM-03 Hatch Door



Specifications

Cut out size (mm) W×H	Product size (mm) (W-3)×(H-3)	Overall size (mm) (W+25)×(H+25)	Weight (kg)
339 × 289	336 × 386	364 × 314	1.90
392 × 342	389 × 339	417 × 367	2.60
571 × 533	568 × 530	596 × 558	6.10
593 × 288	590 × 285	618 × 313	3.40
600 × 660	597 × 657	625 × 685	7.70
621 × 355	618 × 352	646 × 380	4.30
625 × 357	622 × 354	650 × 382	4.40
750 × 1000	747 × 997	775 × 1025	13.80
800 × 500	797 × 497	825 × 525	7.60
890 × 355	887 × 352	915 × 380	6.10
940 × 455	937 × 452	965 × 480	8.10
1162 × 622	1159 × 619	1187 × 647	13.70
1162 × 1002	1159 × 999	1187 × 1027	21.90
1400 × 1000	1397 × 997	1425 × 1025	26.40
1524 × 1277	1521 × 1274	1549 × 1302	36.50
1700 × 1050	1697 × 1047	1725 × 1075	33.60

Installation Diagram



Product Description

Frame & hinge	High quality aluminum alloy material, black, white, gray, or customized
Panel	High-strength aluminum alloy profile, black, white, gray, or customized
Lock	Self-tight mechanical lock
Advantage	The frame can be supplied separately, panels can be made with the section, which is cut from the vehicle body, the suitable panel thickness is 24-30mm
Wall thickness	30-45mm
4R	R86mm

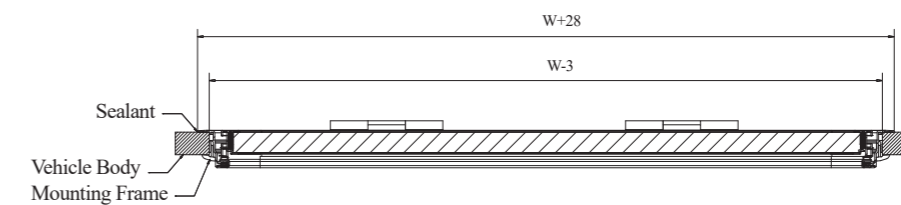
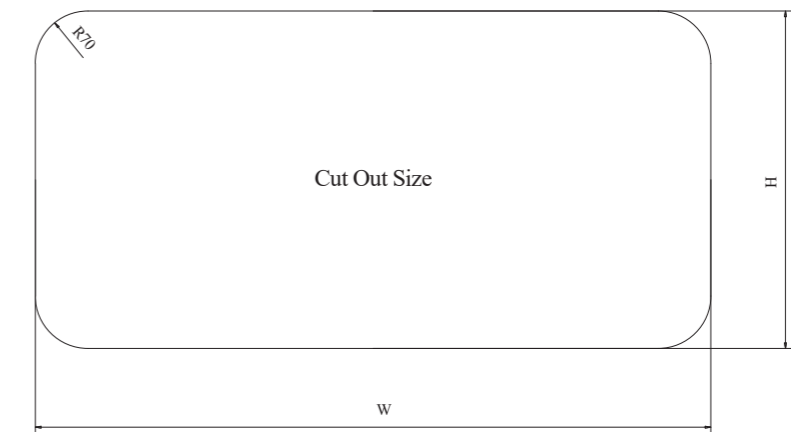
YA-CM-08 Hatch Door



Specifications

Cut Out Size (mm) W×H	Product Size (mm) (W-3)×(H-3)	Overall Size (mm) (W+28)×(H+28)	Weight (kg)
500 × 400	497 × 397	528 × 428	3.90
900 × 450	897 × 447	928 × 478	8.50
900 × 900	897 × 897	928 × 928	13.70
1400 × 1000	1397 × 997	1428 × 1028	26.40

Installation Diagram



Product Description

Frame & hinge	High quality aluminum alloy material, black, white, gray, or customized
Panel	High-strength aluminum alloy profile, black, white, gray, or customized
Lock	Self-tight mechanical lock or flat self-tight mechanical lock
Advantage	The frame can be supplied separately, panels can be made with the section, install by pasting, the suitable panel thickness is 27-35mm
Wall thickness	27-35mm
4R	R70mm

YA-CK-01 Picnic Table (Rectangle)



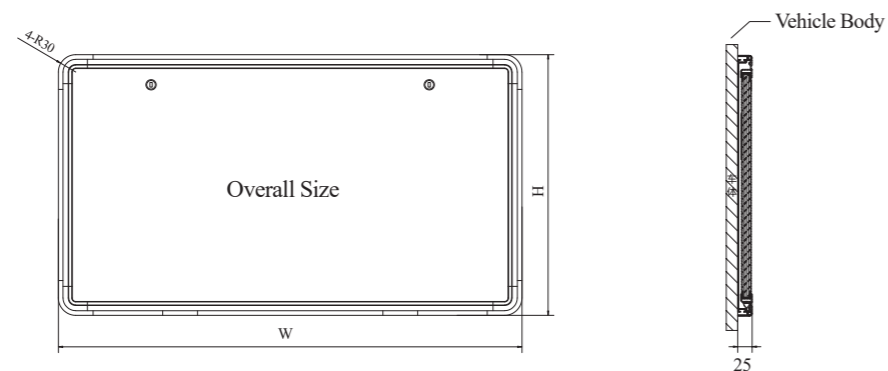
Product Description

Frame & panel	High quality aluminum alloy material
Color	Black, white, gray, can also be customized
Lock	Key lock
Appearance	Design with two cup holders, beautiful and practical
Loading capacity	Max. 30kg
Optional accessories	LED lights (order separately)

Specifications

Overall size (mm) W×H	Weight (kg)
800 × 450	4.52
900 × 445	5.09

Installation Diagram



YA-CZ-02 Picnic Table (Round Corner)



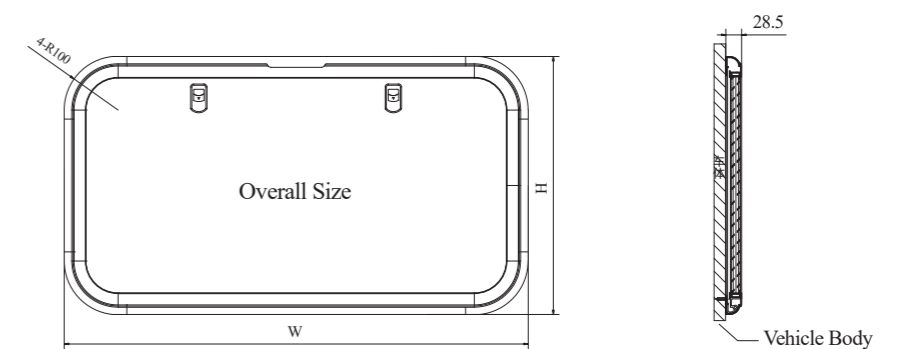
Product Description

Frame & panel	High quality aluminum alloy material
Color	Black, white, gray, can also be customized
Lock	Key lock
Appearance	Design with two cup holders, beautiful and practical
Loading capacity	Max. 30kg
Optional accessories	LED lights (order separately)

Specifications

Overall size (mm) W×H	Weight (kg)
500 × 420	3.15
800 × 445	4.67

Installation Diagram



YA-CZ-03 Picnic Table (Keyless Lock)



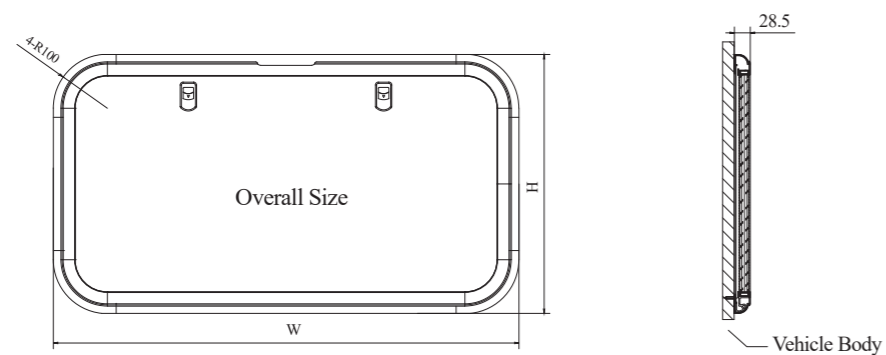
Product Description

Frame & panel	High quality aluminum alloy material
Color	Black, white, gray, can also be customized
Lock	Keyless flat lock, black or silver
Appearance	Design with two cup holders, beautiful and practical
Loading capacity	Max. 30kg
Optional accessories	LED lights (order separately)
Feature	Equipped with keyless flat lock, can be opened by pressing the lock, and closed by pushing it back

Specifications

Overall size (mm) W×H	Weight (kg)
500 × 420	3.15
800 × 445	4.67

Installation Diagram



YA-STB-01 Manual Double Step



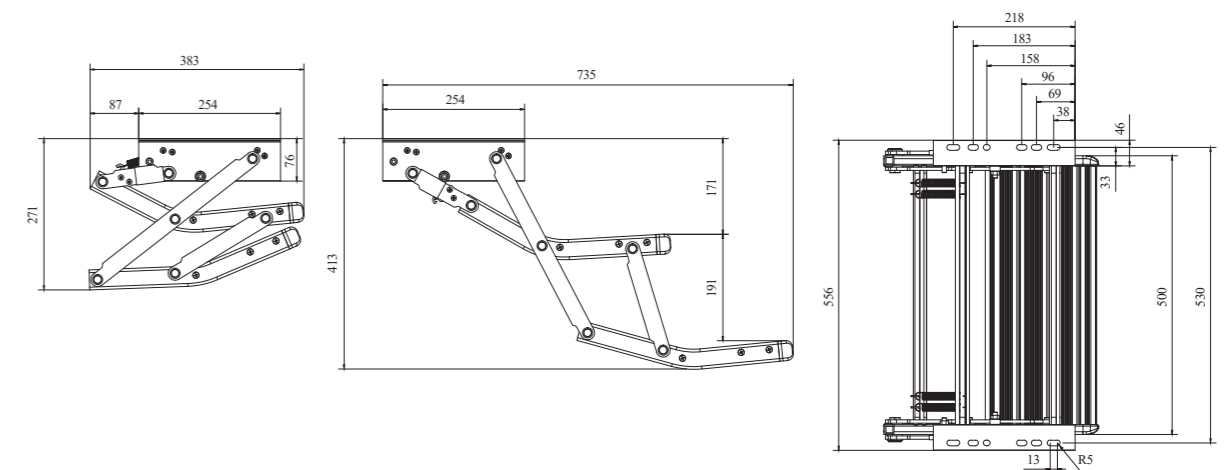
Product Description

Panel	High-strength non-slip panel, with non-slip rubber strips, better anti-slip performance and safe to use
Support	Aluminum alloy and electrophoresis steel plate, high strength and lightweight
Color	Silver gray or black
Optional accessories	White or blue LED lights
Loading capacity	200kg
Size	The width can be customized

Specifications

Product number	Panel width (mm)	Overall width (mm)	Weight (kg)
YA-STB-01-380	380	436	6.35
YA-STB-01-446	446	502	6.65
YA-STB-01-502	502	558	6.90

Installation Diagram



YA-DTB-02 Electric Single Step



Product Description

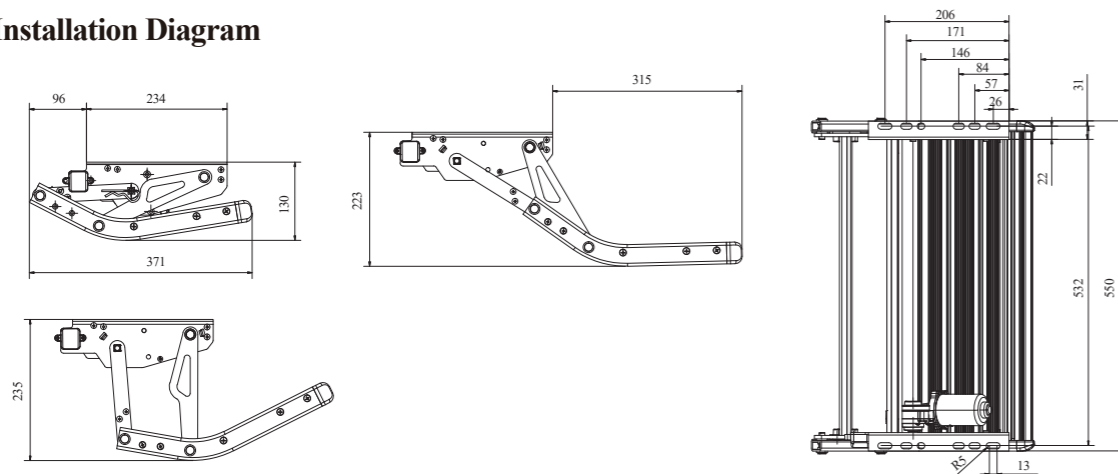
Main body	High strength alumina
Support	Electrophoretic steel plate, high strength and not easy to corrode
Color	Silver gray or black
Optional accessories	LED lights to optimize lighting; Wireless remote control, no drilling and wiring required
Loading capacity	200kg
Warning switch	It is equipped with a switch connected to the vehicle alarm light to prevent the step from sticking out while driving
Standard	The mechanical strength and anti-skid performance of the step comply with the European DIN EN 1646-1:2018-04 standard
Certificate	CE
Size	The width can be customized

Attention:When the step is not fully opened, stepping on the pedal will damage the motor and gear!

Specifications

Product number	Panel width (mm)	Overall width (mm)	Weight (kg)
YA-DTB-02-550	550	550	5.70

Installation Diagram



YA-STB-02 Electric Double Step



Product Description

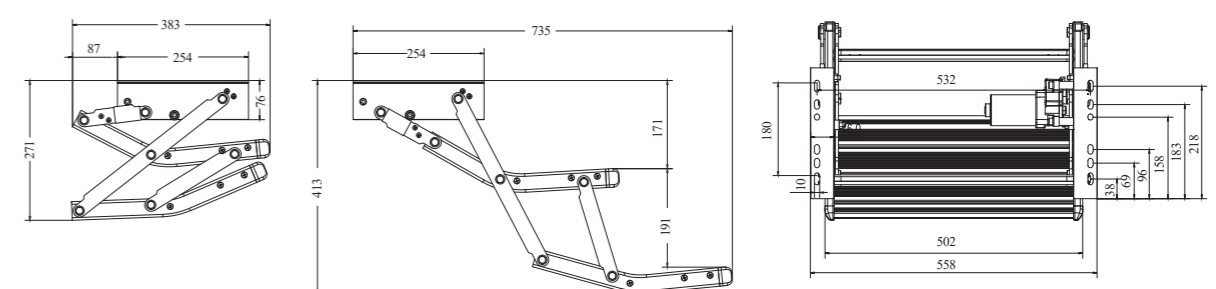
Main body	High strength alumina
Support	Electrophoretic steel plate, high strength and not easy to corrode
Color	Silver gray or black
Optional accessories	LED lights to optimize lighting; Wireless remote control, no drilling and wiring required
Loading capacity	200kg
Warning switch	It is equipped with a switch connected to the vehicle alarm light to prevent the step from sticking out while driving
Standard	The mechanical strength and anti-skid performance of the step comply with the European DIN EN 1646-1:2018-04 standard
Certificate	CE
Size	The width can be customized

Attention:When the step is not fully opened, stepping on the pedal will damage the motor and gear!

Specifications

Product number	Panel width (mm)	Overall width (mm)	Weight (kg)
YA-STB-02-502	502	558	8.50

Installation Diagram



YA-DTB-03 Electric Slide Out Step



Product Description

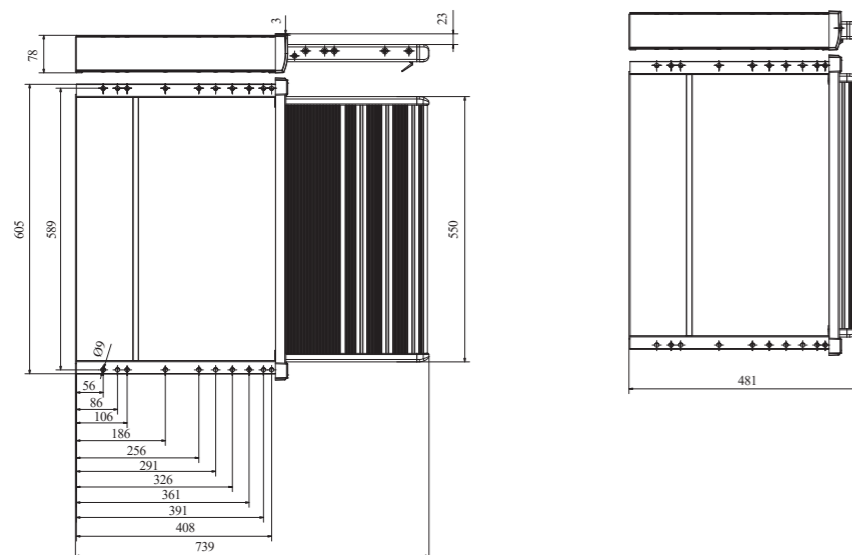
Main body	High strength alumina
Support	Electrophoretic steel plate, high strength and not easy to corrode
Color	Silver gray or black
Optional accessories	LED lights to optimize lighting; Wireless remote control, no drilling and wiring required
Loading capacity	200kg
Warning switch	It is equipped with a switch connected to the vehicle alarm light to prevent the step from sticking out while driving
Standard	The mechanical strength and anti-skid performance of the step comply with the European DIN EN 1646-1:2018-04 standard
Certificate	CE
Size	The width can be customized

Attention:When the step is not fully opened, stepping on the pedal will damage the motor and gear!

Specifications

Product number	Panel width (mm)	Overall width (mm)	Weight (kg)
YA-DTB-03-550	550	627	5.90

Installation Diagram



YA-DTB-04 Manual Single Step



Product Description

Panel	High-strength non-slip panel, with non-slip rubber strips, better anti-slip performance and safe to use
Support	Aluminum alloy and electrophoresis steel plate, high strength and lightweight
Color	Silver gray or black
Loading capacity	200kg
Optional accessories	White or blue LED lights
Size	The width can be customized

Specifications

Model number	Panel width (mm)	Overall width (mm)	Weight (kg)
YA-DTB-04-468	468	468	3.70
YA-DTB-04-550	550	550	3.90

Installation Diagram

