



TECHNICAL BULLETIN

Kämmer® Series CleanFlow™ - 191300 Aseptic and Sanitary Valves

FCD KMENTB9135-00 09/16



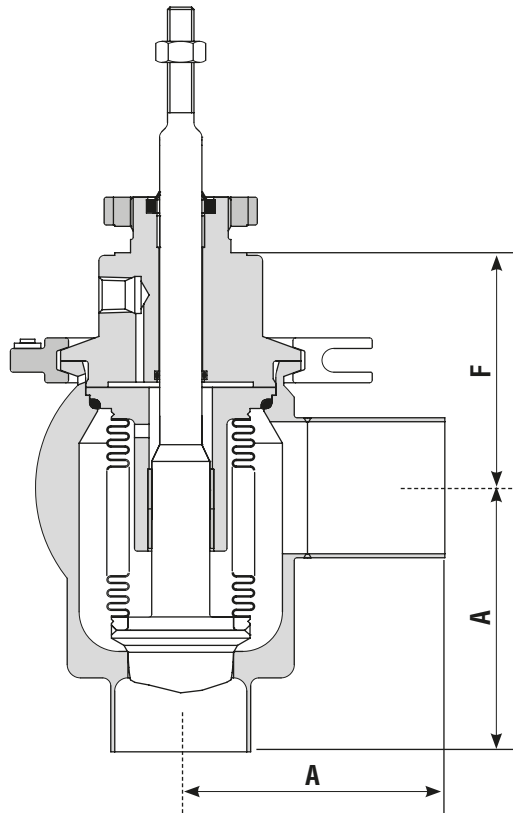
Experience In Motion

						10	15	20	25	32	40	50	65	80	100		
						3/8"	1/2"	3/4"	1"	1 1/4"	1 1/2"	2"	2 1/2"	3"	4"		
K_{vs} / C_v values																	
	Kvs	Trim#	Cv	Trim#	Seat dia. [mm/in]												
	0.011	3H	0.013	.12H	3 / 0.12	x	x										
	0.017	3G	0.02	.12G	3 / 0.12	x	x										
	0.025	3F	0.029	.12F	3 / 0.12	x	x										
	0.04	3E	0.047	.12E	3 / 0.12	x	x										
	0.063	3D	0.074	.12D	3 / 0.12	x	x										
	0.1	3C	0.12	.12C	3 / 0.12	x	x	x									
	0.16	3B	0.19	.12B	3 / 0.12	x	x	x									
	0.25	3A	0.29	.12A	3 / 0.12	x	x	x									
	0.4	4.5B	0.47	.18B	4,5 / 0.18	x	x	x									
	0.63	4.5A	0.74	.18A	4,5 / 0.18	x	x	x									
	1	7B	1.2	.28B	7 / 0.28	x	x	x									
	1.6	7A	1.9	.28A	7 / 0.28	x	x	x									
	2.5	10	2.9	.40	10 / 0.40		x	x									
	4	12	4.7	.48	12 / 0.48		x	x	x								
	6.3	16	7.4	.63	16 / 0.63			x	x	x							
	10	20	12	.80	20 / 0.80				x	x	x						
	16	25	19	1.00	25 / 1.00					x	x	x					
	25	32	29	1.25	32 / 1.25						x	x	x				
	40	40	47	1.40	40 / 1.40							x	x	x			
	63	50	74	2.00	50 / 2.00								x	x	x		
	100	63	120	2.50	63 / 2.50									x	x		
	160	80	190	3.20	80 / 3.20										x		
Stroke																	
mm / in						10 / 0.394			20 / 0.787			25 / 1.00					
Pressure Classes																	
PN 16												x					
End Connection Type																	
DIN 11850 Reihe 2 (DN10 - 100) weld ends												x					
DIN 11851 threaded connections												x					
APV Flanges						x	-	x	-	x	x	x	x	x	x	x	
DIN 32676 clamped												x					
ISO 2852 clamped						-						x					
Others on request												x					
Bonnet Type																	
Bellows												x					
Surface Finish																	
Ra 0.6µm												x					
Ra 0.5µm												x					
Ra 0.4µm electropolish												x					
Cleaning																	
CIP (Cleaning In Place)												x					
SIP (Sterilization In Place)												x					
Temperature Range																	
-10 °C to +150 °C / 14 °F to 302 °F												x					
Plug Characteristic																	
equal percentage												x					
linear												x					
On-Off												x					
Approvals																	
EHEDG												x					
FDA												x					
PED 97/23												x					
ATEX 94/9												x					

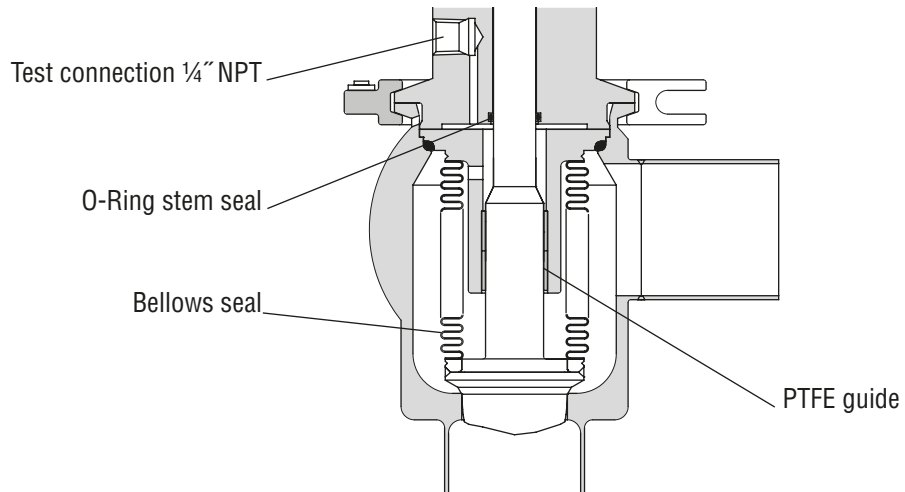
MATERIALS

Body Material	
1.4404 (316L)	x
Bellows Material	
1.4404	x
Plug Material	
1.4435 (316L)	x
Alloy 6	x
Packing	
Silicon O-Ring (FDA)	x
Body Gaskets	
Silicon O-Ring (FDA)	x

DIMENSIONS & WEIGHTS



	10 3/8"	15 1/2"	20 3/4"	25 1"	32 1 1/4"	40 1 1/2"	50 2"	65 2 1/2"	80 3"	100 4"
Dimension A										
DIN 11850 Reihe 2 (DN10 - 100) weld ends	80 / 3.15	80 / 3.15	80 / 3.15	80 / 3.15	80 / 3.15	100 / 3.94	100 / 3.94	100 / 3.94	120 / 4.72	120 / 4.72
DIN 11851 threaded connections	100 / 3.94	100 / 3.94	103 / 4.06	108 / 4.25	111 / 4.37	132 / 5.20	135 / 5.32	140 / 5.51	165 / 6.50	173 / 6.81
APV Flanges	93 / 3.66	-	-	104 / 4.09	-	124 / 4.88	124 / 4.88	124 / 4.88	144 / 5.67	144 / 5.67
Dimension F										
Bellows Bonnet	75 / 2.95	75 / 2.95	75 / 2.95	80 / 3.15	85 / 3.35	85 / 3.35	90 / 3.54	100 / 3.94	105 / 4.13	115 / 4.53





Europe, Middle East, Africa

Flowserve Essen GmbH
Schederhofstr. 71
45145 Essen
Germany
Phone: +49 201 8919 5
Fax: +49 201 8919 662

Americas

Flowserve Flow Control
Quick Response Center
4001 Flowserve Way Suite 300
USA
Pasadena, TX 77503
Phone: +1 713 286 3100

Asia Pacific

Flowserve Pte. Ltd.
12 Tuas Avenue 20
Republic of Singapore 638824
Phone: +65 6879 8900
Fax: +65 6862 4940

Your contact:

A large, empty rectangular box with a dashed border, intended for a contact name.

All data subject to change without notice
©09.2016 Flowserve Corporation. Flowserve and Kämmer are registered trademarks of Flowserve Corporation