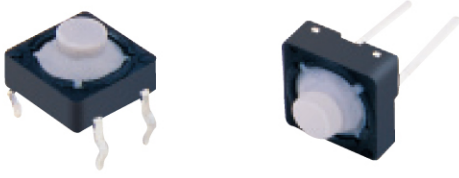


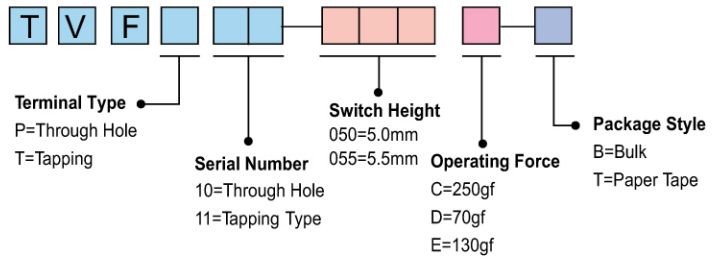
# F SERIES

## 7.8x7.8 Long Travel Tact Switch

TACT SWITCH



### HOW TO ORDER



### ◆ FEATURES

- 7.8x7.8mm for high density mounting
- Radial tapping type
- Silicone button with soft touch feeling
- Automatically dipped into pcb by machine
- Horizontal push type

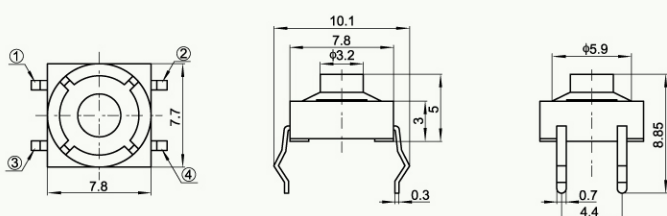
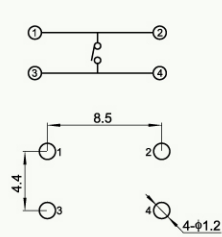
### ◆ APPLICATIONS

- Visual
- Audio
- Pro audio

### ◆ SPECIFICATION

Items		Standard
Operating temperature range		-30℃ to +85℃
Electrical performance	Rating	50mA. 12V DC
	Insulation resistance	100MΩ min. 100V DC
	Dielectric strength	250V AC for 1 min.
	Contact resistance	100mΩ max.
Durability	Lifetime	D:E:C=100,000Cycles
Mechanical performance	Operating force	D:70gf E:130gf C:250gf
	Travel	1.20 ± 0.2mm

### ◆ DIAGRAM

No.	Dimensions	Circuit Diagram
		PCB Layout
1	<p>● TVFP10</p> 	
2	<p>● TVFT11</p> 