



HOW TO ORDER

S **12** **01** **R**

Slide Switch
Termination Type
 M:S.M.T
 D:snap-in
Operating Direction
 H:Horizontal
 V:Vertical
Circuit
 1:1 pole 2:2 throw
Travel, see the table
No.
Package Style
 □=Bulk
 R=Reel (only for S.M.T)

| Travel Table | | | | | |
|--------------|-----|-----|-----|-----|-----|
| C | D | E | F | G | H |
| 1.5 | 2.0 | 2.5 | 3.0 | 3.5 | 4.0 |

◆ Features

- Through hole & SPDT type
- Low profile of 1.5mm height
- Reflow solderable
- RoHS compliant

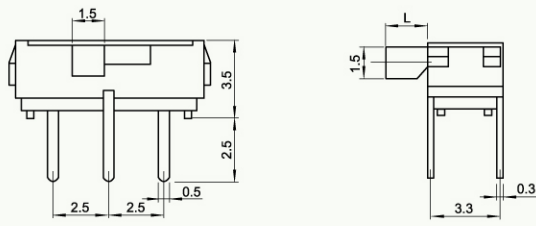
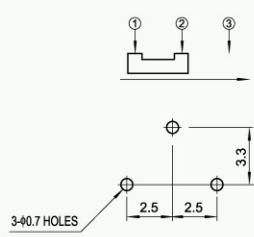
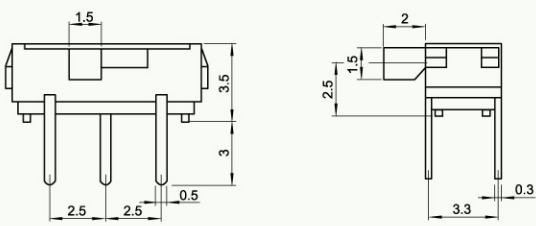
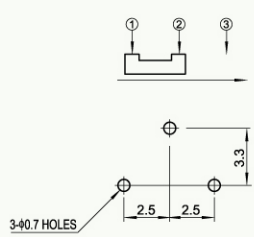
◆ Applications

- Mobile stereo
- LCD TV
- Camcorder

◆ SPECIFICATION

| Items | | Standard |
|-----------------------------|-----------------------|--------------------|
| Operating temperature range | | -10℃ to +70℃ |
| Electrical performance | Rating | 300mA. 4V DC |
| | Insulation resistance | 100MΩ min. 100V DC |
| | Dielectric strength | 250V AC for 1 min. |
| | Contact resistance | 70mΩ max. |
| Durability | Lifetime | 10,000 Cycles min |
| Mechanical performance | Operating force | 2C-2P:180 ± 50gf |
| | Travel | 1.5 ± 0.2mm |

◆ DIAGRAM

| No. | Dimensions | Circuit Diagram PCB Layout |
|-----|--|---|
| | | |
| 1 | ● SHD-12C06  |  |
| 2 | ● SHD-12C07  |  |