



HOW TO ORDER

S **1** **2** **0** **1** **R**

Slide Switch
Termination Type
 M: S.M.T
 D: snap-in
Operating Direction
 H: Horizontal
 V: Vertical
Circuit
 1: 1 pole 2: 2 throw

Travel, see the table
No.
Package Style
 □ = Bulk
 R = Reel (only for S.M.T)

Travel Table					
C	D	E	F	G	H
1.5	2.0	2.5	3.0	3.5	4.0

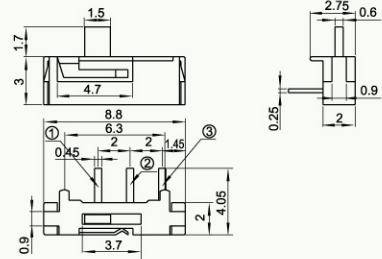
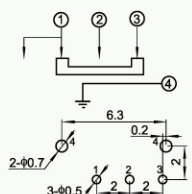
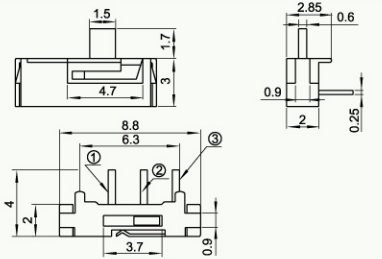
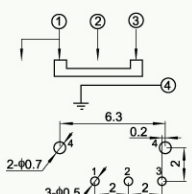
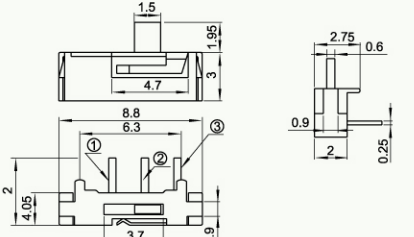
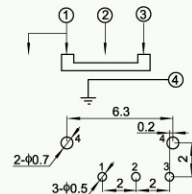
◆ Features

- Through hole type
- Low profile of 1.5mm height
- On-Momentary & on-on type
- Reflow solderable
- RoHS compliant

◆ SPECIFICATION

Items		Standard
Operating temperature range		-10℃ to +70℃
Electrical performance	Rating	30mA. 4V DC
	Insulation resistance	100MΩ min. 100V DC
	Dielectric strength	250V AC for 1 min.
	Contact resistance	70mΩ max.
Durability	Lifetime	10,000 Cycles min
Mechanical performance	Operating force	2C-2P: 180 ± 50gf
	Travel	1.5 ± 0.2mm

◆ DIAGRAM

No.	Dimensions	Circuit Diagram
		PCB Layout
1		
2		
3		

SLIDE SERIES