

BRUSHLESS DC PLANETARY GEAR MOTOR DM-36RPBL3625

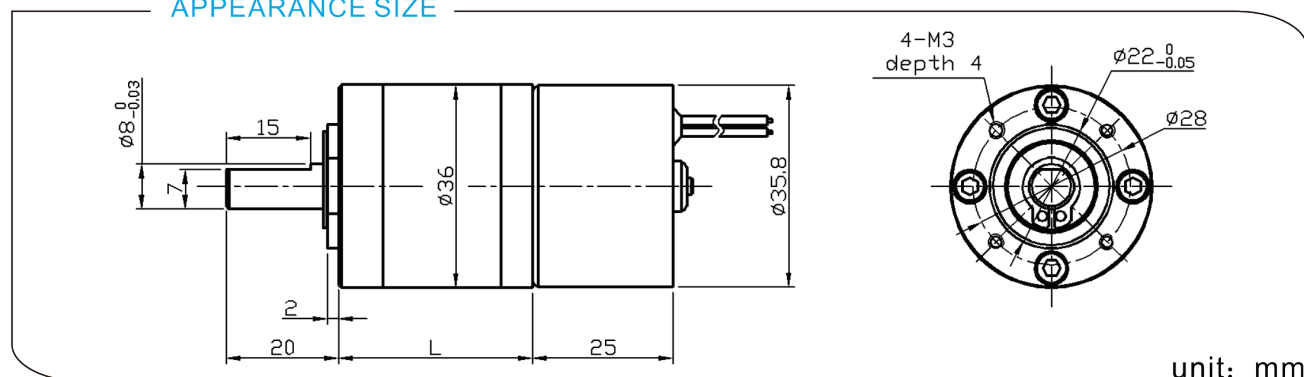
典型应用/Typical applications :

自动快锁门、装订机、自动电视架、点钞机、聚光灯、卫生纸机、
办公设备、家用电器、自动执行机构

Auto shutter, binding machine, automatic TV rack, money counter, spotlight, tissue machine, office equipments, household appliances, automatic actuator



APPEARANCE SIZE



齿轮箱参数/Gearbox Data:

级数 Number of stages	1	2	3	4	5
减数比 Reduction Ratio i	3.7、5.2	16、19、27	51、71、100 139	189、264、369 515、721	977、1367、1910
齿轮箱长度 Gearbox Length L (mm)	26.5	34.7	42.9	51.1	59.3
破坏扭力 Breaking Torque(kgf.cm)	10	18	40	50	60
齿轮箱效率 Gearbox Efficiency η	90%	81%	73%	65%	59%

电机参数/Driving Motor Data:

DC Motor Model	Rated	No Load		Max Efficiency Load			Stall		
	电压	电流	转速	电流	转速 (nm)	扭矩 (tm)	功率	扭矩	电流
	Volt.	Current	Speed	Current	Speed	Torque	P.out	Torque	Current
	V	mA	r/min	mA	r/min	gf.cm	W	gf.cm	mA
DM-BL3625-012-3000	12	≤120	3000	≤360	2400	45	1.1	≥180	≥800
DM-BL3625-012-4500	12	≤260	4500	≤760	3300	65	2.2	≥260	≥1200
DM-BL3625-012-6000	12	≤345	6000	≤1000	4500	80	3.7	≥320	≥1600
DM-BL3625-024-3000	24	≤95	3000	≤255	2400	45	1.1	≥180	≥400
DM-BL3625-024-4500	24	≤140	4500	≤390	3300	65	2.2	≥260	≥600

减数电机参数/Geared Motor Data :

Gear Motor Model	额定电压 Rated voltage	No load		Max Efficiency Load			Stall		
		电流	转速	电流	转速 (n)	扭矩 (t)	功率	扭矩	电流
		Current	Speed	Current	Speed	Torque	P.out	Torque	Current
		V	A	r/min	A	r/min	kgf.cm	W	kgf.cm
DM-36RPBL3625-0094000-189K	9	0.1	20.5	0.45	16.2	8.37	1.4	40.4	1.8
DM-36RPBL3625-0243800-14K	24	0.06	247.3	0.17	185.4	0.84	1.59	3.3	0.5
DM-36RPBL3625-0246000-5.2K	24	0.1	1068.9	0.36	815.4	0.56	4.72	2.3	1.22

电机参数仅供参考, 请以实际样板为准; 可以依据客户要求定制参数。

The motor parameters are for reference only, please refer to real measured data;

We can customize parameters according to customer requirements.

减数电机输出转速=直流电机输出转速/齿轮箱减数比; 减数电机输出扭矩=直流电机输出扭矩*齿轮箱减数比*齿轮箱传动效率。

Gear Motor Output Speed=DC Motor Speed/Gear Ratio (n=n_m/i)

Gear Motor Output Torque=DC Motor Torque*Gear Ratio*Gearbox Efficiency. (t=t_m*i*η)