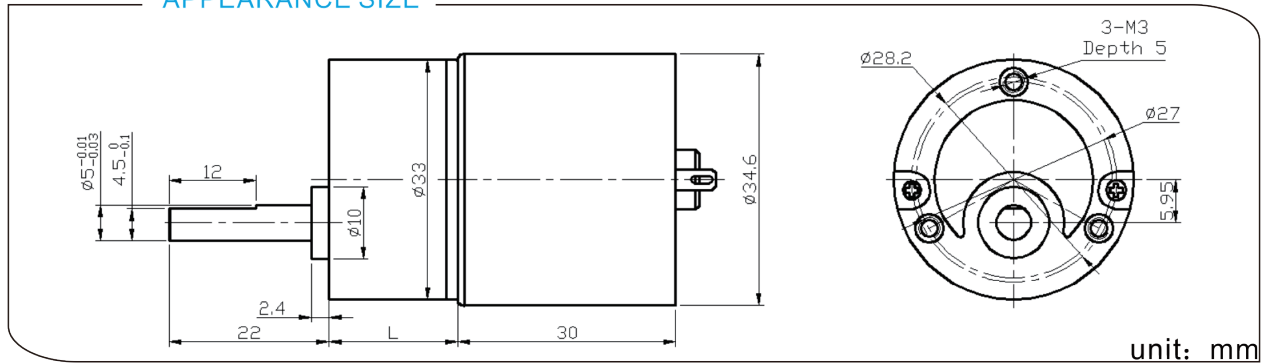


# DC SPUR GEAR MOTOR DM-33RS3530

典型应用/Typical applications :  
 自动快锁门、装订机、自动电视架、点钞机、聚光灯、卫生纸机、  
 办公设备、家用电器、自动执行机构  
 Auto shutter, binding machine, automatic TV rack, money counter,  
 spotlight, tissue machine, office equipments, household appliances,  
 automatic actuator



## APPEARANCE SIZE



### 齿轮箱参数/Gearbox Data:

级数 Number of stages	3	4	5	6	7
减数比 Reduction Ratio i	20	50	125	312.5	781
齿轮箱长度 Gearbox Length L (mm)	17.7	19.9	22.2	24.4	26.75
破坏扭力 Breaking Torque(kgf.cm)	10	15	20	24	24
齿轮箱效率 Gearbox Efficiency $\eta$	73%	65%	59%	53%	48%

### 电机参数/Driving Motor Data:

DC Motor Model	Rated	No Load		Max Efficiency Load			Stall		
	电压	电流	转速	电流	转速 (nm)	扭矩 (tm)	功率	扭矩	电流
	Volt.	Current	Speed	Current	Speed	Torque	P.out	Torque	Current
	V	mA	r/min	mA	r/min	gf.cm	W	gf.cm	mA
DM-3530-012-3000	12	≤40	3000	≤240	2200	40	0.9	≥160	≥700
DM-3530-012-4500	12	≤60	4500	≤450	3300	50	1.7	≥300	≥1400
DM-3530-012-6000	12	≤90	6000	≤700	4500	60	2.8	≥350	≥2000
DM-3530-024-3000	24	≤20	3000	≤150	2200	40	0.9	≥160	≥400
DM-3530-024-4500	24	≤30	4500	≤230	3300	50	1.7	≥220	≥600

### 减数电机参数/Geared Motor Data :

Gear Motor Model	额定电压 Rated voltage	No load		Max Efficiency Load			Stall		
		电流	转速	电流	转速 (nm)	扭矩 (tm)	功率	扭矩	电流
		Current	Speed	Current	Speed	Torque	P.out	Torque	Current
	V	A	r/min	A	r/min	kgf.cm	W	kgf.cm	A
DM-33RS3530-0067500-125K	6	0.22	54.2	1.22	45.6	5.8	2.72	36.6	6.51
DM-33RS3530-0124500-312.5K	12	0.03	14.6	0.14	12.4	5.0	0.66	34.9	0.81
DM-33RS3530-0126000-312.5K	12	0.07	19.1	0.43	19.1	9.9	1.65	67.1	2.54

电机参数仅供参考, 请以实际样板为准; 可以依据客户要求定制参数。

The motor parameters are for reference only, please refer to real measured data;

We can customize parameters according to customer requirements.

减数电机输出转速=直流电机输出转速/齿轮箱减数比; 减数电机输出扭矩=直流电机输出扭矩\*齿轮箱减数比\*齿轮箱传动效率。

Gear Motor Output Speed=DC Motor Speed/Gear Ratio ( $n=n_m/i$ )

Gear Motor Output Torque=DC Motor Torque\*Gear Ratio\*Gearbox Efficiency. ( $t=t_m*i*\eta$ )