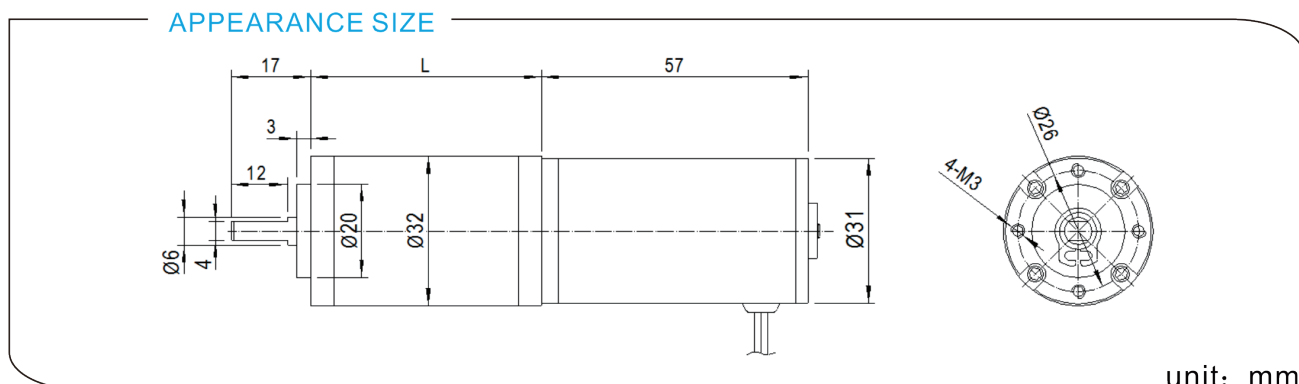


## DC PLANETARY GEAR MOTOR DM-32RP31ZY

典型应用/Typical applications :

自动快锁门、装订机、自动电视架、点钞机、聚光灯、卫生纸机、  
办公设备、家用电器、自动执行机构

Auto shutter, binding machine, automatic TV rack, money counter,  
spotlight, tissue machine, office equipments, household appliances,  
automatic actuator



### 齿轮箱参数/Gearbox Data:

级数 Number of stages	1	2	3	4
减数比 Reduction Ratio i	3.7、5.2	14、19、27	51、71、100、139	189、264、369 515、721
齿轮箱长度 Gearbox Length L (mm)	27.5	35.7	43.9	52.1
破坏扭力 Breaking Torque(kgf.cm)	6	10	20	40
齿轮箱效率 Gearbox Efficiency $\eta$	90%	81%	73%	65%

### 电机参数/Driving Motor Data:

DC Motor Model	Rated	No Load		Max Efficiency Load			Stall		
	电压	电流	转速	电流	转速 (nm)	扭矩 (tm)	功率	扭矩	电流
	Volt.	Current	Speed	Current	Speed	Torque	P.out	Torque	Current
	V	mA	r/min	mA	r/min	gf.cm	W	gf.cm	mA
DM-31ZY-012-3000	12	≤100	3000	≤400	2200	90	2.0	≥360	≥1600
DM-31ZY-012-4500	12	≤150	4500	≤700	3300	130	4.4	≥520	≥2700
DM-31ZY-012-6000	12	≤220	6000	≤1200	4500	180	8.3	≥720	≥5000
DM-31ZY-024-3000	24	≤60	3000	≤200	2200	90	2.0	≥360	≥800
DM-31ZY-024-4500	24	≤90	4500	≤350	3300	130	4.4	≥520	≥1300

### 减数电机参数/Geared Motor Data :

Gear Motor Model	额定电压 Rated voltage	No load		Max Efficiency Load			Stall		
		电流	转速	电流	转速 (n)	扭矩 (t)	功率	扭矩	电流
		Current	Speed	Current	Speed	Torque	P.out	Torque	Current
	V	A	r/min	A	r/min	kgf.cm	W	kgf.cm	A
DM-32RP31ZY-0126000-189K	12	0.50	31.7	1.32	22.9	15.42	3.62	60.1	2.86
DM-32RP31ZY-0247000-515K	24	0.23	13.6	0.82	11.1	44.31	5.03	233.5	2.52

电机参数仅供参考, 请以实际样板为准; 可以依据客户要求定制参数。

The motor parameters are for reference only, please refer to real measured data;

We can customize parameters according to customer requirements.

减数电机输出转速=直流电机输出转速/齿轮箱减数比; 减数电机输出扭矩=直流电机输出扭矩\*齿轮箱减数比\*齿轮箱传动效率。

Gear Motor Output Speed=DC Motor Speed/Gear Ratio ( $n=n_m/i$ )

Gear Motor Output Torque=DC Motor Torque\*Gear Ratio\*Gearbox Efficiency. ( $t=t_m*i*\eta$ )