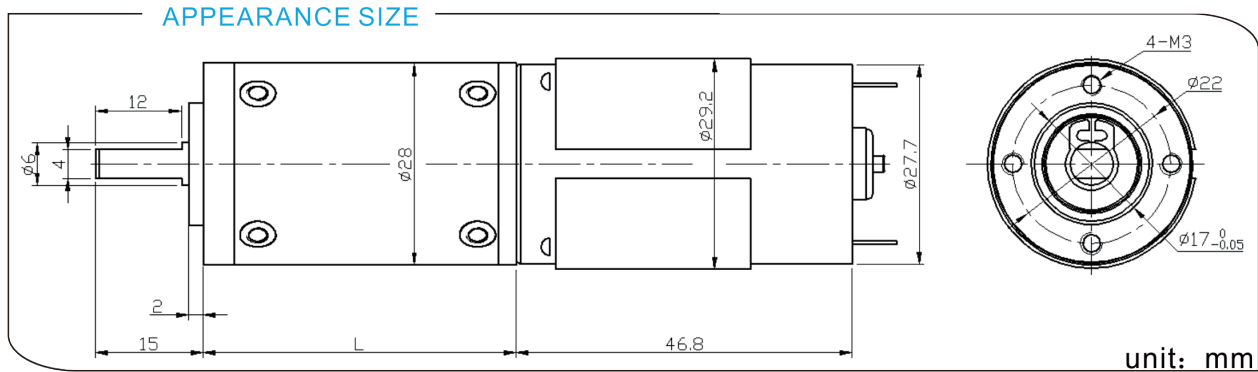


DC PLANETARY GEAR MOTOR DM-28RP395

典型应用/Typical applications :
自动快锁门、装订机、自动电视架、点钞机、聚光灯、卫生纸机、
办公设备、家用电器、自动执行机构
Auto shutter, binding machine, automatic TV rack, money counter,
spotlight, tissue machine, office equipments, household appliances,
automatic actuator



齿轮箱参数/Gearbox Data:

级数 Number of stages	1	2	3	4
减数比 Reduction Ratio i	3.7、5.2	14、19、27	51、71、100、139	189、264、369 515、721
齿轮箱长度 Gearbox Length L (mm)	27.5	35.7	43.9	52.1
破坏扭力 Breaking Torque(kgf.cm)	6	10	20	40
齿轮箱效率 Gearbox Efficiency η	90%	81%	73%	65%

电机参数/Driving Motor Data:

DC Motor Model	Rated	No Load			Max Efficiency Load			Stall	
	电压	电流	转速	电流	转速 (nm)	扭矩 (tm)	功率	扭矩	电流
	Volt.	Current	Speed	Current	Speed	Torque	P.out	Torque	Current
	V	mA	r/min	mA	r/min	gf.cm	W	gf.cm	mA
DM-395-012-3000	12	≤60	3000	≤250	2200	65	1.5	≥110	≥360
DM-395-012-4500	12	≤90	4500	≤430	3300	80	2.7	≥210	≥960
DM-395-012-6000	12	≤130	6000	≤750	4800	100	4.9	≥280	≥1600
DM-395-024-3000	24	≤40	3000	≤120	2200	65	1.5	≥110	≥160
DM-395-024-4500	24	≤60	4500	≤220	3300	80	2.7	≥180	≥380

减数电机参数/Geared Motor Data :

Gear Motor Model	额定电压 Rated voltage	No load		Max Efficiency Load				Stall	
		电流	转速	电流	转速 (n)	扭矩 (t)	功率	扭矩	电流
		Current	Speed	Current	Speed	Torque	P.out	Torque	Current
		V	A	r/min	A	r/min	kgf.cm	W	kgf.cm
DM-28RP395-0123000-139K	12	0.07	20.6	0.21	15.6	6.0	0.95	24.5	0.66
DM-28RP395-0124500-51K	12	0.15	88.3	0.5	67.0	3.03	2.08	12.5	1.58
DM-28RP395-0124500-100K	12	0.15	44.1	0.49	32.4	6.4	2.12	24.0	1.44
DM-28RP395-0244500-369K	24	0.09	12.2	0.34	9.2	21.09	1.99	76.5	0.72
DM-28RP395-0245200-71K	24	0.26	73.2	0.66	54.9	7.52	4.23	28.27	1.36

电机参数仅供参考, 请以实际样板为准; 可以依据客户要求定制参数。

The motor parameters are for reference only, please refer to real measured data;

We can customize parameters according to customer requirements.

减数电机输出转速=直流电机输出转速/齿轮箱减数比; 减数电机输出扭矩=直流电机输出扭矩*齿轮箱减数比*齿轮箱传动效率。

Gear Motor Output Speed=DC Motor Speed/Gear Ratio (n=n_m/i)

Gear Motor Output Torque=DC Motor Torque*Gear Ratio*Gearbox Efficiency. (t=t_m*i*η)