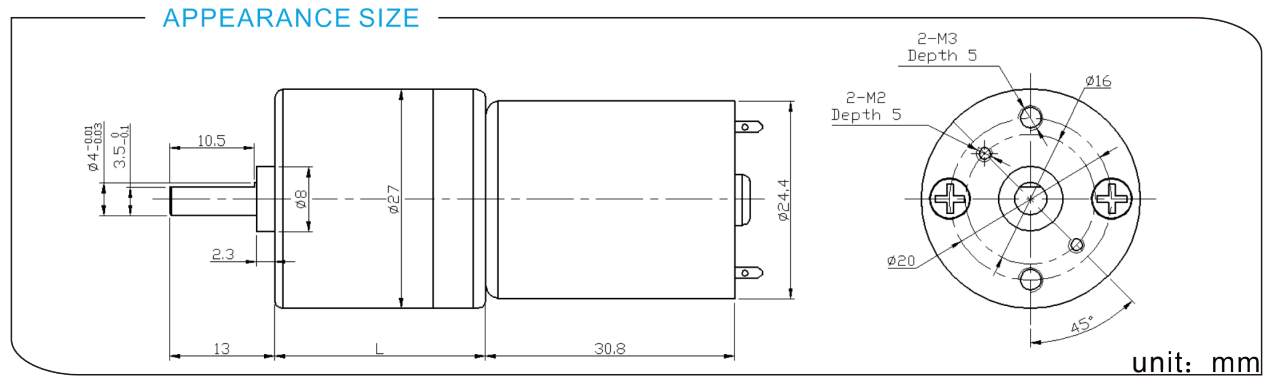


DC SPUR GEAR MOTOR DM-27RS370

典型应用/Typical applications :
自动快锁门、装订机、自动电视架、点钞机、聚光灯、卫生纸机、
办公设备、家用电器、自动执行机构
Auto shutter, binding machine, automatic TV rack, money counter,
spotlight, tissue machine, office equipments, household appliances,
automatic actuator



齿轮箱参数/Gearbox Data:

级数 Number of stages	4	5	6	7	8
减速比 Reduction Ratio i	19、27	36、52、76、94	100、145、210	278、403、584	772、1119、1621
齿轮箱长度 Gearbox Length L (mm)	18	20	22	24	26
破坏扭力 Breaking Torque(kgf.cm)	10	12	14	16	16
齿轮箱效率 Gearbox Efficiency η	65%	59%	53%	48%	43%

电机参数/Driving Motor Data:

DC Motor Model	Rated	No Load		Max Efficiency Load			Stall		
	电压	电流	转速	电流	转速 (nm)	扭矩 (tm)	功率	扭矩	扭矩
	Volt.	Current	Speed	Current	Speed	Torque	P.out	Torque	Current
	V	mA	r/min	mA	r/min	gf.cm	W	gf.cm	mA
DM-370-006-3000	6	≤40	3000	≤160	2500	15	0.4	≥68	≥520
DM-370-006-4500	6	≤56	4500	≤300	3300	25	0.8	≥115	≥860
DM-370-006-6000	6	≤80	6000	≤450	4500	35	1.6	≥165	≥1800
DM-370-012-3000	12	≤20	3000	≤80	2500	15	0.4	≥68	≥250
DM-370-012-4500	12	≤35	4500	≤150	4500	25	0.8	≥115	≥550

减数电机参数/Geared Motor Data :

Gear Motor Model	额定电压 Rated voltage	No load		Max Efficiency Load			Stall		
		电流	转速	电流	转速 (n)	扭矩 (t)	功率	扭矩	扭矩
		Current	Speed	Current	Speed	Torque	P.out	Torque	Current
	V	A	r/min	A	r/min	kgf.cm	W	kgf.cm	A
DM-27RS370-0066000-19K	6	0.10	302.5	0.46	248.1	0.45	1.14	2.48	2.1
DM-27RS370-0124500-27K	12	0.03	141.7	0.14	112.9	0.52	0.61	2.57	0.57
DM-27RS370-0124800-402K	12	0.03	11.0	0.14	8.8	3.56	0.32	18.32	0.56
DM-27RS370-0125500-278K	12	0.06	19.4	0.27	15.8	5.23	0.85	28.48	1.25
DM-27RS370-0126000-210K	12	0.04	27.9	0.17	22.4	2.6	0.6	13.25	0.69

电机参数仅供参考, 请以实际样板为准; 可以依据客户要求定制参数。

The motor parameters are for reference only, please refer to real measured data;

We can customize parameters according to customer requirements.

减数电机输出转速=直流电机输出转速/齿轮箱减数比; 减数电机输出扭矩=直流电机输出扭矩*齿轮箱减数比*齿轮箱传动效率。

Gear Motor Output Speed=DC Motor Speed/Gear Ratio (n=n_m/i)

Gear Motor Output Torque=DC Motor Torque*Gear Ratio*Gearbox Efficiency. (t=t_m*i*η)