

TOPCon 182 Solar Module

Durability Against Extreme Environmental Conditions

High salt mist and ammonia resistance certified by TUV NORD.



PID Resistance

Excellent Anti-PID performance guarantee limited power degradation for mass production.(Potential Induced Degradation) under the test conditions.



High Efficiency

Higher module conversion efficiency benefit from half cell structure(low resistance characteristic).



Low-light Performance

Advanced glass and cell surface textured design ensure excellent performance in low-light environment.



Severe Weather Resilience

Certified to withstand:Wind load(2400 pascal) and snow load(5400 pascal).



12-year Warranty for Materials and Processing



30-year Warranty for Extra Linear Power Output

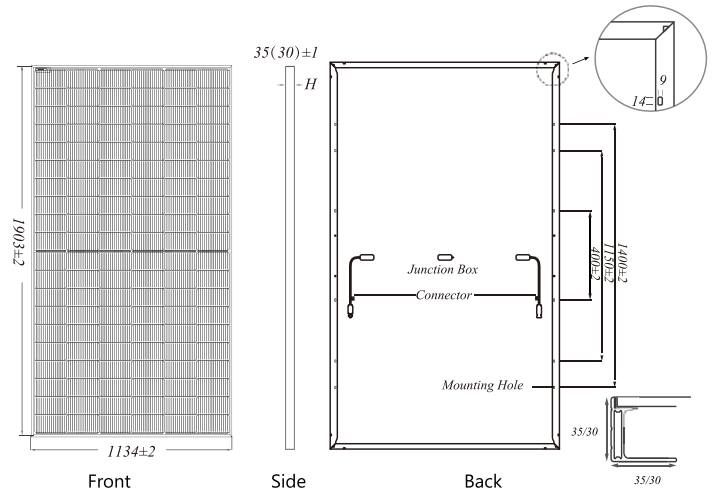


460-480W

STM460-480/120-S5

Half-Cut Cell High Efficiency PV Module

Weight	Dimension(LxWxT)
24.0kg±3%	1903x1134x35(30)mm
Cells Type	Packaging(pcs/40HQ container)
TOPCon 182-16BB 31/682pcs	37/814pcs



Remark: customized frame color and cable length available upon request

MECHANICAL SPECIFICATION

Cell	N-type mono-crystalline
No.of cells	120(6x20)
Cable Length	300mm(+)/300mm(-)
Cable Cross Section Size	4mm ² (IEC)
Junction Box	IP68,3 diodes
Connector	MC4 Compatible

OPERATING PARAMETERS

Maximum System Voltage	1500VDC
Operating Temperature	-40 C ~ +85 C
Maximum Series Fuse	25A
Maximum StaticLoad,Front	5400Pa(112lb/ft ²)
Maximum StaticLoad,Back	2400Pa(50lb/ft ²)
Safety Class	Class II

ELECTRICAL CHARACTERISTICS

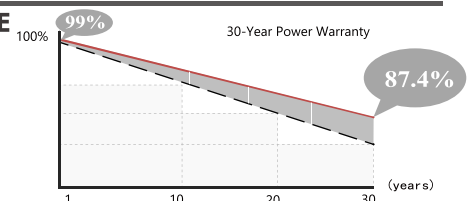
STC:AM1.5 1000W/m² 25°C NOCT:AM1.5 800W/m² 20°C 1m/s Test uncertainty for Pmax ±3%

Module Type	STM460/120-S5		STM465/120-S5		STM470/120-S5		STM475/120-S5		STM480/120-S5	
	STC	NOCT	STC	NOCT	STC	NOCT	STC	NOCT	STC	NOCT
Maximum Power(Pmax/W)	460	346	465	350	470	353	475	357	480	361
Open Circuit Voltage(Voc/V)	42.05	39.93	42.22	40.09	42.38	40.25	42.54	40.40	42.71	40.56
Short Circuit Current(Isc/A)	13.99	11.29	14.07	11.35	14.15	11.42	14.23	11.48	14.31	11.55
Voltage at Maximum Power(Vmp/V)	34.72	32.62	34.89	32.78	35.05	32.95	35.21	33.11	35.38	33.27
Current at Maximum Power(Imp/A)	13.25	10.60	13.33	10.66	13.41	10.72	13.49	10.78	13.57	10.84
Module Efficiency(%)	21.32		21.55		21.78		22.01		22.24	

TEMPERATURE RATINGS

Normal Operating Cell Temperature(NOCT)	45±2 C
Temperature Coefficient of Isc	+0.045%/C
Temperature Coefficient of Voc	-0.275%/C
Temperature Coefficient of Pmax	-0.350%/C

ADDITIONAL VALUE



I-V CURVE(STM460-480/120-S5)

