


特性

- 7A/10A触点切换能力
- 触点和线圈间耐压值4000V
- 高灵敏度,功耗仅为0.2W
- 外形尺寸 : (20.5× 7×15.3)mm

触点参数

触点形式	1A
接触电阻	≤100mΩ(1A 6VDC)
触点材料	银合金
触点负载(阻性)	3A/5A/7A/10A 250VAC
最大切换额定电压	277VAC
最大切换额定电流	10A
最大切换额定功率	2770VA
机械耐久性	1,000,000次
电耐久性(阻性)	3A/5A/7A:100,000次(1s通9s断) 10A:50,000次(1s通9s断)

性能参数

绝缘电阻	1000MΩ(500VDC)	
介质耐压	线圈与触点间	4000VAC 1min
	断开触点间	750VAC 1min
动作时间(额定电压下)	≤20ms	
释放时间(额定电压下)	≤10ms	
抗振动	稳定性	10Hz ~ 55Hz 1.5mm
	强度	10Hz ~ 55Hz 1.5mm
抗冲击	稳定性	10G Min
	强度	100G Min
湿度	5% ~ 85%Rh	
温度范围	-40℃ ~ 105℃	
引出端形式	PCB	
重量	约3.9g	

线圈规格表
温度 : 23°C

额定电压 (VDC)	额定电流 ±%(mA)	线圈电阻 ±10%(Ω)	最大连续外加电压	吸合电压 (Max)	释放电压 (Min)	线圈额定功率 (W)
3	66.7	45	额定电压的130%	额定电压的75%	额定电压的5%	0.2
5	40	125				
6	33.3	180				
9	22.2	405				
12	16.7	720				
15	13.3	1125				
18	11.1	1620				
24	8.3	2880				
3	120	25	额定电压的130%	额定电压的75%	额定电压的5%	0.36
5	72	69.4				
6	60	100				
9	40	225				
12	30	400				
15	24	625				
18	20	900				
24	15	1600				

安规认证

认证类别	CQC	TUV	UL
证书号	CQC11002061821	R 50205017	E321783
负载要求	3A 250VAC(0.2W) 5A 250VAC(0.36W) 7A 250VAC 10A 250VAC	3A 250VAC 5A 250VAC 7A/10A 250/277VAC	5A 277/250VAC 3A 277/250VAC 1/8HP 240VAC 3A/5A 30VDC TV-2 120VAC 7A 277/250/125VAC 10A 277/250/125VAC

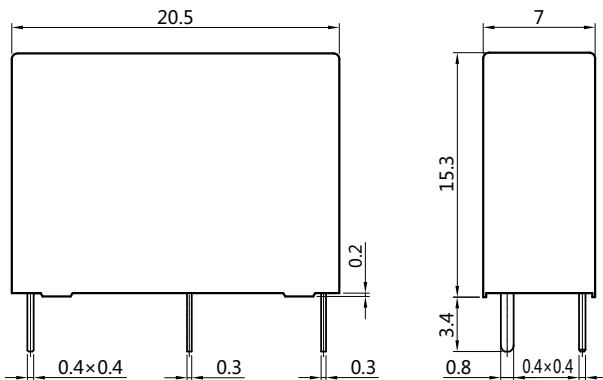
Y5 命名规则

Y5	-1A	-12	L	S	F	H	XXX
特殊说明：无--标准型；字母或数字-特殊说明							
触点负载：无--3A；H--5A；M--7A/10A							
绝缘等级：无--Class A；F--Class F							
密封方式：无--防助焊剂型，S--防水密封型							
线圈功率：L-0.2W；D--0.36W							
线圈额定电压（VDC）：3，5，6，9，12，15，18，24							
触点形式：1A-1组常开型							
型号：Y5							

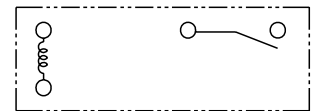
外形图、接线图

单位:mm

外形图



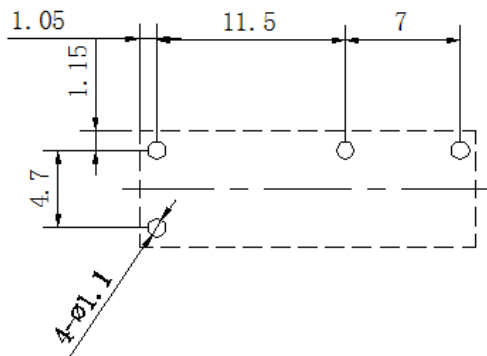
接线图(底视图)



注：产品部分外形尺寸未注尺寸公差，
当外形尺寸 < 1mm，公差为±0.2mm；
当外形尺寸在1~5mm之间时，公差为±0.3mm；
当外形尺寸 > 5mm，公差为±0.4mm。

安装孔尺寸图（底视图）

单位:mm



注：引出端子尺寸为预焊前尺寸；
安装孔尺寸公差：±0.1mm。

声明:

本产品规格书仅供客户使用时参考,若有更改,恕不另行通知。

对高登而言,不可能评定继电器在每个具体应用领域的所有性能参数要求,因而客户应该根据具体的使用条件选择与之相配的产品,若有疑问,请与高登联系获取更多的技术支持,但是产品选型责任由客户负责。

©深圳高登电科股份有限公司版权所有, 本公司保留所有权利。



Characteristics

- 7/10A contact switching capacity
- Voltage withstand value between contact and coil 4000V
- High sensitivity, power consumption is only 0.2W
- Sizes: (20.5 × seven × 15.3)mm

Contact parameter

Contact form	1A
Contact resistance	≤100mΩ(1A 6VDC)
Contact material	Silver alloy
Contact load (Resistance)	3A/5A/7A/10A 250VAC
Max. Switching Voltage	277VAC
Max. Switching Current	10A
Max. Switching Power	2770VA
Mechanical Life	1,000,000 ops.
Electrical Life (Resistive)	3A/5A/7A:100,000 ops. (1s on 9s off) 10A:50,000 ops. (1s on 9s off)

Performance parameter

Insulation resistance	1000MΩ(500VDC)	
Dielectric Strength	Between coil & contacts	4000VAC 1min
	Between open contacts	750VAC 1min
Operating time (at rated voltage)	≤20ms	
Release time (at rated voltage)	≤10ms	
Vibration resistant	Malfunction	10Hz ~ 55Hz 1.5mm
	Durability	10Hz ~ 55Hz 1.5mm
Impact resistance	Malfunction	10G Min
	Durability	100G Min
Humidity	5% ~ 85%Rh	
Operating Condition	-40°C ~ 105°C	
Terminal Type	PCB	
weight	About 3.9g	

Coil parameter				Temperature: 23°C		
Nominal Voltage (VDC)	Rated current ±%(mA)	Coil resistance ±10%(Ω)	Maximum continuous applied voltage	Pull-in voltage (Max)	Release voltage (Min)	Coil rated power (W)
3	66.7	45	130% of rated voltage	75% of rated voltage	5% of rated voltage	0.2
5	40	125				
6	33.3	180				
9	22.2	405				
12	16.7	720				
15	13.3	1125				
18	11.1	1620				
24	8.3	2880				
3	120	25	130% of rated voltage	75% of rated voltage	5% of rated voltage	0.36
5	72	69.4				
6	60	100				
9	40	225				
12	30	400				
15	24	625				
18	20	900				
24	15	1600				

Y5 Naming rules

Y5 -1A -12 L S F H XXX

Special instructions: Blank--standard type; letters or numbers-special instructions

Contact load: Blank--3A;H-- 5A ;M--7A/10A

Insulation class: Blank--Class A; F--Class F

Sealing method: Blank--Flux proof(RT II);S--Wash tight (RT III)/explosion-proof type

Rated coil power : L-0.2W ; D--0.36W

Rated coil voltage (VDC) : 3 , 5 , 6 , 9 , 12 , 15 , 18 , 24

Contact Form: 1A--1 pole make contact

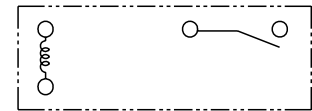
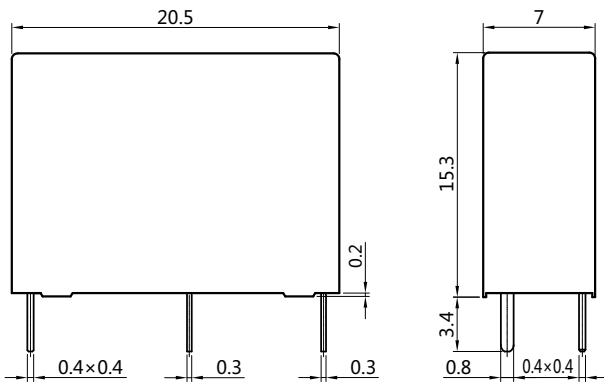
Model: Y5

Safety certification

Certification category	CQC	TUV	UL
Certificate No	CQC11002061821	R 50205017	E321783
Load requirement	3A 250VAC(0.2W) 5A 250VAC(0.36W) 7A 250VAC 10A 250VAC	3A 250VAC 5A 250VAC 7A/10A 250/277VAC	5A 277/250VAC 3A 277/250VAC 1/8HP 240VAC 3A/5A 30VDC TV-2 120VAC 7A 277/250/125VAC 10A 277/250/125VAC

Outline drawing、Wiring diagram (bottom view)

Unit: mm



Note: Part of the product has no tolerances on the external dimensions.

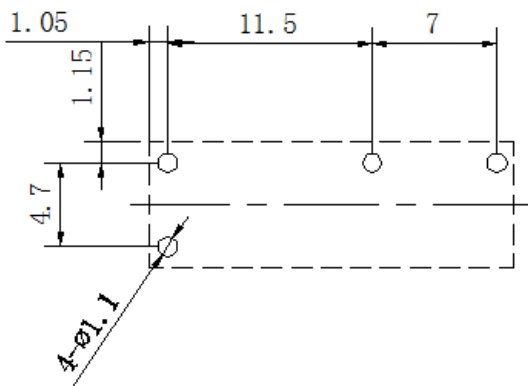
When the external dimensions are less than 1mm, the tolerance is $\pm 0.2\text{mm}$;

When the external dimension is between 1~5mm, the tolerance is $\pm 0.3\text{mm}$;

When the external dimension $> 5\text{mm}$, the tolerance is $\pm 0.4\text{mm}$.

PCB Layout (bottom view)

Unit: mm



Note: The size of the lead terminal is the size before pre-welding; the size tolerance of the mounting hole: $\pm 0.1\text{mm}$.

statement:

This product specification is only for reference when customers use it, and subject to change without notice.

For Golden, it is impossible to evaluate all the performance parameter requirements of the relay in each specific application field. Therefore, the customer should choose the product that matches it according to the specific use conditions. If you have questions, please contact Golden for more technical support, but the customer is responsible for product selection.

©Shenzhen Golden Electronics Co., Ltd. All rights reserved. All rights are reserved by the company.