


特性

- 100A触点切换能力
- 适用于太阳能光伏发电用逆变器
- 触点间隙4.0mm
- 整机施加线圈保持电压，节省电力损耗
- 外形尺寸：(38×33×39.5)mm

触点参数

| | |
|---------------------|---|
| 触点形式 | 1A |
| 接触电阻 ⁽¹⁾ | ≤10mΩ(20A 6VDC) |
| 触点材料 | 银合金 |
| 触点负载(阻性) | 100A 400VAC |
| 最大切换额定电压 | 800VAC |
| 最大切换额定电流 | 100A |
| 最大切换额定功率 | 80000VA |
| 机械耐久性 | 1,000,000次 |
| 电耐久性(阻性) | 30,000 (接通30A,载流100A, 断开30A, 400VAC,85℃, 1s通9s断) 1,000 (接通30A,载流100A, 断开30A, 800VAC,85℃, 1s通9s断) |

备注：(1) 上述值为初始值。

性能参数

| | | |
|----------------|-------------------------------|---------------------|
| 绝缘电阻 | 1000MΩ(500VDC) | |
| 介质耐压 | 线圈与触点间 | 5000VAC 1min |
| | 断开触点间 | 2000VAC 1min |
| 浪涌电压(线圈与触点间) | 10kV(1.2/50us) | |
| 动作时间(额定电压下) | ≤30ms | |
| 释放时间(额定电压下) | ≤10ms | |
| 线圈温升 (额定电压下) | ≤70K(触点负载100A,额定电压激励,环境温度85℃) | |
| 冲击 | 稳定性 | 98m/s ² |
| | 强度 | 980m/s ² |
| 振动 | 10Hz~55Hz 1.5mm 双振幅 | |
| 湿度 | 5%~85%Rh | |
| 温度范围 | -40℃~85℃(线圈施加保持电压) | |
| 引出端形式 | 印制板式 | |
| 重量 | 约100g | |

备注：上述值为初始值。

线圈规格表

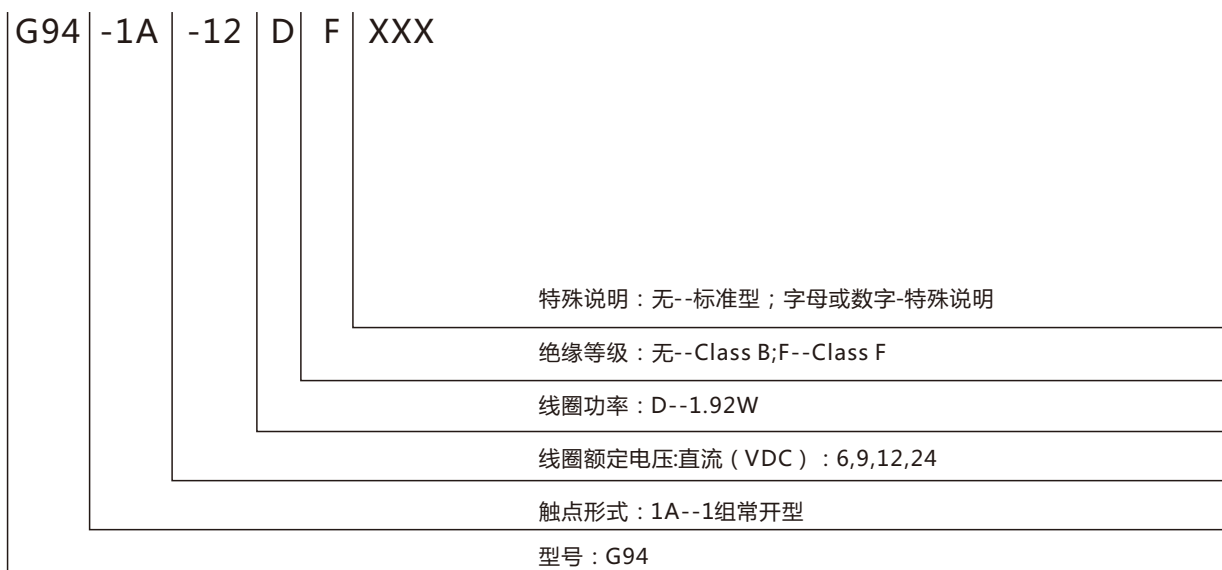
温度：23℃

| 额定电压 (VDC) | 动作电压 (1) (VDC) | 释放电压 (1) (VDC) | 最大电压 (2) (VDC) | 线圈电阻 ±10%(Ω) | 线圈功率 |
|------------|----------------|----------------|----------------|--------------|--------|
| 6 | ≤4.2 | ≥0.6 | 6.6 | 18.8 | 约1.92W |
| 9 | ≤6.3 | ≥0.9 | 9.9 | 42.2 | |
| 12 | ≤8.4 | ≥1.2 | 13.2 | 75 | |
| 24 | ≤16.8 | ≥2.4 | 26.4 | 300 | |

备注：(1) 上述值为初始值；
 (2) 最大电压是指继电器线圈在短时间内能够承受的最大电压值。

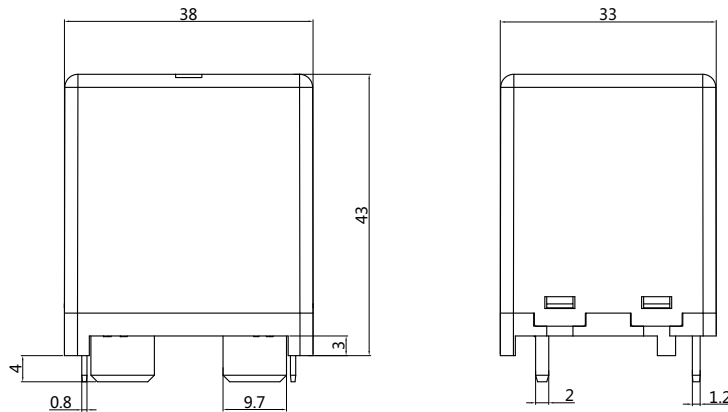
安规认证

| | |
|------|--|
| 认证类别 | |
| 证书号 | |
| 负载要求 | 接通30A,载流100A, 断开30A, 400VAC 接通30A,载流100A, 断开30A, 800VAC |

G94 命名规则


外形图

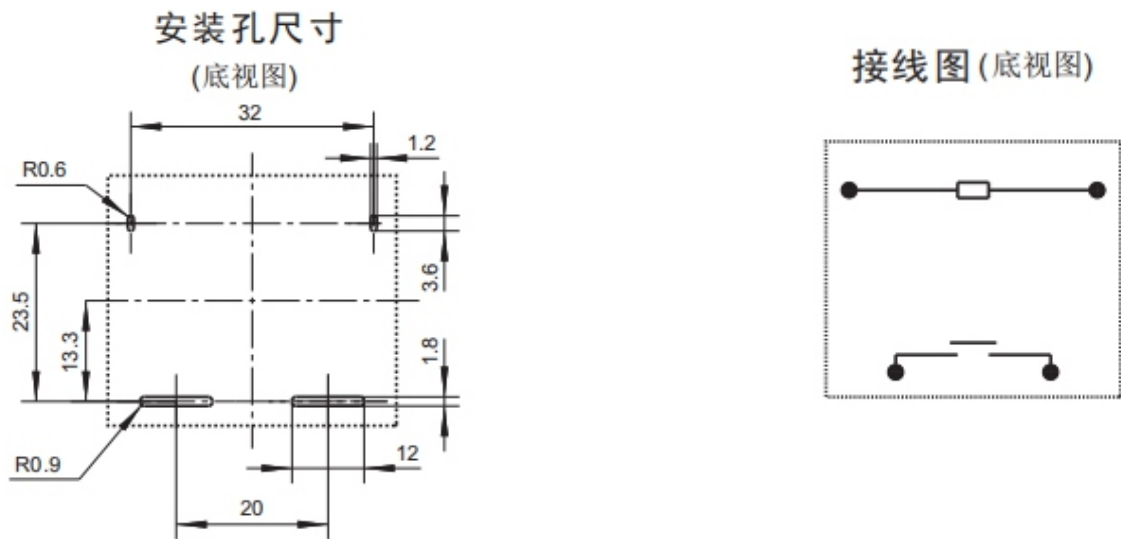
单位:mm



注：产品部分外形尺寸未注尺寸公差，当外形尺寸 < 1mm，公差为±0.2mm；
当外形尺寸在1~5mm之间时，公差为±0.3mm；当外形尺寸 > 5mm，公差为±0.4mm。

安装孔尺寸图(底视图)、接线图(底视图)

单位:mm



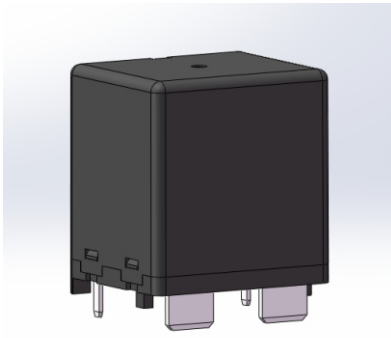
注：引出端子尺寸为预焊前尺寸；
安装孔尺寸公差：±0.1mm。

声明:

本产品规格书仅供客户使用时参考,若有更改,恕不另行通知。

对高登而言,不可能评定继电器在每个具体应用领域的所有性能参数要求,因而客户应该根据具体的使用条件选择与之相配的产品,若有疑问,请与高登联系获取更多的技术支持,但是产品选型责任由客户负责。

©深圳高登电科股份有限公司版权所有, 本公司保留所有权利。



Characteristics

- 100 Amp switching
- Suitable for inverters for solar photovoltaic power generation
- Contact gap : 4.0 mm available
- The whole machine applies coil holding voltage to save power loss
- Sizes: (38× 33×39.5)mm

Contact parameter

| | |
|-----------------------------------|---|
| Contact form | 1A |
| Contact resistance ⁽¹⁾ | ≤10mΩ(20A 6VDC) |
| Contact material | Silver alloy |
| Contact load (Resistance) | 100A 400VAC |
| Max. Switching Voltage | 800VAC |
| Max. Switching Current | 100A |
| Max. Switching Power | 80000VA |
| Mechanical Life | 1,000,000 ops. |
| Electrical Life (Resistive) | 30,000 (connecting 30A, carrying current 100A, disconnecting 30A, 400VAC, 85°C, 1s on and 9s off) 1,000 (connecting 30A, carrying current 100A, disconnecting 30A, 800VAC, 85°C, 1s on and 9s off) |

Note: (1) The above values are initial values.

Performance parameter

| | | |
|--|---|---------------------|
| Insulation resistance | 1000MΩ(500VDC) | |
| Dielectric Strength | Between coil & contacts | 5000VAC 1min |
| | Between open contacts | 2000VAC 1min |
| Surge voltage (Between coil & contacts) | 10kV(1.2/50us) | |
| Operating time (at rated voltage) | ≤30ms | |
| Release time (at rated voltage) | ≤10ms | |
| Coil temperature rise (at rated voltage) | ≤70K (contact load 100A, rated voltage, 85°C) | |
| Impact resistance | Malfunction | 98m/s ² |
| | Durability | 980m/s ² |
| Vibration resistant | 10Hz ~ 55Hz 1.5mm double amplitude | |
| Humidity | 5% ~ 85%Rh | |
| Operating Condition | -40°C ~ 85°C | |
| Terminal Type | PCB | |
| weight | About 100g | |

Coil parameter

Temperature: 23°C

| Nominal Voltage (VDC) | Operating voltage ⁽¹⁾ (VDC) | Release voltage ⁽¹⁾ (VDC) | Maximum voltage ⁽²⁾ (VDC) | Coil resistance ±10%(Ω) | Coil rated power (W) |
|-----------------------|--|--------------------------------------|--------------------------------------|-------------------------|----------------------|
| 6 | ≤4.2 | ≥0.6 | 6.6 | 18.8 | About 1.92W |
| 9 | ≤6.3 | ≥0.9 | 9.9 | 42.2 | |
| 12 | ≤8.4 | ≥1.2 | 13.2 | 75 | |
| 24 | ≤16.8 | ≥2.4 | 26.4 | 300 | |

Note: (1) The above values are initial values;

(2) The maximum voltage refers to the maximum voltage that the relay coil can withstand in a short time.

Safety certification

| | |
|------------------------|--|
| Certification category | |
| Certificate No | |
| Load requirement | Connect 30A, carry current 100A, disconnect 30A, 400VAC Connect 30A, carry current 100A, disconnect 30A, 800VAC |

G94 Naming rules

G94 -1A -12 D F XXX

Special instructions: Blank-standard type; letters or numbers-special instructions

Insulation class: Blank--Class B; F--Class F

Rated coil power : D--1.92W

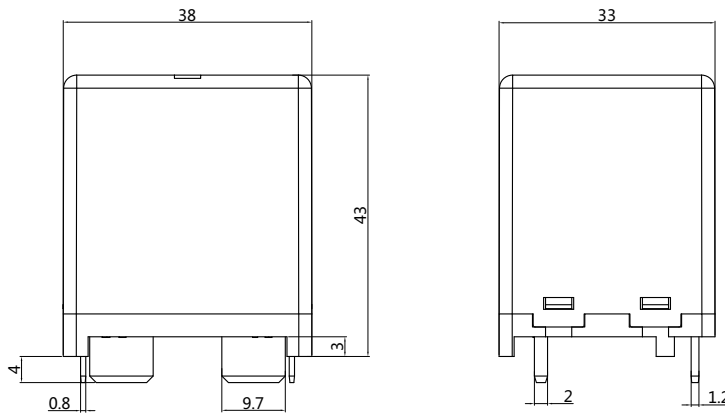
Rated coil voltage (VDC) : 6 , 9 , 12 , 24

Contact Form: 1A--1 pole make contact

Model: G94

Outline drawing

Unit: mm



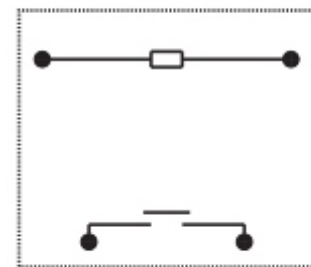
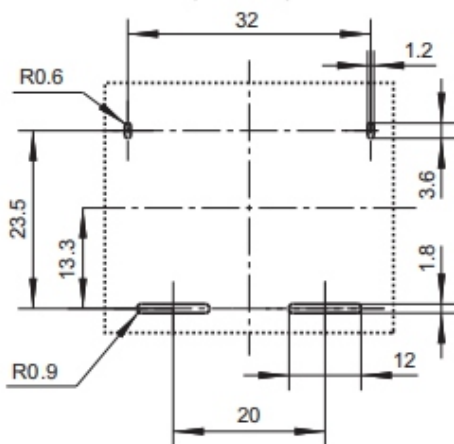
Note: Part of the product has no tolerances on the external dimensions.
 When the external dimensions are less than 1mm, the tolerance is $\pm 0.2\text{mm}$;
 When the external dimension is between 1~5mm, the tolerance is $\pm 0.3\text{mm}$;
 When the external dimension $> 5\text{mm}$, the tolerance is $\pm 0.4\text{mm}$.

PCB Layout (bottom view)、Wiring diagram (bottom view)

Unit: mm

PCB Layout (bottom view)

Wiring diagram (bottom view)



Note: The size of the lead terminal is the size before pre-welding;
 the size tolerance of the mounting hole: $\pm 0.1\text{mm}$.

statement:

This product specification is only for reference when customers use it, and subject to change without notice.

For Golden, it is impossible to evaluate all the performance parameter requirements of the relay in each specific application field. Therefore, the customer should choose the product that matches it according to the specific use conditions. If you have questions, please contact Golden for more technical support, but the customer is responsible for product selection.

©Shenzhen Golden Electronics Co., Ltd. All rights reserved. All rights are reserved by the company.