



特性 Characteristic

- 磁保持继电器 Latching relay
- 2A触点切换能力 2A contact switching capability
- 电表用继电器 For smart meter
- 触点间耐压达2.5KA Dielectric strength between contact is 2.5KA
- 触点间隙达1.2mm以上 Clearance between contact beyond 1.2mm
- 外形尺寸: (20×13×19.2)mm Outline: (20×13×19.2)mm

触点参数 Contact parameters

触点形式 Contact form	2A, 2B
接触电阻 Contact resistance	≤50mΩ (1A 6VDC)
触点材料 Contact material	AgNi
触点负载(阻性) Contact load (Resistance)	2A 250VAC
最大切换额定电压 Maximum switching rated voltage	440VAC
最大切换额定电流 Maximum switching current rating	2A
最大切换额定功率 Maximum switching power rating	500VA
机械耐久性 Mechanical durability	1,000,000次
电耐久性 Electrical durability	200,000次 (2A, 250VAC)

性能参数 performance parameter

绝缘电阻 insulation resistance		1000MΩ (500VDC)
介质耐压 Dielectric strength	线圈与触点间 Between contact & coil	4000VAC 1min
	断开触点间 Between open contact	2500VAC 1min
动作时间(额定电压下) Operate time(Nominal Voltage)		≤20ms
释放时间(额定电压下) Release time(Nominal Voltage)		≤20ms
抗冲击 Shock resistance	稳定性 Malfunction	196m ² /s
	强度 Durability	980m ² /s
抗振动 Vibration resistance		10Hz~55Hz 1.5mm 双振幅
湿度 humidity		5%~85%Rh
温度范围 Operating ambient temperature		-40℃~70℃
引出端形式 Elicited end form		PCB
重量 Weight		(Approx.) 7g

线圈参数 Coil Rating

线圈额定功率
Rated power of coil

单线圈:约360mW; 双线圈 : 约720mW
Single coil : about 360mW ; Double loop : about 720mW

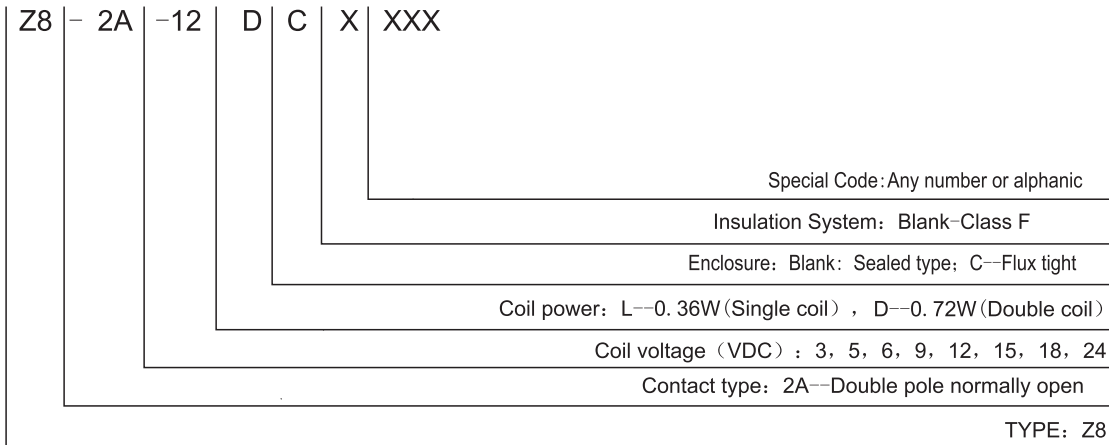
线圈规格表 (温度: 23°C)

额定电压 (VDC) Nominal Voltage	动作、复归电压 (VDC) Action and reset voltage	脉冲宽度 (ms) pulse width	线圈电阻 × (1±10%) Ω Coil Resistance	
			单线圈 Single coil	双线圈 Double loop
3	≤2.4	≥50		25
5	≤4.0	≥50		69.4
6	≤4.8	≥50		100
9	≤7.2	≥50		225
12	≤9.6	≥50		400
24	≤19.2	≥50		1600
3	≤2.4	≥50		12.5+12.5
5	≤4.0	≥50		34.7+34.7
6	≤4.8	≥50		50+50
9	≤7.2	≥50		112.5+112.5
12	≤9.6	≥50		200+200
24	≤19.2	≥50		800+800

安规认证 Safety and regulation certification

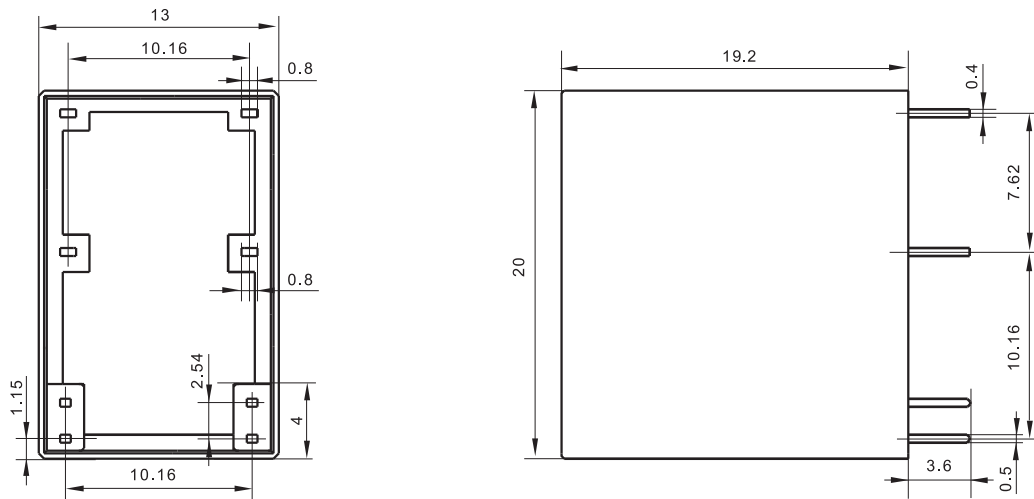
认证类别 Authentication category	CQC	TUV	UL
证书号 Certificate number			
负载要求 Load requirement	On-pending	On-pending	On-pending

Z8 命名规则 Naming rules



外形图 Contour map 接线图 Wiring diagram 安装孔尺寸 Installation hole size

外形图 Contour map



公差要求:

<1mm: $\pm 0.2\text{mm}$

1~5mm: $\pm 0.3\text{mm}$ 注: 引出端子尺寸为预焊前尺寸;

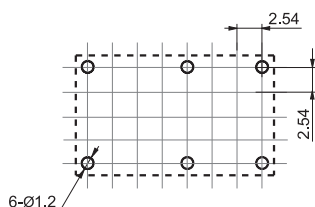
>5mm: $\pm 0.4\text{mm}$ 安装孔尺寸公差: $\pm 0.1\text{mm}$

notes: Elicited terminal size before pre weld size;

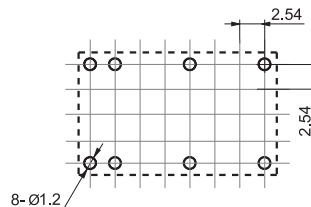
Dimension tolerance of installation hole: $\pm 0.1\text{mm}$.

安装孔尺寸(底视图) Installation hole size

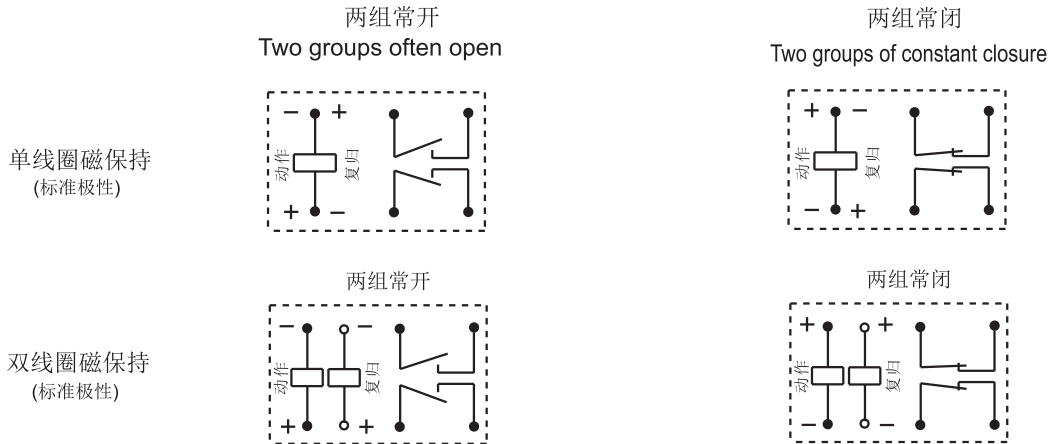
单线圈磁保持
两组常开、两组常闭



双线圈磁保持
两组常开、两组常闭



接线图Wiring diagram



性能曲线图 Performance curve

