


**特性**

- 80A触点切换能力
- 工作温度高达125°C
- 标准印刷板引出脚
- 外形尺寸：(29.2×29×25.5)mm

**触点参数**

触点形式	1A
接触压降	≤250mV ( 10A)
触点材料	银合金
触点负载(阻性)	80A/14VDC
最大切换额定电压	50VDC
最大切换额定电流	80A
最大切换额定功率	4000W
机械耐久性	10,000,000次
电耐久性(阻性)	100,000次(1s通9s断)

**性能参数**

绝缘电阻	100MΩ(500VDC)	
介质耐压	线圈与触点间	500VAC 1min
	断开触点间	500VAC 1min
动作时间(额定电压下)	≤10ms	
释放时间(额定电压下)	≤7ms	
抗振动	耐久	10Hz~55Hz 1.5mm
	误动作	10Hz~55Hz 1.5mm
抗冲击	耐久	10G Min
	误动作	100G Min
湿度	5%~85%Rh	
温度范围	-40°C~125°C	
引出端形式	PCB	
重量	约38g	

**线圈规格表**

温度：23℃

额定电压 (VDC)	额定电流 ±%(mA)	线圈电阻 ±10%(Ω)	最大连续外加电压	吸合电压 (Max)	释放电压 (Min)	线圈额定功率 (W)
12	125	96	额定电压的130%	额定电压的75%	额定电压的5%	1.5
24	62.5	384				
48	31.25	1536				
12	150	80	额定电压的130%	额定电压的75%	额定电压的5%	1.8
24	75	320				
48	37.5	1280				

**安规认证**

认证类别	CQC	TUV	UL
证书号	/	/	/
负载要求	30A 12VDC 15A 24VDC	30A 12VDC 15A 24VDC	30A 12VDC 15A 24VDC

**GYL 命名规则**

GYL -1A -12 D

线圈功率：L--1.5W；D--1.8W

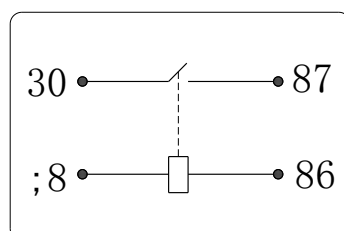
线圈额定电压 (VDC)：12, 24, 48

触点形式：1A--常开型；

型号：GYL

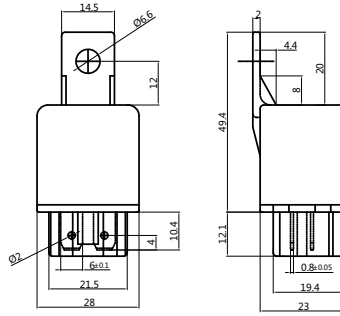
**接线图 (底视图)**

单位:mm



**外形图**

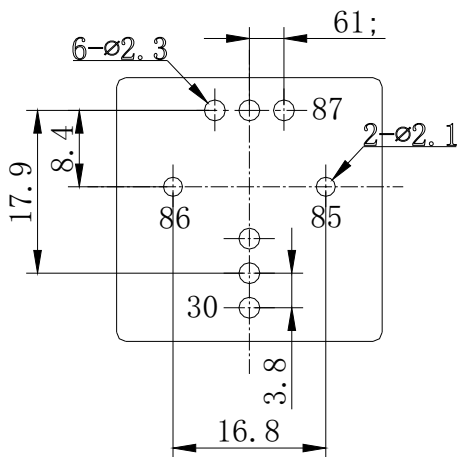
单位:mm



注：产品部分外形尺寸未注尺寸公差，当外形尺寸 < 1mm，公差为±0.2mm；  
当外形尺寸在1~5mm之间时，公差为±0.3mm；当外形尺寸 > 5mm，公差为±0.4mm。

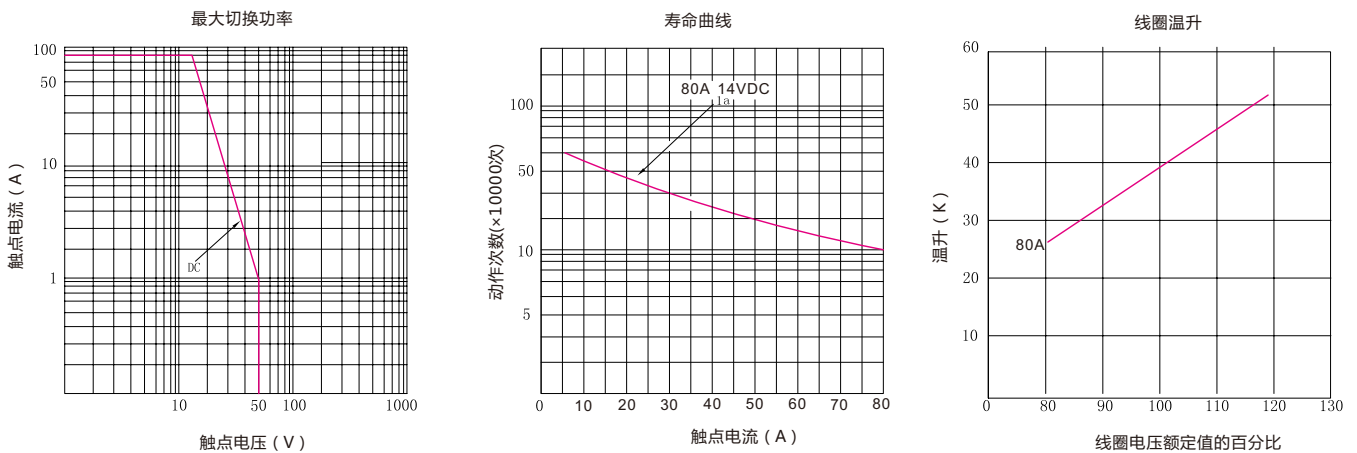
**安装孔尺寸图（底视图）**

单位:mm



注：引出端子尺寸为预焊前尺寸；  
安装孔尺寸公差：±0.1mm。

**性能曲线图**



**声明:**

本产品规格书仅供客户使用时参考,若有更改,恕不另行通知。

对高登而言,不可能评定继电器在每个具体应用领域的所有性能参数要求,因而客户应该根据具体的使用条件选择与之相配的产品,若有疑问,请与高登联系获取更多的技术支持,但是产品选型责权由客户负责。

©深圳高登电科股份有限公司版权所有, 本公司保留所有权利。


**Characteristics**

- 80A contact switching capability
- Working temperature up to 125°C
- Standard printed board lead-out feet
- Dimensions:(29.2× 29×25.5)mm

**Contact parameter**

Contact form	1A
Contact resistance	≤250mV ( 10A)
Contact material	Silver alloy
Contact load (resistance)	80A/14VDC
Maximum switching rated voltage	50VDC
Maximum switching current rating	80A
Maximum switching power rating	4000W
Mechanical durability	10,000,000 times
Electrical durability(resistive)	100,000次 times ( 1s on 9s off)

**Performance parameter**

Insulation resistance	100MΩ(500VDC)	
Dielectric withstand voltage	Coil and contact	500VAC 1min
	Disconnect the contacts	500VAC 1min
Operating time (at rated voltage)	≤10ms	
Release time (at rated voltage)	≤7ms	
Vibration resistant	Malfunction	10Hz ~ 55Hz 1.5mm
	Durability	10Hz ~ 55Hz 1.5mm
Impact resistance	Malfunction	10G Min
	Durability	100G Min
humidity	5% ~ 85%Rh	
temperature range	-40°C ~ 125°C	
Terminal form	PCB	
weight	About 38g	

## Coil parameter

Temperature: 23°C

Nominal Voltage (VDC)	Rated current ±%(mA)	Coil resistance ±10%(Ω)	Maximum continuous applied voltage	Pull-in voltage (Max)	Release voltage (Min)	Coil rated power (W)
12	125	96	130% of rated voltage	75% of rated voltage	5% of rated voltage	1.5
24	62.5	384				
48	31.25	1536				
12	150	80	130% of rated voltage	75% of rated voltage	5% of rated voltage	1.8
24	75	320				
48	37.5	1280				

## Safety certification

Certification category	CQC	TUV	UL
Certificate No	/	/	/
Load requirement	30A 12VDC 15A 24VDC	30A 12VDC 15A 24VDC	30A 12VDC 15A 24VDC

## GYL Naming rules

GYL -1A -12 D

Rated coil power : L--1.5W ; D--1.8W

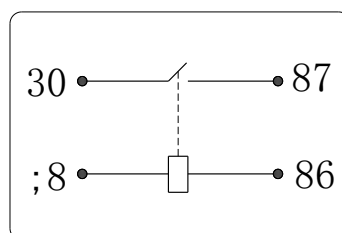
Rated coil voltage ( VDC ) : 12 , 24 , 48

Contact Form: 1A--1 pole make contact

Model: GYL

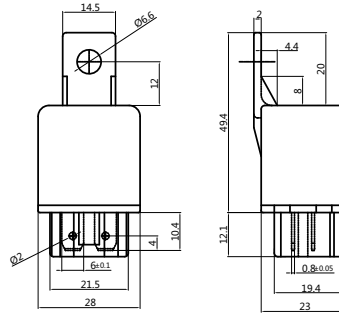
## Wiring diagram (bottom view)

Unit: mm



Outline drawing

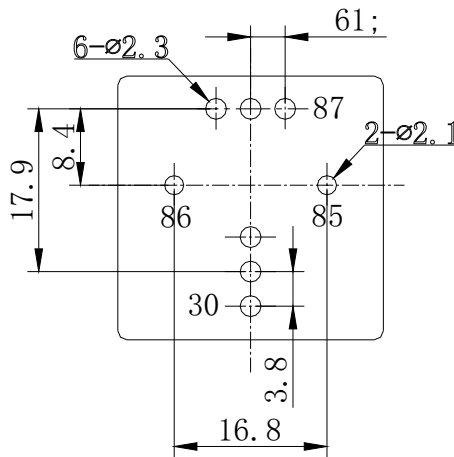
Unit: mm



Note: Part of the product has no tolerances on the external dimensions.  
 When the external dimensions are less than 1mm, the tolerance is  $\pm 0.2\text{mm}$ ;  
 When the external dimension is between 1~5mm, the tolerance is  $\pm 0.3\text{mm}$ ;  
 When the external dimension  $> 5\text{mm}$ , the tolerance is  $\pm 0.4\text{mm}$ .

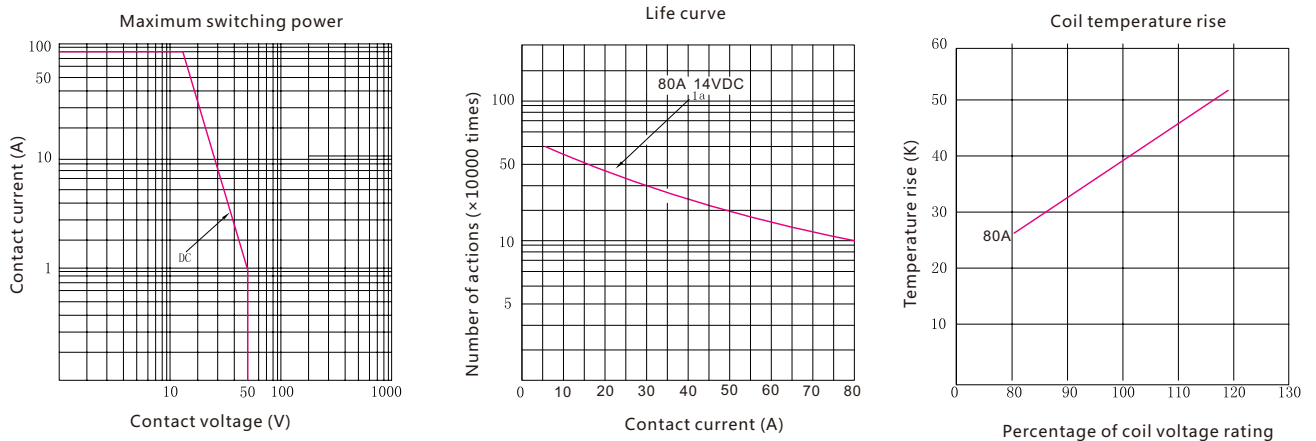
Mounting hole size (bottom view)

Unit: mm



Note: The size of the lead terminal is the size before pre-welding;  
 the size tolerance of the mounting hole:  $\pm 0.1\text{mm}$ .

Performance graph



statement:

This product specification is only for reference when customers use it, and subject to change without notice.

For Gordon, it is impossible to evaluate all the performance parameter requirements of the relay in each specific application field. Therefore, the customer should choose the product that matches it according to the specific use conditions. If you have questions, please contact Gordon for more technical support, but the customer is responsible for product selection.

©Shenzhen Gordon Electronics Co., Ltd. All rights reserved. All rights are reserved by the company.