

## WS7型防水開關系列 Waterproof switch series

### ◆ 特點和用途 Characteristics and usage

- 產品結構簡單可靠，防塵、防水。

Simple and reliable product structure, dustproof and waterproof.

- 可配備各種導線

Provide with a variety of wires.

- 可在建築物門窗控制裝置、工業控制設備中使用。

Can be used in door and window control devices of building and in industrial control equipments.



### ◆ 技術特性 Technical Characteristics

項目 Item		特性值 Value
環境溫度 Environment temperature		-40 ~ +85°C
相對濕度 Relative humidity		95%, 40°C
額定值 Ratings		10(4)A 250VAC <sub>μ</sub> , 10GPA 125/250VAC <sub>μ</sub> , 4A 30VDC 1/2hp 250VAC <sub>μ</sub>
動作力 Operating force		≤2N
工作速度 Operating speed		0.1mm ~ 1m/s (無動臂時No lever)
工作頻率 Operating frequency		機械 60次/min; 電氣 25次/min Mechanical 60 cycles/min; Electrical 25cycles/min
絕緣電阻 Insulation resistance		≥100MΩ (500VDC)
接觸電阻 Contact resistance		端子型Terminal type ≤50mΩ 導線型wire type ≤100mΩ
耐電壓 Test voltage	同極不相接端子間 Between terminals of the same polarity	AC1000V, 50/60Hz, 1min
	帶電金屬零件與地(外殼)之間、接線端與不帶電金屬件之間 Between current-carrying metal parts and ground(case), and between each terminal and non-current-carrying metal parts.	AC1500V, 50/60Hz, 1min
抗振動 Vibration resistance		10 ~ 55Hz, 1.5mm雙振幅Double amplitude
抗衝擊 Shock resistance		耐久: 1000m/S <sup>2</sup> (約100G) 最大 Endurance: 1000m/S <sup>2</sup> (approx 100G) max 誤動作: 300m/S <sup>2</sup> (約30G) 最大 Wrong action: 300m/S <sup>2</sup> (approx.30G) max
防觸電保護等級 Electric shock proof protection degree		I 級 I class
外殼防護等級 Cover protection degree		IEC IP67
壽命 life		機械 ≥1,000,000次 Mechanical ≥1,000,000 cycles 電氣 ≥10,000次 Electrical ≥10,000 cycles

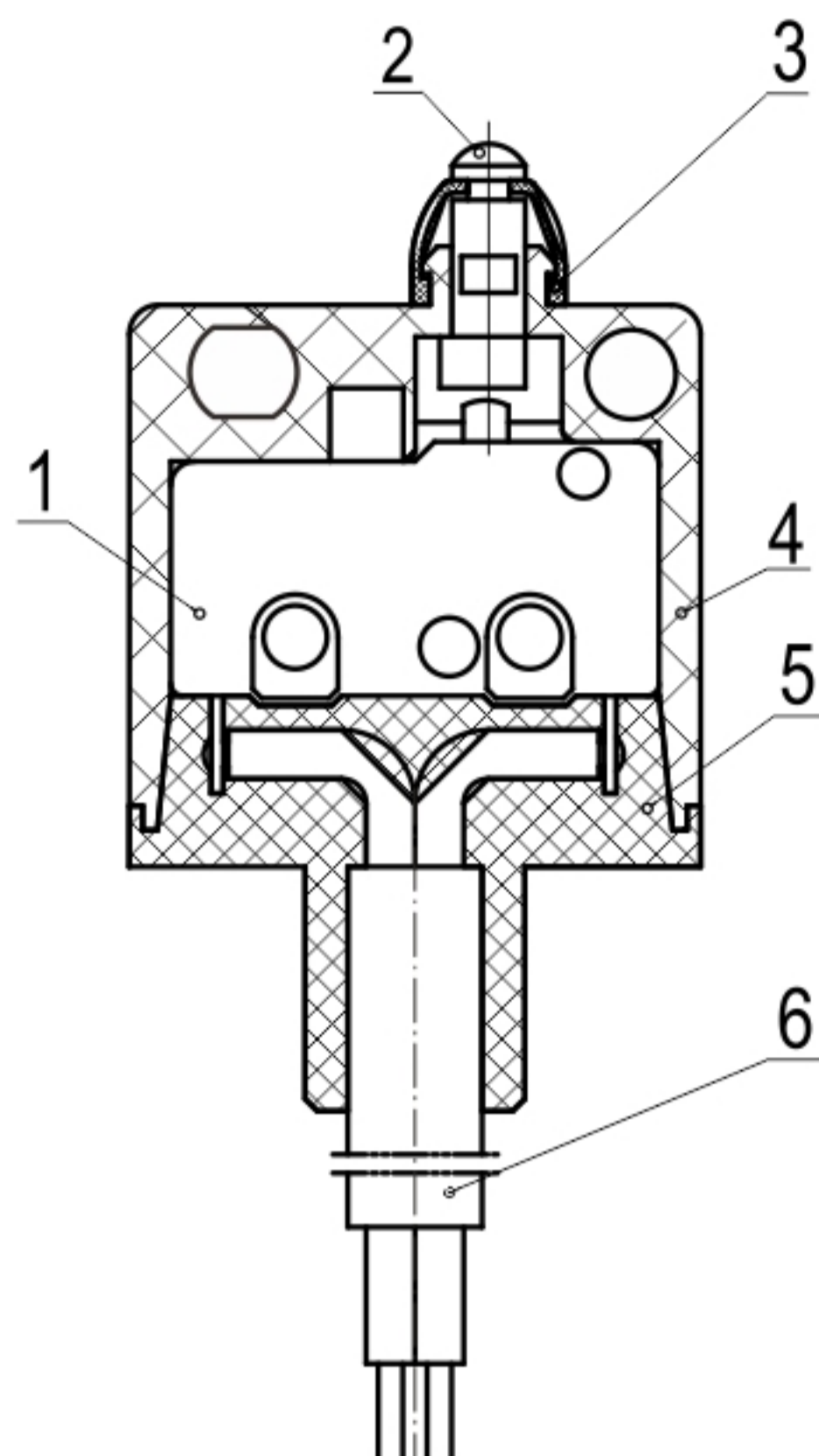
To provide a safe and reliable on-off service, let electric appliances more perfect

## ◆ 型號規格命名及含義 Model number legend and meanings

WS7 - □ □ □ □ - □  
1 2 3 4 5

<p><b>1</b> 接觸形式 Circuit</p>	<p>Z:轉換式SPDT T:常開(按通)式SPST-NO D:常閉(按斷)式SPST-NC (見說明圖See illustration)</p>	<p><b>5</b> 附加規格代號及 導線顏色配置代號 Additional specs code and wire color code</p>	<p>適用於apply to: 1) 當開關使用了非標準零件如非標準端子時; When used not standard parts such as not standard terminal. 2) 當顧客有特殊動作特性值或其它要求時; When customer has particular operating value or other requirements. 3) 當導線顏色不是默認的配置顏色時。When the wire color is not the default color. ■ 附加規格代號用兩位阿拉伯數字表示, 如01、02、03……在沒有附加規格編號時, 該位置空缺。 Additional spec number shows as 01, 02, 03……If there is no additional numbers, the place is vacant. ■ 導線顏色配置代號: 用三個英文字母按COM、NC、NO順序表示; 若是常開式或常閉式開關, 空缺位置用字母O表示。(顏色代號: 紅-R、白-W、黑-B、綠-G、藍-L、黃-M、灰-H、紫-P)。 Wire color code: indicate with 3 letters, the order is COM、NC、NO; If NO or NC, vacant place shows 0. (Color code: red-R, white-W, black-B, green-G, blue-L, yellow-Y, grey-H, purple-P) 示例example: BWR, BOR, RWO ■ 若同時有附加規格代號和導線顏色配置代號, 則導線顏色配置代號位于附加規格代號之後。If there are append specs code and wire color code at the same time, then the wire color code should be after the append specs code. 示例example: 02BWR ■ 導線型開關的引線顏色默認配置規定如下: Wire color of wire type switch is as follows: 公共端引線COM: 黑色 Common terminal wire COM: Black 常閉端引線NC: 藍色 Normally closed terminal wire NC: Blue 常開端引線NO: 白色 Normally opened terminal wire NO: White</p>
<p><b>2</b> 外形特徵 (導線出線方向) Shape characteristics (wire direction)</p>	<p>L: 左方導線Left side wire R: 右方導線Right side wire D: 底面導線Bottom wire type</p>		
<p><b>3</b> 導線規格 Wire specifications</p>	<p>A: 灰色護套綠白電纜Gray jacket with green and white wires 2X0.75mm 300V -40-+90°C B: 灰色護套綠白電纜Gray jacket with green and white wires 2X1.0mm 300V -40-+90°C □: 其它規格 Other specifications</p>		
<p><b>4</b> 導線長度 Wire length</p>	<p>用毫米數表示 Indicate with number- "mm"</p>		

◆ 内部構造圖 Internal configuration drawing

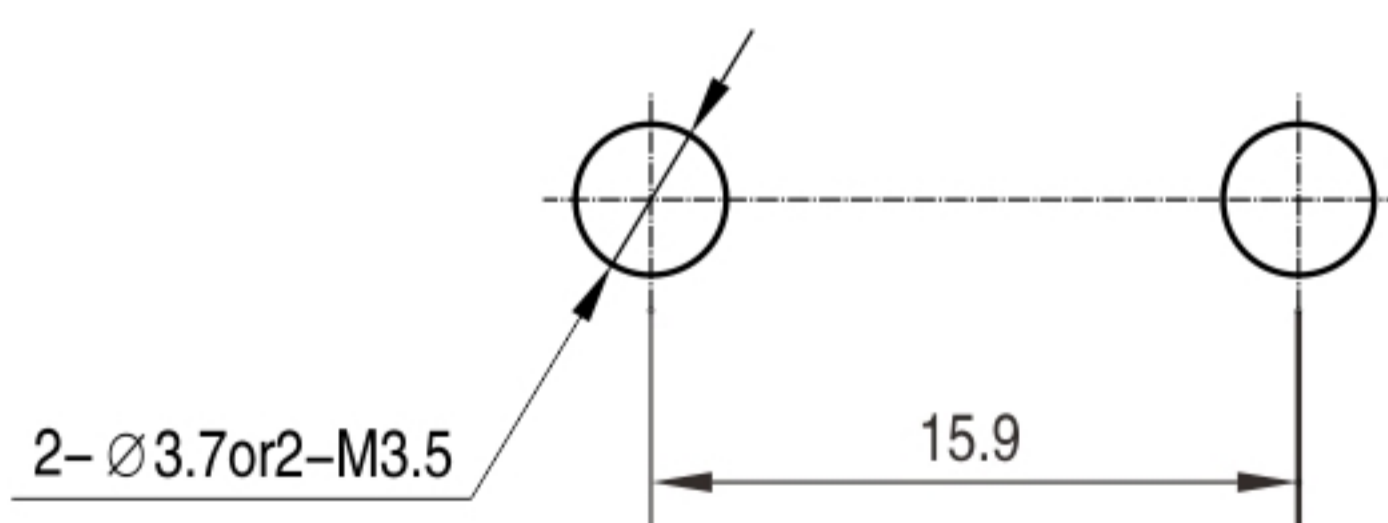


- 1: KW4A微動開關      KW4A Micro switch
- 2: 按鈕                      Plunger
- 3: 密封圈                    Hermetic loop
- 4: 外殼                        Case
- 5: 熱熔膠                    Hot melt adhesive
- 6: 護套綫                    Sheathed wire

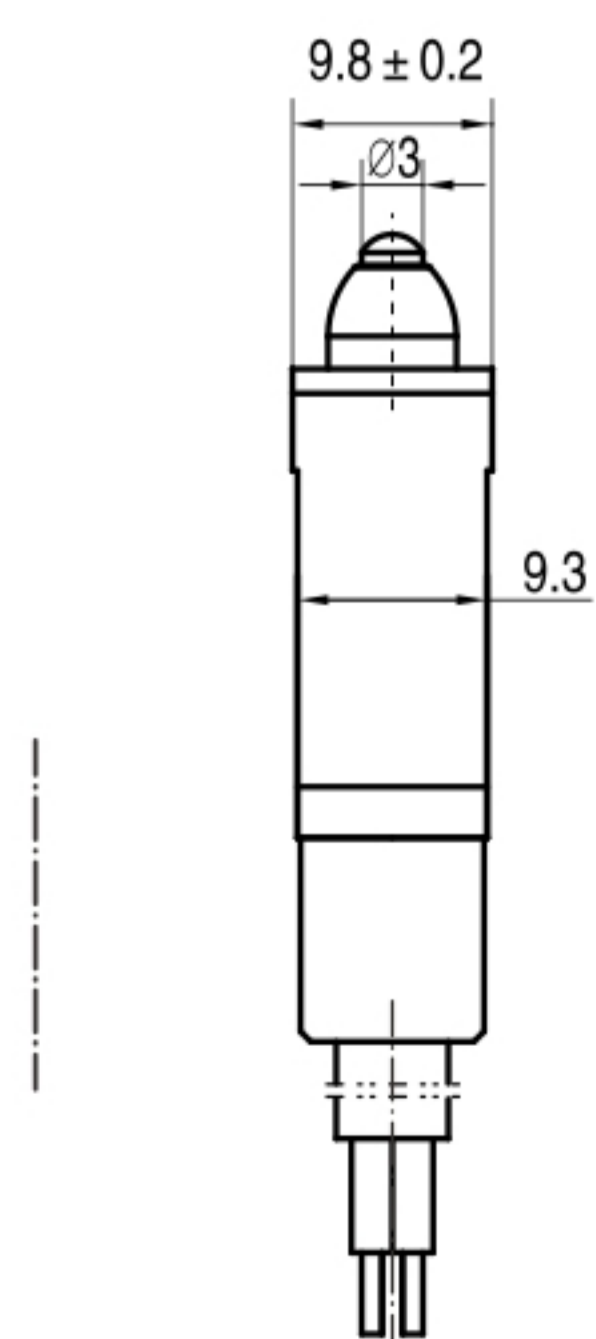
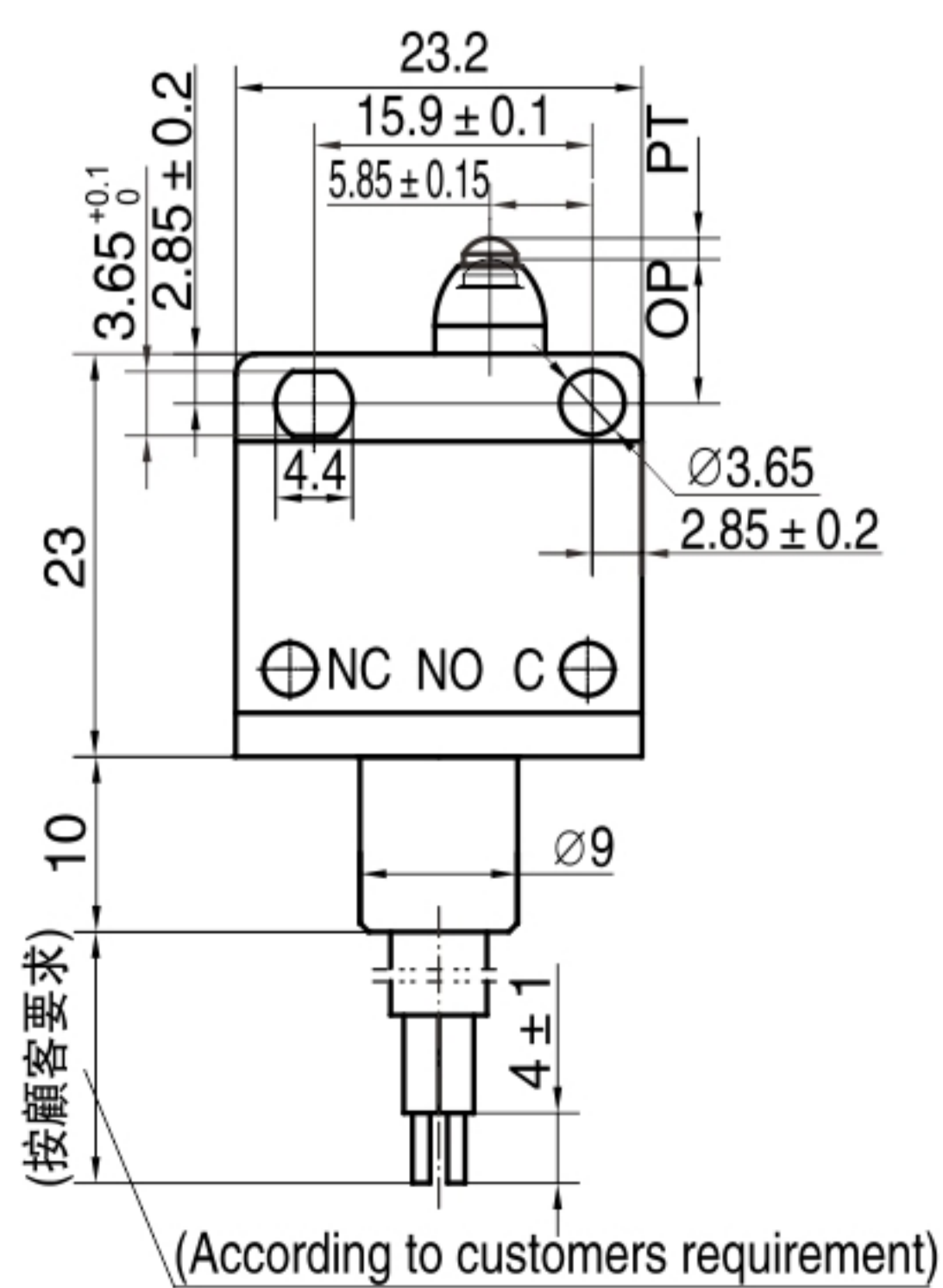
◆ 接觸形式說明圖 Circuit illustration

常閉式 SPST-NC	常開式 SPST-NO

◆ 安裝孔尺寸 Mounting hole dimension



◆ 外形尺寸和動作特性 Dimensions and operating characteristics



OF Max(N)	2.00
RF Min(N)	0.50
PT Max(mm)	0.8
OT Min(mm)	0.8
MD Max(mm)	0.2
OP (mm)	8.4 ± 0.5

To provide a safe and reliable on-off service, let electric appliances more perfect

东南为你提供专业的开关解决方案

防水開關系列  
WATERPROOF SWITCH SERIES