

RS3型船形開關系列 Rocker Switch series

◆ 特點和用途 Characteristics and usage

- 多種轉換方式，多檔位。

Multiply conversion types, multi-action places.

- 多種接綫端子型式

A variety of contacts terminals

- 廣泛應用於家用電器、電子設備、自動化設備及類似設備。

Widely used in home appliances, electric equipments, automatization equipments and similar equipments.



◆ 技術特性 Technical Characteristics

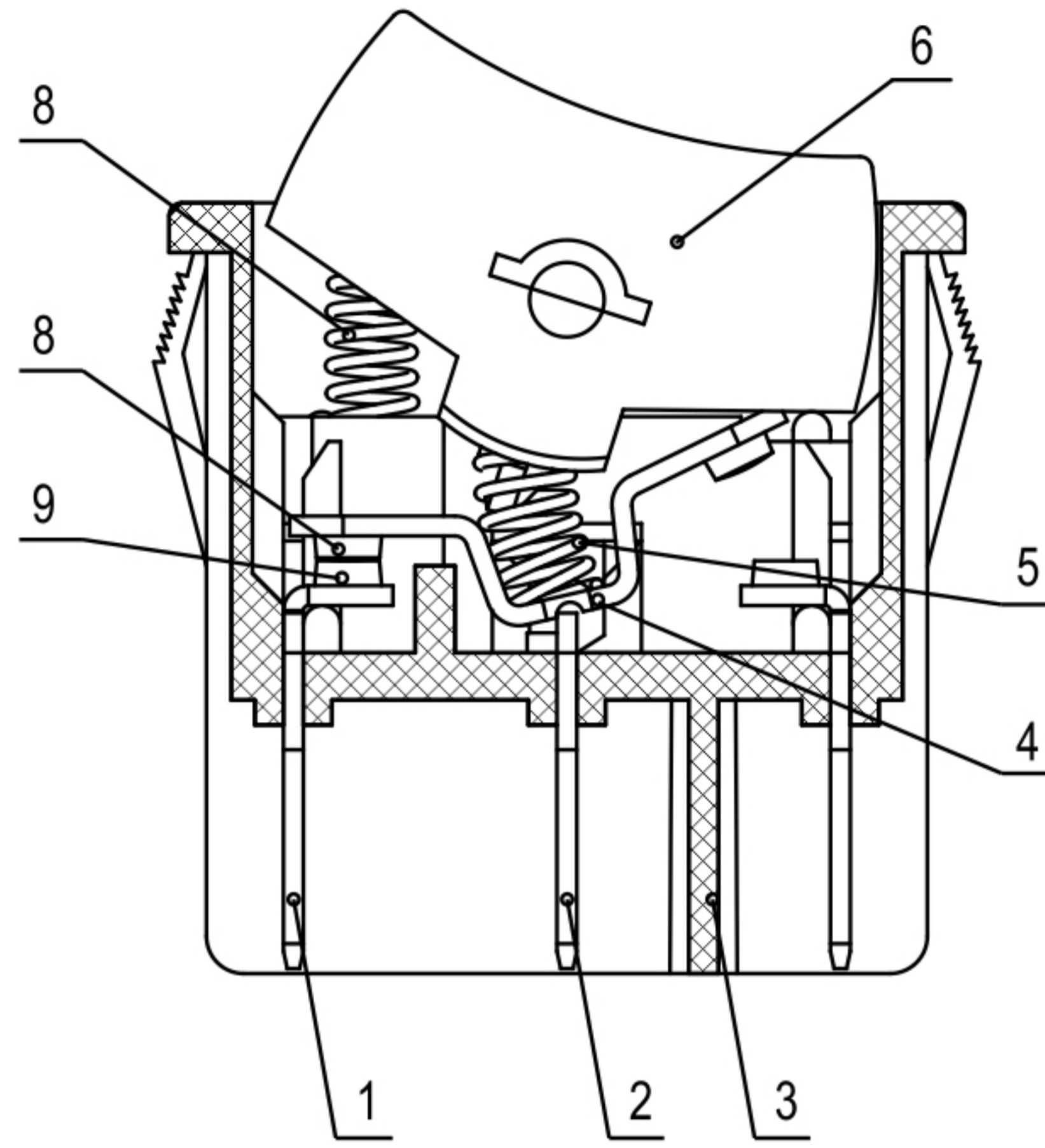
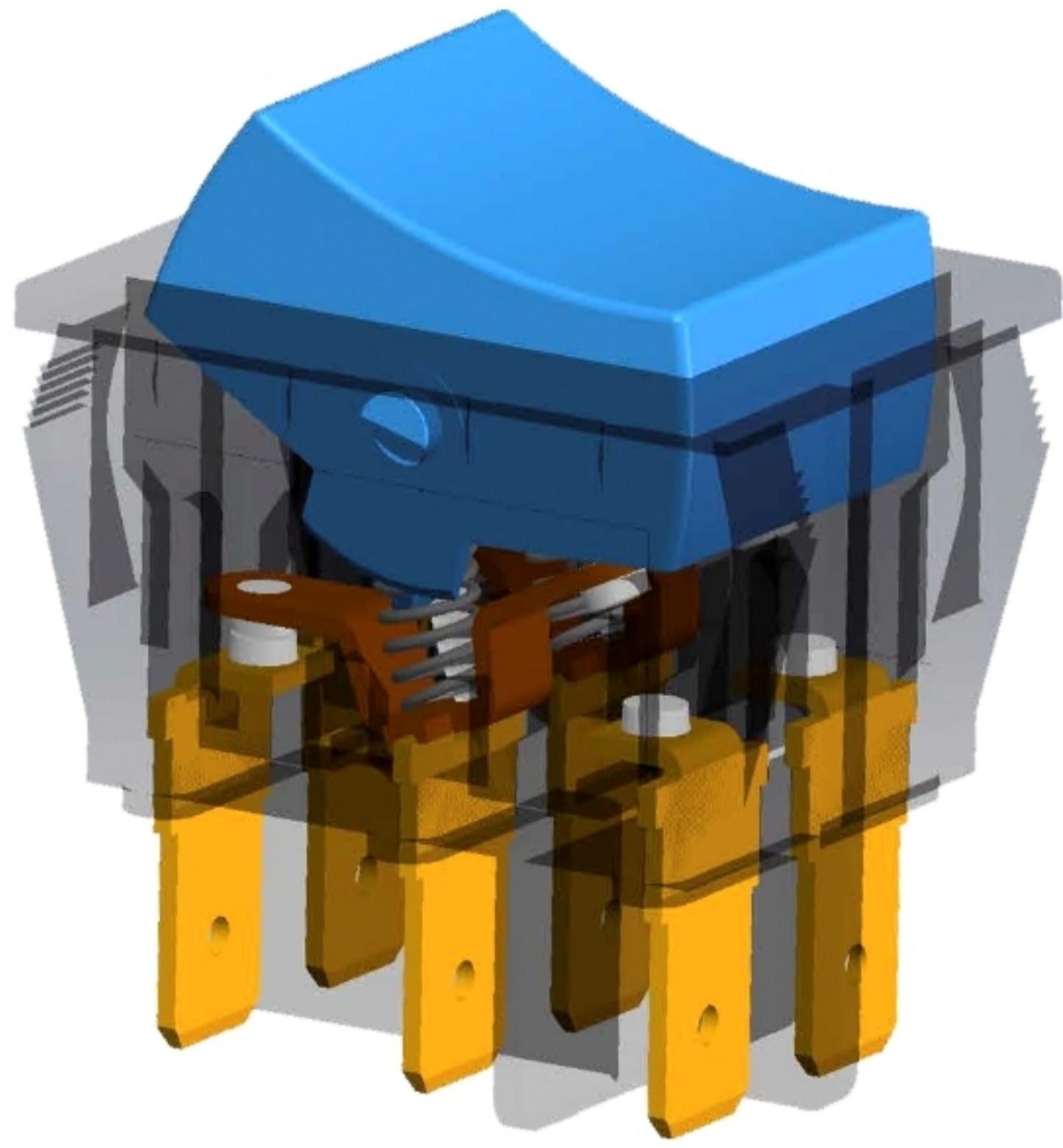
項目 Item	特性值 Value
溫度等級 Degrees of temperature	25T105, 25T125
額定值 Ratings	16(4)A 250VAC; 6GPA 125/250VAC; 3/4hp 250VAC
動作力 Operating force	5.5 ~ 8.5N
工作頻率 Operating frequency	機械 60次/min; 電氣 25次/min Mechanical 60 cycles/min; Electrical 25cycles/min
絕緣電阻 Insulation resistance	$\geq 100M\Omega$ (500VDC)
接觸電阻 Contact resistance	$\leq 50m\Omega$ (初始值Initial value)
耐電壓 Test voltage	同極不相接端子間 Between each terminals of the same polarity
	帶電金屬零件與地(外殼)之間、接綫端與不帶電金屬件之間 Between current-carrying metal parts and ground(case), and between each terminal and non-current-carrying metal parts.
抗振動 Vibration resistance	10 ~ 55Hz, 1.5mm雙振幅 Double amplitude
電氣壽命 Electrical life	50,000次/cycles
安全認證 Safety approvals	UL、CUL、ENEC

◆ 型號規格命名及含義 Model number legend and meanings

RS 3 - □ □ □ □ □ - □
1 2 3 4 5 6

<p>1 轉換方式 conversion type</p>	<p>A: ON-OFF自復位至OFF B: ON-OFF自復位至ON C: ON-OFF D: ON-ON自復位 E: ON-ON</p> <p>A: ON-OFF automatic reset to OFF B: ON-OFF automatic reset to ON C: ON-OFF D: ON-ON automatic reset E: ON-ON (見說明圖See illustration)</p>	<p>4 按鈕顏色 button color</p>	<p>B:黑色black</p>
<p>2 端子類型 terminal types</p>	<p>0:焊接端子Solder terminal 1:250#快接端子(t 0.8) 250Quick-connect terminal 2:187#快接端子(t 0.8) 187Quick-connect terminal 3:187#快接端子(t 0.5) 187Quick-connect terminal 4:PCB端子terminal 5:左彎PCB端子Left side PCB terminal 6:右彎PCB端子Right side PCB terminal 7:非標準端子Not standard terminal</p>	<p>5 外殼顏色 Case color</p>	<p>B:黑色black</p>
<p>3 按鈕標記 button mark</p>	<p>(見說明圖See illustration)</p>	<p>6 附加代號 Additional code</p>	<p>用01、02、03……表示。適用於： Shows as 01, 02, 03……Apply to: 1) 當開關使用了非標準零件如非標準端子時； When used not standard parts such as not standard terminal; 2) 當顧客有特殊要求時。 When customer has particular requirements. 在沒有附加代號時，該位置空缺。 If there is no additional numbers, the place is vacant.</p>

◆ 内部構造圖 Internal configuration drawing



1: 端子	Terminal
2: 支架	Support
3: 底座	Base
4: 可動片	Moving piece
5: 彈簧	Spring
6: 按鈕	Button
7: 復位彈簧	Reset spring
8: 電觸點	Contact
9: 電觸點	Contact

◆ 按鈕標記說明圖 Button mark illumination

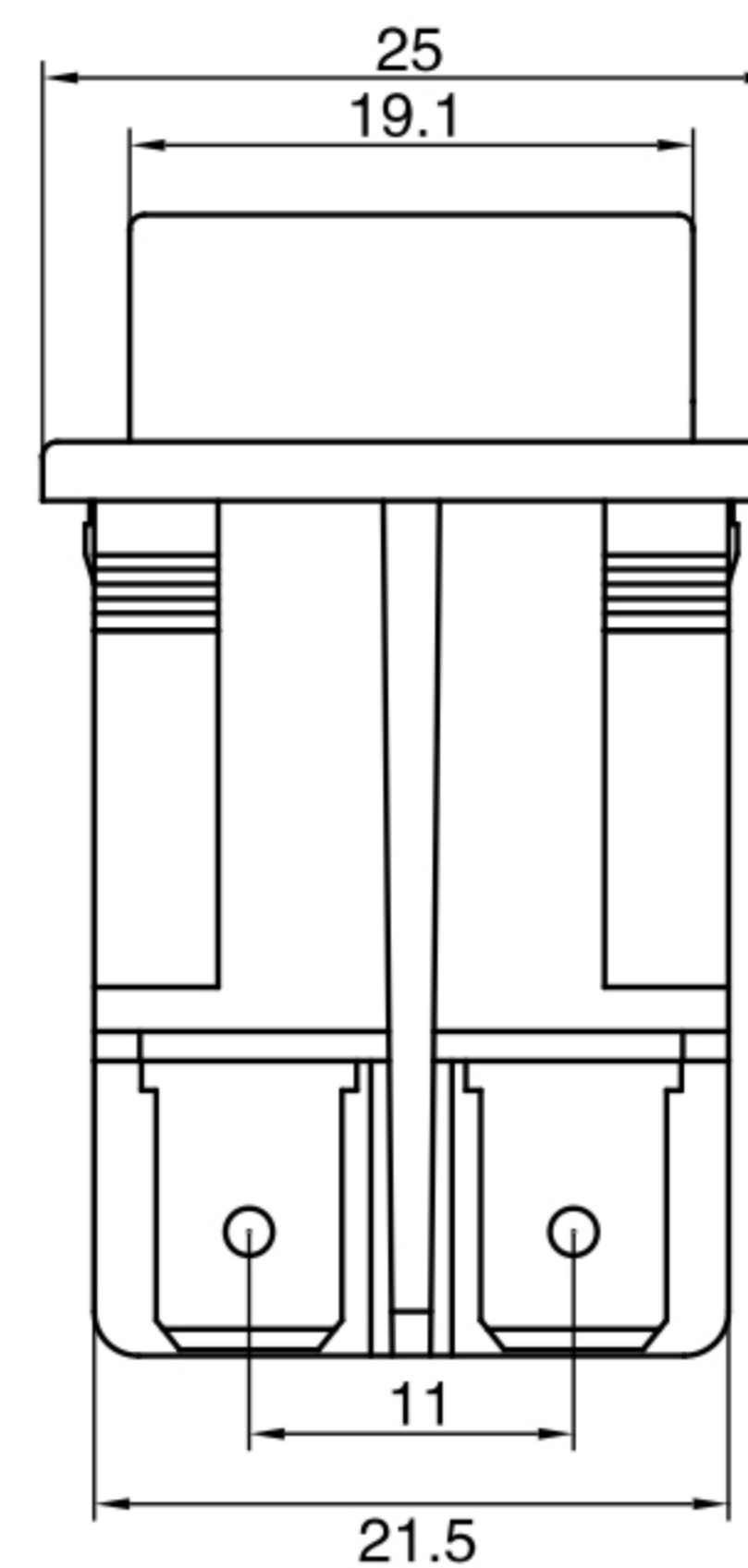
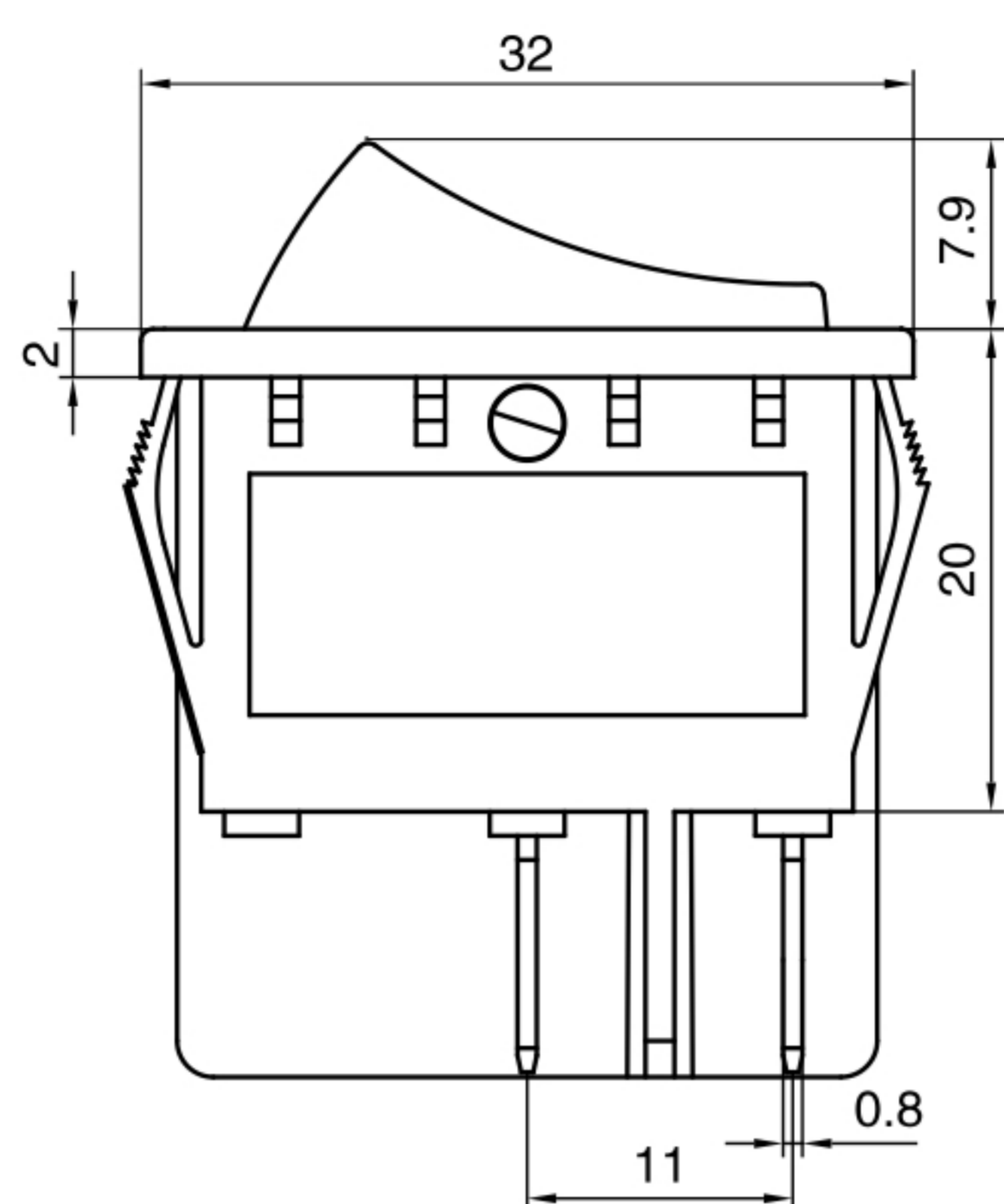
代號 Code	按鈕標記 Button mark	標記含義 Mark signification
0	無 None	
1		ON-OFF
2		ON-OFF
3		ON-OFF
4		ON-ON
5		ON-ON
6		ON-ON
7		ON-OFF

◆ 安裝板開孔尺寸 Panel hole dimension

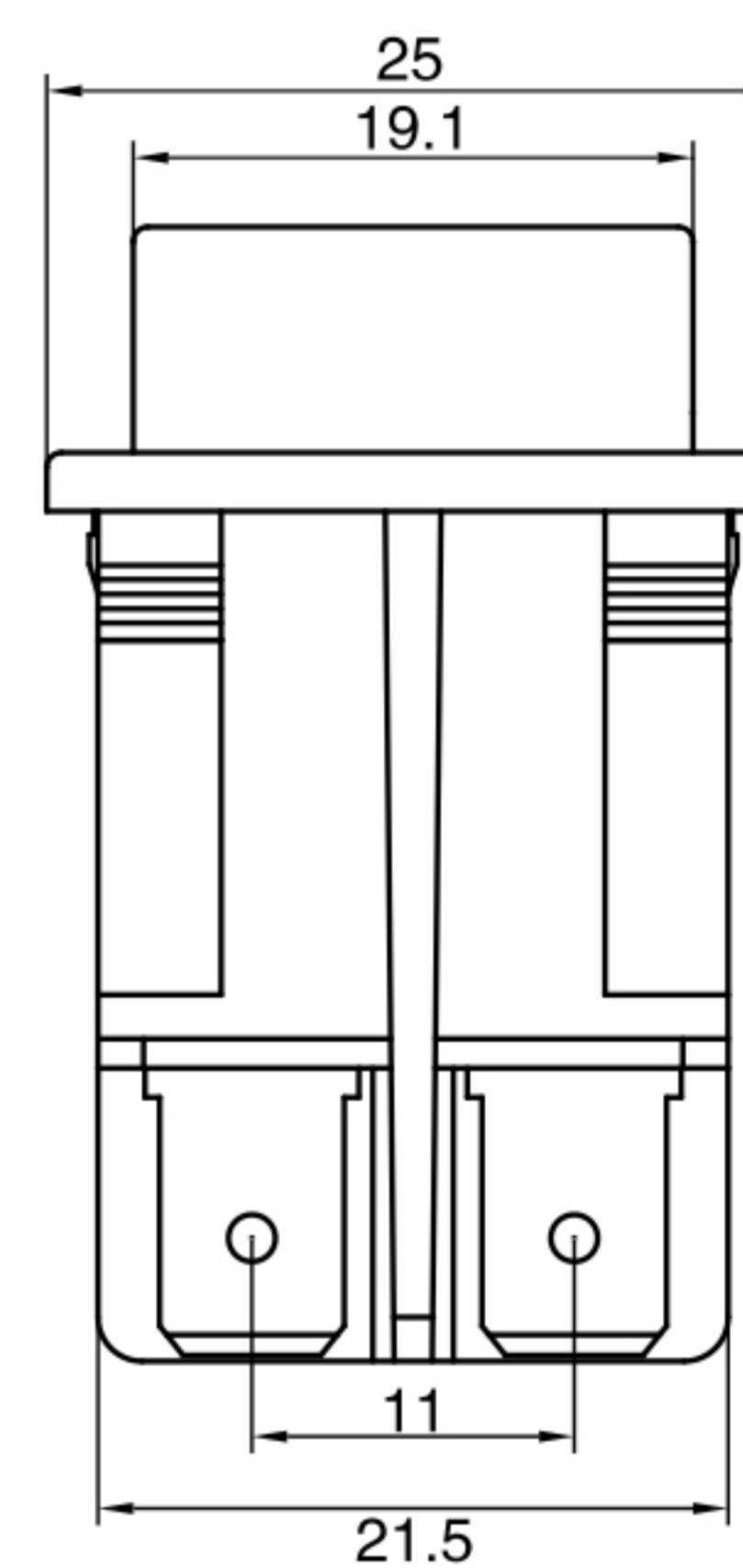
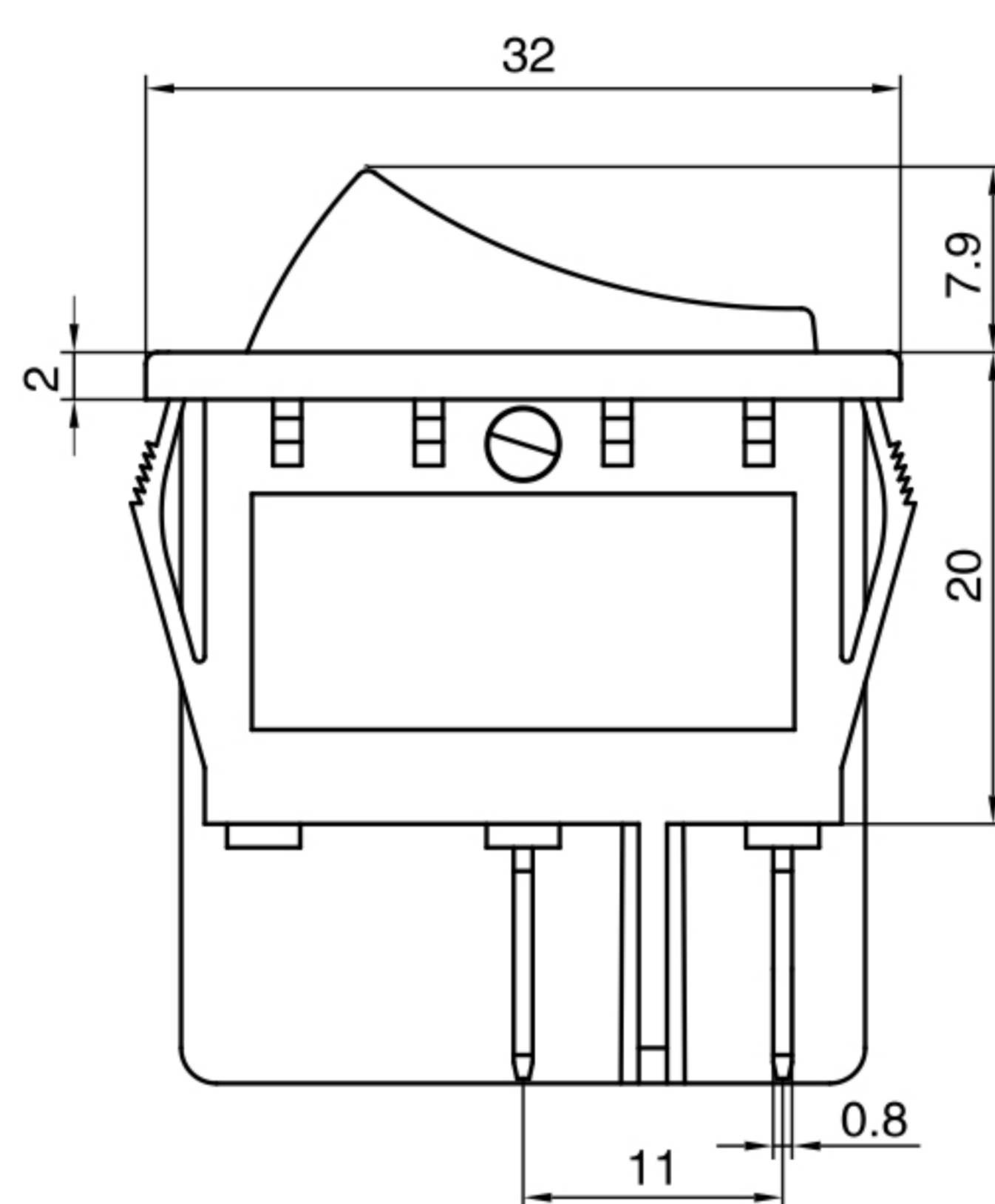
	面板厚度 Panel thickness	A
	0.75-1.25	30.1
	> 1.25-2.0	30.2
	> 2.0-3.0	30.3

◆ 外形特徵圖 Outline characteristics drawing

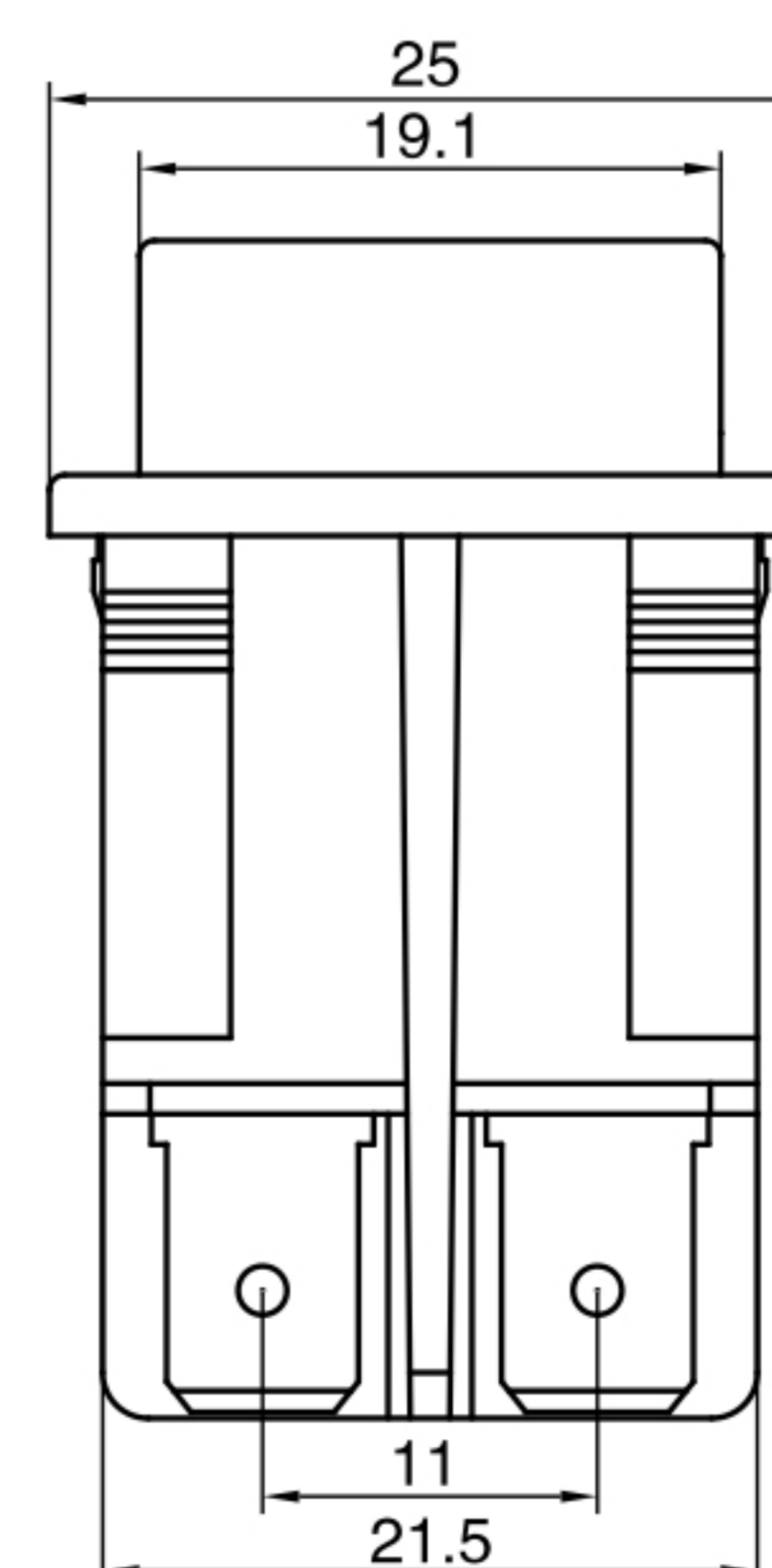
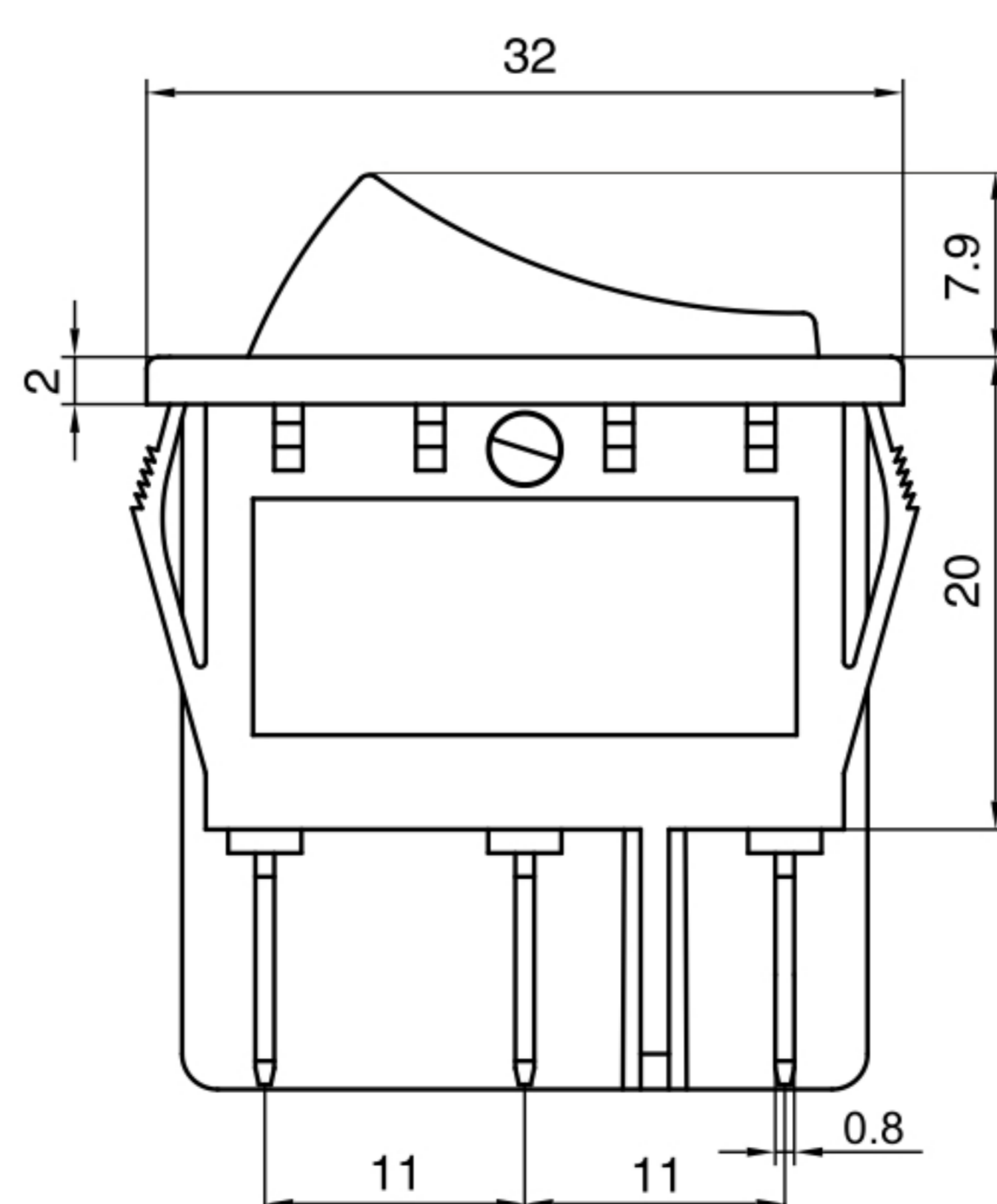
RS3-B21BB



RS3-C20BB



RS3-D20BB



To provide a safe and reliable on-off service, let electric appliances more perfect