

## RS2型船形開關系列 Rocker switch series

### ◆ 特點和用途 Characteristics and usage

- 多種轉換方式，多檔位。  
Multiply conversion types, multi-action places.
- 多種接綫端子型式  
A variety of contacts terminals
- 廣泛應用於家用電器、電子設備、自動化設備及類似設備。  
Widely used in home appliances, electric equipments, automatization equipments and similar equipments.



### ◆ 技術特性 Technical Characteristics

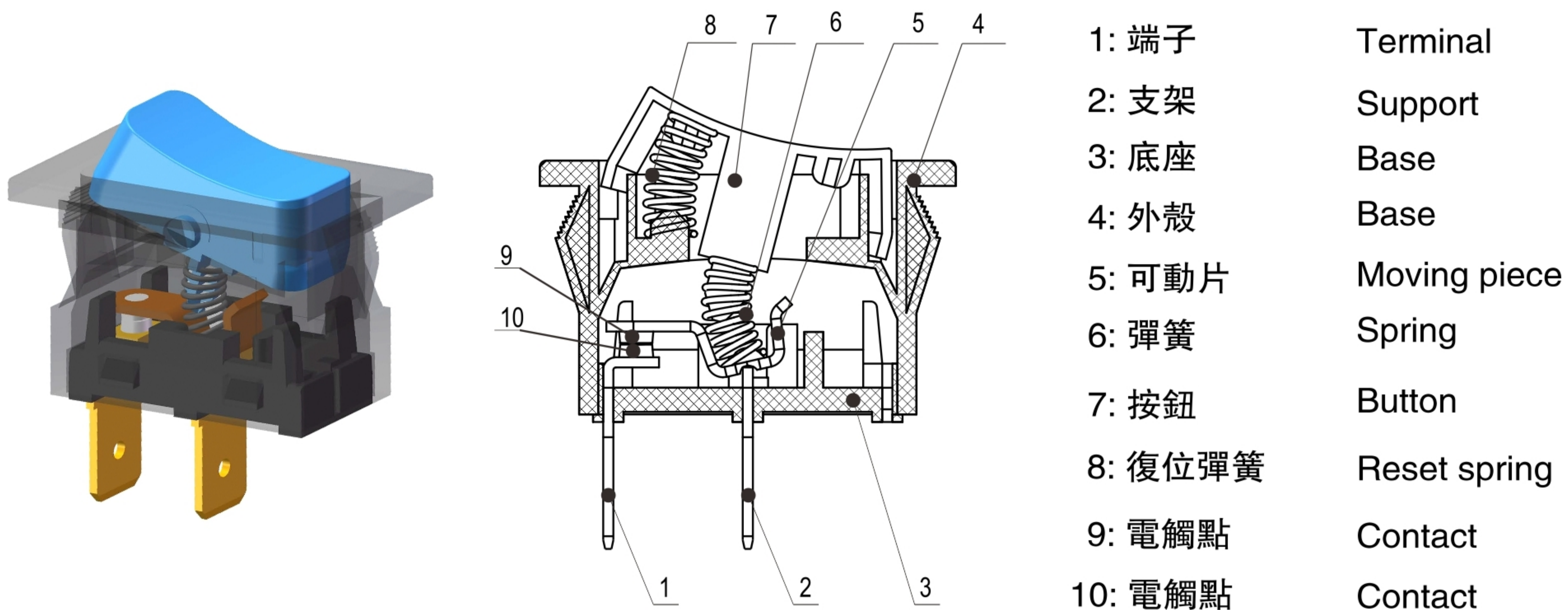
項目 Item		特性值 Value
溫度等級 Degrees of temperature		25T105, 25T125
額定值 Ratings		10(8)A 125/250VAC; 16GPA 125/250VAC ; 1/2hp 125/250VAC
動作力 Operating force		5.5 ~ 8.5N
工作頻率 Operating frequency		機械 60次/min; 電氣 25次/min Mechanical 60 cycles/min; Electrical 25cycles/min
絕緣電阻 Insulation resistance		≥100MΩ (500VDC)
接觸電阻 Contact resistance		≤50mΩ (初始值Initial value)
耐電壓 Test voltage	同極不相接端子間 Between each terminals of the same polarity	AC1500V, 50/60Hz, 1min
	帶電金屬零件與地（外殼）之間、接綫端與不帶電金屬件之間 Between current-carrying metal parts and ground(case), and between each terminal and non-current-carrying metal parts.	AC1500V, 50/60Hz, 1min
抗振動 Vibration resistance		10 ~ 55Hz, 1.5mm雙振幅 Double amplitude
電氣壽命 Electrical life		50,000次/cycles
安全認證 Safety approvals		UL、CUL、ENEC、DEMKO

## ◆ 型號規格命名及含義 Model number legend and meanings

RS2 - □ □ □ □ □ - □  
1 2 3 4 5 6

<p><b>1</b> 轉換方式 conversion type</p>	<p>A: ON-OFF自復位至OFF B: ON-OFF自復位至ON C: ON-OFF D: ON-ON自復位 E: ON-ON</p> <p>A: ON-OFF automatic reset to OFF B: ON-OFF automatic reset to ON C: ON-OFF D: ON-ON automatic reset E: ON-ON (見說明圖See illustration)</p>	<p><b>4</b> 按鈕顏色 button color</p>	<p>B:黑色black</p>
<p><b>2</b> 端子類型 terminal types</p>	<p>0:焊接端子Solder terminal 1:250#快接端子(t 0.8) 250Quick-connect terminal 2:187#快接端子(t 0.8) 187Quick-connect terminal 3:187#快接端子(t 0.5) 187Quick-connect terminal 4:PCB端子terminal 5:左彎PCB端子Left side PCB terminal 6:右彎PCB端子Right side PCB terminal 7:非標準端子Not standard terminal</p>	<p><b>5</b> 外殼顏色 Case color</p>	<p>B:黑色black</p>
<p><b>3</b> 按鈕標記 button mark</p>	<p>0~9 (見說明圖See illustration)</p>	<p><b>6</b> 附加代號 Additional code</p>	<p>用01、02、03……表示。適用於: Shows as 01, 02, 03……Apply to: 1) 當開關使用了非標準零件如非 標準端子時; When used not standard parts such as not standard terminal; 2) 當顧客有特殊要求時。 When customer has particular requirements. 在沒有附加代號時, 該位置空缺。 If there is no additional numbers, the place is vacant.</p>

## ◆ 内部構造圖 Internal configuration drawing



## ◆ 按鈕標記說明圖 Button mark illustration

代號 Code	按鈕標記 Button mark	標記含義 Mark signification
0	無 None	
1		ON-OFF
2		ON-OFF
3		ON-OFF
4		ON-ON
5		ON-ON
6		ON-ON
7		ON-OFF

## ◆ 安裝板開孔尺寸 Panel hole dimension

	面板厚度 Panel thickness	A
	0.75-1.25	27.4
	> 1.25-2.0	27.6
	> 2.0-3.0	27.8

## ◆ 外形特徵圖 Outline characteristics drawing

RS2-B20BB

