

PS9型按鈕開關系列 Button switch series

◆ 特點和用途 Characteristics and usage

- 壽命長、可靠性高、接觸穩定可靠；廣泛應用於家用電器、冰箱和照明等。

Long Life, high reliability, contact stability and reliability; widely used in home appliances, refrigerators and lighting and etc.

- 點接觸穩定可靠

Stable and reliable contact



◆ 技術特性 Technical Characteristics

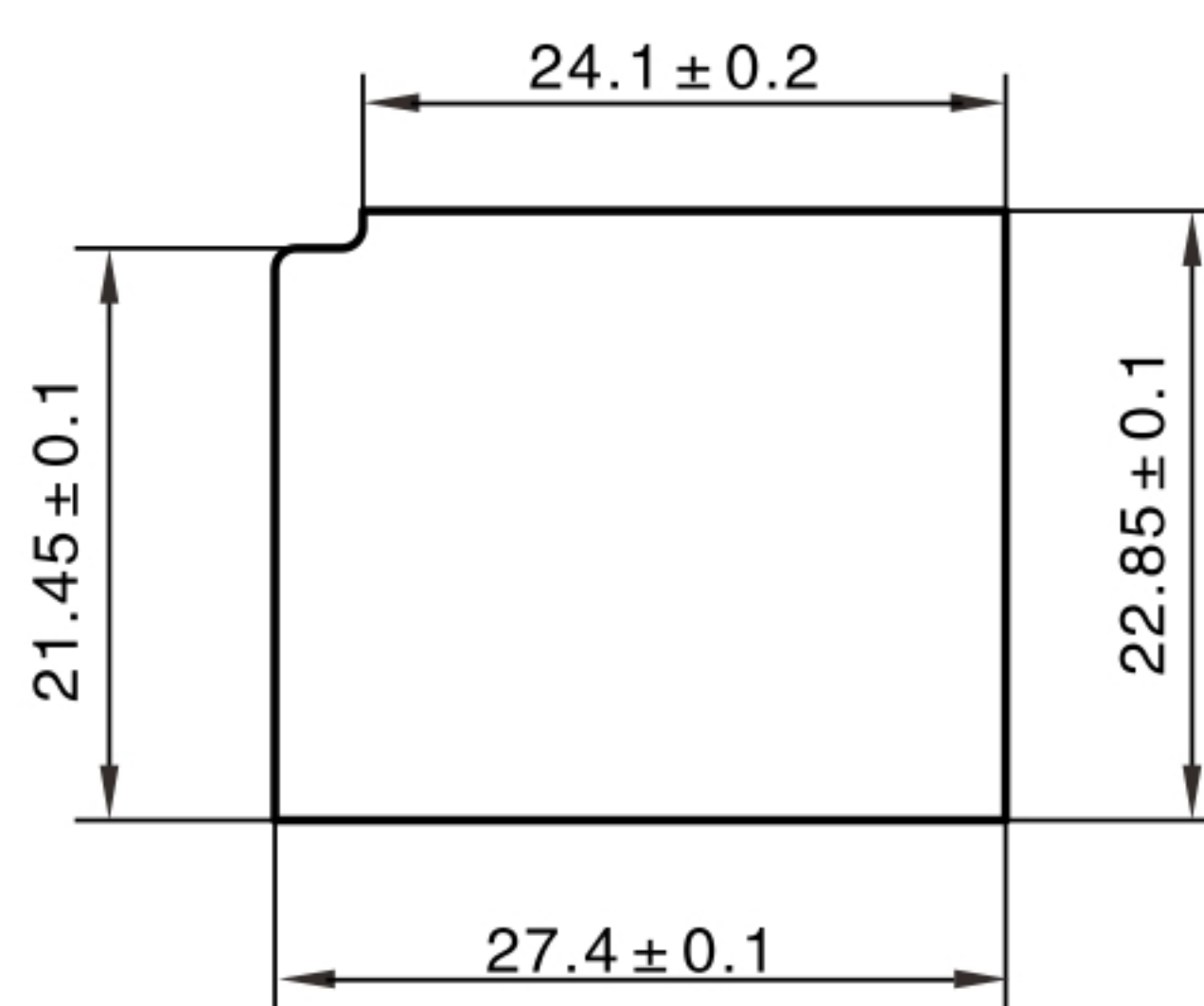
項目 Item	特性值 Value
環境溫度 Environment temperature	-40 ~ +85°C
工作速度 Operating speed	30 mm ~ 600mm/s
工作頻率 Operating frequency	機械 60次/min;電氣 15次/min Mechanical 60 cycles/min;Electrical 15 cycles/min
絕緣電阻 Insulation resistance	≥ 100MΩ (500VDC)
接觸電阻 Contact resistance	≤ 50mΩ
耐電壓 Test voltage	同極不相接端子間 Between terminals of the same polarity
	帶電金屬零件與地(外殼)之間、接綫端與不帶電金屬件之間 Between current-carrying metal parts and ground(case), and between each terminal and non-current-carrying metal parts.
抗振動 Vibration resistance	10 ~ 55Hz, 1.5mm 雙振幅 Double amplitude
抗衝擊 Shock resistance	耐久 Endurance: 1000m/s ² (約100G approx.100G)max 誤動作 Wrong action:300m/s ² (約30G approx.30G)max
外殼防護等級 Cover protection degree	IEC IP54
電氣壽命 Electrical Life	≥ 50,000次; cycles
機械壽命 Mechanical Life	≥ 500,000次; cycles

◆ 型號規格命名及含義 Model number legend and meanings

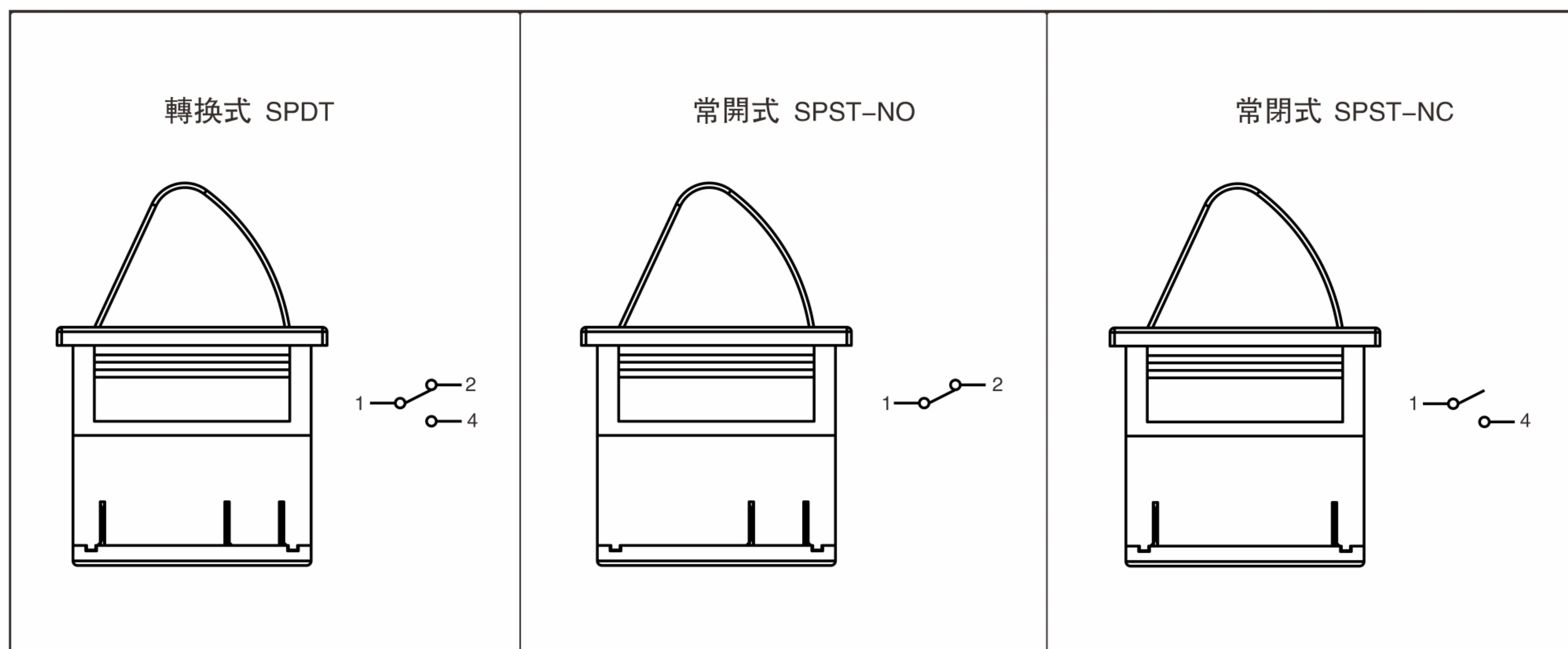
PS9 - □ □ - (□)
 1 2 3

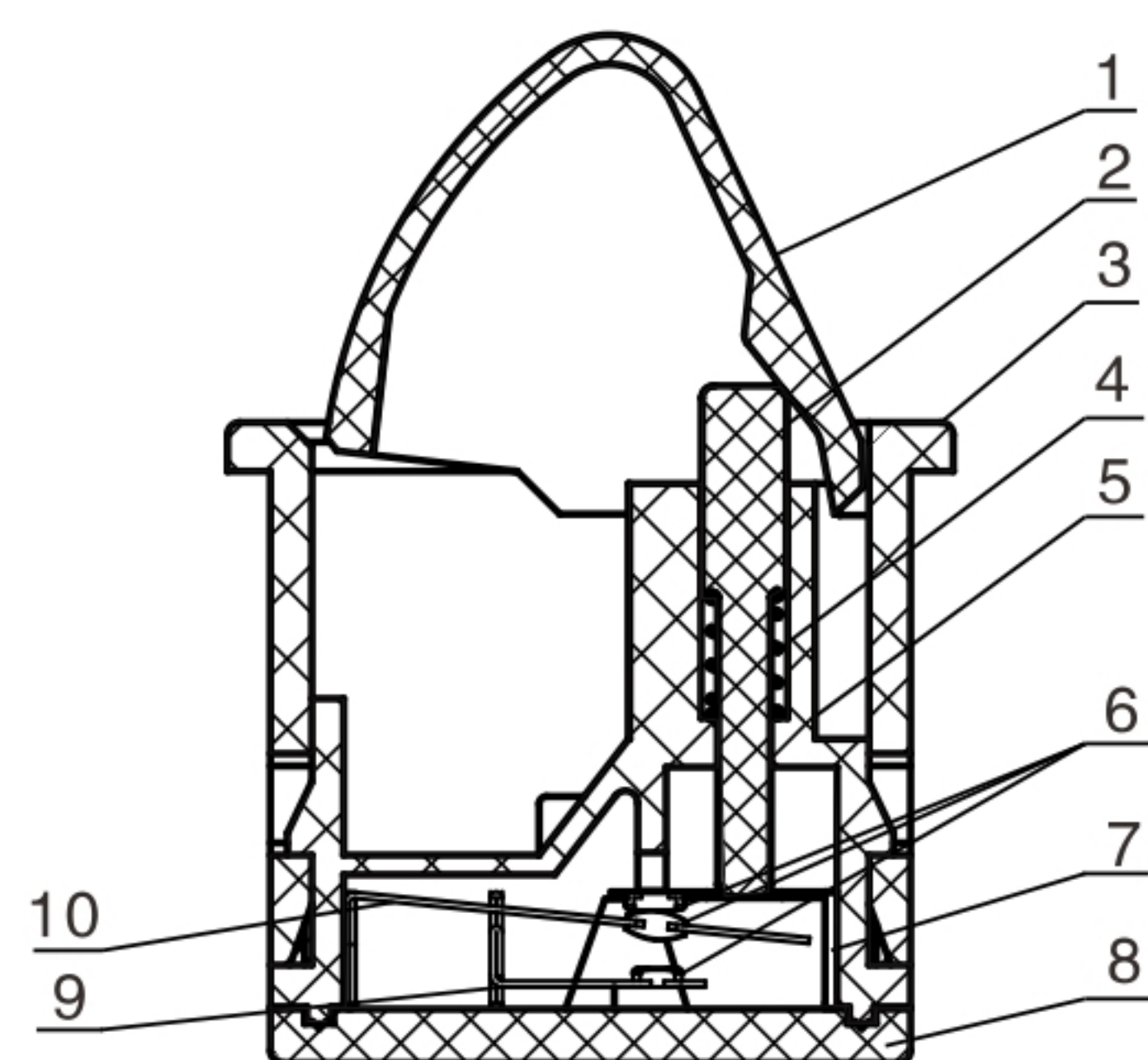
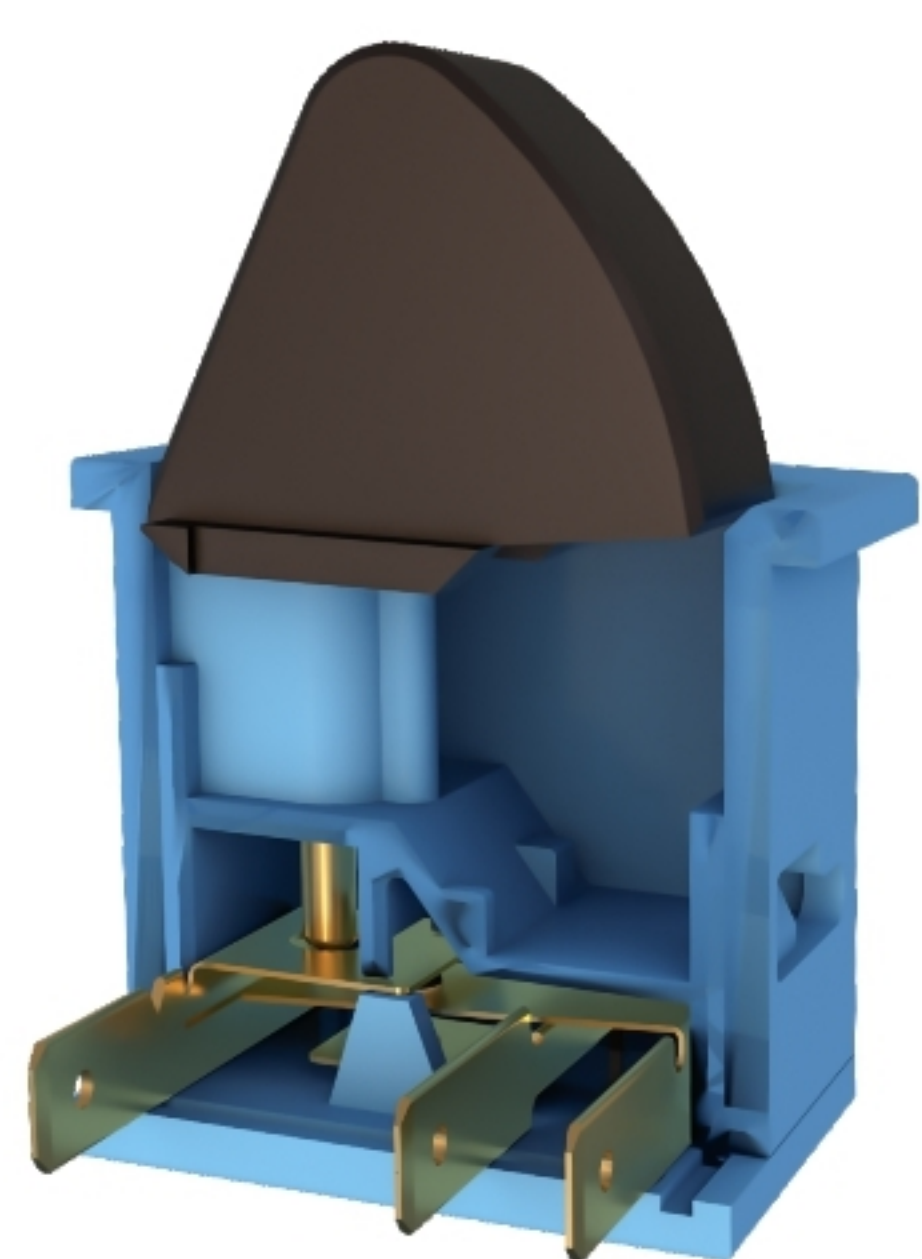
1 接觸形式 Circuit	Z:轉換式 SPDT D:常閉(按斷)式 SPST-NC
2 端子類型 Terminal types	1: 187快接端子187# Quick-connect terminal 2: 其它端子 Other terminals
3 附加規格代號 Additional specs code	特殊要求 (用兩位阿拉伯數字表示) Special Requirements (Shows as Arabic numerals or letters)

◆ 安裝孔尺寸 Mounting hole dimension



◆ 接觸形式說明圖 Circuit illustration

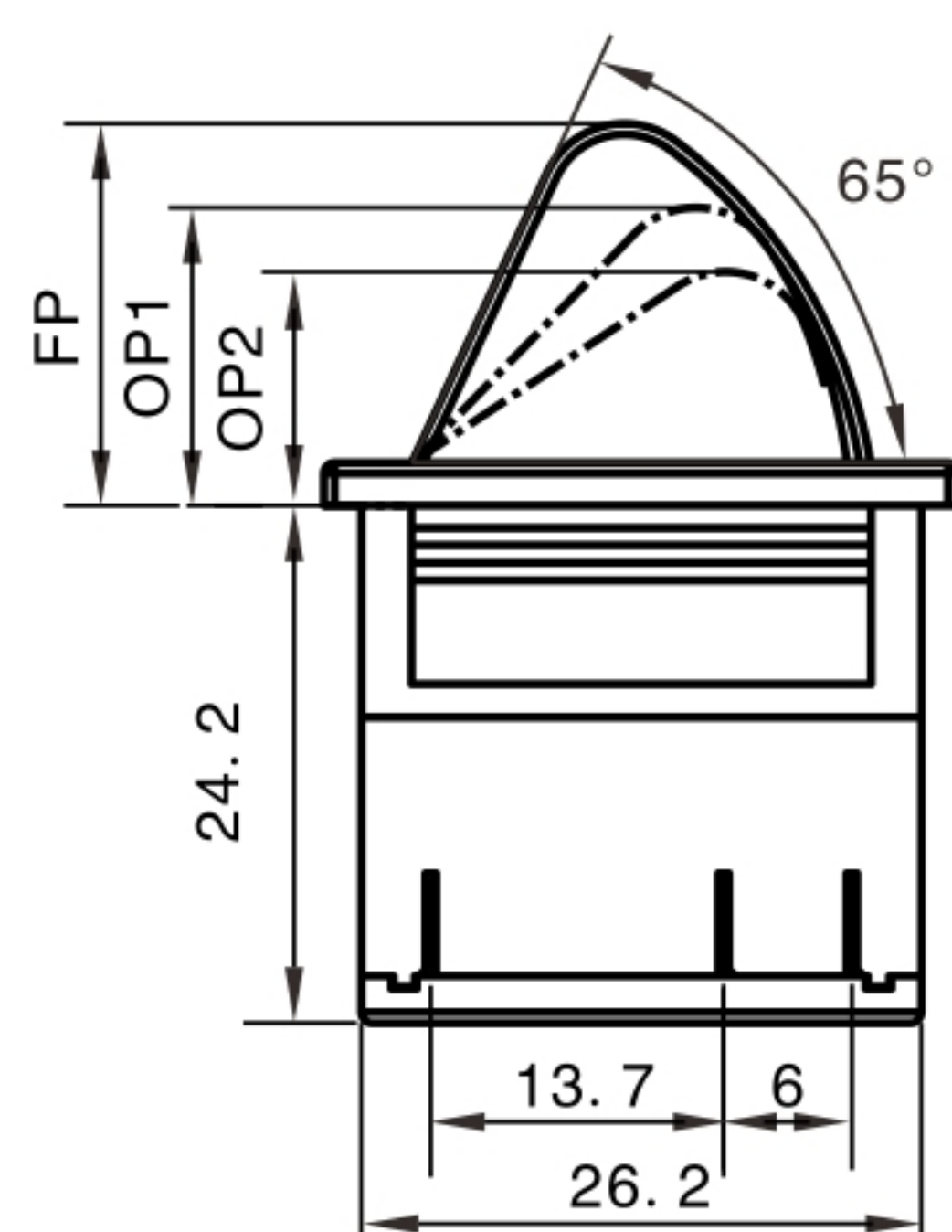
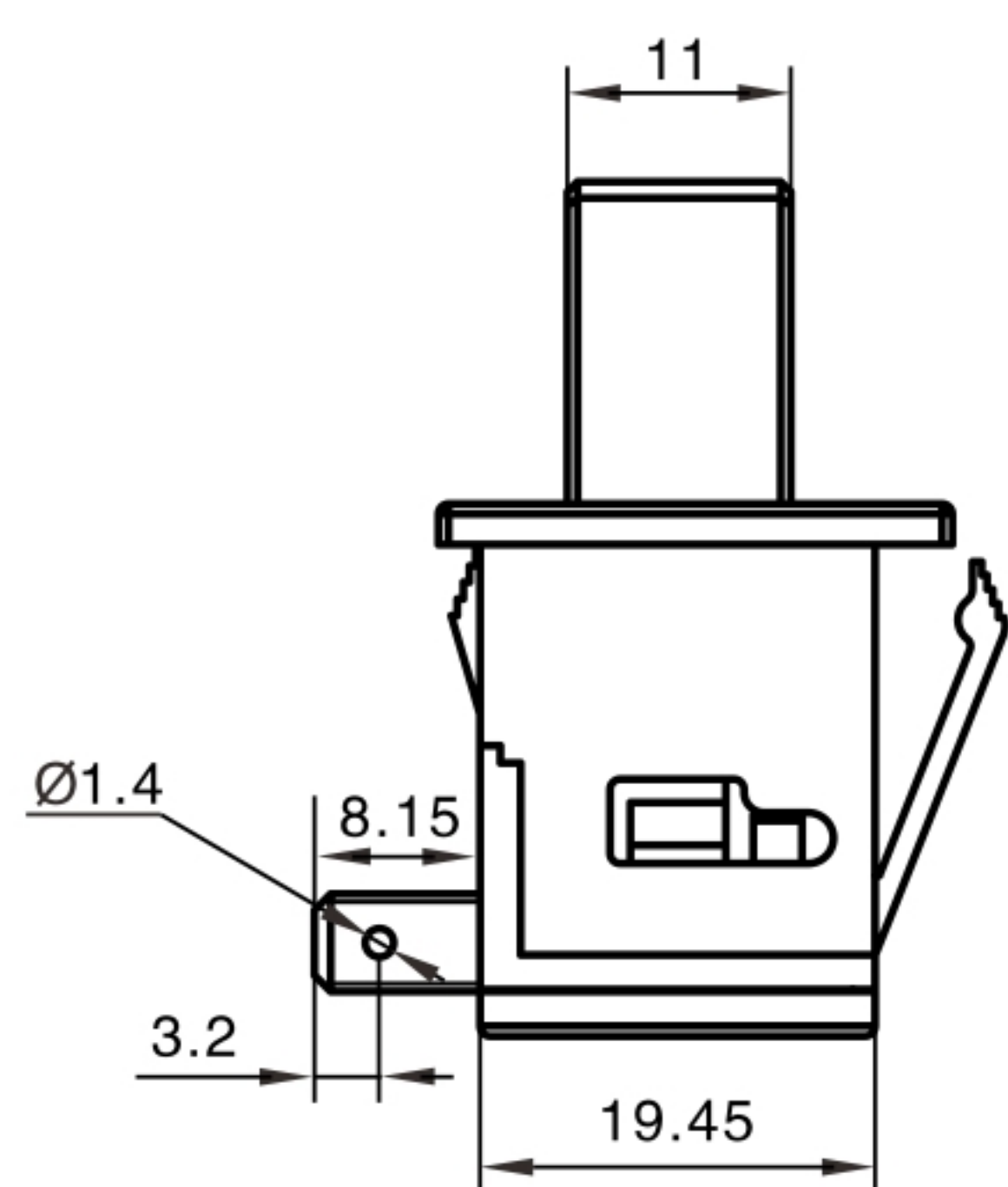




- | | |
|---------|--------------|
| 1: 按鈕 | Plunger |
| 2: 按鈕 | Plunger |
| 3: 外殼 | Cover |
| 4: 壓簧 | Spring |
| 5: 底座 | Case |
| 6: 電觸點 | Contact |
| 7: 常閉端子 | NC terminal |
| 8: 底蓋 | Bottom cap |
| 9: 常開端子 | NO terminal |
| 10: 可動片 | Moving piece |

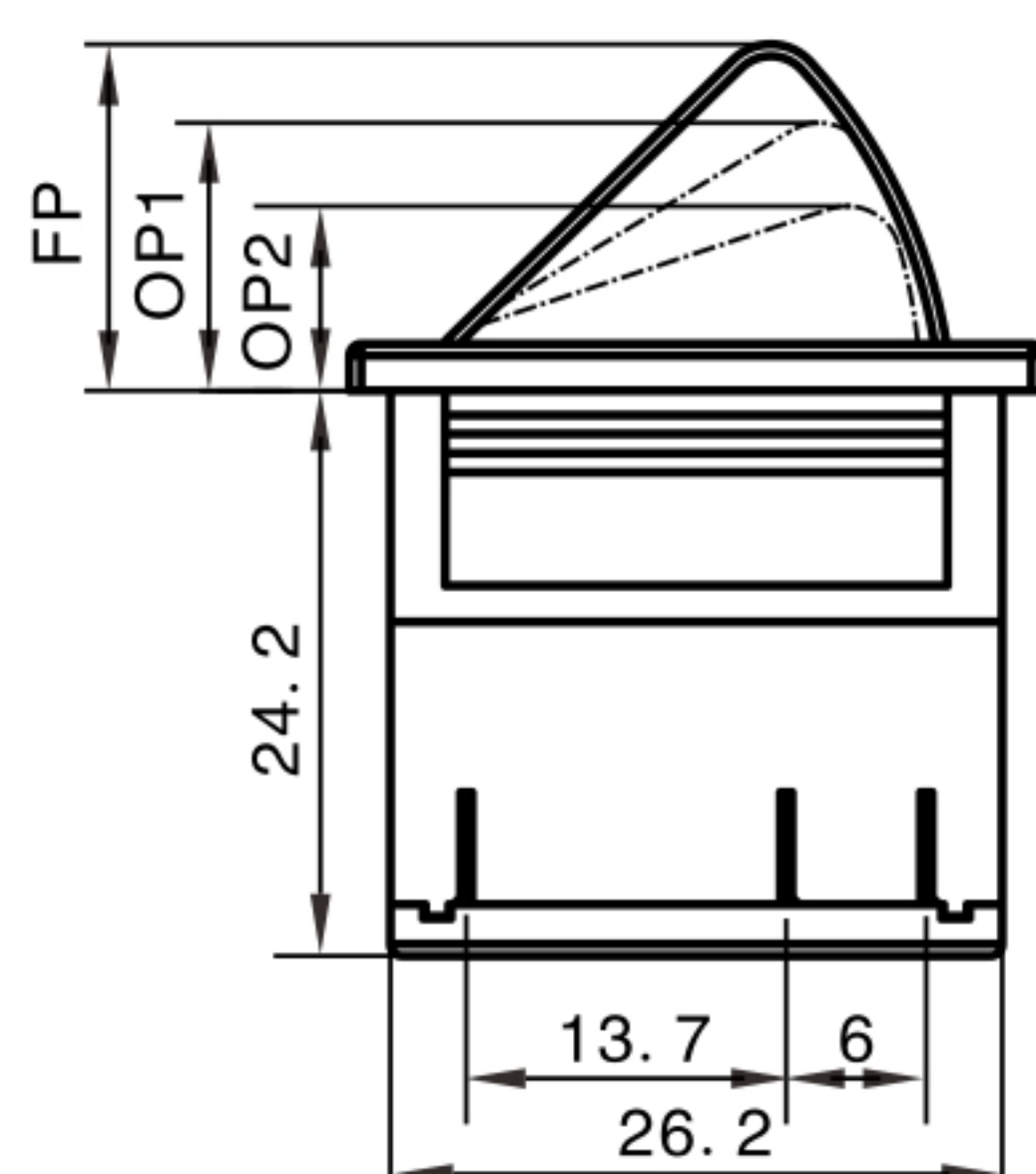
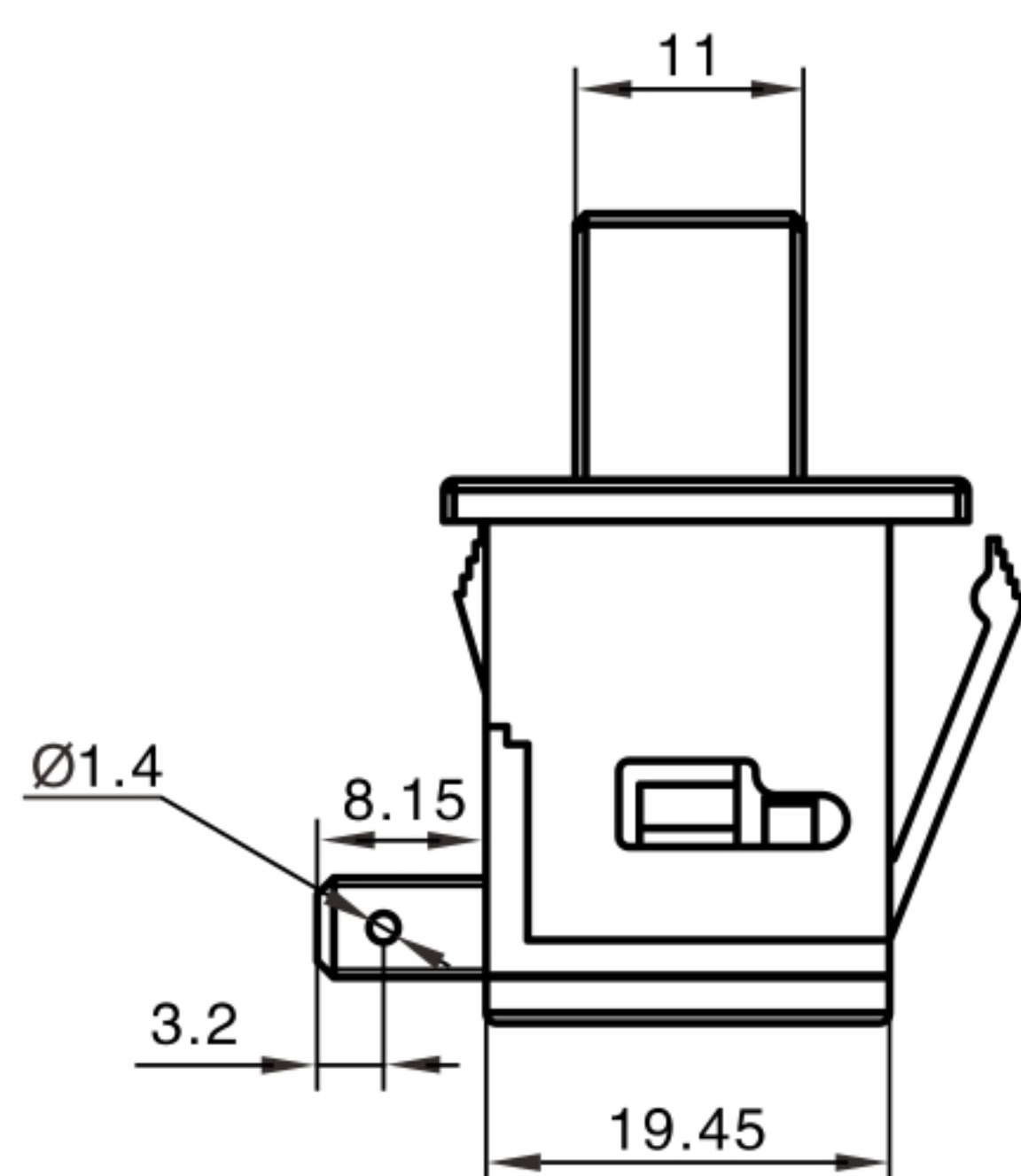
◆ 外形尺寸和動作特性 Dimensions and operating characteristics

PS9-Z1-02
(A型按鈕,標準款 Plunger type A ,standard type)



參數 Parameters	
FP Max(mm)	19.0
OP1 (mm)	14.0 ± 1.5
OF1 Max(N)	0.7
OP2 (mm)	11.0 ± 2.0
OF2 Max(N)	1.0

PS9-Z1-B
(B型按鈕 Plunger type B)



參數 Parameters	
FP Max(mm)	15.2
OP1 (mm)	11.5 ± 1.5
OF1 Max(N)	0.7
OP2 (mm)	8.0 ± 2.0
OF2 Max(N)	1.0