

PS8型按鈕開關系列 Button switch series

◆ 特點和用途 Characteristic and usage

- 結構簡單可靠，安裝方便，快速連接。
Simple and reliable structure, easy installation, quick connection.
- 具有不同的驅動杆，驅動方式靈活。
With different driving rod, flexible driving mode.
- 可進行多個開關的組合連接。
A combination of multiple switches can be connected.
- 用于各種燃氣竈具。
Used for all kinds of gas cooker.



◆ 技術特性 Specifications

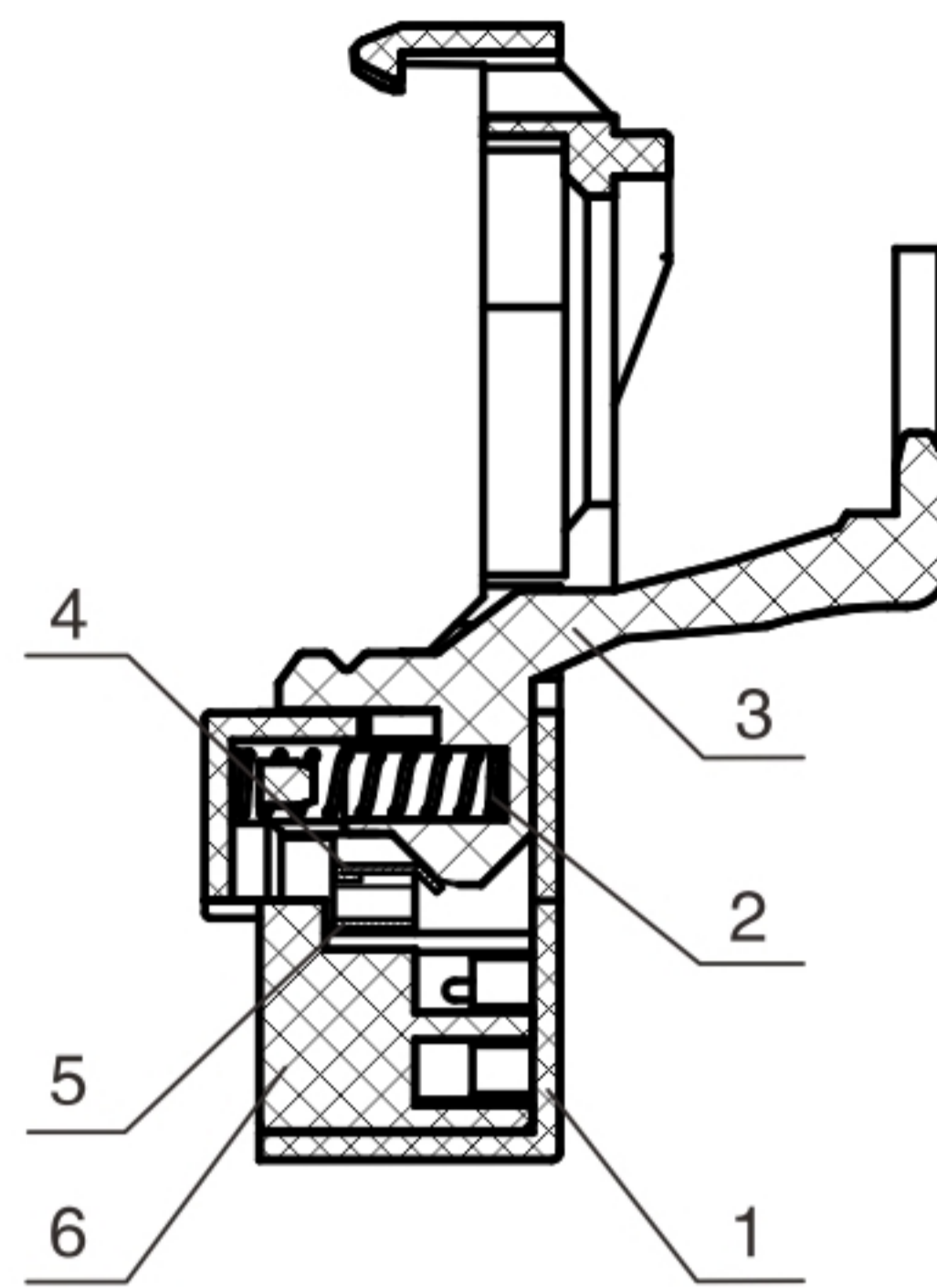
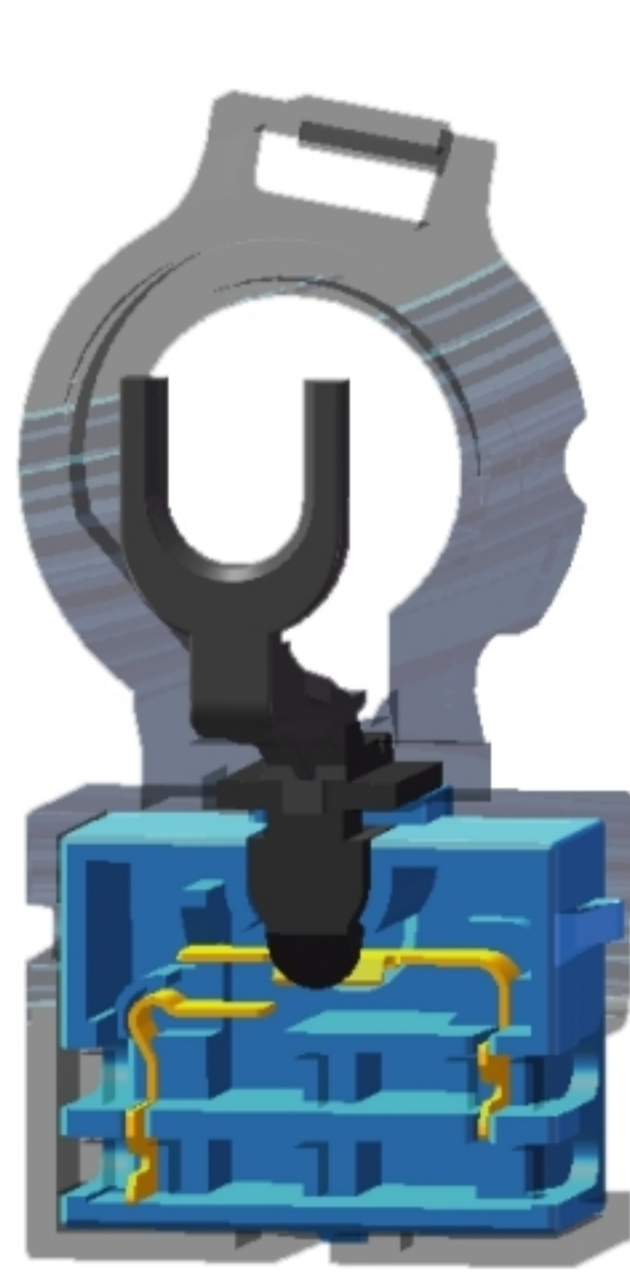
項目 Item	特性值 Value
溫度等級 Degree of temperature	T130
額定值 Rating	0.1A 250VAC μ
動作力 Operating force	8.5N max
絕緣電阻 Insulation resistance	≥ 100MΩ (500VDC)
接觸電阻 Contact resistance	≤ 5Ω
耐電壓 Test voltage	AC1500V ,50/60Hz,1min
壽命 Life	電氣 ≥ 50,000 次 Electrical ≥ 50,000cycles
安全認證 Safety approvals	TUV、CE、UL

◆ 型號規格命名及含義 Model number legend and meanings

PS8 - □ - (□)
1 2

1 外形特徵 Outline characteristic	A:U形推杆短卡扣 B:直形推杆短卡扣 C:U形推杆長卡扣 D:直形推杆長卡扣 A:U plunger short buckle B: Straight plunger short buckle C:U plunger long buckle D: Straight plunger long buckle (見說明圖 See illuminations)	2 附加規格代號 Additional spec numbers	用兩位阿拉伯數字01、02……表示其與基本型有差別，或顧客有特殊要求。 With two Arabic numerals 01, 02... Indicates that it is different from the basic model, or the customer has special requirements.
--	--	---	---

◆ 内部構造圖 Internal configuration drawing



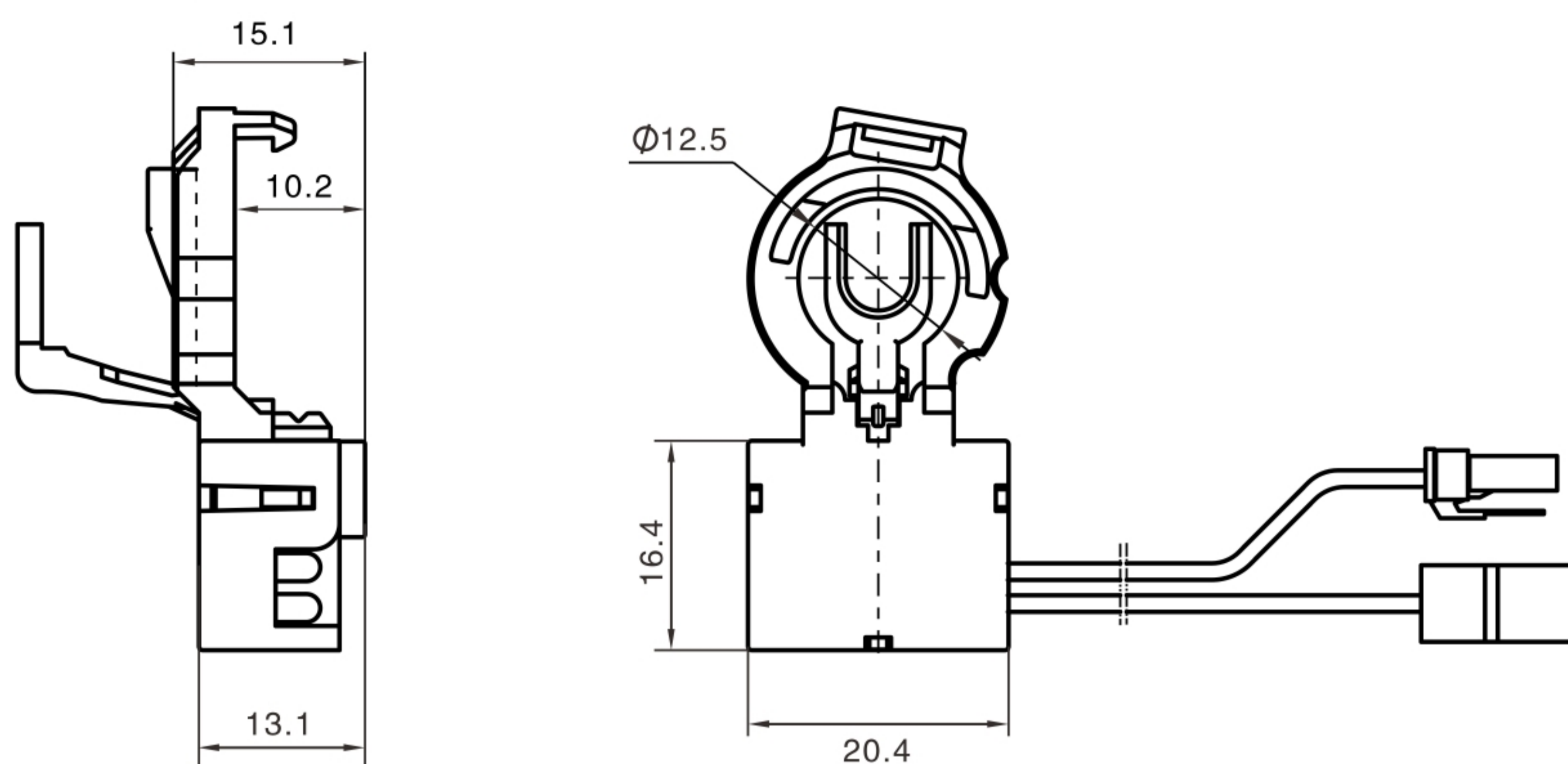
- | | |
|--------|--------------|
| 1: 蓋 | Base |
| 2: 彈簧 | Spring |
| 3: 推杆 | Plunger |
| 4: 可動片 | Moving piece |
| 5: 端子 | Terminal |
| 6: 底座 | Case |

◆ 外形特徵說明圖 Outline characteristic illustration

<p style="text-align: center;">A</p> <p style="text-align: center;">U形推杆短卡扣 U plunger short buckle</p>	
<p style="text-align: center;">B</p> <p style="text-align: center;">直形推杆短卡扣 Straight plunger short buckle</p>	
<p style="text-align: center;">C</p> <p style="text-align: center;">U形推杆長卡扣 U plunger long buckle</p>	
<p style="text-align: center;">D</p> <p style="text-align: center;">直形推杆長卡扣 Straight plunger long buckle</p>	

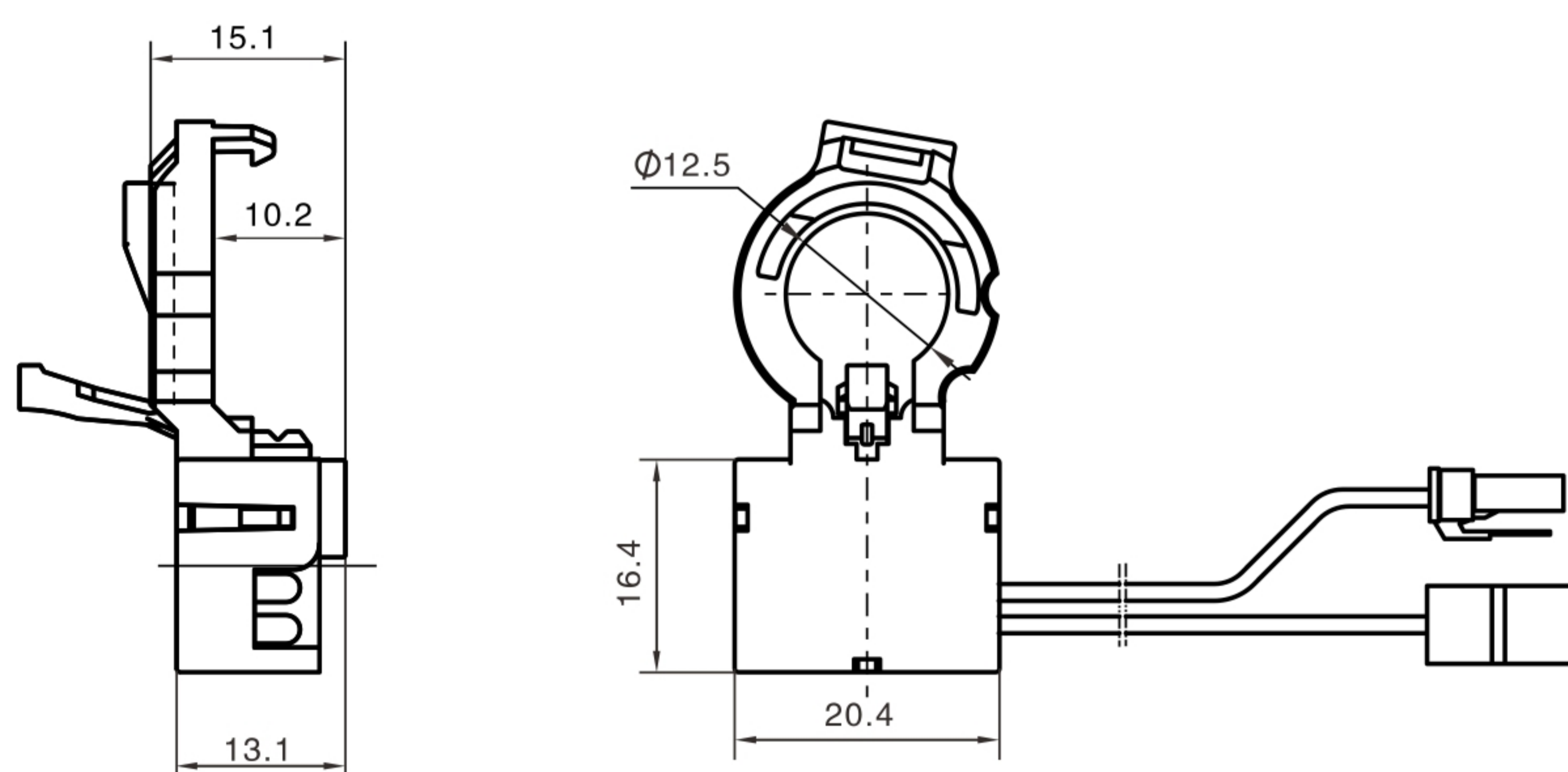
◆ 外形尺寸和動作特性 Dimensions and operating characteristics

PS8-A-□



型號 Model	PS8-A-□
OF Max(N)	8.5
OP(mm)	15.7 ± 0.5
FP Max(mm)	17 ± 0.2
TTP (mm)	14 ± 0.3

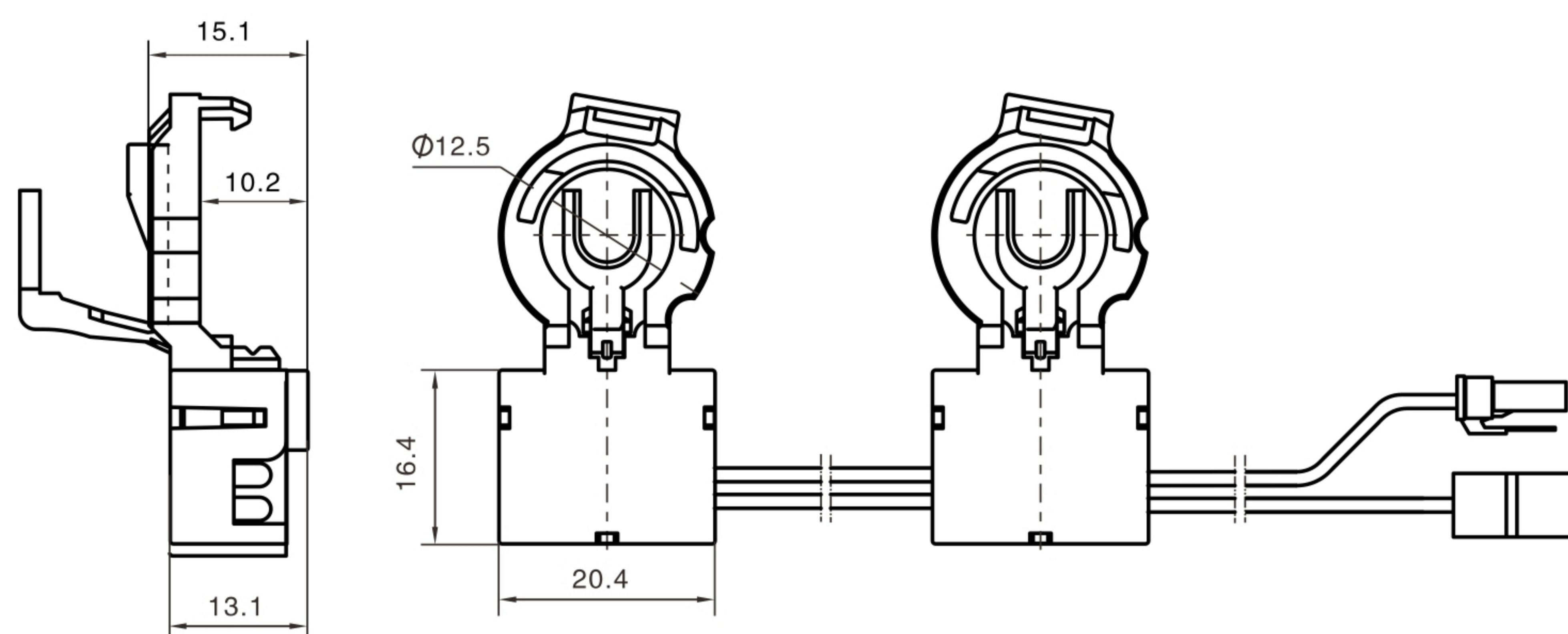
PS8-B-□



型號 Model	PS8-B-□
OF Max(N)	8.5
OP(mm)	13.8 ± 0.5
FP Max(mm)	15.7 ± 0.2
TTP (mm)	12 ± 0.3

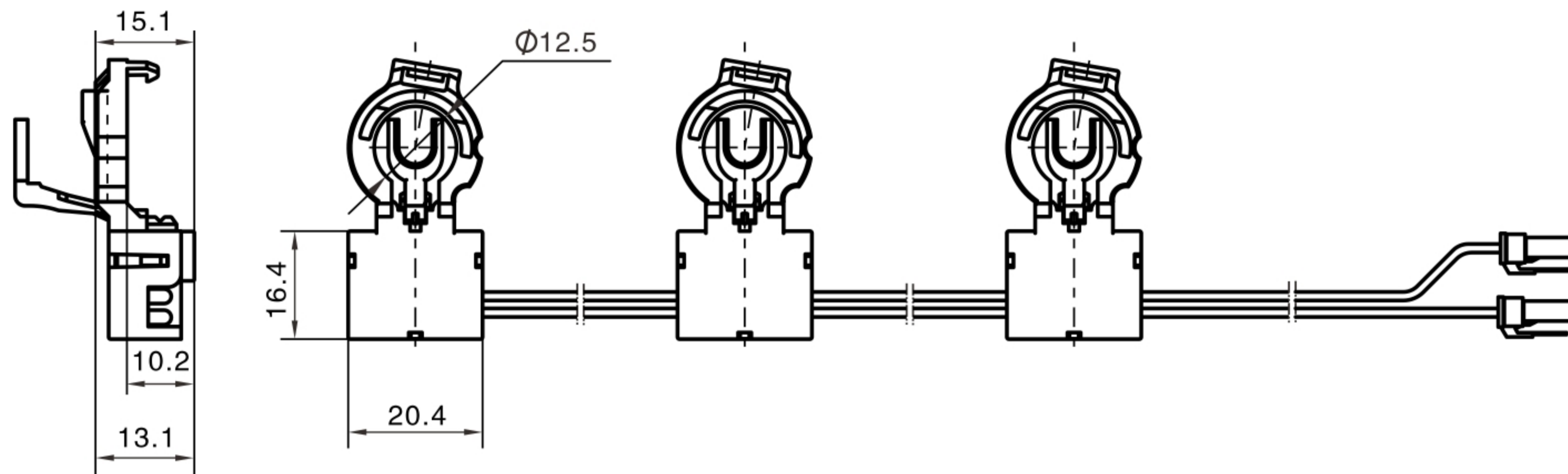
◆ 多聯開關外形尺寸 Multiple-switch dimensions

PS8/2-BG-□-□

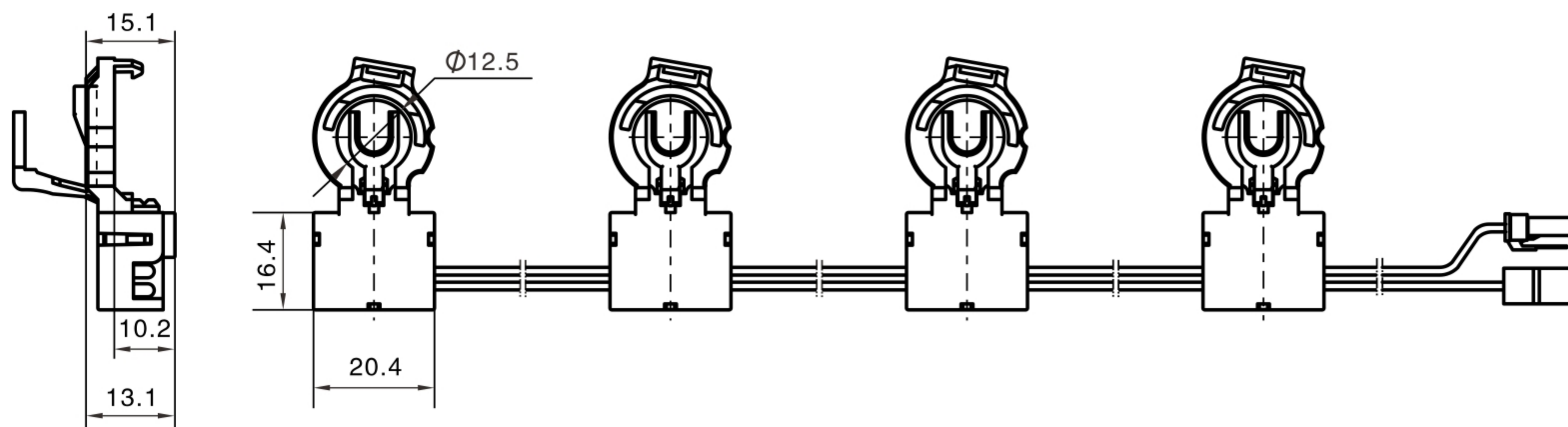


◆ 多聯開關外形尺寸 Multiple-switch dimensions

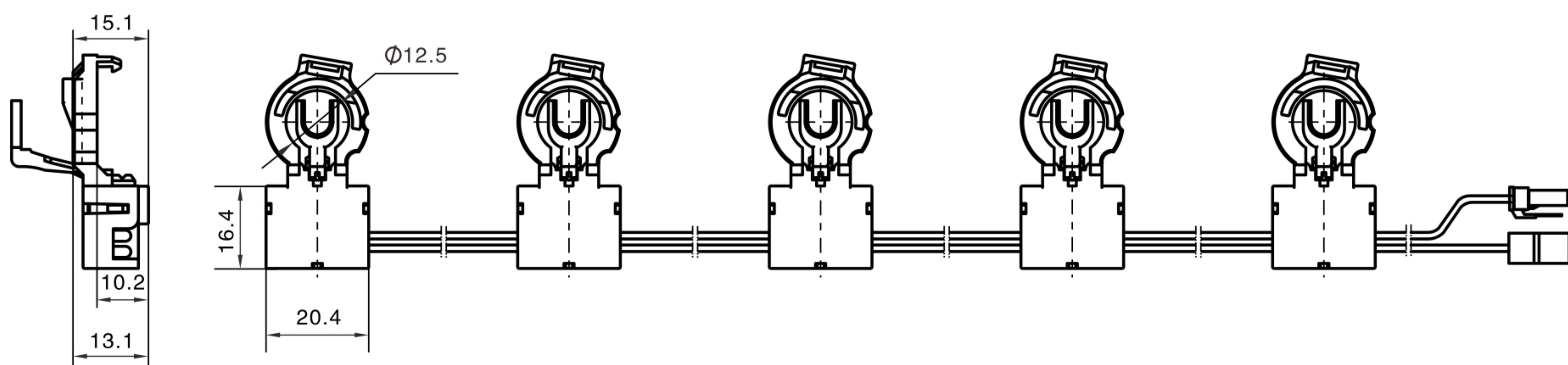
PS8/3-AB-□-□



PS8/4-AB-□-□



PS8/5-AB-□-□



注：1)多聯開關組合按特定命名方法確定型號規格

Note: 1)thetypespecificationofmulti-connectionswitchcombinationisdetermined
byspecificnamingmethod

2)多聯開關的動作特性值取決於單個開關

2)thetypespecificationofmulti-connectionswitchcombinationisdetermined
byspecificnamingmethod