

PS4型電源開關系列 Power switch series

◆ 特點和用途 Characteristics and usage

- 具有快速動作的特點

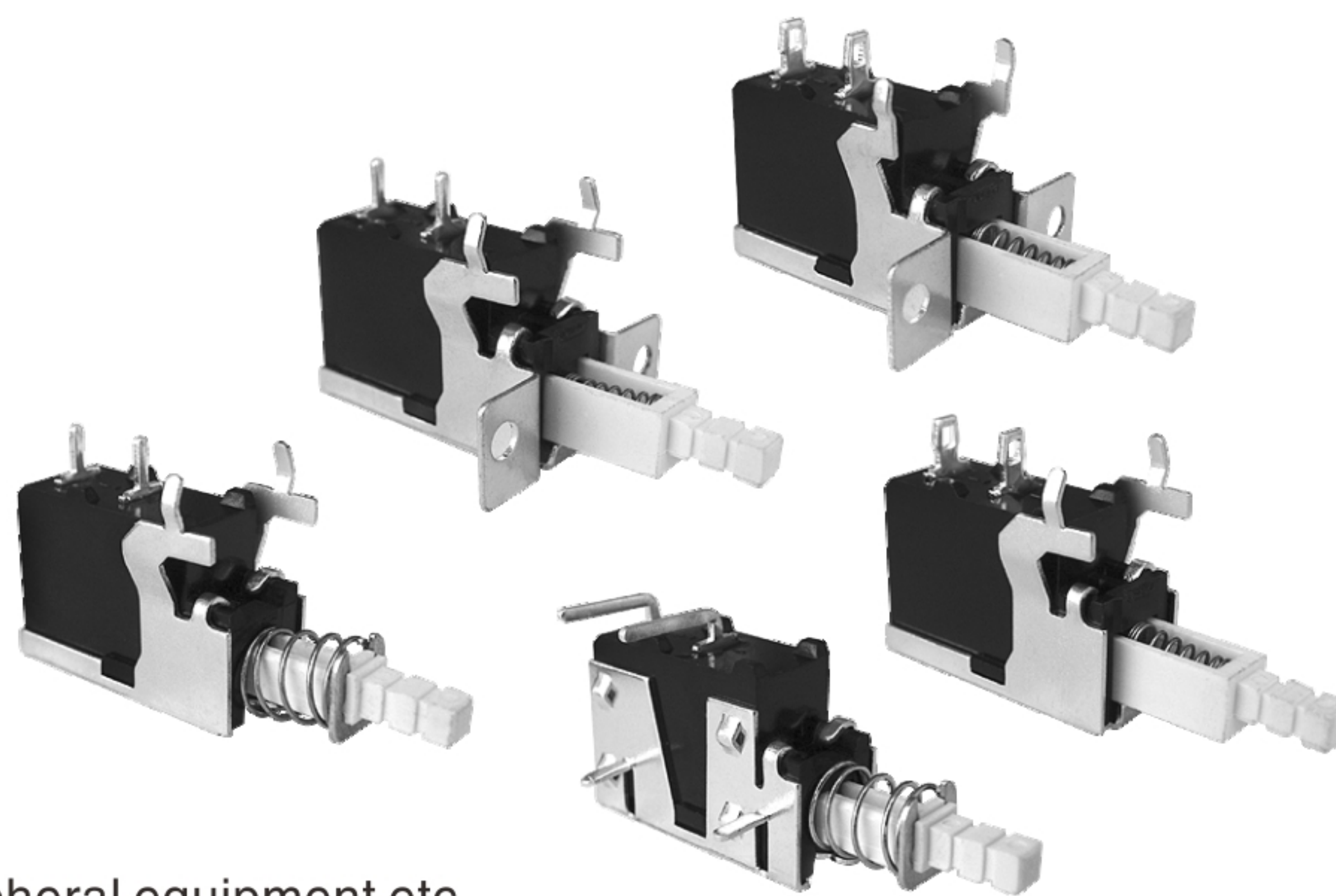
Quick action

- 可承受大電流和浪涌電流

Endure big current and inrush current

- 廣泛應用於電視機、音頻裝置、計算機及外圍設備等。

Widely used in color TV, audio device, computer and its peripheral equipment etc.



◆ 技術特性 Specifications

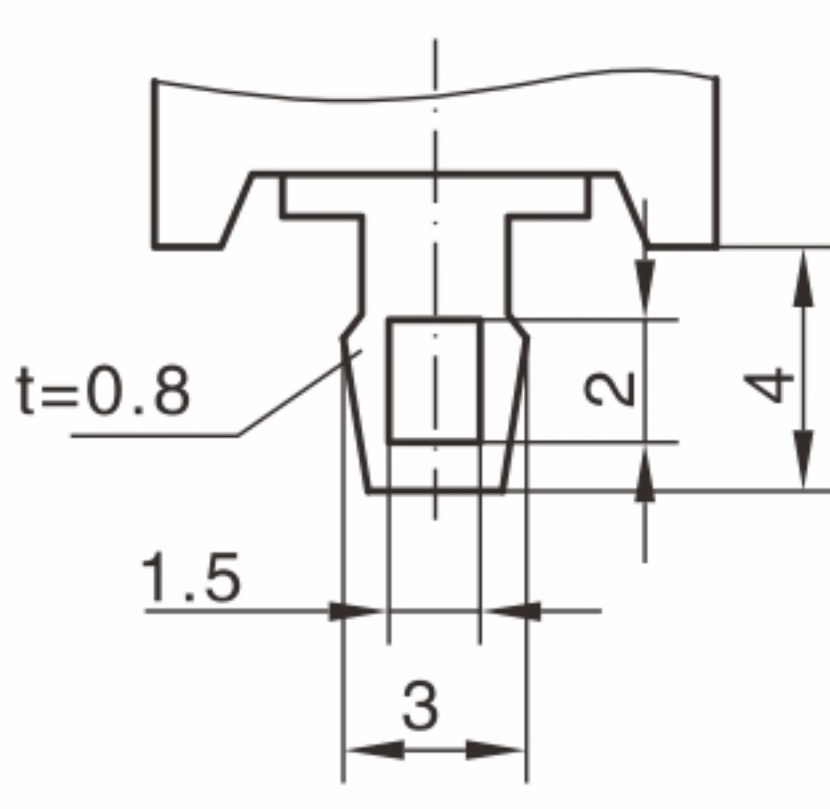
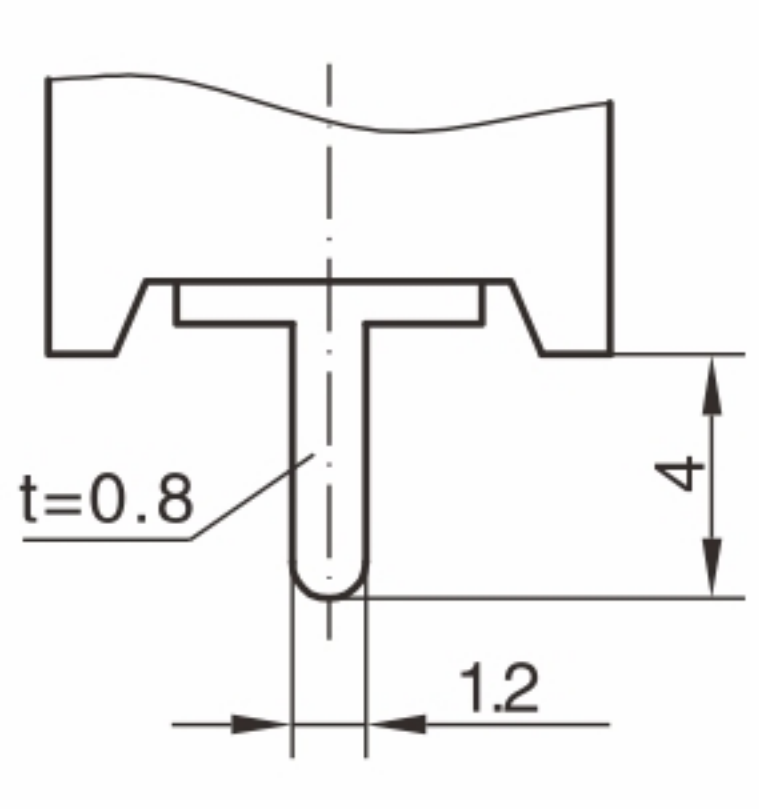
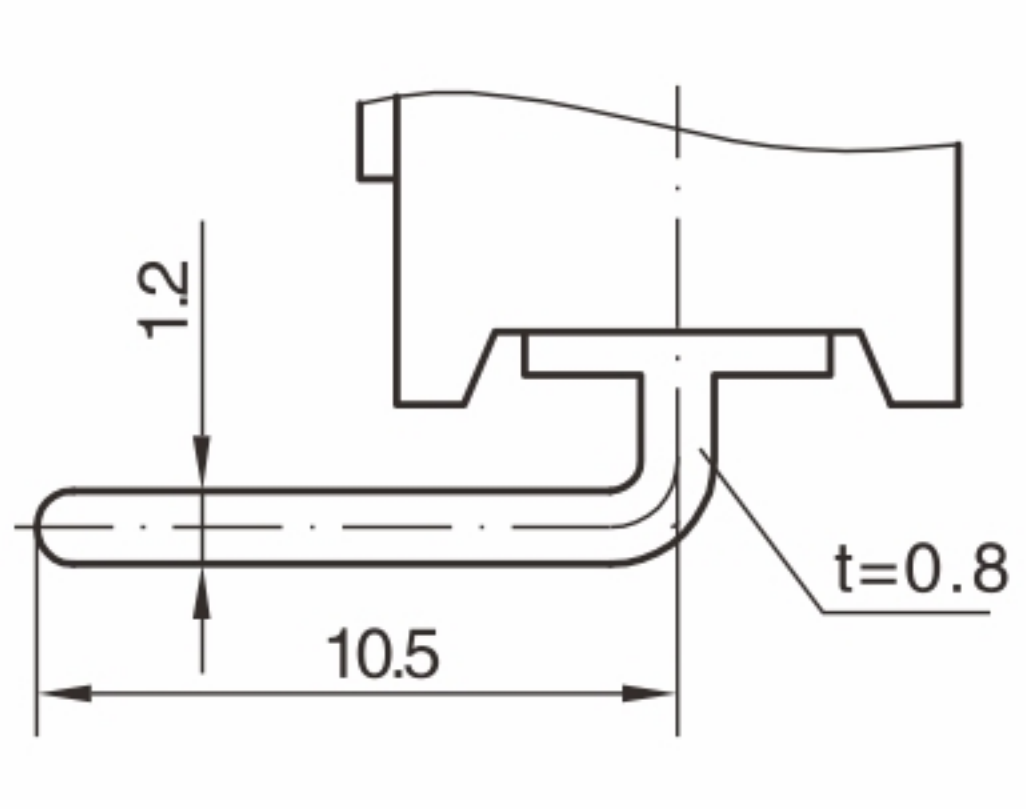
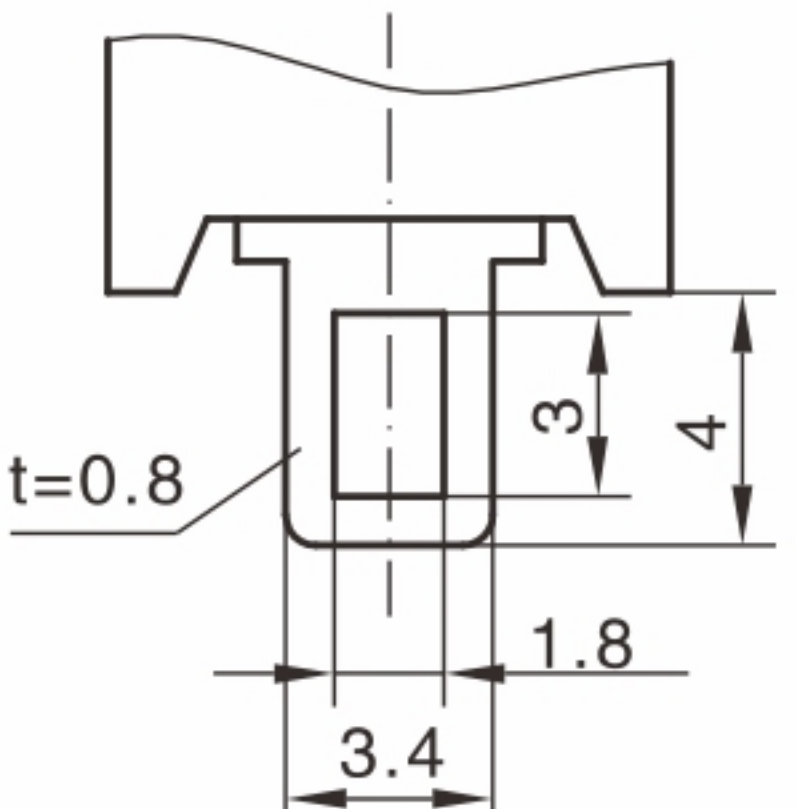
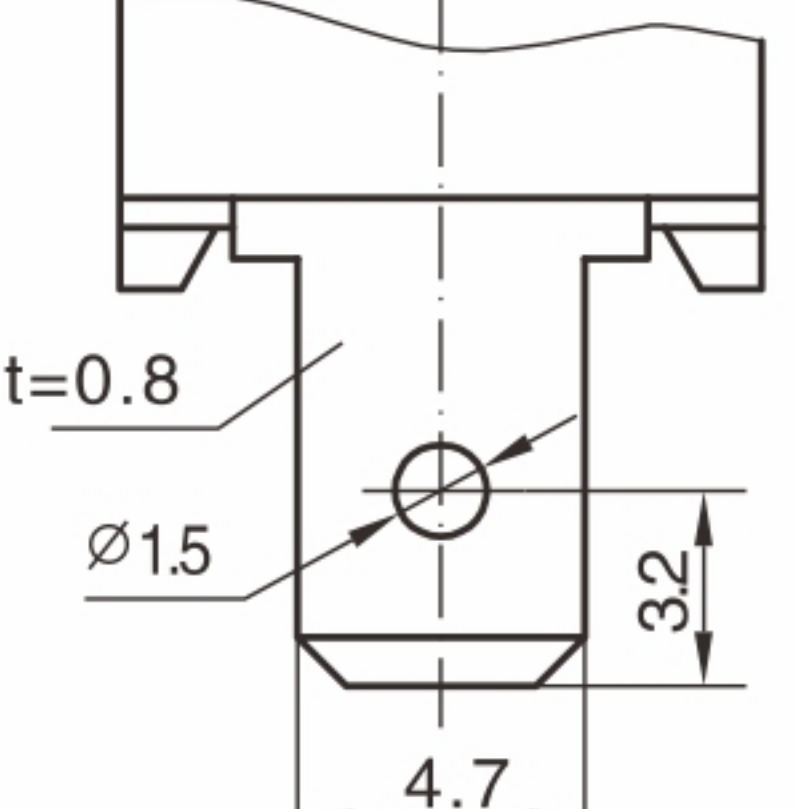
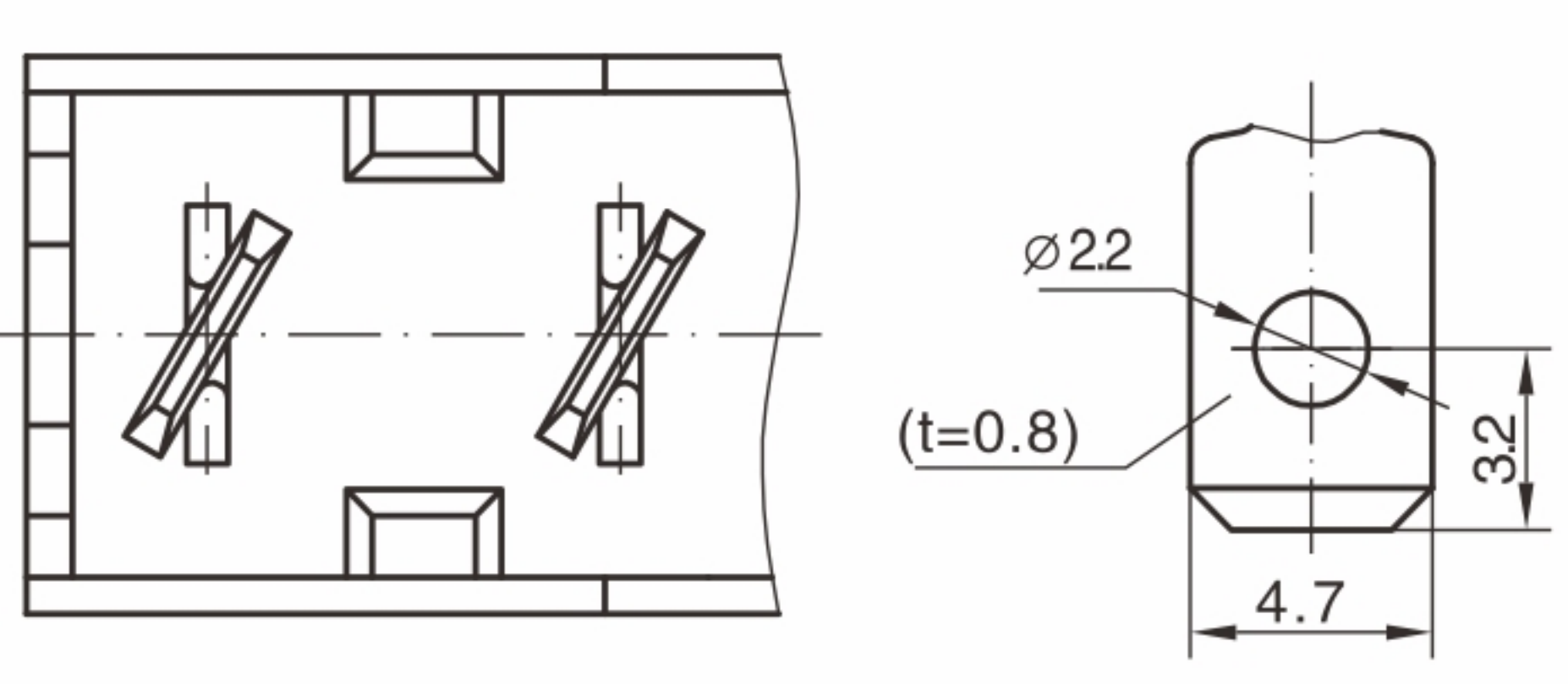
項目 Item	特性值 Value	
環境溫度 Environment temperature	-10 ~ +85°C; 0 ~ 125°C	
相對濕度 Relative humidity	95%, 40°C	
額定值 Ratings	TV-5 125VAC, 10GPA125/250VAC, 10A125/250VAC 8A/128A250VAC	
工作行程/全行程 Operating travel/full travel	2.5mm/3.5mm	
動作力 Operating force	2 ~ 6N	
電路 Circuit	單刀單擲 SPST	
絕緣電阻 Insulation resistance	≥ 100MΩ	
接觸電阻 Contact resistance	≤ 50mΩ	
耐電壓 Test voltage	同極不相接端子間 Between each terminals of the same polarity	AC2000V
	帶電金屬零件與地(外殼)之間、接線端與不帶電金屬件之間 Between current-carrying metal parts and ground(case), and between each terminal and non-current-carrying metal parts.	AC4000V
電氣壽命 Electrical life	10,000次/cycles	
質量 Weight	約 7.8 g Approx. 7.8g	
安全認證 Safety approvals	UL、CUL、VDE、ENEC、TUV、SEMKO、DEMKO、NEMKO、FIMKO、CE、EK、CQC	

◆ 型號規格命名及含義 Model number legend and meanings

PS4- □ □ □ □ □
1 2 3 4 5

<p>1 外形特徵 Outline characteristic</p>	<p>A: 外彈簧形 Outside spring B: 內彈簧形 Inside spring (見說明圖 See illustration)</p>	<p>4 蓋板形狀特徵 Frame tab shape features</p>	<p>0: 無支腳 No frame tab 1: 支腳尺寸2.6 Frame tab dimension 2.6 2: 支腳尺寸5 Frame tab dimension 5 3: 支腳尺寸6.8 Frame tab dimension 6.8 4: 右側臥 Right lain 5: 左側臥 Left lain</p>
<p>2 端子類型 Terminal types</p>	<p>1: 焊接端子(孔1.5×2) Solder terminal(hole 1.5×2) 2: PCB端子 PCB terminal 4: 側面PCB端子 Side PCB terminal 5: 焊接端子(孔1.8×3) Solder terminal(hole 1.8×3) 6: 快接端子#187 Quick-connect terminal#187 7: 快接端子#187, 扭轉45° Quick-connect terminal#187, torsion 45° (見說明圖 see illustration)</p>	<p>5 附加代號 Additional code</p>	<p>用A、B、C……表示與基本型有 差異或有特殊要求(如無鎖開關 用W表示) A,B,C……indicate different or special requirements with basic type(if not lockswitch indicate with W)</p>
<p>3 安裝孔類型 Mounting hole types</p>	<p>0: 無安裝孔 No mounting hole 1: 螺孔M3 Screw hole M3 2: 光孔Φ3.2 HoleΦ3.2</p>		

◆ 接線端尺寸 Terminal dimensions

<p>端子種類 Terminal types</p>	<p>1</p>		<p>2</p>		<p>4</p>	
<p>端子尺寸 Terminal dimensions</p>						
<p>端子種類 Terminal types</p>	<p>5</p>		<p>6</p>		<p>7</p>	
<p>端子尺寸 Terminal dimensions</p>						

To provide a safe and reliable on-off service, let electric appliances more perfect

◆ 外形特徵圖 Outline characteristic drawing

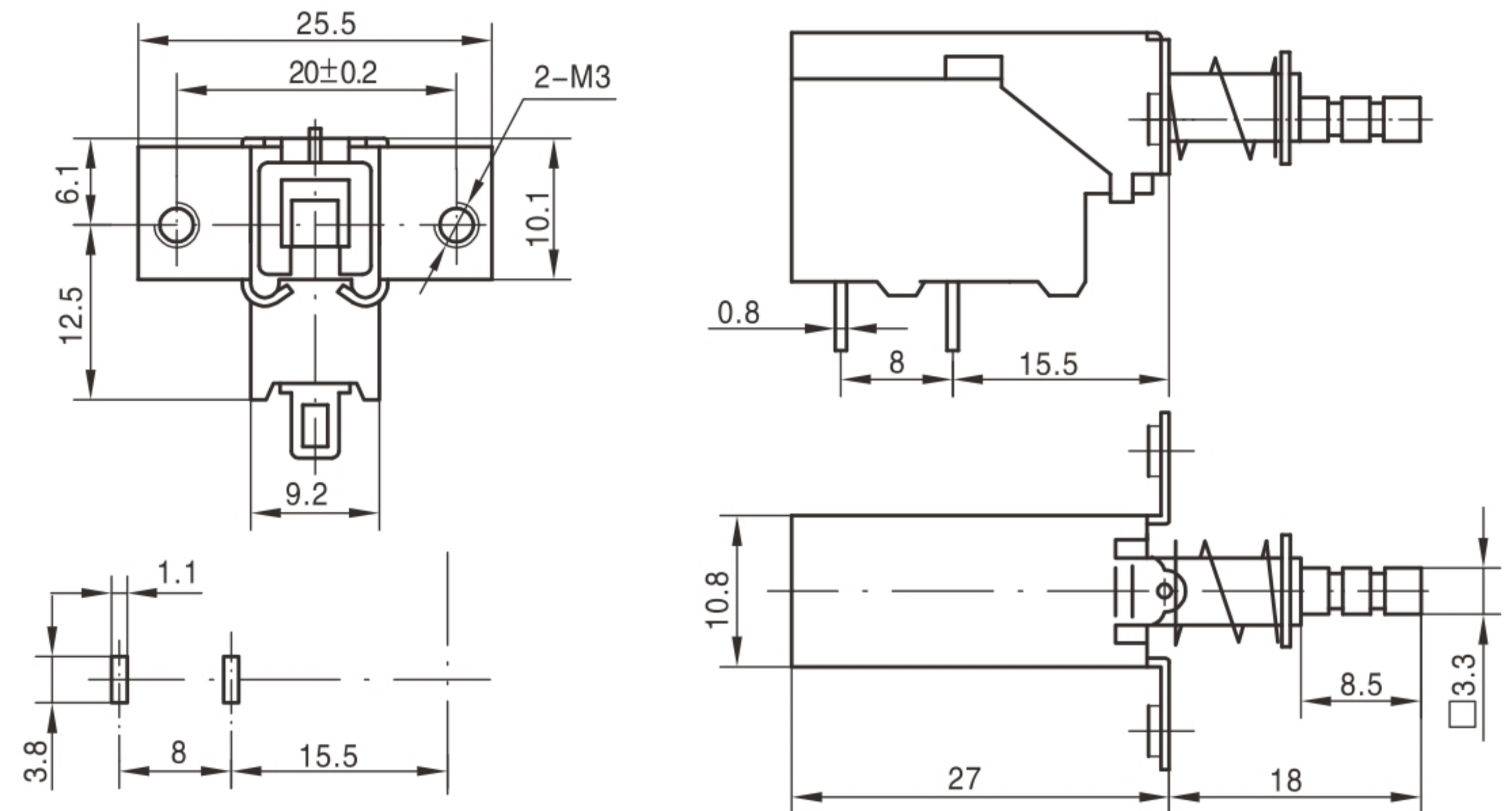
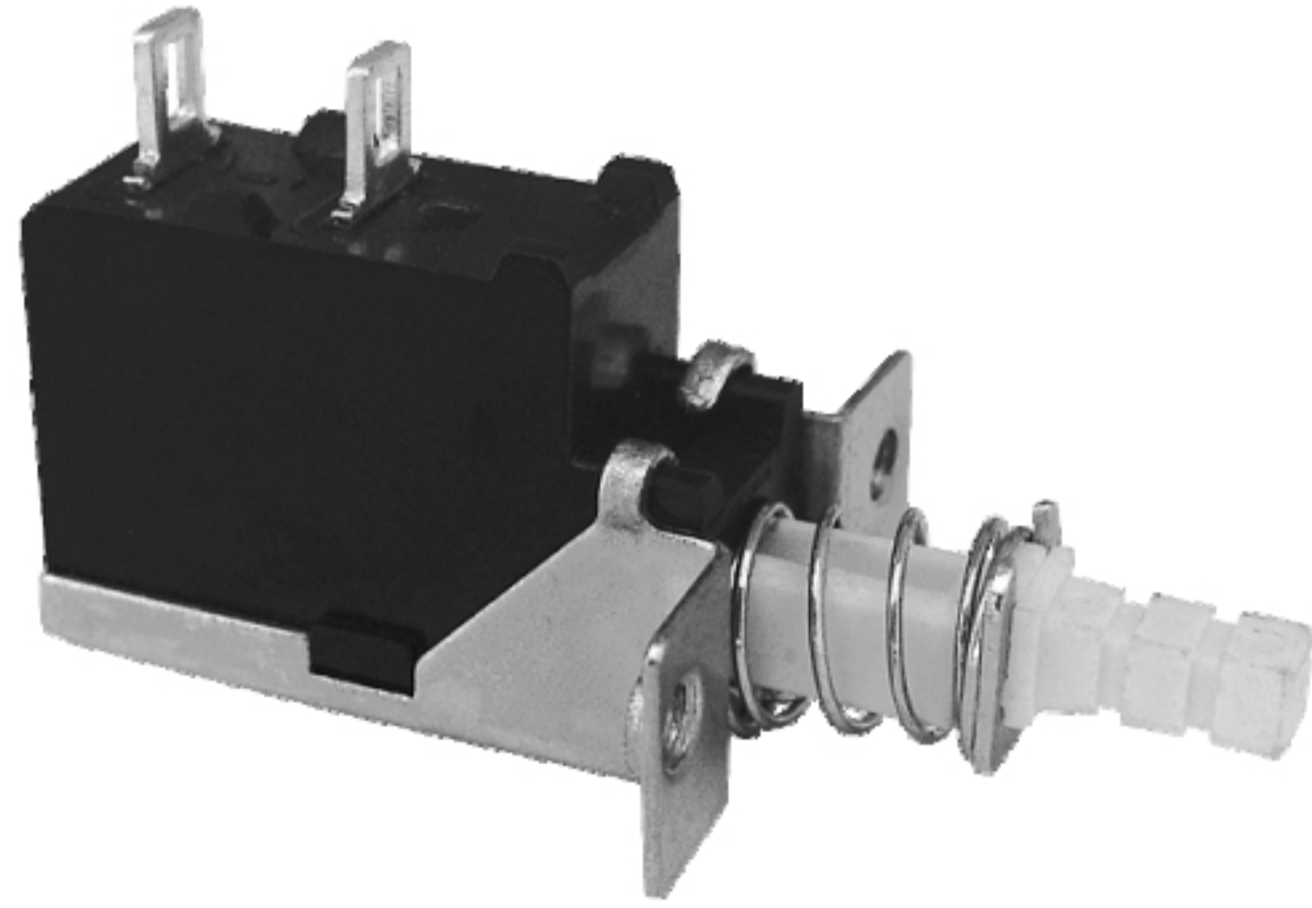
外形特徵A Outline characteristic A	外形特徵B Outline characteristic B

◆ 蓋板特徵圖 Frame tab characteristic drawing

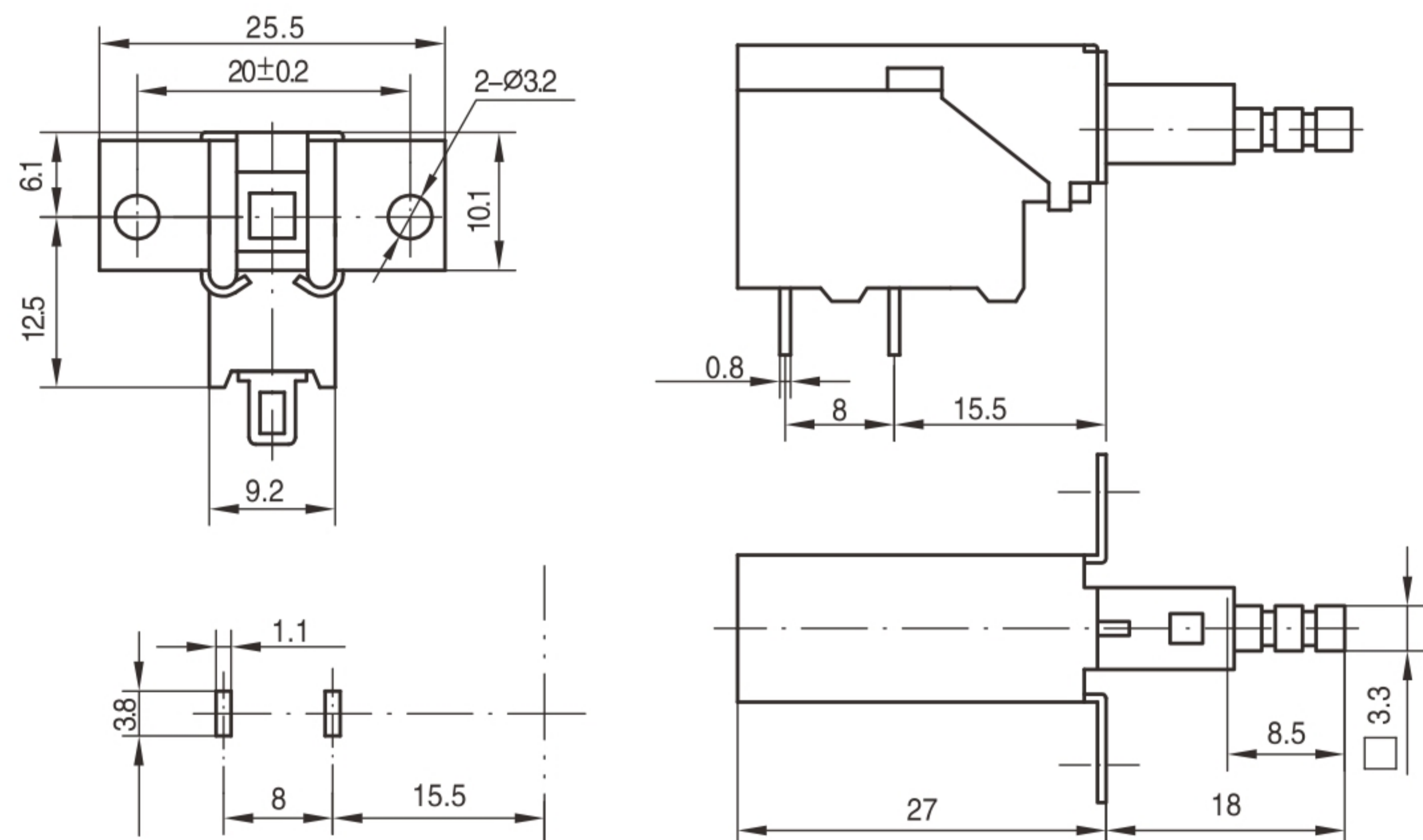
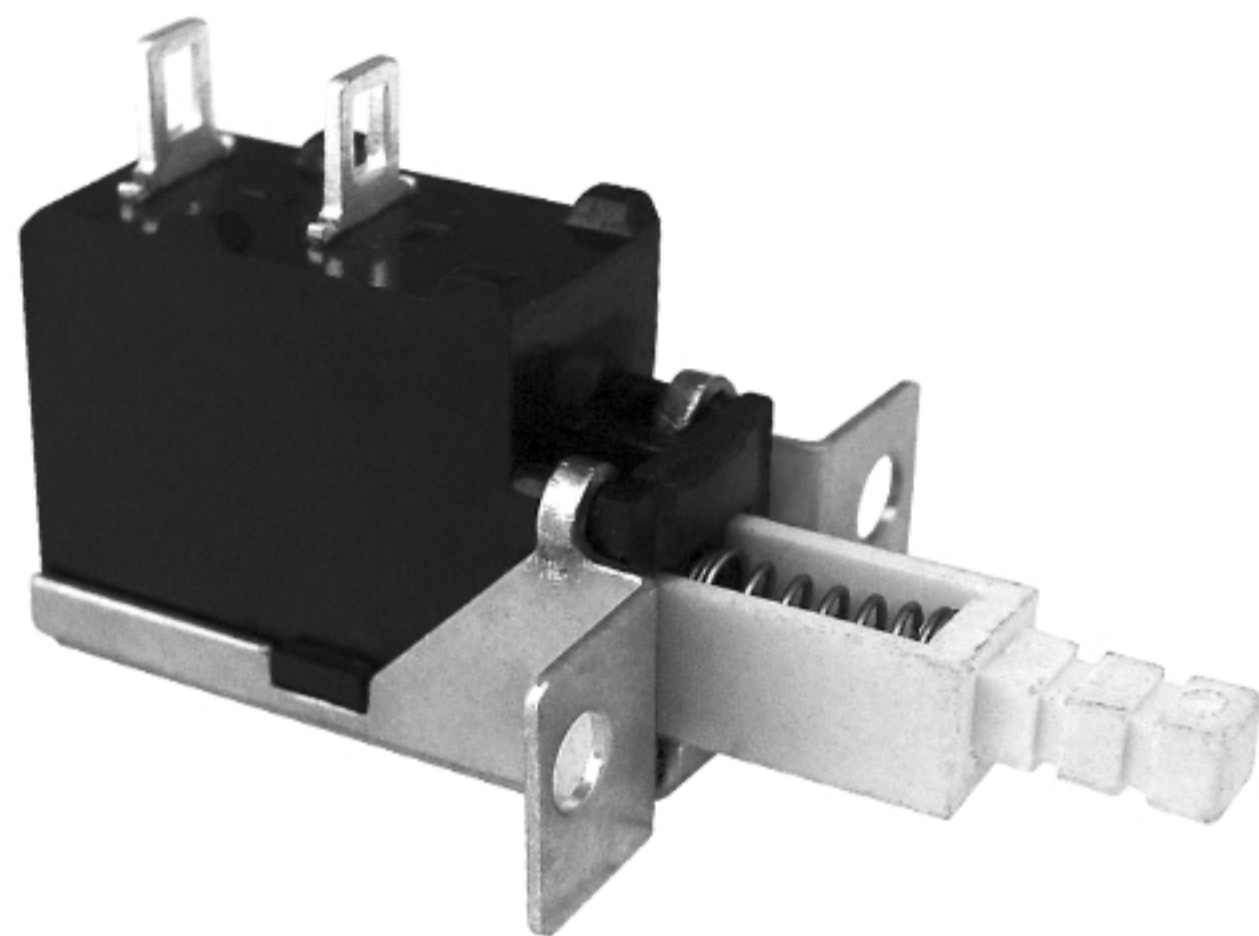
蓋板特徵號 Frame tab characteristic code	0	1	2
蓋板特徵 Frame tab characteristic			
蓋板特徵號 Frame tab characteristic code	3	5	
蓋板特徵 Frame tab characteristic			

◆ 外形和安裝尺寸 Outline and mounting dimensions

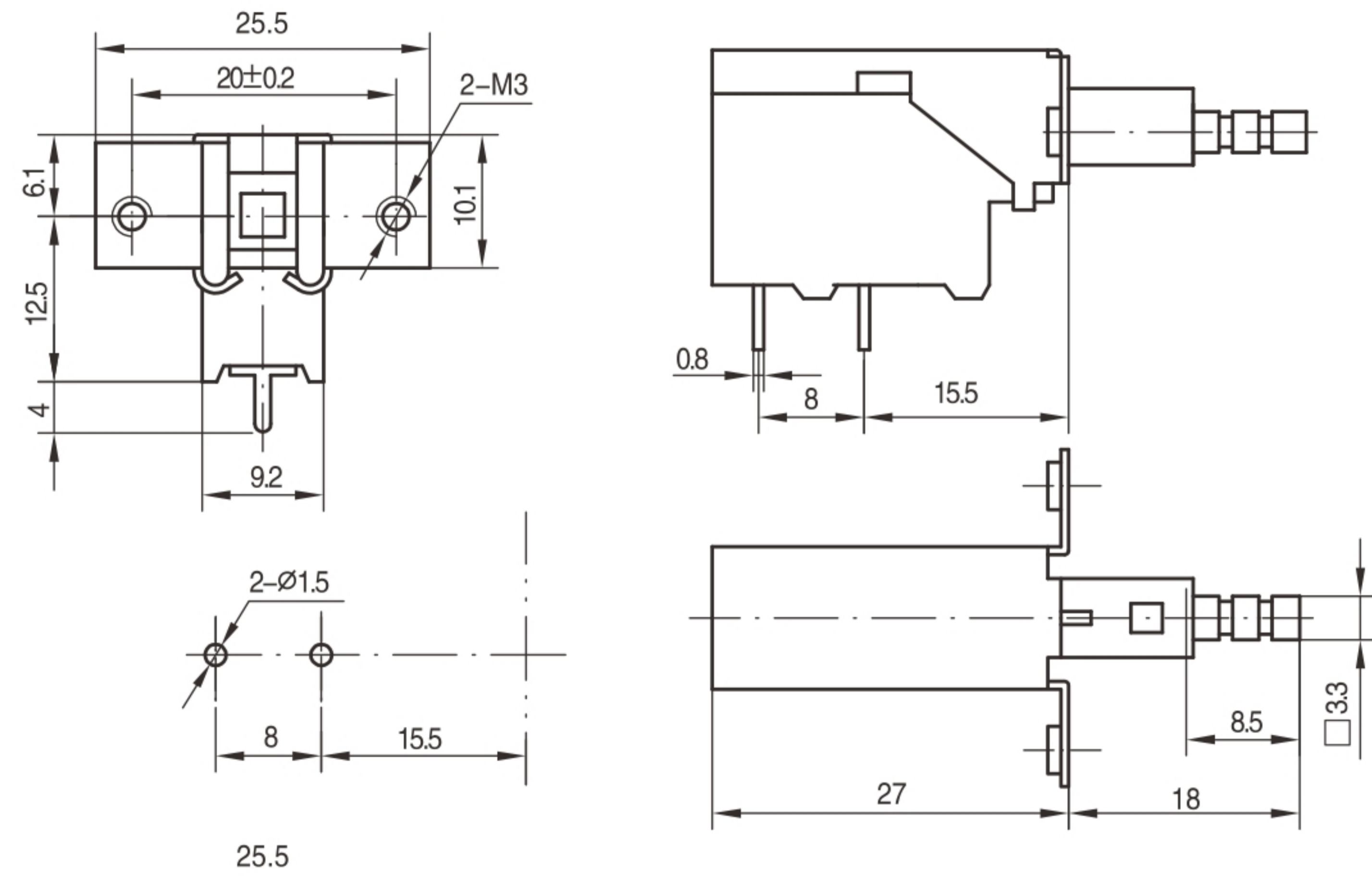
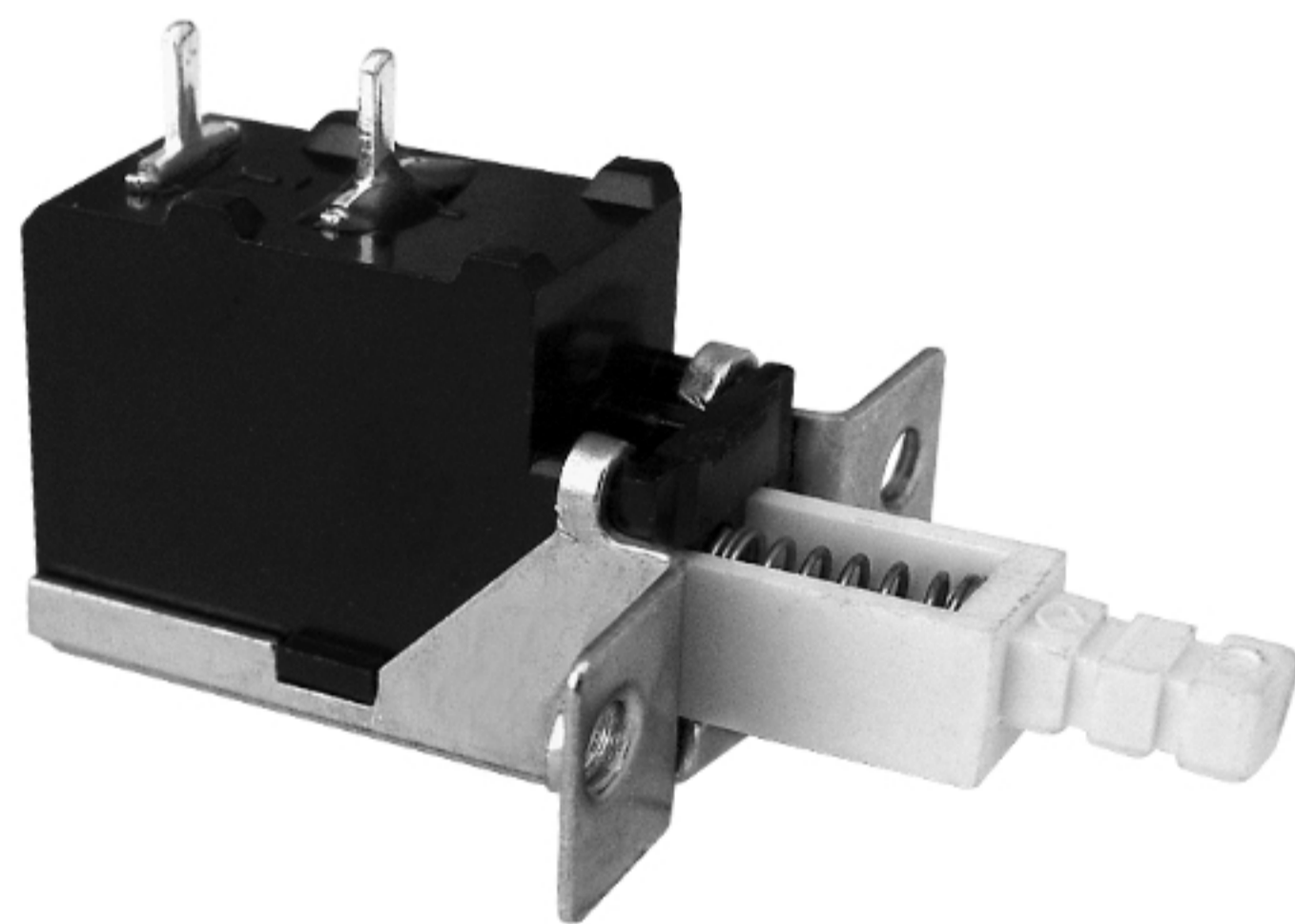
PS4-A510



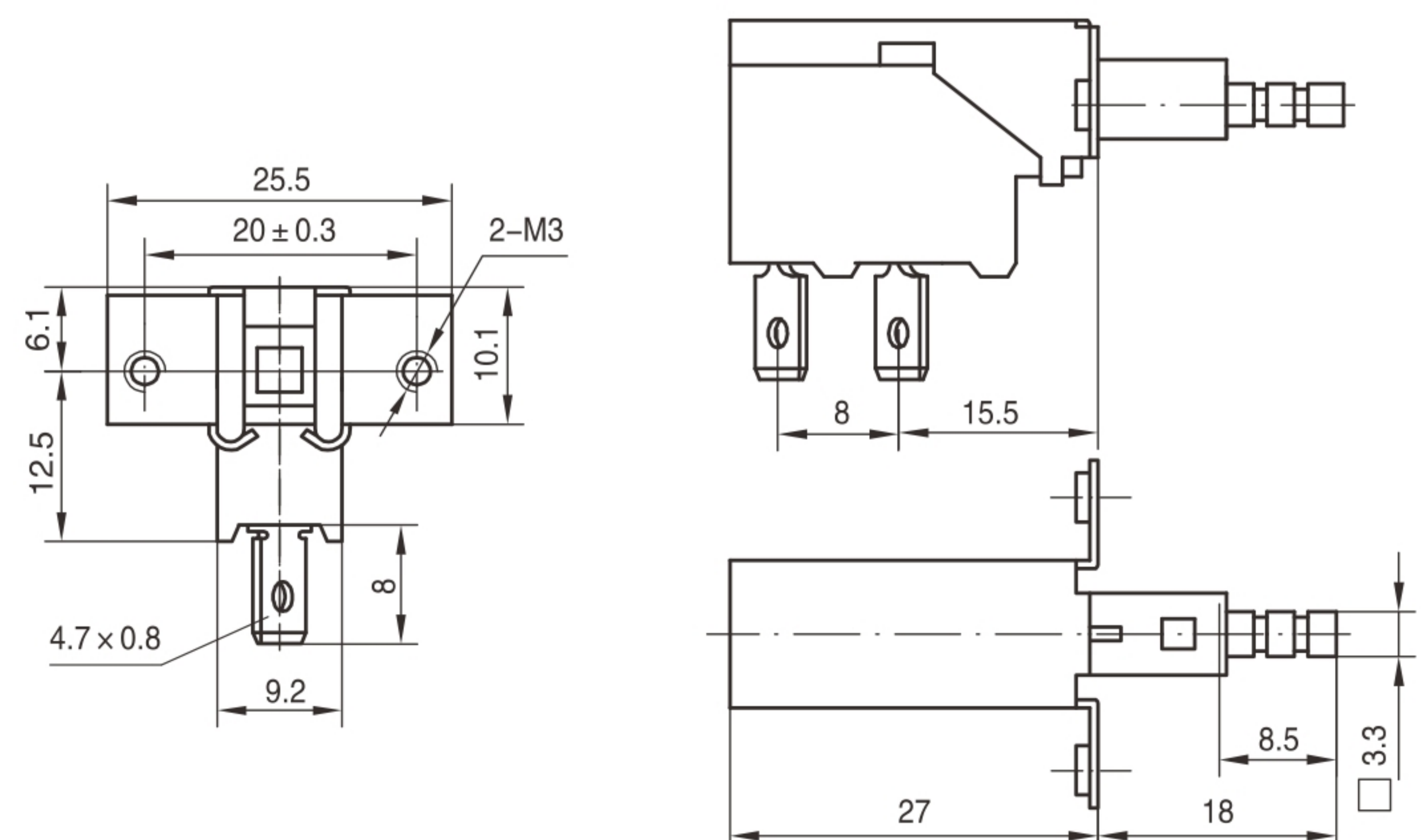
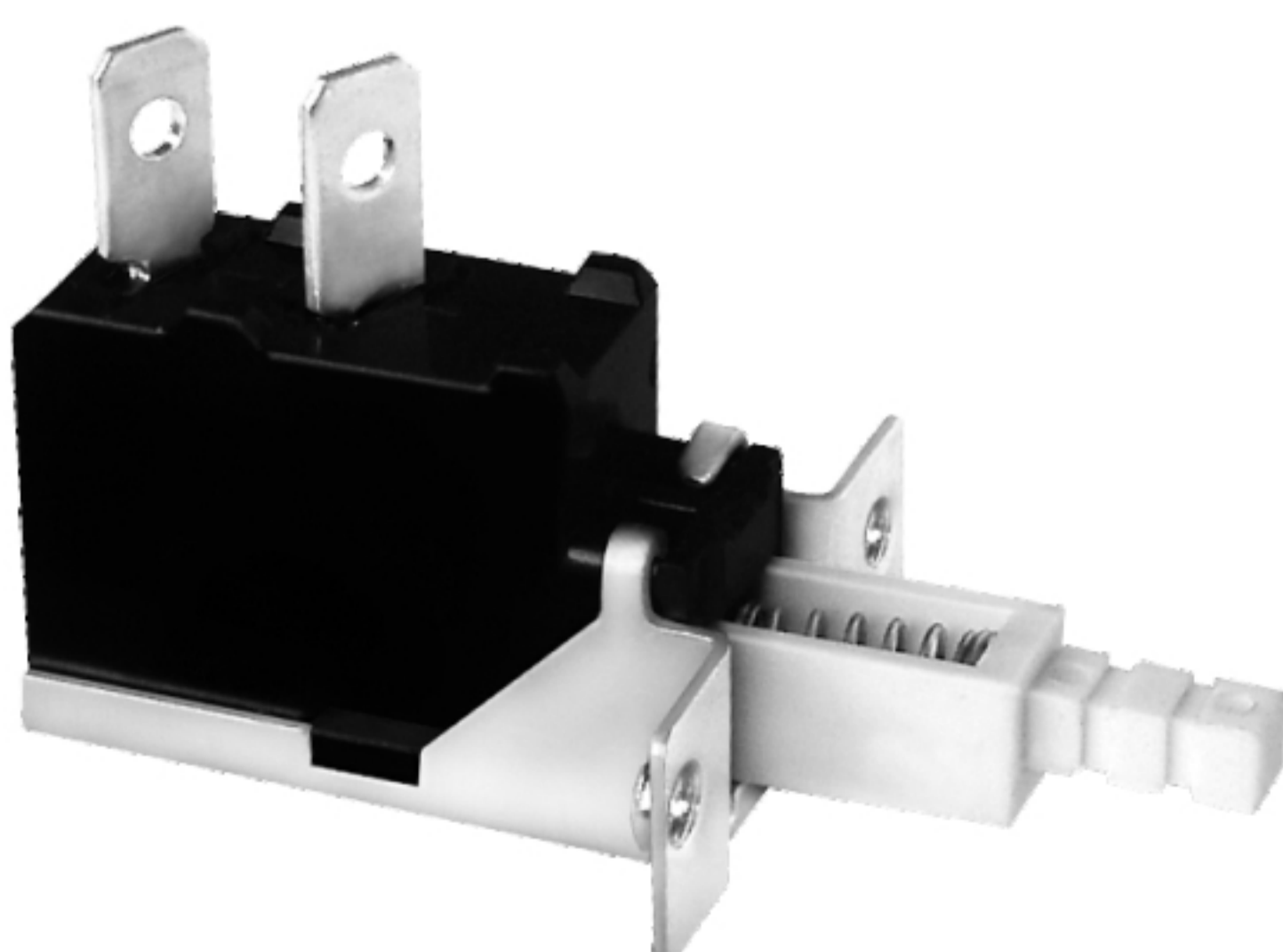
PS4-B520



PS4-B210



PS4-B710



To provide a safe and reliable on-off service, let electric appliances more perfect