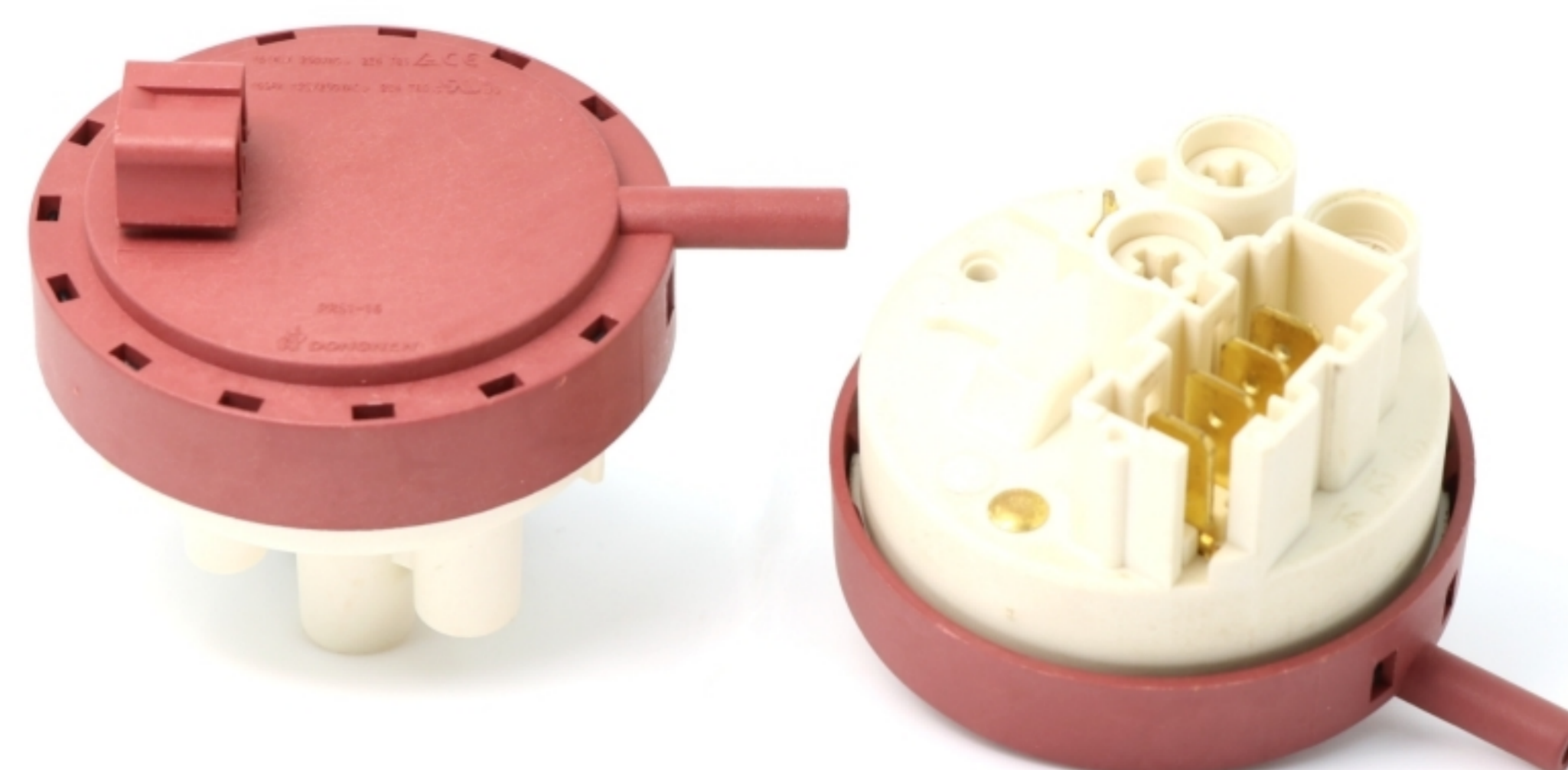


PRS1 型壓力開關系列 Pressure Switch series

◆ 特點和用途 Characteristics and usage

- 結構緊湊可靠，安裝方便。
Compact and reliable structure, easy installation.
- 多種結構型式
A variety of structures
- 具有多種額定值等級
A Variety of current degrees
- 多種動作壓強
A variety of action pressure
- 應用于洗碗機、洗衣機等家用電器及水位控制設備。
Used in dishwashers and other home appliances and similar equipment



◆ 技術特性 Technical Characteristics

項目 Item		特性值 Value
環境溫度 Environment temperature		0°C ~ 85°C
相對濕度 Relative humidity		95%, 40°C
絕緣電阻 Insulation resistance		≥ 100MΩ ; 試驗後 After test ≥ 50MΩ (500VDC)
接觸電阻 Contact resistance		≤ 50mΩ ; 試驗後 After test ≤ 200 mΩ
耐電壓 Test voltage	同極不相接端子間 Between terminals of the same polarity	AC600V, 50/60Hz, 1min
	帶電金屬零件與地（外殼）之間、接綫端與不帶電金屬件之間 Between current-carrying metal parts and ground(case), and between each terminal and non-current-carrying metal parts.	AC1800V , 50/60Hz, 1min
抗振動 Vibration resistance		10 ~ 55Hz, 1.5mm 雙振幅 Double amplitude
防觸電保護等級 Electric shock proof protection degree		I 級 class
密封性 Sealability		施加 0.15MPa 水壓，保持 5 min 各處無泄漏。 Apply 0.15MPa water pressure, keep 5min, no leakage anywhere.
阻燃等級 Flammability class		750°C/2s
電氣壽命 Electrical life		≥ 20,000 次 cycles
安全認證 Safety approvals		UL、CUL、TUV、CE

To provide a safe and reliable on-off service, let electric appliances more perfect

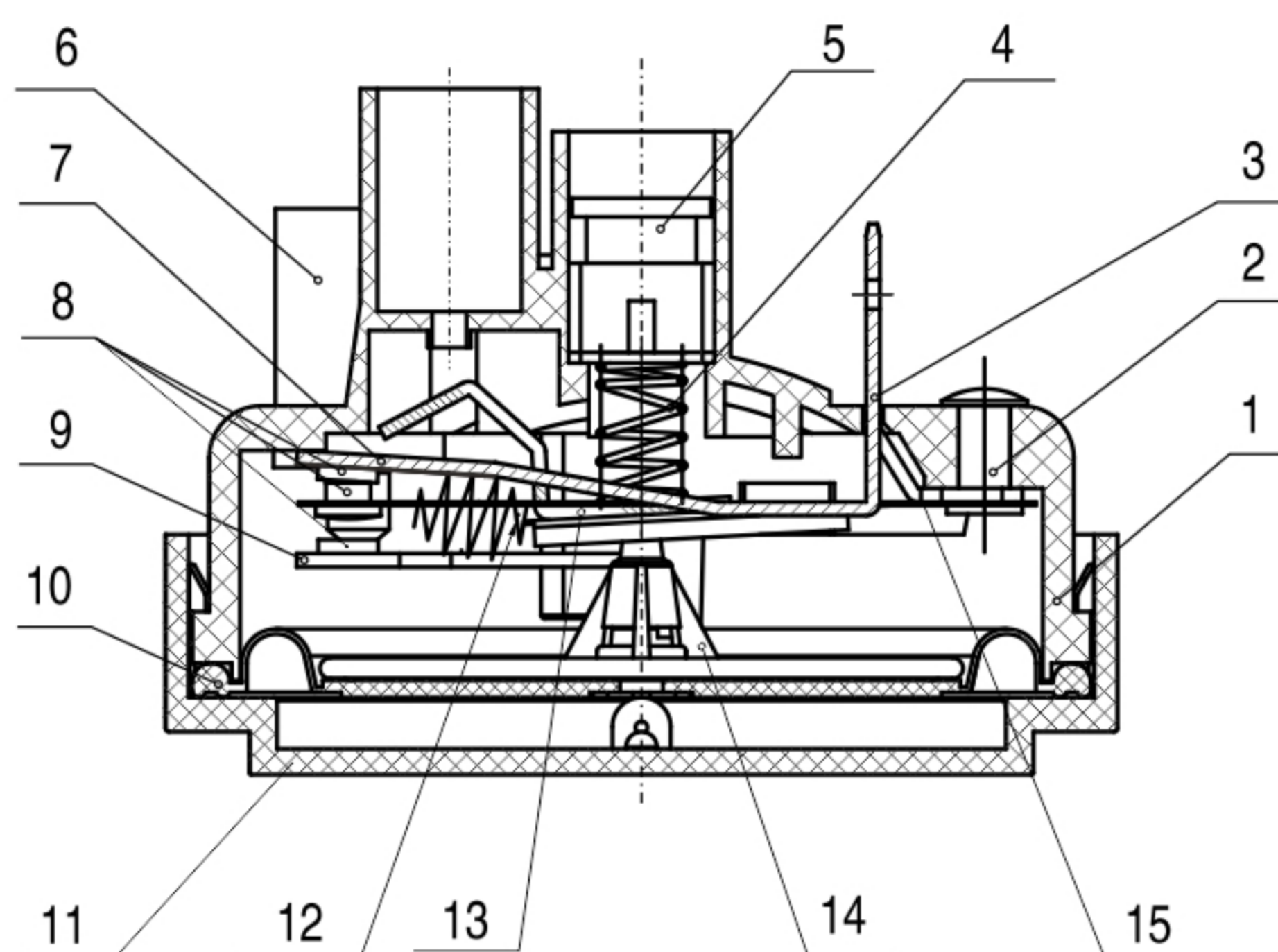
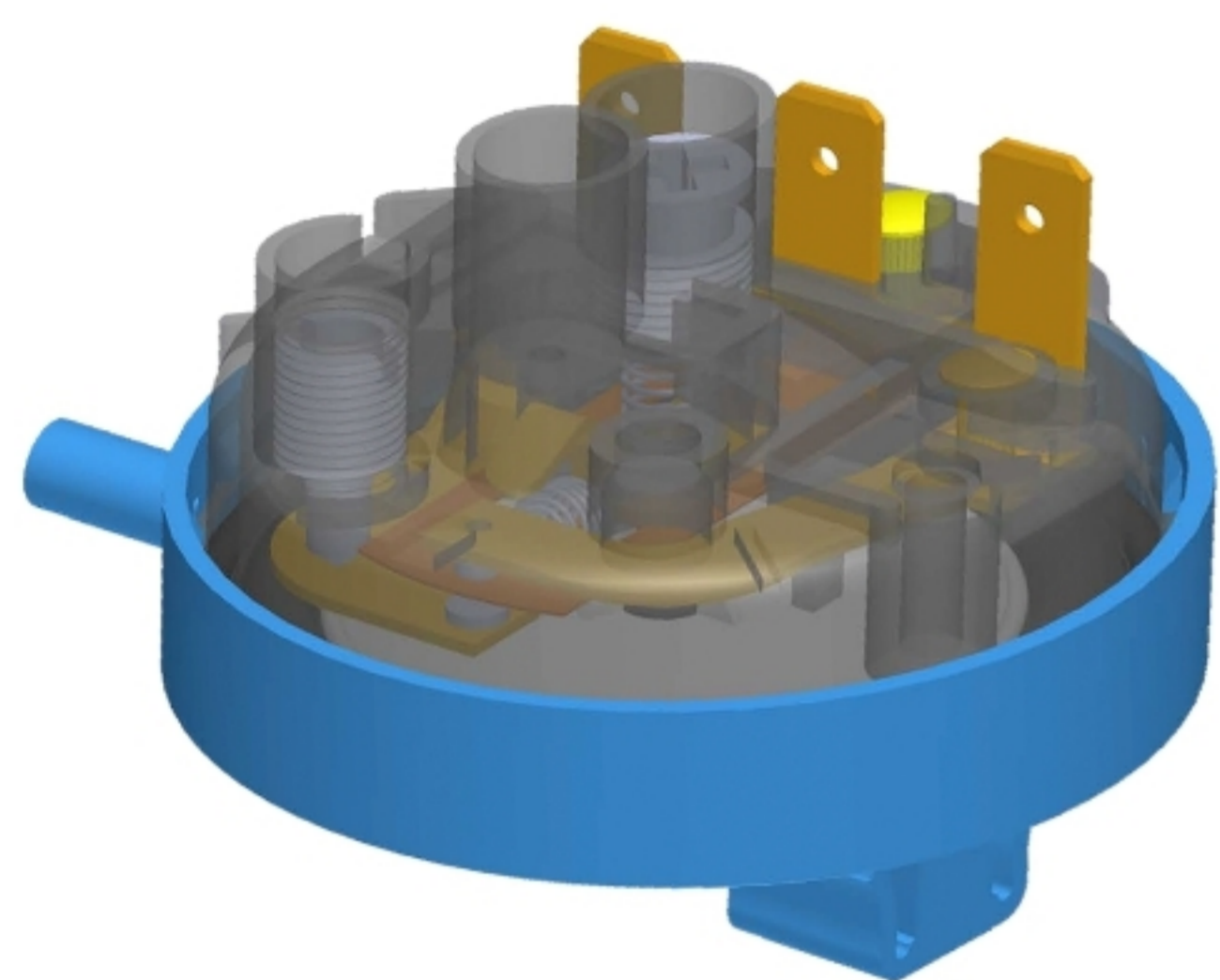
◆ 型號規格命名及含義 Model number legend and meanings

PRS1- □ □ □ -□
1 2 3 4

<p>1 額定值 Ratings</p>	<p>16: 16GPA 125/250VAC μ 2E4 T85 10: 10GPA 125/250VAC μ 2E4 T85 05: 5GPA 125/250VAC μ 2E4 T85 01:0.1GPA 125/250VAC μ 2E4 T85</p>
<p>2 結構型式 Structure style</p>	<p>A: 普通式 無卡扣 Ordinary type without buckle B: 普通式 有卡扣 Ordinary type with buckle C: 插座式 無卡扣 Socket type without buckle D: 插座式 有卡扣 Socket type with buckle (見說明圖 See illustration)</p>
<p>3 動作壓強 / 復位壓強 Action pressure / reset pressure (mmH2O)</p>	<p>A: 140/120 mmH2O B: 135/115 mmH2O C: 83/63 mmH2O D: 59/40 mmH2O E: 100/78 F: 70/50</p>
<p>4 附加代號 Additional specs code</p>	<p>用 01、02、03 ……表示。適用於： Shows as 01, 02, 03 ……Apply to: 1)當開關使用了非標準零件如非標準端子時 When used not standard parts such as not standard terminal 2)當蓋的安裝方位與默認方位不同時 When the installation position of the cover is different with the default position 3)當蓋的顏色與默認顏色不同時 When the color of the cover is different with the default color 4)當顧客有特殊要求時 When customer has particular requirements 5)在沒有附加代號時，該位置空缺。 If there is no additional numbers, the place is vacant.</p>

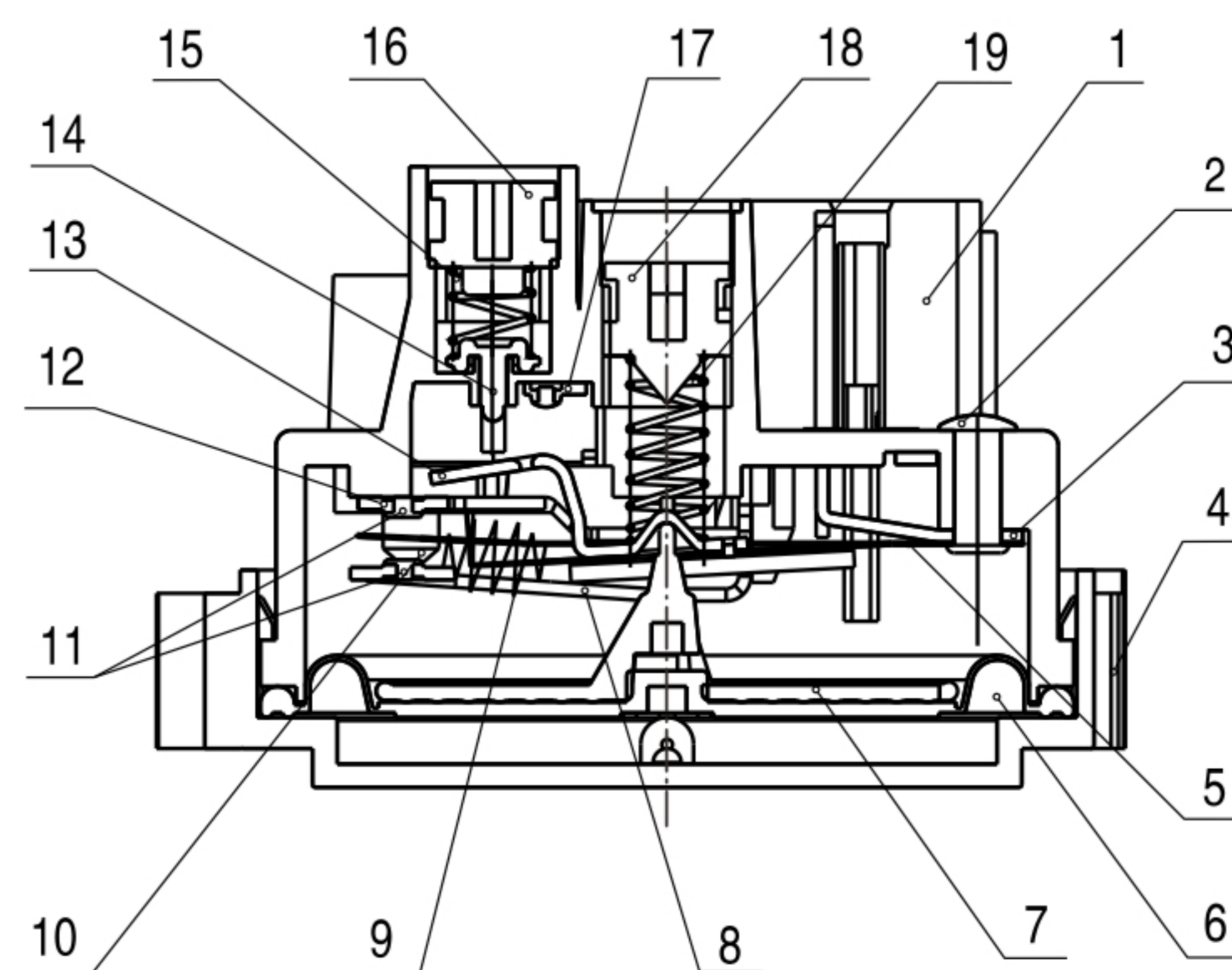
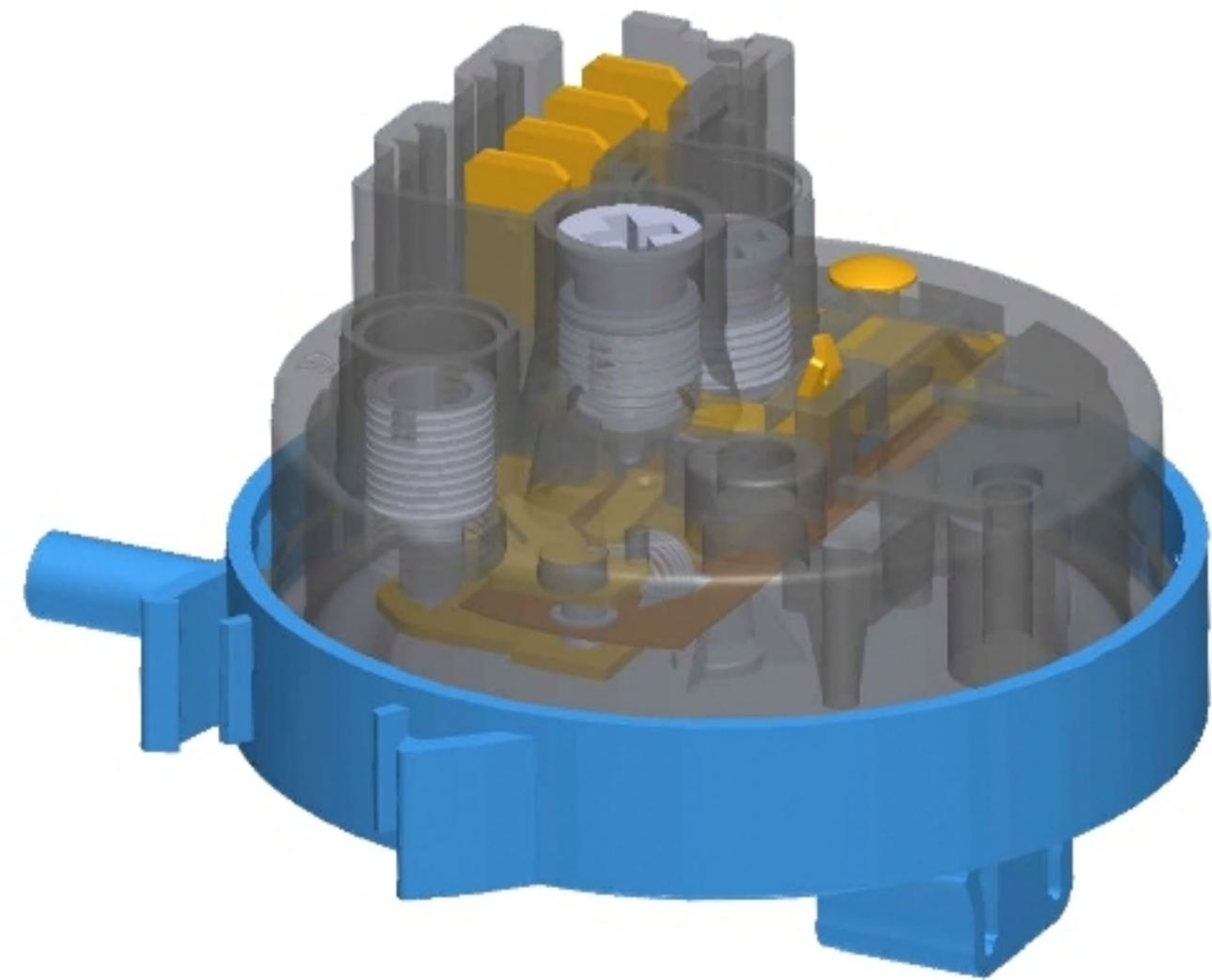
◆ 内部構造圖 Internal configuration drawing

普通式 Ordinary type



- | | |
|---------|--------------|
| 1: 外殼 | Case |
| 2: 鉚釘 | Rivet |
| 3: 端子 | Terminal |
| 4: 彈簧 | Spring |
| 5: 動片螺桿 | Screw |
| 6: 靜件螺桿 | Screw |
| 7: 常閉端子 | NC terminal |
| 8: 電觸點 | Contact |
| 9: 常開端子 | NO terminal |
| 10: 密封件 | Seal element |
| 11: 蓋 | Cover |
| 12: 壓簧 | Spring |
| 13: 支架 | Support |
| 14: 推盤 | Plate |
| 15: 可動片 | Moving piece |

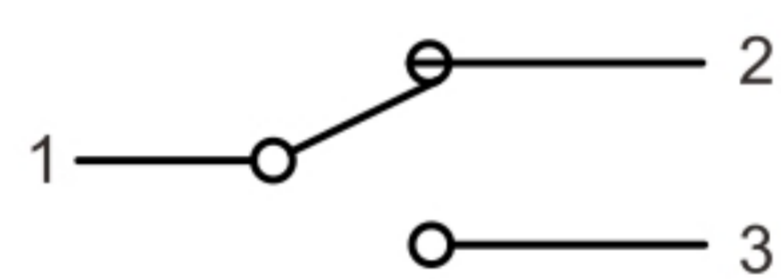
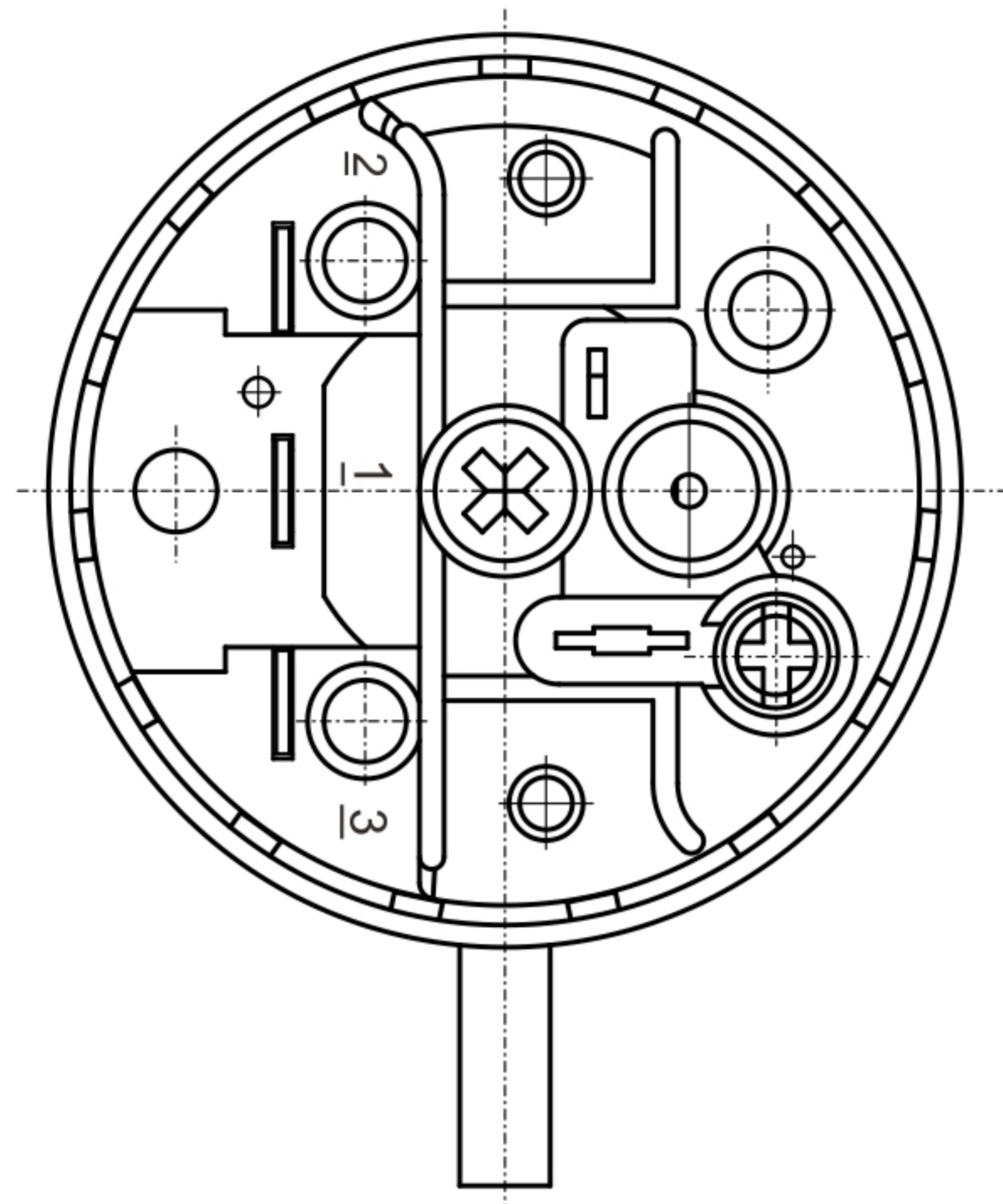
插座式 Socket type



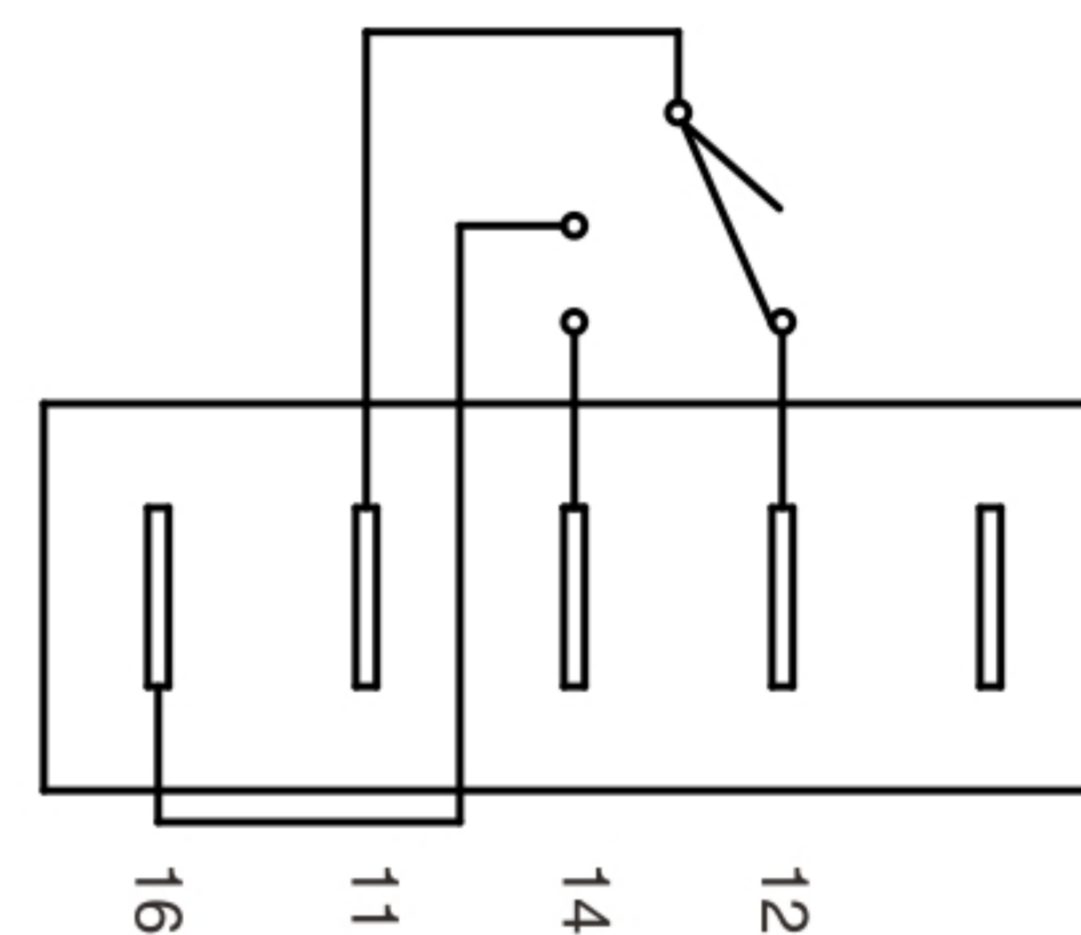
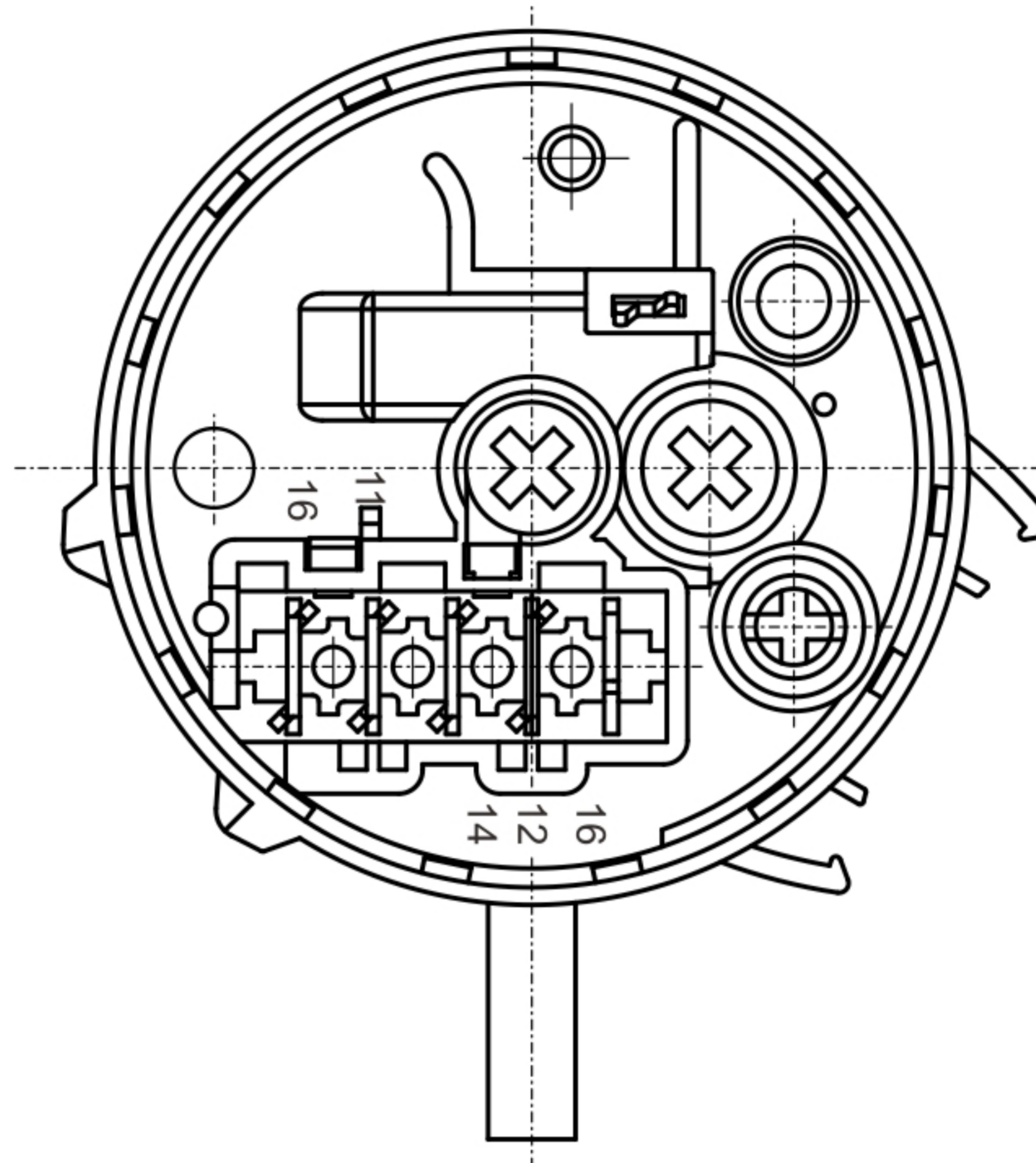
- | | |
|-----------|--------------------|
| 1: 外殼 | Case |
| 2: 鉚釘 | Rivet |
| 3: 端子 | Terminal |
| 4: 蓋 | Cover |
| 5: 可動片 | Moving piece |
| 6: 密封件 | Seal element |
| 7: 推盤 | Plate |
| 8: 常開端子 | NO terminal |
| 9: 壓簧 | Spring |
| 10: 靜件螺桿 | SCREW |
| 11: 電觸點 | Contact |
| 12: 常閉端子 | NC terminal |
| 13: 支架組件 | Support assembly |
| 14: 杆 | Handspike |
| 15: 短彈簧 | Short spring |
| 16: 支架螺桿 | Support screw |
| 17: 常開端子2 | NO termina 2 |
| 18: 可動片螺桿 | Moving piece screw |
| 19: 彈簧 | Spring |

◆ 接觸形式說明圖 Circuit illustration

普通式 Ordinary type



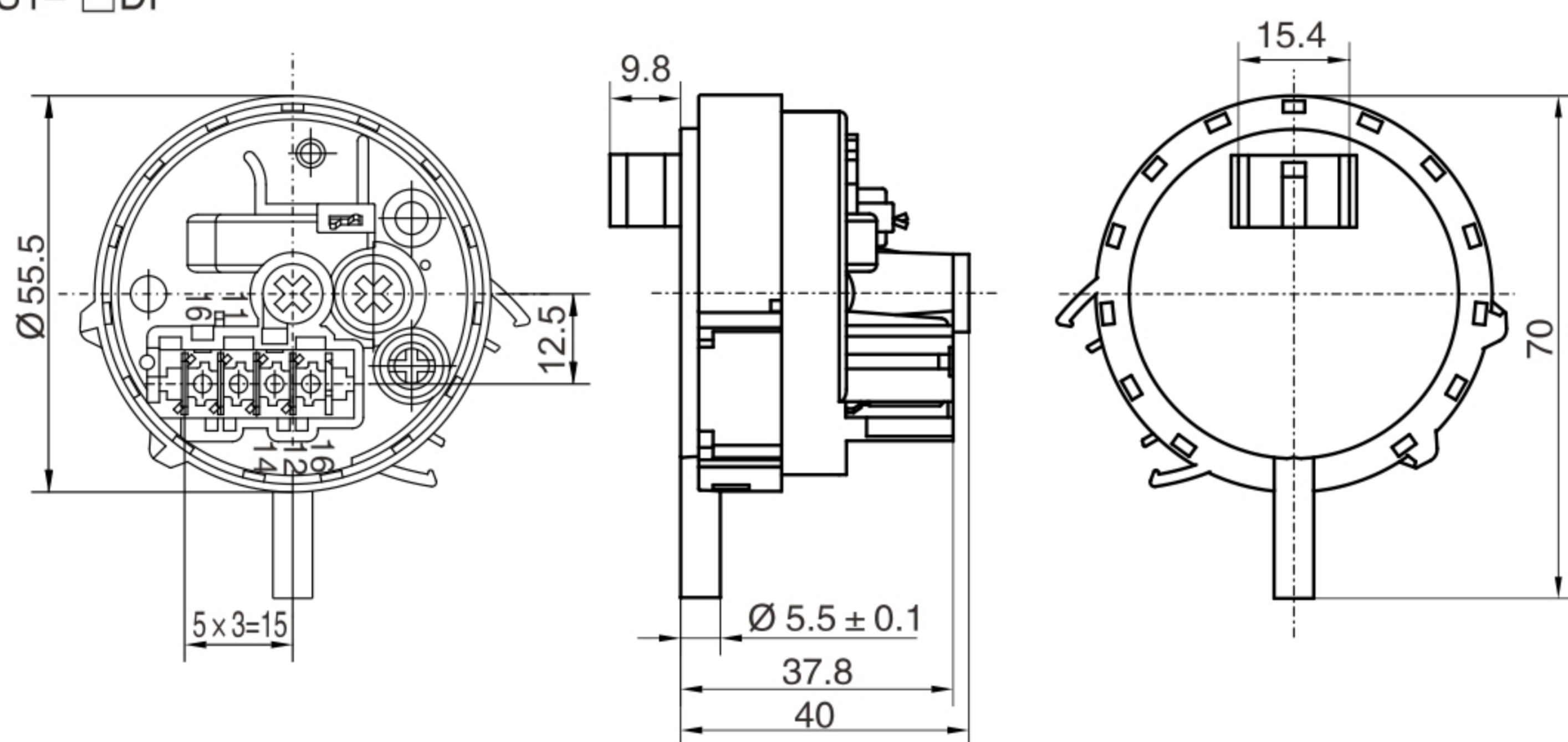
转换式 SPDT



插座式 Socket type

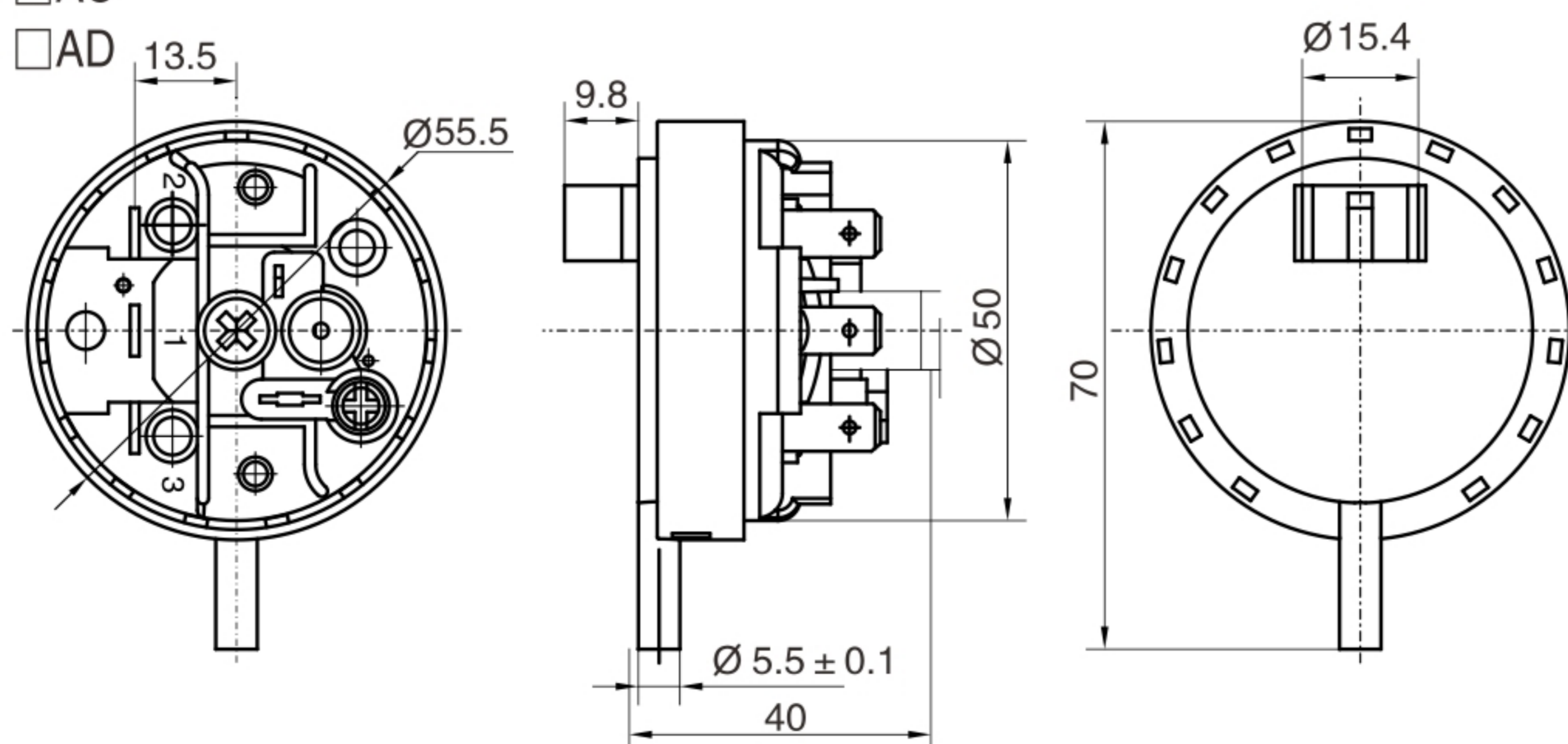
◆ 外形尺寸和動作特性 Dimensions and operating characteristics

PRS1-□DE
PRS1-□DF



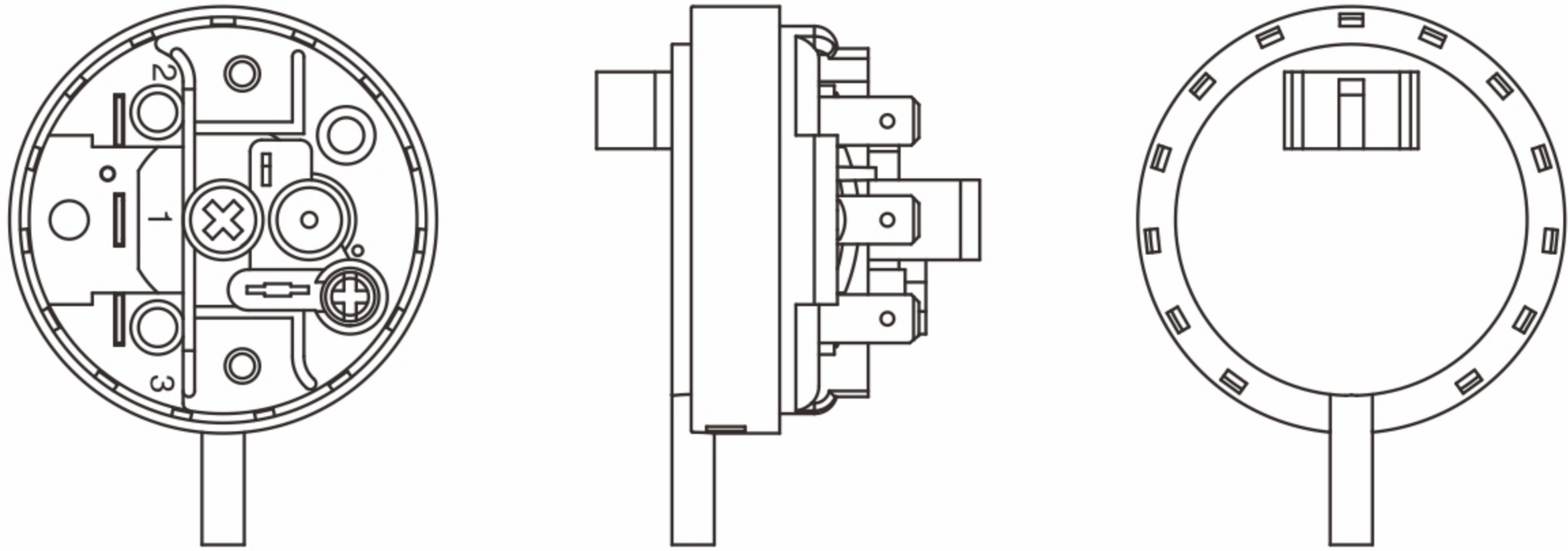
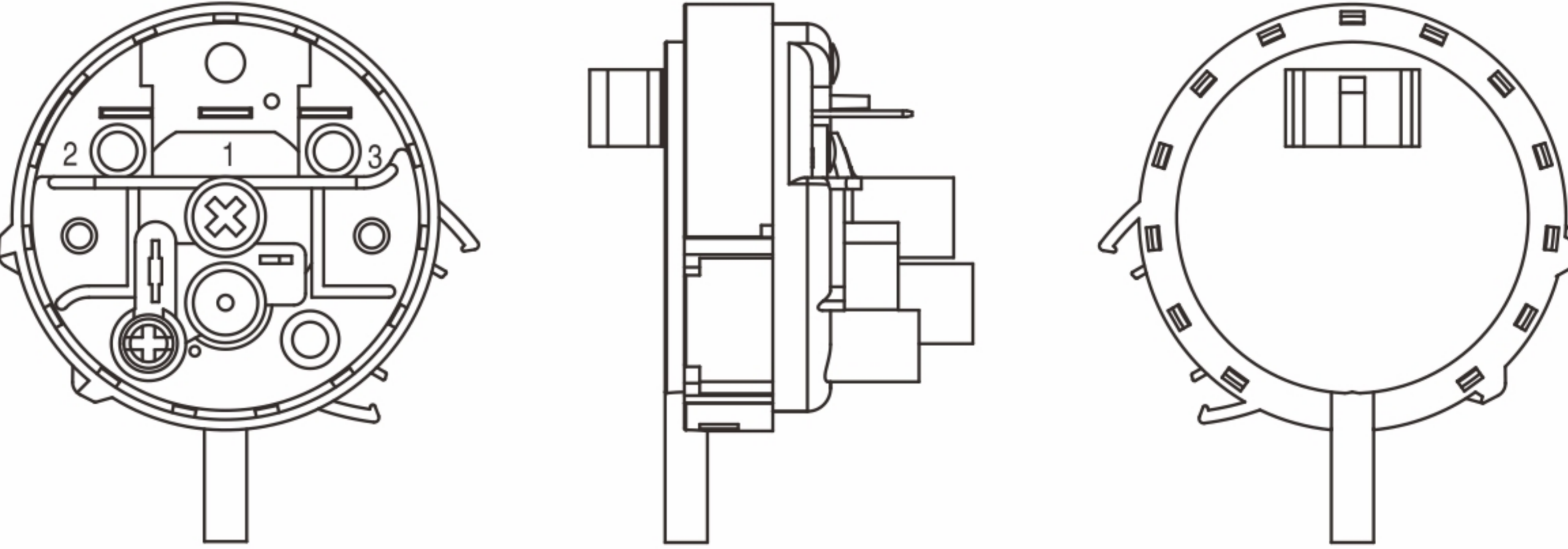
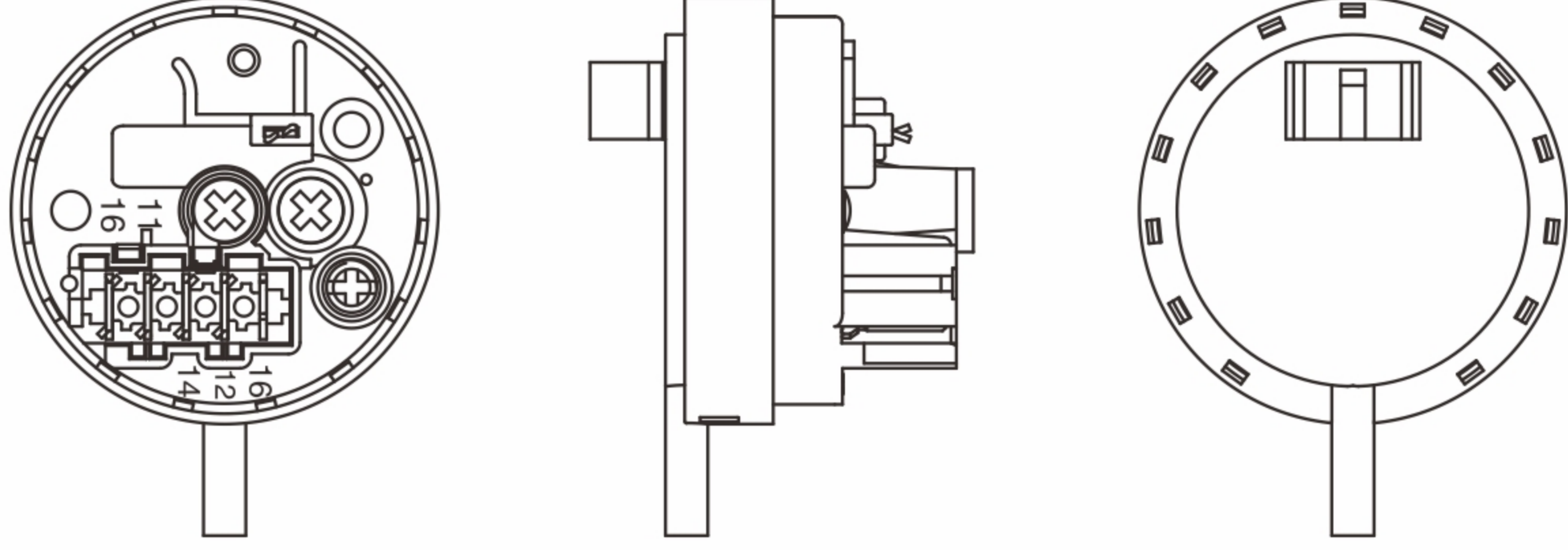
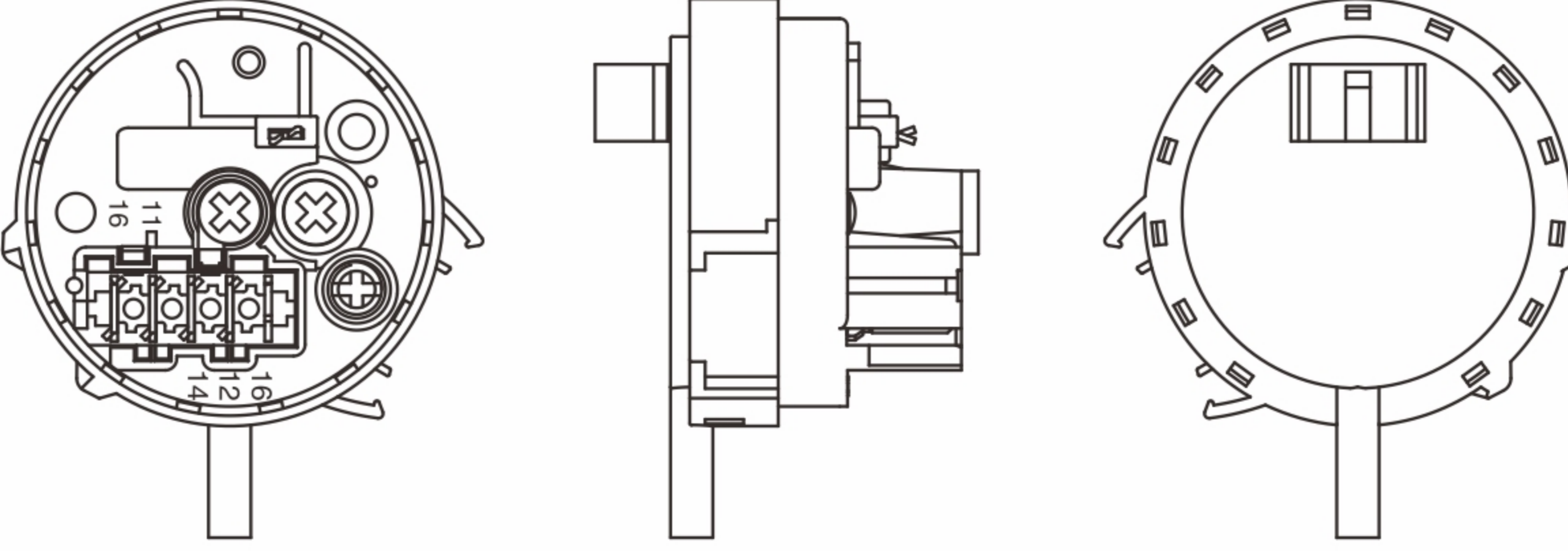
型號 Model	動作值 mmH ₂ O Action value	復位值 mmH ₂ O Reset value	溢流 mmH ₂ O Overflow
PRS1-□DE	100 ± 3	78 ± 3	300 ± 25
PRS1-□DF	70 ± 3	50 ± 3	340 ± 25

PRS1-□AA
PRS1-□AB
PRS1-□AC
PRS1-□AD



型號 Model	動作值 mmH ₂ O Action value	復位值 mmH ₂ O Reset value	壓差 Differential pressure
PRS1-□AA	140 ± 3	120 ± 3	≥ 18
PRS1-□AB	135 ± 3	115 ± 3	≥ 18
PRS1-□AC	83 ± 3	63 ± 3	≥ 18
PRS1-□AD	59 ± 3	40 ± 3	≥ 18

◆ 結構型式說明圖 Structural style illustration

<p>普通式 無卡扣 Ordinary type without buckle</p>	
<p>普通式 有卡扣 Ordinary type with buckle</p>	
<p>插座式 無卡扣 Socket type without buckle</p>	
<p>插座式 有卡扣 Socket type with buckle</p>	

微動開關系列
MICRO SWITCH SERIES

防水開關系列
WATERPROOF SWITCH SERIES

其他開關系列
OTHER SWITCH SERIES