

## KXZ2旋轉開關系列

### ◆ 特點和用途 Characteristics and usage

- 有多種檔位和多種換檔旋轉角度  
Various gears and various shifting rotation angles
- 可自動復位  
Automatic resettable
- 用于料榨機等家用電器  
Used in home appliances, such as Blender



### ◆ 技術特性 Technical Characteristics

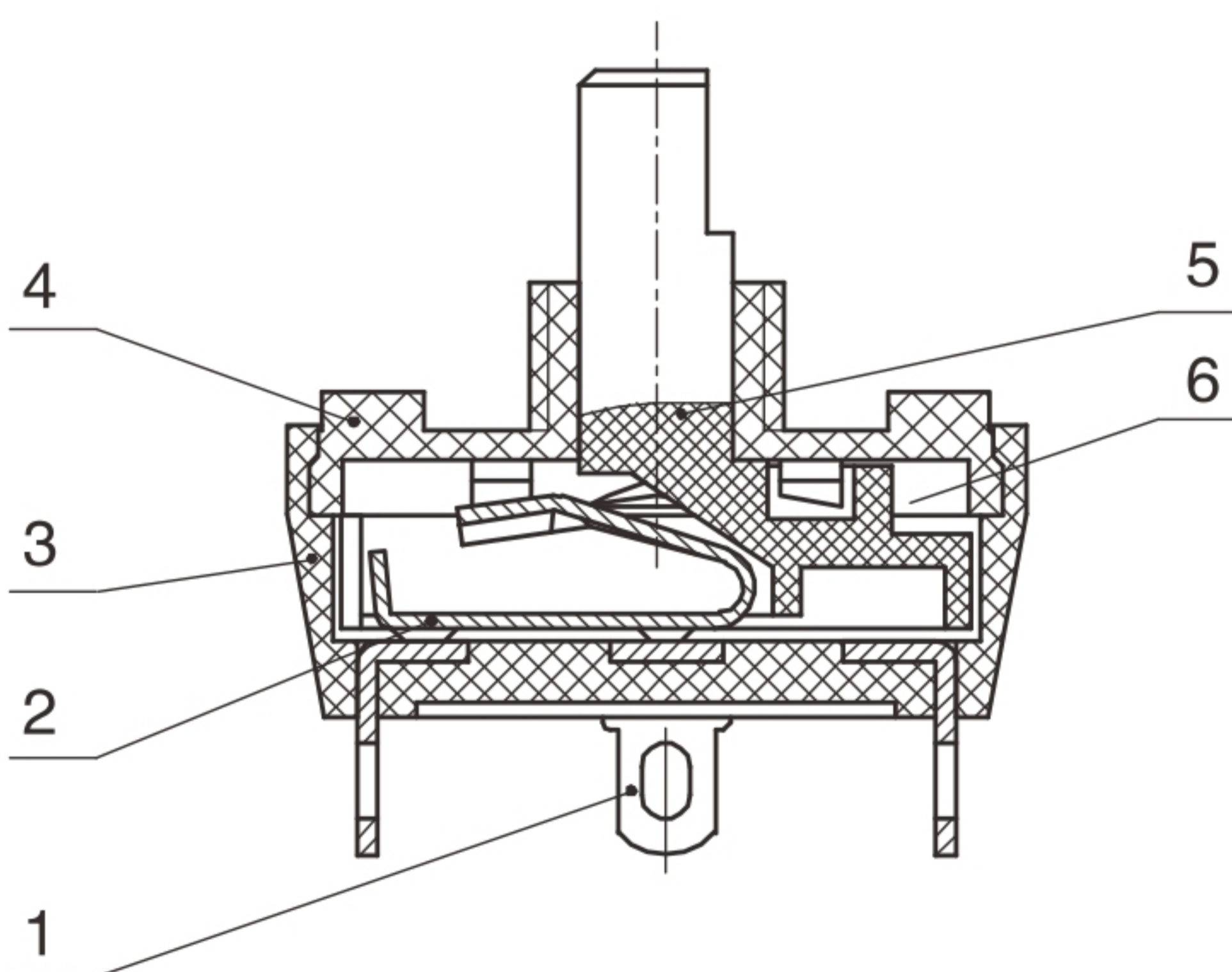
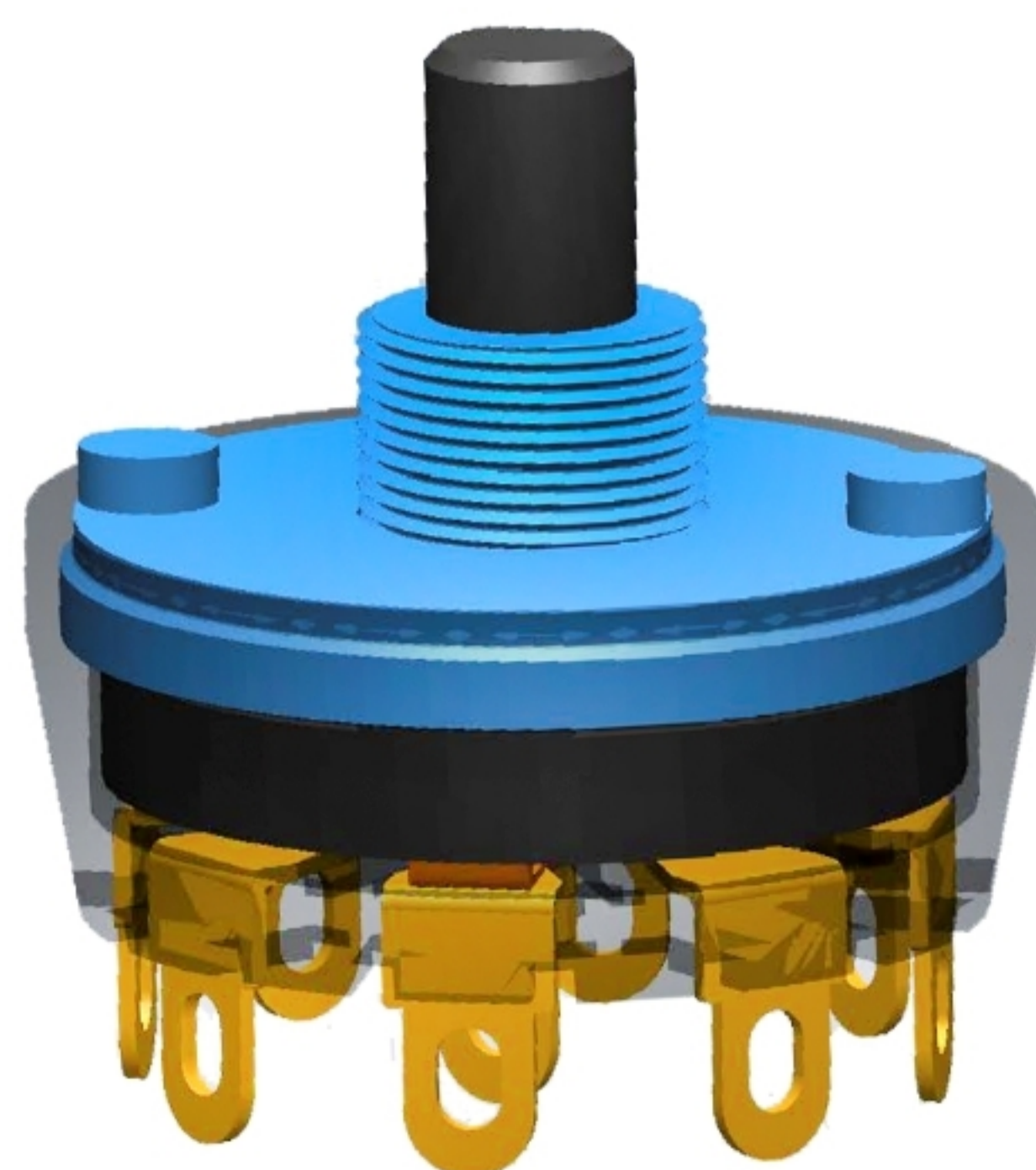
項目 Item		特性值 Value
環境溫度 Environment temperature		-25 ~ +105°C
相對濕度 Relative humidity		95%, 40°C
額定電流/電壓 Rated current / voltage		8GPA125VAC, 6(3)A250VAC
旋轉角度 Rotary angle		45°/檔 position ; 36°/檔 position ; 30°/檔 position
絕緣電阻 Insulation resistance		≥ 100MΩ (DC500V)
接觸電阻 Contact resistance		≤ 50mΩ
耐電壓 Test voltage	端-端 Terminal-terminal	AC1500V
	端-殼 Terminal-case	AC1500V
電氣壽命 Electrical life		10,000次/cycles
質量 Weight		約11.5g Approx. 11.5g
安全認證 Safety approvals		UL、CUL、ENEC、DEMKO、CQC

## ◆ 型號規格命名及含義 Model number legend and meanings

KXZ2-□□□-□□-(□)  
 1 2 3 4 5 6

1 外形特徵 Outline characteristics	A:換檔角度45° Shifting rotation angle 45° 軸長8 Axis length 8	3 端子規格 Terminal specs	A:3.8×0.8×5.5 B:2.4×0.8×5.5
	B:換檔角度45° Shifting rotation angle 45° 軸長13.5 Axis length 13.5		4 空檔位代號 Neutral position code
2 功能代號 Function code	C:換檔角度30° Shifting rotation angle 30° 軸長8 Axis length 8	5 自動復位代號 Automatic reset code	
	D:換檔角度30° Shifting rotation angle 30° 軸長13.5 Axis length 13.5		6 附加代號 Additional specs code
E:換檔角度36° Shifting rotation angle 36° 軸長8 Axis length 8	4: 4個輸出端子(檔) 4 pin 5: 5個輸出端子(檔) 5 pin n: n個輸出端子(檔) n pin 注: 公共端不計入端子數 Note: Common terminal is not included in the terminal number	適用于 apply to: 顧客有特殊要求時 When customer has particular requirements.	
F:換檔角度36° Shifting rotation angle 36° 軸長13.5 Axis length 13.5			

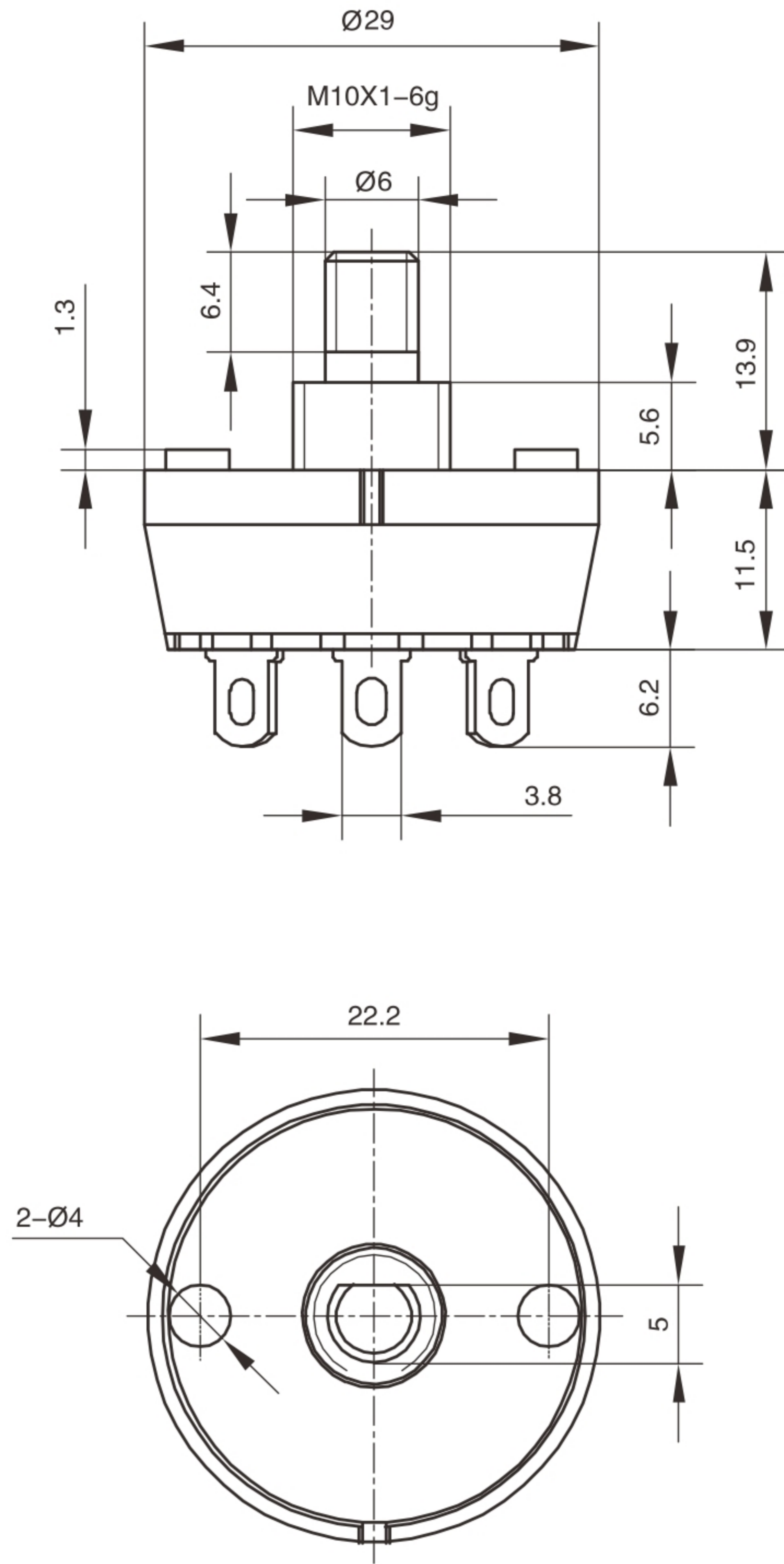
## ◆ 內部構造圖 Internal configuration drawing



- 1: 端子 Terminal
- 2: 簧片 Spring sheet
- 3: 基座 Base
- 4: 蓋 Cover
- 5: 轉軸 Run axis
- 6: 彈簧 Spring

To provide a safe and reliable on-off service, let electric appliances more perfect

◆ 外形尺寸圖 Dimensions drawing



◆ 電路轉換功能表(示例) Circuit transform function table (examples)

KXZ2-A8A-00電路轉換功能表

KXZ2-A8A-00 Circuit transform function table

旋轉角度 Rotary angle								
電路圖 Schematic diagram								