

AS1型空氣開關組件 Air switch assembly

◆ 特點和用途 Characteristic and usage

- 將電與人隔離，更加安全。

It is safer to isolate electricity from people.

- 廣泛應用於洗碗機,垃圾粉碎機,淨水機等家用電器的配套。

Widely used in dishwasher, garbage crusher, water purifier and other home appliances.



◆ 技術特性 Technical Characteristics

項目 Item		特性值 Value
工作頻率 Operating frequency		電氣 10次/min Electrical 10 cycles/min
絕緣電阻 Insulation resistance		冷態 $\geq 100\text{M}\Omega$ (500VDC); 潮態 $\geq 10\text{M}\Omega$ (500VDC) Cold state $\geq 100\text{M}\Omega$ (500VDC); Tidal state $\geq 10\text{M}\Omega$ (500VDC)
接觸電阻 Contact resistance		$\leq 50\text{m}\Omega$
耐電壓 Test voltage	同極不相接端子間 Between terminals of the same polarity	AC1000V,50/60Hz, 1min
	帶電金屬零件與地(外殼)之間、接綫端與不帶電金屬件之間 Between current-carrying metal parts and ground(case), and between each terminal and non-current-carrying metal parts.	AC1500V , 50/60Hz, 1min
抗振動 Vibration resistance		10 ~ 55Hz, 1.5mm雙振幅 Double amplitude
插座性能 Socket performance		將插座反復拔插5000次 Unplug the socket 5000 times repeatedly
壽命 Life		電氣 $\geq 15,000$ 次; Electrical $\geq 15,000$ cycles

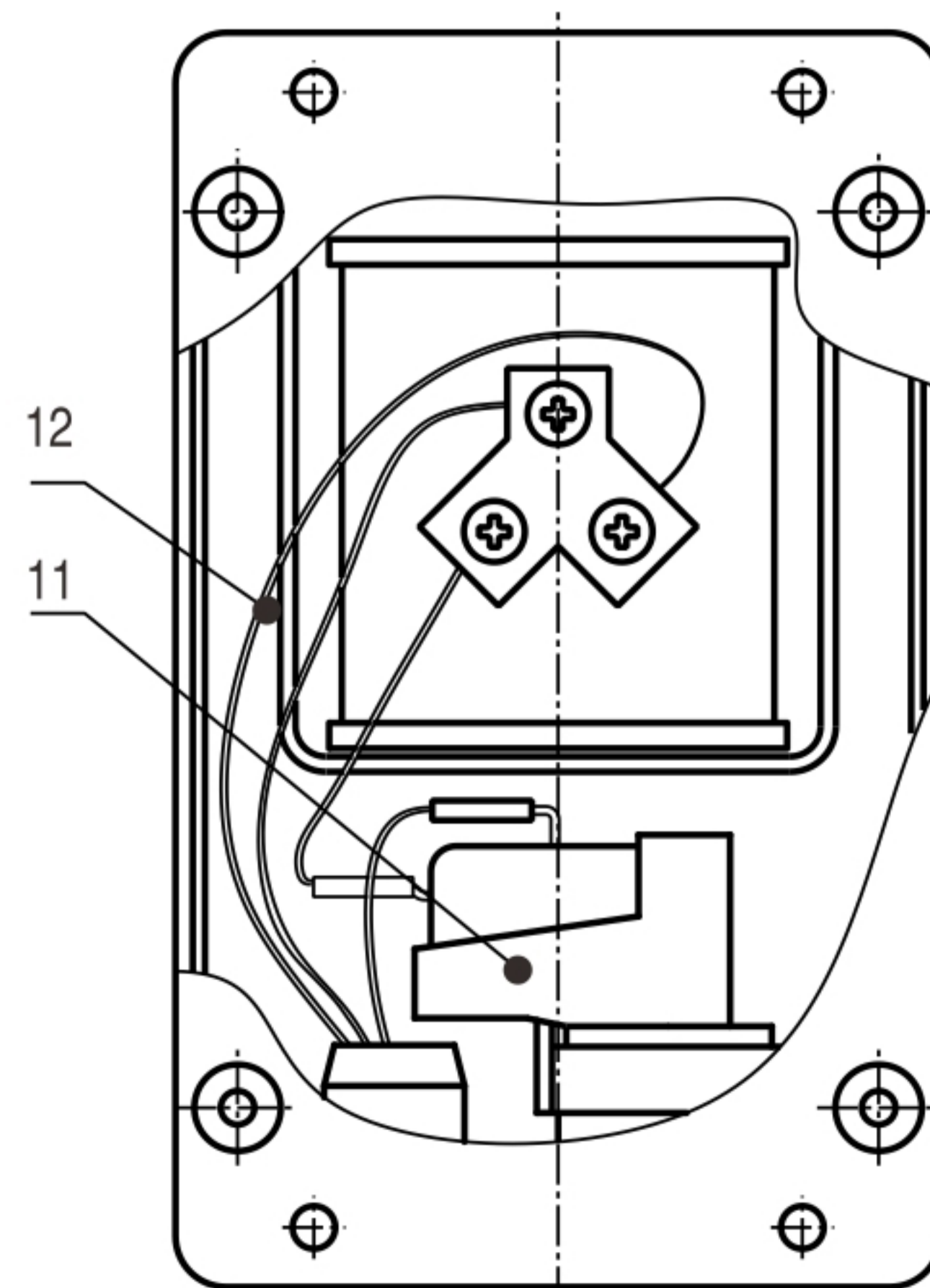
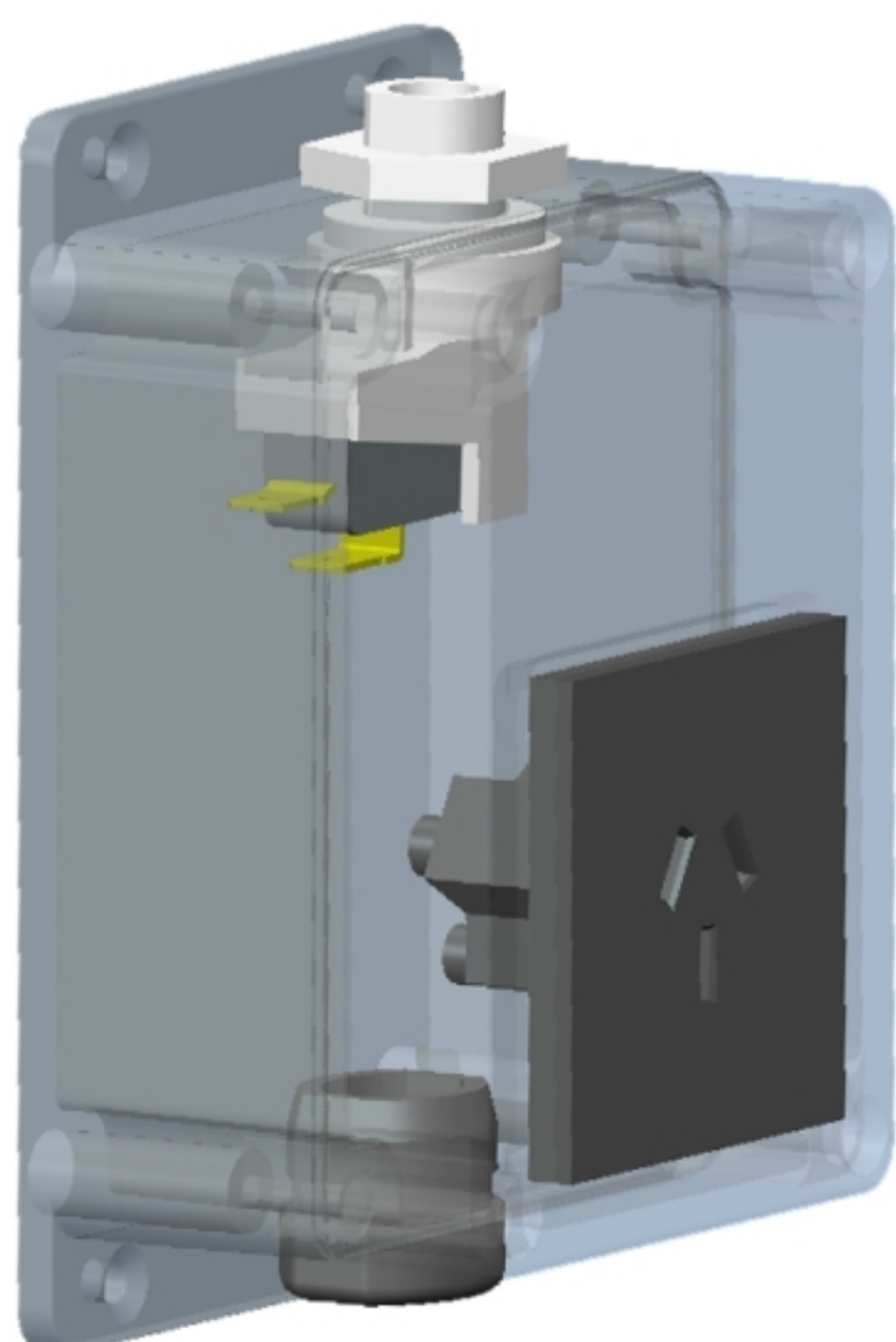
To provide a safe and reliable on-off service, let electric appliances more perfect

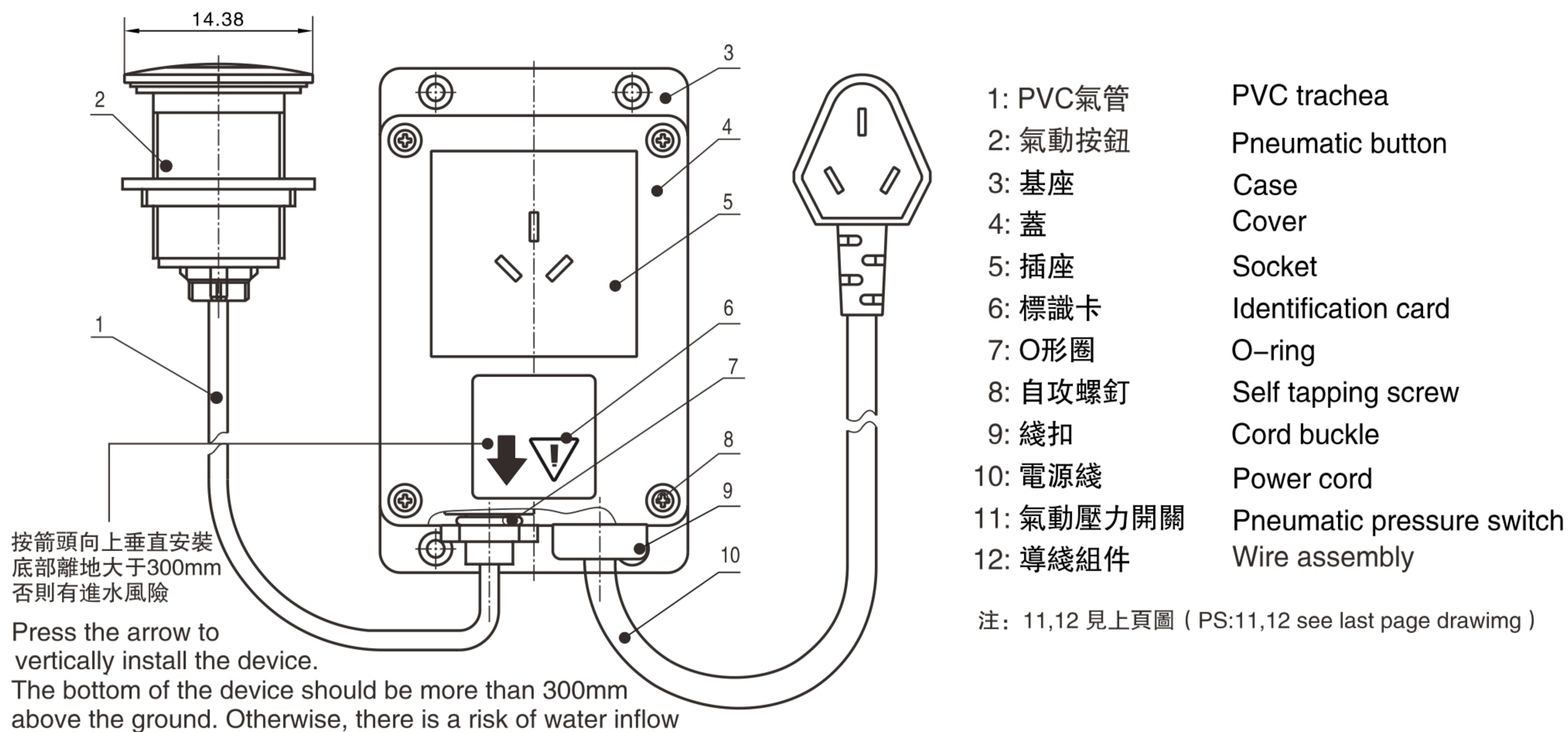
◆ 型號規格命名及含義 Model number legend and meanings

AS1 □ □ - □ □ - □ □ - (□)
1 2 3 4 5 6 7

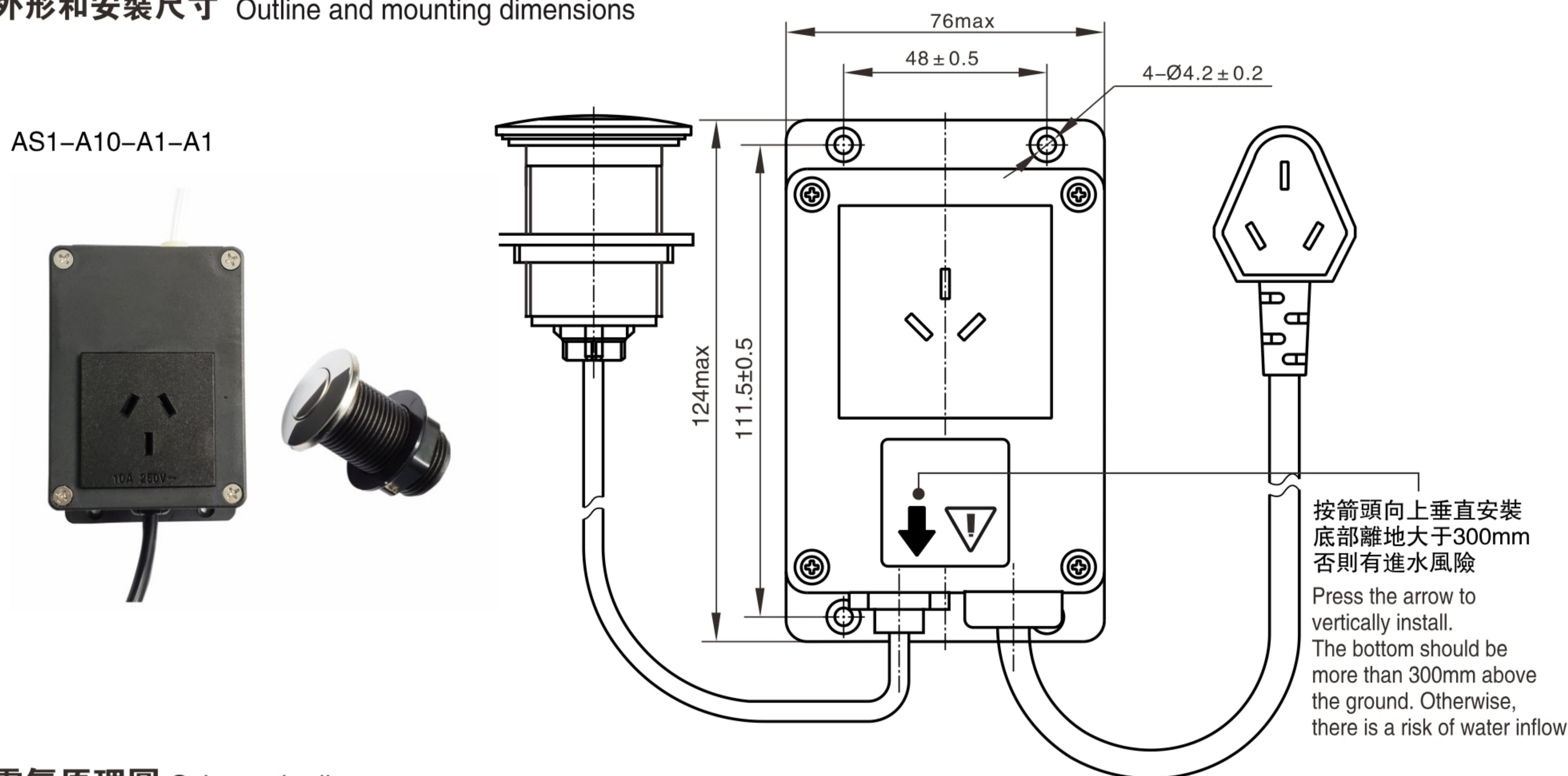
1 插孔類別代號 Jack category code	A—國標 National standard B—歐標/德標 European standard/German standard C—美標 American Standard D—法標 Legal standard E—英標 British Standard F—澳標 Australian Standard	4 外殼結構特 徵代號 Shell structure characteristic code	2個三插ST-A02-003K, 1個兩插ST-A02-002C 2—Cuboid, 156 × 76 × 95 black; 1 triple plugs ST-A02-003K, 1 two plugs ST-A02-002C
		5 氣動按鈕規格 代號 Specification code of pneumatic button	A—ANQ1-B32B-850
2 插座額定值 代號 Socket rating code	10—10A 250VAC	6 電源插頭特徵 代號 Characteristic code of power plug	1—國標3插，黑色導綫53RVV， 綫長950 ± 50mm 1—National standard triple plugs, black wire 53 RVV, wire lenth 950 ± 50mm 2—LBY-16(220VAC, 10A連體漏電插頭)， 國標3插，黑色導綫53RVV，綫長1500 ± 50mm 2—LBY-16(220VAC, 10A leakage plug with head), national standard triple plugs, black wire 53RVV, wire lenth 1500 ± 50mm
3 微動開關規格 代號 Specification code of microswitch	A—KW3AT-E21T0B- A200B		
4 外殼結構特 徵代號 Case structure characteristic code	1—長方體，123 × 75 × 54.5 黑色；1個三插 1—Cuboid, 123 × 75 × 54.5 black; 1 triple plugs 2—長方體，156 × 76 × 95 黑色；	7 附加代號 Additional code	與標準規格有不同處，用01,02……表示。 There are differences with the standard specifications, shows as 01,02……

◆ 內部構造圖 Internal configuration drawing

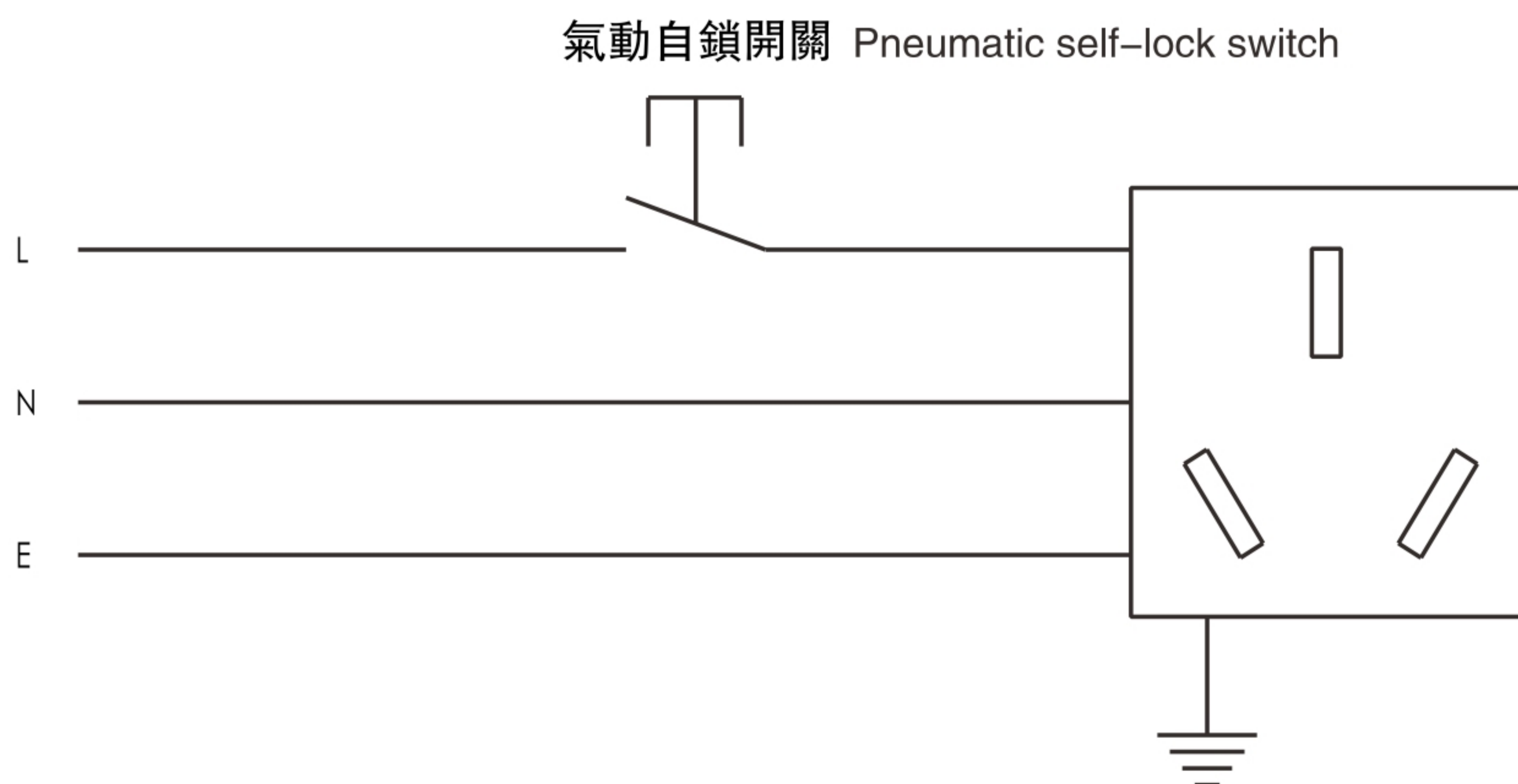




◆ 外形和安裝尺寸 Outline and mounting dimensions



◆ 電氣原理圖 Schematic diagram



To provide a safe and reliable on-off service, let electric appliances more perfect