

ANQ1型氣動按鈕 Pneumatic button

◆ 特點和用途 Characteristics and usage

- 結構穩定，裝配更加方便。
Stable structure and easy assembly.
- 軟管和接頭之間連接穩固，氣密性好。
The connection between the hose and the joint is stable and the air tightness is good.
- 主要應用于垃圾處理器、按摩浴缸等開關控制用。
It is mainly used for garbage disposal, massage bathtub and other switch control.



◆ 型號規格命名及含義 Model number legend and meanings

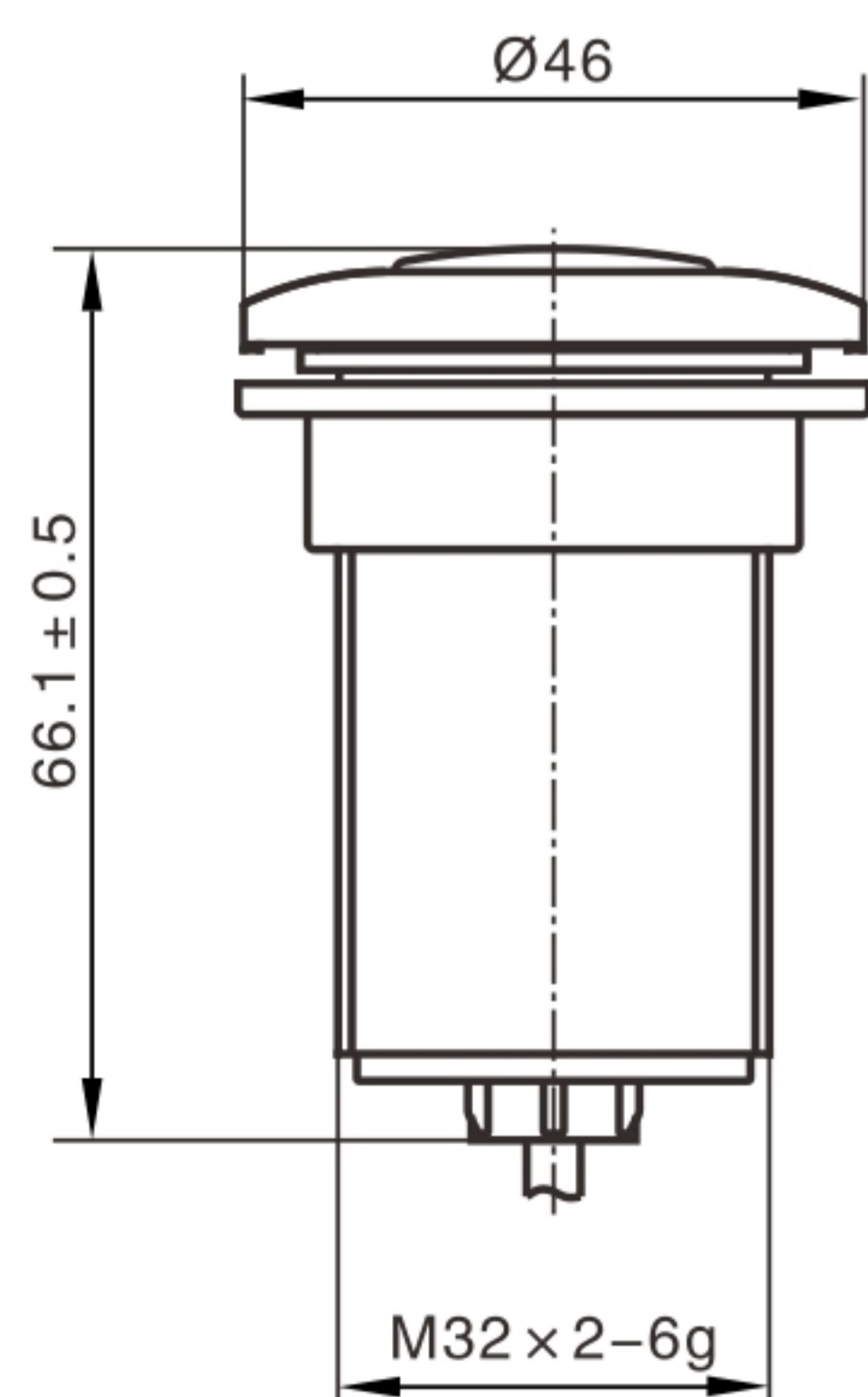
ANQ1-□□□-□-(□)
1 2 3 4 5

1 外蓋材質代號 Material code of outer cover	H—黃銅 Brass B—不銹鋼 Stainless steel	4 尾部有無帶氣管代號 Does the tail have the code of air pipe	O—無氣管 No trachea □—氣管長度(毫米數) Length of trachea (mm)
2 外殼螺紋代號 Case thread code	32—M32×2 28—M28×2	5 附加代號 Additional code	與標準規格有不同處，用01,02……表示。 There are differences with the standard specifications, shows as 01,02……
3 外殼顏色代號 Case color code	W—白色 White B—黑色 Black		

◆ 外形和安裝尺寸

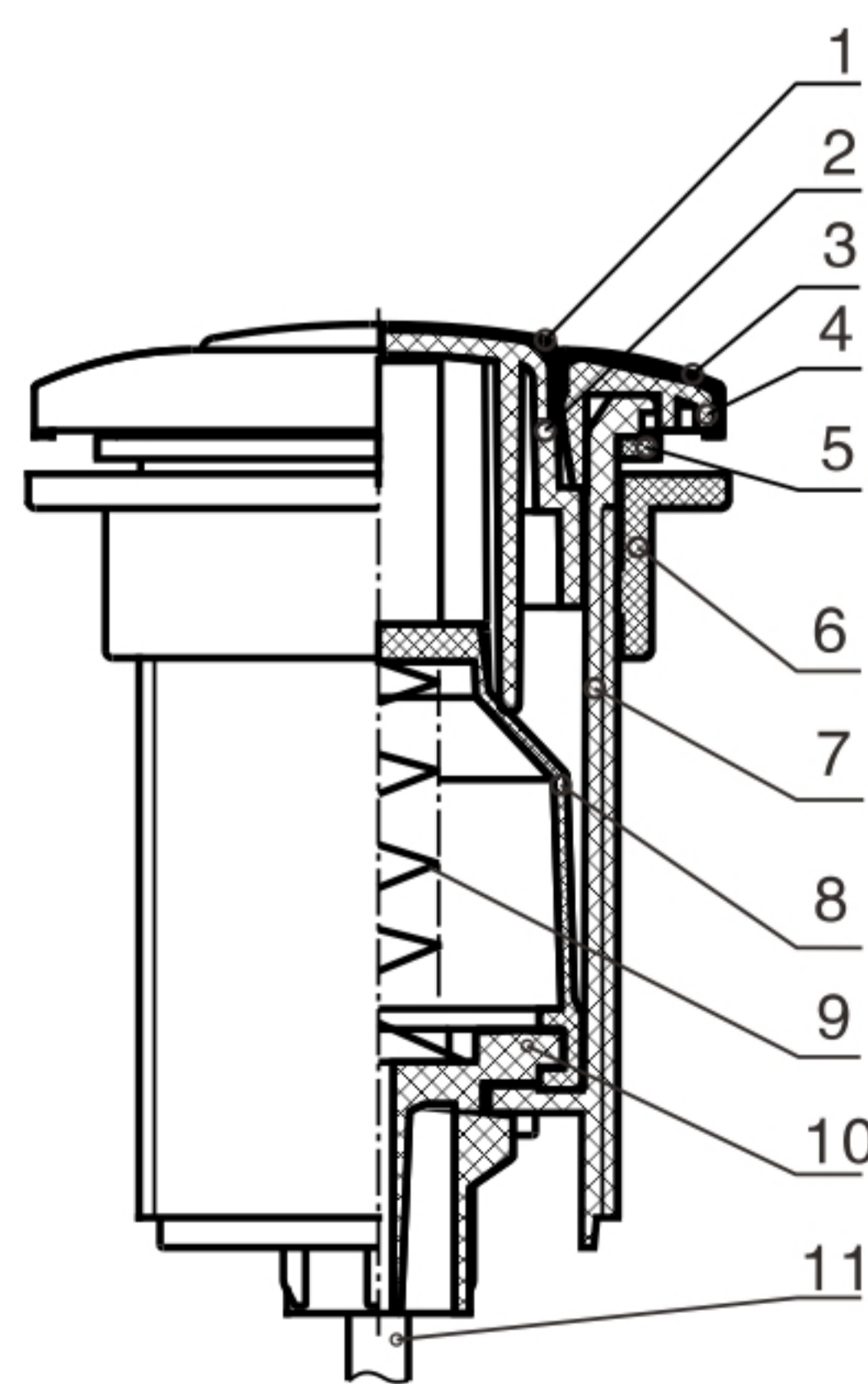
Outline and mounting dimensions

ANQ1-B32B-□



◆ 內部構造圖

Internal configuration drawing



- | | |
|-----------|--------------|
| 1: 按鈕帽 | Button cap |
| 2: 按鈕 | Button |
| 3: 外蓋 | Outer cover |
| 4: 按鈕蓋 | Button cover |
| 5: 墊圈 | Washer |
| 6: 螺紋圈 | Screw ring |
| 7: 外殼 | Shell |
| 8: 氣囊 | Gasbag |
| 9: 彈簧 | Spring |
| 10: 氣嘴 | Air nozzle |
| 11: PVC氣管 | PVC trachea |