



强珠
QIANGZHU

强珠传动·全程同步

Qiangzhu transmission, complete synchronize



K.S.R.F 系列斜齿轮减速机

K.S.R.F SERIES HELICAL GEAR SPEED REDUCERS



佛山市南海珠江减速机有限公司

FOSHAN NANHAI ZHUJIANG REDUCTION GEAR CO.,LTD.

地址:广东省佛山市南海区狮山镇南海经济开发区(狮山园)北园工业区兴业北路
Add: Xingye Road, North Area, Shishan Industrial Park, Nanhai District,
Foshan City, Guangdong Province, China.

电话/Tel: +86-757-86788048 / 86772275 传真/Fax: +86-757-86717052 / 86783598
网站/http://www.qiangzhu.cn 电子邮件/E-mail: qiangzhu@qiangzhu.cn

2021版



公司主页



Company homepage

佛山市南海珠江减速机有限公司
FOSHAN NANHAI ZHUJIANG REDUCTION GEAR CO.,LTD.

强珠传动 全程同步
Qiangzhu Transmission, Complete Synchronize



目录 CONTENTS

1.概述 Overview

1.1 公司简介 Company Brief Instruction	001
1.2 选型指南 Guide for Model Selection	002-012
1.3 安装形式 Mounting Position	013-014
1.4 装配示意图及型号说明 Schematic Diagram of Assembly and Model Instruction	015-024

2.K系列斜齿轮—伞齿轮减速电机 K series helical gear spiral bevel gear speed reducer

2.1 K系列产品设计方案 K series Products design	025-027
2.2 选型表 Coefficient tables	028-048
2.3 安装尺寸图 (mm) Gearbox dimensions	049-092

3.S系列斜齿轮—蜗轮蜗杆减速电机 S series helical gear* worm gear speed reducers

3.1 S系列产品设计方案 S series Products design	093-094
3.2 选型表 Coefficient tables	095-104
3.3 安装尺寸图 (mm) Gearbox dimensions	105-131

4.R系列斜齿轮减速电机 R series helical gear speed reducers

4.1 R系列产品设计方案 R series Products design	132
4.2 选型表 Coefficient tables	133-163
4.3 安装尺寸图 (mm) Gearbox dimensions	164-182

5.F系列平行轴—斜齿轮减速电机 F series parallel shaft helical gear speed reducers

4.1 F系列产品设计方案 F series Products design	183-184
4.2 选型表 Coefficient tables	185-202
4.3 安装尺寸图 (mm) Gearbox dimensions	203-242

6.附录 Appendix

243-249



公司简介

Company brief introduction

佛山市南海珠江减速机有限公司（下称“公司”）创建于八十年代末，位于广东省佛山市南海区狮山镇南海经济开发区（狮山园）北园工业区兴业北路，公司拥有员工 280 多名，高中级技术人员三十多名，其中高级工程师十名，占地面积 5 万平方米，建筑面积 4.5 万平方米，公司专业生产各类型减速机，是国内大型的减速机制造商，在同行业具有较高评价。

公司在近五年不断对加工设备及检测设备进行升级改造，现有主要加工设备为立式/卧式加工中心、数控磨齿/滚齿机、数控车/铣床等等将近 200 台精密设备及 70 台普通加工设备，并配备齿轮检测中心、三坐标检测中心等高端精密检测设备对工件状况进行监控，并随企业发展过程不断优化加工结构及产品结构。公司加工设备装备先进性和规模性在国内同行尤其是广东省内是少有且别具优势。以数控化、程序化等先进设备技术确保加工的工件稳定性维持在一定的高水平，故公司产品消费群体广泛分布在木工机械、玻璃机械、食品机械、包装机械、陶瓷机械、电力行业及一系列通用机械行业，并取得了市场对公司产品品质稳定性的普遍认同。

佛山市南海珠江减速机有限公司以“创造二十一世纪新型减速机制造业”为己任，必将以更多更好的优质产品为广大减速机应用行业服务。

Foshan Nanhai Zhujiang Reduction Gear Co.,Ltd(the "Company") was established in 1980s,located in Nanhai District , Foshan City ,Guangdong Province , We have around 280 employees, technical engineers are up to 30,10 of them are senior engineer.accounting land area of 50,000 square meters, construction area of 45 , 000 square meters , the company specializes in the production of various types of gearbox, we are one of the larger gearbox manufacturer in the South China.

In the past five years , the company constantly on the processing equipment and testing equipment to upgrade the existing main processing equipment for vertical /horizontal machining centers,CNC grinding teeth / hobbing machine , CNC lathe/milling machine and so on nearly 200 stations and 70 sets of precision equipment Normal processing equipment,and equipped with gear testing centers , coordinate testing center and other high - precision testing equipment to monitor the condition of the workpiece,and with the development of enterprises continue to optimize the machining process structure and product structure.Company processing equipment and equipment advanced and scale in the domestic counterparts,especially in Guangdong province , is a rare and unique advantages.In NC,procedures and other advanced equipment and technology to ensure the stability of workpieces maintained at a certain high level,so the company's products are widely distributed consumer groups in woodworking machinery , glass machinery , food machinery , packaging machinery , ceramic machinery , power industry and a series of general machinery industry ,and has made the market for our products quality and stability of the generally recognized.

20 years of top-down Pearl who always care management reducer production and sales, the relentless pursuit of brand products , with performance improving the image of the concept of gear , the products have been sold to various regions and cities across the country, the majority of users.

选型指南

Guide for choosing

传动装置选型数据 Drive selection data

准确地确定所需传动装置，下表所列的数据是必需的：

Certain data are essential to specify the components for your drive. These are:

传动装置选型数据			
n_{amin}	最小输出转速 Minimum output speed	[rpm]	
n_{amax}	最大输出转速 Maximum output speed	[rpm]	
P_{a at n_{amin}}	最低输出转速下的输出功率 Output power at minimum output speed	[kW]	
P_{a at n_{amax}}	最高输出转速下的输出功率 Output power at maximum output speed	[kW]	
M_{a at n_{amin}}	最低输出转速下的输出扭矩 Output torque at minimum output speed	[Nm]	
M_{a at n_{amax}}	最高输出转速下的输出扭矩 Output torque at maximum output speed	[Nm]	
F_R	输出轴径向力。假设载荷作用在轴伸的中点，如果不一致，请确定径向力准确的作用点、作用角度和轴的旋转方向以便进行校核计算。 Overhung load on output shaft. Assumes force application is in the center of shaft end. If not, please specify the exact application point indicating the application angle and direction of rotation of the shaft for a check calculation.	[N]	
F_A	输出轴轴向负载（拉力和压力） Axial load (tension and compression) on output shaft	[N]	
J_{load}	被驱动件的转动惯量 Mass moment of inertia to be driven	[10 ⁻⁴ kgm ²]	
R/F/K/S M1-M6	所需减速机类型和安装位置 Required gear unit type and mounting position(→ Sec. Mounting positions, churning losses)	-	
IP..	外壳防护等级 Required protect rank	-	
θ_{env}	环境温度 Ambient temperature	[°C]	
H	海拔高度 Altitude	[m above sea level]	
S... ..%Cdf	工作制和负载持续率cdf; 也可给出精确的负载周期图 Operating mode and intermittency factor cdf; alternatively, exact load cycle can be specified	-	
Z	启停频率; 也可给出精确的负载周期图 Starting frequency; alternatively, exact load cycle can be specified	[no. per h]	
f_{mains}	电源频率 Supply frequency	[Hz]	
V_{mot} V_{brake}	电机工作电压和制动器电压 Operating voltage of motor and brake	[V]	
M_B	所需制动力矩 Required braking torque	[Nm]	
对于变频器运行 For inverter operation: 控制模式和设置范围 Required control mode and setting range			

选型流程图 Project planning sequence

例 Example 带有位置要求驱动方案的流程图, 所涉及的减速电机由变频器控制
The following flowchart displays a schematic view of the procedure for planning a project incorporating a positioning drive. The drive comprises a geared motor which is powered by an inverter.



图: 选型应用流程图
Figure: Project planning process

QZ减速机的效率 Efficiency of QZ gear units

减速机的效率主要由齿轮啮合和轴承摩擦损失所决定的。
减速机运行初期的效率总是比正常运行时要低, 尤其是斜齿轮蜗轮蜗杆和螺旋平面减速机更为明显。
The efficiency of the gear units is mainly determined by the gearing, mesh and bearing friction. Please note that the starting efficiency of a gear unit is always less than its efficiency at operating speed. This fact is especially obvious in helical-worm right-angle geared motors

R. F. K减速机 R. F. K gear units

斜齿轮、平行轴、斜齿轮-锥齿轮减速机的效率是根据减速级数确定, 在94%(3级)~98%(1级)之间。
The efficiency of helical, parallel shaft and helical-bevel gear units varies according to the number of gear stages, between 94%(3-stage) and 98%(1-stage).

S减速机 S gear units

斜齿轮蜗杆减速机由于生产高损失的滑动摩擦, 所以它们比R. F. K减速机损失大、效率低, 主要是由以下因素决定:
斜齿轮蜗杆级的传动比
输入转速
齿轮箱温度

QZ设计的斜齿轮蜗杆减速机比单级的蜗轮蜗杆减速机的效率有明显的提高, 对于很大速比的斜齿轮蜗轮蜗杆才有可能其效率 $\eta < 0.5$ 。

The gearing in helical-worm and gear units produces a high proportion of sliding friction. As a result, these gear units may have higher gearing losses than R, F or K gear units, and thus be less efficient. The cause of factors are:

- Gear ratio of the helical-worm
- Input speed
- Gear unit temperature

QZ gear units are designed as helical worm which makes them significantly more efficient than standard worm gear units. The efficiency may reach $\eta < 0.5$ if the helical-worm stage has a very high ratio step.

自锁条件 Self-locking condition

在斜齿轮-蜗轮蜗杆上加反向力矩会产生一个反向效率 $\eta' = 2-1/\eta$, 其值明显小于正向效率 η , 如果正向效率 $\eta < 0.5$, 那么斜齿轮蜗轮蜗杆减速机就会自锁。仅有少量大速比的QZ斜齿轮蜗轮蜗杆减速机静态自锁。如果想利用自锁的制动效果特点请向QZ咨询。

Retrodriving torques on helical-worm gear units produce an efficiency of $\eta' = 2-1/\eta$, which is significantly less favorable than the forwards efficiency η . The helical-worm or Spiroplan® gear unit is self-locking if the forwards efficiency $\eta \leq 0.5$. A few QZ helical-worm gear units with the largest gear ratio are statically self-locking. Please contact QZ if you wish to make technical use of the braking effect of self-locking characteristics.

运行初始阶段 Running-in phase

由于新的斜齿轮蜗杆减速机齿面不够光滑、摩擦角较大, 所以效率较正常运行时要小, 这种影响在大传动比时变得更加明显。

The tooth flanks of new helical-worm and gear units are not yet completely smooth. For the friction angle is greater, the efficiency will be less than later operation. This effect becomes more apparent in the greater ratio.

在运初始阶段，所给定的效率值应减去表中数值；
In the first beginning, the given efficiency number should minus a number as follows:

	Helical-worm	速比的范围 i range
1start	approx.12%	approx.50-280
2start	approx.6%	approx.20-75
3start	approx.3%	approx.20-90
4start	-	-
5start	approx.3%	approx.6-25
6start	approx.2%	approx.7-25

经过连续24小时运行，斜齿轮蜗轮蜗杆满足以下条件可以达到给出的额定效率：
The running-in phase normally lasts 24 hours. Helical-worm gear units achieve their listed rated efficiency values when:

- 减速机经过充分的试运行
the gear unit has been run in completely
 - 减速机达到正常运行温度值
the gear unit has reached normal operation temperature
 - 加入推荐的润滑剂
the recommended lubricant has been filled in
- 减速机在额定的负载范围内工作
the gear unit is working within the rated load range

搅动损失
Churning losses

在某些安装位置，第一级小齿轮完全浸在油中，对于大机座号减速机和有较高输入转速的减速机，搅动损失会急剧上升，不能忽视。因此，当遇到此类情况请向QZ咨询。
如果可能，对于R、K和S系列减速机尽量使用M1安装位置以确保较小的搅动损失。

In certain gear unit mounting positions the first reduction stage is completely immersed in the lubricant. For larger gear unit sizes and high circumferential velocities of the input stage, this gives rise to churning losses constituting a factor which cannot be ignored. Please contact QZ if you wish to use gear units of this type.

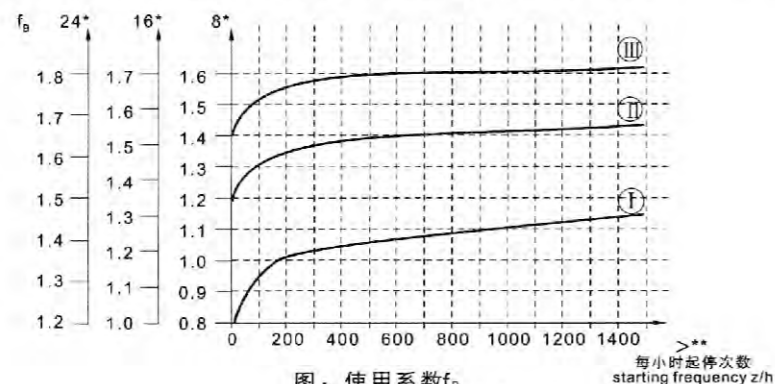
If possible, use the mounting position M1 for R, K and S gear units in order to keep the churning losses in low.

■ 使用系数(一)
Service factor(One)

决定使用系数的因素
Determining of the service factor

选用减速机要考虑一定的使用系数用 f_b 表示，使用系数 f_b 由每天的运行时间和起停频率所决定，根据惯量加速系数确定的三种负载类型也要考虑，可以从图中读取驱动方案的使用系数，从图中确定的使用系数一定要小于或等于从选型表中所给定的QZ使用系数。

Gear unit selection needs to consider a certain factor which we use f_b to express. This service factor is determined by the daily operating time and the starting frequency. Three load classification-s are also considered to depend on the mass acceleration factor. You can read the different service factor from the figure as follows. The service factor determined using this diagram must be small than or equal to the QZ service factor as given in the selection tables.



图：使用系数 f_b
Fig: Service factor f_b

*运行小时/天

Daily operating time in hours/day

**起停次数，包括所在的起停和制动过程，所括从低到高，从高到低变换过程。
Starting frequency Z: The cycles include all starting and braking procedures as well as changes from low to high and high to low speed.

负载类型

Load classification

三种负载类型：

Three load classifications are differentiated:

- 1 均匀载荷，允用的惯性加速系数 ≤ 0.2
Uniform, approved mass acceleration factor ≤ 0.2
- 2 中等冲击载荷，允用的惯性加速系数 ≤ 3
Moderate shock load, approved mass acceleration factor ≤ 3
- 3 强冲击载荷，允用的惯性加速系数 ≤ 10
Severe shock load, approved mass acceleration factor ≤ 10

惯性加速系数

Mass acceleration factor

惯性加速系数的计算方式：

The mass acceleration factor is calculated as follows:

$$\text{惯性加速系数} = \frac{\text{所有的外部转动惯量}}{\text{电动机的转动惯量}}$$

$$\text{Mass acceleration factor} = \frac{\text{All external mass moments of inertia}}{\text{Mass moment of inertia on the motor end}}$$

所有的外部转动惯量是指被驱动装置加上减速机相对于电机转速的转动惯量，

折算公式如下： $J_x = j \cdot \left(\frac{n}{n_m}\right)^2$

"All external mass moments of inertia" are the mass moments of inertia of the driven machine and the gear unit, scaled down to the motor speed. The calculation for scaling down to the motor speed performed using the following formula:

$$J_x = j \cdot \left(\frac{n}{n_m}\right)^2$$

J_x = 相对于电机轴的外部转动惯量

J_x = Reduced mass moment of inertia on the motor shaft

J = 相对于减速机输出轴的外部转动惯量

J = Mass moment of inertia referenced to the output speed of the gear unit

N = 减速机的输出转速

N = Output speed of the gear unit

N_m = 电机转速

N_m = Motor speed

电机的转动惯量，若配有制动器和高惯量飞轮(Z风扇)则要相应增加所配部件的转动惯量。

"Mass moment of inertia on the motor if it equips the brake and the flywheel fan(Z fan), the components' mass moment of inertia should be increased at the same time.

惯性加速系数大于10，要求传动部件高平稳性及大的径向负载时使用系数 f_b 就大于1.8，此类情况请向QZ咨询。

Service factors $f_b > 1.8$ may occur with large mass acceleration factors (> 10), high levels of play in the transmission elements or large overhung loads. Please contact QZ in this case.

QZ使用系数 QZ - f_b

确定最大持续运行扭矩 M_{max} 和由此推导出的使用系统 $f_b = M_{max}/M_a$ 是不标准的，

并且不同的制造商之间有很大不同。QZ使用系数 $f_b = 1$ 是，QZ驱动设备在疲劳强度范围内能提供相当高的工作安全性和可靠性(除斜齿轮蜗轮蜗杆减速机的蜗轮之外)。在一定条件下，QZ的使用系数不必和其它减速机制造商所给出的进行比较。如有疑问，请和

QZ联系索取针对特殊驱动设备详细资料。



QZ service factor: QZ f_B

The method for determining the maximum approved continuous torque M_{max} and then deriving the service factor $f_B = M_{max}/M_a$ is not defined in a standard and varies greatly from manufacturer to manufacturer. With their QZ service factor $f_B=1$, QZ drives afford an extremely high level of safety and reliability in the fatigue strength range (exception: wearing of the worm wheel in helical-worm gear units). Under a certain circumstances, the QZ service factor may not be comparable to the information given details for your specific drive. If there is any questions, please contact QZ to get the special drive equipments' document in detail.

举例

Example

惯性加速系数2.5(II类载荷), 运行时间14小时/天, (按16小时/天查图)和300次起停/小时, 使用系数在图中为 $f_B=1.51$, 根据选型表所选择的减速电机QZ f_B 值要 ≥ 1.51 。

Mass acceleration factor 2.5 (load classification II), 14 hours/day operating time (check the figure at 16h/d) and 300 cycles/hour produce a service factor $f_B=1.51$ as shown in Fig.2. According to the selection table, the selected geared motor must have an QZ f_B value of 1.51 or greater.

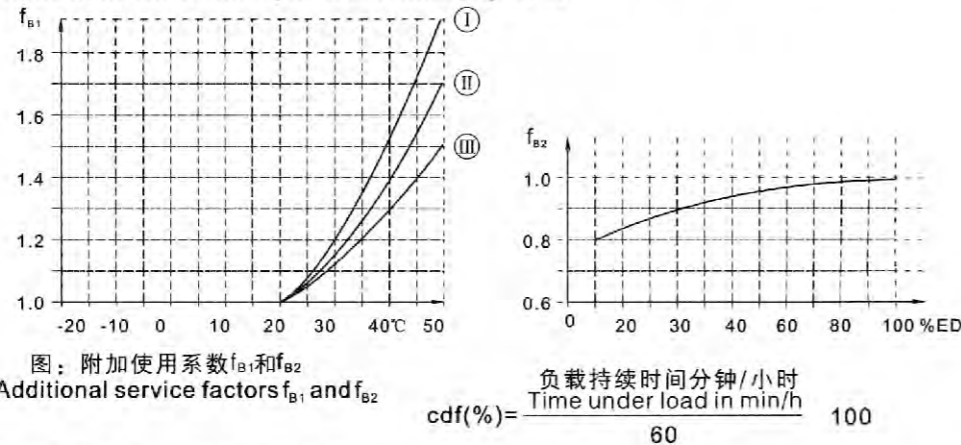
斜齿轮蜗杆减速机

Helical-worm gear units

在斜齿轮蜗杆减速机中, 除了已有图中的使用系数 f_B 外还有两个使用系数 f_{B1} 、 f_{B2} 要考虑。
Two further service factors have to be taken into account with helical-worm gear units in addition to the service factor f_B shown in Fig.2. These are:

- f_{B1} = 环境温度使用系数
Service factor from the ambient temperature
- f_{B2} = 负载持续系数
Service factor from the cyclic duration factor

附加的使用系数 f_{B1} 、 f_{B2} 可通过图4确定, 确定 f_{B1} 时用和确定 f_B 同样的方法考虑负载类型。
Additional service factors f_{B1} and f_{B2} can be determined by diagrams in Fig.4.
For the f_{B1} factor, we can define it just in the same way as f_B .



确定 f_{B1} 时, 环境温度低于 -20°C 请向 QZ 咨询。
Please contact QZ in case of temperatures below -20°C ($\rightarrow f_{B1}$).

斜齿轮蜗杆减速机总的的使用系数 f_{Btot} 按下式计算
The total service factor for helical-worm gear units is calculated as follows:

$$F_{Btot} = f_B \cdot f_{B1} \cdot f_{B2}$$

举例

Example

若前一个例子使用系统 $f_B=1.51$ 的减速机是斜齿轮蜗杆减速机,
If the geared motor with the service factor $f_B=1.51$ in the previous example is a helical-worm geared motor.
环境温度 $40^\circ\text{C} \rightarrow f_{B1}=1.38$ (负载类型 II)
Ambient temperature $t = 40^\circ\text{C} \rightarrow f_{B1}=1.38$ (read off at load classification II)
负载工作时间 40 分钟/小时 $cdf=66.7\%$ $f_{B2}=0.95$
Time under load $= 40\text{min/h} \rightarrow cdf=66.7\% \rightarrow f_{B2}=0.95$
The total service factor is
 $F_{Btot} = 1.51 \cdot 1.38 \cdot 0.95 = 1.98$
根据选型表, 所选的斜齿轮蜗杆减速机的 QZ f_B 则应 ≥ 1.98 。
According to the selection tables, the selected helical-worm geared motor must have a QZ f_B value of 1.98 or greater.

使用系数(二)

Service factor(Two)

减速机是按载荷平稳, 每天工作时间一定和少量起停次数的情况设计的, 而在实际使用中往往不是处于此种理想状况, 因此必须按照实际情况的载荷类型、运行时间、启动频率来确定工作机系数 f_{B1} 、原动机系数 f_{B2} 、启动系数 f_{B3} 。使用小于或等于选型表中的使用系数 f_B , 即 $f_{B1} \times f_{B2} \times f_{B3} \leq f_B$ 。或将工作机所需的转矩乘以使用系数 ($f_{B1} \times f_{B2} \times f_{B3}$) 应小于或等于减速机的许用转矩。

Gear units are designed under the circumstance of steady load, stated operating time per day and a few starting times. But the practical condition will be not as perfect as the designed circumstance. So we must confirm driven machine factor f_{B1} , prime mover factor f_{B2} , starting factor f_{B3} according to actual load type, operating time, starting frequency. Let it less than or equal to the service factor f_B of selection table, viz $f_{B1} \times f_{B2} \times f_{B3} \leq f_B$. The needed torque of service machine multiply the service factor ($f_{B1} \times f_{B2} \times f_{B3}$) should less than or equal to gear units' permissible torque.

$$M_a \geq M_d \times f_{B1} \times f_{B2} \times f_{B3}$$

- f_{B1} - 工作机系数 (见表1) f_{B1} -driven machine factor (see table 1)
- f_{B2} - 原动机系数 (见表2) f_{B2} -prime mover factor (see table 2)
- f_{B3} - 启动系数 (见表3) f_{B3} -starting factor (see table 3)
- M_d - 工作机所需转矩 M_d -the needed torque of driven machine
- M_a - 减速机许用转矩 M_a -gear units' permissible torque

表1 Table 1 工作机系数 Factor for driven machine f_{B1}		日工作小时数 The day work hours		
工作机 Driven machines		$\leq 0.5\text{h}$	0.5-10h	$> 10\text{h}$
污水处理 Waste water treatment	浓缩器 (中心传动) Thickeners (central drive)	-	-	1.2
	压滤器 Fitter presses	1.0	1.3	1.5
	絮凝器 Flocculation apparatus	0.8	1.0	1.3
	曝气机 Aerators	-	1.8	2.0
	接集设备 Raking equipment	1.0	1.2	1.3
	纵向、回转组合接集装置 Combined longitudinal and rotary rakes	1.0	1.3	1.5
	预浓缩器 Pre-thickeners	-	1.1	1.3
	螺杆泵 Screw pumps	-	1.3	1.5
	水轮机 Water turbines	-	-	2.0
	离心泵 Centrifugal pumps	1.0	1.2	1.3
	1个活塞容积式泵 1 piston positive-displacement pumps	1.3	1.4	1.8
	>1个活塞容积式泵 > 1 piston positive displacement pumps	1.2	1.4	1.5
挖泥机 Dredgers	斗式输送机 Bucker conveyors	-	1.6	1.6
	倾卸装置 Dumping devices	-	1.3	1.5
	Cartepillar行走机构 Carterpillar travelling gears	1.2	1.6	1.8
	斗轮式挖掘机 (用于捡拾) Bucket wheel excavators as pick-up	-	1.7	1.7
	斗轮式挖掘机 (用于粗料) Bucket wheel excavators for primitive material	-	2.2	2.2
	切碎机 Cutter heads	-	2.2	2.2
	行走机构* Traversing gears*	-	1.4	1.8
化学工业 Chemical industry	弯板机* Plate bending machines	-	1.0	1.0
	挤压机 Extnuders	-	-	1.6
	调浆机 Dough mills	-	1.8	1.8
	橡胶磨光机 Rubber calenders	-	1.5	1.5
	冷却圆筒 Cooling drums	-	1.3	1.4
	混料机, 用于均匀介 Mixers for uniform media	1.0	1.3	1.4
	混料机, 用于非均匀介 Mixers for non-uniform media	1.4	1.6	1.7
	搅拌机, 用于密度均匀介质 Agitators for media with uniform density	1.0	1.3	1.5
	搅拌机, 用于非均匀介质 Agitators for media with non uniform density	1.2	1.4	1.6
	搅拌机, 用于不均匀气体吸收 Agitators for media with non uniform gas absorption	1.4	1.6	1.8
起重机械 Cranes	烘炉 Toasters	1.0	1.3	1.5
	离心机 Centrifuges	1.0	1.2	1.3
	回转机构 Slewing gears	2.5	2.5	3.0
	俯仰机构 Luffing gears	2.5	2.5	3.0
	行走机构 Travelling gears	2.5	3.0	3.0
提升机构 Hoisting gears	2.5	2.5	3.0	
转臂式起重机 Derricking jib cranes	2.5	2.5	3.0	



工作机 Driven machines		日工作小时数 The day work hours		
		≤0.5h	0.5-10h	>10h
金属加工设备 Metal working mills	翻板机 Plate titers	1.0	1.0	1.2
	推钢机 Ingot pushers	1.0	1.2	1.2
	绕线机 Winding machines	-	1.6	1.6
	冷床横移架 Cooling bed transfer frames	-	1.5	1.5
	辊式矫直机 Roller straighteners	-	1.6	1.6
	辊道(连续式) Roller tables continuous	-	1.5	1.5
	辊道(间歇式) Roller tables intermittent	-	2.0	2.0
	可逆式轧管机 Roller tables Reversing tube mills	-	1.8	1.8
	剪切机(连续机)* Shears continuous*	-	1.5	1.5
	剪切机(曲柄式)* Shears crank type*	1.0	1.0	1.0
	连铸机驱动装置 Continuous casting drivers	-	1.4	1.4
	可逆式开坯机 Reversing blooming mills	-	2.5	2.5
	可逆式板坯轧机 Reversing slabbing mills	-	2.5	2.5
	可逆式线材轧机 Reversing wire mills	-	1.8	1.8
	可逆式薄板轧机 Reversing sheet mills	-	2.0	2.0
	可逆式中厚板轧机 Reversing plate mills	-	1.8	1.8
辊缝调节驱动装置 Roll adjustment drives	0.9	1.0	-	
输送机 Conveyors	斗式输送机 Bucket conveyors	-	1.2	1.5
	绞车 Hauling winches	1.4	1.6	1.6
	卷扬机 Hoists	-	1.5	1.8
	皮带输送机<150kw Belt conveyors<150kw	1.0	1.2	1.3
	皮带输送机≥150kw Belt conveyors≥150kw	1.1	1.3	1.5
	货用电梯* Goods lifts*	-	1.2	1.5
	客用电梯* Passenger lifts*	-	1.5	1.8
	刮板式输送机 Apron conveyors	-	1.2	1.5
	自动扶梯 Escalators	-	1.2	1.4
	轨道行走机构 Rail travelling gears	-	1.5	-
冷却塔 Cooling towers	变频装置 Frequency converters	-	1.8	2.0
	往复压缩机 Reciprocating compressors	-	1.8	1.9
蔗糖生产 Cane sugar production	甘蔗切片机* Cane knives*	-	-	1.7
	甘蔗碾磨机 Cane mills	-	-	1.7
甜菜糖生产 Beet sugar production	甜菜绞碎机 Beet cossettes macerators	-	-	1.2
	榨取机, 机械致冷机, 蒸发器, 机械榨汁机, 果汁蒸发器 Extraction plants, Mechanical refrigerators, Juice boilers	-	-	1.4
	甜菜清洗机 Sugar beet washing machines	-	-	1.5
造纸机械 Paper machines	甜菜切碎机 Sugar beet cutters	-	-	1.5
	各种类型** Of all-kind**	-	1.8	2.0
	碎浆机驱动装置 Pulper drives	2.0	2.0	2.0
索道缆车 Cableways	离心式压缩机 Centrifugal compressors	-	1.4	1.5
	运货索道 Material ropeways	-	1.3	1.4
	往返系统空中索道 To-and fro system aerial ropeways	-	1.6	1.8
	T型杆升降机 T-barlifts	-	1.3	1.4
水泥工业 Cement industry	连续索道 Continuous ropeways	-	1.4	1.6
	混凝土搅拌机 Concrete mixers	-	1.5	1.5
	破碎机* Breakers*	-	1.2	1.4
	回转窑 Rotary kilns	-	-	2.0
	管式磨机 Tube mills	-	-	2.0
	选粉机 Separators	-	1.6	1.6
	辊压机 Roll crushers	-	-	2.0

表2 Table 2 原动机系数 Factor for prime mover f_{B2}

电机, 液压马达, 汽轮机 Electric motos, hydraulic motors, turbines	1.0
4-6缸活塞发动机 Piston engines 4-6 cylinders	1.25
1-3缸活塞发动机 Piston engines 1-3 cylinders	1.5

表3 Table 3 起动系数 Start factor f_{B3}

启停次数/小时 Number of starts and stop/hour	
<10	1
10< f_{B3} <100	1.15
100< f_{B3} <500	1.25

径向和轴向负载 Overhung and axial loads

径向负载 Determining overhung load

确定径向负载时,要考虑安装在轴端传动部件的影响, 传动部件系数 f_z 列于下表:
When determining the overhung load, the type of transmission element mounted on the shaft end must be considered. The transmission element factors f_z are listed as follows.

传动部件 Transmission element	传动部件系数 f_z Transmission element factor f_z	备注 Comments
齿轮 Gears	1.15	>17齿 >17teeth
链轮 Chain sprockets	1.40	>13齿 >13teeth
链轮 Chain sprockets	1.25	>20齿 >20teeth
窄V型带 Narrow V-belt pulleys	1.75	预应力影响 Pre-tensioning influence
宽平皮带 Flat belt pulleys	2.50	预应力影响 Pre-tensioning influence
齿型皮带 Toothed belt pulleys	2.5	预应力影响 Pre-tensioning influence

作用在电机或减速机轴上的径向力按下式计算:
The overhung load exerted on the motor or gear shaft is then calculated as follows:

$$F_R = \frac{M_d \cdot 2000}{d_o} \cdot f_z$$

F_R 径向载荷(N)
Overhung load in N
 M_d 力矩(N.M)
Torque in Nm
 d_o 节圆直径(MM)
Mean diameter of the mounted transmission element in mm
 f_z 传动部件系数
Transmission element factor

作用的径向载荷 Permitted overhung load

根据耐磨轴承额定寿命 L_{H10} 来确定许用径向载荷。

对于特殊的运行条件, 许用径向载荷根据所要求的修正寿命 L_{na} 来确定。

对于地脚安装实心轴输出的减速机许用径向载荷列于减速电机的选型表中。对于其它安装形式可与QZ联系。

According the rate service life L_{H10} of the anti-friction bearings to define the permitted overhung loads.

For the special operating conditions, the permitted overhung loads can be determined by the modified service life L_{na} .

The permitted overhung loads F_{Ra} for the output shafts of foot-mounted gear units with a sold shaft are listed in the selection tables for geared motors. Please contact QZ in case of other types.

选型表中的径向力数值按照力作用于轴伸的中点(斜齿轮-伞齿轮减速机按照A端输出轴考虑)。径向力作用角度 α 和旋转方向已经按最不利的条件给予考虑。

The data refer to the radial force acting midway on the shaft end (with right-angle gear units on the A-side output). Worst case conditions have been assumed for the force application angle α and the direction of rotation.

· 对于K和S系列减速机, M1安装位置前面与安装固定面连接时, 许用径向载荷只是选型表中F_{Ra}数值的50%。

Only 50% of the F_{Ra} value specified in the selection tables is permitted in mounting position M1 with wall attachment on the front face for K and S gear units.

· 对于K167和K187减速机 在安装位置M1-M4时; 若安装与其安装位置示例有所区别情况下, 其许用径向载荷最大只为选型表中F_{ra}的50%。

Helical-bevel geared motors K167 and K187 in mounting positions M1 to M4: If the mounting position is different from the position we offered (M1-M4), the overhung load F_{Ra} lasted in the selection tables.

· 地脚/法兰安装斜齿轮减速机(R/F): 当通过法兰安装传递力矩时, 许用径向载荷最大为选型表中F_{Ra}的50%。

Foot and flange-mounted helical geared motors(R..F): A maximum of 50% of the overhung load F_{Ra} specified in the selection tables in the case of torque transmission via the flange mounting, when the torque transmission via the flange mounting the overhung load F_{Ra} will only be 50% compared with the F_{Ra} lasted the selection tables.

更高的许用径向载荷 Higher approved overhung loads

对于 R/F/K系列减速机, 安装重载轴承可提高许用径向载荷。另外, 精确考虑旋转方向和力作用角 α , 也可提高许用径向载荷, 在此情况下, 请与QZ联系。

It possible to achieve a higher overhung load by exactly considering the force application angle α and the direction of rotation. In addition, higher output shaft loads are permitted if heavy duty bearings are installed, especially with R, F and K gear units. Please contact QZ in this case.

所受力的定义 Definition of force application

所受力根据下图来定义
Force application is defined according to the following diagram:

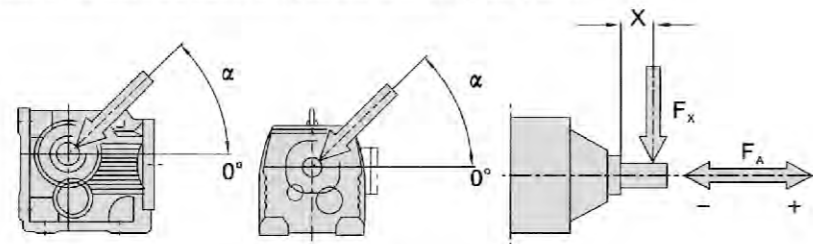


图: 受力定义
Fig: Definition of force application

F_x = 在X点的许用径向载荷(N)
Approved overhung load at point X [N]
F_A = 许用轴向载荷(N)
Approved axial load [N]

许用轴向载荷 Approved axial loads

如果没有径向载荷, 那么轴向载荷F_A(+表示拉力, -表示压紧力) 依据表中径向负荷的50%给定是允许的, 这适用于

If there is no overhung load, then an axial load F_A (tension or compression) amount to 50% of the overhung load given in the selection tables is approved. This applies to the following gear motors:

- 斜齿轮减速机 (R..137到167除外)
Helical geared motors except for R..137...to R..167...
- 平行轴斜齿轮减速机与斜齿轮-伞齿轮 (实心轴) 减速机 (F97...除外)
Parallel shaft and helical-bevel geared motors with solid shaft except for F97...
- 实心轴斜齿轮蜗轮蜗杆减速机
Helical-worm geared motors with solid shaft

对于其它类型的减速机请与QZ咨询, 以防过大的轴向载荷或轴向及径向的合成力。
Please contact QZ for all other types of gear units and in the event of significantly greater axial loads or combinations of overhung load and axial load.

偏离中心点的径向力 Overhung load conversion for off-center force application

对于受力点不在轴端中点的允许径向载荷要根据下面的公式计算。F_{xL}和F_{xw}中的较小值是在X点允许数值, 所计算的数值应用于M_{a max}

The approved overhung loads given in the selection tables must be calculated using the following formulae in the event of force application not in the center of the shaft end. The smaller of the two values F_{xL} (according to bearing service life) and F_{xw} (according to shaft strength) is the approved value for the overhung load at point x. Note that the calculations apply to M_{a max}.

根据轴承寿命F_{xL}
FXL acc. to bearing service life
$$F_{xL} = F_{Ra} \cdot \frac{a}{b+x} \text{ [N]}$$

根据输出轴强度F_{xw}
FXW from the shaft strength
$$F_{xw} = \frac{c}{f+x} \text{ [N]}$$

F_{Ra} = 对于底脚安装齿轮箱的允许径向载荷 (选型表中列值) 单位: N
Approved overhung load (x=1/2) for foot-mounted gear units according to the selection tables in [N]

X = 从轴肩到受力点的距离
Distance from the shaft shoulder to the force application point in [mm]

a, b, f = 对于径向负载转化的齿轮箱常量
Gear unit constants for overhung load conversion [mm]

c = 对于径向负载转化的齿轮箱常量
Gear unit constant for overhung load conversion [Nmm]

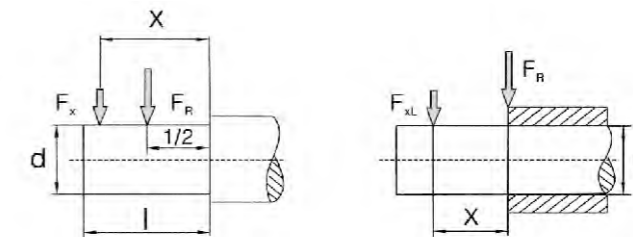
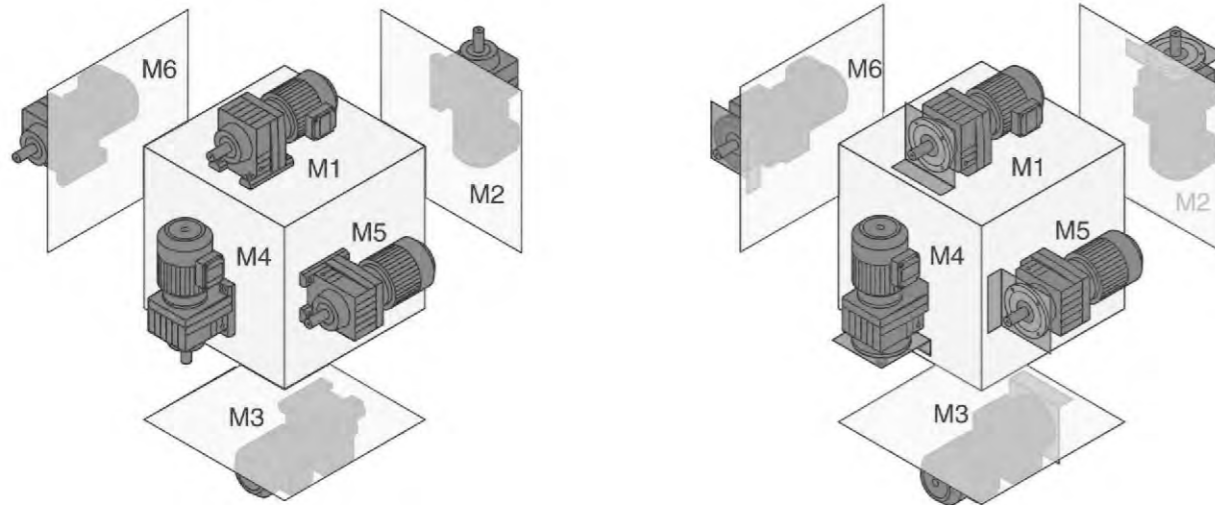


图: 偏离中心点的径向力F_x
Fig: Overhung load F_x for off-center force application

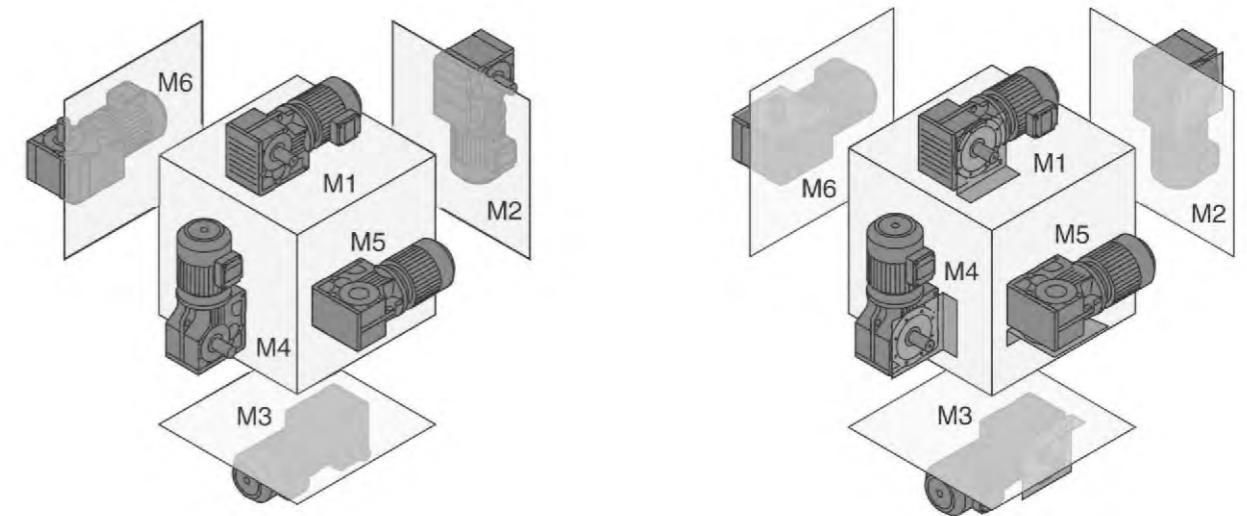
安装型式

Mounting positions

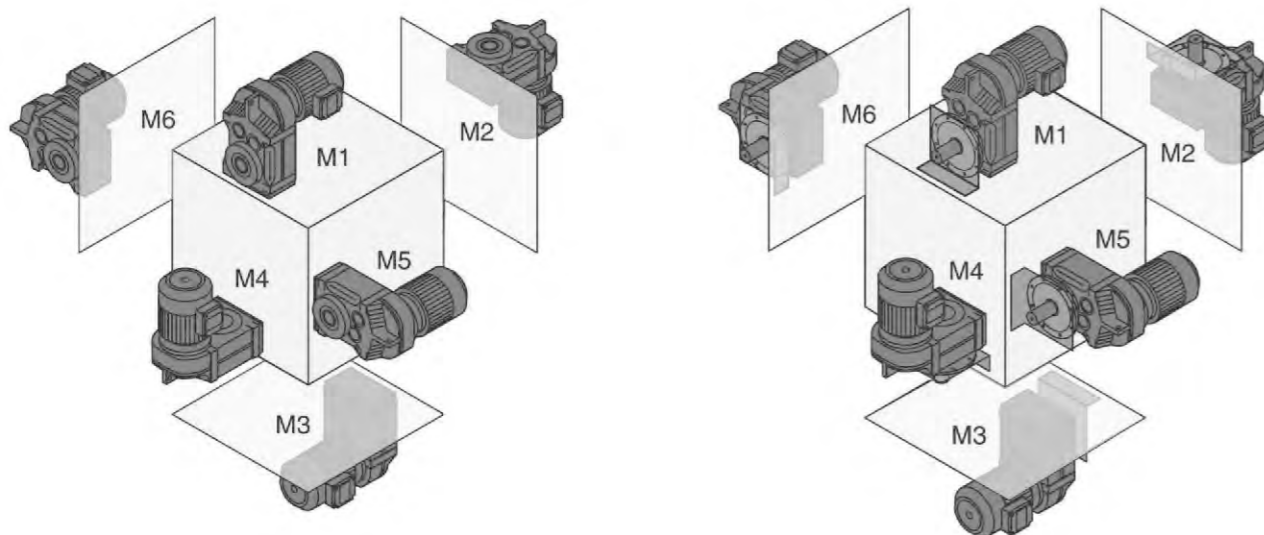
R系列安装型式 R series Mounting positions



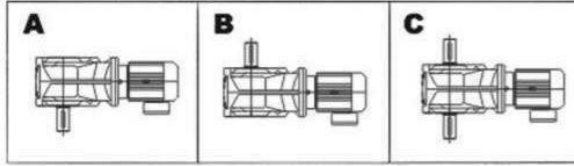
K.S系列安装型式 K.S Series Mounting Positions



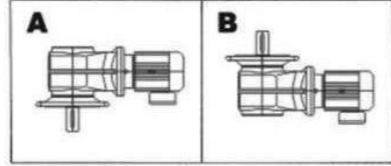
F系列安装型式 F series Mounting positions



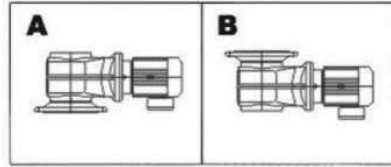
输出轴安装位置 (K.S Series)
Mounting Positions of Output Shaft (K.S Series)



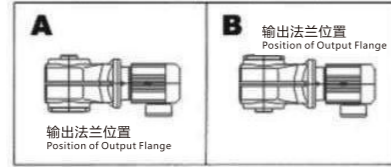
B5输出法兰延伸轴安装位置 (K.S系列)
Mounting Positions of B5 Output Flange & Shaft-extend (K.S Series)



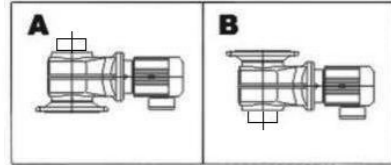
B5输出法兰安装位置 (K.S系列)
Mounting Positions of B5 Output Flange (K.S Series)



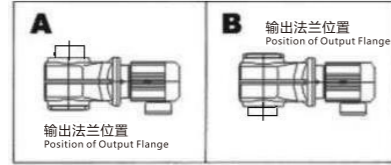
B14输出法兰安装位置 (K.S系列)
Mounting Positions of 14 Output Flange (K.S Series)



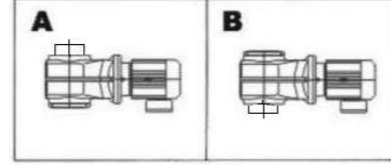
B5输出法兰锁紧盘安装位置 (K.S系列)
Mounting Positions of B5 Output Flange & Locked-dish (K.S Series)



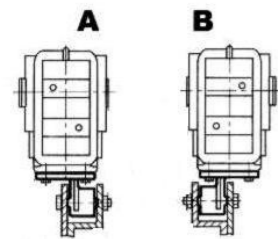
B14输出法兰锁紧盘安装位置 (K.S系列)
Mounting Positions of 14 Output Flange & Locked-dish (K.S Series)



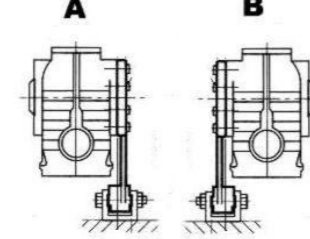
锁紧盘安装位置 (K.S系列)
Mounting Positions of Locked-dish (K.S Series)



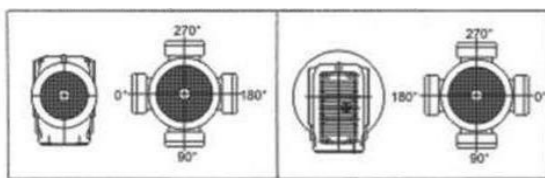
扭力臂安装位置 (K系列)
Mounting Positions of Torque Arm (K Series)



扭力臂安装位置 (S系列)
Mounting Positions of Torque Arm (S Series)

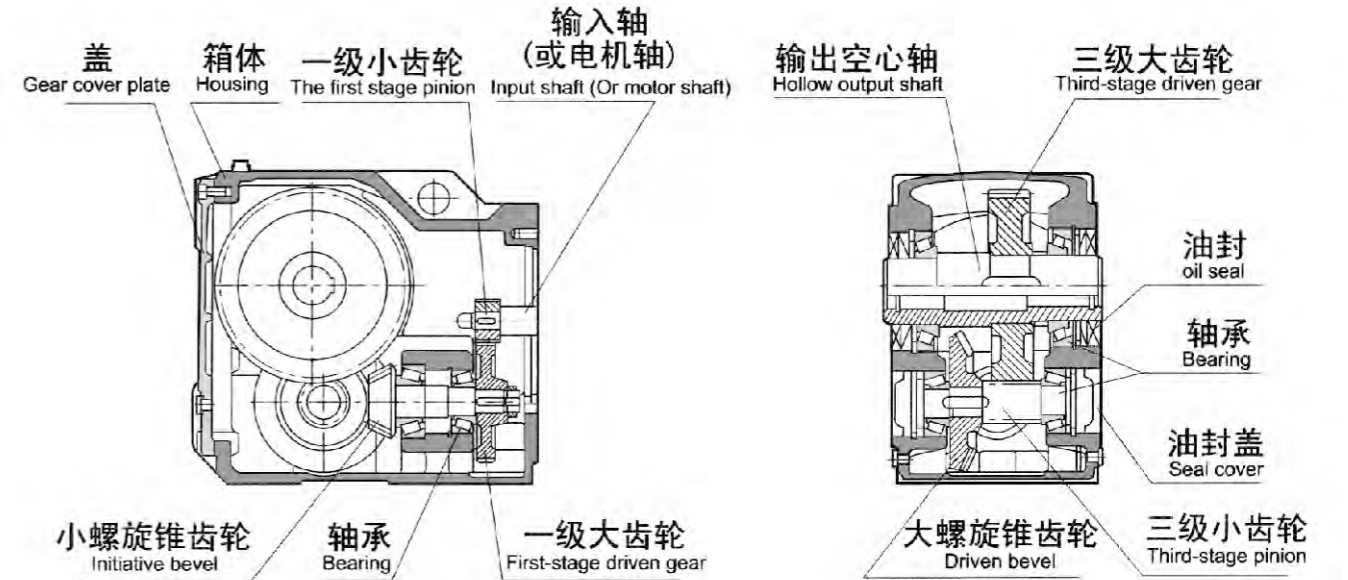


电机接线盒安装位置
Positions of Motor Junction Box (K.S.R.F Series)

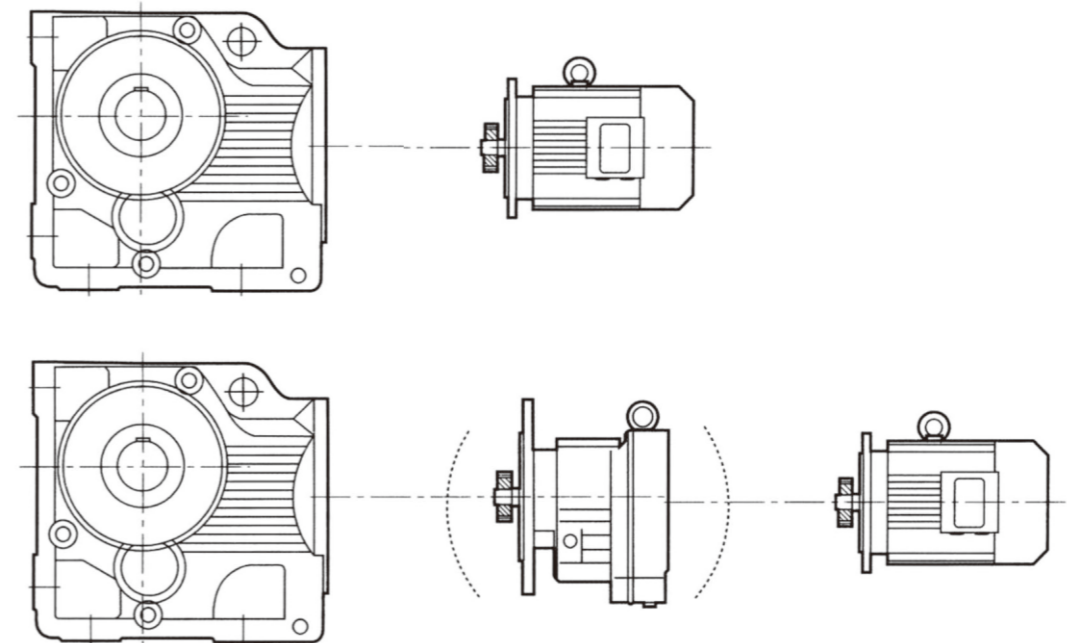


K系列安装型式
K Series Mounting Positions

示例一 K系列斜齿轮-螺旋伞齿轮减速机
Demonstration 2: K series helical gear spiral bevel gear speed reducer



K系列斜齿轮-螺旋伞齿轮减速机结构图
K series helical gear spiral bevel speed reducers structure drawing

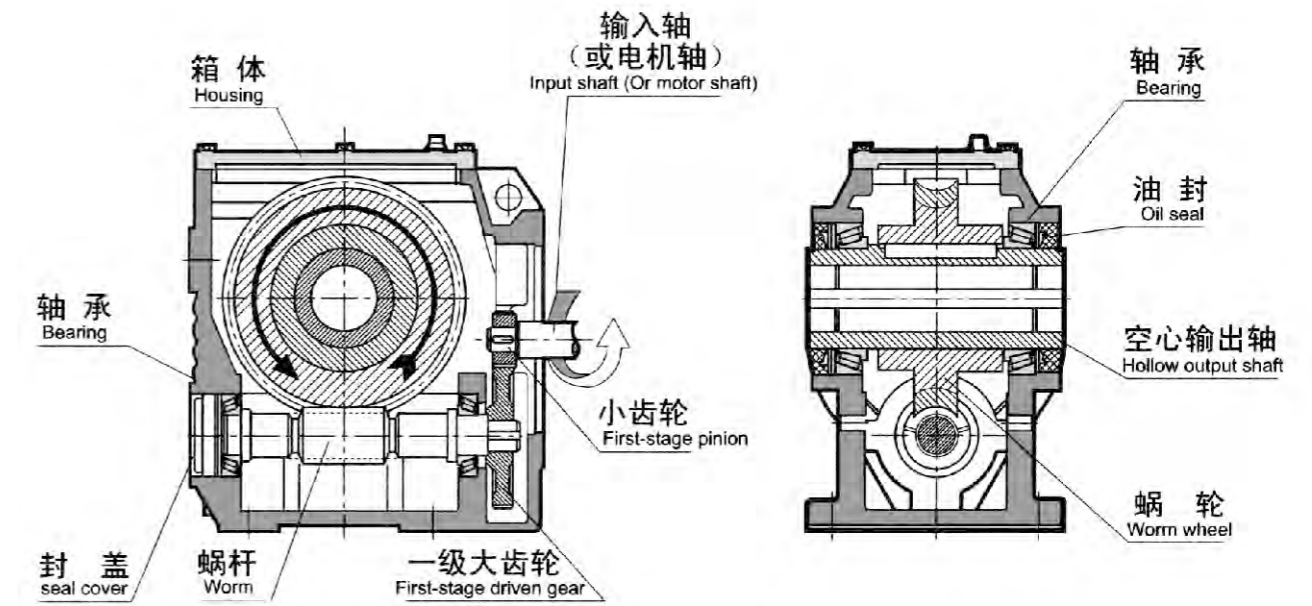


K A 67 F / T - 60.66 - Y 80 M 4 / HF / TF - M1 - A - 180°

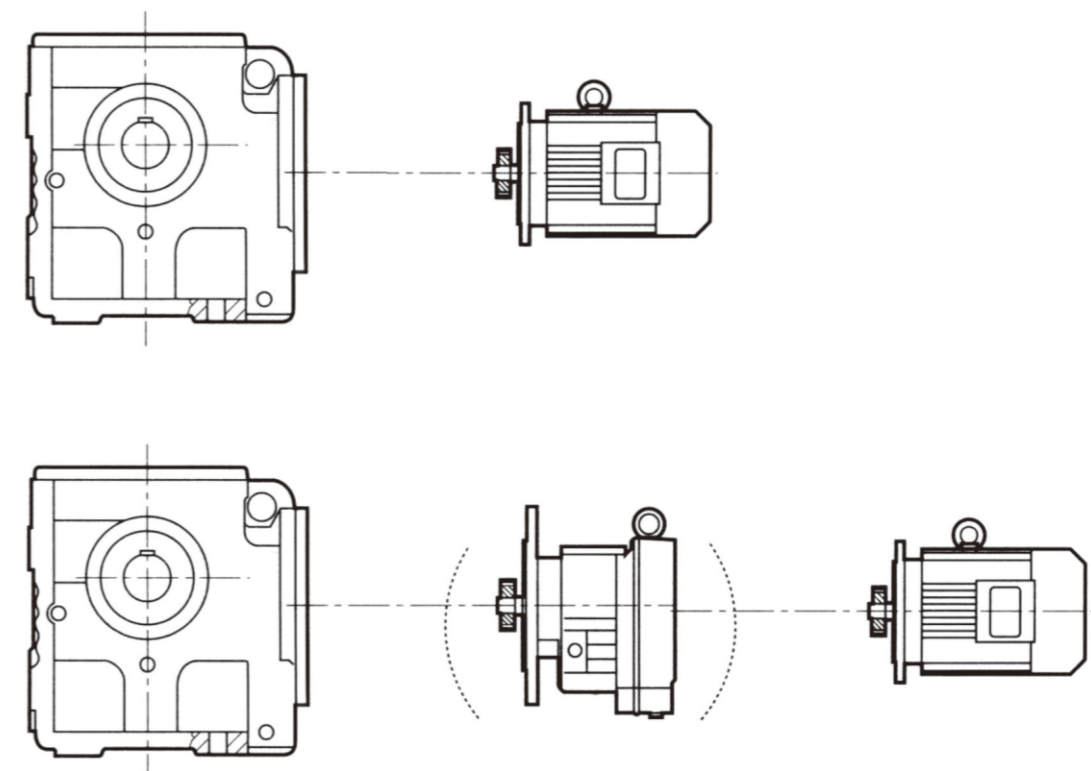
1	2	2	3	4
系列代码 Series Code K-斜齿轮+螺旋伞齿减速机 K-Helical+Bevel Gear Reducer	装配形式 Installation Type 无代码-底脚安装 No Code-Foot Mounted F-法兰安装 F-Flange Mounted A-空心轴安装 A-Hollow Shaft Mounted AF-B5法兰空心轴安装 AF-B5 Flange & Hollow Shaft Mounted AZ-B14法兰空心轴安装 AZ-B14 Flange Hollow Shaft Mounted AB-底脚空心轴安装 AB-Foot Hollow Shaft Mounted	H-空心轴锁紧盘安装 H-Hollow Shaft & Locked-dish Mounted HB-底脚空心轴锁紧盘安装 HB-Foot Hollow Shaft & Locked-dish Mounted HF-B5法兰空心轴锁紧盘安装 HF-B5 Flange Hollow Shaft & Locked-dish Mounted HZ-B14法兰空心轴锁紧盘安装 HZ-B14 Flange Hollow Shaft & Locked-dish Mounted	减速机型号大小 Model Size	输入端装配形式 Input Installation Type 无代码-电机直连安装 No Code-No Flange, Direct Link Motor F-输入法兰B5安装 F-B5 Flange Input AD1-输入轴安装 (数字为轴径大小代号) AD1-Shaft Input("1" for Shaft Diameter Code)
5 扭力臂 Torque Arm 无代码-无扭力臂 No Code-Non Torque Arm T-带扭力臂 T-With Torque Arm	6 减速机传动比 Transmission Ratio	7 电动机类型 Motor Type Y-三相异步电机 Y-Three Phase Asynchronous Motor YEJ-制动电机 YEJ-Brake Motor YVF-变频电机 YVF-Variable Frequency Motor YPEJ-变频制动电机 YPEJ-Variable Frequency Brake Motor YB-防爆电机 YB-Explosion Proof Three-phase Asynchronous Motor	8 电动机机座号 Frame Size	9 电动机定子铁芯长度代号 Stator Core Code
10 电动机极数 Pole Number	11 手动释放装置 Manual Tripping Device 无代码-无手动释放装置 No Code-Non Manual Tripping Device HF-手动释放, 锁在制动释放位置 HF-Manual Tripping, Locked on Brake Tripping Position HR-手动释放, 自动返回制动位置 HR-Manual Tripping, Automatic Return to Braking Position	12 电动机热保护 Motor Thermal Protection 无代码-无电动机热保护 No Code-Non Thermal Protection TF-热敏电阻保护装置, PTC热敏电阻 TF-Thermistor Protection Device, PTC Thermistor TH-恒温器保护装置, 双金属片开关 TH-Thermostat Protection Device, Bimetallic Strip Switch	13 减速机安装位置 Installation Position	14 输出轴指向 Output Shaft Orientation A-轴指向为A型 A-A Type Orientation B-轴指向为B型 B-B Type Orientation C-轴指向为C型 C-C Type Orientation
15 电机接线盒位置 Terminal Box Position 无代码-0°位置 No Code-0°Position 180°-180°位置 180°-180°Position				

S系列安装型式 S Series Mounting Positions

示例二 S系列斜齿轮-蜗轮蜗杆减速机 Demonstration 4: S series helical gear * worm gear speed reducers



S系列斜齿轮-蜗轮蜗杆减速机结构图
S series helical gear * worm gear speed reducers structure drawing

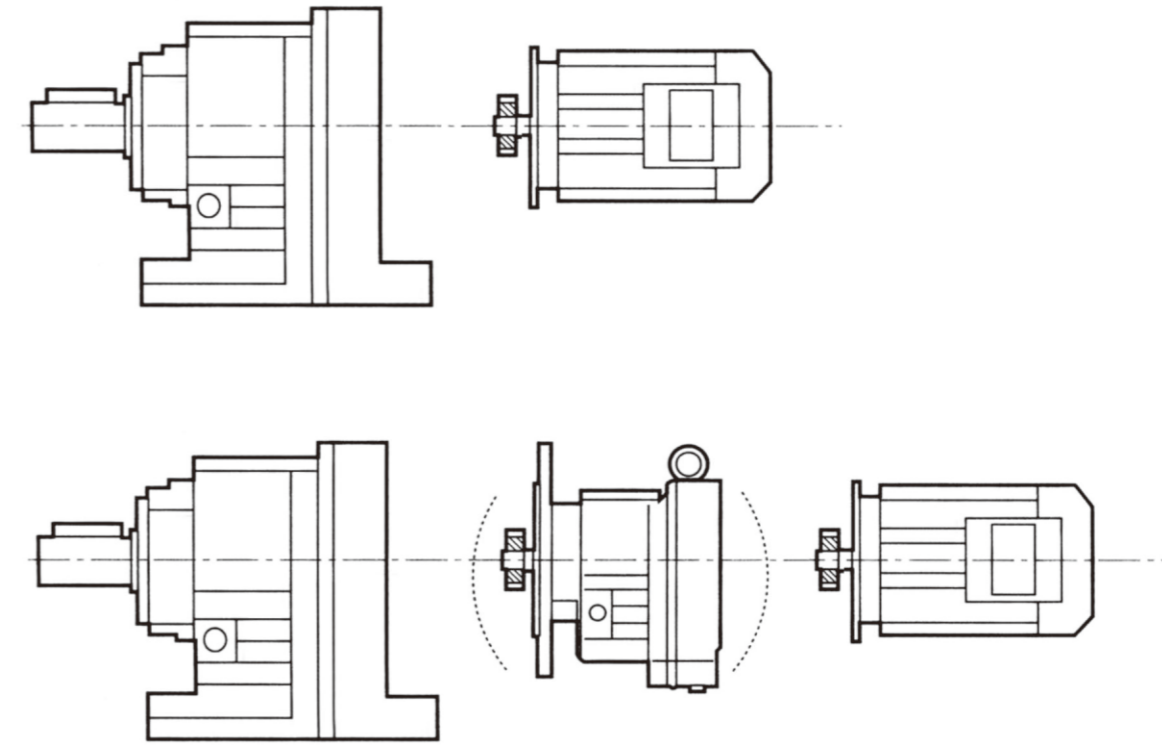
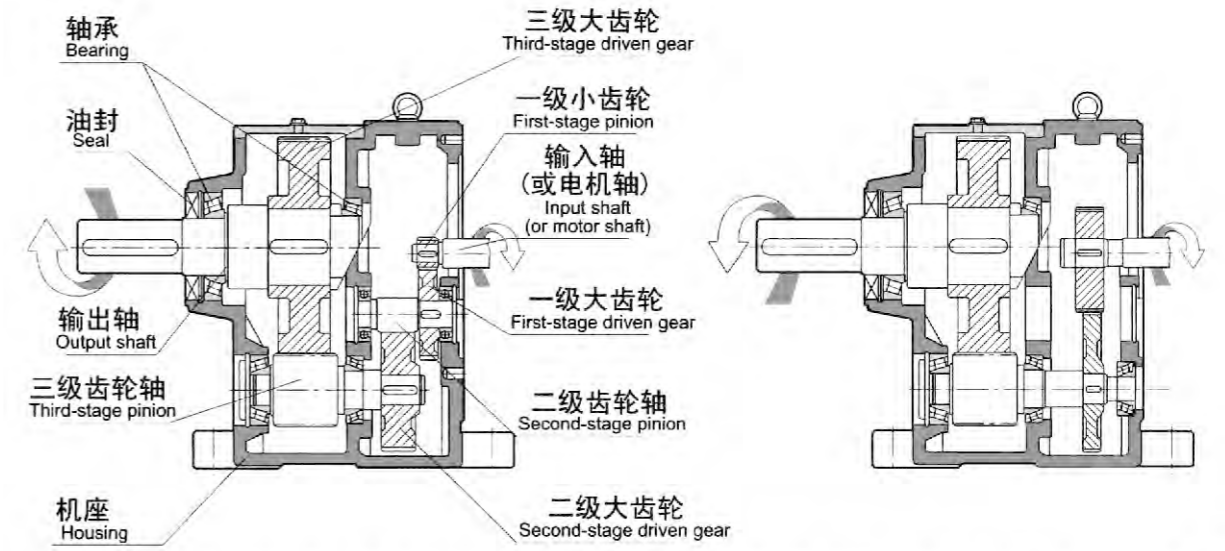


S A 67 F / T - 65.63 - Y 80 M 4 / HF / TF - M1 - A - 180° - Φ45

<p>1 系列代码 Series Code</p> <p>S-斜齿轮+蜗轮蜗杆减速机 S-Helical+Worm Gear Reducer</p>	<p>2 装配形式 Installation Type</p> <p>无代码-脚安装 No Code-Foot Mounted F-法兰安装 F-Flange Mounted A-空心轴安装 A-Hollow Shaft Mounted AF-B5法兰空心轴安装 AF-B5 Flange & Hollow Shaft Mounted AZ-B14法兰空心轴安装 AZ-B14 Flange Hollow Shaft Mounted</p>	<p>2 输入端装配形式 Input Installation Type</p> <p>H-空心轴锁紧盘安装 H-Hollow Shaft & Locked-dish Mounted HF-B5法兰空心轴锁紧盘安装 HF-B5 Flange Hollow Shaft & Locked-dish Mounted HZ-B14法兰空心轴锁紧盘安装 HZ-B14 Flange Hollow Shaft & Locked-dish Mounted</p>	<p>3 减速机型号大小 Model Size</p>	<p>4 输入端装配形式 Input Installation Type</p> <p>无代码-电机直连安装 No Code-No Flange, Direct Link Motor F-输入法兰B5安装 F-B5 Flange Input AD1-输入轴安装 (下标数字为轴径大小代号) AD1-Shaft Input("1"for Shaft Diameter Code)</p>
<p>5 扭力臂 Torque Arm</p> <p>无代码-无扭力臂 No Code-Non Torque Arm T-带扭力臂 T-With Torque Arm</p>	<p>6 减速机传动比 Transmission Ratio</p>	<p>7 电动机类型 Motor Type</p> <p>Y-三相异步电机 Y-Three Phase Asynchronous Motor YEJ-制动电机 YEJ-Brake Motor YVF-变频电机 YVF-Variable Frequency Motor YPEJ-变频制动电机 YPEJ-Variable Frequency Brake Motor YB-防爆电机 YB-Explosion Proof Three-phase Asynchronous Motor</p>	<p>8 电动机机座号 Frame Size</p>	<p>9 电动机定子铁芯长度代号 Stator Core Code</p>
<p>10 电动机极数 Pole Number</p>	<p>11 手动释放装置 Manual Tripping Device</p> <p>无代码-无手动释放装置 No Code-Non Manual Tripping Device HF-手动释放, 锁在制动释放位置 HF-Manual Tripping, Locked on Brake Tripping Position HR-手动释放, 自动返回制动位置 HR-Manual Tripping, Automatic Return to Braking Position</p>	<p>12 电动机热保护 Motor Thermal Protection</p> <p>无代码-无电动机热保护 No Code-Non Thermal Protection TF-热敏电阻保护装置, PTC热敏电阻 TF-Themistor Protection Device, PTC Themistor TH-恒温器保护装置, 双金属片开关 TH-Thermostat Protection Device, Bimetallic Strip Switch</p>	<p>13 减速机安装位置 Installation Position</p>	<p>14 输出轴指向 Output Shaft Orientation</p> <p>A-轴指向为A型 A-A Type Orientation B-轴指向为B型 B-B Type Orientation C-轴指向为C型 C-C Type Orientation</p>
<p>15 电机接线盒位置 Terminal Box Position</p> <p>无代码-0°位置 No Code-0°Position 180°-180°位置 180°-180°Position</p>	<p>16 空心轴轴径 Hollow Shaft Diameter</p> <p>Φ45-空心轴轴径为45H7 (安装尺寸表中的两种孔径, 选择其中一种) Φ45-Hollow Shaft Diameter 45H7 (Two Kinds of Diameter for Your Option)</p>			

R系列安装型式
R Series Mounting Positions

示例三 R系列斜齿轮减速机
Demonstration 1: R series helical gear speed reducers

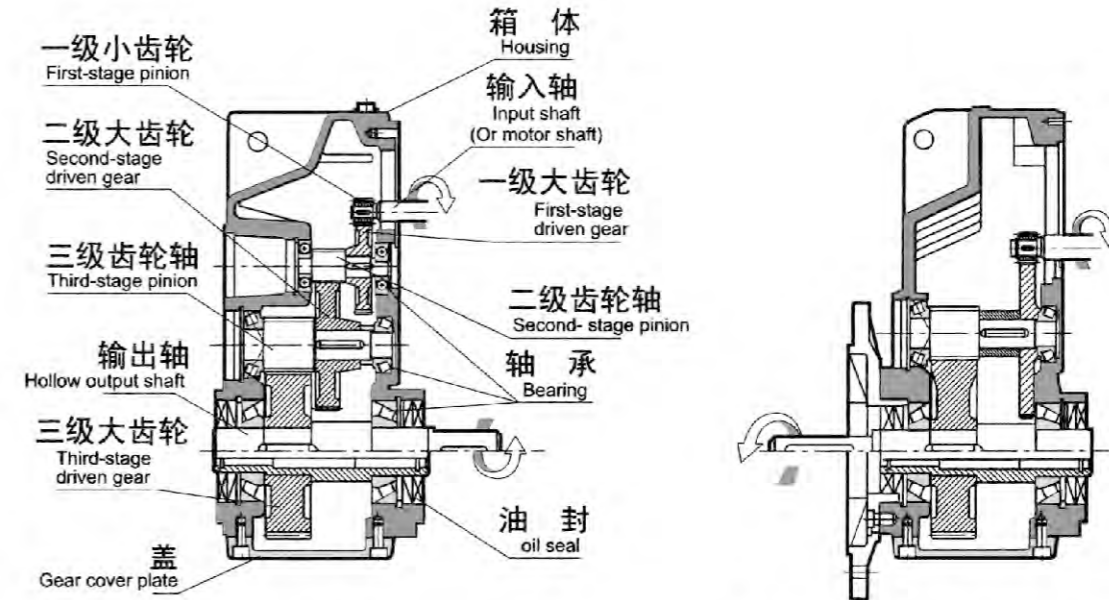


R F 67 F - 51.56 - Y 80 M 4 / HF / TF - M1 - 180° - Φ200

1	2	2	3	4
系列代码 Series Code	装配形式 Installation Type		减速机型号大小 Model Size	输入端装配形式 Input Installation Type
R-斜齿轮减速机 R-Helical Gear Reducer	无代码-底脚安装 No Code-Foot Mounted F-不带底脚输出法兰安装 F-Flange Mounted	X-底脚安装单级传动 X-Single Stage Drive & Foot Mounted XF-法兰安装单级传动 XF-Single Stage Drive & Flange Mounted		无代码-电机直连安装 No Code-No Flange, Direct Link Motor F-输入法兰B5安装 F-B5 Flange Input AD1-输入轴安装 (数字为轴径大小代号) AD1-Shaft Input (*1" for Shaft Diameter Code)
5	6	7	8	9
减速机传动比 Transmission Ratio	电动机类型 Motor Type	电动机机座号 Frame Size	电动机定子铁芯长度代号 Stator Core Code	电动机极数 Pole Number
	Y-三相异步电机 Y-Three Phase Asynchronous Motor YEJ-制动电机 YEJ-Brake Motor YVF-变频电机 YVF-Variable Frequency Motor YPEJ-变频制动电机 YPEJ-Variable Frequency Brake Motor YB-防爆电机 YB-Explosion Proof Three-phase Asynchronous Motor			
10	11	12	13	14
手动释放装置 Manual Tripping Device	电动机热保护 Motor Thermal Protection	减速机安装位置 Installation Position	电机接线盒位置 Terminal Box Position	输出法兰大小 Output Flange Size
无代码-无手动释放装置 No Code-Non Manual Tripping Device HF-手动释放, 锁在制动释放位置 HF-Manual Tripping, Locked on Brake Tripping Position HR-手动释放, 自动返回制动位置 HR-Manual Tripping, Automatic Return to Braking Position	无代码-无电动机热保护 No Code-Non Thermal Protection TF-热敏电阻保护装置, PTC热敏电阻 TF-Themistor Protection Device, PTC Themistor TH-恒温器保护装置, 双金属片开关 TH-Themostat Protection Device, Bimetallic Strip Switch		无代码-0°位置 No Code-0° Position 180°-180°位置 180°-180° Position	无代码-无输出法兰 No Code-Non Output Flange Φ200-输出法兰外径为200mm Φ200-Output Flange Diameter 200mm

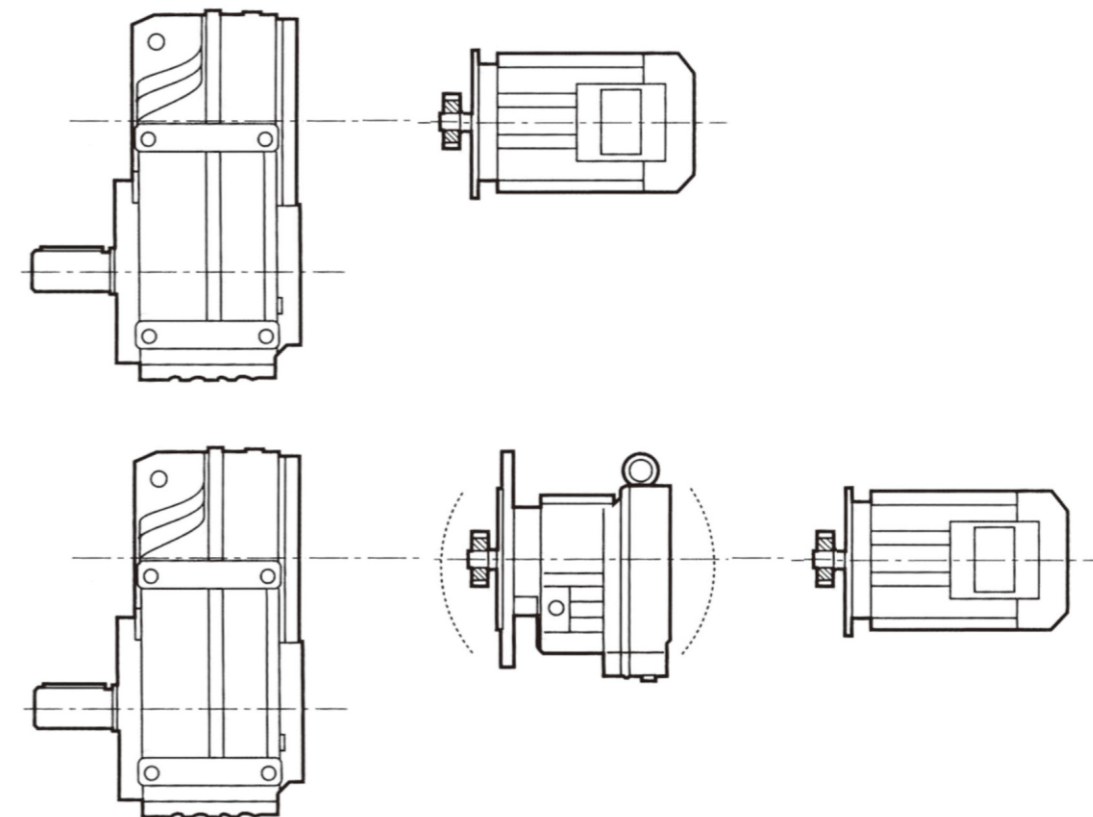
F系列安装型式
F Series Mounting Positions

示例四 F系列平行轴-斜齿轮减速机
Demonstration 3: F series parallel shaft helical gear speed reducers



F系列三级斜齿轮减速机结构图
F series 3-stage reducer structure drawing

F系列二级斜齿轮减速机结构图
F series 2-stage reducer structure drawing

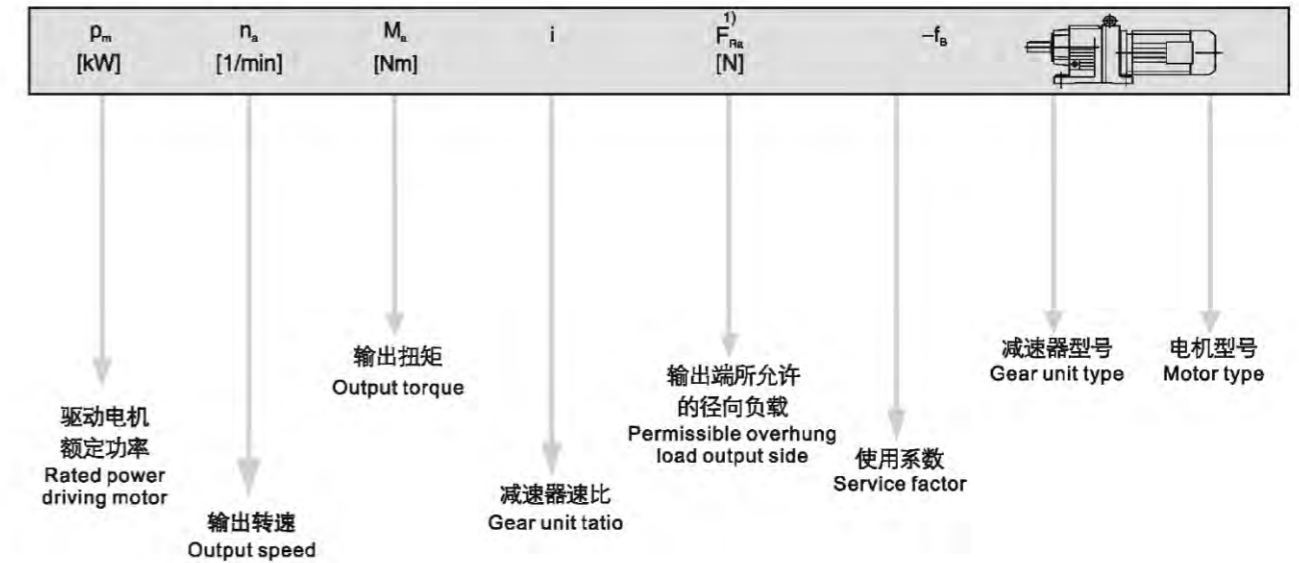


F A 67 F / G - 50.74 - Y 80 M 4 / HF / TF - M1 - 180°

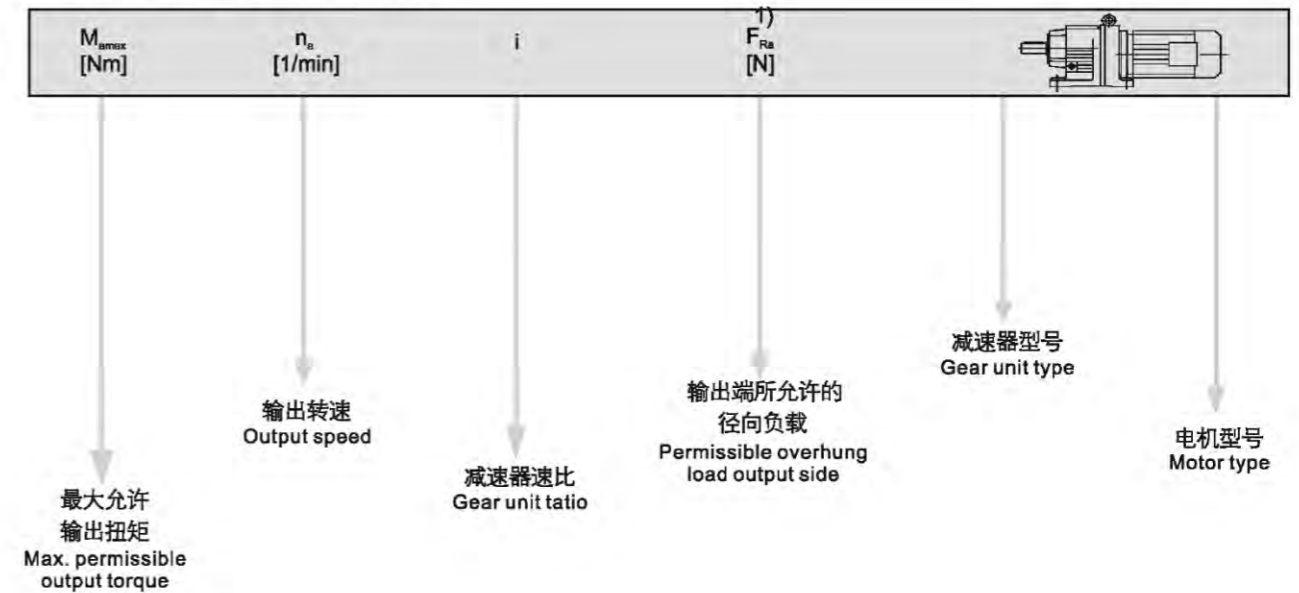
1	2	2	3	4
系列代码 Series Code	装配形式 Installation Type	2	减速机型号大小 Model Size	输入端装配形式 Input Installation Type
F-斜齿轮+平行轴减速机 F-Helical+Parallel Shaft Gear Reducer	无代码-底脚安装 No Code-Foot Mounted F-法兰安装 F-Flange Mounted A-空心轴安装 A-Hollow Shaft Mounted AF-B5法兰空心轴安装 AF-B5 Flange & Hollow Shaft Mounted AZ-B14法兰空心轴安装 AZ-B14 Flange Hollow Shaft Mounted AB-底脚空心轴安装 AB-Foot Hollow Shaft Mounted	H-空心轴锁紧盘安装 H-Hollow Shaft & Locked-dish Mounted HB-底脚空心轴锁紧盘安装 HB-Foot Hollow Shaft & Locked-dish Mounted HF-B5法兰空心轴锁紧盘安装 HF-B5 Flange Hollow Shaft & Locked-dish Mounted HZ-B14法兰空心轴锁紧盘安装 HZ-B14 Flange Hollow Shaft & Locked-dish Mounted		无代码-电机直连安装 No Code-No Flange, Direct Link Motor F-输入法兰B5安装 F-B5 Flange Input AD1-输入轴安装 (数字为轴径大小代号) AD1-Shaft Input (*1 for Shaft Diameter Code)
5	6	7	8	9
扭力臂 Torque Arm	减速机传动比 Transmission Ratio	电动机类型 Motor Type	电动机机座号 Frame Size	电动机定子铁芯长度代号 Stator Core Code
无代码-无扭力臂 No Code-Non Torque Arm G-带扭力臂 G-With Torque Arm		Y-三相异步电机 Y-Three Phase Asynchronous Motor YEJ-制动电机 YEJ-Brake Motor YVF-变频电机 YVF-Variable Frequency Motor YPEJ-变频制动电机 YPEJ-Variable Frequency Brake Motor YB-防爆电机 YB-Explosion Proof Three-phase Asynchronous Motor		
10	11	12	13	14
电动机极数 Pole Number	手动释放装置 Manual Tripping Device	电动机热保护 Motor Thermal Protection	减速机安装位置 Installation Position	电机接线盒位置 Terminal Box Position
	无代码-无手动释放装置 No Code-Non Manual Tripping Device HF-手动释放, 锁在制动释放位置 HF-Manual Tripping, Locked on Brake Tripping Position HR-手动释放, 自动返回制动位置 HR-Manual Tripping, Automatic Return to Braking Position	无代码-无电动机热保护 No Code-Non Thermal Protection TF-热敏电阻保护装置, PTC热敏电阻 TF-Themistor Protection Device, PTC Themistor TH-恒温器保护装置, 双金属片开关 TH-Thermostat Protection Device, Bimetallic Strip Switch		无代码-0°位置 No Code-0° Position 180°-180°位置 180°-180° Position

选型表注释
Selection table

选型表的结构
Selection table for geared motors



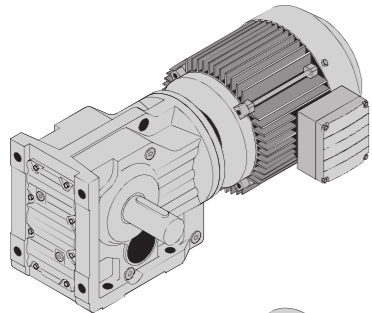
对于特殊低输出转速
For particularly low output speeds



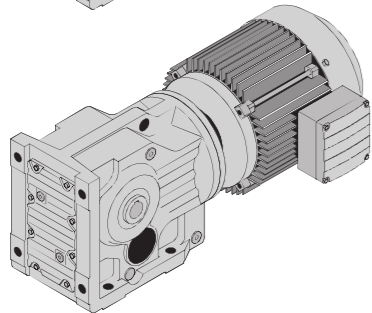
图例 Cuttine
※ 也可用于 EExe 电机。 ※ EEXE motor is optional.
1) 实心轴底脚安装减速机的径向负荷
1) Overhung load specified for foot-mounted gear unit with solid shaft

注意: Notice:
对于特殊低输出转速驱动(多级减速机), 电机功率必须与减速机的最大允许输出扭矩相对应。
In drives for particularly low output speeds (multi-stage geared motors), the motor power must be limited according to maximum permitted output torque of the gear unit.

K系列产品设计方案 K series Products design

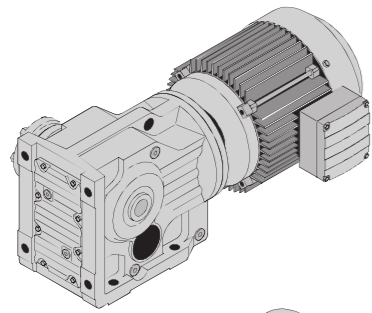


K.Y..
底脚轴伸式安装斜齿轮-螺旋锥齿轮减速机
Foot shaft-extend mounting helical gear spiral bevel gear speed reducer

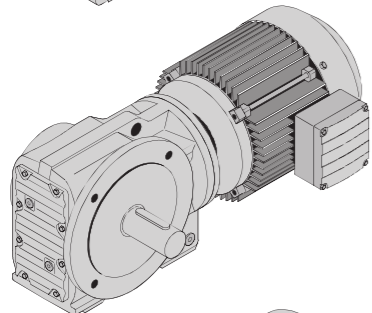


KAB..Y..
底脚空心轴安装斜齿轮-螺旋锥齿轮减速机
Foot hollow shaft mounting helical gear spiral bevel gear speed reducer

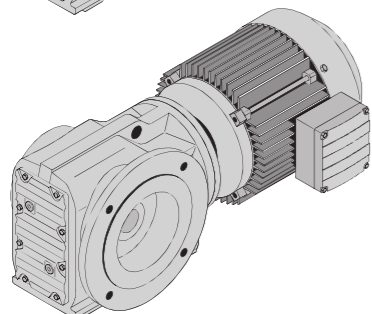
KVB..Y..
底脚花键空心轴安装斜齿轮-螺旋锥齿轮减速机
Foot and spline hollow shaft mounting helical gear spiral bevel gear speed reducer



KHB..Y..
底脚空心轴锁紧盘安装斜齿轮-螺旋锥齿轮减速机
Foot hollow shaft and locked-dish mounting helical gear spiral bevel gear speed reducer



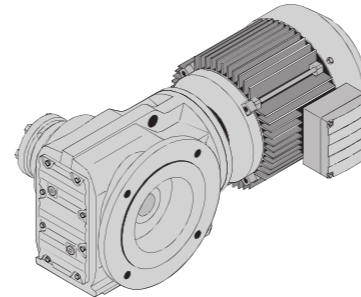
KF..Y..
B5法兰和轴伸式安装斜齿轮-螺旋锥齿轮减速机
B5 flange and shaft-extend mounting helical gear spiral bevel gear speed reducer



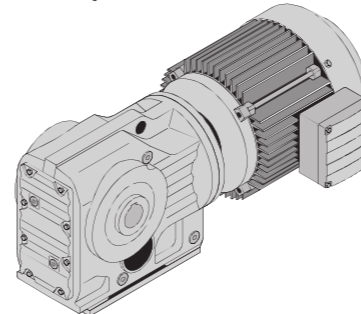
KAF..Y..
B5法兰空心轴安装斜齿轮-螺旋锥齿轮减速机
B5 flange hollow shaft mounting helical gear spiral bevel gear speed reducer

KVF..Y..
B5法兰花键空心轴安装斜齿轮-螺旋锥齿轮减速机
B5 flange spline mounting helical gear spiral bevel gear speed reducer

K系列产品设计方案 K series Products design

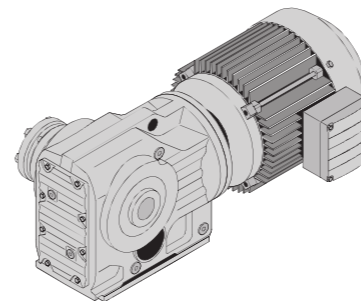


KHF..Y..
B5法兰空心轴锁紧盘安装斜齿轮-螺旋锥齿轮减速机
B5 flange hollow shaft and locked-dish mounting helical gear spiral bevel gear speed reducer

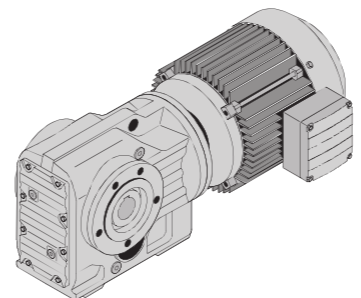


KA..Y..
空心轴安装斜齿轮-螺旋锥齿轮减速机
Hollow shaft mounting helical gear spiral bevel gear speed reducer

KV..Y..
花键空心轴安装斜齿轮-螺旋锥齿轮减速机
spline hollow shaft mounting helical gear spiral bevel gear speed reducer

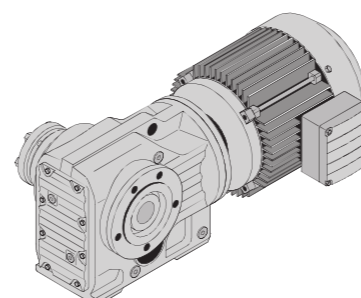


KH..Y..
空心轴锁紧盘安装斜齿轮-螺旋锥齿轮减速机
Hollow shaft and locked-dish mounting helical gear spiral bevel gear speed reducer



KAZ..Y..
B14法兰空心轴安装斜齿轮-螺旋锥齿轮减速机
B14 flange hollow shaft mounting helical gear spiral bevel gear speed reducer

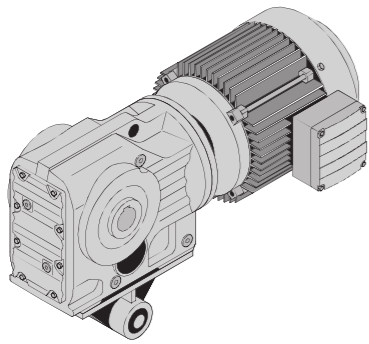
KVZ..Y..
B14法兰花键空心轴安装斜齿轮-螺旋锥齿轮减速机
B14 flange spline and hollow shaft mounting helical gear spiral bevel gear speed reducer



KHZ..Y..
B14法兰空心轴锁紧盘安装斜齿轮-螺旋锥齿轮减速机
B14 flange hollow shaft and locked-dish mounting helical gear spiral bevel gear speed reducer

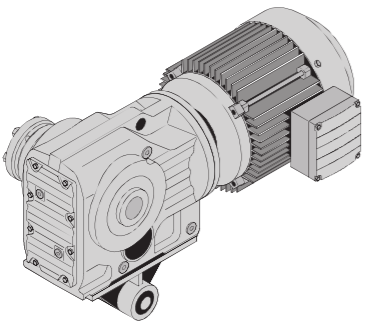


K系列产品设计方案 K series Products design



KA..T..Y..
空心轴安装(带扭力臂)斜齿轮-螺旋锥齿轮减速机
Hollow shaft mounting(with torque arm)helical gear spiral bevel gear speed reducer

KV..T..Y..
花键空心轴安装(带扭力臂)斜齿轮-螺旋锥齿轮减速机
Spline hollow shaft mounting(with torque arm)helical gear spiral bevel gear speed reducer



KH..T..Y..
空心轴锁紧盘安装(带扭力臂)斜齿轮-螺旋锥齿轮减速机
Hollow shaft and locked-dish mounting(with torque arm)helical gear spiral bevel gear speed reducer

输出转速 Output speed n_2 [r/min]	输出转矩 Output torque T_a [N·m]	传动比 Ratio i	径向负荷 Permitted load FR2 [N]	使用系数 Service factor f_B	机型号 Model
0.12kW					
0.08	11800	17550	79800	1.10	
0.09	10700	16006	80400	1.20	
0.09	9880	14975	80700	1.30	K 127 R77 Y63S4
0.11	8010	12440	81500	1.60	KF 127 R77 Y63S4
0.13	6920	10915	81800	1.90	KA 127 R77 Y63S4
0.14	6320	9819	82000	2.1	KAF 127 R77 Y63S4
0.16	5220	8443	82300	2.5	
0.18	4820	7482	82300	2.7	
0.10	9590	14311	65000	0.85	
0.11	8060	12211	65000	1.00	
0.13	6930	10677	65000	1.15	
0.14	6280	9524	65000	1.25	K 107 R77 Y63S4
0.17	5410	8328	65000	1.50	KF 107 R77 Y63S4
0.19	4720	7270	65000	1.70	KA 107 R77 Y63S4
0.22	3760	6184	65000	2.1	KAF 107 R77 Y63S4
0.24	3320	5662	65000	2.4	
0.27	3020	5138	65000	2.7	
0.32	2700	4359	65000	3.0	
0.17	5310	8054	39500	0.80	
0.20	4350	6970	40000	1.00	
0.23	3890	6027	40000	1.10	
0.26	3560	5391	40000	1.20	K 97 R57 Y63S4
0.30	2950	4669	40000	1.45	KF 97 R57 Y63S4
0.34	2640	4082	40000	1.65	KA 97 R57 Y63S4
0.39	2320	3583	40000	1.85	KAF 97 R57 Y63S4
0.44	2040	3108	40000	2.1	
0.50	1720	2757	40000	2.5	
0.57	1580	2419	40000	2.7	
0.65	1370	2123	40000	3.2	K 97 R57 Y63S4
0.74	1220	1856	40000	3.5	KF 97 R57 Y63S4
0.85	1000	1625	40000	4.3	KA 97 R57 Y63S4
0.96	860	1430	40000	5.0	KAF 97 R57 Y63S4
1.1	830	1281	40000	5.2	
1.2	725	1102	40000	5.9	
0.26	3380	5240	26300	0.80	
0.30	2850	4562	27100	0.95	K 87 R57 Y63S4
0.34	2610	4037	27400	1.05	KF 87 R57 Y63S4
0.38	2330	3609	27700	1.15	KA 87 R57 Y63S4
0.44	1990	3107	28100	1.35	KAF 87 R57 Y63S4
0.51	1700	2728	28300	1.60	
0.58	1500	2371	28500	1.80	
0.66	1380	2088	28600	1.95	
0.74	1220	1854	28700	2.2	
0.83	1090	1657	28700	2.5	K 87 R57 Y63S4
0.97	930	1415	28800	2.9	KF 87 R57 Y63S4
1.1	800	1229	28900	3.4	KA 87 R57 Y63S4
1.3	695	1078	28900	3.9	KAF 87 R57 Y63S4
1.5	585	951	29000	4.6	
1.6	505	837	29000	5.4	
1.9	435	726	29000	6.2	
0.51	1790	2717	13400	0.85	K 77 R37 Y63S4
0.58	1510	2370	15700	1.05	KF 77 R37 Y63S4
				1.05	KA 77 R37 Y63S4
				1.05	KAF 77 R37 Y63S4
0.67	1380	2050	16500	1.10	
0.78	1180	1772	17500	1.30	
0.91	1010	1514	18300	1.55	
0.99	920	1388	18600	1.70	K 77 R37 Y63S4
1.1	810	1218	19000	1.90	KF 77 R37 Y63S4
1.3	710	1053	19200	2.2	KA 77 R37 Y63S4
1.5	620	924	19500	2.5	KAF 77 R37 Y63S4
1.7	550	815	19600	2.8	
2.0	440	709	19800	3.5	
2.2	385	622	19900	4.0	

输出转速 Output speed n_2 [r/min]	输出转矩 Output torque T_a [N·m]	传动比 Ratio i	径向负荷 Permitted load FR2 [N]	使用系数 Service factor f_B	机型号 Model
0.12kW					
1.0	930	1351	9230	0.90	
1.2	795	1171	10500	1.05	
1.3	695	1034	11300	1.20	
1.5	585	903	12000	1.40	
1.7	545	793	12200	1.50	
2.0	440	697	12700	1.85	K 67 R37 Y63S4
2.2	390	613	12900	2.1	KF 67 R37 Y63S4
2.5	340	542	13000	2.4	KA 67 R37 Y63S4
2.9	315	471	13000	2.6	KAF 67 R37 Y63S4
3.3	265	420	13000	3.1	
3.8	235	361	13000	3.5	
4.3	210	323	13000	3.9	
4.9	176	279	13000	4.7	
5.6	155	246	13000	5.3	
6.3	134	217	13000	6.1	
1.5	585	906	7750	1.05	
1.7	525	806	8220	1.15	
2.0	445	699	8690	1.35	
2.2	390	615	8930	1.55	
2.5	340	544	9120	1.75	K 57 R37 Y63S4
2.9	310	473	9250	1.95	KF 57 R37 Y63S4
3.3	265	421	9420	2.3	KA 57 R37 Y63S4
3.8	235	362	9510	2.5	KAF 57 R37 Y63S4
4.3	210	319	9610	2.9	
4.9	176	280	9710	3.4	
5.6	155	248	9770	3.9	
6.4	135	215	9830	4.4	
7.2	122	192	9860	4.9	
2.2	430	639	2520	0.95	
2.5	370	552	6350	1.10	
2.8	315	495	6930	1.25	K 47 R37 Y63S4
3.2	280	426	7240	1.45	KF 47 R37 Y63S4
3.7	235	375	7560	1.70	KA 47 R37 Y63S4
4.2	215	327	7670	1.85	KAF 47 R37 Y63S4
4.8	189	289	7830	2.1	
4.0	235	346	4840	0.85	
4.5	200	304	5640	1.00	
5.2	182	267	5830	1.10	K 37 R17 Y63S4
5.9	157	234	6060	1.25	KF 37 R17 Y63S4
6.7	138	205	6220	1.45	KA 37 R17 Y63S4
7.6	120	181	6330	1.65	KAF 37 R17 Y63S4
8.6	105	160	6420	1.90	
10	88	136	6500	2.3	
6.2	184	144.79	13000	4.4	K 67 Y63M6
				4.4	KF 67 Y63M6
				4.4	KA 67 Y63M6
				4.4	KAF 67 Y63M6
6.2	185	145.14	9680	3.2	
7.3	158	123.85	9760	3.8	K 57 Y63M6
8.3	138	108.29	9820	4.3	KF 57 Y63M6
8.8	131	102.88	9840	4.6	KA 57 Y63M6
10	115	90.26	9880	5.2	KAF 57 Y63M6
12	98	76.56	9930	6.2	
9.5	121	145.14	9870	5.0	
11	103	123.85	9920	5.8	K 57 Y63S4
13	90	108.29	9950	6.7	KF 57 Y63S4
13	85	102.88	9960	7.0	KA 57 Y63S4
15	75	90.26	9990	8.0	KAF 57 Y63S4
6.8	168	131.87	7930	2.4	K 47 Y63M6
7.4	155	121.48	7990	2.6	KF 47 Y63M6
8.6	133	104.37	8070	3.0	KA 47 Y63M6
				3.0	KAF 47 Y63M6
10	110	131.87	8140	3.7	K 47 Y63S4
11	101	121.48	8170	4.0	KF 47 Y63S4
				4.0	KA 47 Y63S4
				4.0	KAF 47 Y63S4



Table with 8 columns: Output speed, Output torque, Ratio, Permitted load, Service factor, Model. Includes sections for 0.12kW, 0.18kW, and 0.25kW power ratings.

Table with 8 columns: Output speed, Output torque, Ratio, Permitted load, Service factor, Model. Includes sections for 0.18kW, 0.25kW, and 0.37kW power ratings.

Table with 8 columns: Output speed, Output torque, Ratio, Permitted load, Service factor, Model. Includes sections for 0.18kW, 0.25kW, 0.37kW, and 0.45kW power ratings.

Table with 8 columns: Output speed, Output torque, Ratio, Permitted load, Service factor, Model. Includes sections for 0.25kW, 0.37kW, 0.45kW, and 0.55kW power ratings.



Table with columns: Output speed, Output torque, Ratio, Permitted load FR2, Service factor fB, Model. Sections include 0.25kW, 0.37kW, and 0.55kW.

Table with columns: Output speed, Output torque, Ratio, Permitted load FR2, Service factor fB, Model. Sections include 0.25kW, 0.37kW, and 0.55kW.

Table with columns: Output speed, Output torque, Ratio, Permitted load FR2, Service factor fB, Model. Sections include 0.37kW, 0.55kW, and 0.75kW.

Table with columns: Output speed, Output torque, Ratio, Permitted load FR2, Service factor fB, Model. Sections include 0.37kW, 0.55kW, and 0.75kW.



Table with columns: Output speed, Output torque, Ratio, Permitted load, Service factor, Model. Multiple data rows for various gear ratios and models.

Table with columns: Output speed, Output torque, Ratio, Permitted load, Service factor, Model. Multiple data rows for various gear ratios and models.

Table with columns: Output speed, Output torque, Ratio, Permitted load, Service factor, Model. Multiple data rows for various gear ratios and models.

Table with columns: Output speed, Output torque, Ratio, Permitted load, Service factor, Model. Multiple data rows for various gear ratios and models.



Table with 7 columns: Output speed, Output torque, Ratio, Permitted load, Service factor, Model. Contains data for 1.5kW and 2.2kW power ratings across various gear ratios and models.

Table with 7 columns: Output speed, Output torque, Ratio, Permitted load, Service factor, Model. Contains data for 1.5kW and 2.2kW power ratings, including a section for 2.2kW.

Table with 7 columns: Output speed, Output torque, Ratio, Permitted load, Service factor, Model. Contains data for 2.2kW and 3.0kW power ratings.

Table with 7 columns: Output speed, Output torque, Ratio, Permitted load, Service factor, Model. Contains data for 2.2kW, 3.0kW, and 3.0kW power ratings.



Table with 7 columns: Output speed, Output torque, Ratio, Permitted load, Service factor, Model. Includes sections for 18.5kW, 22kW, and 30kW.

Table with 7 columns: Output speed, Output torque, Ratio, Permitted load, Service factor, Model. Includes sections for 22kW, 30kW, and 37kW.

Table with 7 columns: Output speed, Output torque, Ratio, Permitted load, Service factor, Model. Includes sections for 22kW, 30kW, and 37kW.

Table with 7 columns: Output speed, Output torque, Ratio, Permitted load, Service factor, Model. Includes sections for 30kW, 37kW, and 45kW.



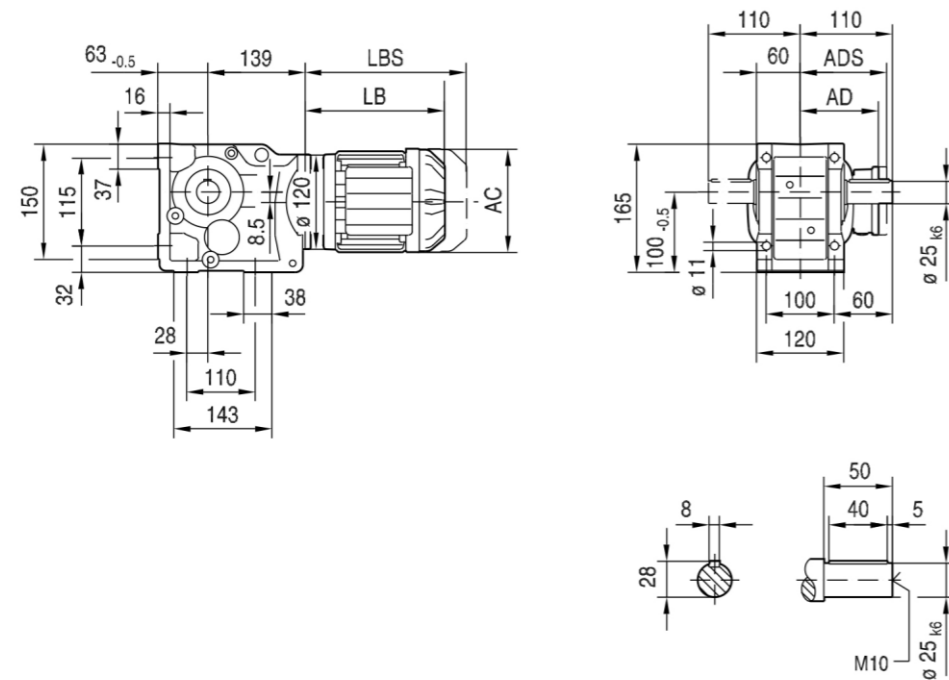
Table with 7 columns: Output speed, Output torque, Ratio, Permitted load, Service factor, Model. Includes power ratings 37kW, 45kW, and 75kW.

Table with 7 columns: Output speed, Output torque, Ratio, Permitted load, Service factor, Model. Includes power ratings 45kW, 55kW, and 75kW.

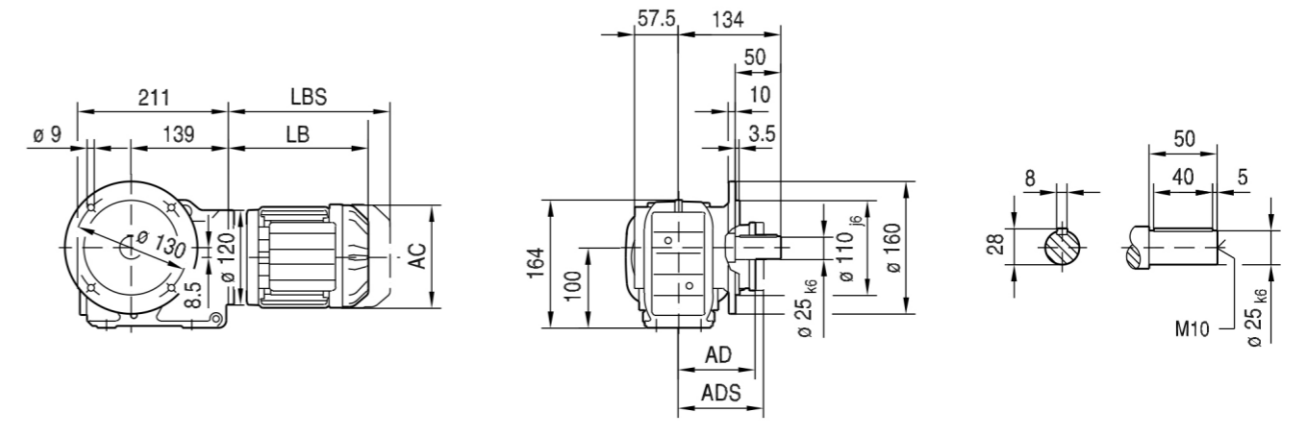
Table with 7 columns: Output speed, Output torque, Ratio, Permitted load, Service factor, Model. Includes power ratings 75kW, 90kW, and 110kW.

Table with 7 columns: Output speed, Output torque, Ratio, Permitted load, Service factor, Model. Includes power ratings 110kW, 132kW, 160kW, and 200kW.

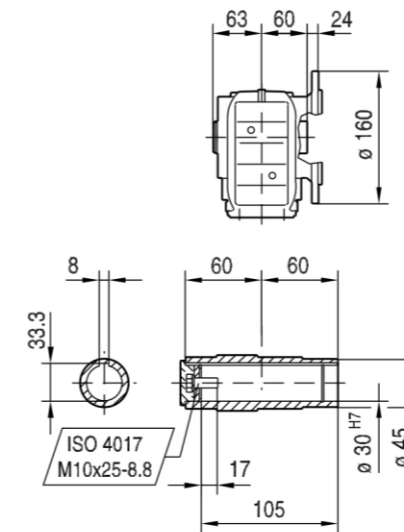
K37..



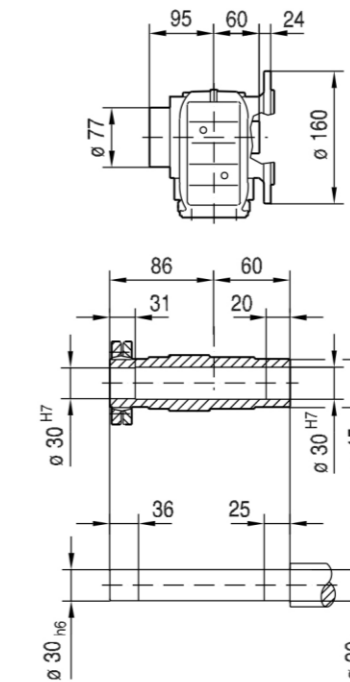
KF37..



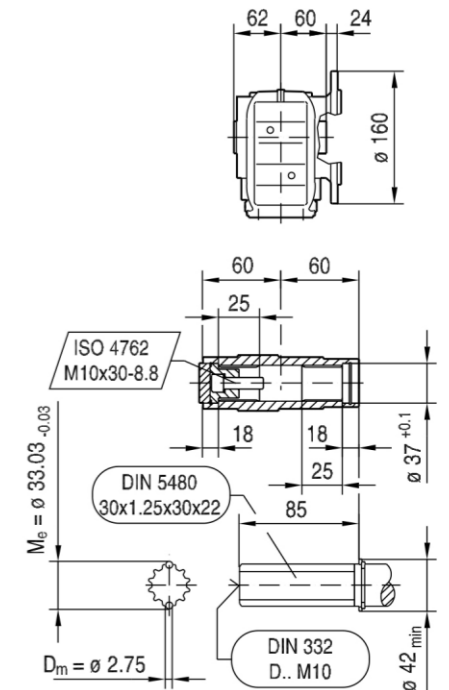
KAF37..



KHF37..



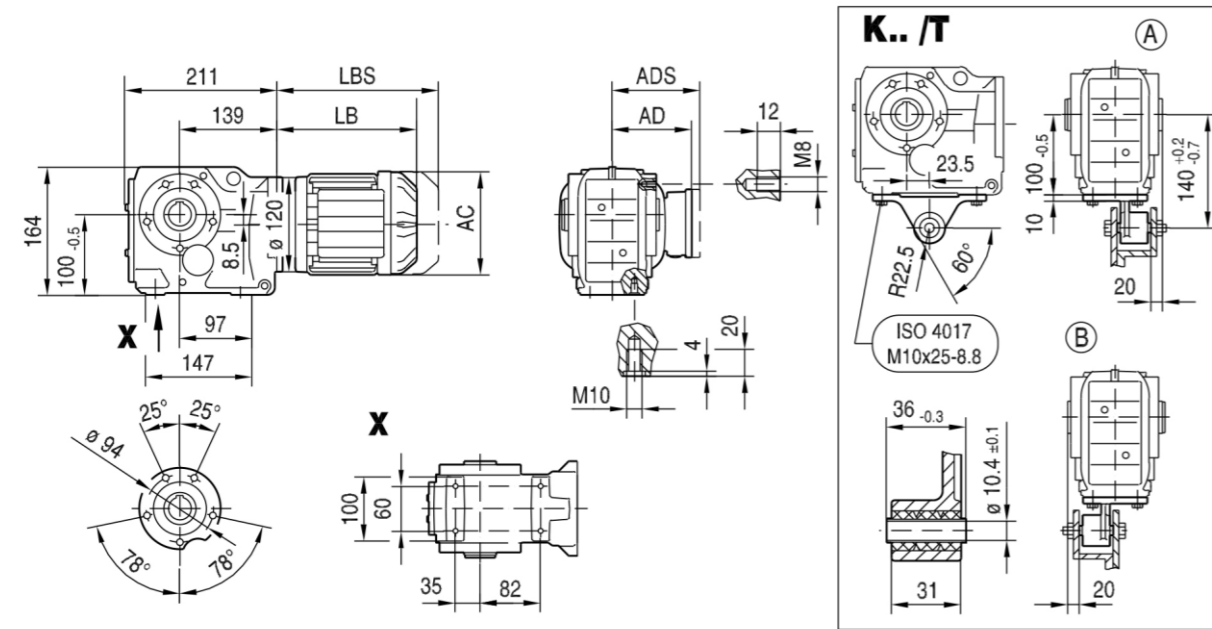
KVF37..



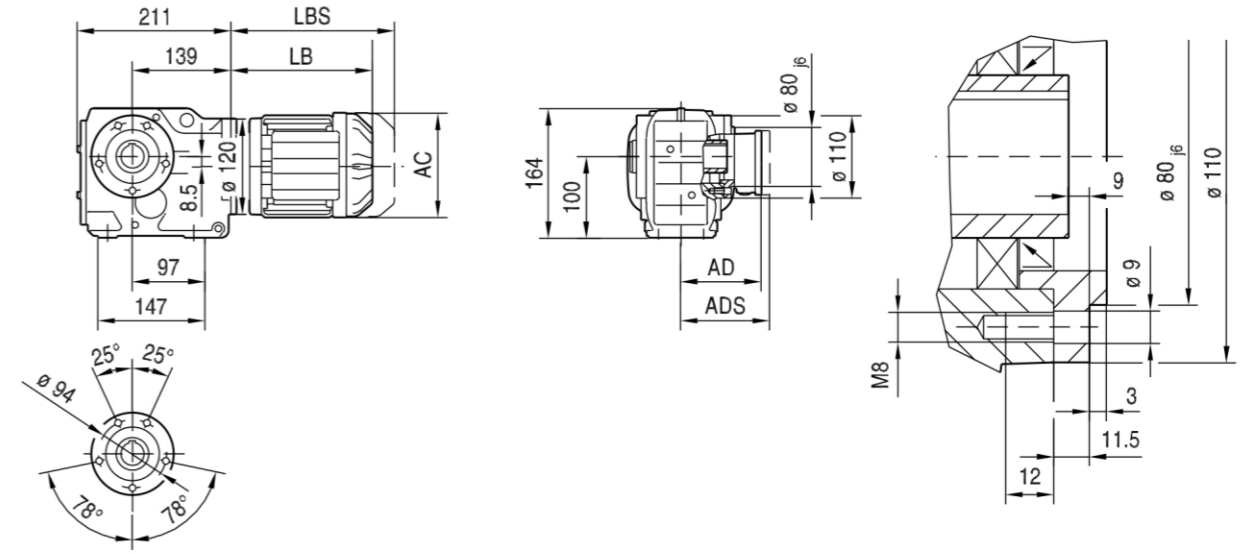
注： 1. LB、LBS、AC、AD、ADS尺寸详见附录A；
Note: 1. See appendix A for the size of LB&LBS&AC&AD&ADS;
2. 电机需方配或配特殊电机时需加联接法兰。（见附录B）
2. When equipping the user's motor or the special one, the flange is required to connected.(Please see appendix B)

注： 1. LB、LBS、AC、AD、ADS尺寸详见附录A；
Note: 1. See appendix A for the size of LB&LBS&AC&AD&ADS;
2. 电机需方配或配特殊电机时需加联接法兰。（见附录B）
2. When equipping the user's motor or the special one, the flange is required to connected.(Please see appendix B)

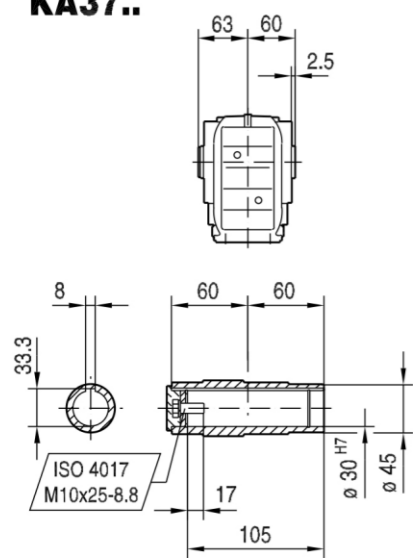
KA37..



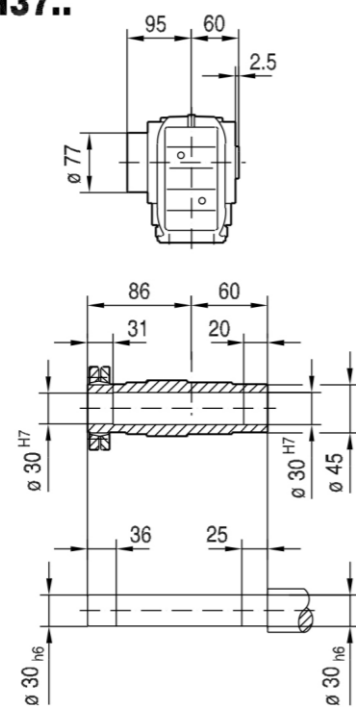
KAZ37..



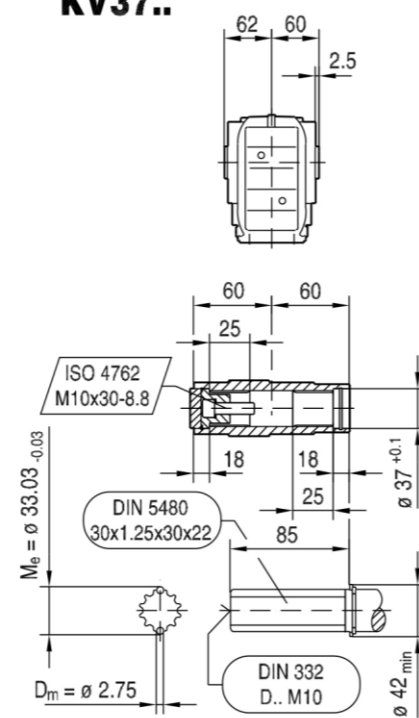
KA37..



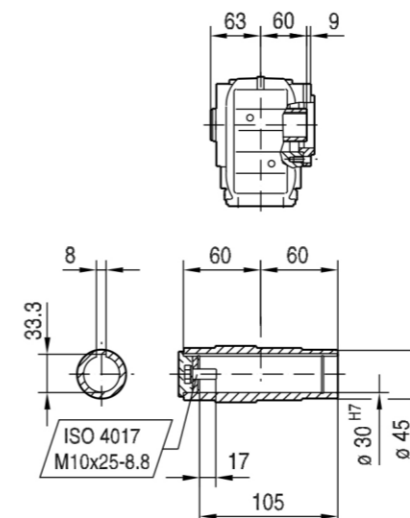
KH37..



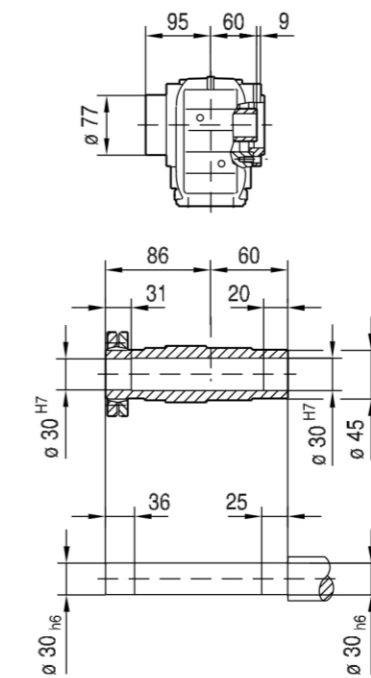
KV37..



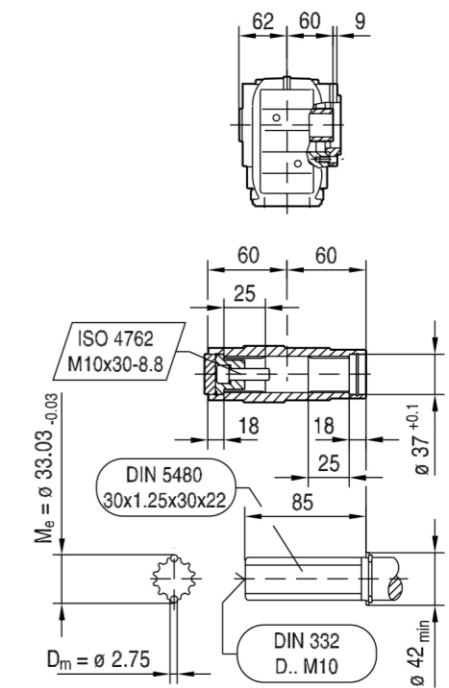
KAZ37..



KHZ37..



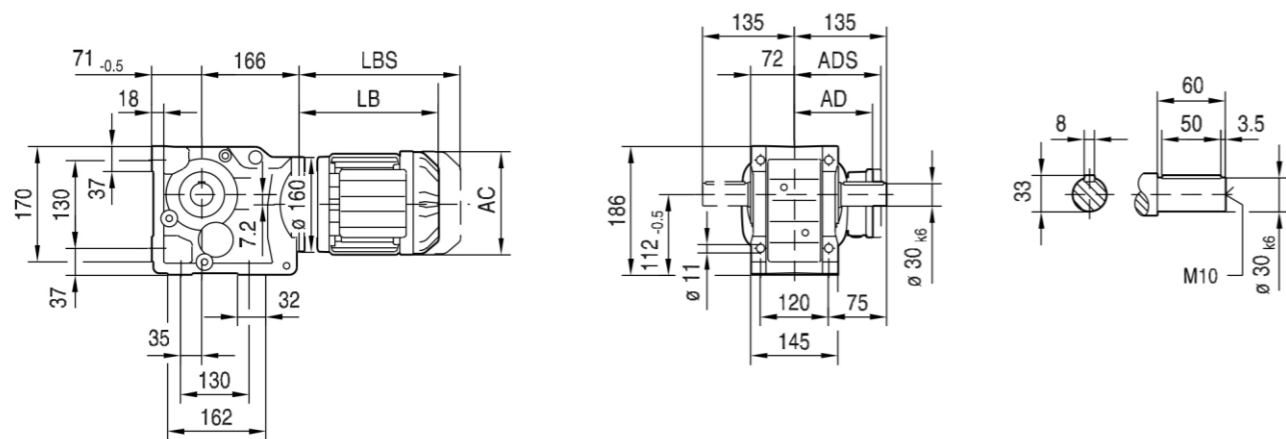
KVZ37..



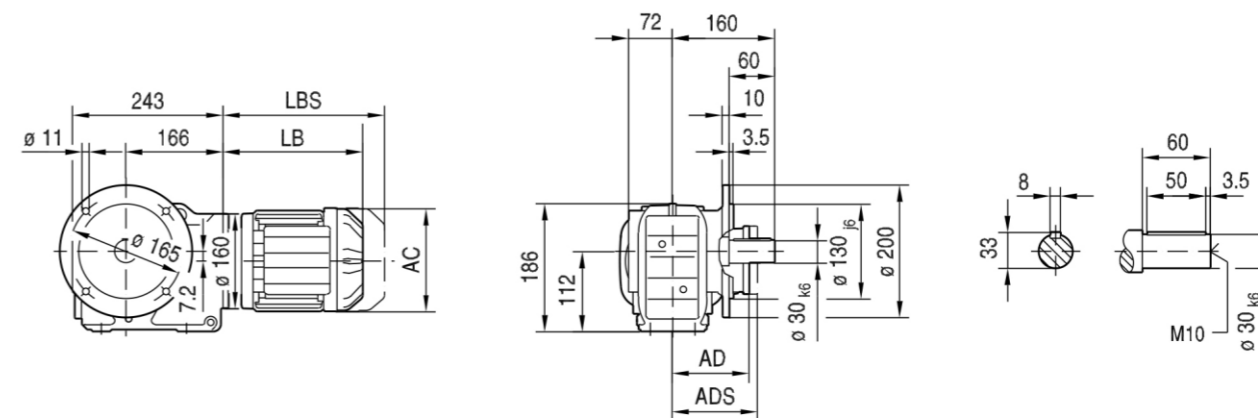
注： 1. LB、LBS、AC、AD、ADS尺寸详见附录A；
Note: 1. See appendix A for the size of LB&LBS&AC&AD&ADS;
2. 电机需方配或配特殊电机时需加联接法兰。(见附录B)
2. When equipping the user's motor or the special one, the flange is required to connected. (Please see appendix B)

注： 1. LB、LBS、AC、AD、ADS尺寸详见附录A；
Note: 1. See appendix A for the size of LB&LBS&AC&AD&ADS;
2. 电机需方配或配特殊电机时需加联接法兰。(见附录B)
2. When equipping the user's motor or the special one, the flange is required to connected. (Please see appendix B)

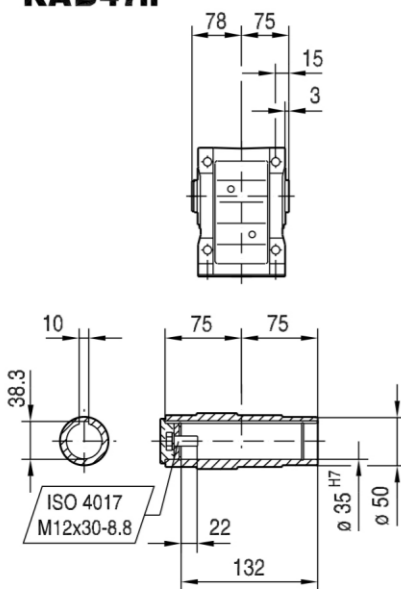
K47..



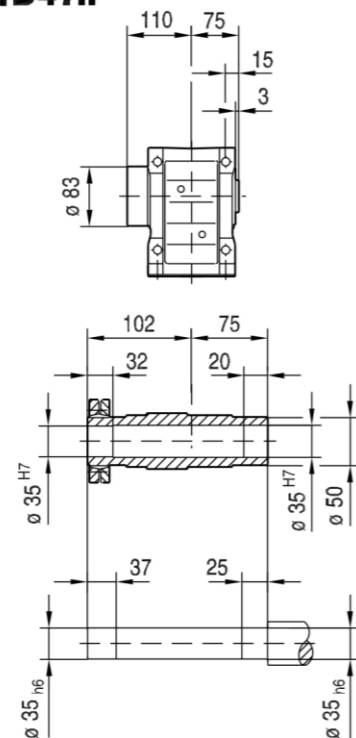
KF47..



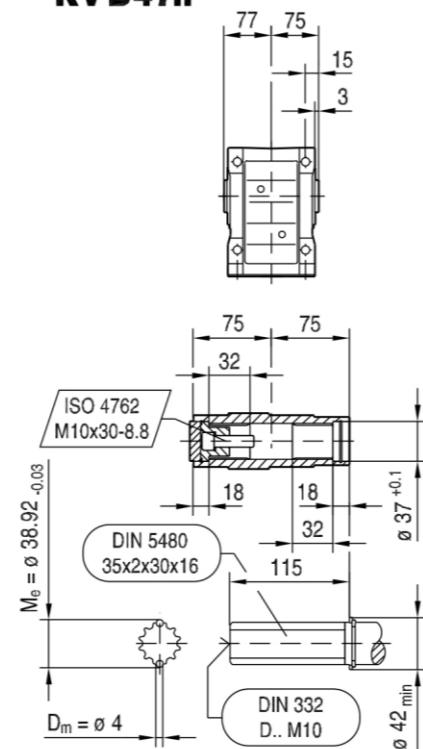
KAB47..



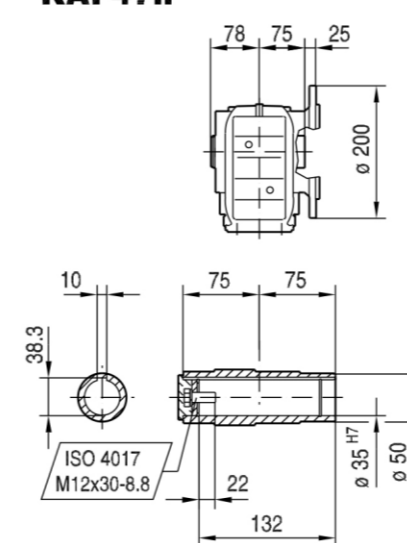
KHB47..



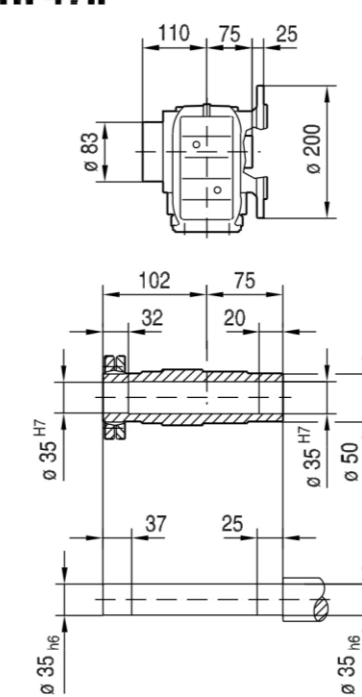
KVB47..



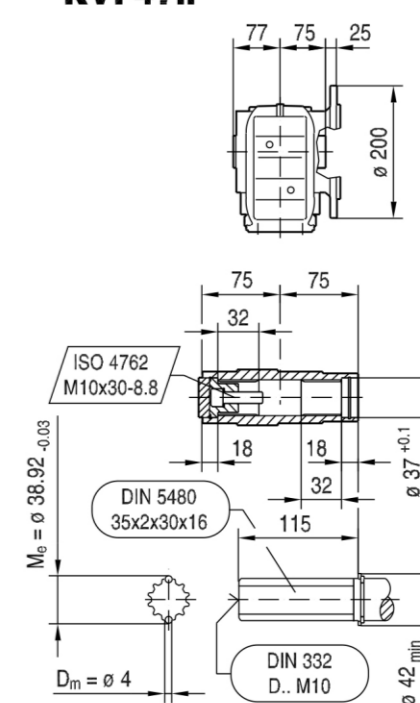
KAF47..



KHF47..



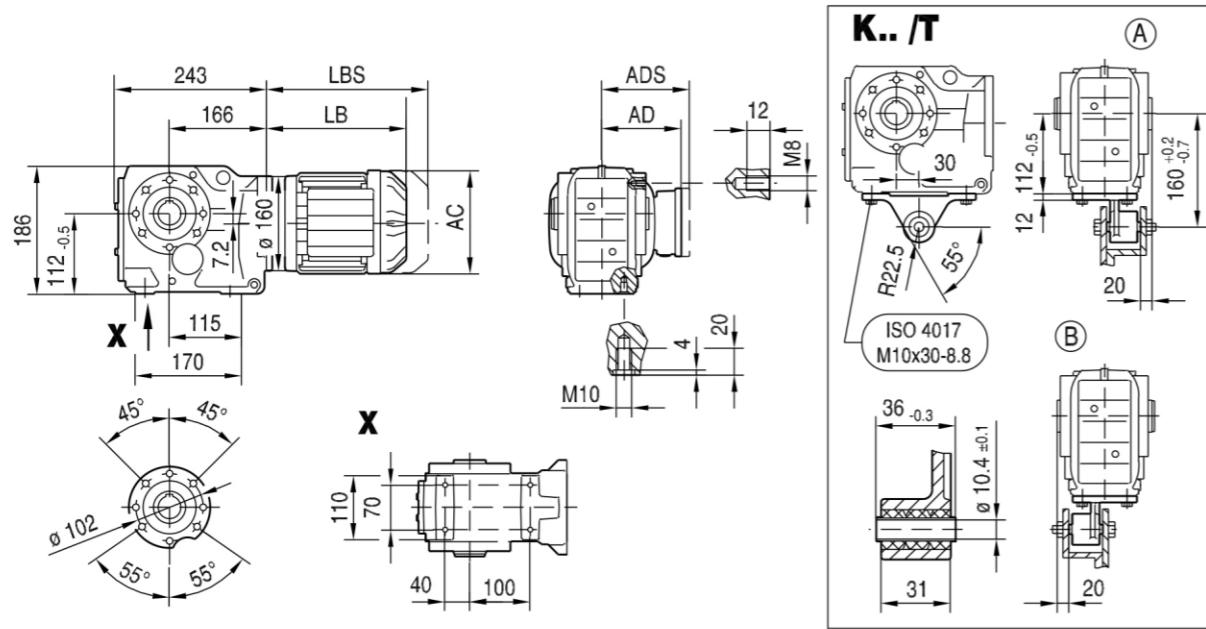
KVF47..



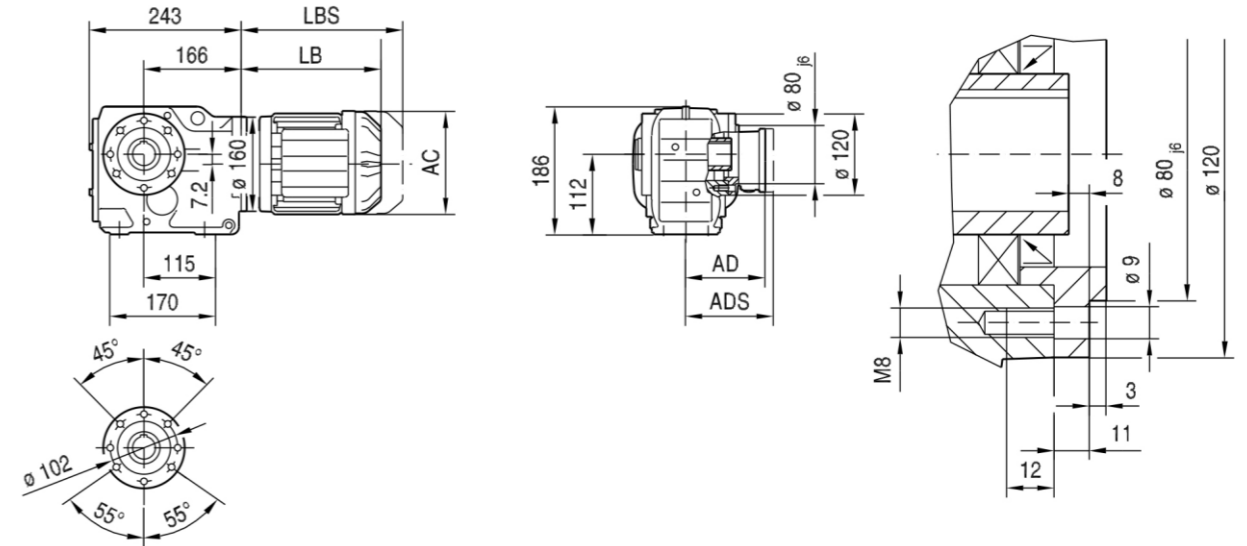
注: 1. LB、LBS、AC、AD、ADS尺寸详见附录A;
Note: 1. See appendix A for the size of LB&LBS&AC&AD&ADS;
2. 电机需方配或配特殊电机时需加联接法兰。(见附录B)
2. When equipping the user's motor or the special one, the flange is required to connected.(Please see appendix B)

注: 1. LB、LBS、AC、AD、ADS尺寸详见附录A;
Note: 1. See appendix A for the size of LB&LBS&AC&AD&ADS;
2. 电机需方配或配特殊电机时需加联接法兰。(见附录B)
2. When equipping the user's motor or the special one, the flange is required to connected.(Please see appendix B)

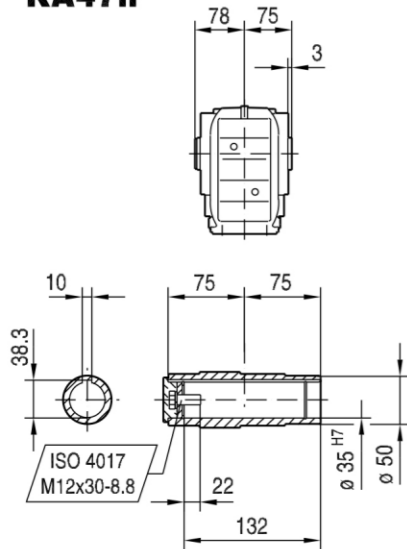
KA47..



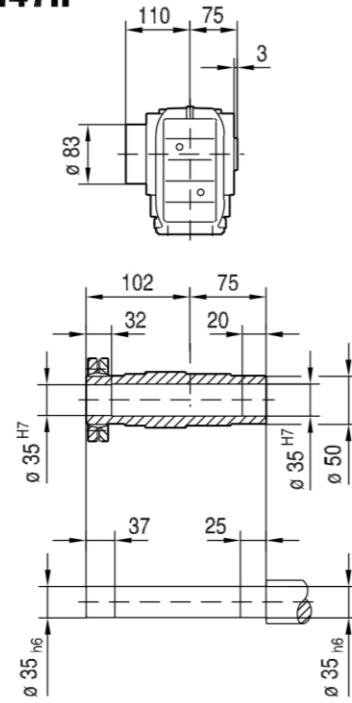
KAZ47..



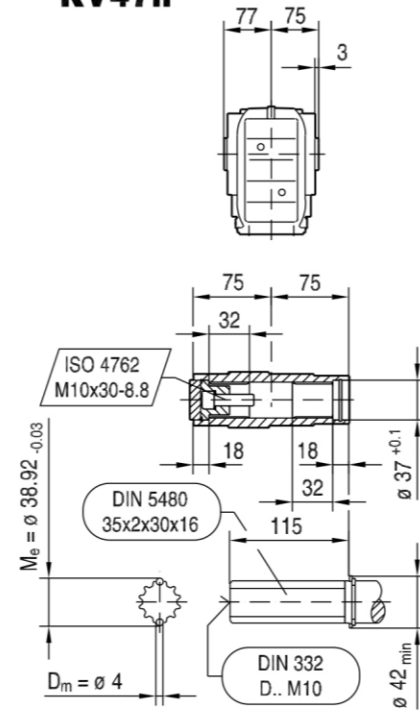
KA47..



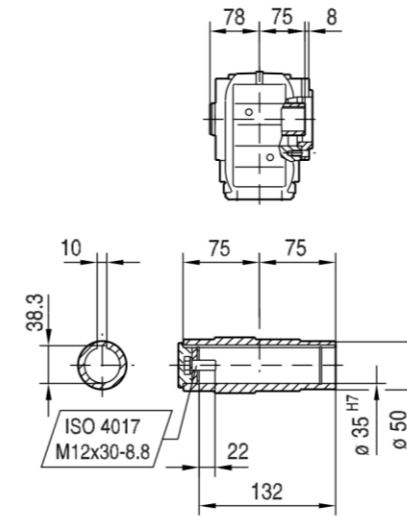
KH47..



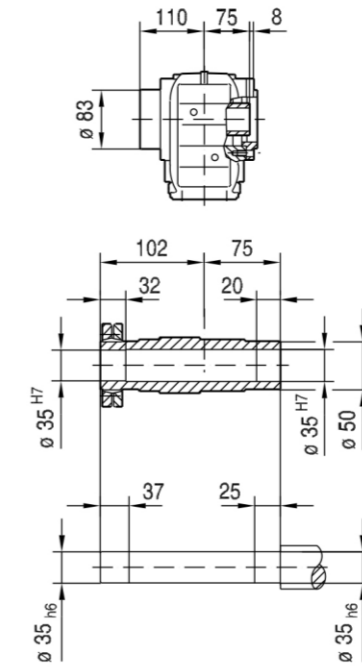
KV47..



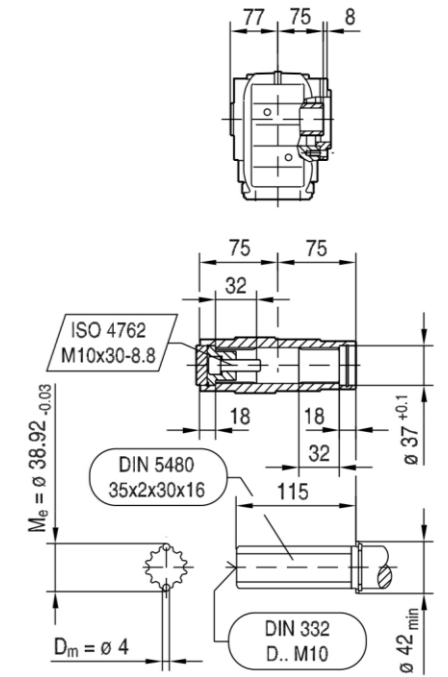
KAZ47..



KHZ47..



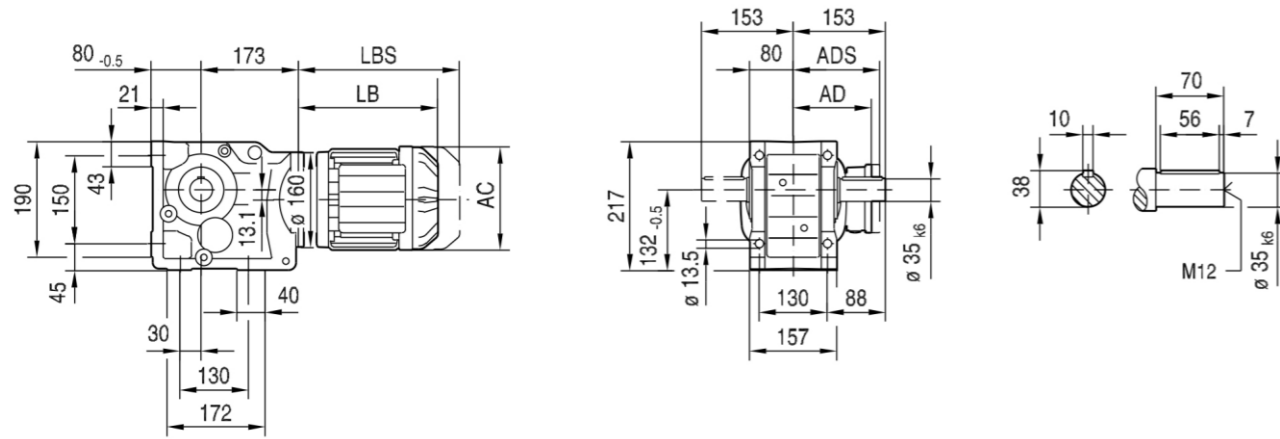
KVZ47..



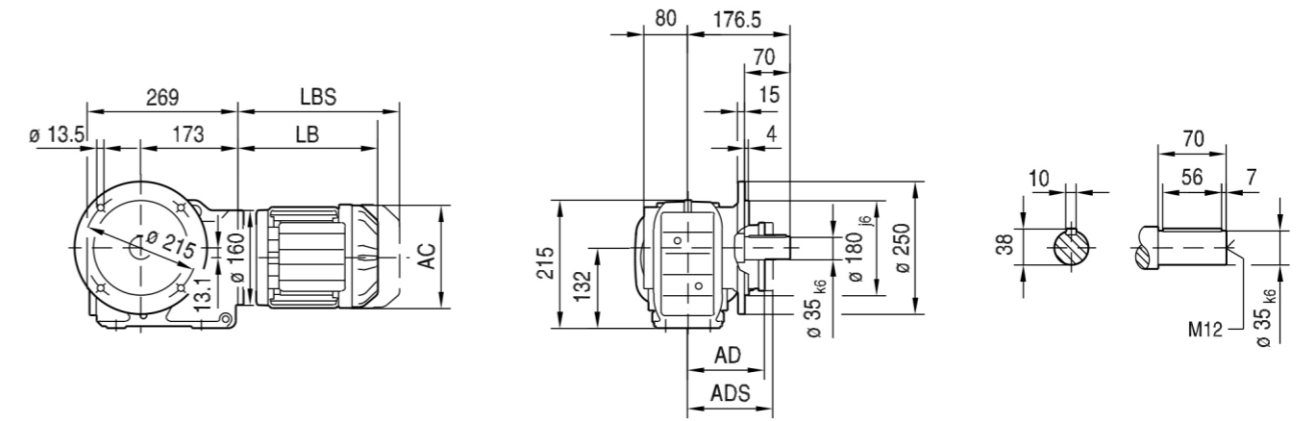
注: 1. LB、LBS、AC、AD、ADS尺寸详见附录A;
Note: 1. See appendix A for the size of LB&LBS&AC&AD&ADS;
2. 电机需方配或配特殊电机时需加联接法兰。(见附录B)
2. When equipping the user's motor or the special one, the flange is required to connected. (Please see appendix B)

注: 1. LB、LBS、AC、AD、ADS尺寸详见附录A;
Note: 1. See appendix A for the size of LB&LBS&AC&AD&ADS;
2. 电机需方配或配特殊电机时需加联接法兰。(见附录B)
2. When equipping the user's motor or the special one, the flange is required to connected. (Please see appendix B)

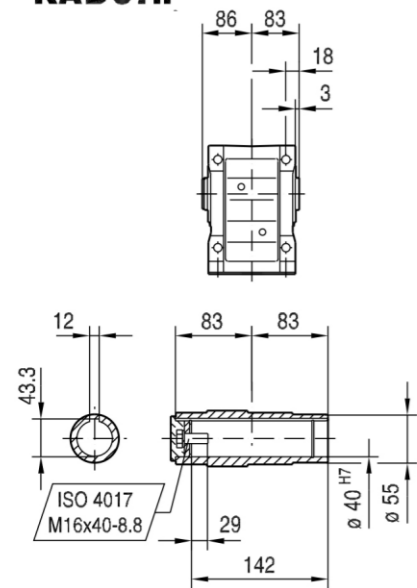
K57..



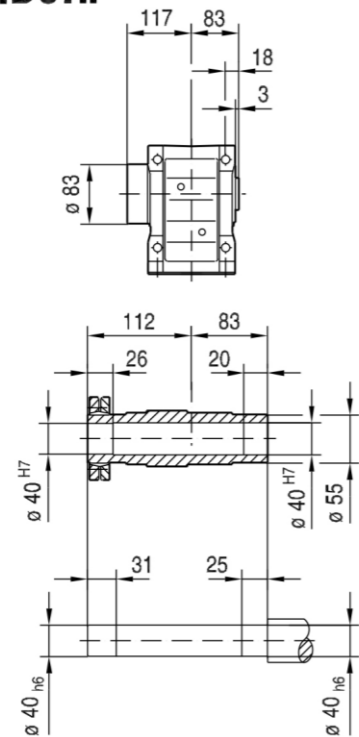
KF57..



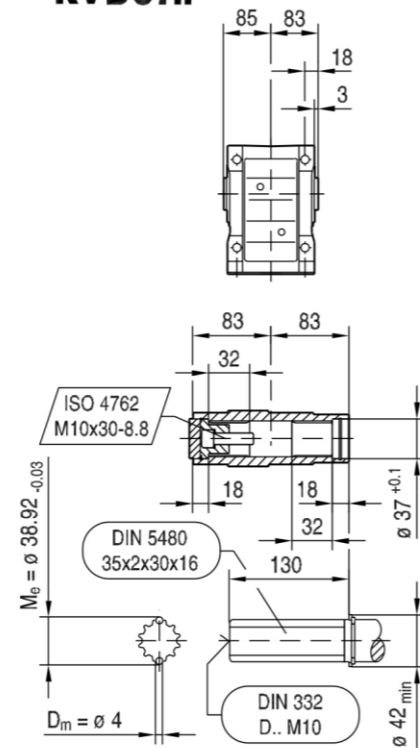
KAB57..



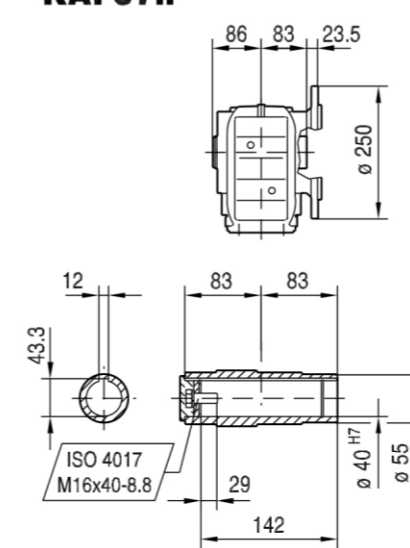
KHB57..



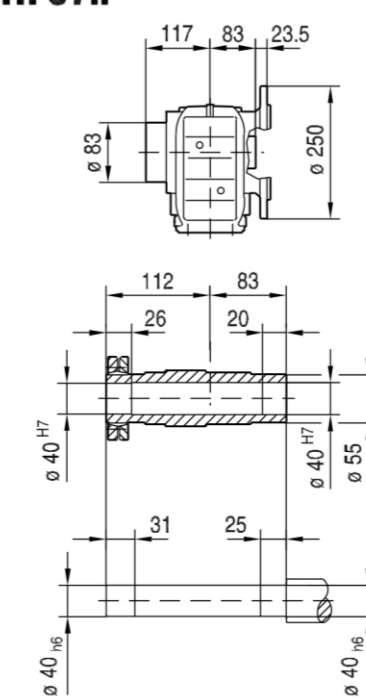
KVB57..



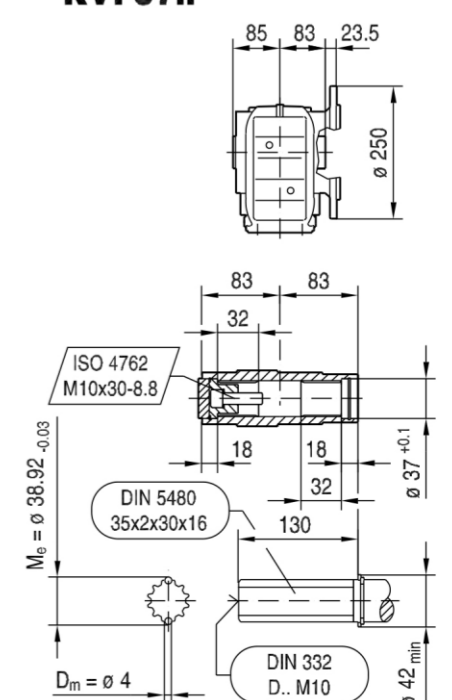
KAF57..



KHF57..



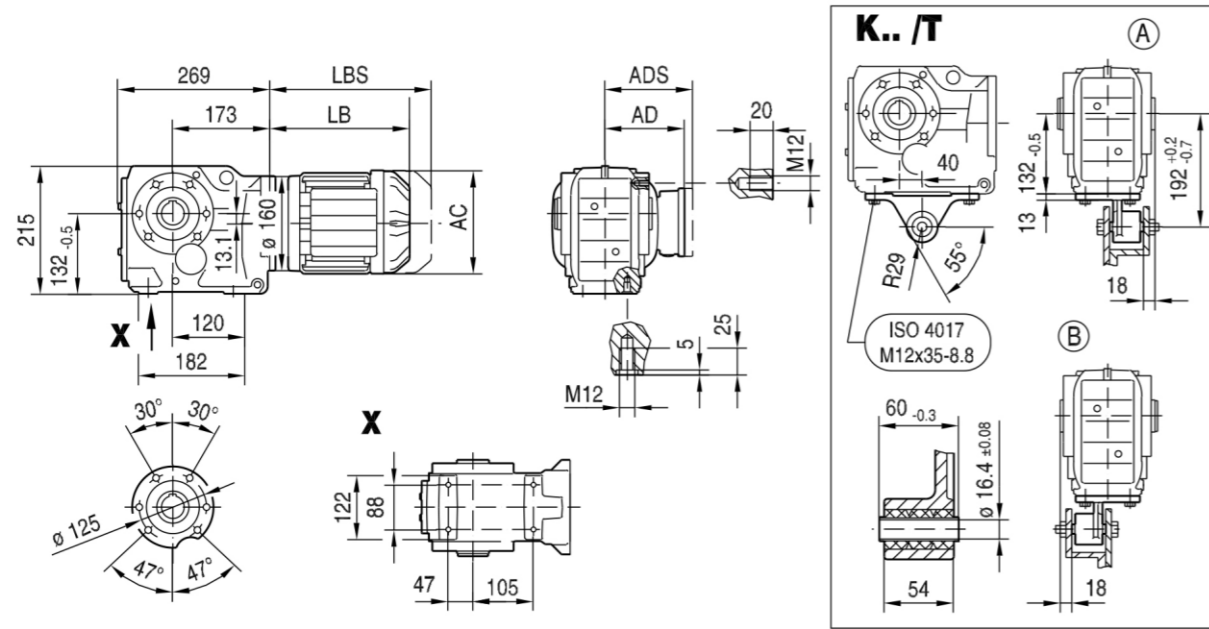
KVF57..



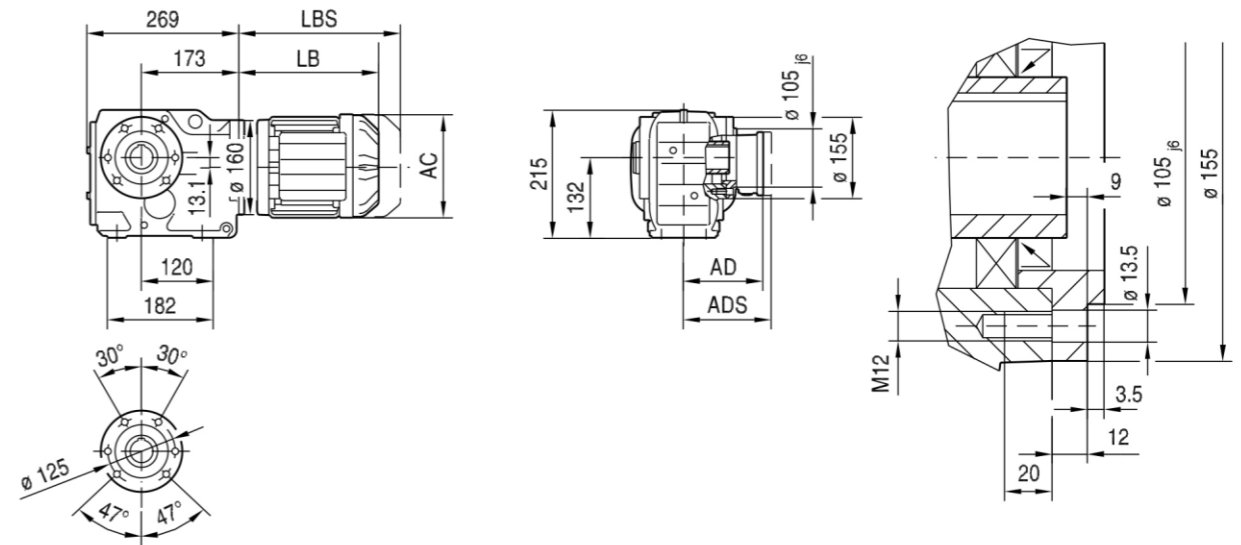
注: 1. LB、LBS、AC、AD、ADS尺寸详见附录A;
Note: 1. See appendix A for the size of LB&LBS&AC&AD&ADS;
2. 电机需方配或配特殊电机时需加联接法兰。(见附录B)
2. When equipping the user's motor or the special one, the flange is required to connected. (Please see appendix B)

注: 1. LB、LBS、AC、AD、ADS尺寸详见附录A;
Note: 1. See appendix A for the size of LB&LBS&AC&AD&ADS;
2. 电机需方配或配特殊电机时需加联接法兰。(见附录B)
2. When equipping the user's motor or the special one, the flange is required to connected. (Please see appendix B)

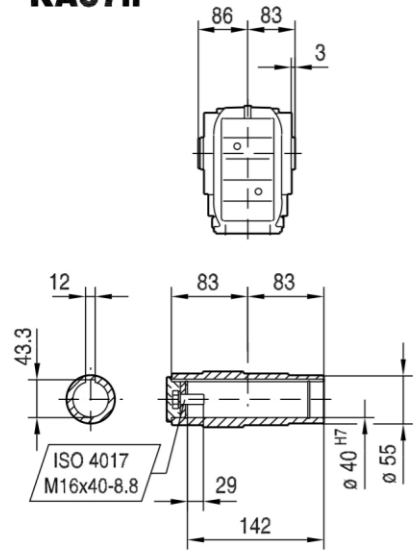
KA57..



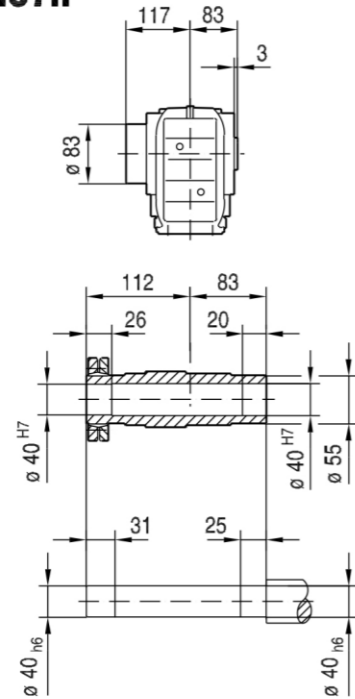
KAZ57..



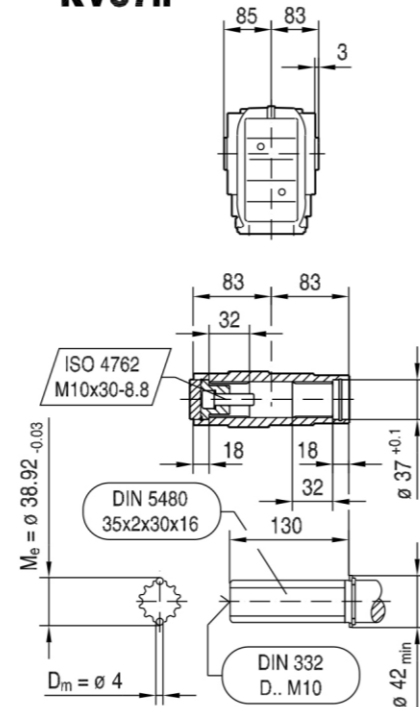
KA57..



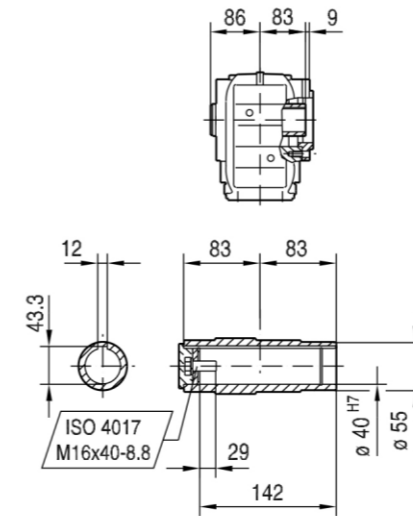
KH57..



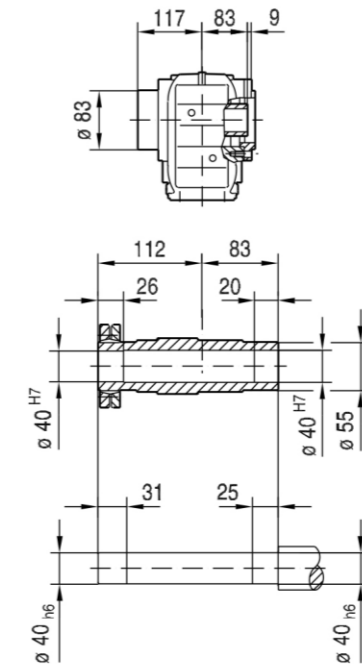
KV57..



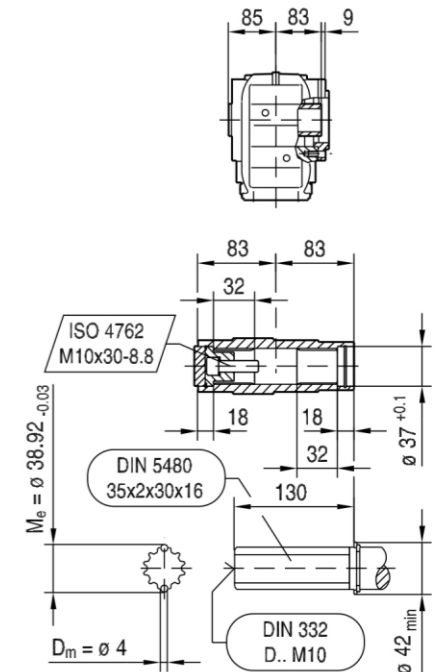
KAZ57..



KHZ57..



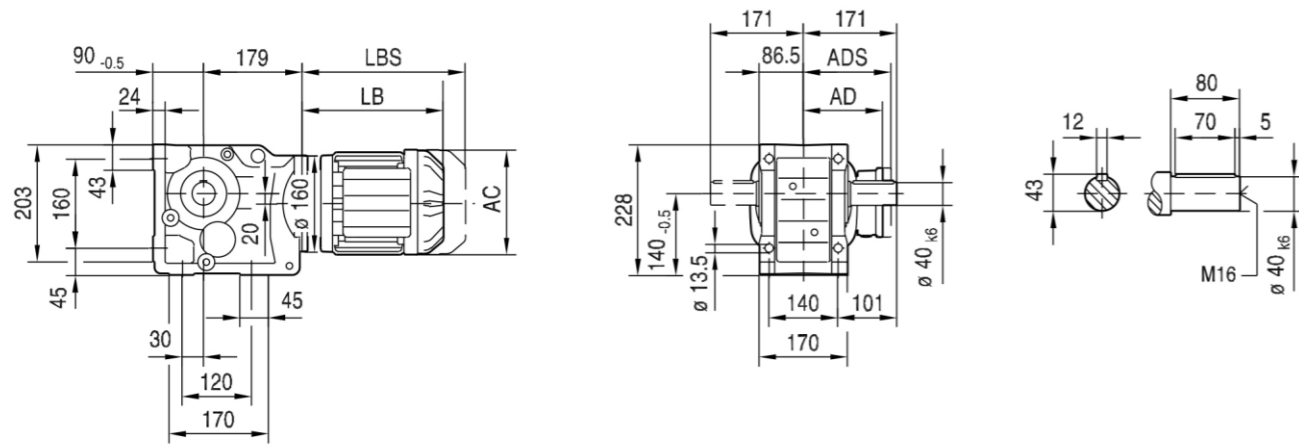
KVZ57..



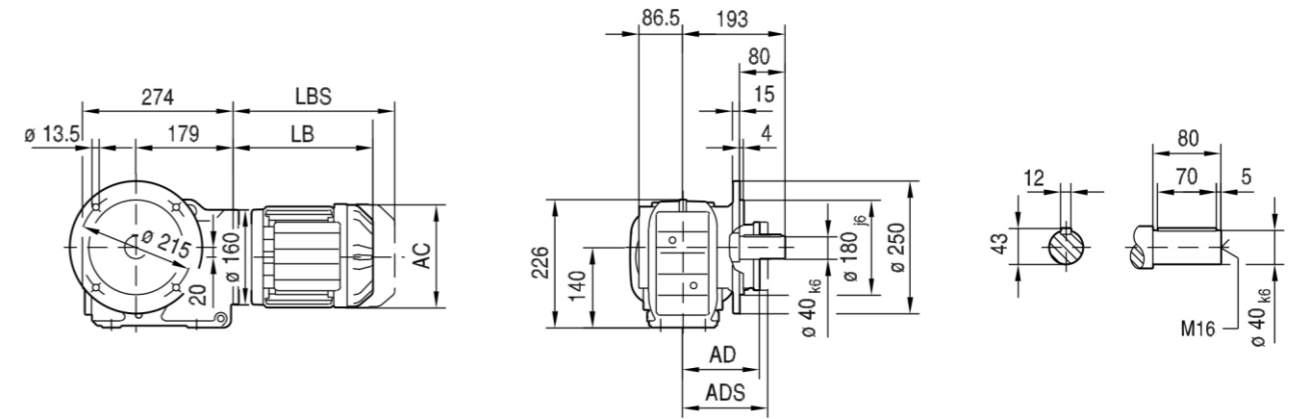
注: 1. LB、LBS、AC、AD、ADS尺寸详见附录A;
Note: 1. See appendix A for the size of LB&LBS&AC&AD&ADS;
2. 电机需方配或配特殊电机时需加联接法兰。(见附录B)
2. When equipping the user's motor or the special one, the flange is required to connected. (Please see appendix B)

注: 1. LB、LBS、AC、AD、ADS尺寸详见附录A;
Note: 1. See appendix A for the size of LB&LBS&AC&AD&ADS;
2. 电机需方配或配特殊电机时需加联接法兰。(见附录B)
2. When equipping the user's motor or the special one, the flange is required to connected. (Please see appendix B)

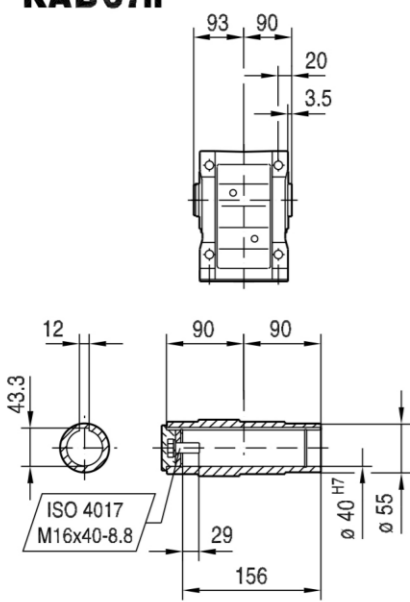
K67..



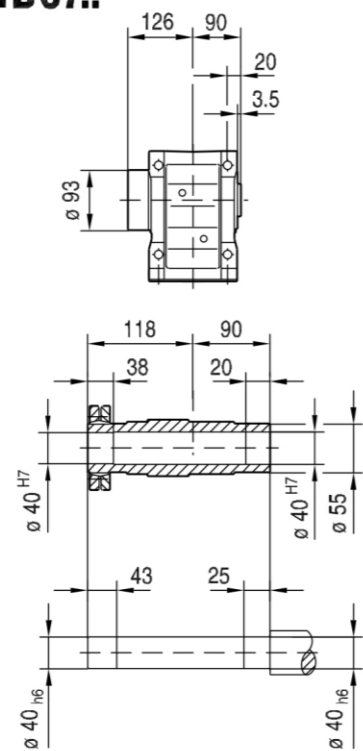
KF67..



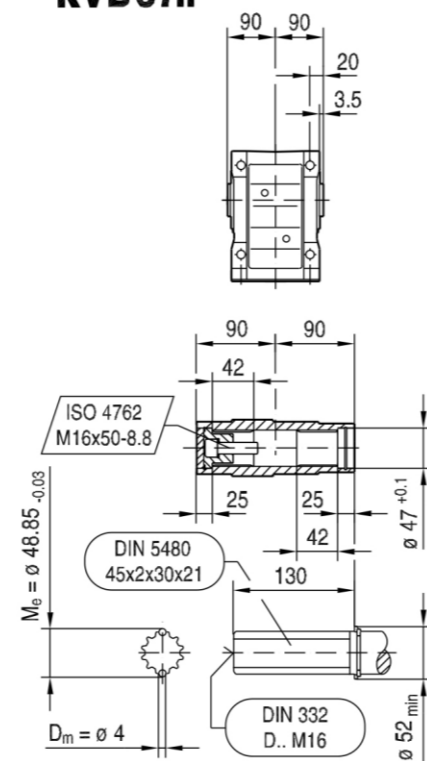
KAB67..



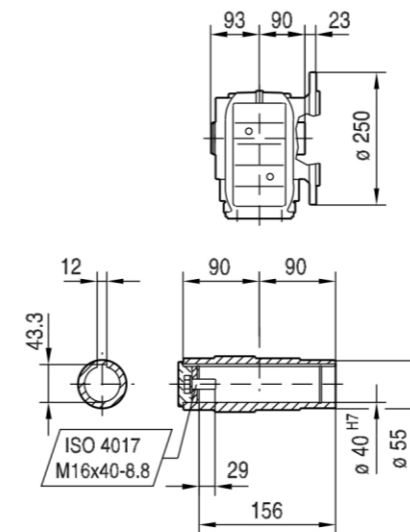
KHB67..



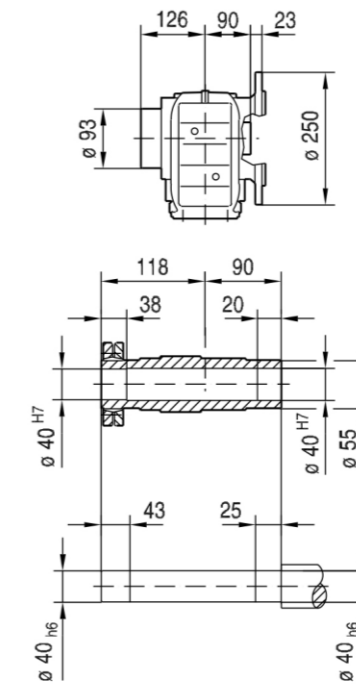
KVB67..



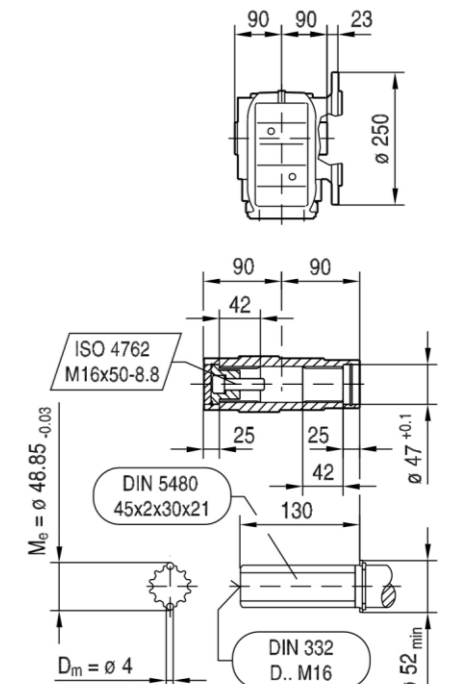
KAF67..



KHF67..



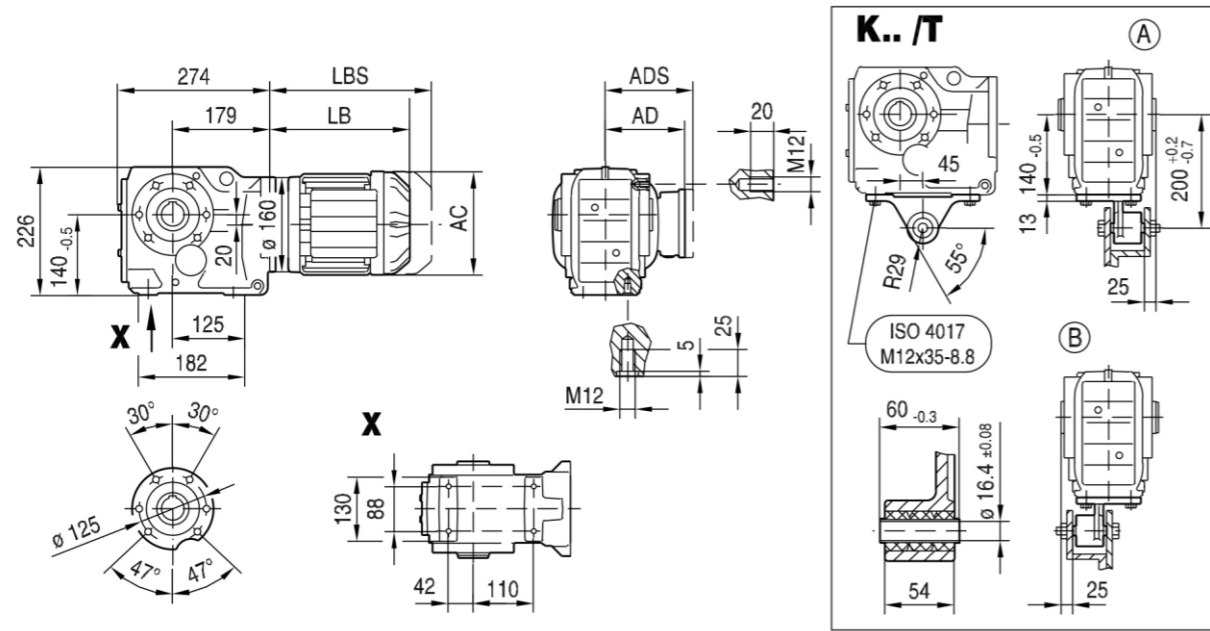
KVF67..



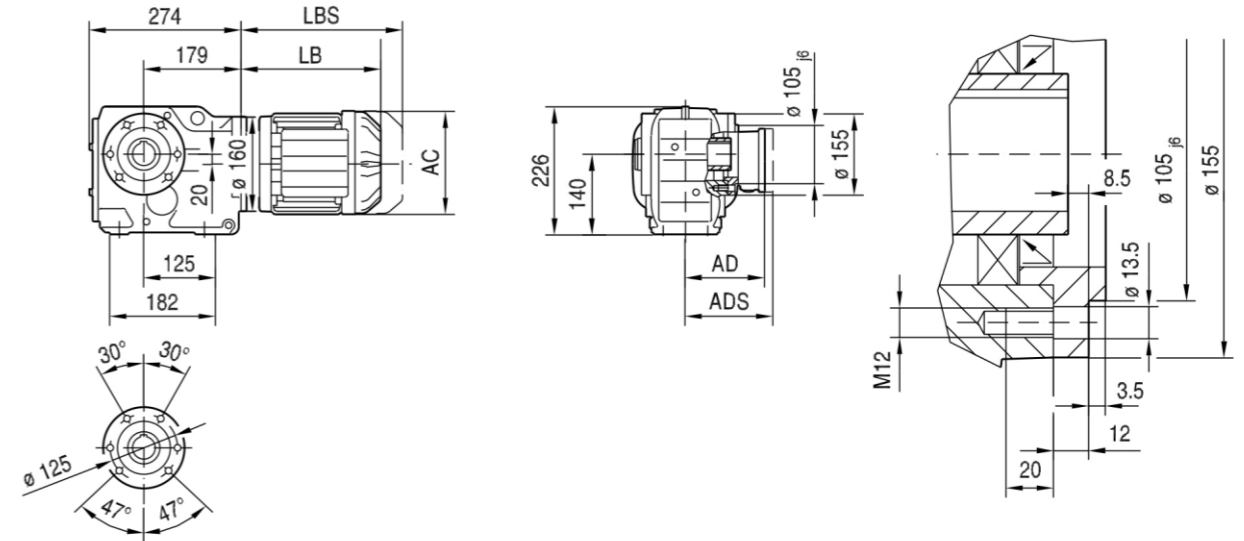
注: 1. LB、LBS、AC、AD、ADS尺寸详见附录A;
Note: 1. See appendix A for the size of LB&LBS&AC&AD&ADS;
2. 电机需方配或配特殊电机时需加联接法兰。(见附录B)
2. When equipping the user's motor or the special one, the flange is required to be connected. (Please see appendix B)

注: 1. LB、LBS、AC、AD、ADS尺寸详见附录A;
Note: 1. See appendix A for the size of LB&LBS&AC&AD&ADS;
2. 电机需方配或配特殊电机时需加联接法兰。(见附录B)
2. When equipping the user's motor or the special one, the flange is required to be connected. (Please see appendix B)

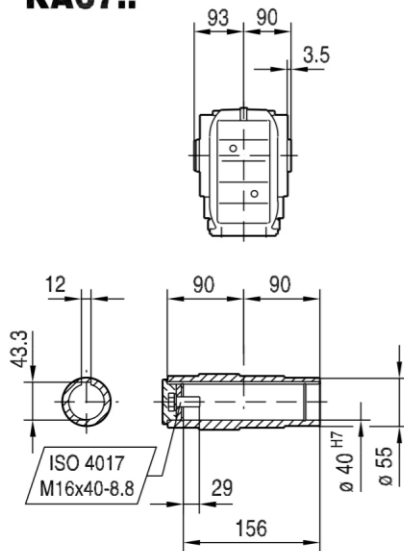
KA67..



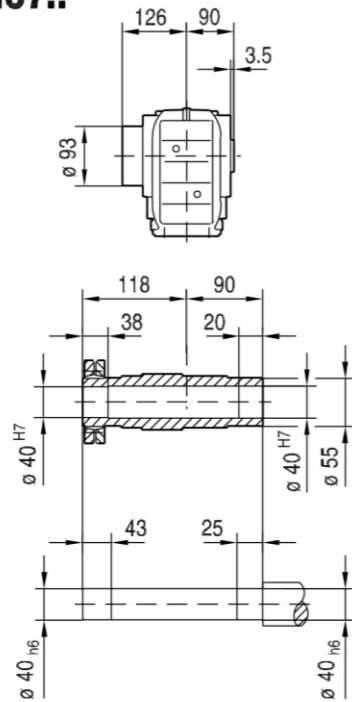
KAZ67..



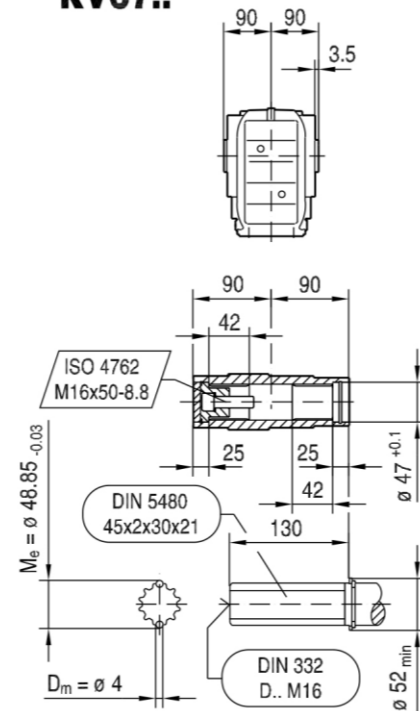
KA67..



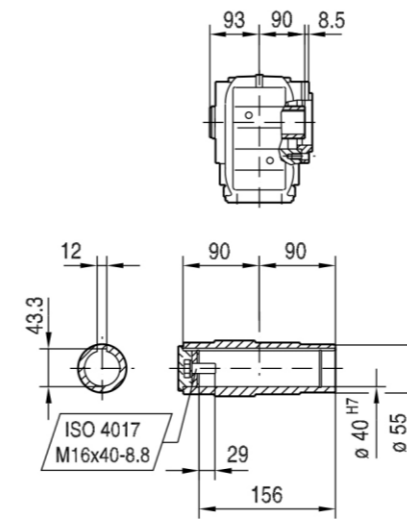
KH67..



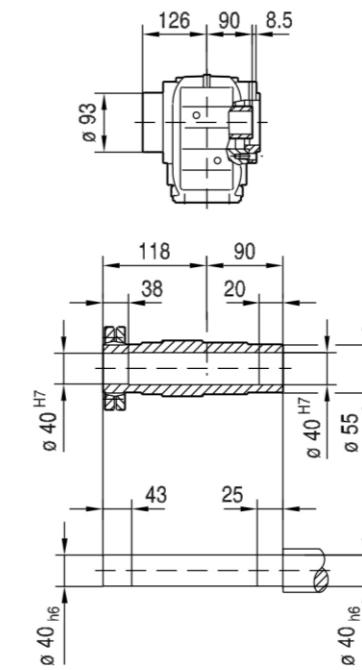
KV67..



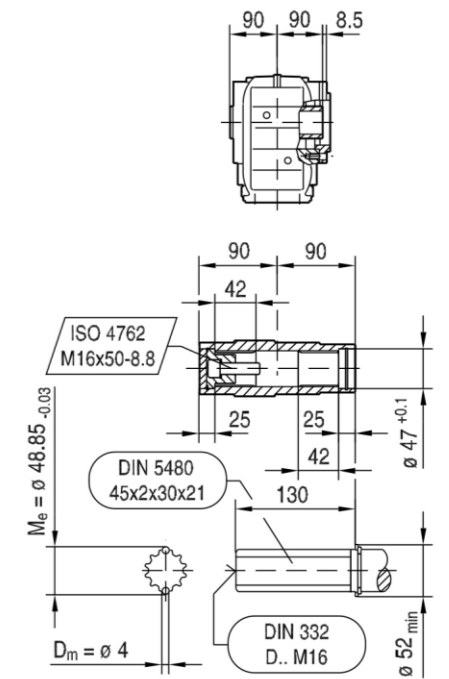
KAZ67..



KHZ67..



KVZ67..

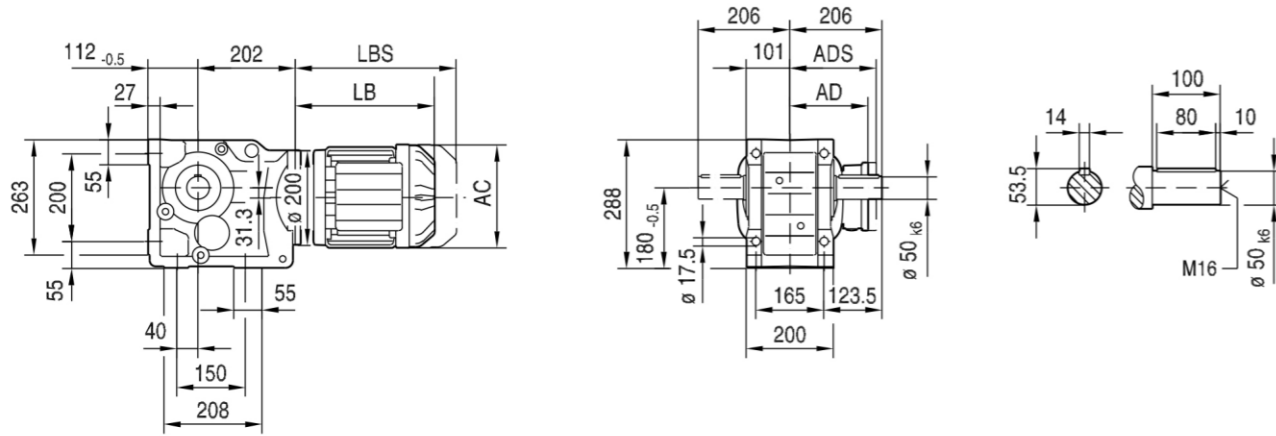


注： 1. LB、LBS、AC、AD、ADS尺寸详见附录A；
Note: 1. See appendix A for the size of LB&LBS&AC&AD&ADS;
2. 电机需方配或配特殊电机时需加联接法兰。(见附录B)
2. When equipping the user's motor or the special one, the flange is required to connected. (Please see appendix B)

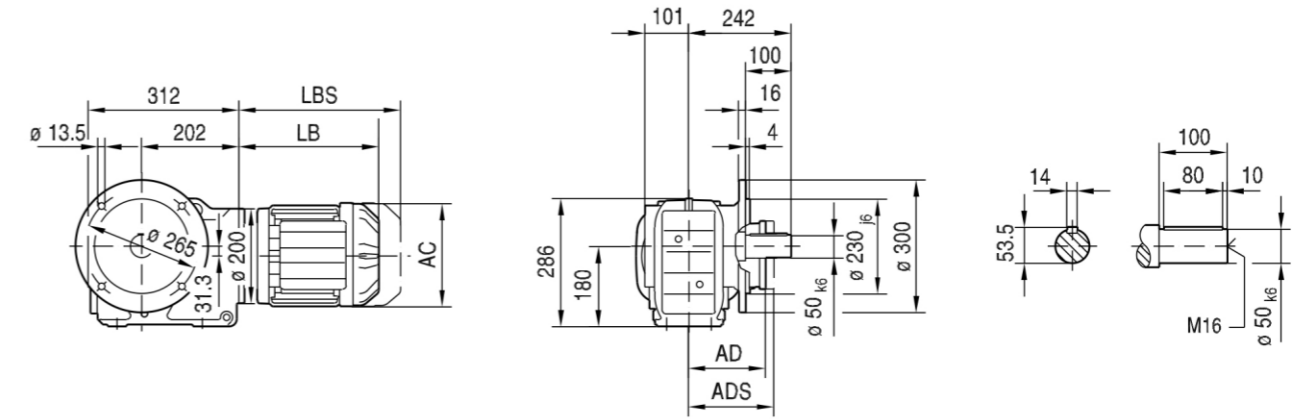
注： 1. LB、LBS、AC、AD、ADS尺寸详见附录A；
Note: 1. See appendix A for the size of LB&LBS&AC&AD&ADS;
2. 电机需方配或配特殊电机时需加联接法兰。(见附录B)
2. When equipping the user's motor or the special one, the flange is required to connected. (Please see appendix B)



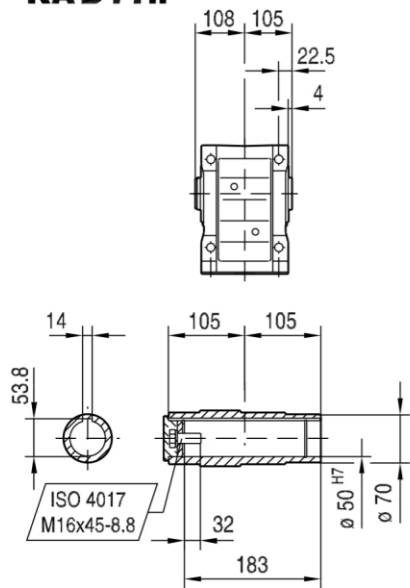
K77..



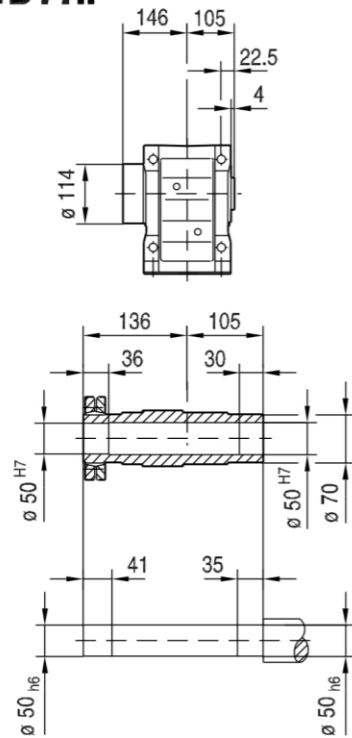
KF77..



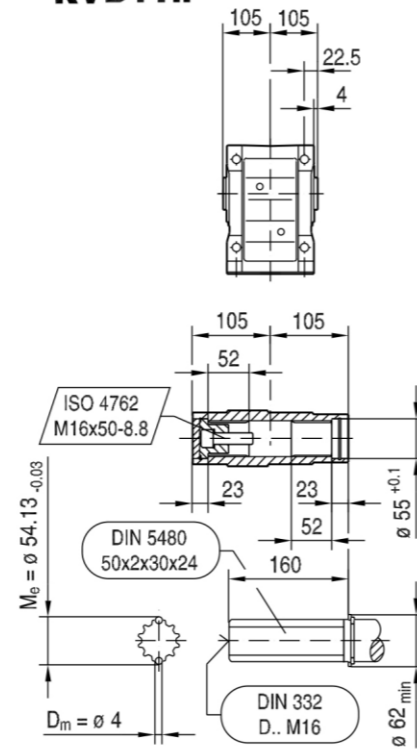
KAB77..



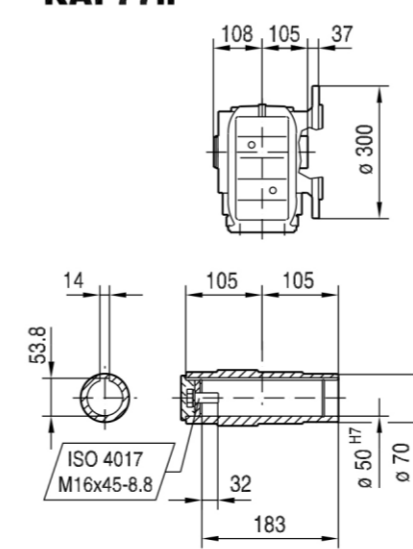
KHB77..



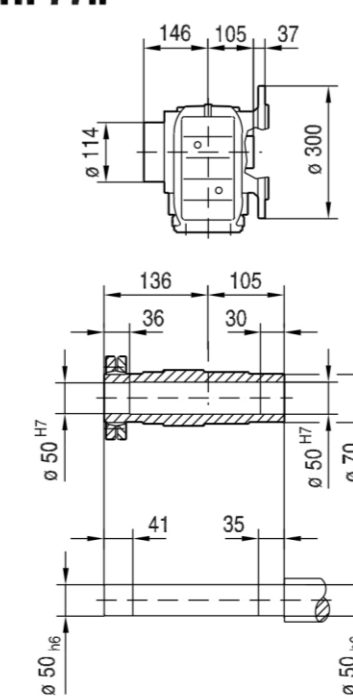
KVB77..



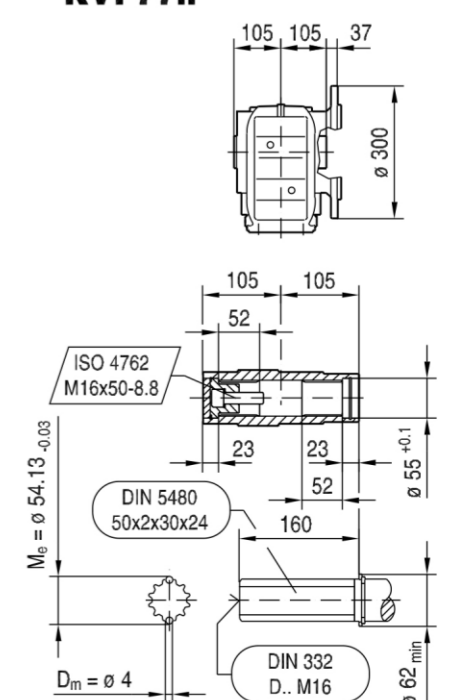
KAF77..



KHF77..



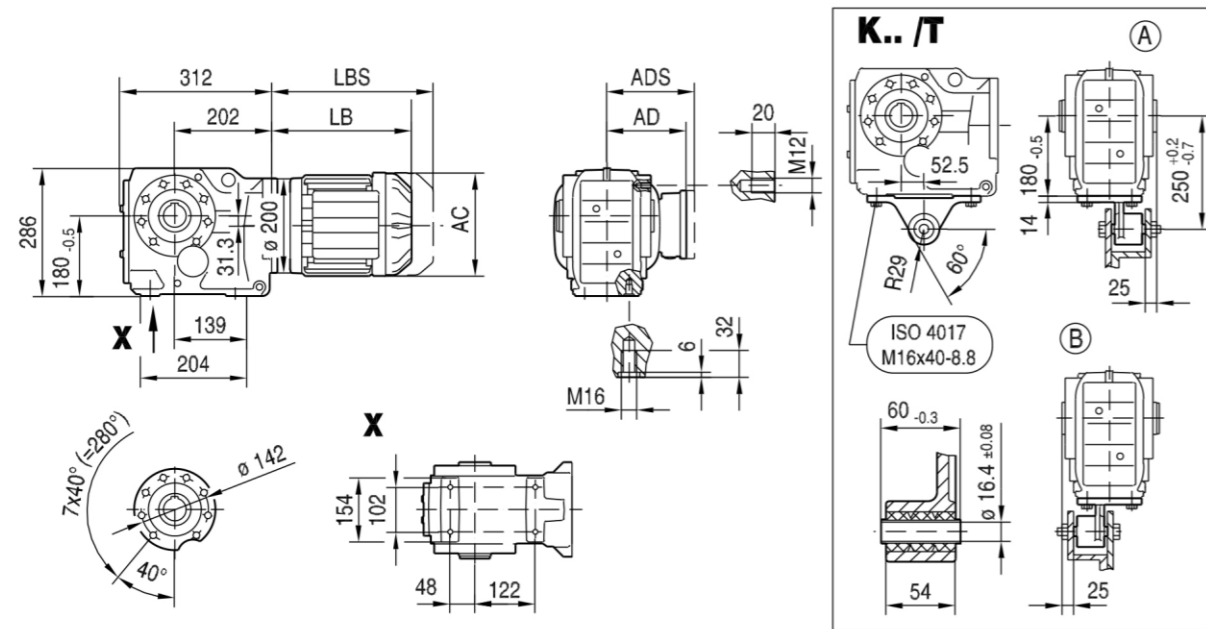
KVF77..



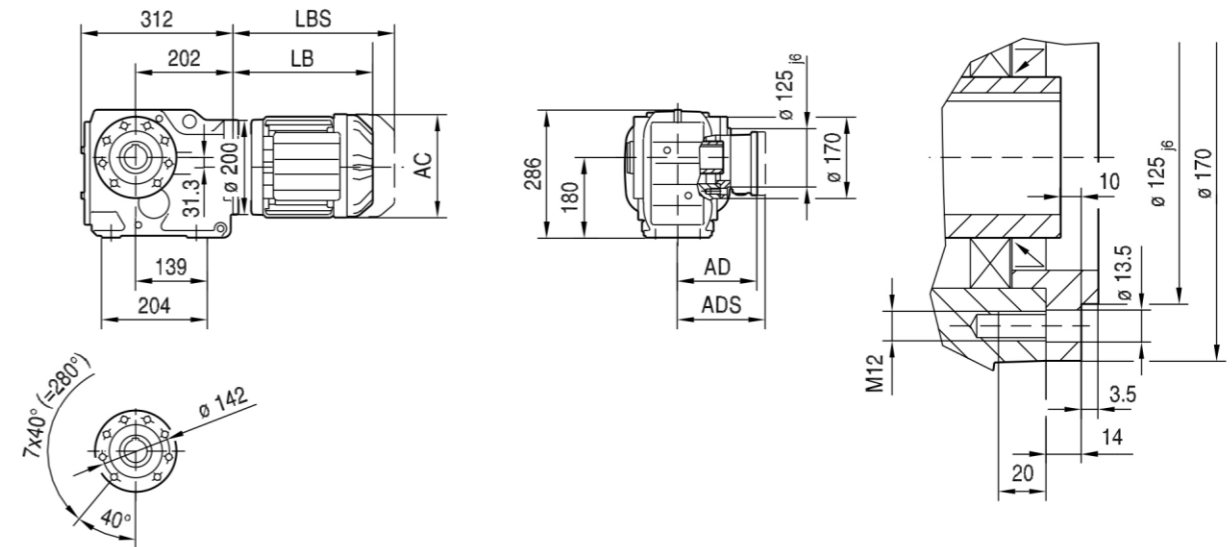
注: 1. LB、LBS、AC、AD、ADS尺寸详见附录A;
Note: 1. See appendix A for the size of LB&LBS&AC&AD&ADS;
2. 电机需方配或配特殊电机时需加联接法兰。(见附录B)
2. When equipping the user's motor or the special one, the flange is required to connected. (Please see appendix B)

注: 1. LB、LBS、AC、AD、ADS尺寸详见附录A;
Note: 1. See appendix A for the size of LB&LBS&AC&AD&ADS;
2. 电机需方配或配特殊电机时需加联接法兰。(见附录B)
2. When equipping the user's motor or the special one, the flange is required to connected. (Please see appendix B)

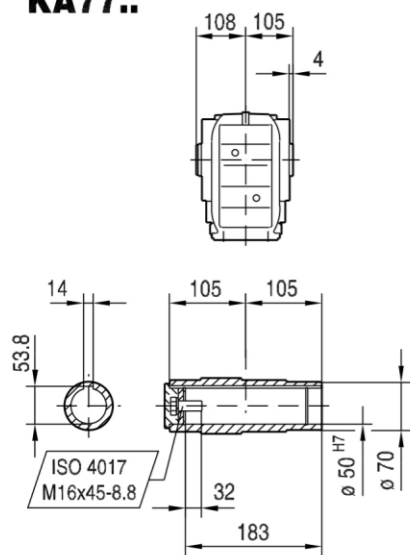
KA77..



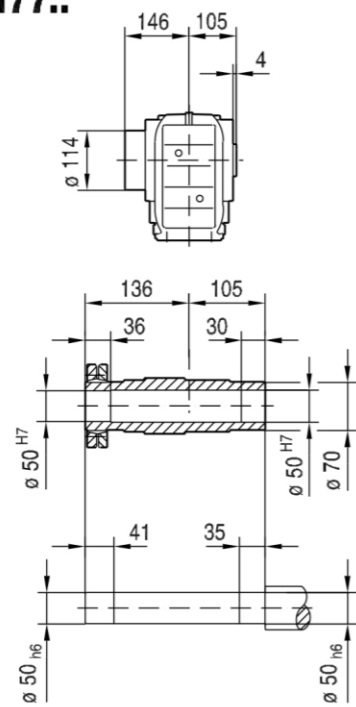
KAZ77..



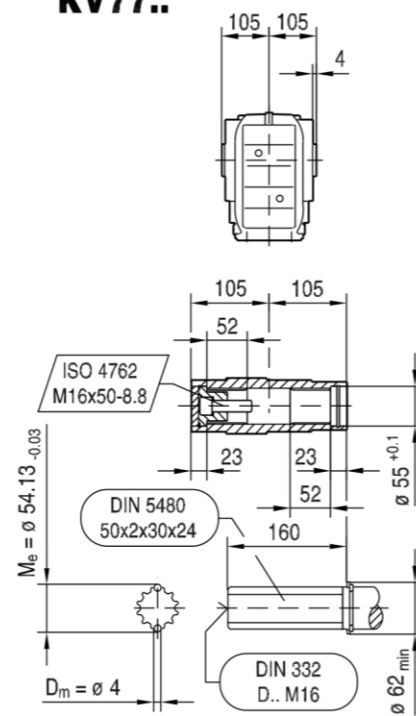
KA77..



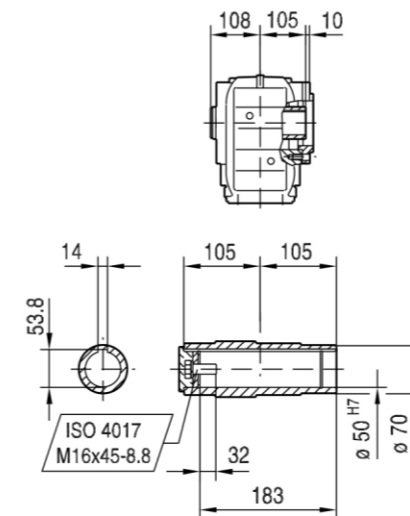
KH77..



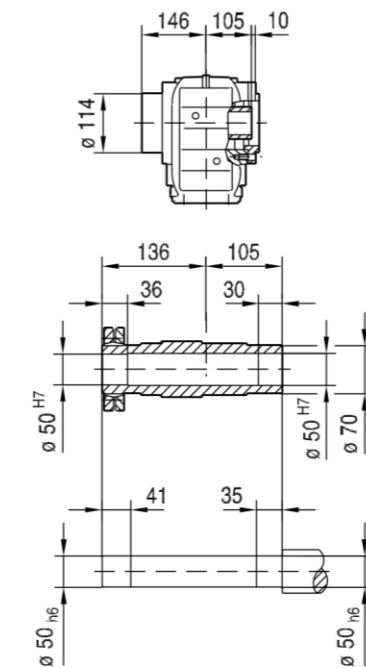
KV77..



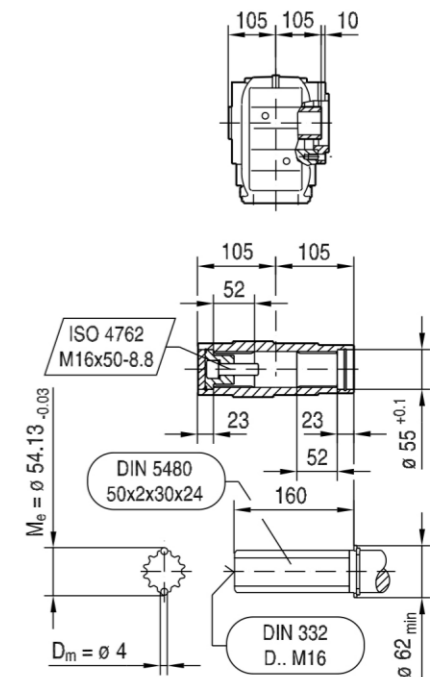
KAZ77..



KHZ77..



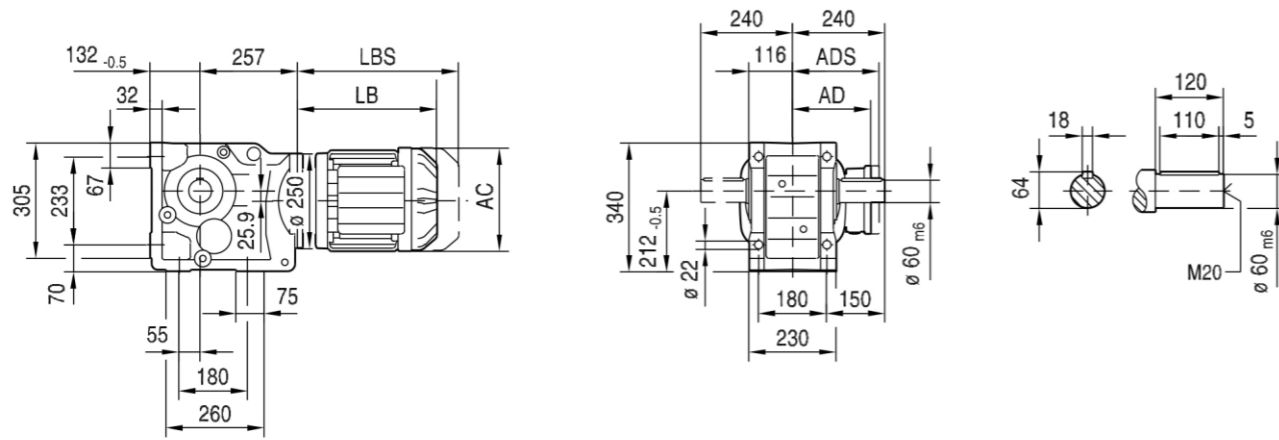
KVZ77..



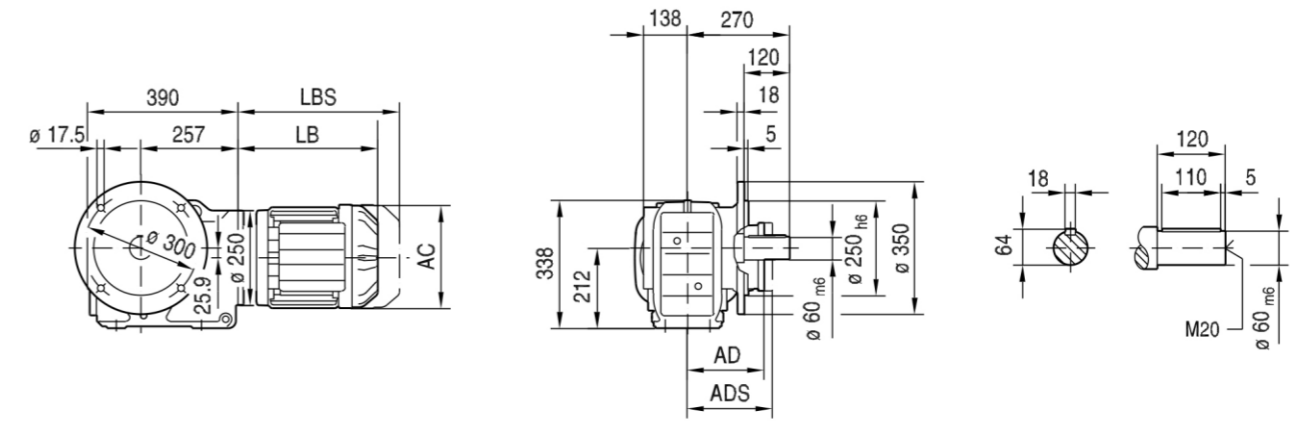
注: 1. LB、LBS、AC、AD、ADS尺寸详见附录A;
Note: 1. See appendix A for the size of LB&LBS&AC&AD&ADS;
2. 电机需方配或配特殊电机时需加联接法兰。(见附录B)
2. When equipping the user's motor or the special one, the flange is required to connected. (Please see appendix B)

注: 1. LB、LBS、AC、AD、ADS尺寸详见附录A;
Note: 1. See appendix A for the size of LB&LBS&AC&AD&ADS;
2. 电机需方配或配特殊电机时需加联接法兰。(见附录B)
2. When equipping the user's motor or the special one, the flange is required to connected. (Please see appendix B)

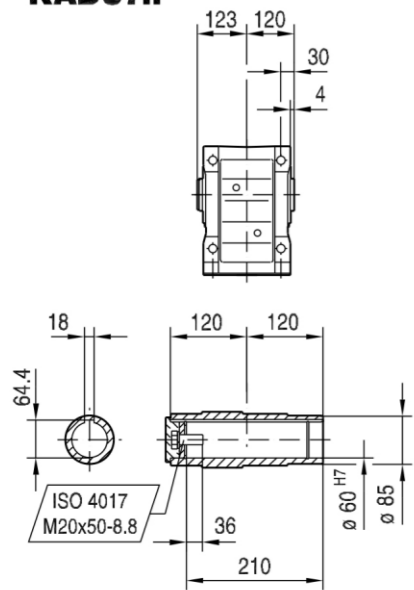
K87..



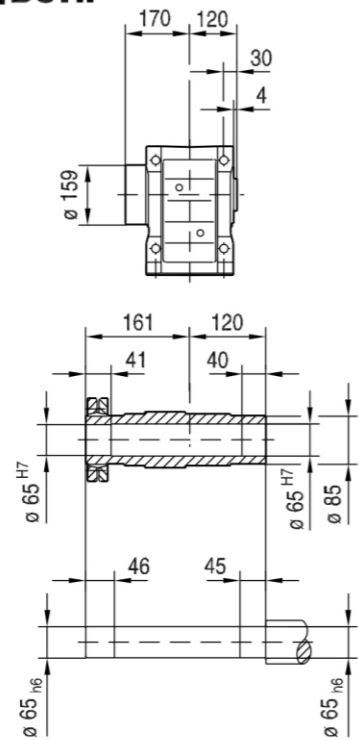
KF87..



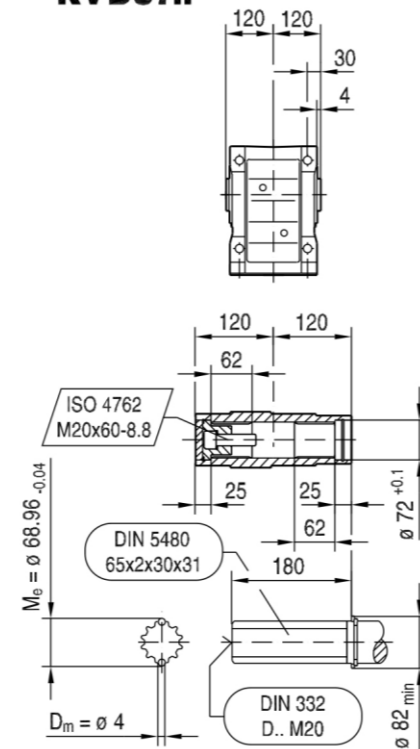
KAB87..



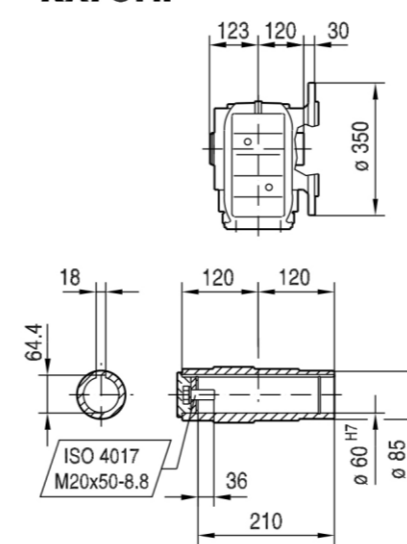
KHB87..



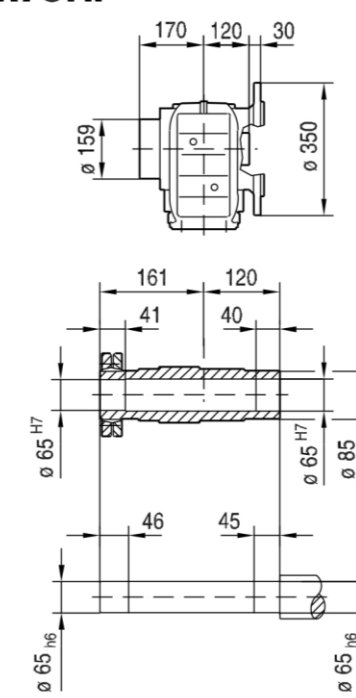
KVB87..



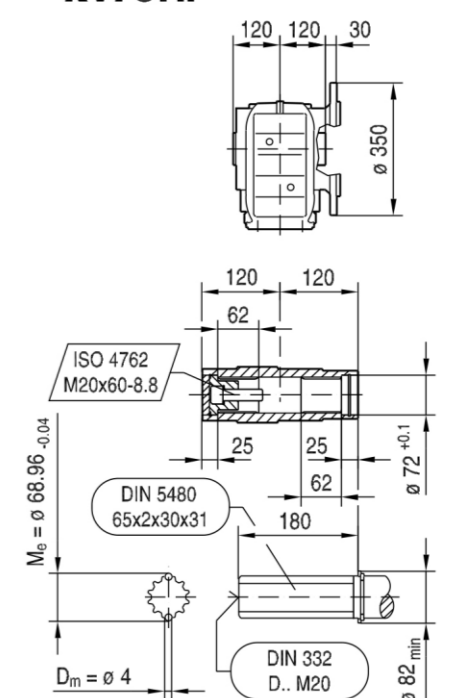
KAF87..



KHF87..



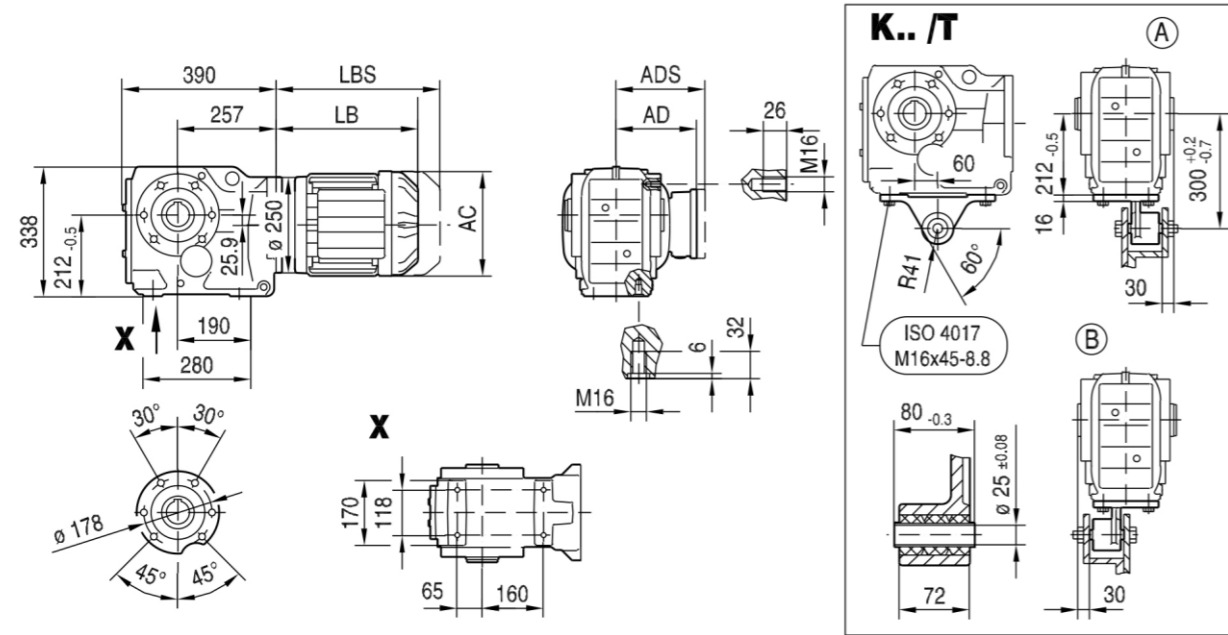
KVF87..



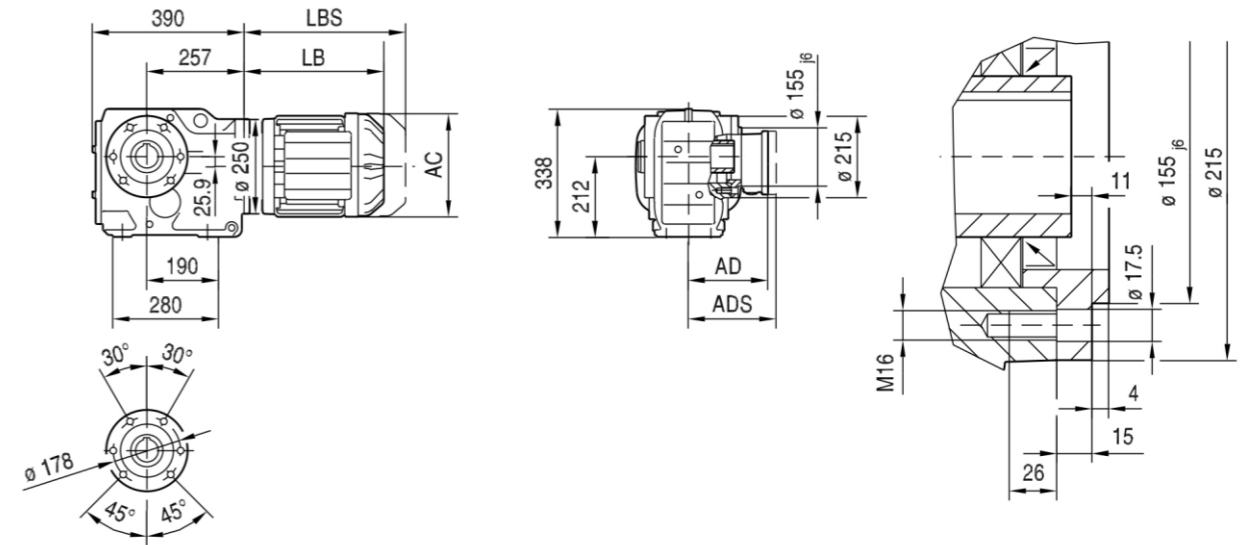
注: 1. LB、LBS、AC、AD、ADS尺寸详见附录A;
Note: 1. See appendix A for the size of LB&LBS&AC&AD&ADS;
2. 电机需方配或配特殊电机时需加联接法兰。(见附录B)
2. When equipping the user's motor or the special one, the flange is required to connected. (Please see appendix B)

注: 1. LB、LBS、AC、AD、ADS尺寸详见附录A;
Note: 1. See appendix A for the size of LB&LBS&AC&AD&ADS;
2. 电机需方配或配特殊电机时需加联接法兰。(见附录B)
2. When equipping the user's motor or the special one, the flange is required to connected. (Please see appendix B)

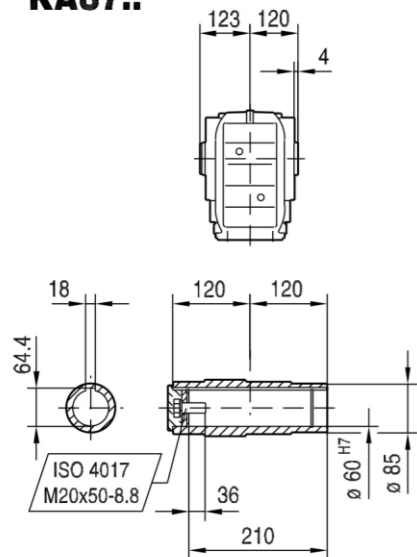
KA87..



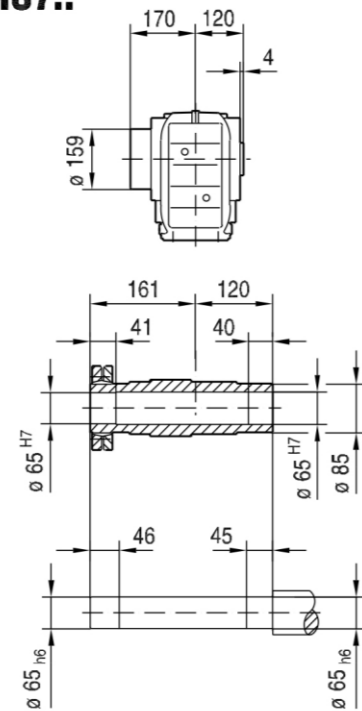
KAZ87..



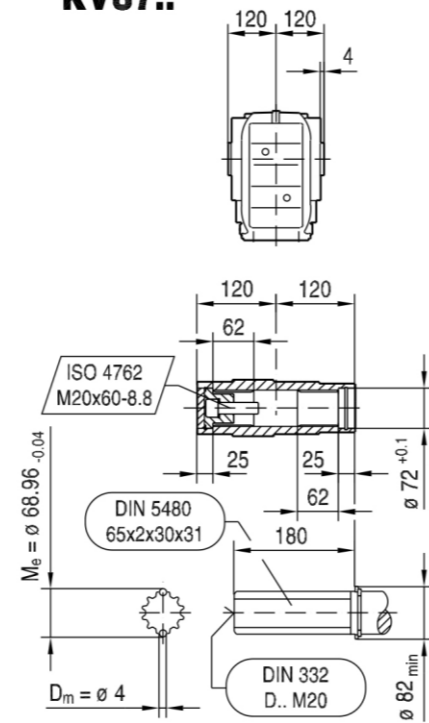
KA87..



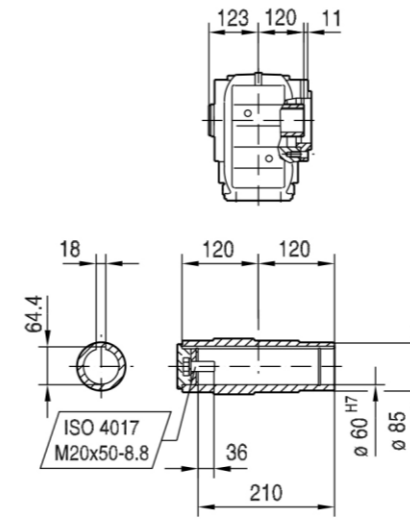
KH87..



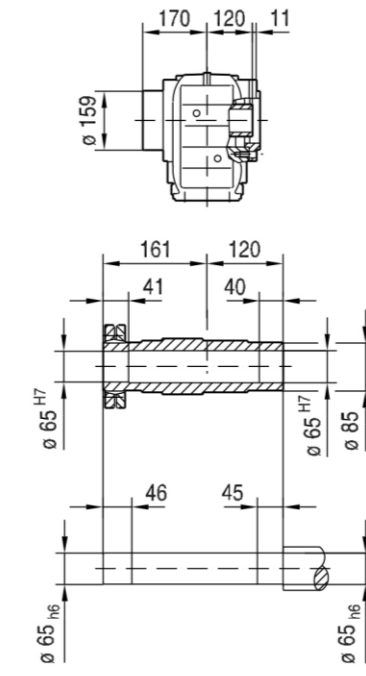
KV87..



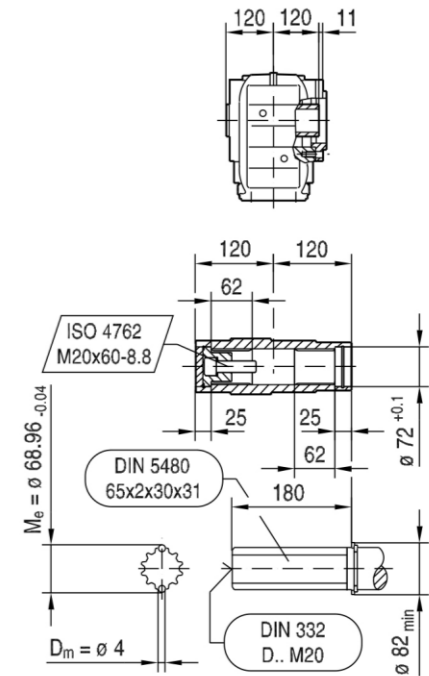
KAZ87..



KHZ87..



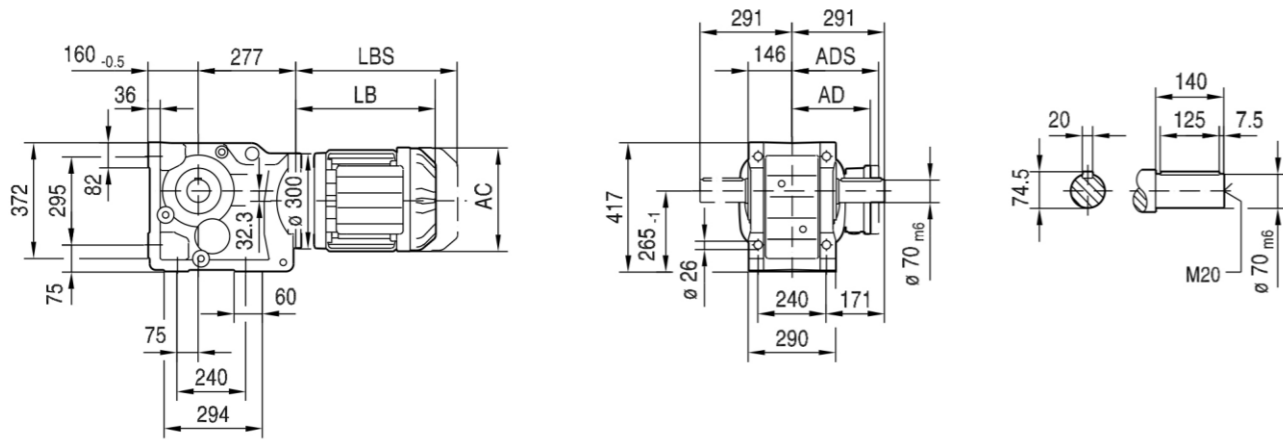
KVZ87..



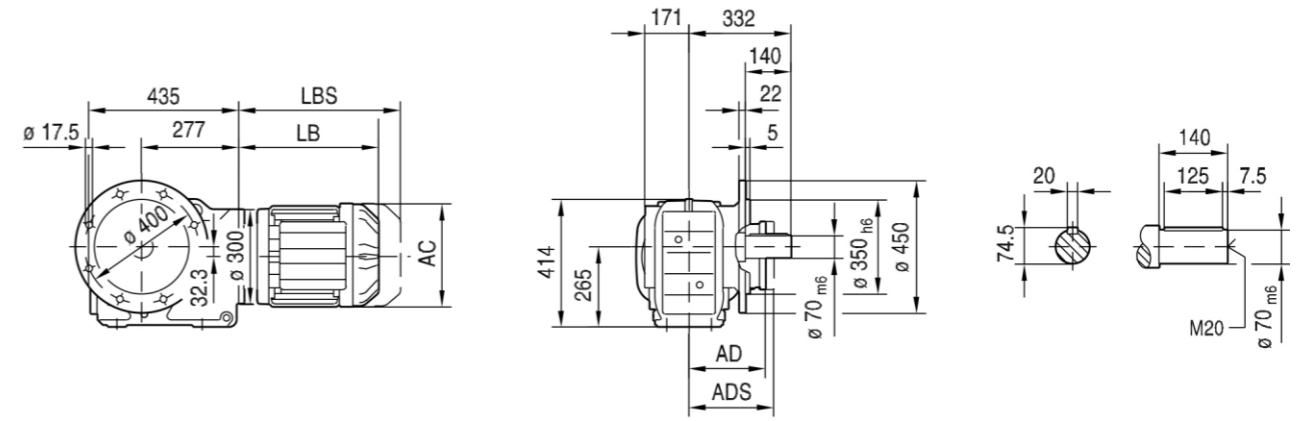
注: 1. LB、LBS、AC、AD、ADS尺寸详见附录A;
Note: 1. See appendix A for the size of LB&LBS&AC&AD&ADS;
2. 电机需方配或配特殊电机时需加联接法兰。(见附录B)
2. When equipping the user's motor or the special one, the flange is required to connected. (Please see appendix B)

注: 1. LB、LBS、AC、AD、ADS尺寸详见附录A;
Note: 1. See appendix A for the size of LB&LBS&AC&AD&ADS;
2. 电机需方配或配特殊电机时需加联接法兰。(见附录B)
2. When equipping the user's motor or the special one, the flange is required to connected. (Please see appendix B)

K97..



KF97..



KAB97..

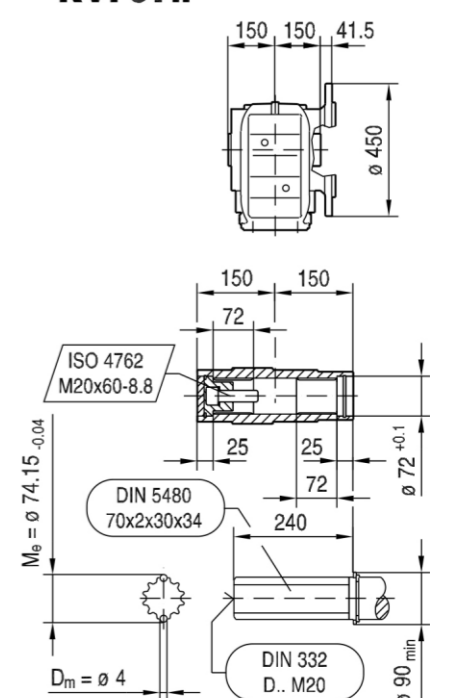
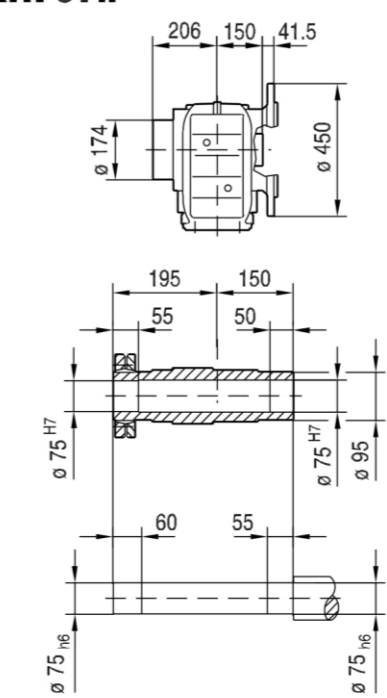
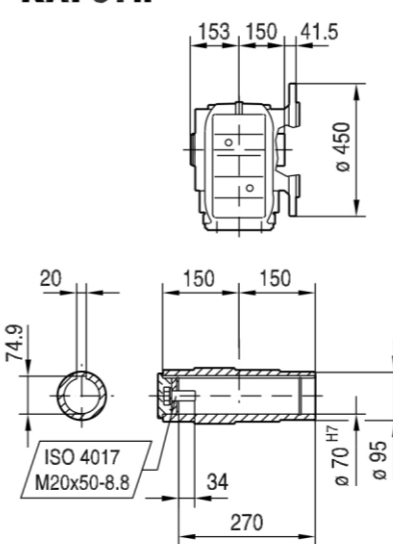
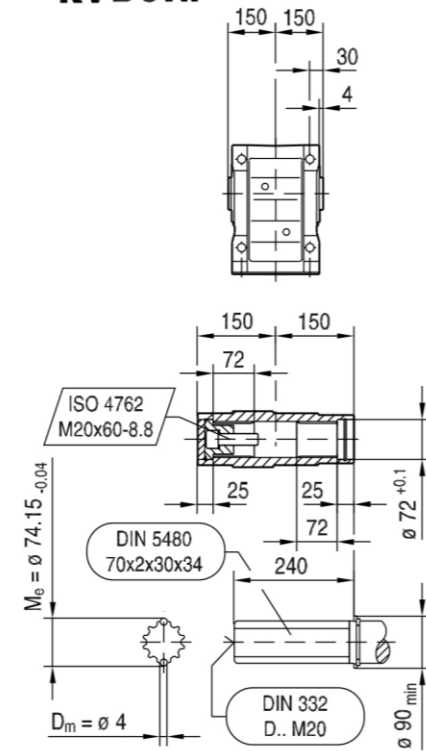
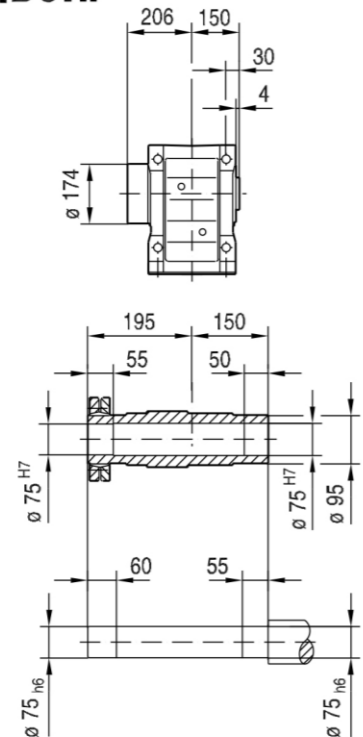
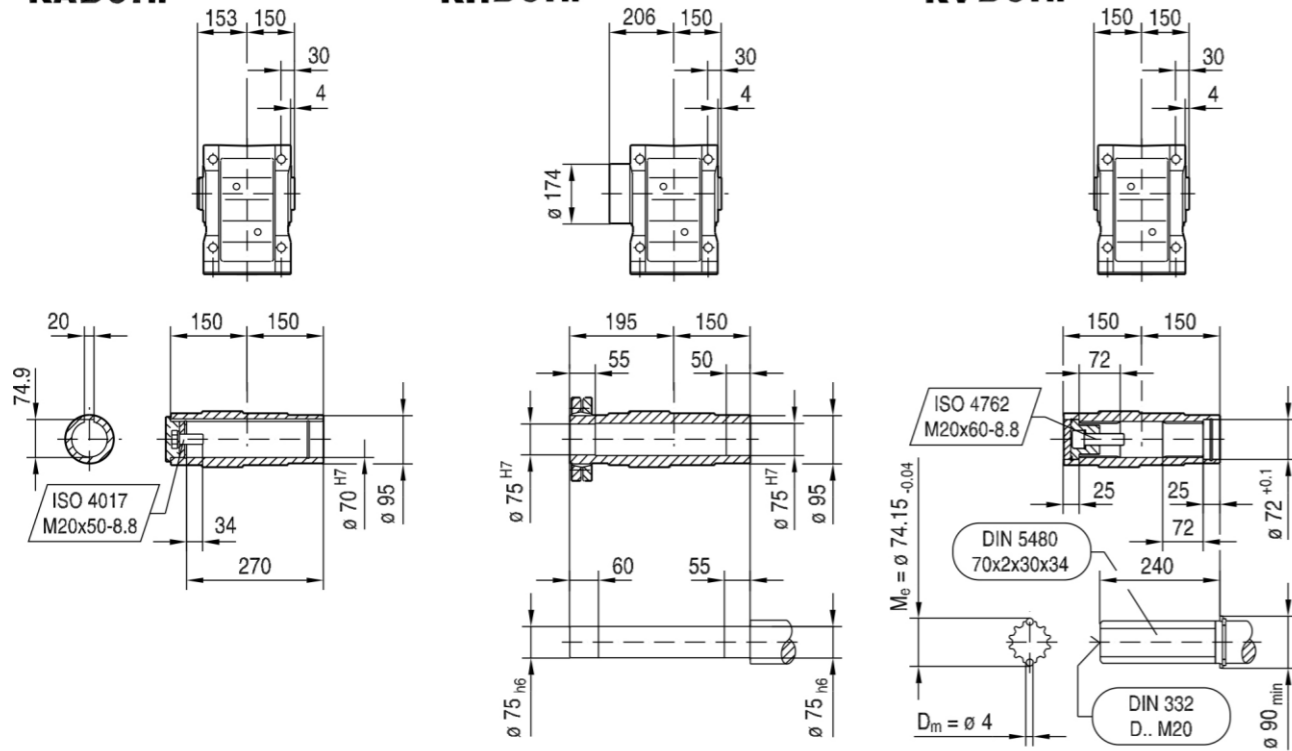
KHB97..

KVB97..

KAF97..

KHF97..

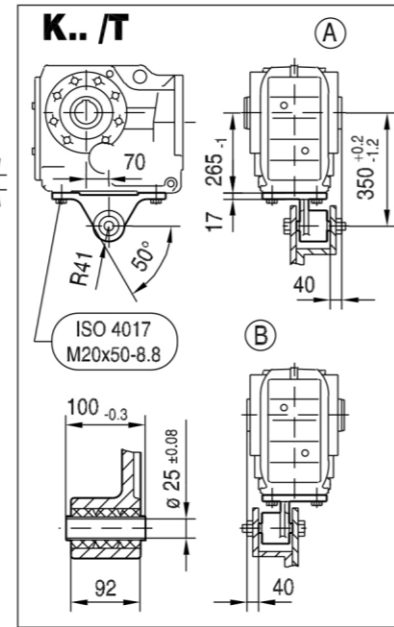
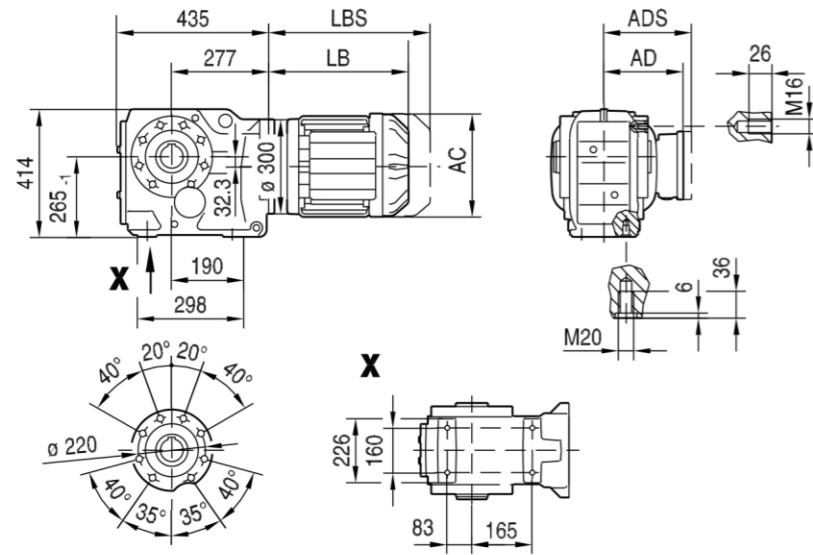
KVF97..



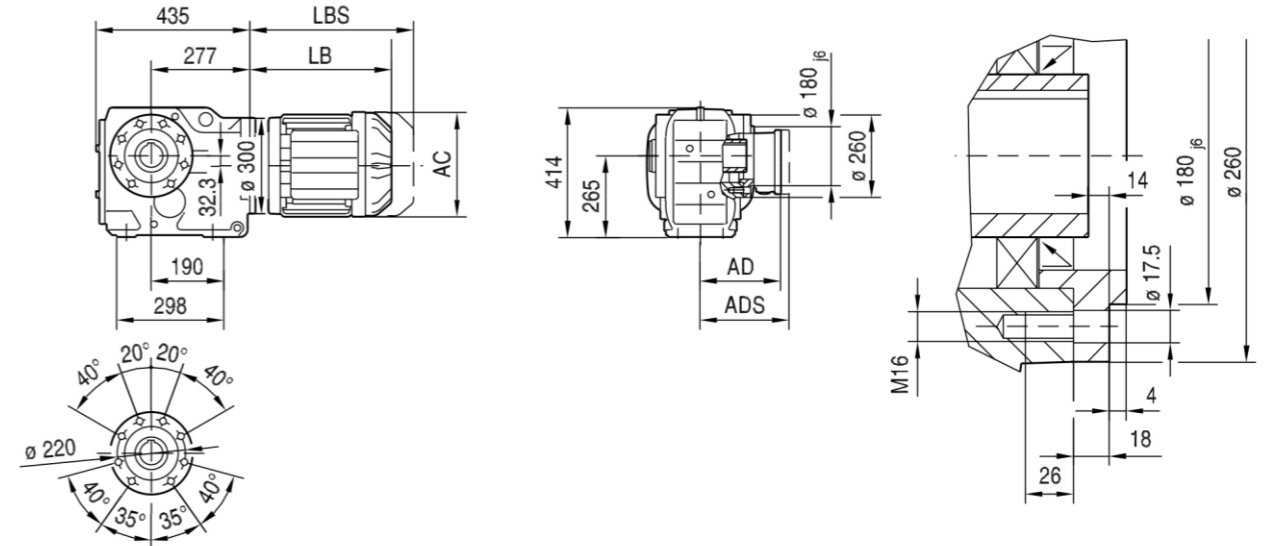
注： 1. LB、LBS、AC、AD、ADS尺寸详见附录A；
Note: 1. See appendix A for the size of LB&LBS&AC&AD&ADS;
2. 电机需方配或配特殊电机时需加联接法兰。(见附录B)
2. When equipping the user's motor or the special one, the flange is required to be connected. (Please see appendix B)

注： 1. LB、LBS、AC、AD、ADS尺寸详见附录A；
Note: 1. See appendix A for the size of LB&LBS&AC&AD&ADS;
2. 电机需方配或配特殊电机时需加联接法兰。(见附录B)
2. When equipping the user's motor or the special one, the flange is required to be connected. (Please see appendix B)

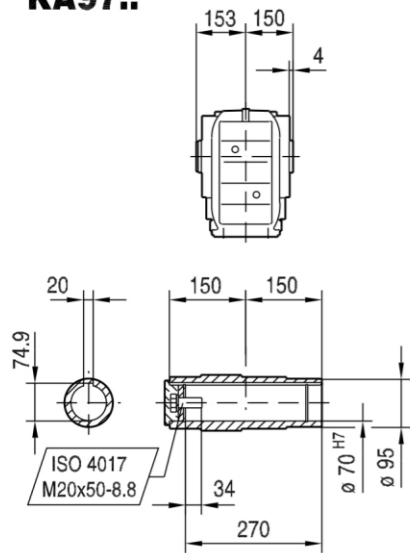
KA97..



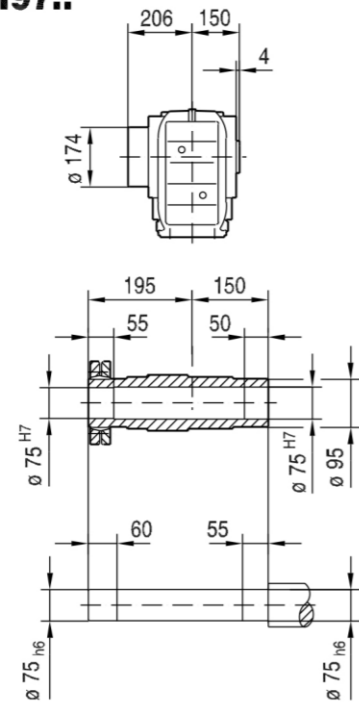
KAZ97..



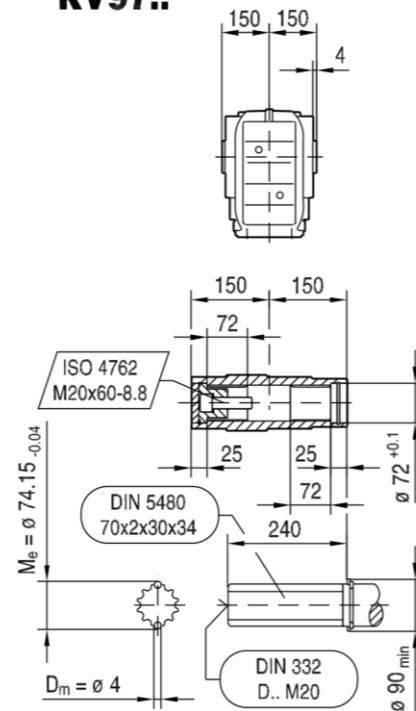
KA97..



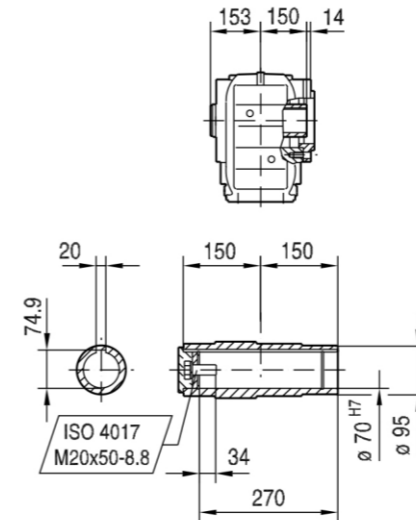
KH97..



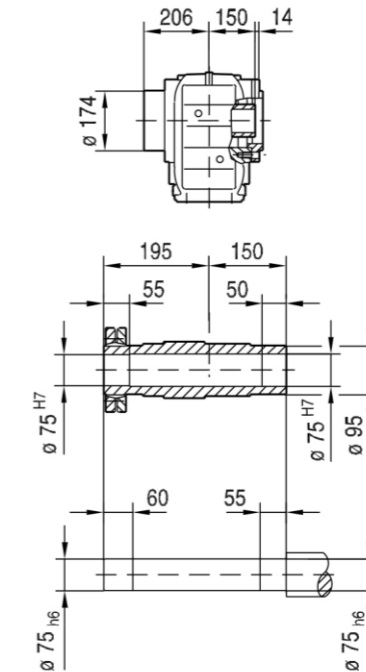
KV97..



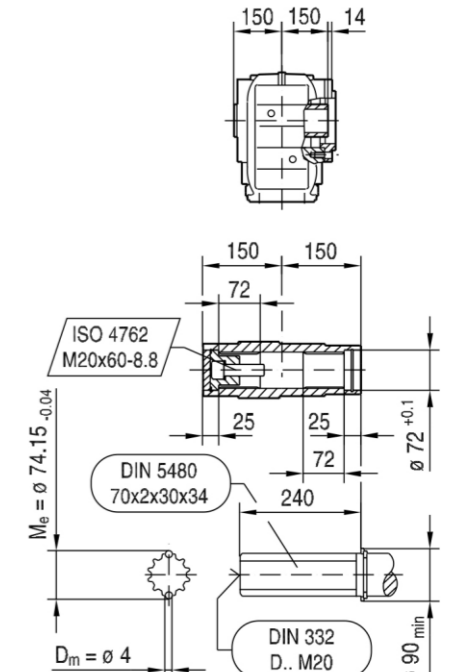
KAZ97..



KHZ97..



KVZ97..

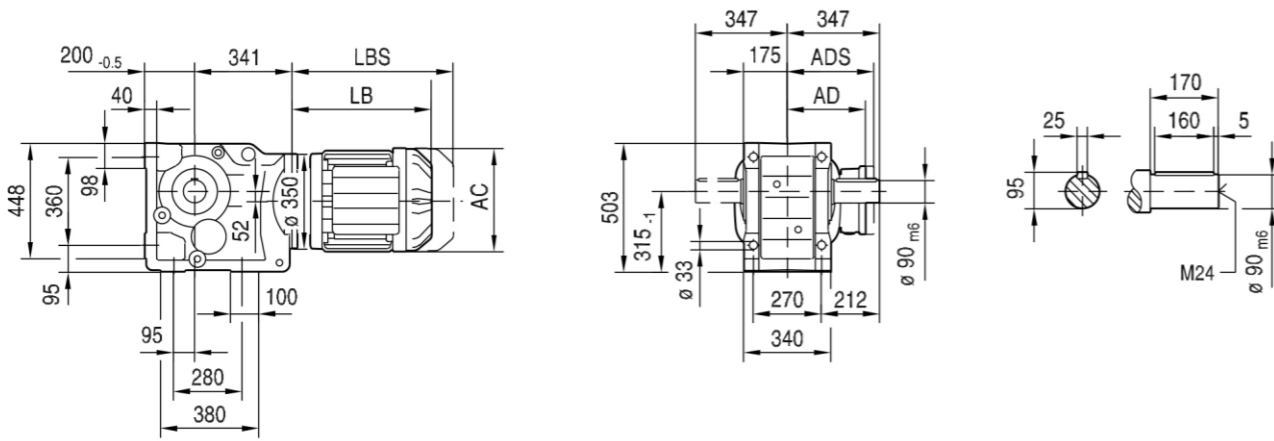


注： 1. LB、LBS、AC、AD、ADS尺寸详见附录A；
Note: 1. See appendix A for the size of LB&LBS&AC&AD&ADS;
2. 电机需方配或配特殊电机时需加联接法兰。(见附录B)
2. When equipping the user's motor or the special one, the flange is required to connected. (Please see appendix B)

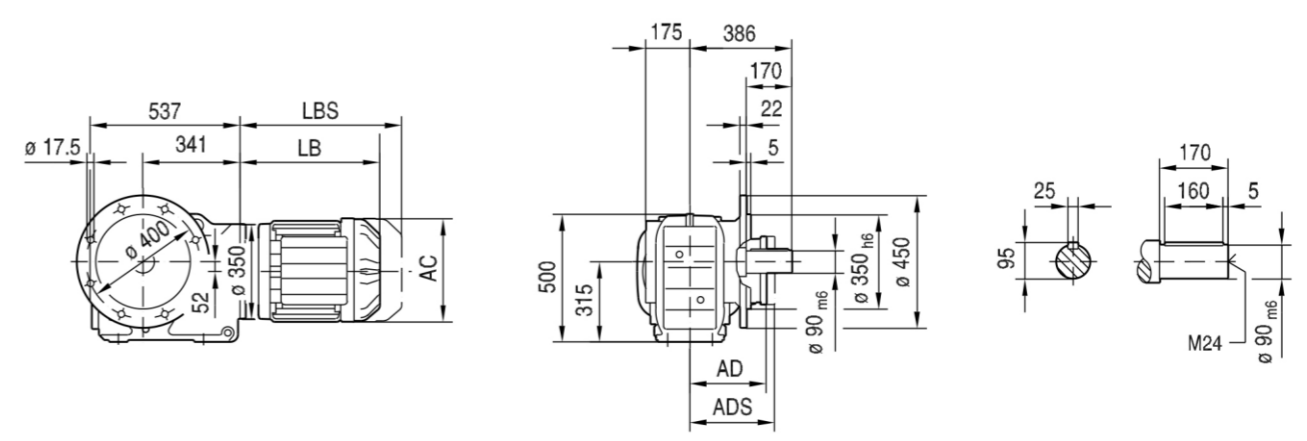
注： 1. LB、LBS、AC、AD、ADS尺寸详见附录A；
Note: 1. See appendix A for the size of LB&LBS&AC&AD&ADS;
2. 电机需方配或配特殊电机时需加联接法兰。(见附录B)
2. When equipping the user's motor or the special one, the flange is required to connected. (Please see appendix B)



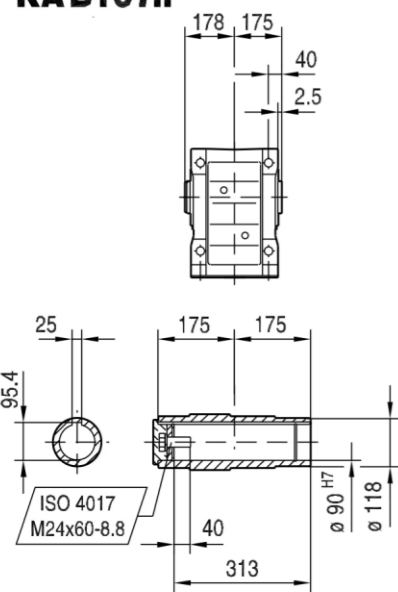
K107..



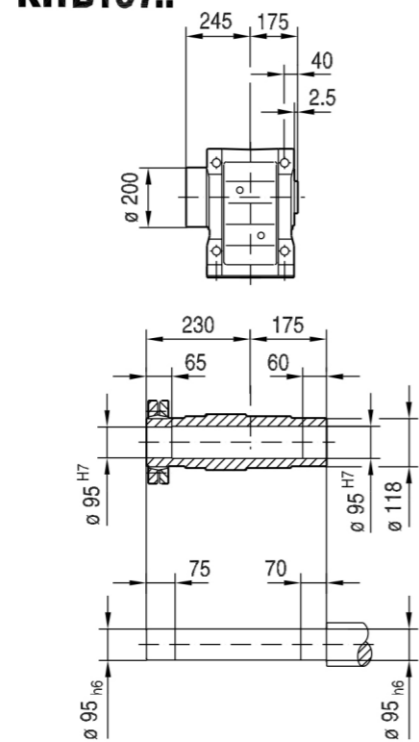
KF107..



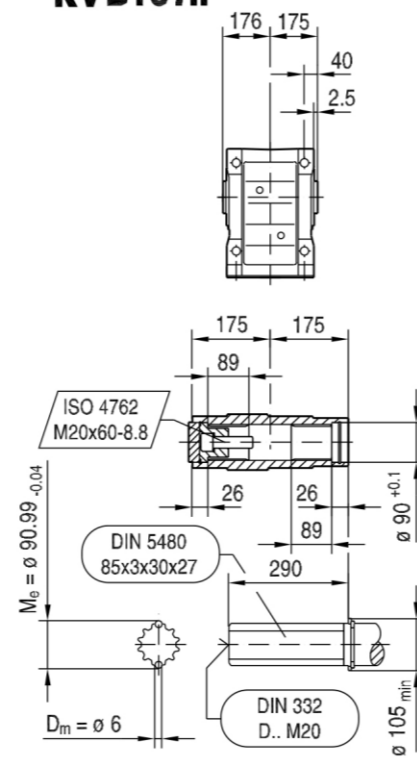
KAB107..



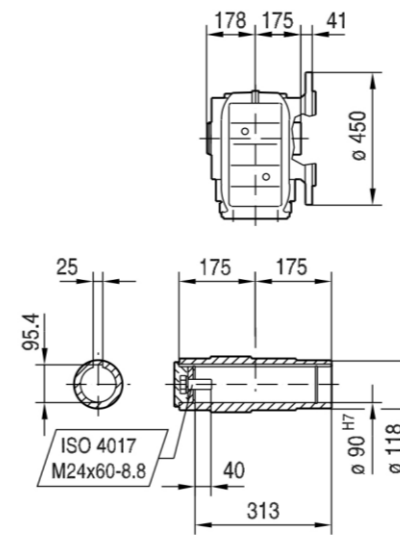
KHB107..



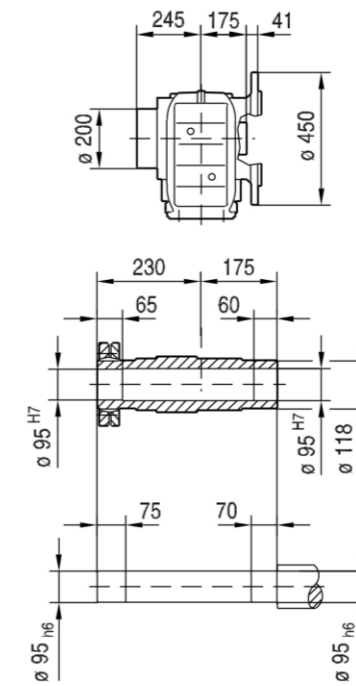
KVB107..



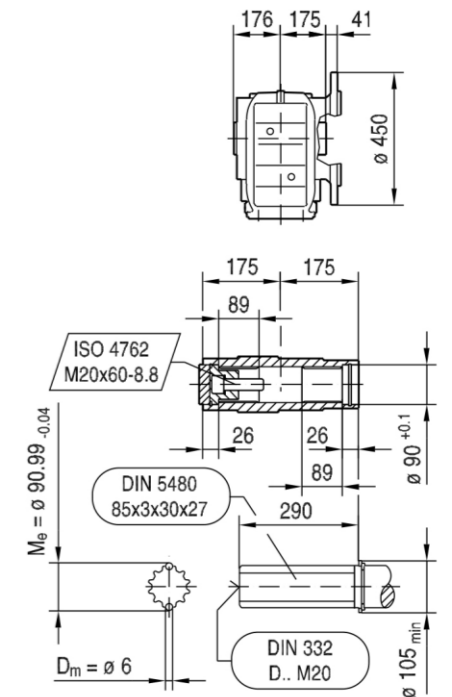
KAF107..



KHF107..



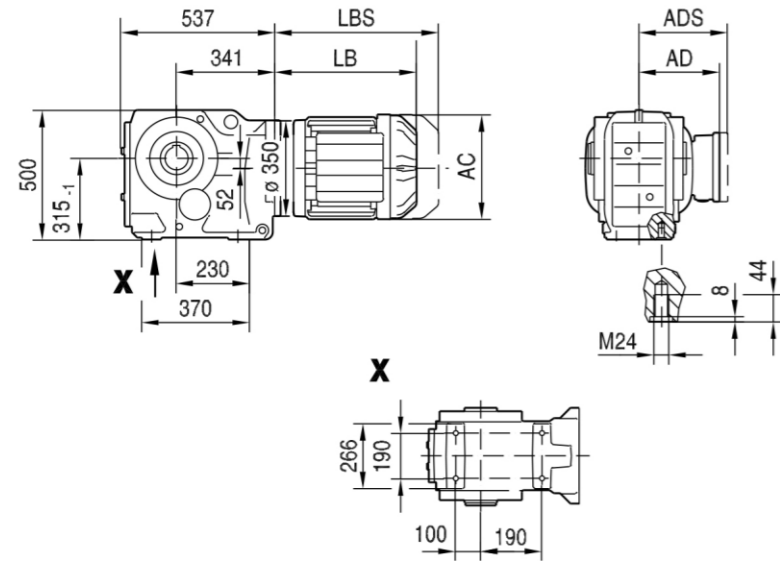
KVF107..



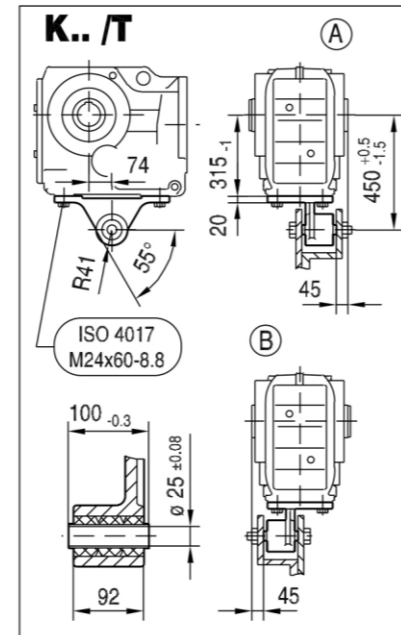
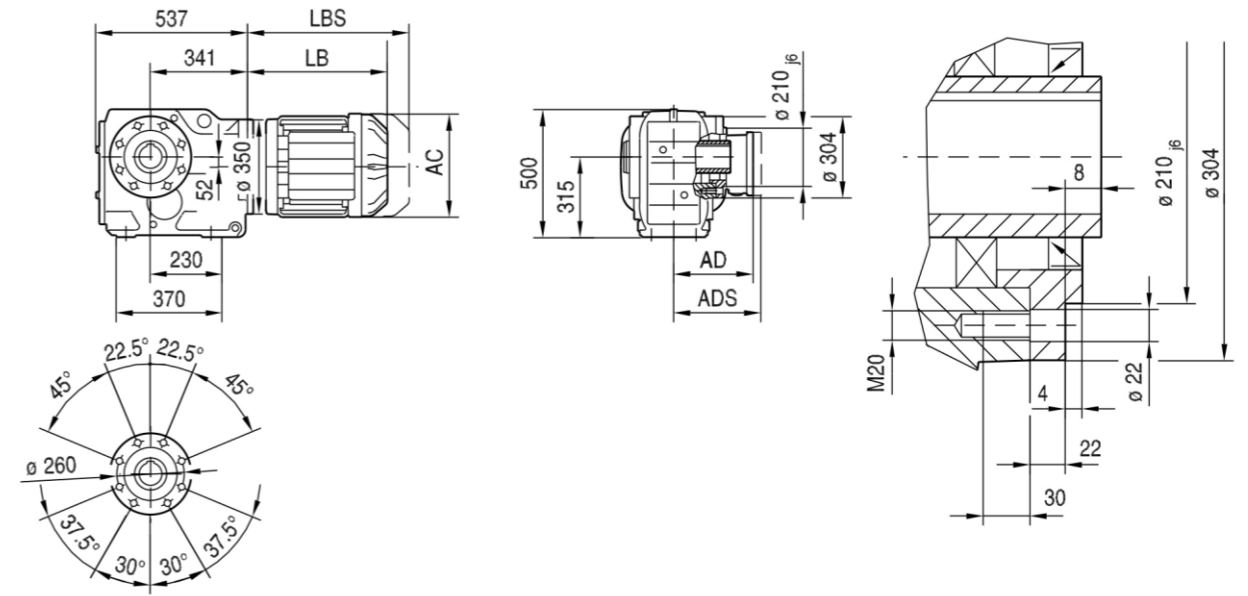
注: 1. LB、LBS、AC、AD、ADS尺寸详见附录A;
Note: 1. See appendix A for the size of LB&LBS&AC&AD&ADS;
2. 电机需方配或配特殊电机时需加联接法兰。(见附录B)
2. When equipping the user's motor or the special one, the flange is required to connected. (Please see appendix B)

注: 1. LB、LBS、AC、AD、ADS尺寸详见附录A;
Note: 1. See appendix A for the size of LB&LBS&AC&AD&ADS;
2. 电机需方配或配特殊电机时需加联接法兰。(见附录B)
2. When equipping the user's motor or the special one, the flange is required to connected. (Please see appendix B)

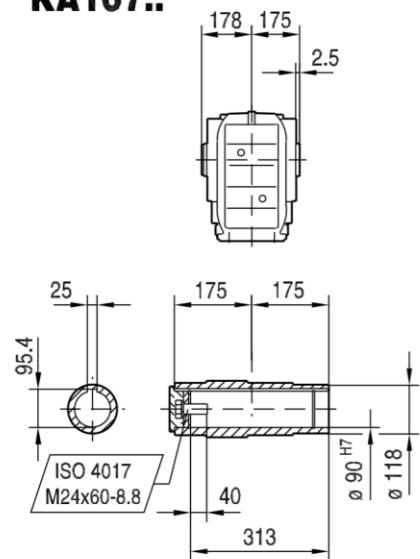
KA107..



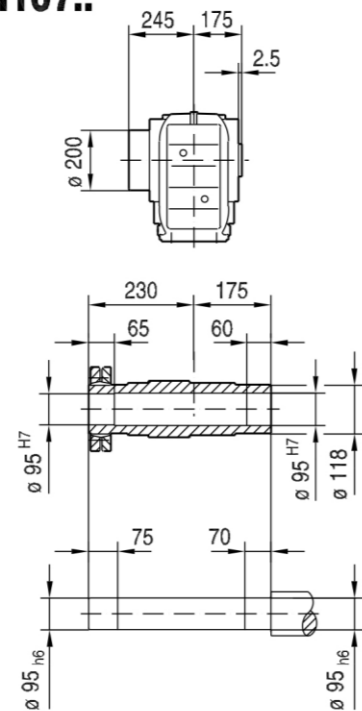
KAZ107..



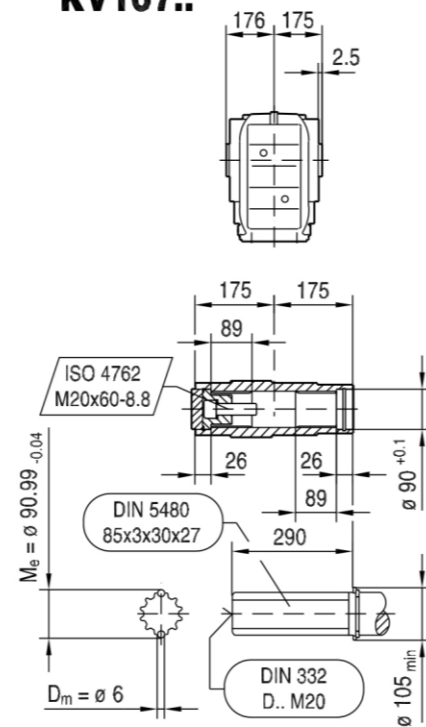
KA107..



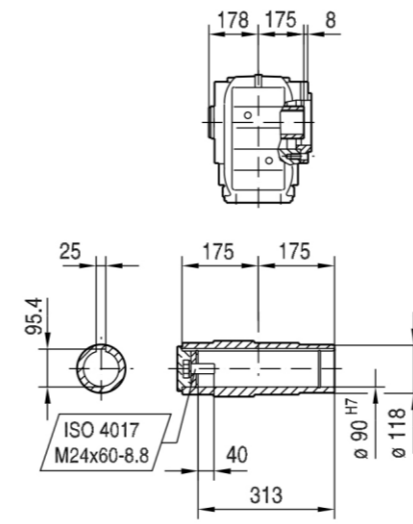
KH107..



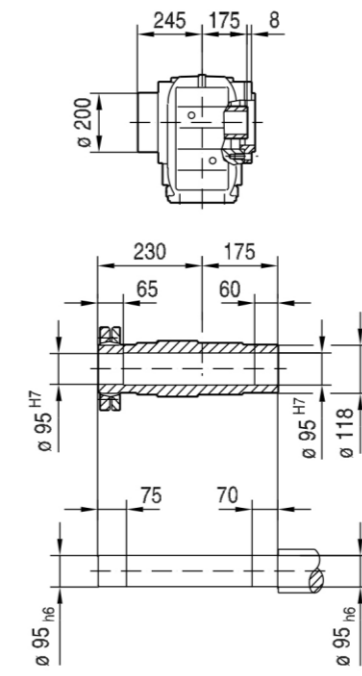
KV107..



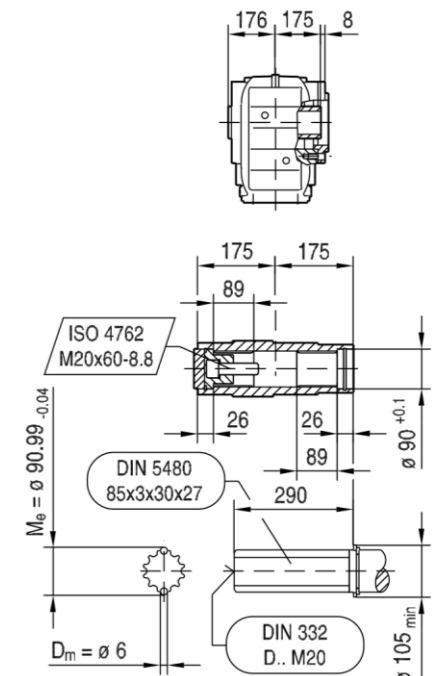
KAZ107..



KHZ107..



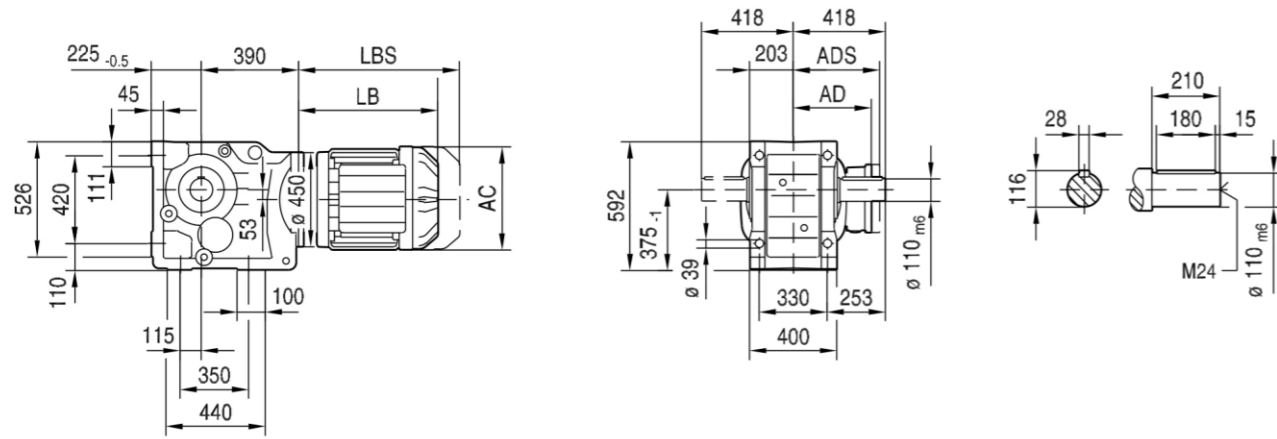
KVZ107..



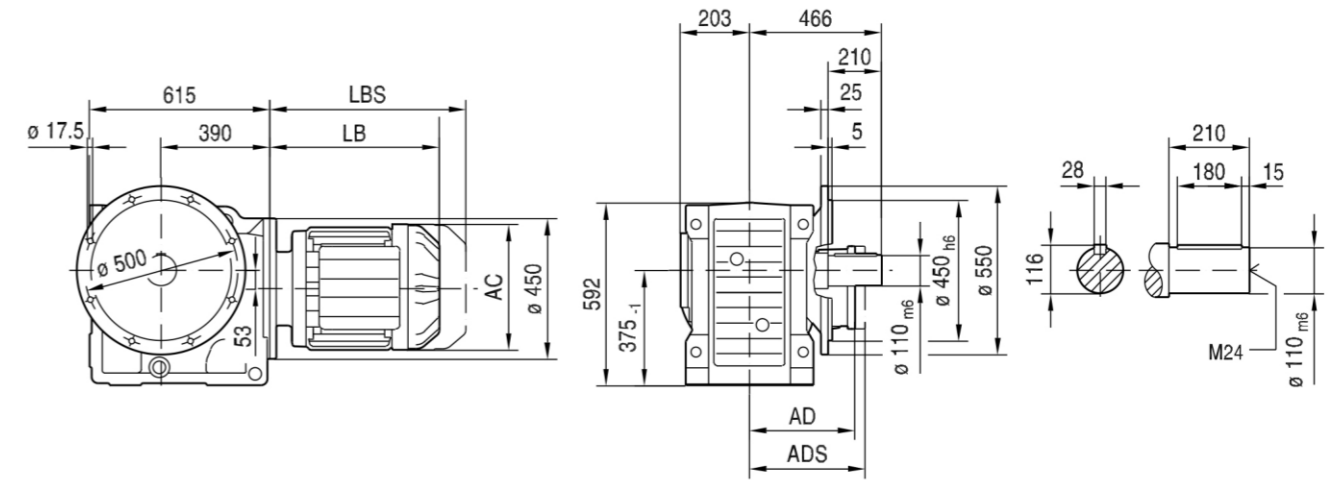
注: 1. LB、LBS、AC、AD、ADS尺寸详见附录A;
Note: 1. See appendix A for the size of LB&LBS&AC&AD&ADS;
2. 电机需方配或配特殊电机时需加联接法兰。(见附录B)
2. When equipping the user's motor or the special one, the flange is required to connected. (Please see appendix B)

注: 1. LB、LBS、AC、AD、ADS尺寸详见附录A;
Note: 1. See appendix A for the size of LB&LBS&AC&AD&ADS;
2. 电机需方配或配特殊电机时需加联接法兰。(见附录B)
2. When equipping the user's motor or the special one, the flange is required to connected. (Please see appendix B)

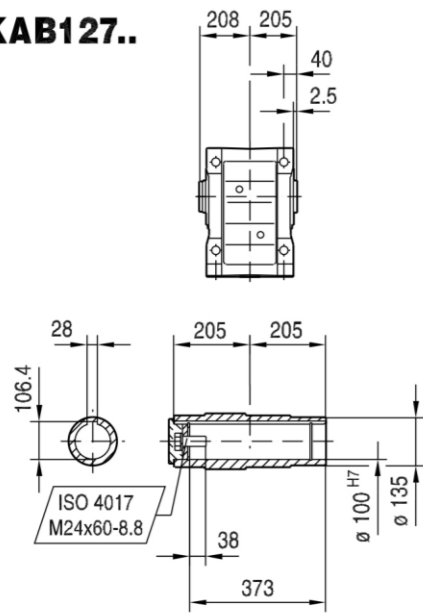
K127..



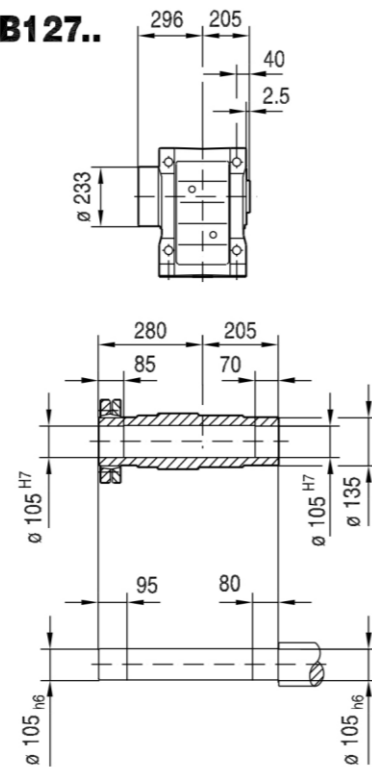
KF127..



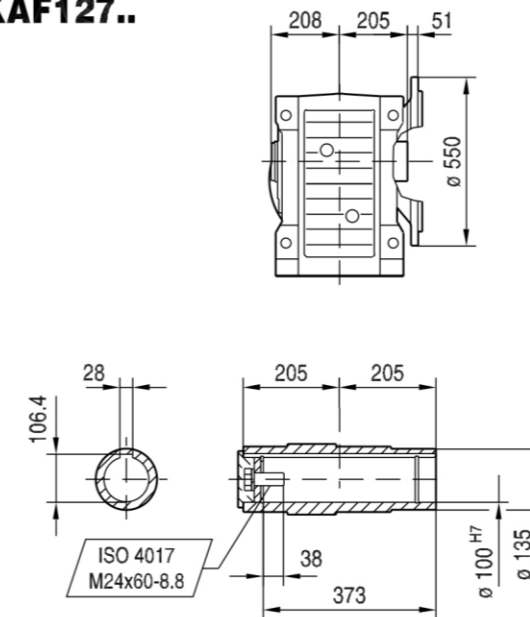
KAB127..



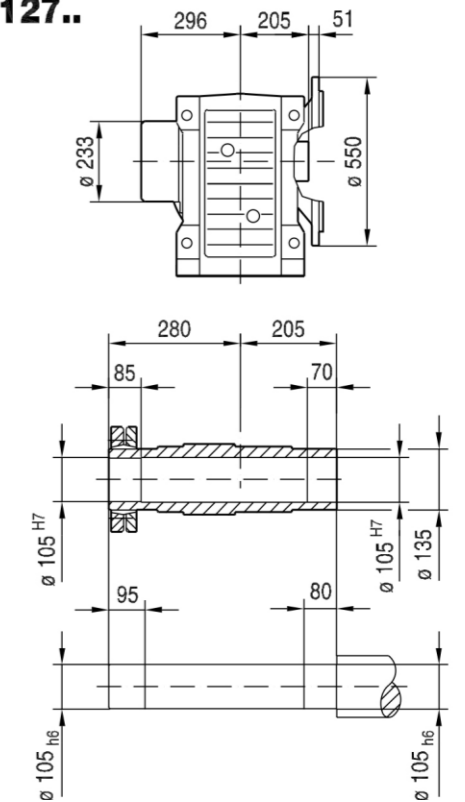
KHB127..



KAF127..



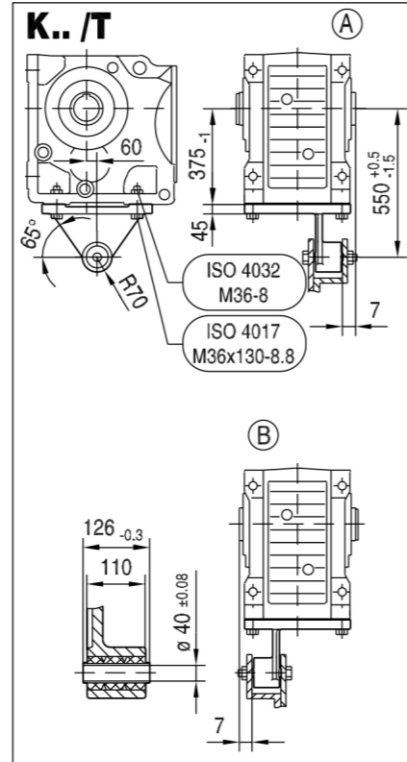
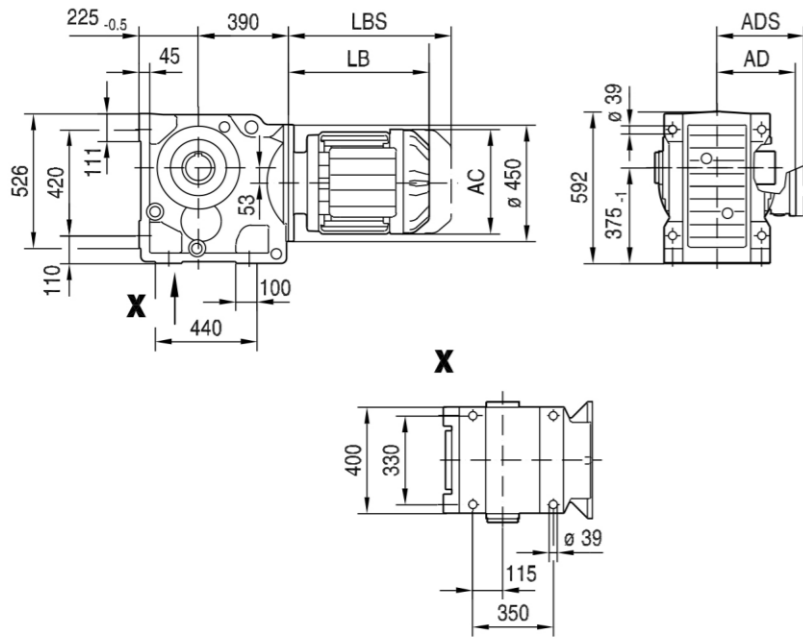
KHF127..



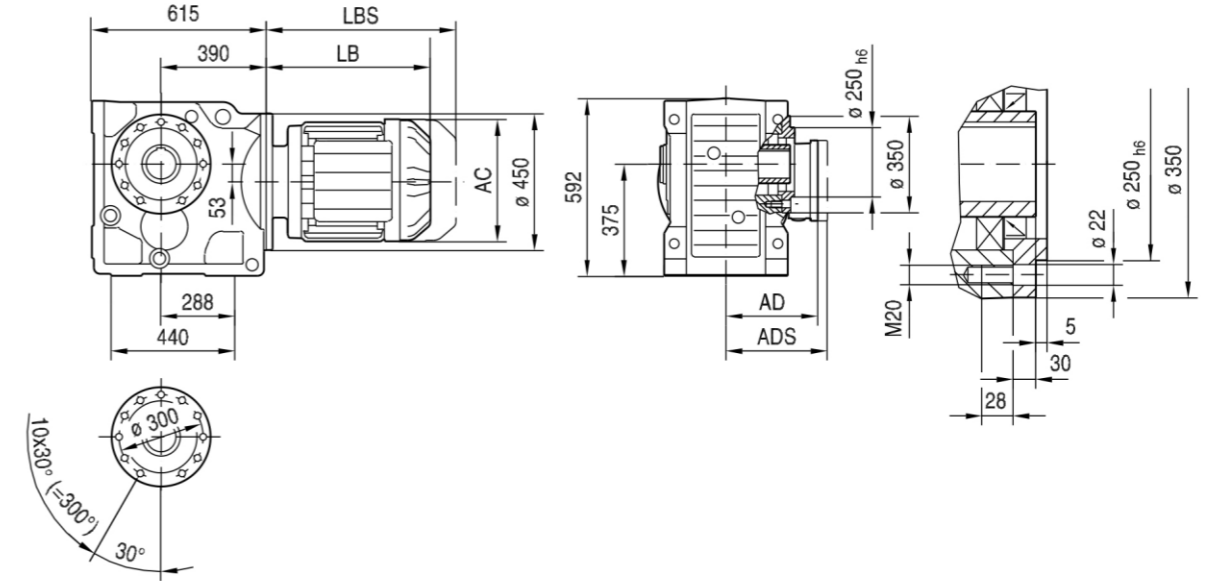
注: 1. LB、LBS、AC、AD、ADS尺寸详见附录A;
Note: 1. See appendix A for the size of LB&LBS&AC&AD&ADS;
2. 电机需方配或配特殊电机时需加联接法兰。(见附录B)
2. When equipping the user's motor or the special one, the flange is required to connected.(Please see appendix B)

注: 1. LB、LBS、AC、AD、ADS尺寸详见附录A;
Note: 1. See appendix A for the size of LB&LBS&AC&AD&ADS;
2. 电机需方配或配特殊电机时需加联接法兰。(见附录B)
2. When equipping the user's motor or the special one, the flange is required to connected.(Please see appendix B)

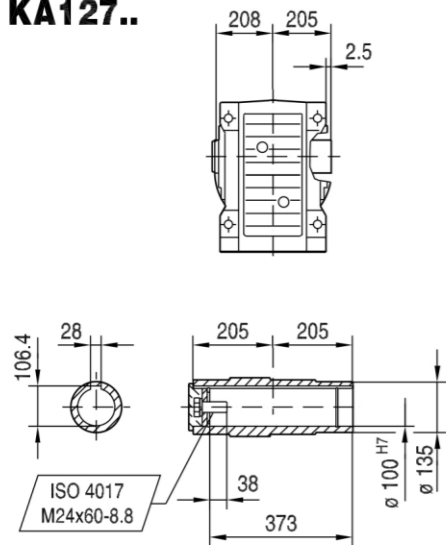
KA127..



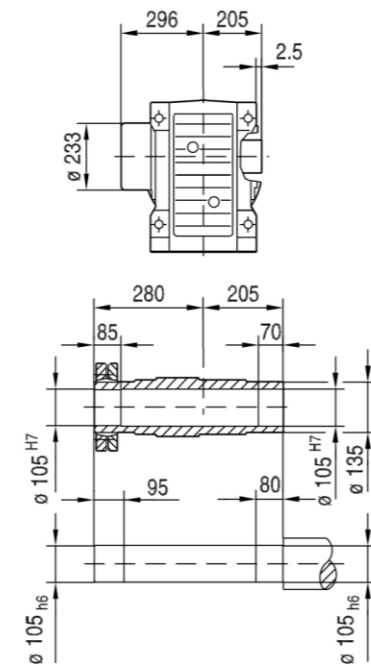
KAZ127..



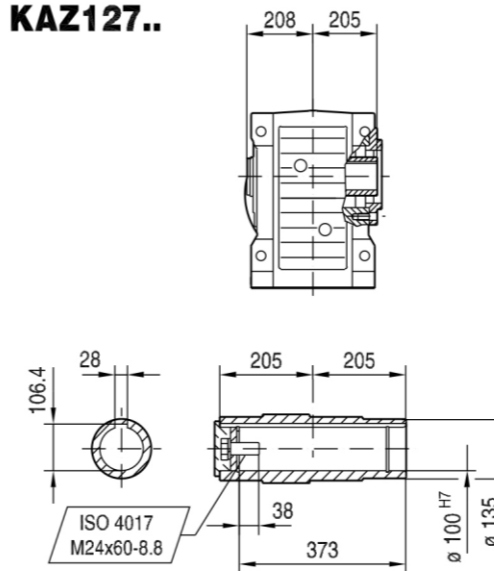
KA127..



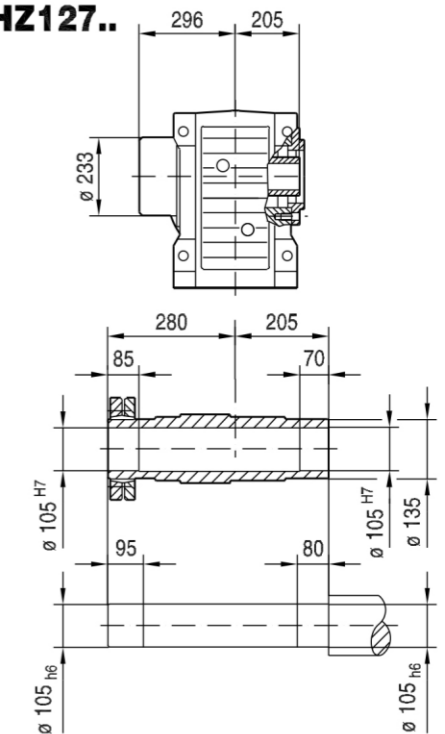
KH127..



KAZ127..



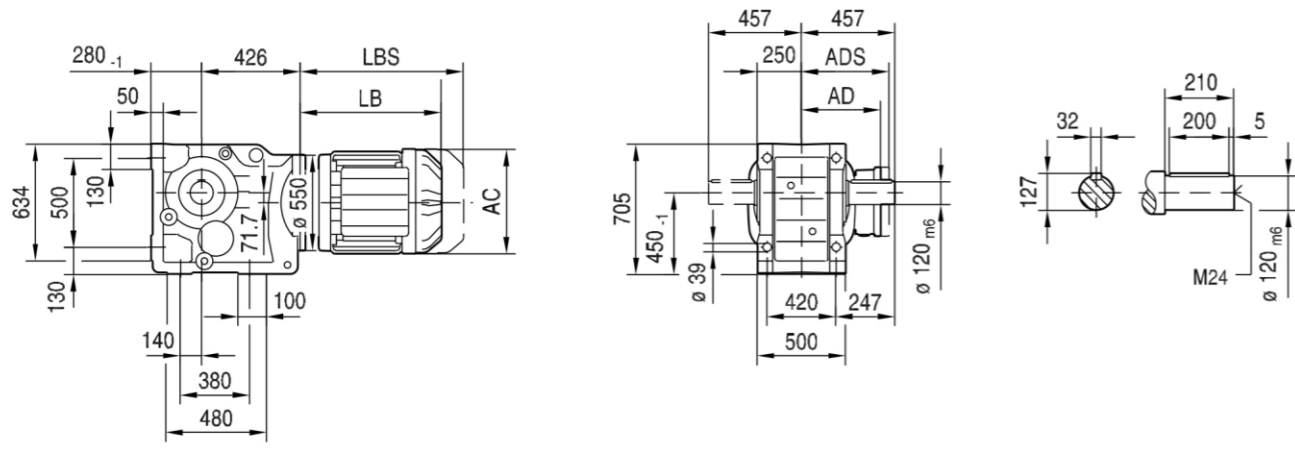
KHZ127..



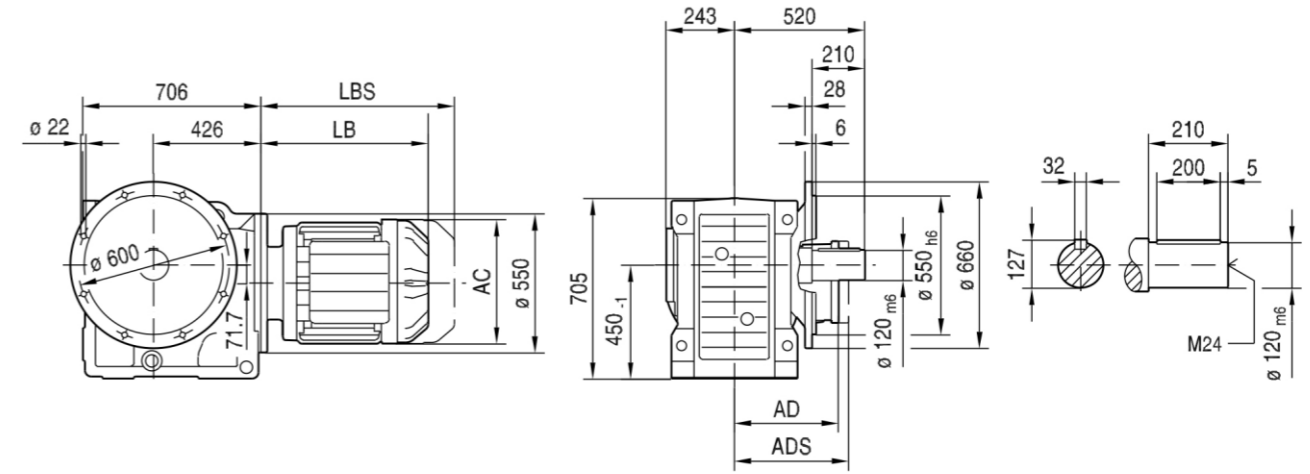
注： 1. LB、LBS、AC、AD、ADS尺寸详见附录A；
Note: 1. See appendix A for the size of LB&LBS&AC&AD&ADS;
2. 电机需方配或配特殊电机时需加联接法兰。(见附录B)
2. When equipping the user's motor or the special one, the flange is required to connected. (Please see appendix B)

注： 1. LB、LBS、AC、AD、ADS尺寸详见附录A；
Note: 1. See appendix A for the size of LB&LBS&AC&AD&ADS;
2. 电机需方配或配特殊电机时需加联接法兰。(见附录B)
2. When equipping the user's motor or the special one, the flange is required to connected. (Please see appendix B)

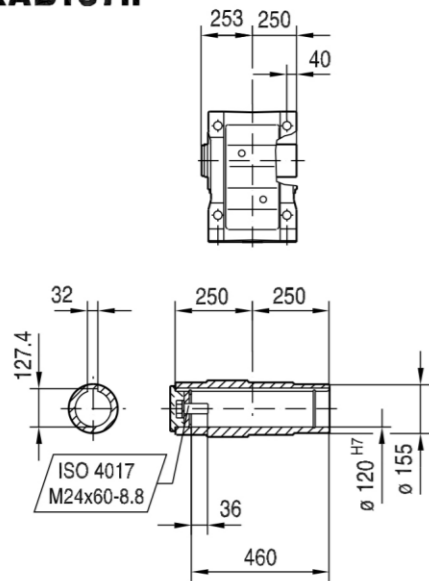
K157..



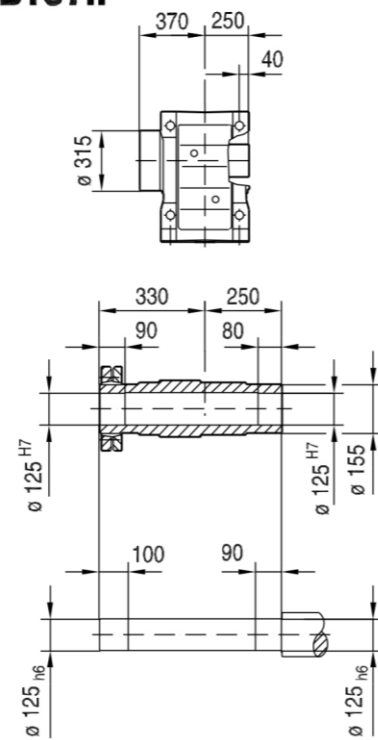
KF157..



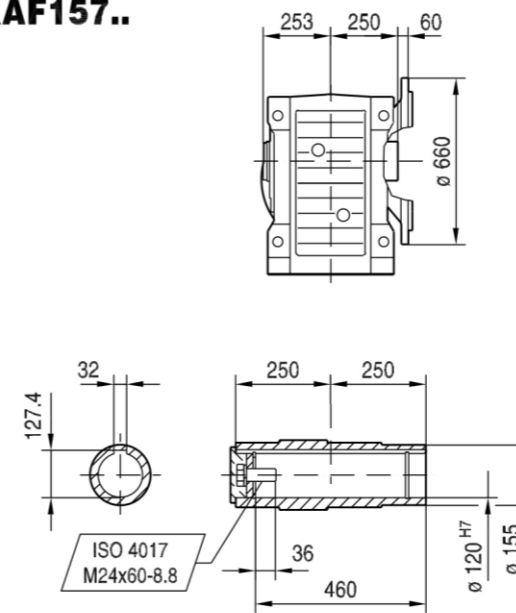
KAB157..



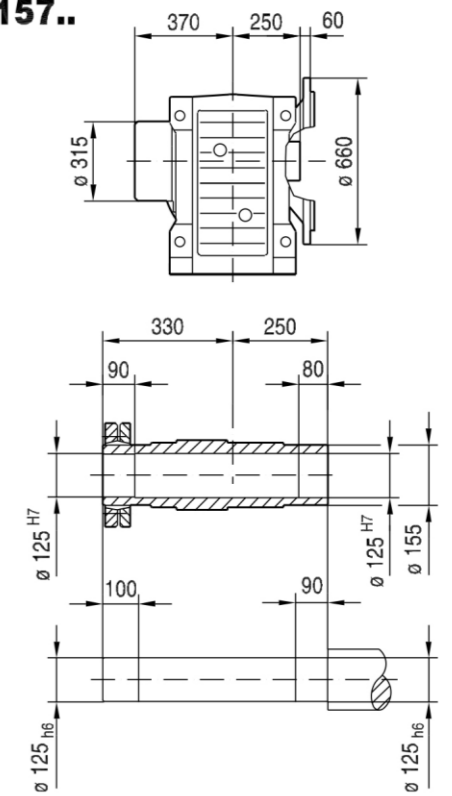
KHB157..



KAF157..



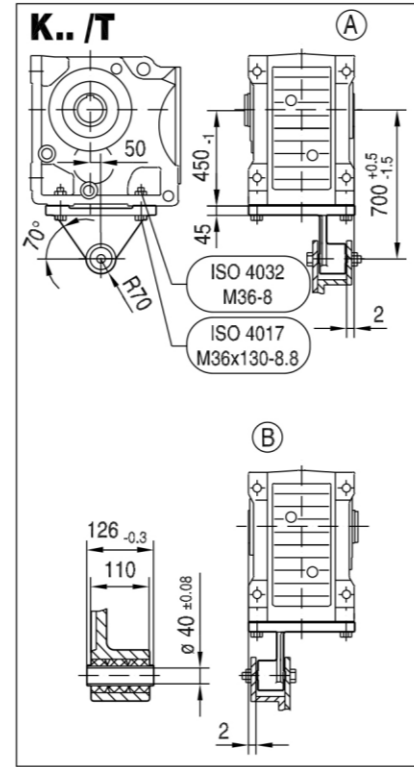
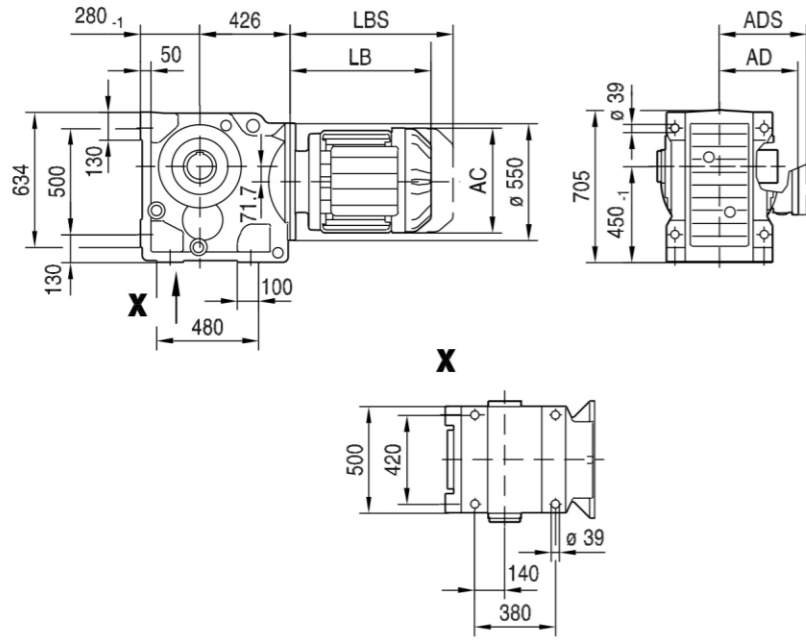
KHF157..



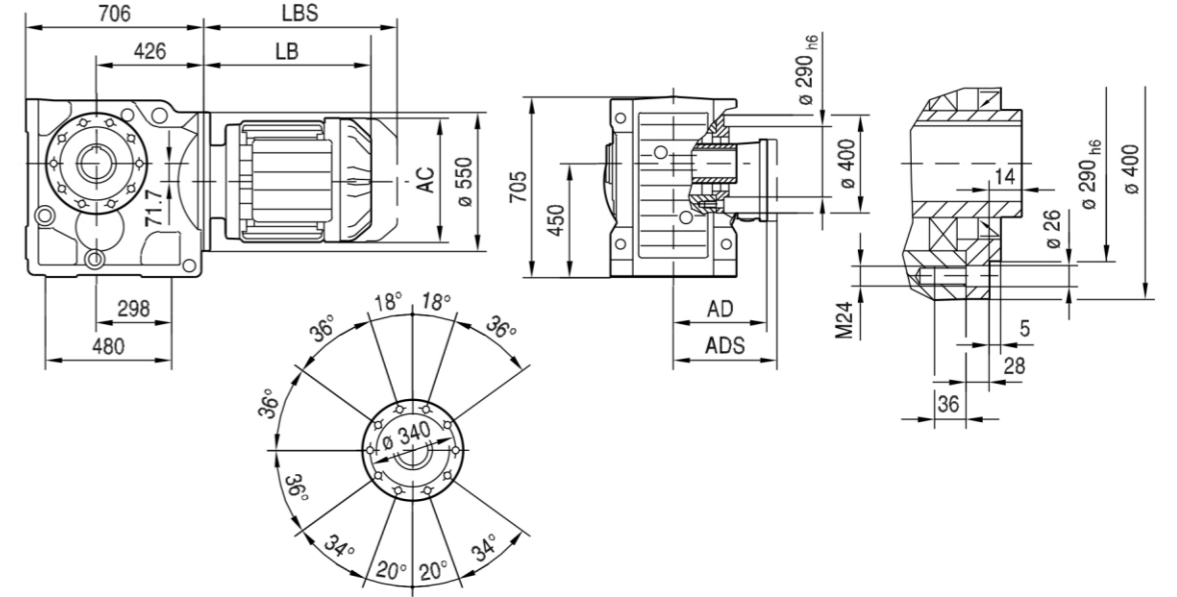
注: 1. LB、LBS、AC、AD、ADS尺寸详见附录A;
Note: 1. See appendix A for the size of LB&LBS&AC&AD&ADS;
2. 电机需方配或配特殊电机时需加联接法兰。(见附录B)
2. When equipping the user's motor or the special one, the flange is required to connected. (Please see appendix B)

注: 1. LB、LBS、AC、AD、ADS尺寸详见附录A;
Note: 1. See appendix A for the size of LB&LBS&AC&AD&ADS;
2. 电机需方配或配特殊电机时需加联接法兰。(见附录B)
2. When equipping the user's motor or the special one, the flange is required to connected. (Please see appendix B)

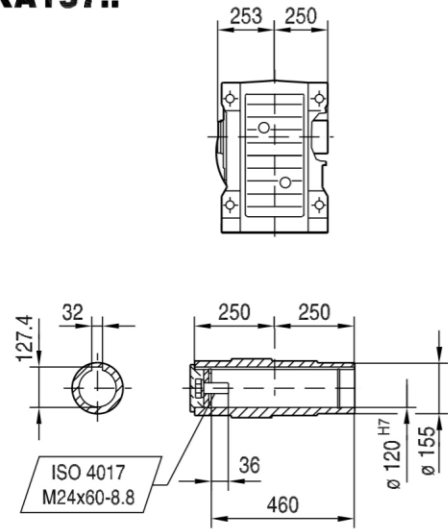
KA157..



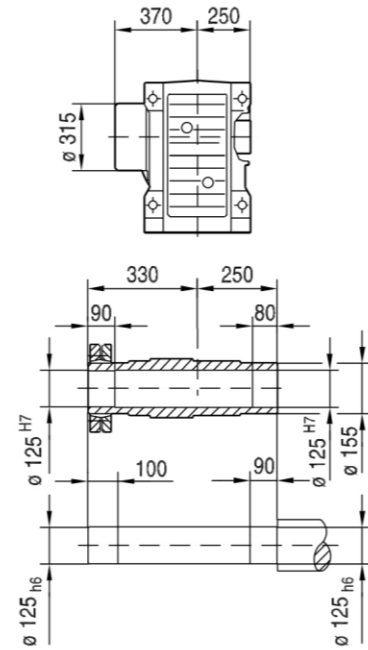
KAZ157..



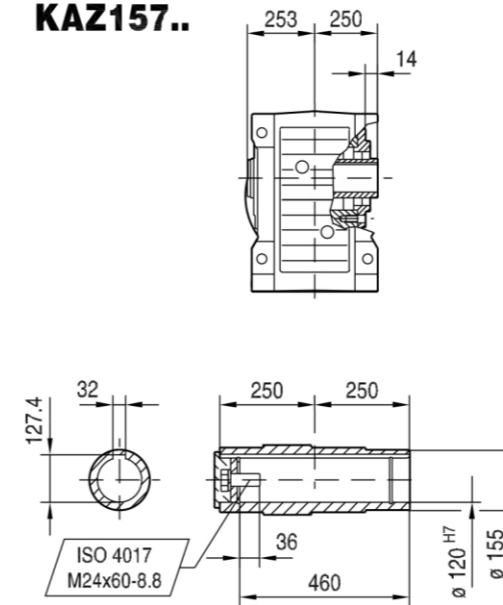
KA157..



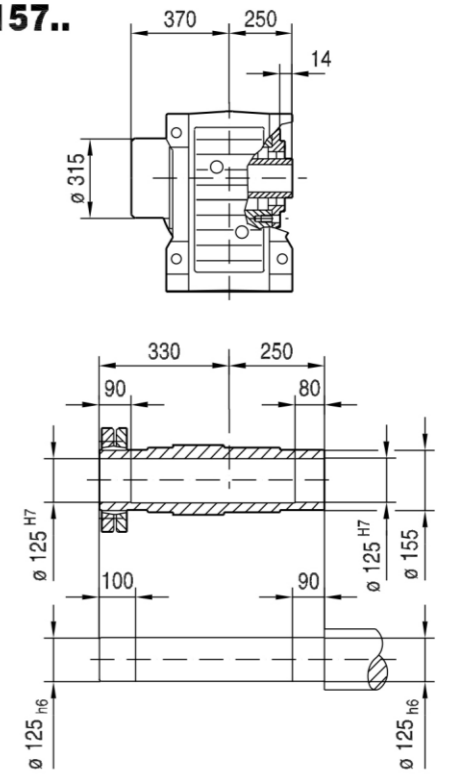
KH157..



KAZ157..



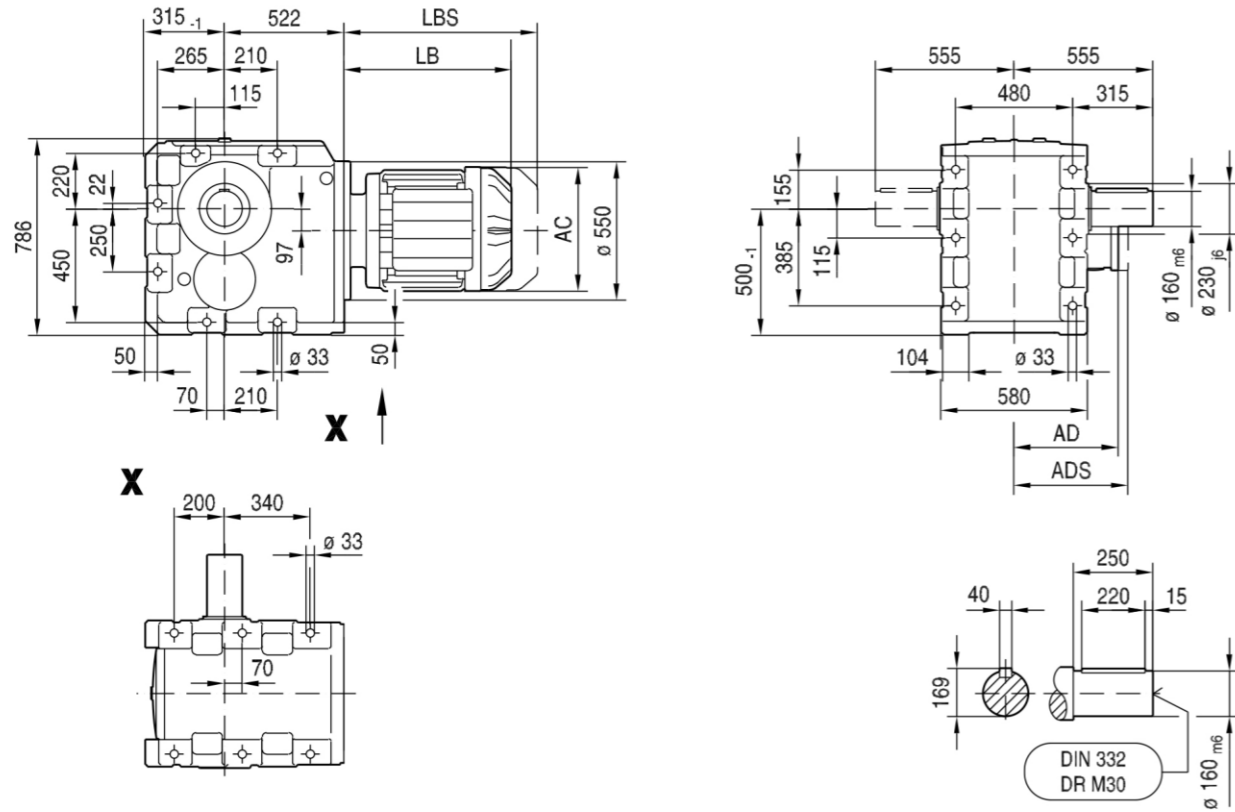
KHZ157..



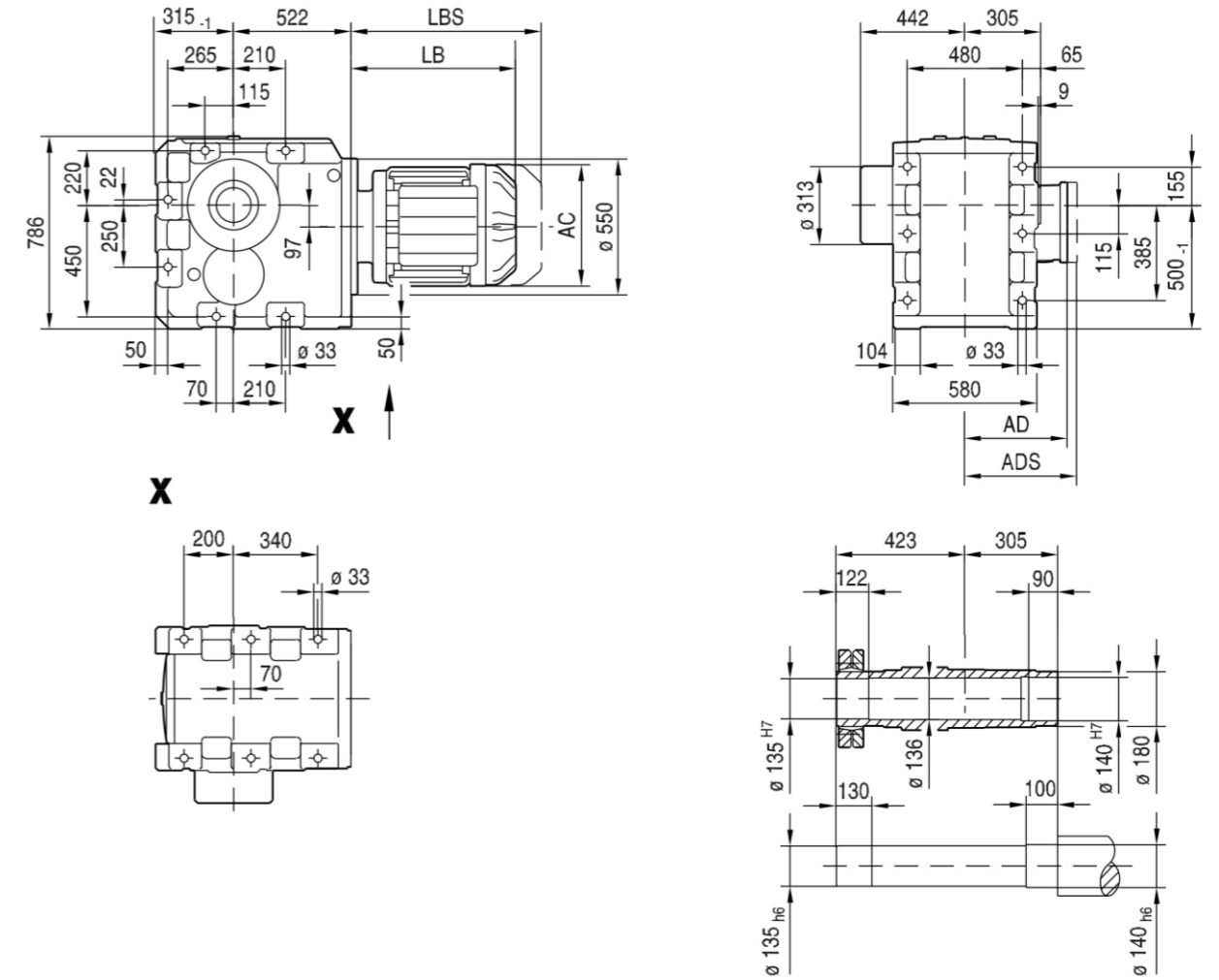
注: 1. LB、LBS、AC、AD、ADS尺寸详见附录A;
Note: 1. See appendix A for the size of LB&LBS&AC&AD&ADS;
2. 电机需方配或配特殊电机时需加联接法兰。(见附录B)
2. When equipping the user's motor or the special one, the flange is required to connected. (Please see appendix B)

注: 1. LB、LBS、AC、AD、ADS尺寸详见附录A;
Note: 1. See appendix A for the size of LB&LBS&AC&AD&ADS;
2. 电机需方配或配特殊电机时需加联接法兰。(见附录B)
2. When equipping the user's motor or the special one, the flange is required to connected. (Please see appendix B)

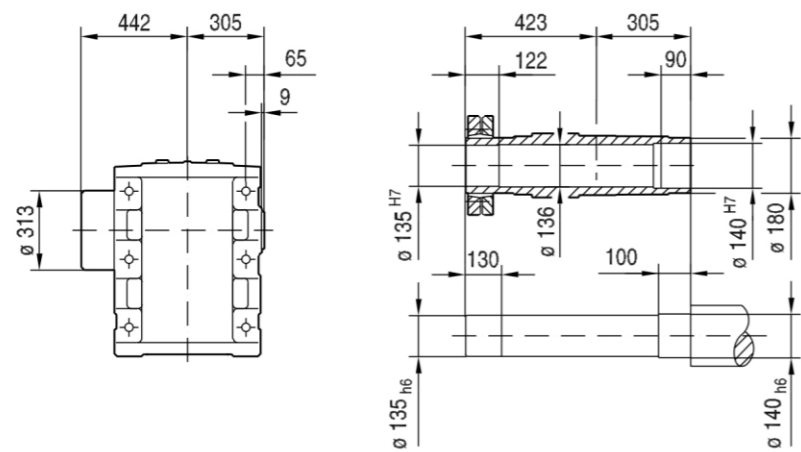
K167..



KH167..



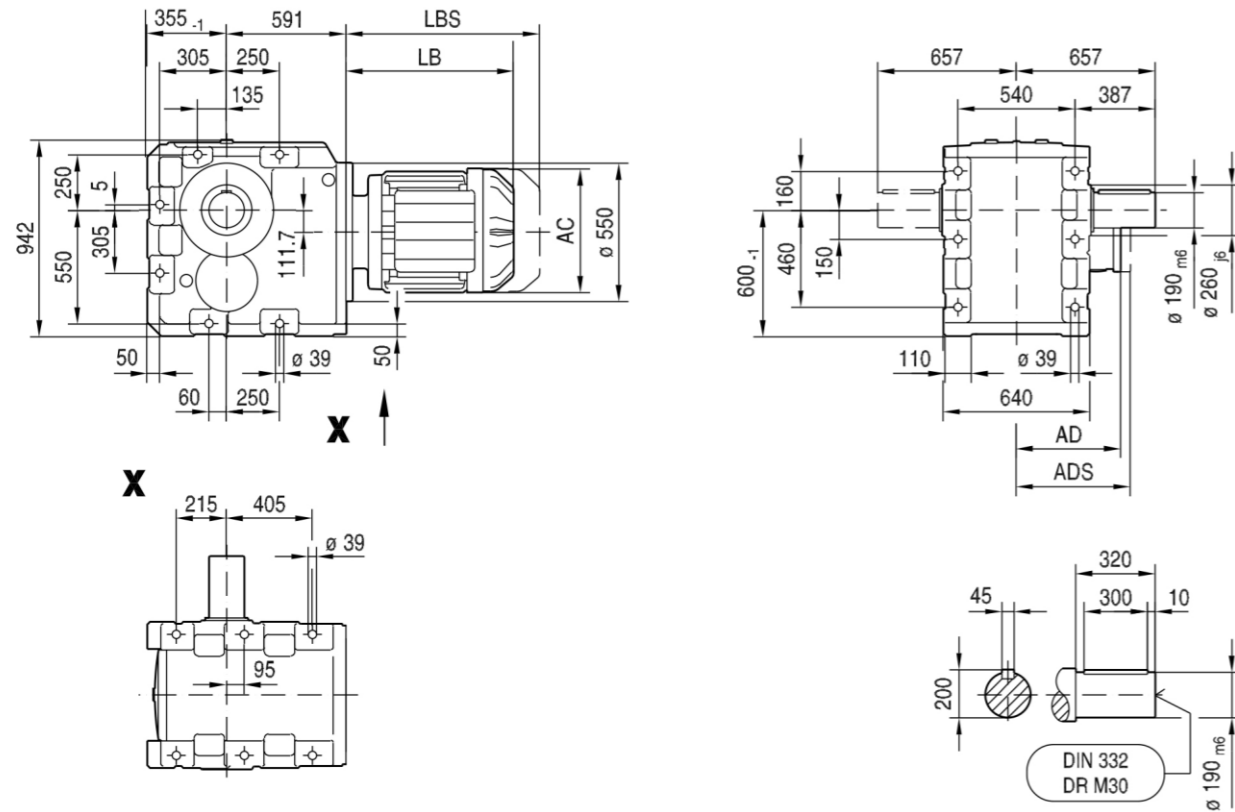
KHB167..



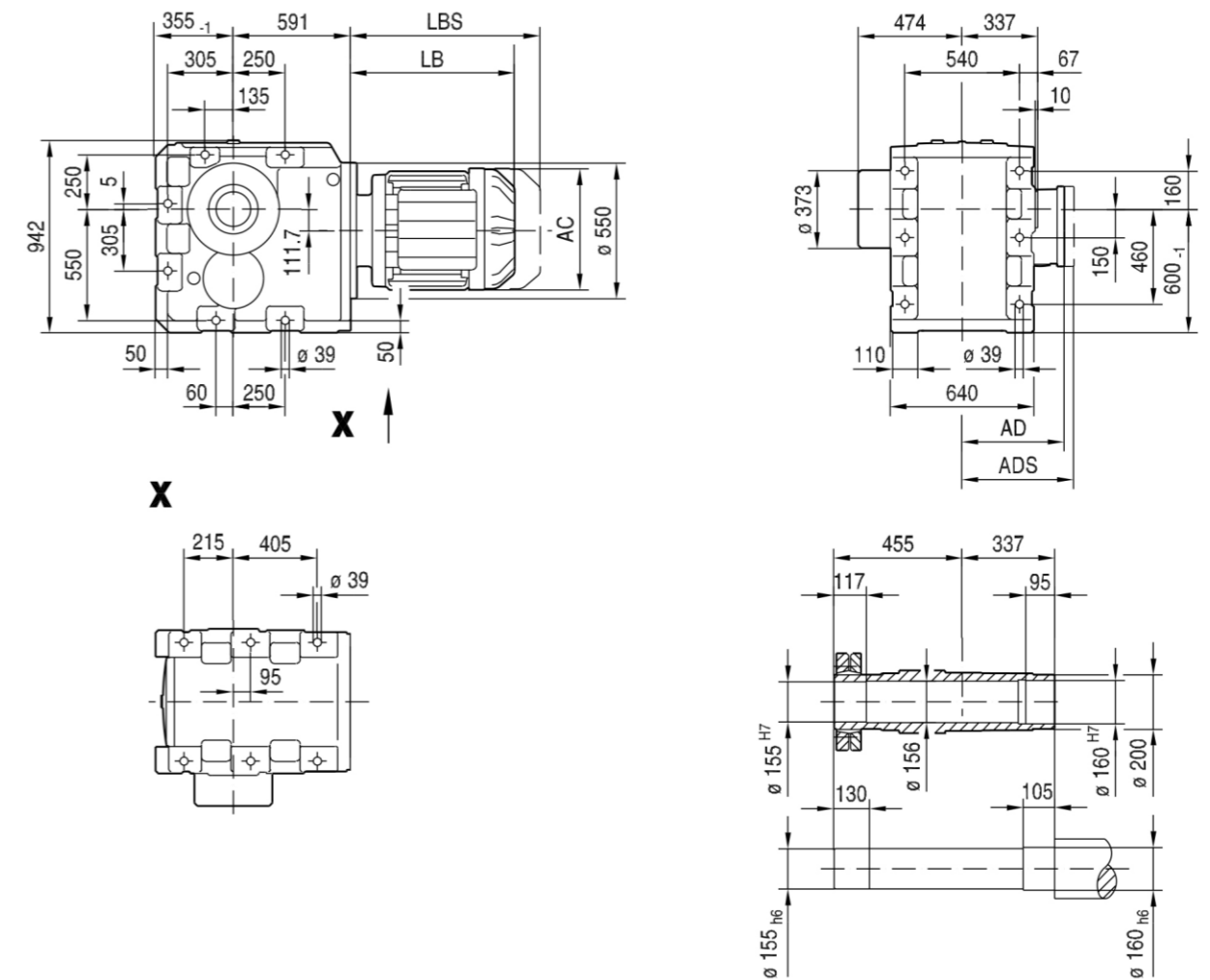
注: 1. LB、LBS、AC、AD、ADS尺寸详见附录A;
Note: 1. See appendix A for the size of LB&LBS&AC&AD&ADS;
2. 电机需方配或配特殊电机时需加联接法兰。(见附录B)
2. When equipping the user's motor or the special one, the flange is required to connected. (Please see appendix B)

注: 1. LB、LBS、AC、AD、ADS尺寸详见附录A;
Note: 1. See appendix A for the size of LB&LBS&AC&AD&ADS;
2. 电机需方配或配特殊电机时需加联接法兰。(见附录B)
2. When equipping the user's motor or the special one, the flange is required to connected. (Please see appendix B)

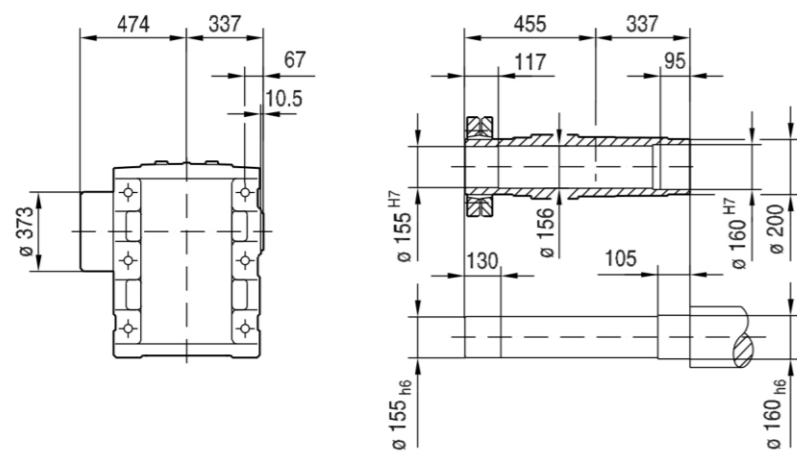
K187..



KH187..



KHB187..

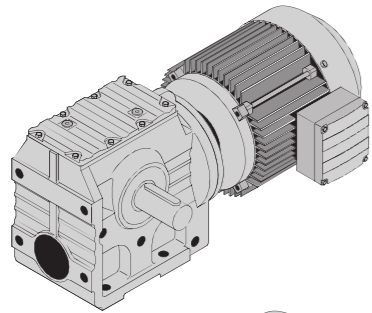


注: 1. LB、LBS、AC、AD、ADS尺寸详见附录A;
Note: 1. See appendix A for the size of LB&LBS&AC&AD&ADS;
2. 电机需方配或配特殊电机时需加联接法兰。(见附录B)
2. When equipping the user's motor or the special one, the flange is required to connected. (Please see appendix B)

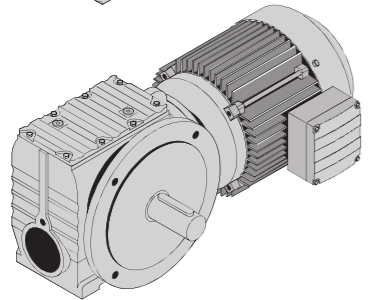
注: 1. LB、LBS、AC、AD、ADS尺寸详见附录A;
Note: 1. See appendix A for the size of LB&LBS&AC&AD&ADS;
2. 电机需方配或配特殊电机时需加联接法兰。(见附录B)
2. When equipping the user's motor or the special one, the flange is required to connected. (Please see appendix B)



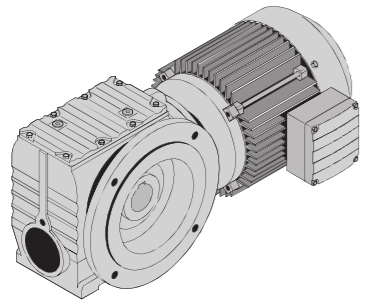
S系列产品设计方案
S series Products design



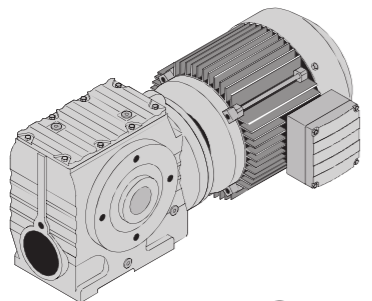
S..Y..
底脚安装斜齿轮-蜗轮蜗杆减速机
Foot mounting helical gear worm gear speed reducers



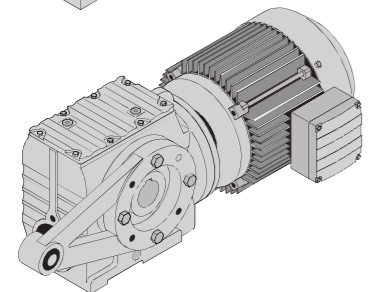
SF..Y..
法兰安装斜齿轮-蜗轮蜗杆减速机
Flange mounting helical gear worm gear speed reducers



SAF..Y..
B5法兰空心轴安装斜齿轮-蜗轮蜗杆减速机
B5 flange hollow shaft mounting helical gear worm gear speed reducers

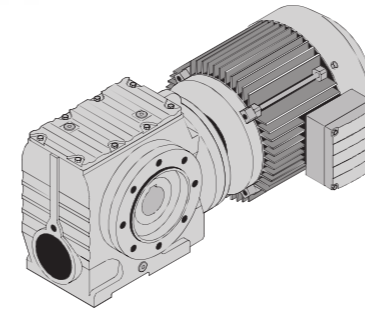


SA..Y..
空心轴安装斜齿轮-蜗轮蜗杆减速机
Hollow shaft mounting helical gear worm gear speed reducers

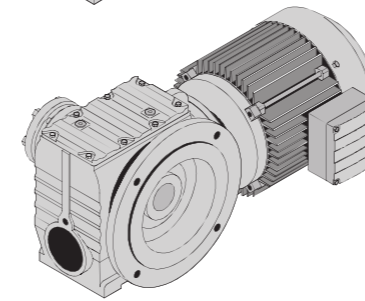


SA../T../Y..
空心轴安装(带扭力臂)斜齿轮-蜗轮蜗杆减速机
Hollow shaft mounting(with torque arm) helical gear worm gear speed reducer

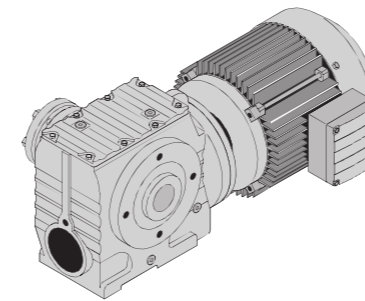
S系列产品设计方案
S series Products design



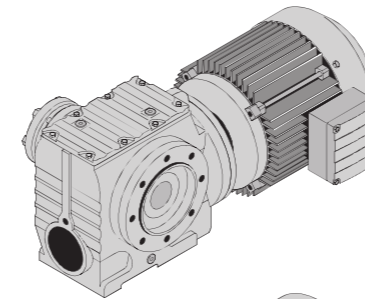
SAZ..Y..
B14法兰空心轴安装斜齿轮-蜗轮蜗杆减速机
B14 flange hollow shaft mounting helical gear worm gear speed reducers



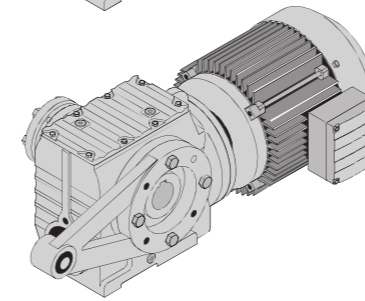
SHF..Y..
B5法兰空心轴锁紧盘安装斜齿轮-蜗轮蜗杆减速机
B5 flange hollow shaft and locked-dish mounting helical gear worm gear speed reducers



SH..Y..
空心轴锁紧盘安装斜齿轮-蜗轮蜗杆减速机
Hollow shaft and locked-dish mounting helical gear worm gear speed reducers

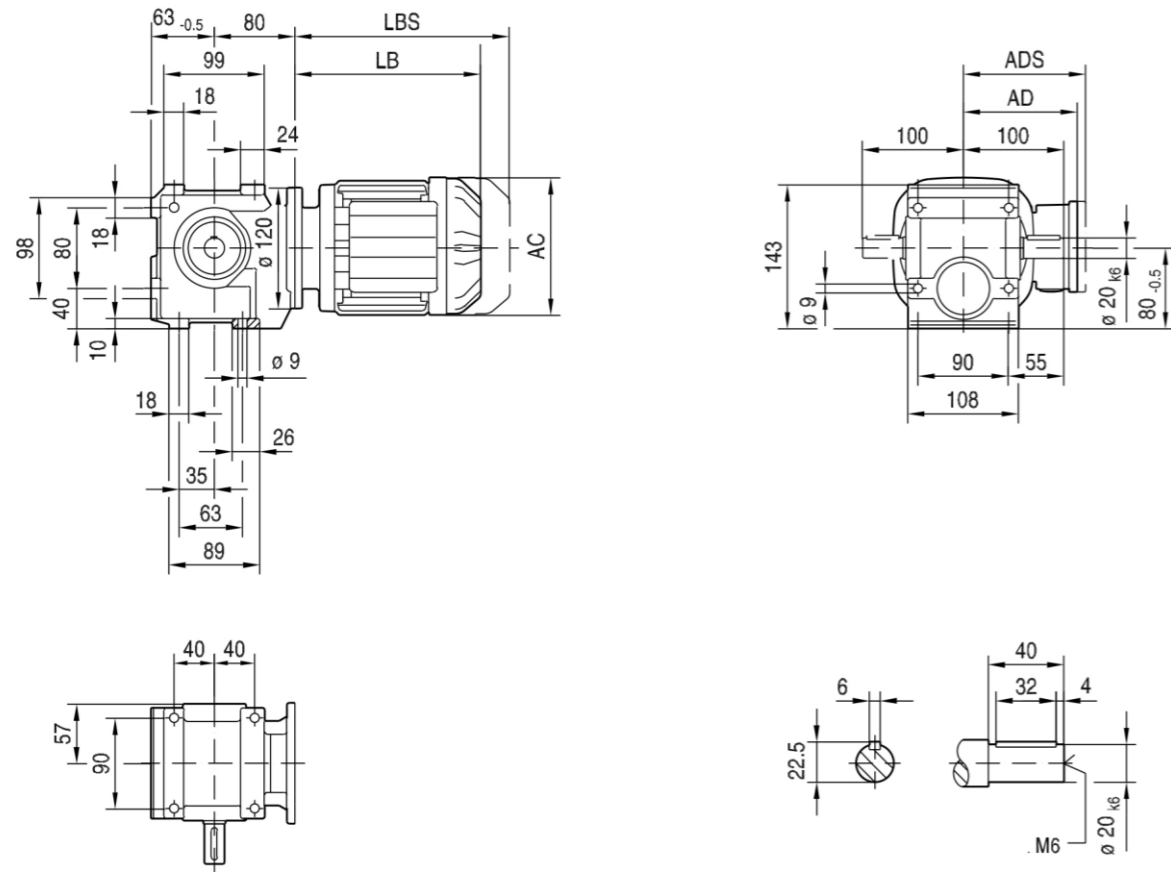


SHZ..Y..
B14法兰空心轴锁紧盘安装斜齿轮-蜗轮蜗杆减速机
B14 flange hollow shaft and locked-dish mounting helical gear worm gear speed reducers

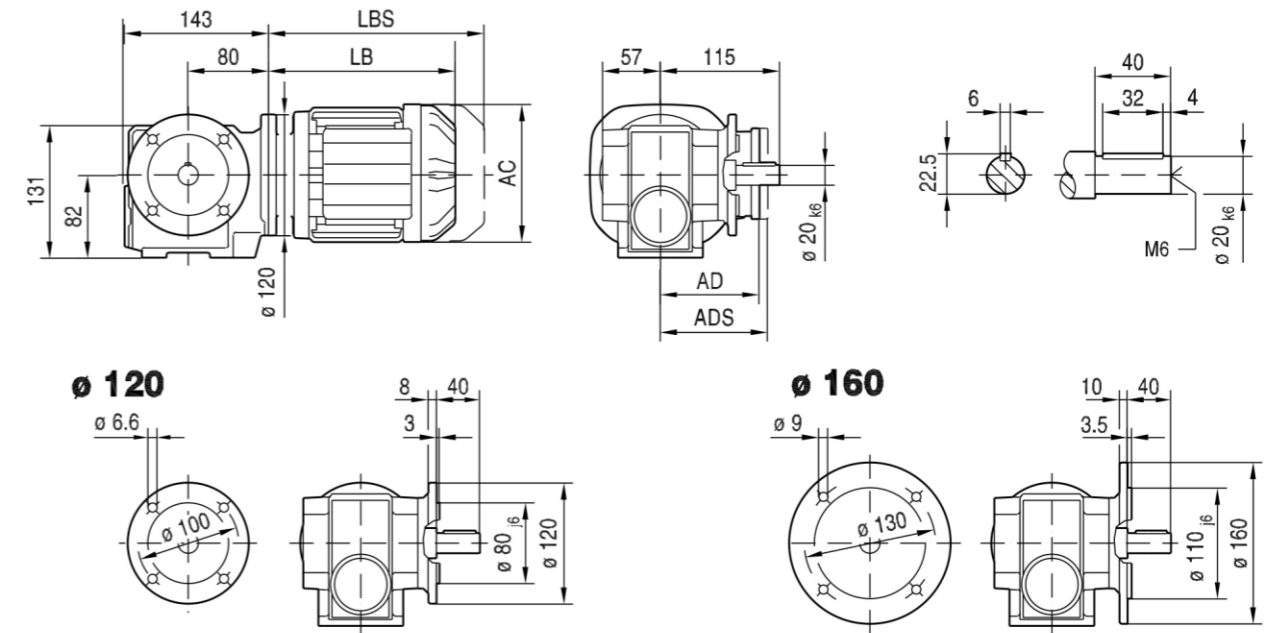


SH../T../Y..
空心轴锁紧盘安装(带扭力臂)斜齿轮-蜗轮蜗杆减速机
Hollow shaft and locked-dish mounting(with torque arm) helical gear worm gear speed reducer

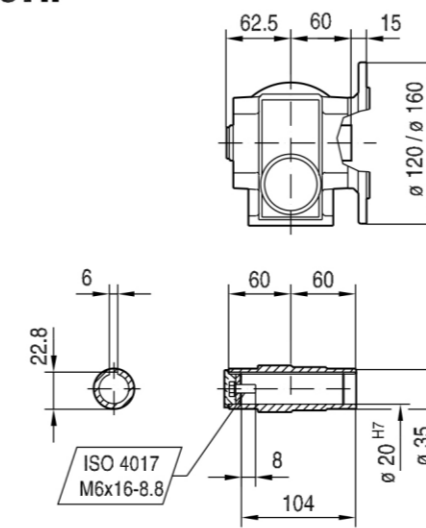
S37..



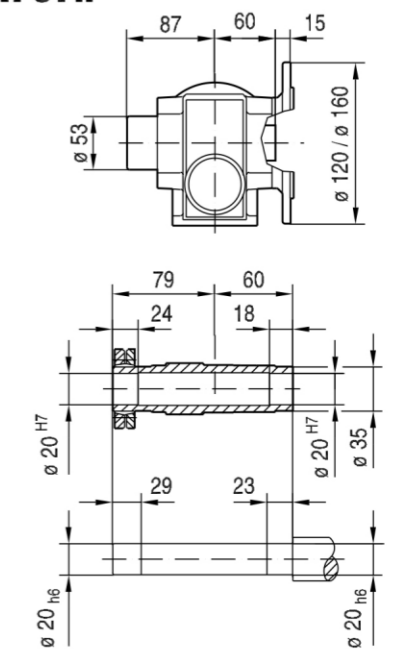
SF37..



SAF37..



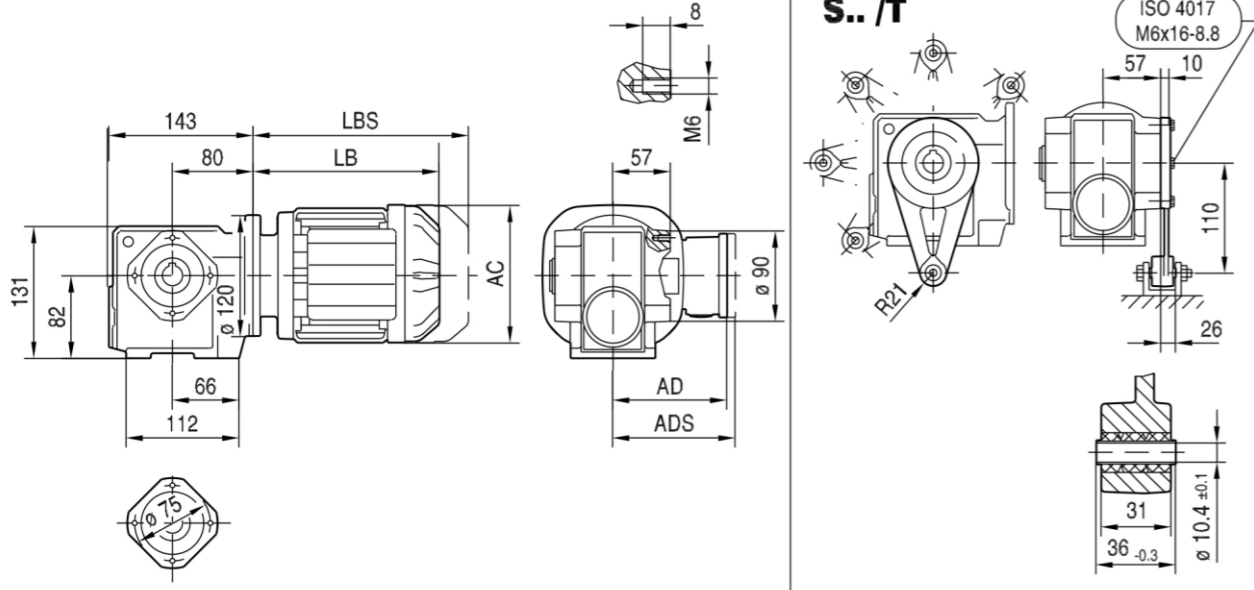
SHF37..



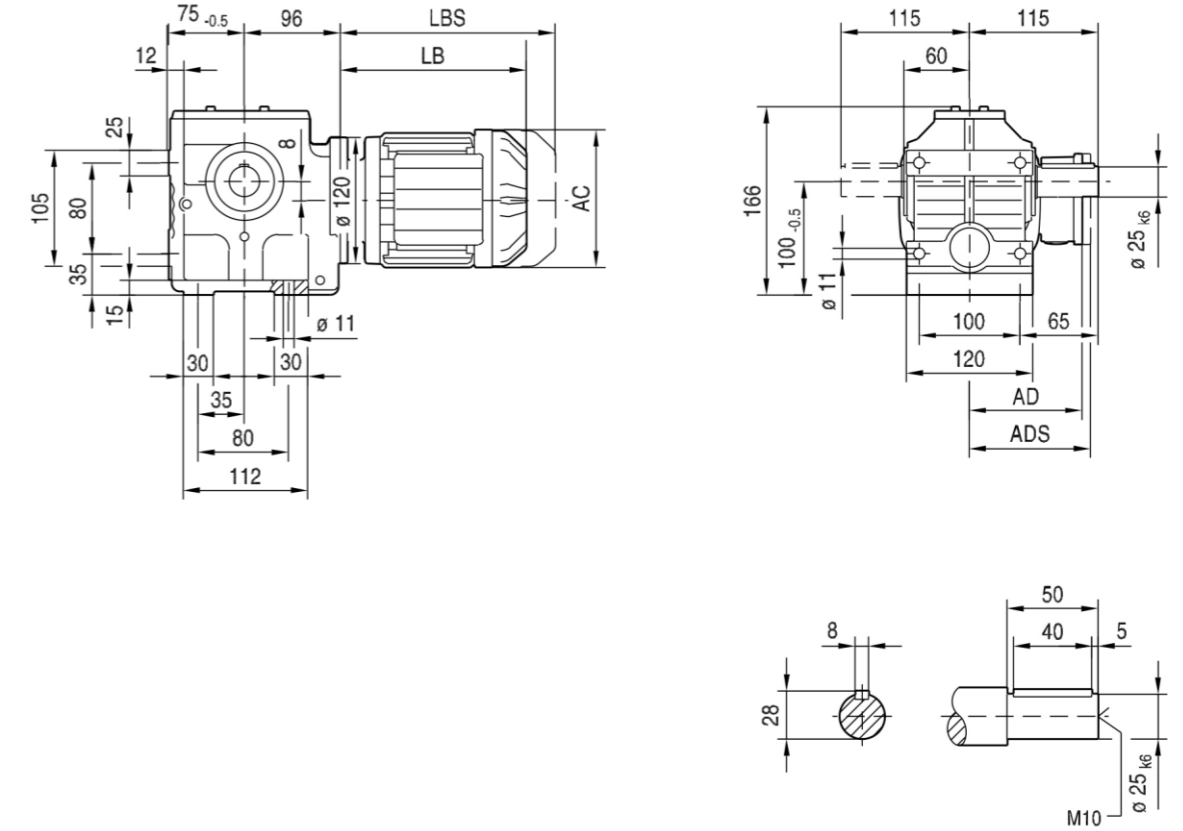
注: 1. LB、LBS、AC、AD、ADS尺寸详见附录A;
Note: 1. See appendix A for the size of LB&LBS&AC&AD&ADS;
2. 电机需方配或配特殊电机时需加联接法兰。(见附录B)
2. When equipping the user's motor or the special one, the flange is required to be connected. (Please see appendix B)

注: 1. LB、LBS、AC、AD、ADS尺寸详见附录A;
Note: 1. See appendix A for the size of LB&LBS&AC&AD&ADS;
2. 电机需方配或配特殊电机时需加联接法兰。(见附录B)
2. When equipping the user's motor or the special one, the flange is required to be connected. (Please see appendix B)

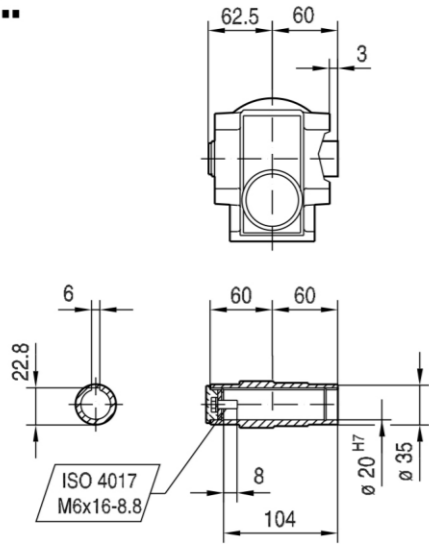
SA37..



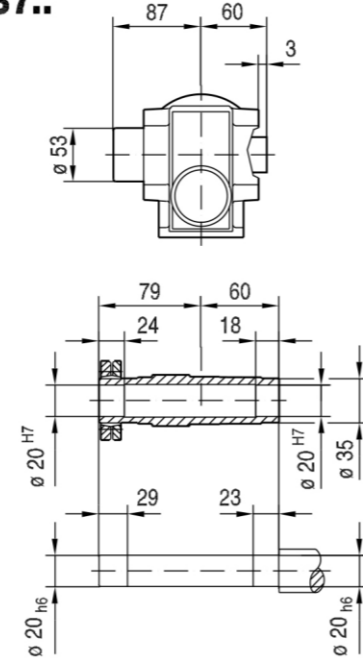
S47..



SA37..



SH37..

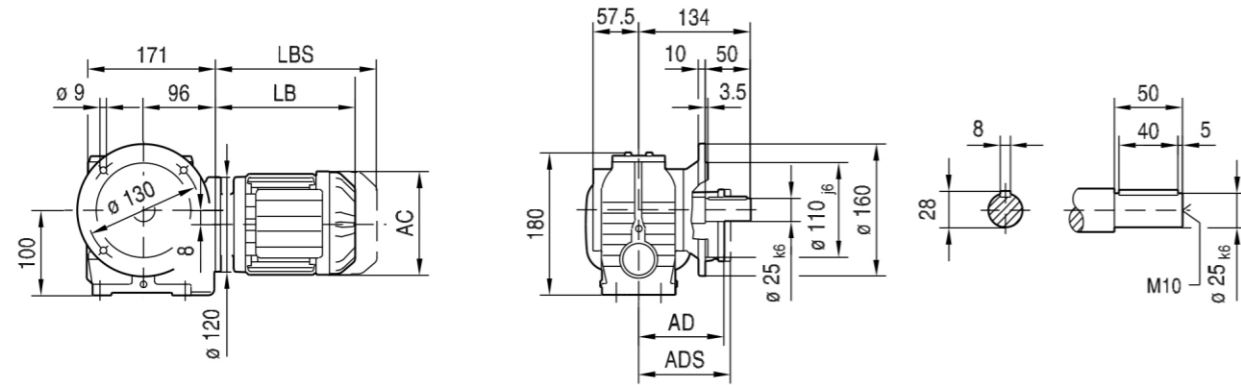


注: 1. LB、LBS、AC、AD、ADS尺寸详见附录A;
Note: 1. See appendix A for the size of LB&LBS&AC&AD&ADS;
2. 电机需方配或配特殊电机时需加联接法兰。(见附录B)
2. When equipping the user's motor or the special one, the flange is required to be connected. (Please see appendix B)

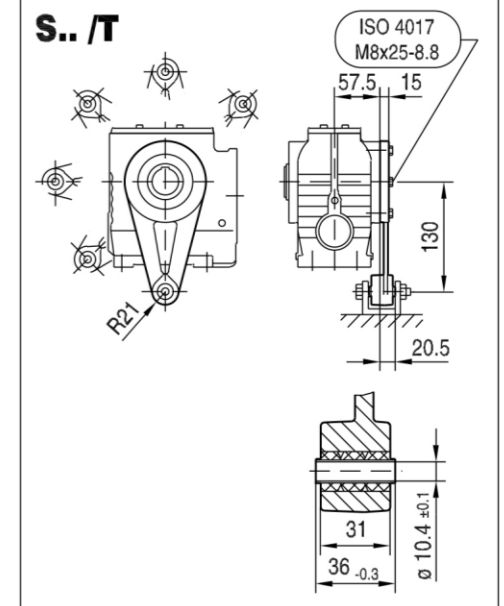
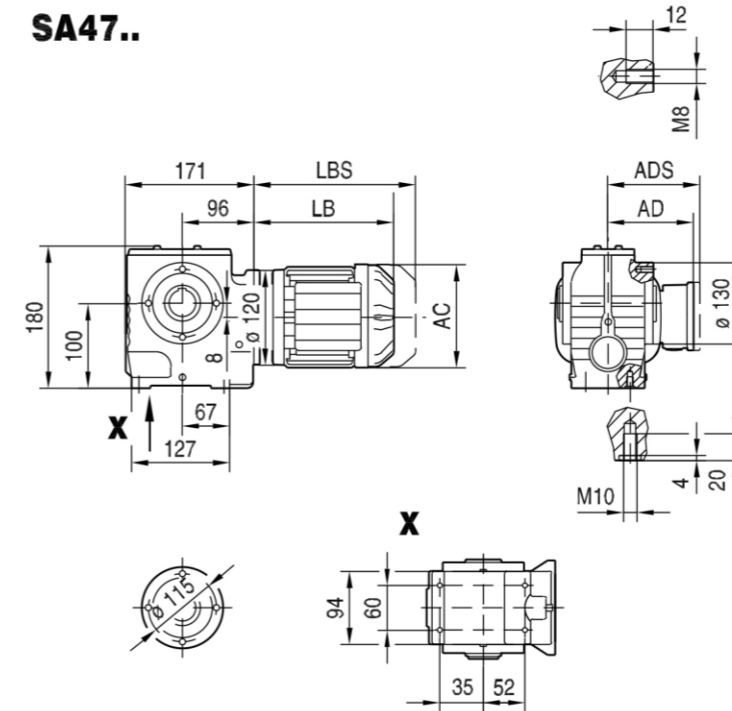
注: 1. LB、LBS、AC、AD、ADS尺寸详见附录A;
Note: 1. See appendix A for the size of LB&LBS&AC&AD&ADS;
2. 电机需方配或配特殊电机时需加联接法兰。(见附录B)
2. When equipping the user's motor or the special one, the flange is required to be connected. (Please see appendix B)



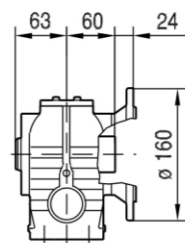
SF47..



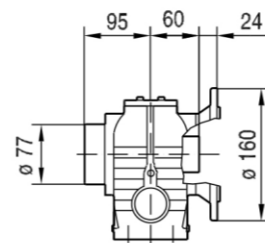
SA47..



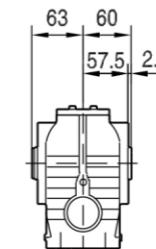
SAF47..



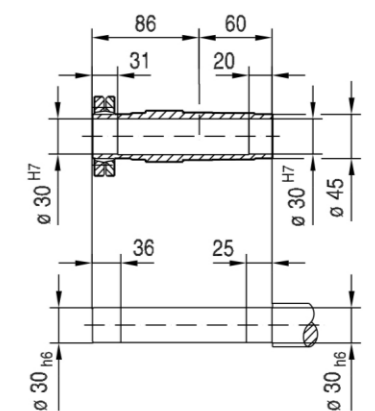
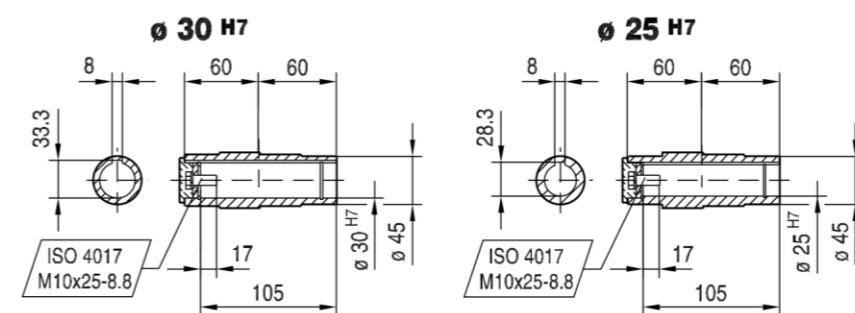
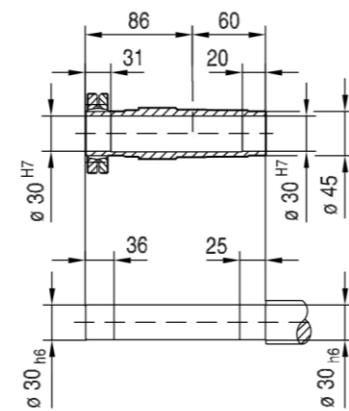
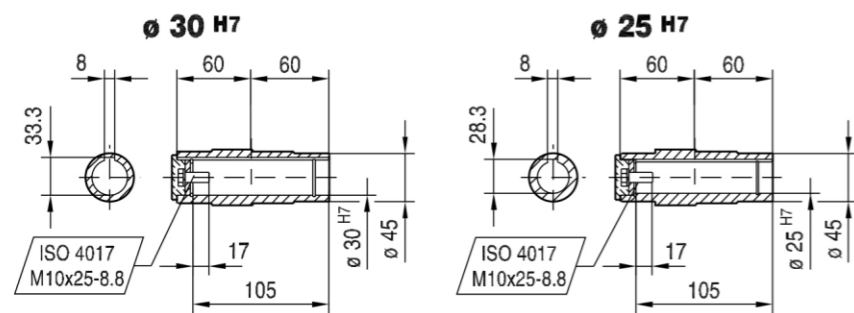
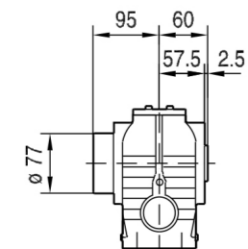
SHF47..



SA47..



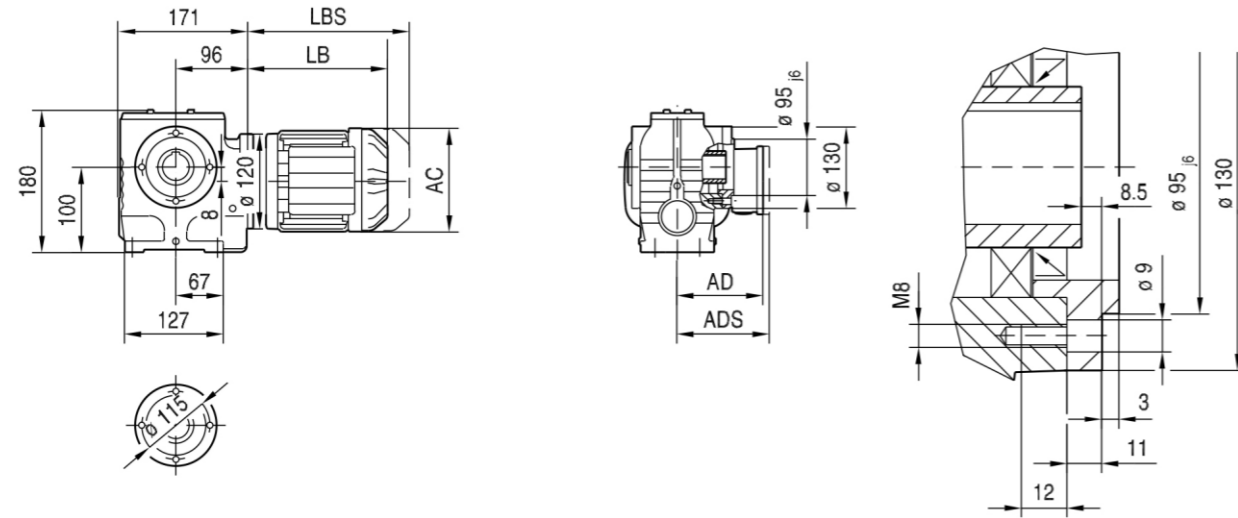
SH47..



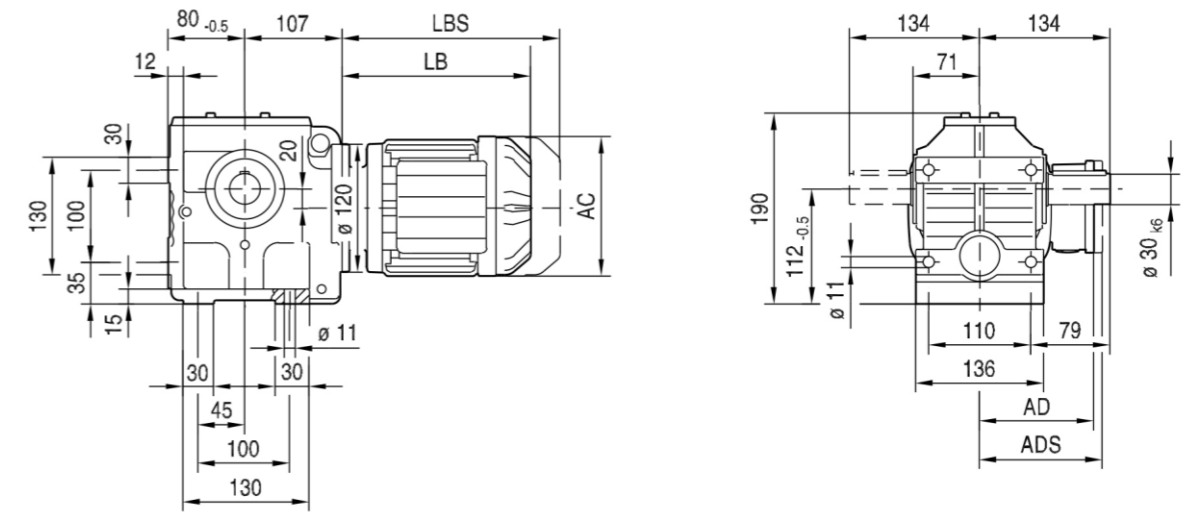
注: 1. LB、LBS、AC、AD、ADS尺寸详见附录A;
Note: 1. See appendix A for the size of LB&LBS&AC&AD&ADS;
2. 电机需方配或配特殊电机时需加联接法兰。(见附录B)
2. When equipping the user's motor or the special one, the flange is required to connected. (Please see appendix B)

注: 1. LB、LBS、AC、AD、ADS尺寸详见附录A;
Note: 1. See appendix A for the size of LB&LBS&AC&AD&ADS;
2. 电机需方配或配特殊电机时需加联接法兰。(见附录B)
2. When equipping the user's motor or the special one, the flange is required to connected. (Please see appendix B)

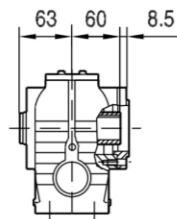
SAZ47..



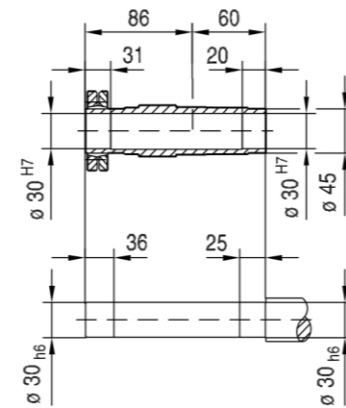
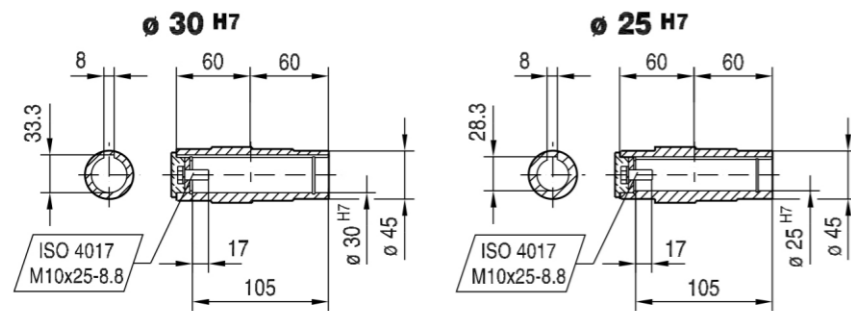
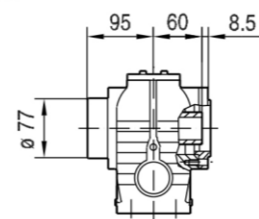
S57..



SAZ47..



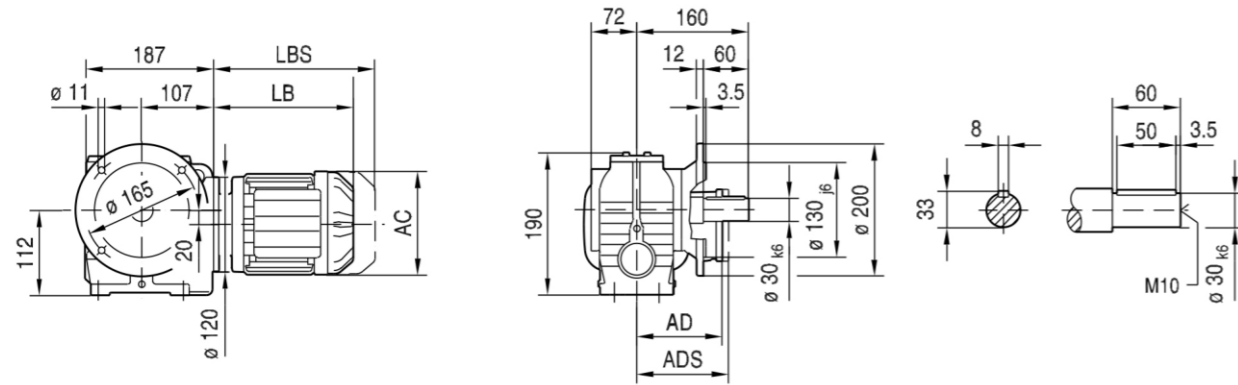
SHZ47..



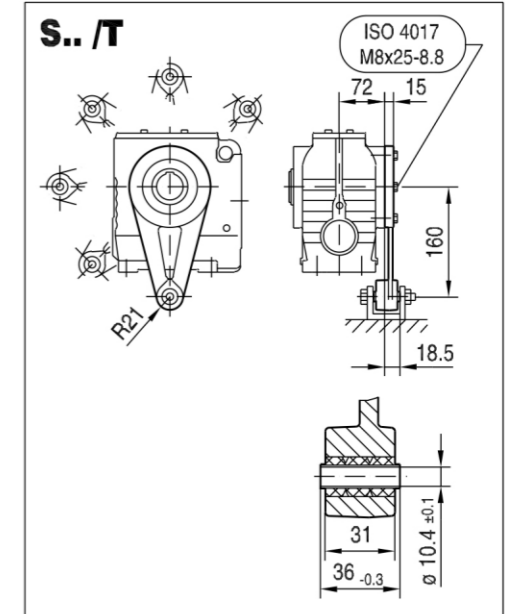
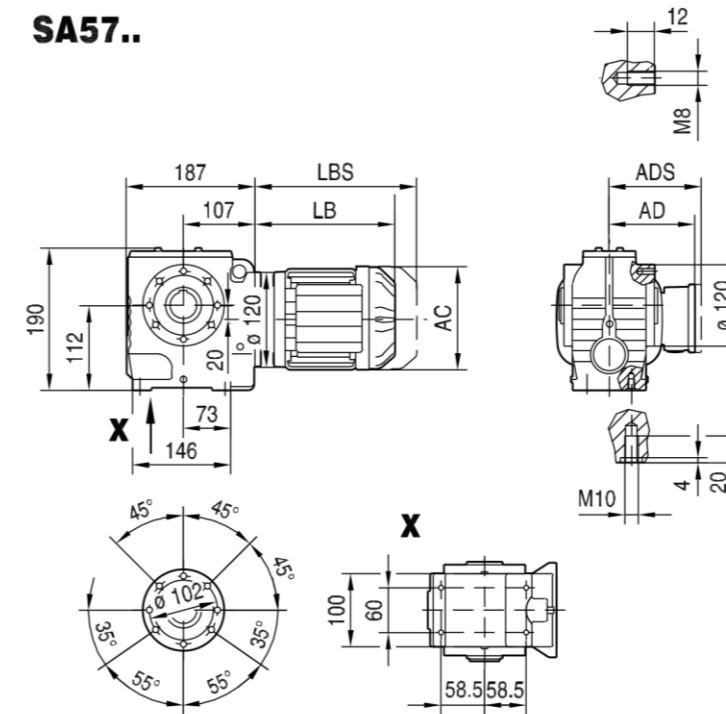
注： 1. LB、LBS、AC、AD、ADS尺寸详见附录A；
Note: 1. See appendix A for the size of LB&LBS&AC&AD&ADS;
2. 电机需方配或配特殊电机时需加联接法兰。(见附录B)
2. When equipping the user's motor or the special one, the flange is required to connected.(Please see appendix B)

注： 1. LB、LBS、AC、AD、ADS尺寸详见附录A；
Note: 1. See appendix A for the size of LB&LBS&AC&AD&ADS;
2. 电机需方配或配特殊电机时需加联接法兰。(见附录B)
2. When equipping the user's motor or the special one, the flange is required to connected.(Please see appendix B)

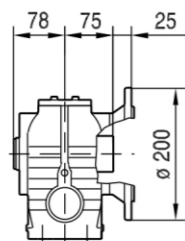
SF57..



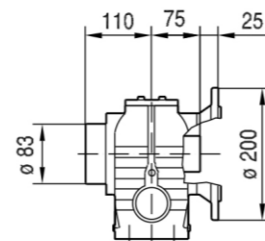
SA57..



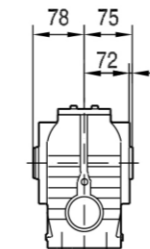
SAF57..



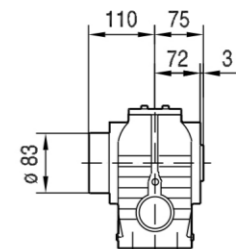
SHF57..



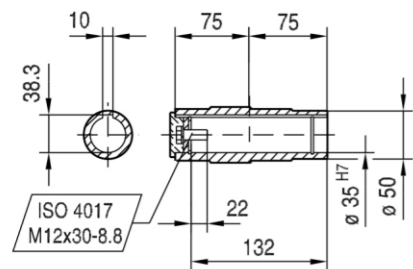
SA57..



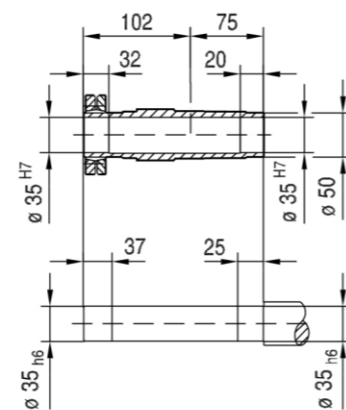
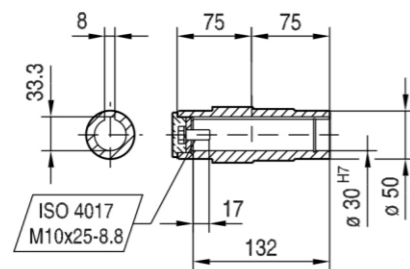
SH57..



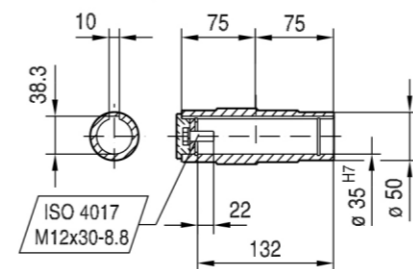
ISO 4017 M12x30-8.8



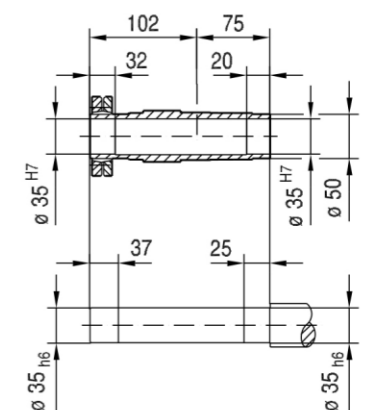
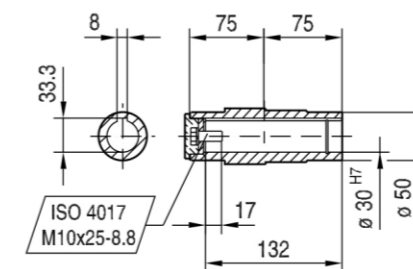
ISO 4017 M10x25-8.8



ISO 4017 M12x30-8.8



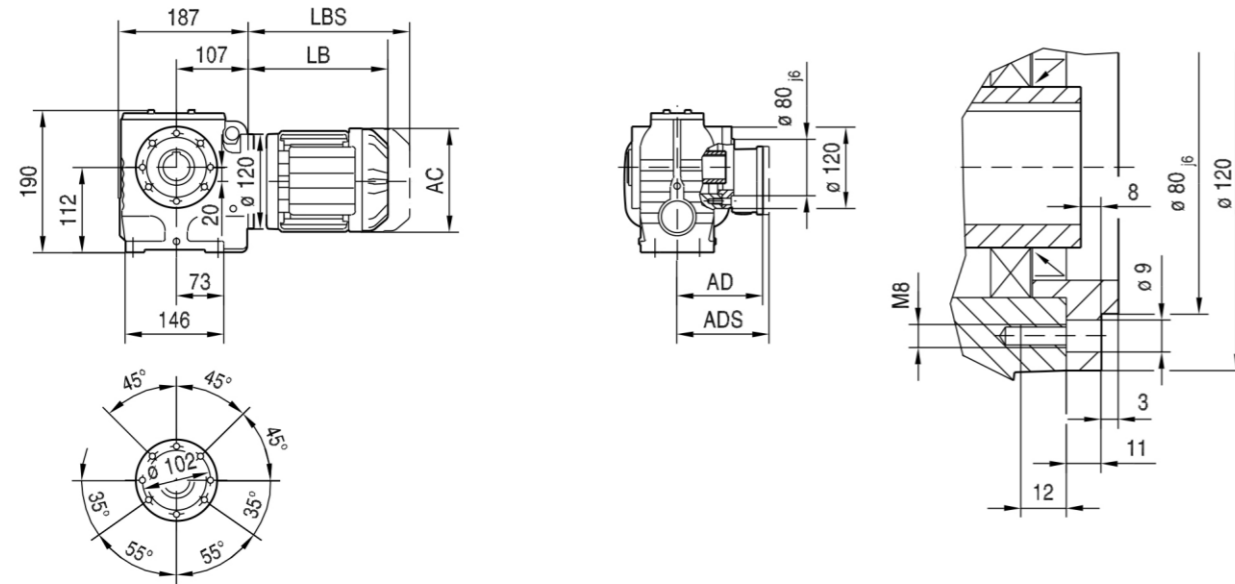
ISO 4017 M10x25-8.8



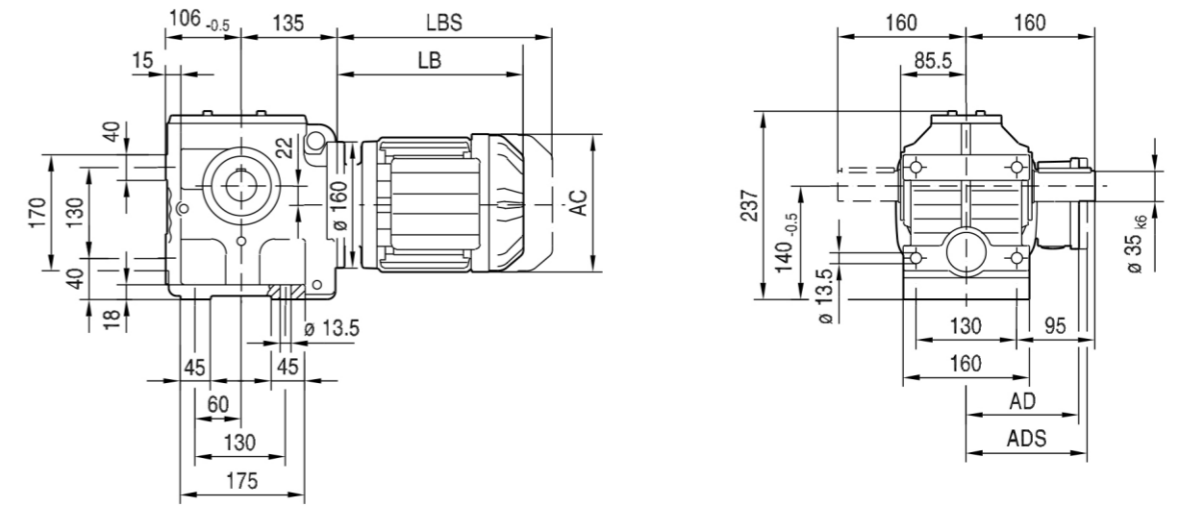
注: 1. LB、LBS、AC、AD、ADS尺寸详见附录A;
Note: 1. See appendix A for the size of LB&LBS&AC&AD&ADS;
2. 电机需方配或配特殊电机时需加联接法兰。(见附录B)
2. When equipping the user's motor or the special one, the flange is required to connected. (Please see appendix B)

注: 1. LB、LBS、AC、AD、ADS尺寸详见附录A;
Note: 1. See appendix A for the size of LB&LBS&AC&AD&ADS;
2. 电机需方配或配特殊电机时需加联接法兰。(见附录B)
2. When equipping the user's motor or the special one, the flange is required to connected. (Please see appendix B)

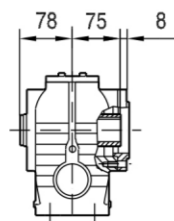
SAZ57..



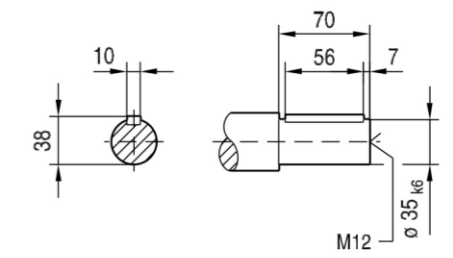
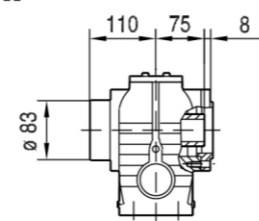
S67..



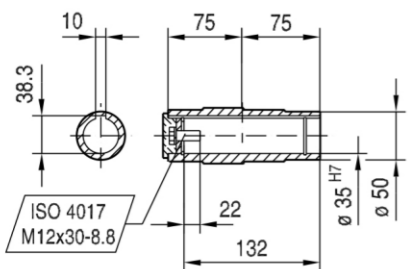
SAZ57..



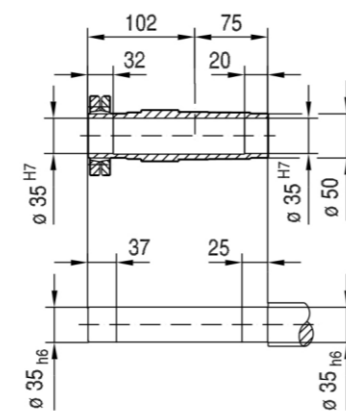
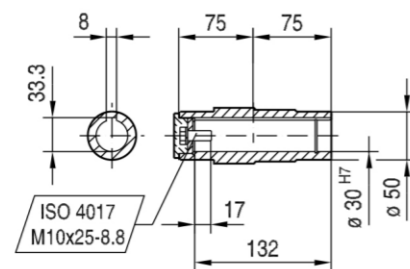
SHZ57..



Ø 35 H7



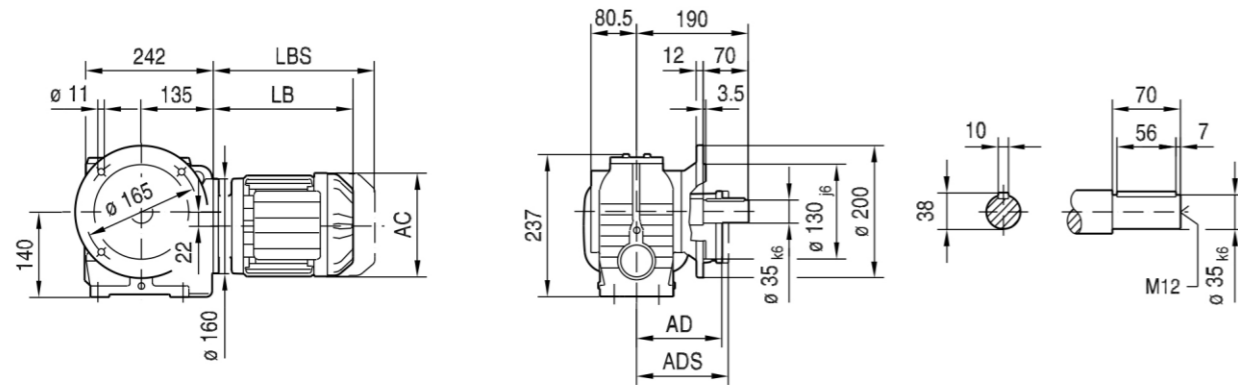
Ø 30 H7



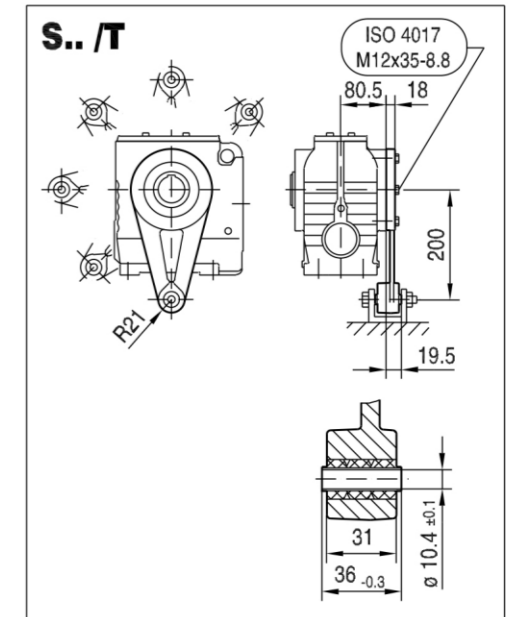
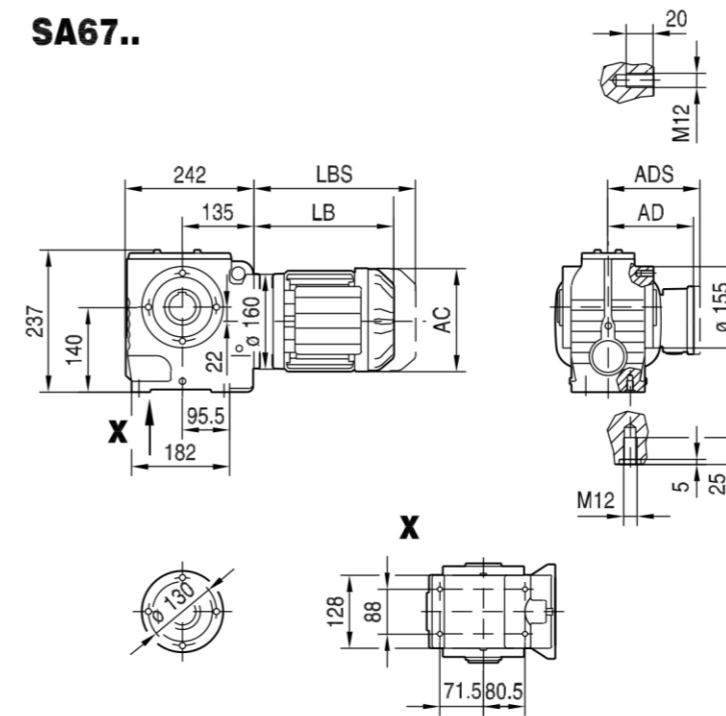
注： 1. LB、LBS、AC、AD、ADS尺寸详见附录A；
Note: 1. See appendix A for the size of LB&LBS&AC&AD&ADS;
2. 电机需方配或配特殊电机时需加联接法兰。(见附录B)
2. When equipping the user's motor or the special one, the flange is required to connected. (Please see appendix B)

注： 1. LB、LBS、AC、AD、ADS尺寸详见附录A；
Note: 1. See appendix A for the size of LB&LBS&AC&AD&ADS;
2. 电机需方配或配特殊电机时需加联接法兰。(见附录B)
2. When equipping the user's motor or the special one, the flange is required to connected. (Please see appendix B)

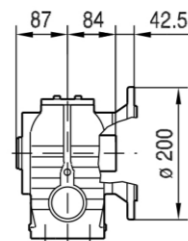
SF67..



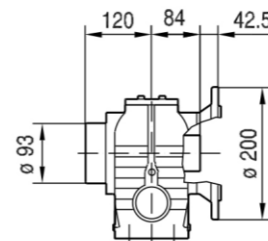
SA67..



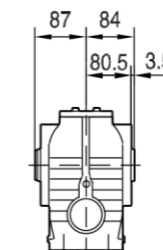
SAF67..



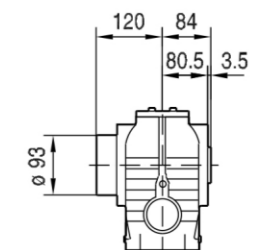
SHF67..



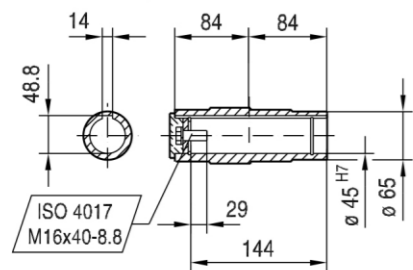
SA67..



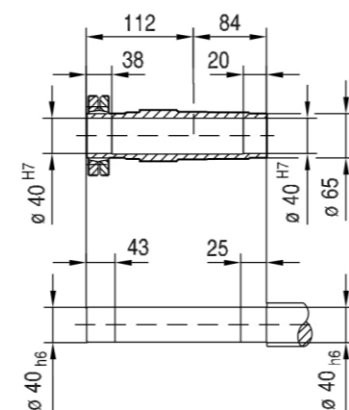
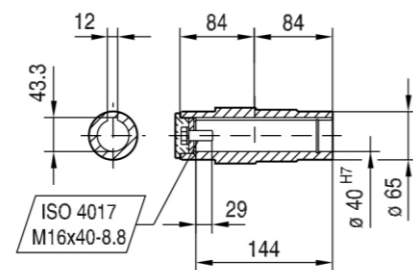
SH67..



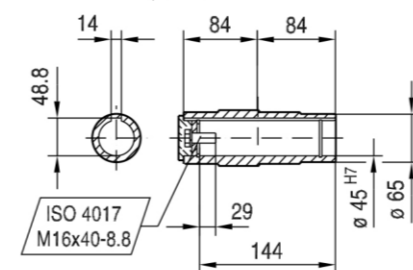
ISO 4017 M16x40-8.8



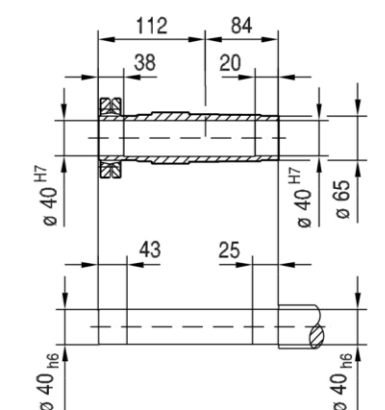
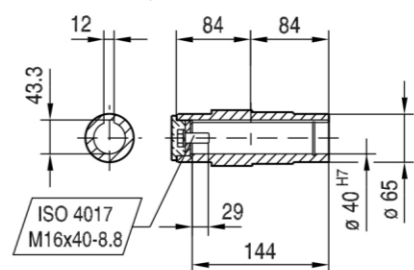
ISO 4017 M16x40-8.8



ISO 4017 M16x40-8.8



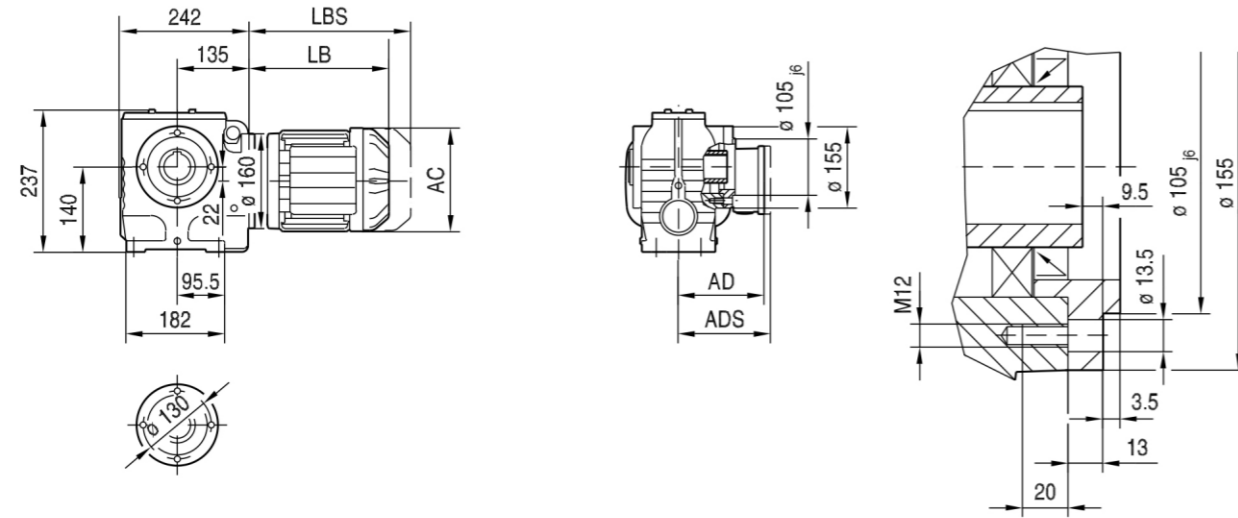
ISO 4017 M16x40-8.8



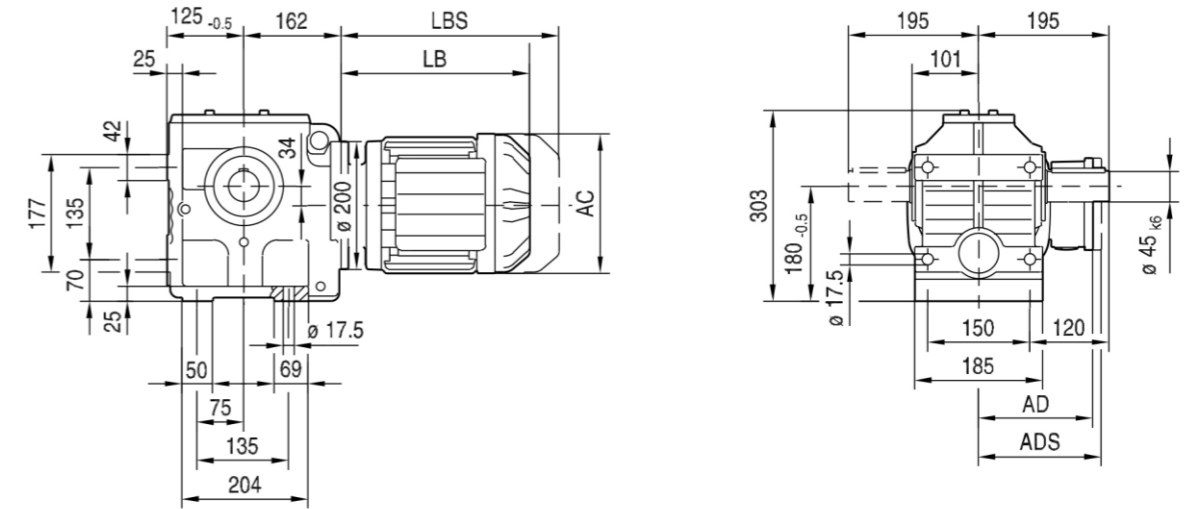
注: 1. LB、LBS、AC、AD、ADS尺寸详见附录A;
Note: 1. See appendix A for the size of LB&LBS&AC&AD&ADS;
2. 电机需方配或配特殊电机时需加联接法兰。(见附录B)
2. When equipping the user's motor or the special one, the flange is required to connected. (Please see appendix B)

注: 1. LB、LBS、AC、AD、ADS尺寸详见附录A;
Note: 1. See appendix A for the size of LB&LBS&AC&AD&ADS;
2. 电机需方配或配特殊电机时需加联接法兰。(见附录B)
2. When equipping the user's motor or the special one, the flange is required to connected. (Please see appendix B)

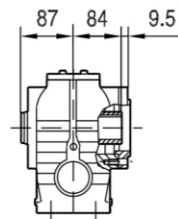
SAZ67..



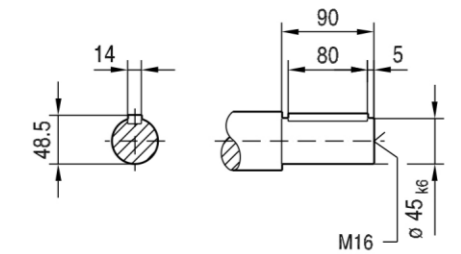
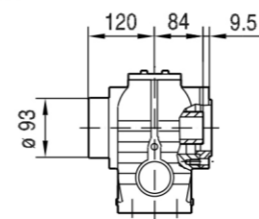
S77..



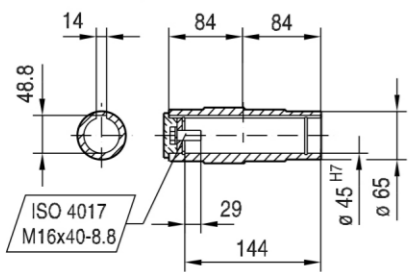
SAZ67..



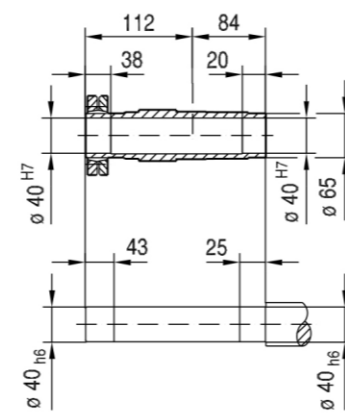
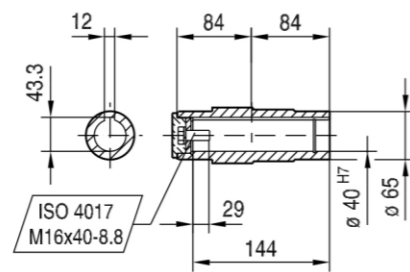
SHZ67..



ø 45 H7



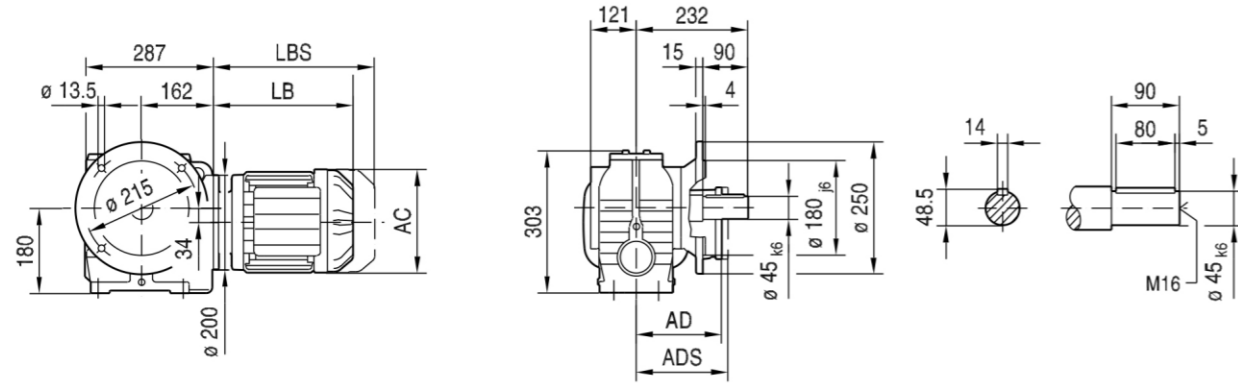
ø 40 H7



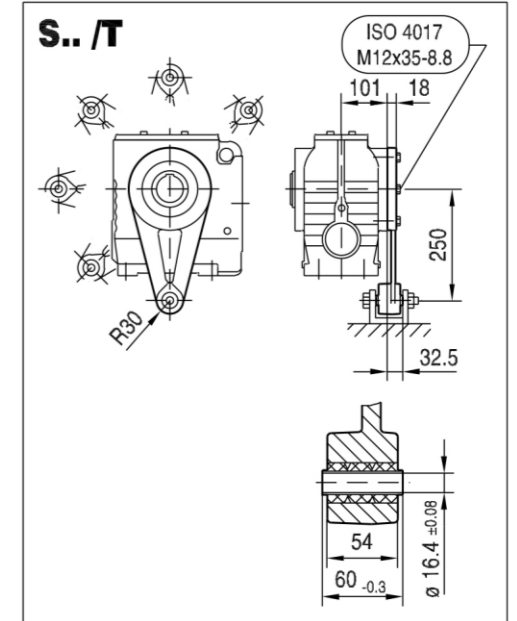
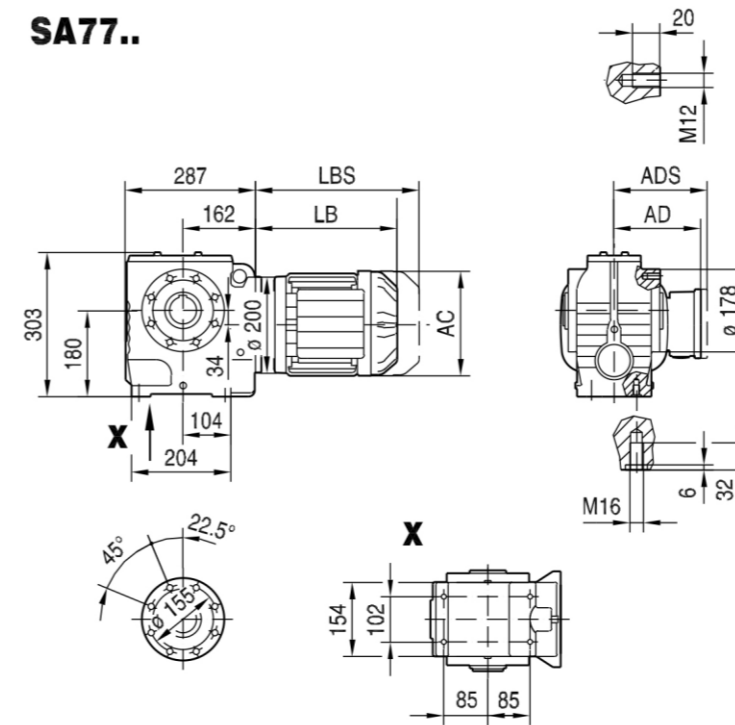
注： 1. LB、LBS、AC、AD、ADS尺寸详见附录A；
Note: 1. See appendix A for the size of LB&LBS&AC&AD&ADS;
2. 电机需方配或配特殊电机时需加联接法兰。(见附录B)
2. When equipping the user's motor or the special one, the flange is required to connected.(Please see appendix B)

注： 1. LB、LBS、AC、AD、ADS尺寸详见附录A；
Note: 1. See appendix A for the size of LB&LBS&AC&AD&ADS;
2. 电机需方配或配特殊电机时需加联接法兰。(见附录B)
2. When equipping the user's motor or the special one, the flange is required to connected.(Please see appendix B)

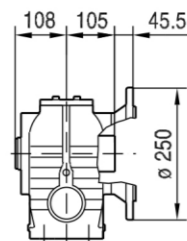
SF77..



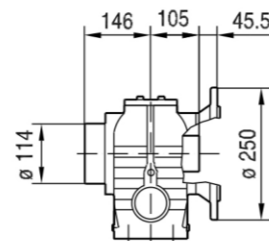
SA77..



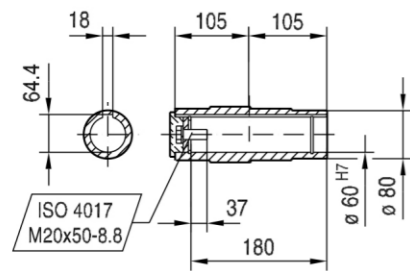
SAF77..



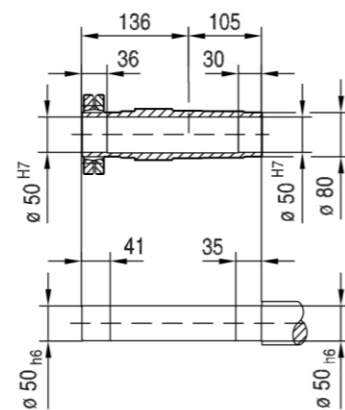
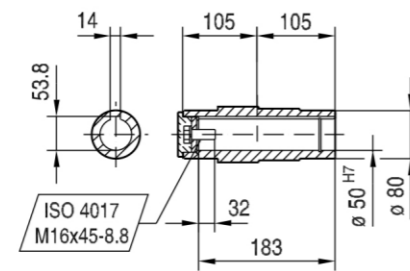
SHF77..



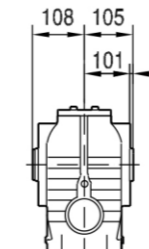
ø 60 H7



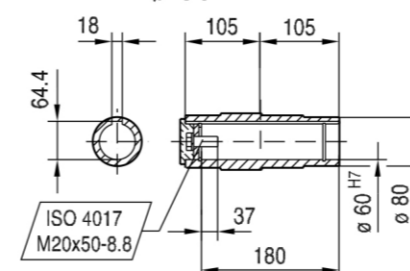
ø 50 H7



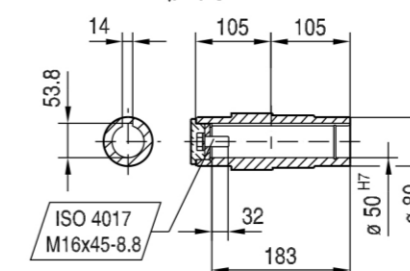
SA77..



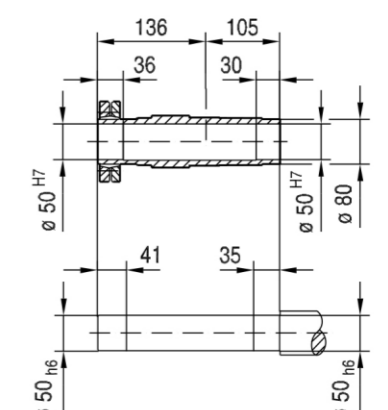
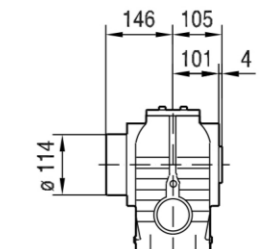
ø 60 H7



ø 50 H7



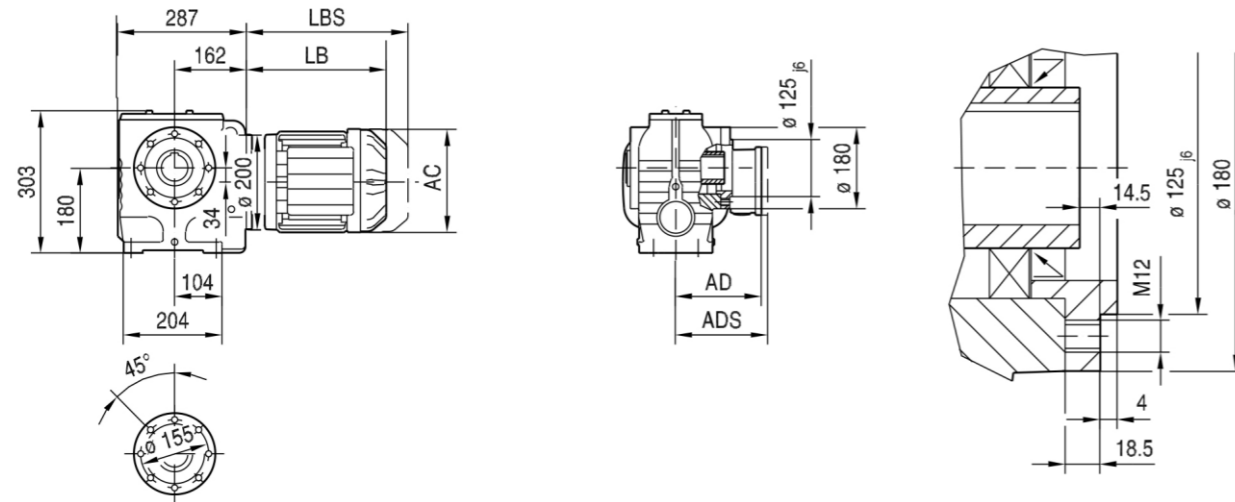
SH77..



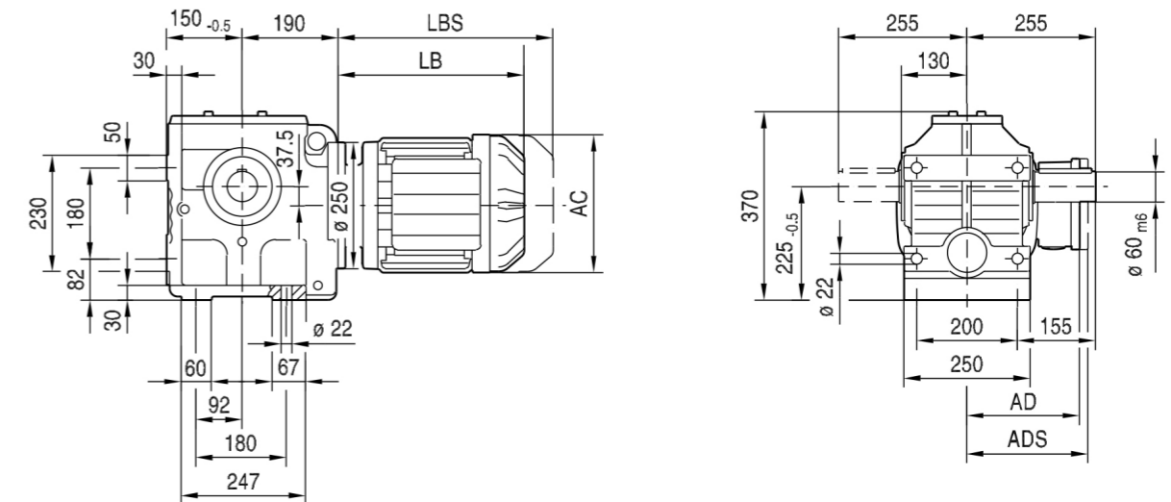
注： 1. LB、LBS、AC、AD、ADS尺寸详见附录A；
Note: 1. See appendix A for the size of LB&LBS&AC&AD&ADS;
2. 电机需方配或配特殊电机时需加联接法兰。(见附录B)
2. When equipping the user's motor or the special one, the flange is required to connected. (Please see appendix B)

注： 1. LB、LBS、AC、AD、ADS尺寸详见附录A；
Note: 1. See appendix A for the size of LB&LBS&AC&AD&ADS;
2. 电机需方配或配特殊电机时需加联接法兰。(见附录B)
2. When equipping the user's motor or the special one, the flange is required to connected. (Please see appendix B)

SAZ77..

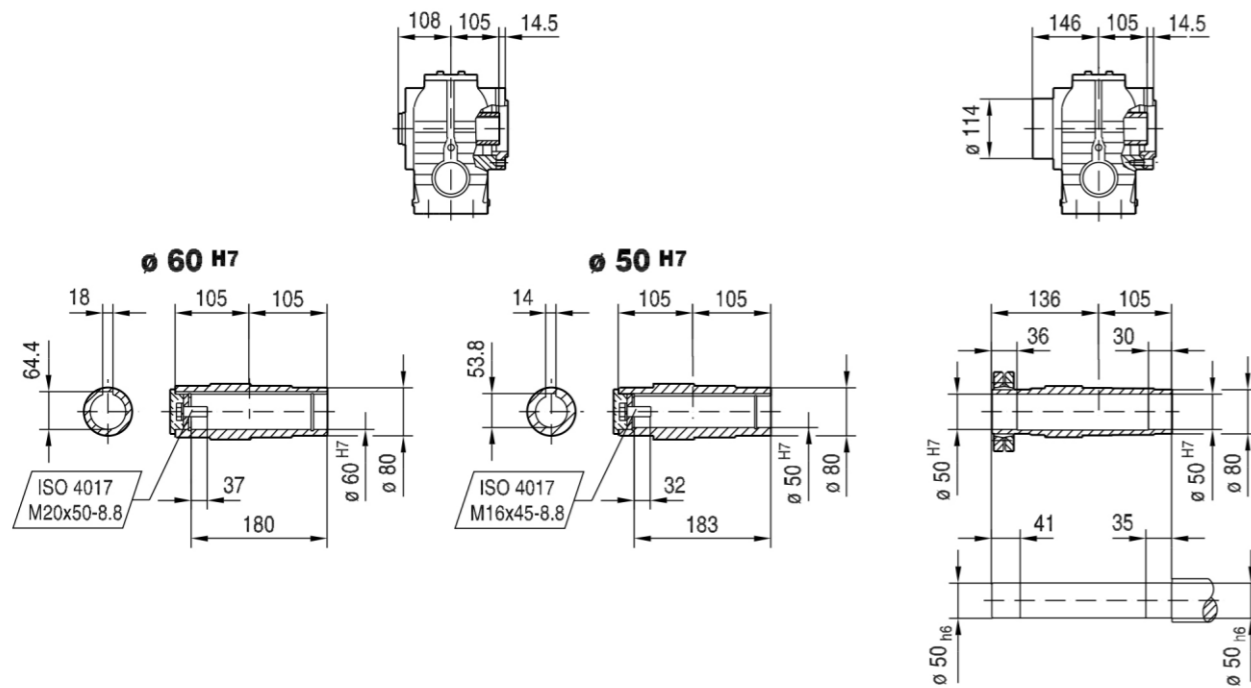


S87..



SAZ77..

SHZ77..

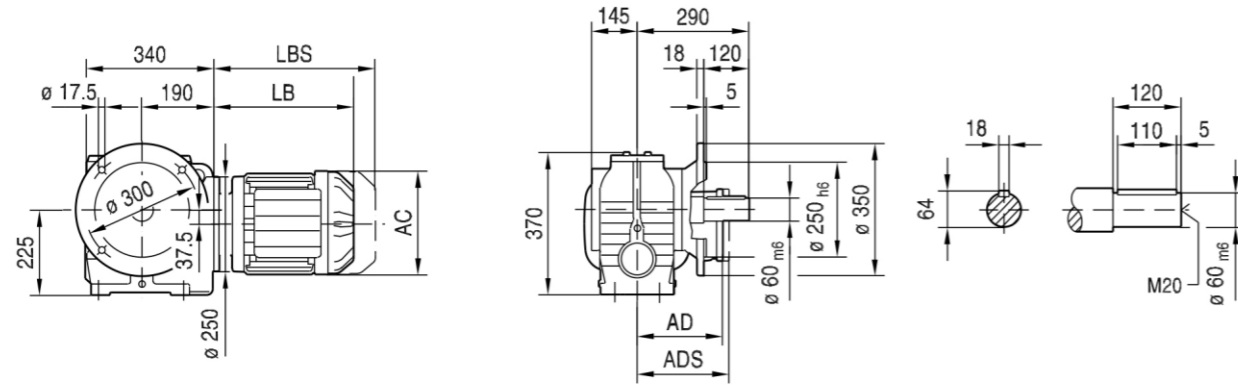


注： 1. LB、LBS、AC、AD、ADS尺寸详见附录A；
Note: 1. See appendix A for the size of LB&LBS&AC&AD&ADS;
2. 电机需方配或配特殊电机时需加联接法兰。(见附录B)
2. When equipping the user's motor or the special one, the flange is required to connected. (Please see appendix B)

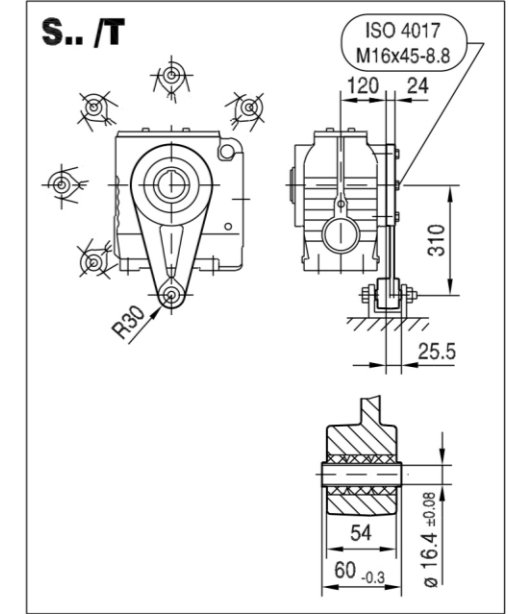
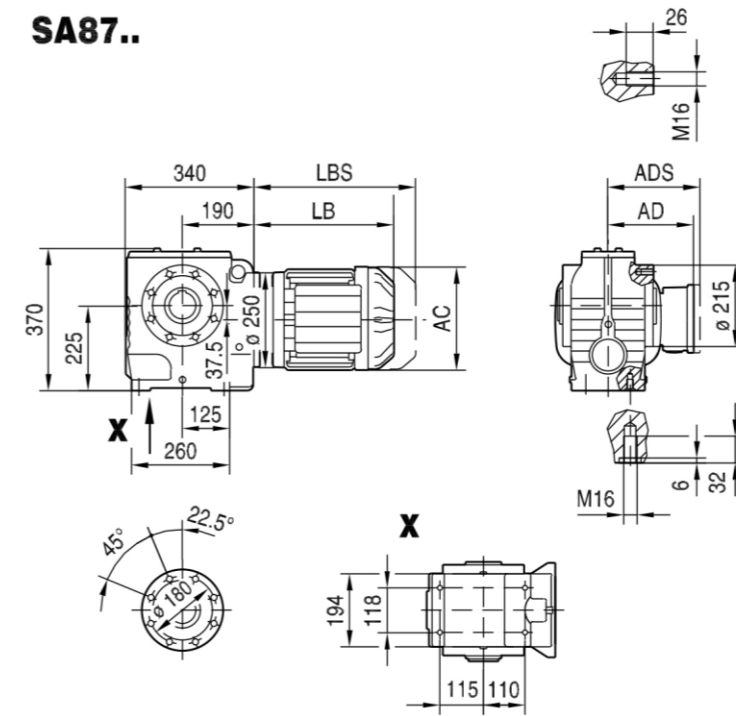
注： 1. LB、LBS、AC、AD、ADS尺寸详见附录A；
Note: 1. See appendix A for the size of LB&LBS&AC&AD&ADS;
2. 电机需方配或配特殊电机时需加联接法兰。(见附录B)
2. When equipping the user's motor or the special one, the flange is required to connected. (Please see appendix B)



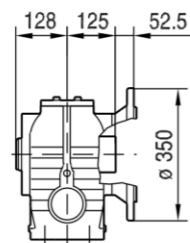
SF87..



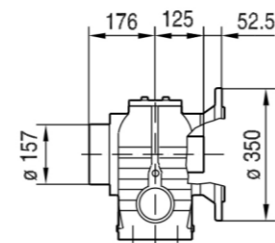
SA87..



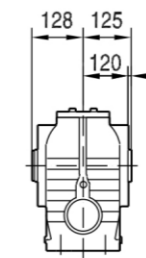
SAF87..



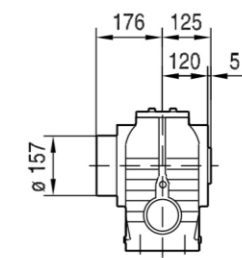
SHF87..



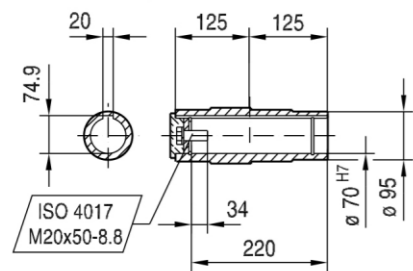
SA87..



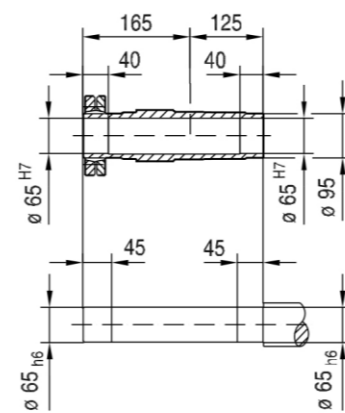
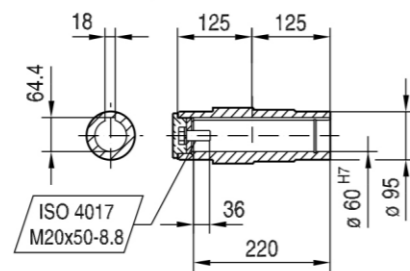
SH87..



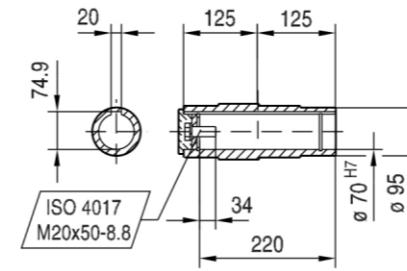
ø 70 H7



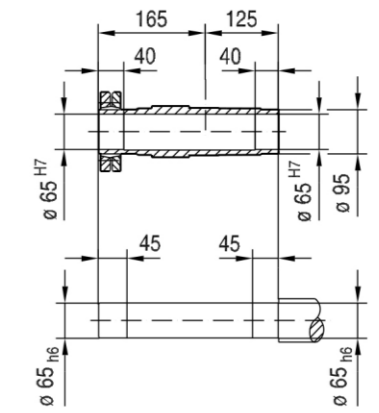
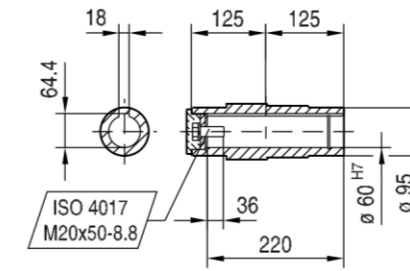
ø 60 H7



ø 70 H7



ø 60 H7

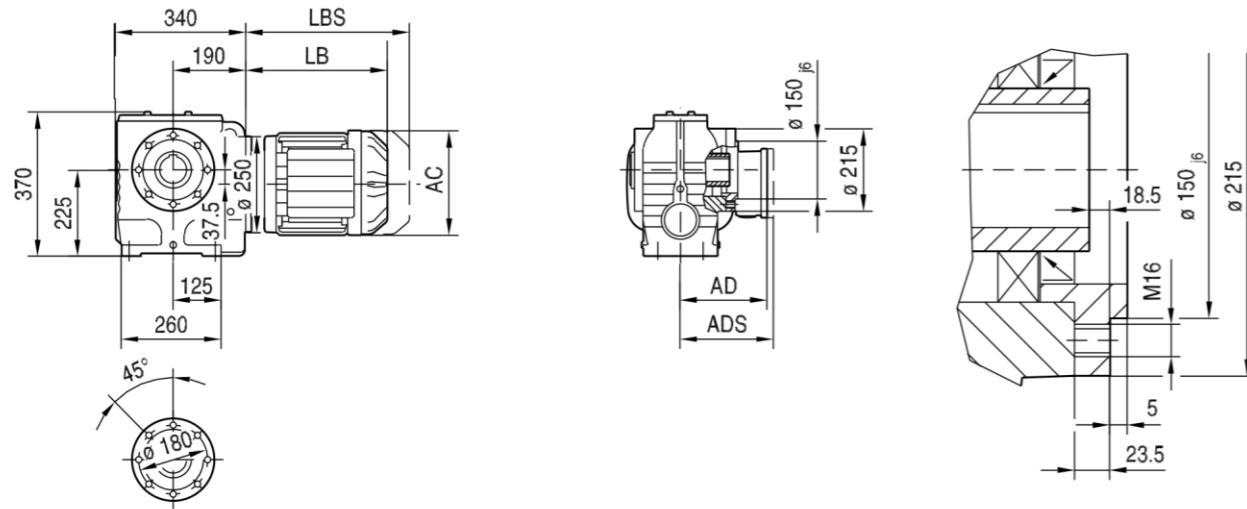


注: 1. LB、LBS、AC、AD、ADS尺寸详见附录A;
Note: 1. See appendix A for the size of LB&LBS&AC&AD&ADS;
2. 电机需方配或配特殊电机时需加联接法兰。(见附录B)
2. When equipping the user's motor or the special one, the flange is required to connected.(Please see appendix B)

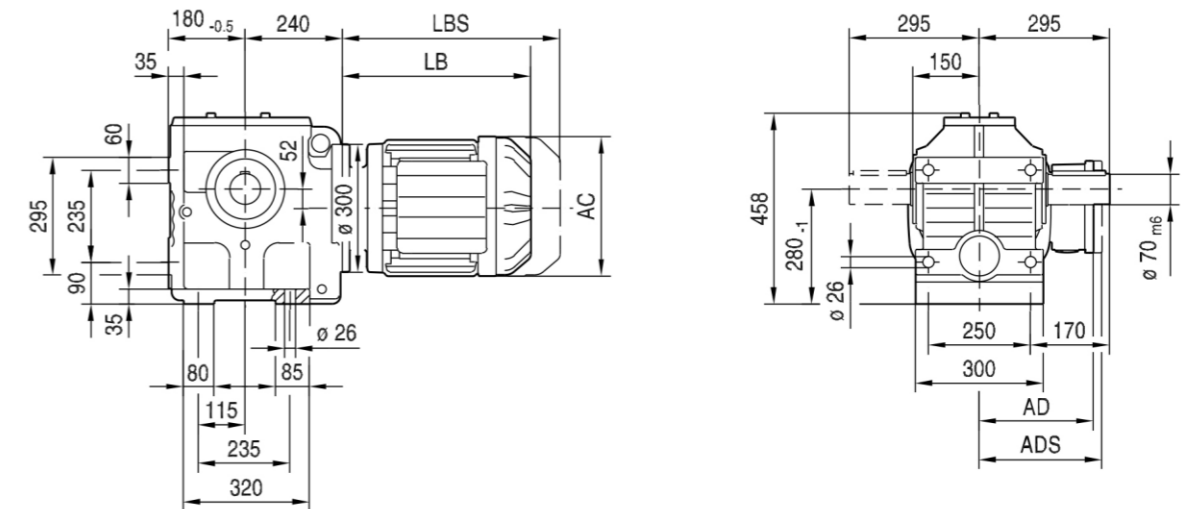
注: 1. LB、LBS、AC、AD、ADS尺寸详见附录A;
Note: 1. See appendix A for the size of LB&LBS&AC&AD&ADS;
2. 电机需方配或配特殊电机时需加联接法兰。(见附录B)
2. When equipping the user's motor or the special one, the flange is required to connected.(Please see appendix B)



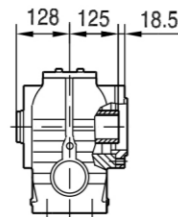
SAZ87..



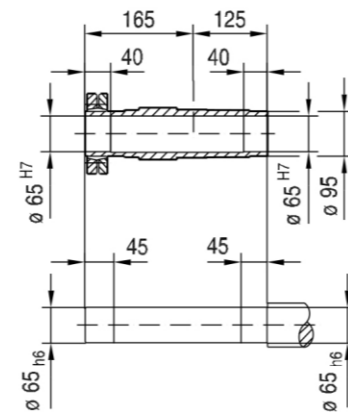
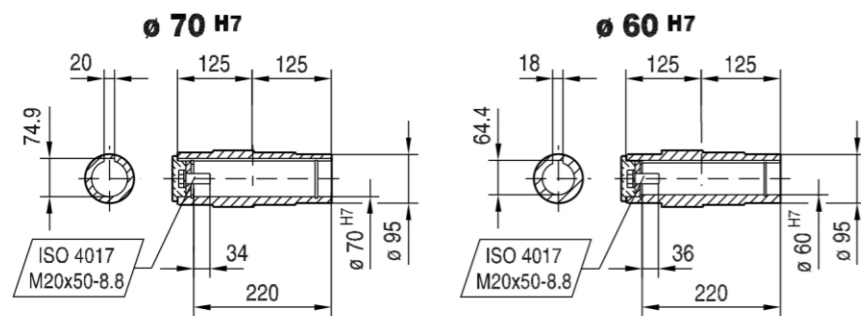
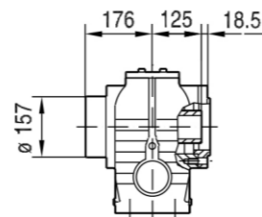
S97..



SAZ87..



SHZ87..

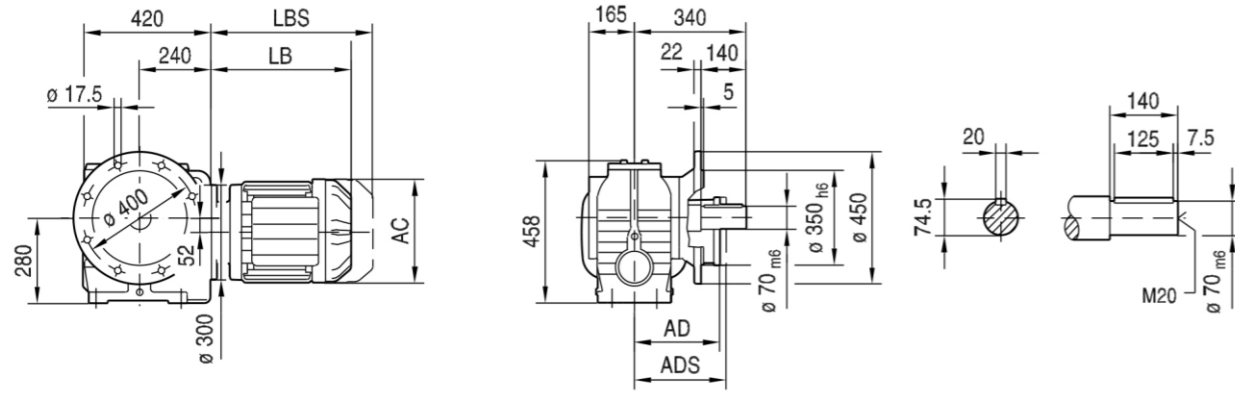


注: 1. LB、LBS、AC、AD、ADS尺寸详见附录A;
Note: 1. See appendix A for the size of LB&LBS&AC&AD&ADS;
2. 电机需方配或配特殊电机时需加联接法兰。(见附录B)
2. When equipping the user's motor or the special one, the flange is required to connected. (Please see appendix B)

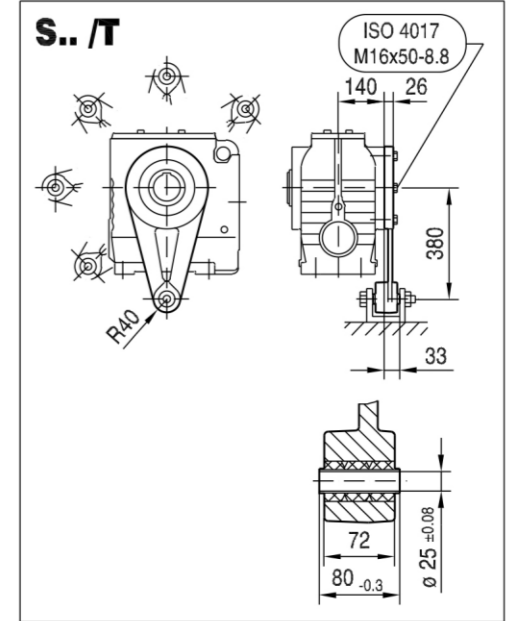
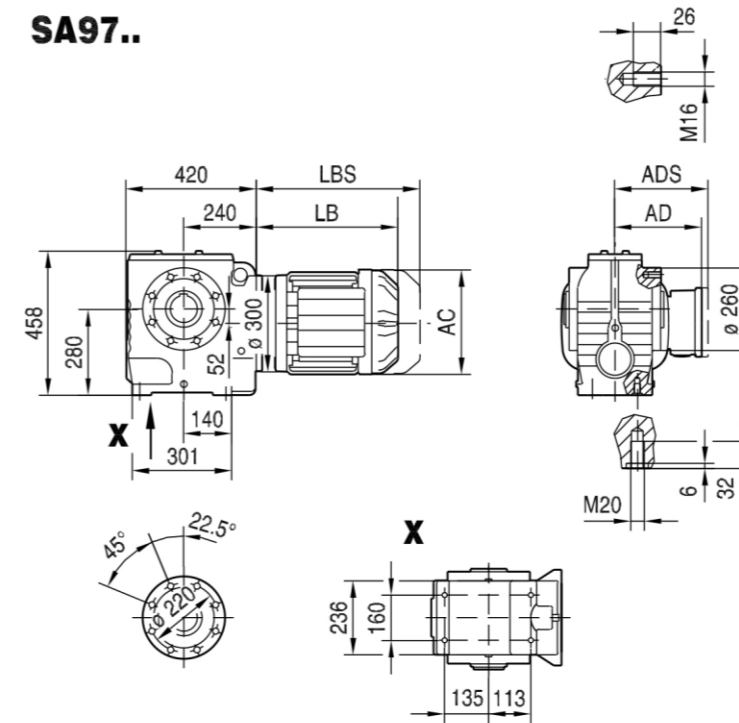
注: 1. LB、LBS、AC、AD、ADS尺寸详见附录A;
Note: 1. See appendix A for the size of LB&LBS&AC&AD&ADS;
2. 电机需方配或配特殊电机时需加联接法兰。(见附录B)
2. When equipping the user's motor or the special one, the flange is required to connected. (Please see appendix B)



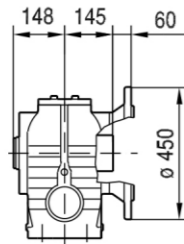
SF97..



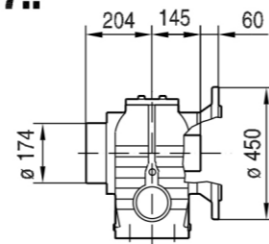
SA97..



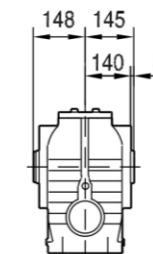
SAF97..



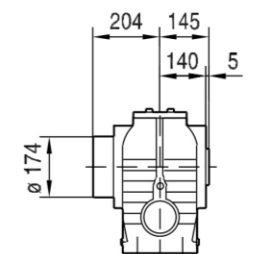
SHF97..



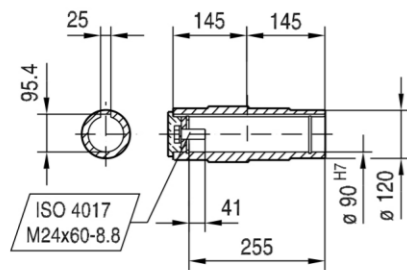
SA97..



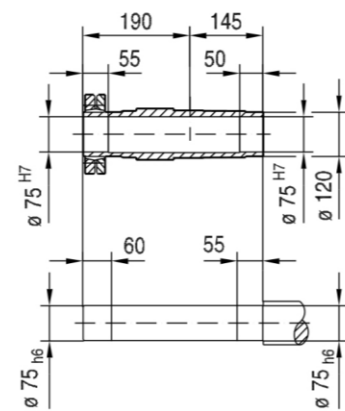
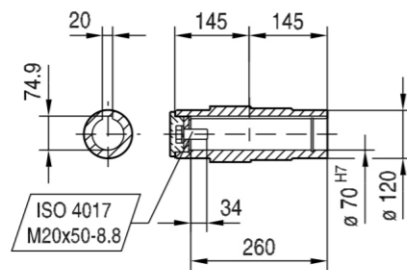
SH97..



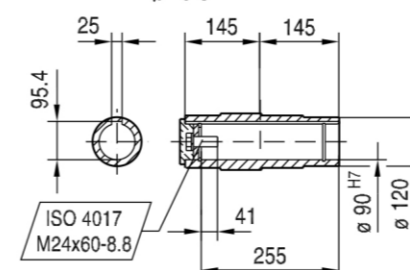
ø 90 H7



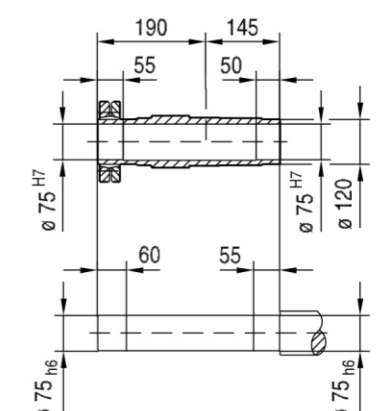
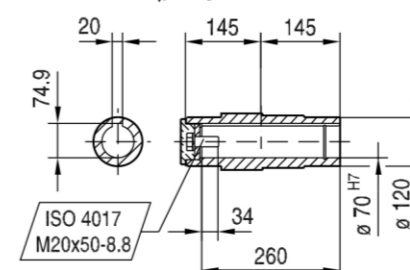
ø 70 H7



ø 90 H7



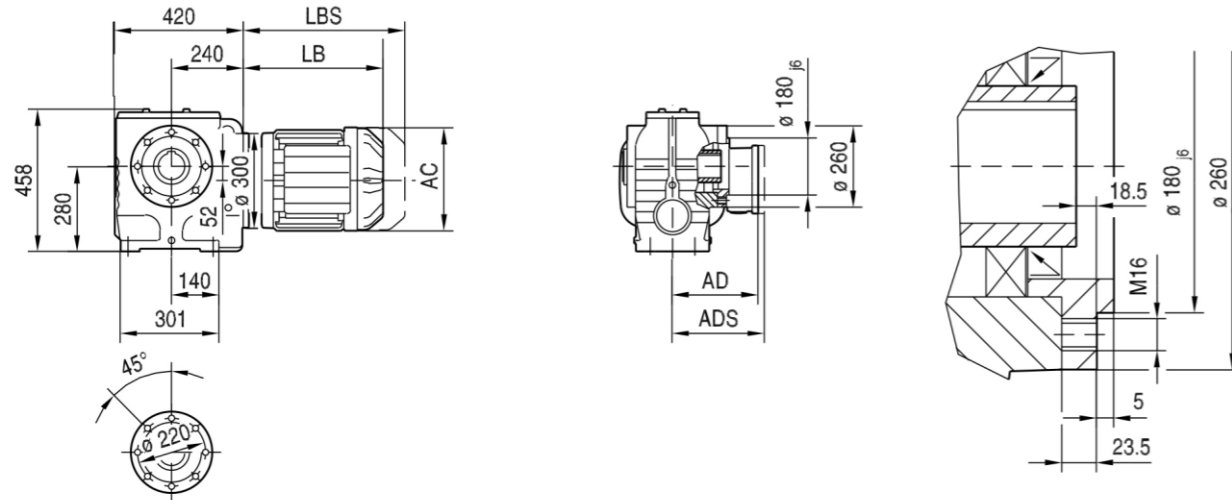
ø 70 H7



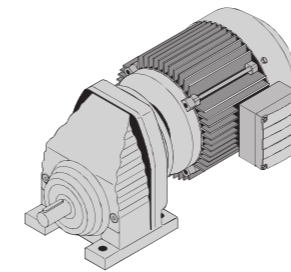
注： 1. LB、LBS、AC、AD、ADS尺寸详见附录A；
Note: 1. See appendix A for the size of LB&LBS&AC&AD&ADS;
2. 电机需方配或配特殊电机时需加联接法兰。(见附录B)
2. When equipping the user's motor or the special one, the flange is required to connected. (Please see appendix B)

注： 1. LB、LBS、AC、AD、ADS尺寸详见附录A；
Note: 1. See appendix A for the size of LB&LBS&AC&AD&ADS;
2. 电机需方配或配特殊电机时需加联接法兰。(见附录B)
2. When equipping the user's motor or the special one, the flange is required to connected. (Please see appendix B)

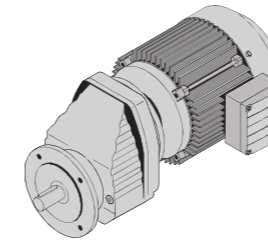
SAZ97..



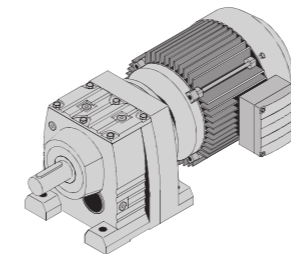
R系列产品设计方案
R series Products design



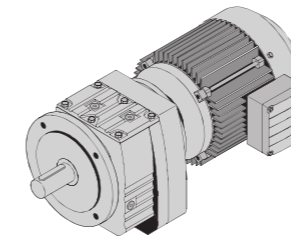
RX..Y..
底脚安装单级斜齿轮减速机
RX..Y..
Foot mounting single-stage helical gear speed reducers



RXF..Y..
法兰安装单级斜齿轮减速机
RXF..Y..
Flange mounting single-stage helical gear speed reducers

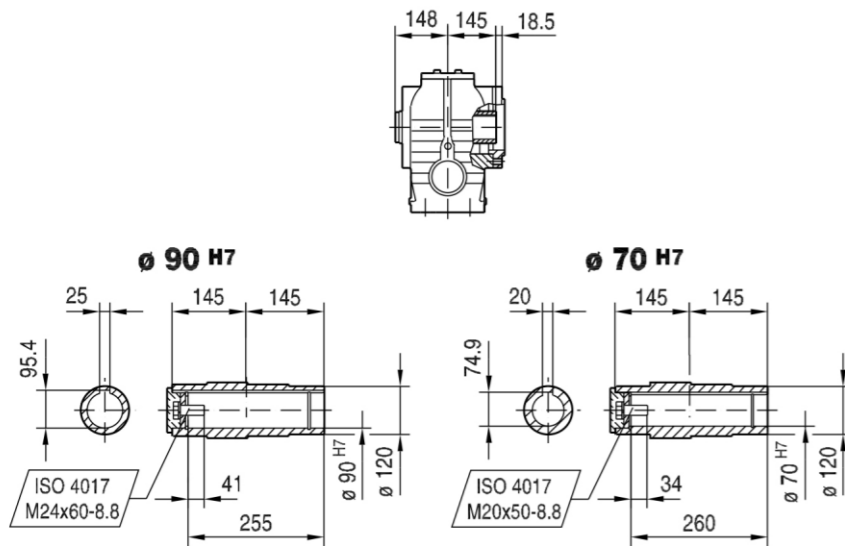


R..Y..
底脚安装斜齿轮减速机
R..Y..
Foot mounting helical gear speed reducers

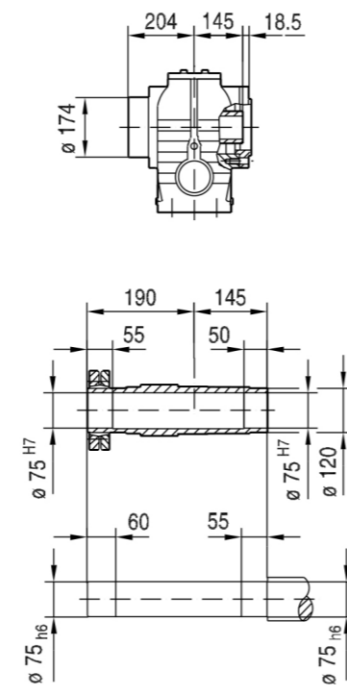


RF..Y..
法兰安装斜齿轮减速机
RF..Y..
Flange mounting helical gear speed reducers

SAZ97..



SHZ97..



注： 1. LB、LBS、AC、AD、ADS尺寸详见附录A；
Note: 1. See appendix A for the size of LB&LBS&AC&AD&ADS;
2. 电机需方配或配特殊电机时需加联接法兰。(见附录B)
2. When equipping the user's motor or the special one, the flange is required to connected.(Please see appendix B)



强珠传动·全程同步

Qiangzhu transmission, complete synchronize

K.S.R.F系列斜齿轮减速机

K.S.R.F Series helical gear speed reducers

输出转速 Output speed n ₂ [r/min]	输出转矩 Output torque T _a [N·m]	传动比 Ratio i	径向负荷 Permitted overhung load FR2 [N]	使用系数 Service factor f _B	机型号 Model
0.12kW					
0.06	14300	21342	58600	0.90	
0.08	12000	18210	64500	1.10	R 147 R77 Y63S4
0.09	10300	15923	67300	1.25	RF 147 R77 Y63S4
0.10	9440	14075	68600	1.40	
0.11	7630	12344	70700	1.70	
0.12	6780	11143	71500	1.90	
0.14	6020	9743	72200	2.2	R 147 R77 Y63S4
0.16	4960	8443	73000	2.6	RF 147 R77 Y63S4
0.19	4290	7307	73400	3.0	
0.21	3780	6447	73700	3.4	
0.25	3270	5668	73900	4.0	
0.11	8390	12921	52300	0.95	
0.12	7240	11712	54900	1.10	
0.13	6430	10573	56400	1.25	
0.16	5160	8784	58200	1.55	R 137 R77 Y63S4
0.18	4270	7479	59200	1.85	RF 137 R77 Y63S4
0.21	4060	6559	59500	1.95	
0.24	3330	5834	60100	2.4	
0.27	3180	5116	60200	2.5	
0.18	4500	7583	28300	0.95	
0.20	3850	6743	31700	1.10	
0.23	3660	5914	32500	1.20	R 107 R77 Y63S4
0.27	2950	5168	35100	1.45	RF 107 R77 Y63S4
0.31	2600	4435	36000	1.65	
0.35	2310	3896	36400	1.85	
0.45	1880	3039	36900	2.3	
0.35	2670	3918	35900	1.60	
0.41	2240	3343	36500	1.90	
0.45	2030	3034	36700	2.1	R 107 R77 Y63S4
0.52	1750	2653	37000	2.5	RF 107 R77 Y63S4
0.61	1500	2280	37200	2.9	
0.67	1300	2067	37400	3.3	
0.30	2950	4559	21300	1.00	R 97 R57 Y63S4
0.34	2500	4004	24100	1.20	RF 97 R57 Y63S4
0.40	2200	3481	25500	1.35	
0.29	3240	4678	3970	0.90	
0.32	2970	4309	21000	1.00	
0.37	2510	3702	24000	1.20	
0.46	2010	3019	26400	1.50	R 97 R57 Y63S4
0.52	1750	2668	27300	1.70	RF 97 R57 Y63S4
0.61	1440	2245	27700	2.1	
0.68	1280	2016	27900	2.3	
0.80	1160	1733	28100	2.6	
0.45	2020	3065	26300	1.50	
0.51	1790	2722	27100	1.65	
0.60	1510	2311	27600	2.0	
0.66	1360	2078	27800	2.2	R 97 R57 Y63S4
0.76	1170	1823	28100	2.6	RF 97 R57 Y63S4
0.87	1020	1583	28200	3.0	
0.99	860	1396	28300	3.5	
1.1	740	1228	28400	4.1	
0.48	1740	2873	15500	0.90	R 87 R57 Y63S4
0.70	1260	1961	18700	1.25	RF 87 R57 Y63S4
0.50	1850	2770	10700	0.85	
0.53	1730	2595	15600	0.90	R 87 R57 Y63S4
0.65	1390	2129	18000	1.10	RF 87 R57 Y63S4
0.72	1240	1930	18800	1.25	
0.80	1100	1733	19400	1.40	
0.79	1090	1737	19500	1.40	
0.91	960	1524	20000	1.60	
1.1	775	1303	20000	2.0	
1.2	680	1143	20000	2.3	R 87 R57 Y63S4
1.6	555	885	20000	2.8	RF 87 R57 Y63S4
1.8	485	776	20000	3.2	
2.0	430	685	20000	3.6	
2.3	345	599	20000	4.5	

输出转速 Output speed n ₂ [r/min]	输出转矩 Output torque T _a [N·m]	传动比 Ratio i	径向负荷 Permitted overhung load FR2 [N]	使用系数 Service factor f _B	机型号 Model
0.12kW					
0.97	950	1430	8220	0.85	
1.1	900	1303	9080	0.90	R 77 R37 Y63S4
1.2	770	1124	10400	1.05	RF 77 R37 Y63S4
1.3	715	1047	10800	1.15	
1.5	615	915	11500	1.35	
0.99	940	1394	8660	0.85	
1.1	785	1218	10200	1.05	
1.3	710	1084	10800	1.15	R 77 R37 Y63S4
1.5	635	940	11400	1.30	RF 77 R37 Y63S4
1.7	505	821	12000	1.60	
1.9	460	731	12300	1.80	
2.1	440	646	12300	1.85	
2.7	365	520	12600	2.3	
3.1	310	451	12800	2.6	R 77 R37 Y63S4
3.3	290	422	12800	2.8	RF 77 R37 Y63S4
3.8	245	365	12900	3.3	
1.4	655	956	5950	0.90	
1.5	605	891	7480	1.00	
1.9	490	730	8670	1.25	R 67 R37 Y63S4
2.1	425	644	9150	1.40	RF 67 R37 Y63S4
2.4	375	571	9490	1.60	
2.8	315	486	9820	1.90	
1.6	565	836	7980	1.05	
1.8	475	750	8790	1.25	
2.1	420	646	9190	1.40	R 67 R37 Y63S4
2.4	380	574	9450	1.55	RF 67 R37 Y63S4
2.8	330	495	9740	1.80	
3.2	275	438	9990	2.2	
1.8	525	782	5710	0.85	
2.0	440	678	7160	1.05	
2.3	395	604	7330	1.15	R 57 R37 Y63S4
2.6	360	537	7460	1.25	RF 57 R37 Y63S4
2.9	315	471	7590	1.45	
3.9	235	357	7790	1.95	
4.3	205	319	7840	2.2	
3.8	245	359	7760	1.80	
4.3	225	324	7810	2.0	
4.8	196	290	7860	2.3	R 57 R37 Y63S4
5.3	177	262	7890	2.5	RF 57 R37 Y63S4
5.6	164	246	7910	2.8	
6.3	144	220	7940	3.1	
2.4	375	572	2500	0.80	
2.7	330	510	5140	0.90	R 47 R37 Y63S4
3.2	275	436	5540	1.10	RF 47 R37 Y63S4
3.4	255	408	5630	1.15	
4.0	210	344	5810	1.40	
2.8	355	502	3780	0.85	
3.2	300	429	5430	1.00	
3.7	255	372	5640	1.15	
4.0	240	348	5710	1.25	R 47 R37 Y63S4
4.6	205	301	5840	1.50	RF 47 R37 Y63S4
5.4	169	255	5950	1.75	
6.1	150	228	6000	2.0	
7.1	125	195	6050	2.4	
4.1	220	338	4700	0.90	
4.7	205	298	4910	1.00	
5.3	176	259	5220	1.15	R 37 R17 Y63S4
6.1	155	228	5420	1.30	RF 37 R17 Y63S4
6.9	134	199	5600	1.50	
8.0	117	172	5720	1.70	
4.2	230	328	4550	0.90	
4.8	197	289	4990	1.00	
5.2	184	265	5130	1.10	R 37 R17 Y63S4
6.1	151	226	5470	1.35	RF 37 R17 Y63S4
6.8	138	202	5570	1.45	
7.7	120	179	5700	1.65	

输出转速 Output speed n ₂ [r/min]	输出转矩 Output torque T _a [N·m]	传动比 Ratio i	径向负荷 Permitted overhung load FR2 [N]	使用系数 Service factor f _B	机型号 Model
0.12kW					
6.0	152	229	4130	0.85	
6.9	132	200	4220	1.00	R 27 R17 Y63S4
7.8	116	177	4290	1.10	RF 27 R17 Y63S4
8.3	111	166	4310	1.15	
6.1	151	227	4130	0.85	
6.8	138	203	4200	0.95	R 27 R17 Y63S4
7.7	121	179	4280	1.10	RF 27 R17 Y63S4
8.8	102	156	4350	1.25	
4.6	250	195.24	12900	3.3	R 77 Y63M6
5.4	210	166.59	13000	3.9	RF 77 Y63M6
6.2	186	145.67	13000	4.4	
4.5	255	199.81	10100	2.4	
4.9	235	184.07	10100	2.6	
5.7	200	158.14	10300	3.0	R 67 Y63M6
6.5	175	137.67	10300	3.4	RF 67 Y63M6
7.0	164	128.97	10400	3.7	
7.9	145	113.94	10400	4.1	
6.9	166	199.81	10300	3.6	R 67 Y63S4
7.5	153	184.07	10400	3.9	RF 67 Y63S4
4.8	240	186.89	7780	1.90	
5.2	220	172.17	7820	2.0	
6.1	188	147.92	7870	2.4	
7.0	164	128.77	7910	2.7	R 57 Y63M6
7.5	154	120.83	7920	2.9	RF 57 Y63M6
8.4	136	106.58	7950	3.3	
9.1	126	98.99	7960	3.6	
7.4	155	186.89	7920	2.9	
8.0	143	172.17	7940	3.2	R 57 Y63S4
9.3	123	147.92	7960	3.7	RF 57 Y63S4
11	107	128.77	7980	4.2	
5.1	225	176.88	5760	1.35	
5.5	210	162.94	5830	1.45	R 47 Y63M6
6.4	178	139.99	5920	1.70	RF 47 Y63M6
7.4	155	121.87	5980	1.95	
7.8	147	176.88	6000	2.0	
8.5	135	162.94	6030	2.2	
9.9	116	139.99	6070	2.6	
11	101	121.87	6100	3.0	R 47 Y63S4
12	95	114.17	6110	3.2	RF 47 Y63S4
14	84	100.86	6120	3.6	
15	78	93.68	6130	3.9	
6.7	172	134.82	5270	1.15	
7.3	157	123.66	5410	1.25	
8.6	134	105.28	5600	1.50	R 37 Y63M6
9.9	116	90.77	5730	1.75	RF 37 Y63M6
11	108	84.61	5770	1.85	
12	94	73.96	5850	2.1	
10	112	134.82	5750	1.80	
11	103	123.66	5800	1.95	
13	87	105.28	5880	2.3	R 37 Y63S4
15	75	90.77	5930	2.7	RF 37 Y63S4
16	70	84.61	5950	2.8	
19	61	73.96	5980	3.3	
7.3	158	123.91	4090	0.80	
8.5	134	105.49	4210	0.95	
9.9	116	90.96	4300	1.10	R 27 Y63M6
11	108	84.78	4330	1.20	RF 27 Y63M6
12	94	74.11	4370	1.40	

输出转速 Output speed n ₂ [r/min]	输出转矩 Output torque T _a [N·m]	传动比 Ratio i	径向负荷 Permitted overhung load FR2 [N]	使用系数 Service factor f _B	机型号 Model
0.12kW					
10	112	135.09	4310	1.15	
11	103	123.91	4340	1.25	
13	88	105.49	4390	1.50	
15	76	90.96	4430	1.70	
16	70	84.78	4440	1.85	
19	62	74.11	4460	2.1	R 27 Y63S4
20	58	69.47	4470	2.2	RF 27 Y63S4
23	51	61.30	4400	2.5	
25	46	55.87	4280	2.8	

输出转速 Output speed n ₂ [r/min]	输出转矩 Output torque T _a [N·m]	传动比 Ratio i	径向 负荷 Permitted overhung load FR2 [N]	使用 系数 Service factor f _B	机型号 Model
0.18kW					
0.16	8590	8443	69600	1.50	
0.18	7430	7307	70900	1.75	
0.20	6560	6447	71700	2.0	
0.24	5660	5568	72500	2.3	R 147 R77 Y63M4
0.27	5120	4926	72900	2.5	RF 147 R77 Y63M4
0.31	4430	4325	73300	2.9	
0.35	3900	3754	73600	3.3	
0.40	3380	3302	73800	3.8	
0.15	8930	8784	49900	0.90	R 137 R77 Y63M4
0.18	7490	7479	54400	1.05	RF 137 R77 Y63M4
0.20	6880	6559	55600	1.15	
0.23	5840	5834	57300	1.35	
0.26	5370	5116	57900	1.50	R 137 R77 Y63M4
0.30	4540	4464	58900	1.75	RF 137 R77 Y63M4
0.34	4000	3928	59500	2.0	
0.28	5260	4709	58100	1.50	
0.33	4450	4018	59000	1.80	R 137 R77 Y63M4
0.38	3850	3514	59600	2.1	RF 137 R77 Y63M4
0.40	3640	3338	59800	2.2	
0.45	3160	2929	60200	2.5	
0.30	4510	4435	28300	0.95	R 107 R77 Y63M4
0.34	3990	3896	31100	1.10	RF 107 R77 Y63M4
0.43	3190	3039	34300	1.35	
0.34	4380	3918	29000	1.00	
0.39	3700	3343	32400	1.15	
0.44	3360	3034	33700	1.30	R 107 R77 Y63M4
0.50	2910	2653	35200	1.50	RF 107 R77 Y63M4
0.58	2500	2280	36200	1.70	
0.64	2200	2067	36500	1.95	
0.66	2050	1987	36700	2.1	
0.72	1840	1827	36900	2.3	R 107 R77 Y63M4
0.83	1580	1599	37200	2.7	RF 107 R77 Y63M4
0.94	1410	1400	37300	3.1	
1.1	1210	1226	37400	3.6	
0.49	2920	2668	21500	1.05	
0.59	2420	2245	24500	1.25	
0.65	2160	2016	25700	1.40	
0.76	1920	1733	26700	1.55	
0.81	1790	1623	27200	1.70	
0.92	1570	1434	27800	1.90	R 97 R57 Y63M4
1.1	1300	1207	27900	2.3	RF 97 R57 Y63M4
1.2	1160	1084	28100	2.6	
1.4	990	934	28200	3.0	
1.5	920	878	28300	3.2	
1.8	785	755	28400	3.8	
0.49	2980	2722	20400	1.00	R 97 R57 Y63M4
0.57	2520	2311	24000	1.20	RF 97 R57 Y63M4
0.64	2270	2078	25200	1.30	
0.76	1850	1733	10800	0.85	
0.89	1650	1489	16200	0.95	
0.95	1540	1395	17000	1.00	
1.1	1350	1232	18200	1.15	R 87 R57 Y63M4
1.1	1250	1145	18700	1.25	RF 87 R57 Y63M4
1.3	1120	1037	19300	1.40	
1.4	1000	931	19800	1.55	
1.6	850	802	20000	1.85	
0.76	1850	1737	11200	0.85	
0.87	1620	1524	16400	0.95	
1.0	1350	1303	18200	1.15	R 87 R57 Y63M4
1.2	1180	1143	19100	1.30	RF 87 R57 Y63M4
1.5	940	885	20000	1.65	
1.7	830	776	20000	1.90	
1.5	950	858	8100	0.85	
1.7	830	757	9800	1.00	R 77 R37 Y63M4
2.0	735	671	10700	1.10	RF 77 R37 Y63M4
2.3	620	571	11400	1.35	

输出转速 Output speed n ₂ [r/min]	输出转矩 Output torque T _a [N·m]	传动比 Ratio i	径向 负荷 Permitted overhung load FR2 [N]	使用 系数 Service factor f _B	机型号 Model
0.18kW					
1.6	870	821	9480	0.95	
1.8	780	731	10300	1.05	
2.0	720	646	10800	1.15	
2.4	625	560	11400	1.30	
2.7	530	488	11900	1.55	R 77 R37 Y63M4
3.0	470	436	12200	1.75	RF 77 R37 Y63M4
3.5	405	373	12500	2.0	
4.0	355	327	12800	2.3	
4.6	320	289	12800	2.6	
2.3	625	571	7260	0.95	R 67 R37 Y63M4
2.7	525	486	8350	1.15	RF 67 R37 Y63M4
2.3	635	574	7140	0.95	
2.7	545	495	8160	1.10	
3.0	465	438	8860	1.30	R 67 R37 Y63M4
3.4	415	388	9250	1.45	RF 67 R37 Y63M4
3.8	380	344	9470	1.60	
4.5	310	294	9840	1.95	
5.1	280	261	9960	2.1	
2.9	490	454	6910	0.90	R 57 R37 Y63M4
3.2	445	410	7130	1.00	RF 57 R37 Y63M4
2.8	520	471	6000	0.85	
3.7	390	357	7350	1.15	
4.1	345	319	7500	1.30	R 57 R37 Y63M4
4.8	290	273	7650	1.55	RF 57 R37 Y63M4
5.5	255	241	7750	1.75	
6.1	225	215	7800	2.0	
3.7	405	359	7280	1.10	
4.1	365	324	7430	1.25	
4.6	325	290	7560	1.40	
5.0	295	262	7650	1.55	R 57 R37 Y63M4
5.3	275	246	7700	1.65	RF 57 R37 Y63M4
6.0	240	220	7770	1.85	
7.0	205	188	7840	2.2	
8.3	172	159	7900	2.6	
4.4	335	301	4780	0.90	
5.2	285	255	5510	1.05	R 47 R37 Y63M4
5.8	250	228	5660	1.20	RF 47 R37 Y63M4
6.8	210	195	5810	1.40	
6.6	220	199	4650	0.90	R 37 R37 Y63M4
7.7	192	172	5040	1.05	RF 37 R37 Y63M4
8.8	167	150	5320	1.20	
5.8	250	226	2090	0.80	
6.5	230	202	4560	0.90	R 37 R17 Y63M4
7.4	200	179	4950	1.10	RF 37 R17 Y63M4
8.5	171	156	5270	1.15	
9.4	153	141	4120	0.85	
11	135	124	4210	0.95	R 27 R17 Y63M4
12	121	110	4280	1.10	RF 27 R17 Y63M4
14	102	94	4350	1.30	
9.8	148	135	4150	0.90	
11	134	118	4210	0.95	R 27 R17 Y63M4
13	117	104	4290	1.10	RF 27 R17 Y63M4
15	101	90	4350	1.30	
4.5	385	195.24	12500	2.1	R 77 Y63L6
5.2	330	166.59	12700	2.5	RF 77 Y63L6
6.0	290	145.67	12800	2.8	R 77 Y63L6
6.3	275	138.39	12900	3.0	R 77 Y63L6
7.2	240	121.42	12900	3.4	RF 77 Y63L6
6.8	255	195.24	12900	3.2	
7.9	215	166.59	13000	3.8	R 77 Y63M4
9.1	190	145.67	13000	4.3	RF 77 Y63M4
9.5	180	138.39	13000	4.6	

输出转速 Output speed n ₂ [r/min]	输出转矩 Output torque T _a [N·m]	传动比 Ratio i	径向 负荷 Permitted overhung load FR2 [N]	使用 系数 Service factor f _B	机型号 Model
0.18kW					
4.3	395	199.81	9370	1.50	
4.7	365	184.07	9560	1.65	
5.5	310	158.14	9830	1.90	
6.3	270	137.67	10000	2.2	
6.8	255	128.97	10100	2.3	
7.6	225	113.94	10200	2.7	R 67 Y63L6
8.2	210	105.83	10200	2.9	RF 67 Y63L6
9.1	190	95.91	10300	3.2	
10	170	86.11	10300	3.5	
12	147	74.17	10400	4.1	
12	138	69.75	10400	4.3	
6.6	260	119.81	10100	2.3	
7.2	240	184.07	10100	2.5	
8.4	205	158.14	10200	2.9	R 67 Y63M4
9.6	179	137.67	10300	3.3	RF 67 Y63M4
10	168	128.97	10300	3.6	
12	148	113.94	10400	4.0	
12	138	105.83	10400	4.3	
4.7	370	186.89	7420	1.20	
5.1	340	172.17	7510	1.30	
5.9	290	147.92	7650	1.55	R 57 Y63L6
6.8	255	128.77	7740	1.75	RF 57 Y63L6
7.2	240	120.63	7780	1.90	
7.1	245	186.89	7770	1.85	
7.7	225	172.17	7810	2.0	
8.9	193	147.92	7870	2.3	
10	168	128.77	7900	2.7	R 57 Y63M4
11	157	120.63	7920	2.9	RF 57 Y63M4
12	139	106.58	7940	3.2	
13	129	98.99	7950	3.5	
15	117	89.71	7970	3.8	
7.5	230	176.88	5740	1.30	
8.1	210	162.94	5810	1.40	
9.4	182	139.99	5910	1.65	
11	159	121.87	5980	1.90	
12	149	114.17	6000	2.0	R 47 Y63M4
13	131	100.86	6040	2.3	RF 47 Y63M4
14	122	93.88	6060	2.5	
16	111	84.90	6080	2.7	
17	99	76.23	6100	3.0	
7.0	245	123.66	3060	0.80	
8.3	210	105.28	4840	0.95	R 37 Y63L6
9.6	179	90.77	5190	1.10	RF 37 Y63L6
10	167	84.61	5310	1.20	
9.8	176	134.82	5230	1.15	
11	161	123.66	5370	1.25	
13	137	105.28	5580	1.45	
15	118	90.77	5710	1.70	
16	110	84.61	5760	1.80	R 37 Y63M4
18	96	73.96	5840	2.1	RF 37 Y63M4
19	90	69.33	5870	2.2	
22	80	61.18	5920	2.5	
24	73	55.76	5940	2.8	
27	63	48.08	5960	3.2	

输出转速 Output speed n ₂ [r/min]	输出转矩 Output torque T _a [N·m]	传动比 Ratio i	径向 负荷 Permitted overhung load FR2 [N]	使用 系数 Service factor f _B	机型号 Model
0.18kW					
11	161	123.91	4070	0.80	
13	137	105.49	4200	0.95	
15	118	90.96	4280	1.10	
16	110	84.78	4320	1.20	
18	97	74.11	4370	1.35	
19	91	69.47	4380	1.45	
22	80	61.30	4320	1.65	R 27 Y63M4
24	73	55.87	4210	1.80	RF 27 Y63M4
27	63	48.17	4040	2.1	
29	59	44.90	3960	2.2	
34	51	39.25	3810	2.5	
36	48	36.79	3740	2.7	
41	42	32.47	3610	3.1	
46	38	28.78	3480	3.5	
54	32	24.47	3310	4.1	
47	37	28.37	3470	3.5	
51	34	26.09	3380	3.8	
59					



输出转速 Output speed n_2 [r/min]	输出转矩 Output torque T_a [N·m]	传动比 Ratio i	径向负荷 Permitted overhung load FR2 [N]	使用系数 Service factor f _B	机型号 Model	
0.18kW						
218	7.9	6.07	4310	5.4	RXF 67 Y63M4	
255	6.7	5.18	4090	11		
292	5.9	4.53	3920	14		
307	5.6	4.30	3850	14		
350	4.9	3.77	3690	18		
413	4.2	3.20	3500	24		
457	3.8	2.89	3380	28		
519	3.3	2.54	3240	36		
550	3.1	2.40	3180	40		
646	2.7	2.04	3020	50		
158	11	5.50	3880	3.6		RX 57 Y63L6
172	10	5.07	3780	3.6		
200	8.6	4.35	3600	7.9		
230	7.5	3.79	3440	9.2		
240	7.2	5.50	3400	5.4	RXF 57 Y63M4	
261	6.6	5.07	3310	5.4		
303	5.7	4.35	3150	12		
348	4.9	3.79	3010	14		
372	4.6	3.55	2950	15		
421	4.1	3.14	2830	16		
453	3.8	2.91	2760	18		
500	3.4	2.64	2670	20		
557	3.1	2.37	2580	22		
647	2.7	2.04	2460	26		
688	2.5	1.92	2410	28		
799	2.2	1.65	2290	31		
0.25kW						
0.13	15000	9743	50700	0.85	R 147 R77 Y63L4	
0.15	12700	8443	63200	1.00		
0.18	11000	7307	66300	1.20		
0.20	9700	6447	68200	1.35		
0.23	8380	5668	69900	1.55		
0.26	7520	4926	70800	1.75		
0.30	6540	4325	71800	2.0		
0.35	5730	3754	72400	2.3		
0.39	4990	3302	73000	2.6		
0.45	4360	2898	73300	3.0		
0.22	8680	5834	51000	0.90		R 137 R77 Y63L4
0.25	7860	5116	53700	1.00		
0.29	6720	4464	55900	1.20		
0.33	5910	3928	57200	1.35		
0.28	7600	4709	54200	1.05	R 137 R77 Y63L4	
0.32	6440	4018	56300	1.25		
0.37	5590	3514	57600	1.45		
0.39	5290	3338	58000	1.50		
0.44	4610	2929	58900	1.75		
0.49	4090	2658	59400	1.95		
0.54	3710	2412	59800	2.2	R 137 R77 Y63L4	
0.63	3190	2073	60200	2.5		
0.71	2760	1839	60500	2.9		
0.83	2130	1397	60900	3.8		
1.1	1850	1226	61000	4.3		
0.43	4670	3039	27300	0.90		R 107 R77 Y63L4
0.43	4670	3039	27300	0.90		
0.43	4860	3034	20600	0.90		R 107 R77 Y63L4
0.43	4860	3034	20600	0.90		
0.65	3030	1987	34800	1.40	R 107 R77 Y63L4	
0.71	2740	1827	35700	1.55		
0.81	2370	1599	36300	1.80		
0.93	2100	1400	36700	2.0		
1.1	1810	1226	37000	2.4		
1.4	1410	939	37300	3.0		
1.6	1220	822	37400	3.5		
0.64	3180	2016	12400	0.95	R 97 R57 Y63L4	
0.75	2780	1733	22500	1.10		
0.80	2590	1623	23600	1.15		

输出转速 Output speed n_2 [r/min]	输出转矩 Output torque T_a [N·m]	传动比 Ratio i	径向负荷 Permitted overhung load FR2 [N]	使用系数 Service factor f _B	机型号 Model	
0.25kW						
0.71	2870	1823	21800	1.05	R 97 R57 Y63L4	
0.82	2490	1583	24100	1.20		
0.93	2160	1396	25700	1.40		
1.1	1880	1228	26800	1.60		
1.2	1700	1069	27400	1.75		
1.4	1480	938	27700	2.0		
1.6	1260	824	27900	2.4		
1.8	1130	737	28100	2.7		
2.1	970	632	28300	3.1		
1.1	1810	1145	13800	0.85		R 87 R57 Y63L4
1.2	1630	1037	16300	0.95		
1.4	1460	931	17500	1.05		
1.6	1250	802	18700	1.25		
1.1	1750	1143	15400	0.90	R 87 R57 Y63L4	
1.5	1380	885	18000	1.10		
1.7	1210	776	18900	1.30		
1.9	1070	685	19600	1.45		
2.2	900	599	20000	1.70		
2.5	795	525	20000	1.95		
2.8	695	456	20000	2.2		
4.9	405	268	20000	3.8		
2.3	900	571	9110	0.90	R 77 R37 Y63L4	
2.3	900	571	9110	0.90		
2.3	900	560	9110	0.90	R 77 R37 Y63L4	
2.7	775	488	10300	1.05		
3.0	690	436	11000	1.20		
3.5	590	373	11600	1.40		
4.0	520	327	12000	1.60		
4.5	460	289	12300	1.80		
5.0	410	260	12400	2.0		
5.8	345	224	12700	2.4		
3.3	605	388	7490	1.00		R 67 R37 Y63L4
3.8	550	344	8120	1.10		
4.4	455	294	8950	1.30		
5.0	410	261	9260	1.45		
5.8	370	234	9520	1.60		
6.5	315	200	9820	1.90		
7.4	270	176	10000	2.2		
8.2	245	158	10100	2.5		
3.4	630	384	7220	0.95	R 67 R37 Y63L4	
3.6	585	359	7730	1.05		
4.2	505	310	8560	1.20		
4.9	425	264	9180	1.40		
5.5	375	235	9480	1.60		
6.5	320	201	9790	1.90		
7.2	290	181	9940	2.1		
4.1	505	319	6590	0.90		R 57 R37 Y63L4
4.8	425	273	7200	1.05		
5.4	375	241	7410	1.20		
6.1	335	215	7540	1.35		
6.9	295	187	7650	1.55		
7.9	255	164	7740	1.75		
9.2	220	142	7810	2.0		
4.0	530	324	5580	0.85	R 57 R37 Y63L4	
4.5	470	290	7010	0.95		
5.0	425	262	7210	1.05		
5.3	395	246	7320	1.15		
5.9	355	220	7470	1.30		
5.7	365	228	3070	0.80		R 47 R37 Y63L4
6.7	310	195	5370	0.95		
7.1	290	182	5480	1.05		
8.5	240	154	5700	1.25		
8.7	240	150	3420	0.85	R 37 R17 Y63L4	
10	205	130	4870	0.95		
10	196	124	5000	1.00		
12	174	110	5250	1.15		
14	148	94	5490	1.35		

输出转速 Output speed n_2 [r/min]	输出转矩 Output torque T_a [N·m]	传动比 Ratio i	径向负荷 Permitted overhung load FR2 [N]	使用系数 Service factor f _B	机型号 Model	
0.25kW						
8.4	250	156	2350	0.80	R 37 R17 Y63L4	
9.7	215	135	4740	0.95		
10	210	127	4840	0.95		
13	169	104	5290	1.20		
14	146	90	5500	1.35		
2.3	1020	289.74	28200	3.0		R 97 Y80S8
2.7	900	255.71	28300	3.3		
2.8	850	241.25	28400	3.5		
3.1	760	216.28	28400	4.0		
2.8	870	246.54	20000	1.80		R 87 Y80S8
3.1	760	216.54	20000	2.0		
3.3	720	205.71	20000	2.2		
3.7	640	181.77	20000	2.4		
4.1	585	166.59	11600	1.40	R 77 Y80S8	
4.7	510	145.67	12000	1.60		
4.9	485	138.39	12100	1.70		
5.6	425	121.42	12400	1.90		
4.5	530	195.24	11900	1.55		R 77 Y71M6
5.3	450	166.59	12300	1.80		
6.0	395	145.67	12500	2.1	R 77 Y63L4	
6.7	360	195.24	12600	2.3		
7.8	305	166.59	12800	2.7		
8.9	270	145.67	12900	3.1		
9.4	255	138.39	12900	3.2		
11	225	121.42	13000	3.7		
4.3	555	158.14	8060	1.10		R 67 Y80S8
4.9	485	137.67	8730	1.25		
5.3	455	128.97	8970	1.35		
6.0	400	113.94	9340	1.50		
4.4	540	199.81	8190	1.10	R 67 Y71M6	
4.8	500	184.07	8590	1.20		
5.6	430	158.14	9140	1.40		
6.4	375	137.67	9500	1.60		
6.8	350	128.97	9630	1.70		
7.7	310	113.94	9840	1.95		
8.3	285	105.83	9940	2.1		
6.5	365	199.81	9540	1.65		R 67 Y63L4
7.1	340	184.07	9700	1.80		
8.2	290	158.14	9930	2.1		
9.4	255	137.67	10100	2.4		
10	235	128.94	10100	2.5		
11	210	113.94	10200	2.9		
12	194	105.83	10300	3.1		
14	176	95.91	10300	3.4		
15	158	86.11	10400	3.8		
4.7	505	186.89	6450	0.90	R 57 Y71M6	
5.1	465	172.17	7030	0.95		
5.9	400	147.92	7300	1.10		
6.8	350	128.77	7480	1.30		
7.3	325	120.83	7550	1.35		
8.3	290	108.58	7660	1.55		
8.9	270	98.99	7710	1.70		
7.0	345	186.89	7500	1.30		R 57 Y63L4
7.8	315	172.17	7590	1.40		
8.8	270	147.92	7700	1.65		
10	235	128.77	7780	1.90		
11	220	120.63	7810	2.0		
12	196	106.58	7860	2.3		
13	182	98.99	7880	2.5		
14	165	89.71	7910	2.7		
16	148	80.55	7930	3.0		
19	127	69.23	7960	3.5		

输出转速 Output speed n_2 [r/min]	输出转矩 Output torque T_a [N·m]	传动比 Ratio i	径向负荷 Permitted overhung load FR2 [N]	使用系数 Service factor f _B	机型号 Model	
0.25kW						
7.3	325	176.88	5280	0.90	R 47 Y63L4	
8.0	300	162.94	5420	1.00		
9.3	255	139.99	5630	1.15		
11	225	121.87	5770	1.35		
11	210	114.17	5820	1.45		
13	185	100.86	5900	1.60		
14	172	93.68	5940	1.75		
15	156	84.90	5980	1.90		
17	140	76.23	6020	2.1		
19	126	68.54	6050	2.4		
20	118	64.21	6070	2.5		
23	104	56.73	6090	2.9		
25	97	52.69	6100	3.1		
27	88	47.75	6080	3.4		
9.6	250	134.82	2630	0.80		R 37 Y63L4
11	225	123.66	4560	0.90		
12	193	105.28	5030	1.05		
14	167	90.77	5320	1.20		
15	155	84.61	5420	1.30		
18	136	73.96	5590	1.45		
1						



强珠传动·全程同步

Qiangzhu transmission, complete synchronize

K.S.R.F系列斜齿轮减速机

K.S.R.F Series helical gear speed reducers

输出转速 Output speed n_2 [r/min]	输出转矩 Output torque T_a [N·m]	传动比 Ratio i	径向负荷 Permitted load FR2 [N]	使用系数 Service factor fB	机型号 Model
0.25kW					
52	46	25.23	2020	1.85	Y63L4
56	43	23.15	1980	2.0	
66	36	19.71	1910	2.3	
77	31	16.99	1840	2.7	
82	29	15.84	1810	2.9	
94	25	13.84	1750	3.3	
100	24	12.98	1720	3.6	
114	21	11.45	1660	3.9	
128	19	10.15	1600	4.1	
151	16	8.63	1530	4.6	
172	14	7.55	1450	4.0	
185	13	7.04	1420	4.3	
211	11	6.15	1370	4.8	
226	11	5.76	1350	5.0	
256	9.3	5.09	1300	5.5	
288	8.3	4.51	1250	5.8	
339	7.0	3.83	1190	6.4	
433	5.5	6.15	1110	9.8	Y63M2
461	5.2	5.76	1090	10	
523	4.6	5.09	1050	11	
590	4.0	4.51	1010	12	
694	3.4	3.83	960	13	
145	17	6.07	4890	2.6	Y71M6
170	14	5.18	4650	5.4	
194	12	4.53	4450	6.7	
205	12	4.30	4380	6.8	
214	11	6.07	4310	3.9	Y63L4
251	9.5	5.18	4100	7.9	
287	8.3	4.53	3920	9.9	
302	7.9	4.30	3860	10	
345	6.9	3.77	3700	13	
406	5.9	3.20	3500	17	
450	5.3	2.89	3390	20	
511	4.7	2.54	3250	25	
542	4.4	2.40	3190	28	
636	3.8	2.04	3020	35	
160	15	5.50	3840	2.6	
174	14	5.07	3740	2.6	
202	12	4.35	3560	5.8	
232	10	3.79	3410	6.7	
236	10	5.50	3390	3.9	Y63L4
257	9.3	5.07	3300	3.9	
299	8.0	4.35	3150	8.5	
343	7.0	3.79	3010	9.9	
366	6.5	3.55	2950	11	
414	5.8	3.14	2830	11	
446	5.3	2.91	2760	13	
492	4.8	2.64	2680	14	
548	4.4	2.37	2580	16	
637	3.7	2.04	2460	19	
677	3.5	1.92	2410	20	
787	3.0	1.65	2300	23	
0.37kW					
0.19	15800	7307	39000	0.80	Y71M4
0.21	14000	6447	60600	0.95	
0.25	12100	5568	64400	1.10	
0.28	10800	4926	66600	1.20	
0.32	9400	4325	68600	1.40	
0.37	8210	3754	70100	1.60	
0.42	7180	3302	71200	1.80	
0.48	6280	2898	72000	2.1	
0.31	9670	4464	40700	0.85	
0.35	8510	3928	51800	0.95	
0.34	9140	4018	48900	0.90	
0.39	7950	3514	53500	1.00	
0.41	7540	3338	54300	1.05	
0.47	6580	2929	56100	1.20	
0.56	5540	2484	57700	1.45	
0.62	4980	2242	58400	1.60	

输出转速 Output speed n_2 [r/min]	输出转矩 Output torque T_a [N·m]	传动比 Ratio i	径向负荷 Permitted load FR2 [N]	使用系数 Service factor fB	机型号 Model	
0.37kW						
0.52	5880	2658	57200	1.35	Y71M4	
0.57	5330	2412	58000	1.50		
0.67	4680	2073	58900	1.75		
0.75	3990	1839	59500	2.0		
0.99	3070	1397	60300	2.6		
1.1	2670	1226	60600	3.0		
1.3	2400	1090	60700	3.3		
1.5	2090	951	60900	3.8		
0.67	4610	2067	27700	0.95		Y71M4
0.82	3780	1693	32100	1.15		
0.89	3410	1550	33500	1.25		
0.98	3090	1407	34600	1.40		
1.1	2660	1209	35900	1.60		
1.3	2320	1055	36400	1.85		
0.69	4370	1987	29100	1.00	Y71M4	
0.76	3970	1827	31100	1.10		
0.86	3440	1599	33400	1.25		
0.99	3040	1400	34800	1.40		
1.1	2640	1226	36000	1.65		
1.5	2040	939	36700	2.1		
1.7	1770	822	37000	2.4		
0.96	3240	1434	4430	0.95		Y71M4
1.1	2710	1207	22900	1.10		
1.3	2430	1084	24500	1.25		
0.99	3100	1396	15400	0.95		Y71M4
1.1	2710	1228	22900	1.10		
1.3	2410	1069	24500	1.25		
1.5	2110	938	25900	1.40		
1.7	1820	824	27100	1.65		
1.9	1630	737	27500	1.85		
2.2	1390	632	27800	2.2		
3.2	960	431	28300	3.1		
3.6	840	379	28400	3.6		
4.1	745	336	28400	4.0		
1.7	1780	802	15100	0.85	Y71M4	
1.8	1670	754	16000	0.95		
2.1	1430	649	17700	1.10		
1.8	1730	776	15500	0.90	Y71M4	
2.0	1530	685	17100	1.00		
2.3	1310	599	18400	1.20		
2.6	1150	525	19200	1.35		
3.0	1000	456	19800	1.55		
5.2	585	268	20000	2.7		
5.8	515	236	20000	3.0		
2.6	1230	538	18800	1.25		Y71M4
2.9	1080	472	19500	1.45		
3.5	910	400	20000	1.70		
3.8	810	361	20000	1.90		
3.2	980	436	5390	0.85	Y71M4	
3.7	840	373	9720	0.95		
4.2	740	327	10600	1.10		
4.8	655	289	11200	1.25		
5.3	585	260	11600	1.40		
6.2	500	224	12100	1.65		
7.0	435	197	12400	1.90		
8.1	380	169	12600	2.2		
9.3	335	149	12700	2.5		
4.7	650	294	6230	0.90		Y71M4
5.3	585	261	7710	1.00		
5.9	525	234	8340	1.15		
6.9	450	200	9010	1.35		
2.7	1330	255.71	27900	2.3	Y90S8	
2.8	1250	241.25	28000	2.4		
3.1	1120	216.28	28100	2.7		
3.7	970	186.30	28300	3.1		

输出转速 Output speed n_2 [r/min]	输出转矩 Output torque T_a [N·m]	传动比 Ratio i	径向负荷 Permitted load FR2 [N]	使用系数 Service factor fB	机型号 Model	
0.37kW						
3.1	1140	289.74	28100	2.6	Y80S6	
3.5	1000	255.71	28200	3.0		
3.7	950	241.25	28300	3.2		
4.2	850	216.28	28400	3.5		
3.1	1130	216.54	19300	1.40		Y90S8
3.3	1070	205.71	19600	1.45		
3.7	940	181.77	20000	1.65		
3.7	970	246.54	20000	1.60	Y80S6	
4.2	850	216.54	20000	1.80		
4.4	810	205.71	20000	1.90		
4.9	715	181.77	20000	2.2		
5.8	610	155.34	20000	2.5		
6.3	560	142.41	20000	2.8		
4.7	755	145.67	10500	1.10		Y90S8
4.9	720	138.39	10800	1.15		
5.8	630	121.42	11400	1.30		
5.4	655	166.59	11200	1.25	Y80S6	
6.2	570	145.67	11700	1.45		
6.5	545	138.39	11900	1.50		
7.1	500	195.24	12100	1.65		Y71M4
8.3	425	166.59	12400	1.90		
9.5	375	145.67	12600	2.2		
10	355	138.39	12600	2.3		
11	310	121.42	12800	2.6	Y71M4	
13	285	102.99	12900	3.1		
15	240	92.97	12900	3.5		
5.7	620	158.14	7300	0.95		Y80S6
6.5	540	137.67	8210	1.10		
7.0	505	128.97	8530	1.20		
7.9	445	113.94	9010	1.35		
6.9	510	199.81	8480	1.15	Y71M4	
7.5	470	184.07	8820	1.25		
8.7	405	158.14	9310	1.50		
10	355	137.67	9620	1.70		
11	330	128.97	9740	1.80		
12	290	113.94	9920	2.1		
13	270	105.83	10000	2.2		
14	245	95.91	10100	2.4		
16	220	88.11	10200	2.7		
19	190	74.17	10300	3.2		
20	179	69.75	10300	3.4		
23	157	61.26	10400	3.8		
24	146	56.89	10400	4.1		
7.0	505	128.77	6510	0.90	Y80S6	
7.5	475	120.83	7000	0.95		
8.4	420	106.58	7240	1.10		
9.1	390	98.99	7350	1.15		
7.4	480	186.89	6980	0.95		Y71M4
8.0	440	172.17	7140	1.00		
9.3	380	147.92	7390	1.20		
11	330	128.77	7550	1.35		
11	310	120.63	7610	1.45		
13	275	106.58	7700	1.65		
14	255	98.99	7750	1.80		
15	230	89.71	7800	1.95		
17	205	80.55	7840	2.2		
20	177	69.23	7890	2.5		
21	166	64.85	7910	2.7		
24	147	57.29	7760	3.1		
26	136	53.22	7600	3.3		
29	124	48.23	7380	3.6		
49	73	28.37	3240	1.80	Y71M4	
53	67	26.09	3170	1.95		
62	57	22.32	3040	2.3		
71	50	19.35	2920	2.6		
76	46	18.08	2860	2.8		
88	40	15.63	2750	3.2		
104	34	13.28	2620	3.8		
36	99	38.61	770	0.85		Y71M4
38	93	36.20	1260	0.90		
43	82	31.94	1910	1.05		
49	73	28.32	1880	1.15		
57	62	24.07	1830	1.40		

输出转速 Output speed n_2 [r/min]	输出转矩 Output torque T_a [N·m]	传动比 Ratio i	径向负荷 Permitted load FR2 [N]	使用系数 Service factor fB	机型号 Model
0.37kW					
9.9	360	139.99	3490	0.85	Y71M4
11	310	121.87	5350	0.95	
12	290	114.17	5460	1.05	
14	260	100.86	5630	1.15	
15	240	93.68	5700	1.25	
16	215	84.90	5790	1.40	
18	195	76.23	5870	1.55	
20	176	68.54	5930	1.70	
21	164	64.21	5960	1.80	
24	145	56.73	6010	2.1	
26	135	52.69	5990	2.2	
29	122	47.75	5820	2.5	
32	110	42.87	5650	2.7	
37	95	36.93	5410	3.2	
40	89	34.73	5310	3.4	
41	87	33.79	5270	2.8	
44	80	31.12	5150	2.8	
52	69	26.74	4920	4.4	
59	60	23.28	4720	5.0	



输出转速 Output speed n_2 [r/min]	输出转矩 Output torque T_a [N·m]	传动比 Ratio i	径向 负荷 Permitted overhung load FR2 [N]	使用 系数 Service factor fB	机型号 Model	
0.37kW						
55	65	25.23	1840	1.30		
60	59	23.15	1820	1.45		
70	51	19.71	1760	1.70		
81	44	16.99	1710	1.95		
87	41	15.84	1680	2.1		
100	35	13.84	1630	2.4		
106	33	12.98	1610	2.6		
121	29	11.45	1560	2.8	R	17 Y71M4
136	26	10.15	1520	3.0	RF	17 Y71M4
160	22	8.63	1460	3.3		
183	19	7.55	1370	2.9		
196	18	7.04	1350	3.1		
224	16	6.15	1300	3.4		
239	15	5.76	1280	3.6		
271	13	5.09	1240	3.9		
306	12	4.51	1200	4.2		
360	9.8	3.83	1150	4.6		
191	19	13.84	1390	4.6		
204	17	12.98	1360	4.9		
231	15	11.45	1320	5.3		
261	14	10.15	1270	5.7		
307	12	8.63	1220	6.3		
351	10	7.55	1150	5.5	R	17 Y63L2
377	9.4	7.04	1130	5.8	RF	17 Y63L2
431	8.2	6.15	1090	6.6		
460	7.7	5.76	1070	6.9		
521	6.8	5.09	1030	7.5		
588	6.0	4.51	990	8.0		
691	5.1	3.83	950	8.8		
174	20	5.18	4570	3.7		
199	18	4.53	4380	4.6	RX	67 Y80S6
209	17	4.30*	4310	4.7	RXF	67 Y80S6
239	15	3.77	4130	5.9		
227	16	6.07	4200	2.8		
267	13	5.18	3990	5.6		
305	12	4.53	3820	7.1		
321	11	4.30	3760	7.3		
366	9.7	3.77	3610	9.0	RX	67 Y71M4
431	8.2	3.20	3420	12	RXF	67 Y71M4
478	7.4	2.89	3310	14		
543	6.5	2.54	3170	18		
575	6.1	2.40	3110	20		
675	5.2	2.04	2950	26		
207	17	4.35	3500	4.0	RX	57 Y80S6
238	15	3.79	3350	4.6	RXF	57 Y80S6
254	14	3.55	3280	5.0		
251	14	5.50	3300	2.8		
272	13	5.07	3210	2.8		
317	11	4.35	3060	6.1		
364	9.7	3.79	2930	7.1		
389	9.1	3.55	2870	7.6		
440	8.0	3.14	2760	8.1	RX	57 Y71M4
474	7.5	2.91	2690	8.9	RXF	57 Y71M4
523	6.8	2.64	2610	10		
582	6.1	2.37	2520	11		
676	5.2	2.04	2400	13		
719	4.9	1.92	2350	14		
835	4.2	1.65	2240	16		
0.55kW						
0.22	19800	6077	120000	0.90		
0.25	17600	5407	120000	1.00	R	167 R97 Y80S4
0.29	15100	4650	120000	1.20	RF	167 R97 Y80S4
0.33	13300	4129	120000	1.35		
0.28	16600	4928	26300	0.80		
0.31	14500	4325	55900	0.90		
0.36	12700	3754	63300	1.05		
0.41	11100	3302	66100	1.15	R	147 R77 Y80S4
0.47	9720	2898	68200	1.35	RF	147 R77 Y80S4

输出转速 Output speed n_2 [r/min]	输出转矩 Output torque T_a [N·m]	传动比 Ratio i	径向 负荷 Permitted overhung load FR2 [N]	使用 系数 Service factor fB	机型号 Model	
0.55kW						
0.53	8730	2555	69500	1.50		
0.62	7560	2211	70800	1.70		
0.70	6670	1951	71600	1.95		
0.80	5730	1705	72400	2.3	R	147 R77 Y80S4
0.89	5140	1536	72900	2.5	RF	147 R77 Y80S4
1.0	4450	1329	73300	2.9		
1.2	3880	1166	73600	3.3		
0.55	8540	2484	51700	0.95	R	137 R77 Y80S4
					RF	137 R77 Y80S4
0.51	9080	2658	49200	0.90		
0.56	8240	2412	52900	0.95		
0.66	7090	2073	55200	1.15		
0.74	6210	1839	56700	1.30		
0.85	5350	1598	58000	1.50	R	137 R77 Y80S4
0.97	4780	1397	58700	1.70	RF	137 R77 Y80S4
1.1	4150	1226	59400	1.95		
1.2	3710	1090	59800	2.2		
1.4	3240	951	60200	2.5		
1.6	2780	831	60500	2.9		
0.97	4790	1407	23400	0.90		
1.1	4120	1209	30400	1.05		
1.3	3590	1055	32800	1.20		
1.5	3140	919	34500	1.35	R	107 R77 Y80S4
1.7	2790	815	35600	1.55	RF	107 R77 Y80S4
1.9	2450	717	36200	1.75		
2.2	2140	626	36600	2.0		
0.97	4730	1400	25600	0.90		
1.1	4120	1226	30400	1.05	R	107 R77 Y80S4
1.2	3690	1104	32400	1.15	RF	107 R77 Y80S4
1.5	3170	939	34400	1.35		
1.7	2760	822	35700	1.55		
1.5	3240	938	4620	0.95		
1.6	2810	824	22200	1.05		
1.8	2520	737	24000	1.20		
2.2	2160	632	25700	1.40		
2.4	1880	560	26800	1.60	R	97 R57 Y80S4
2.8	1640	484	27400	1.85	RF	97 R57 Y80S4
3.2	1480	431	27700	2.0		
3.6	1290	379	27900	2.3		
4.0	1150	338	28100	2.6		
4.6	1010	298	28200	3.0		
5.5	840	249	28400	3.6		
2.6	1780	525	15100	0.85		
3.0	1550	456	16900	1.00		
3.4	1340	398	18200	1.15	R	87 R57 Y80S4
3.9	1190	352	19000	1.30	RF	87 R57 Y80S4
4.4	1030	305	19700	1.50		
2.9	1650	472	16200	0.95		
3.4	1400	400	17900	1.10	R	87 R57 Y80S4
3.8	1260	361	18700	1.25	RF	87 R57 Y80S4
4.9	970	276	6420	0.85		
5.8	830	236	9860	1.00		
6.2	775	221	10300	1.05	R	77 R37 Y80S4
7.3	650	186	11300	1.25	RF	77 R37 Y80S4
2.7	1980	255.71	26500	1.50		
2.8	1860	241.25	26900	1.60	R	97 Y90L8
3.1	1670	216.28	27400	1.80	RF	97 Y90L8
3.1	1690	289.74	27400	1.75		
3.5	1490	255.71	27700	2.0	R	97 Y80M6
3.7	1410	241.25	27800	2.1	RF	97 Y80M6
4.2	1260	216.28	28000	2.4		
4.7	1120	289.74	28100	2.7		
5.3	990	255.71	28200	3.0	R	97 Y80S4
5.6	930	241.25	28300	3.2	RF	97 Y80S4
6.3	840	216.28	28400	3.6		

输出转速 Output speed n_2 [r/min]	输出转矩 Output torque T_a [N·m]	传动比 Ratio i	径向 负荷 Permitted overhung load FR2 [N]	使用 系数 Service factor fB	机型号 Model	
0.55kW						
3.7	1440	246.54	17700	1.10		
4.2	1260	216.54	18700	1.25	R	87 Y80M6
4.4	1200	205.71	19000	1.30	RF	87 Y80M6
4.9	1060	181.77	19600	1.45		
5.8	910	155.34	20000	1.70		
5.5	950	246.54	20000	1.65		
6.3	840	216.54	20000	1.85		
6.6	795	205.71	20000	1.95		
7.5	700	181.77	20000	2.2	R	87 Y80S4
8.8	600	155.34	20000	2.6	RF	87 Y80S4
9.8	550	142.41	20000	2.8		
11	485	124.97	20000	3.2		
11	455	118.43	20000	3.4		
13	400	103.65	20000	3.9		
8.2	645	166.59	11300	1.25		
9.3	565	145.67	11800	1.45		
9.8	535	138.39	11900	1.55		
11	470	121.42	12200	1.75	R	77 Y80S4
13	400	102.99	12500	2.1	RF	77 Y80S4
15	360	92.97	12600	2.3		
17	315	81.80	12800	2.6		
18	300	77.24	12800	2.8		
21	255	65.77	12900	3.2		
8.6	610	158.14	7430	1.00		
9.9	530	137.67	8290	1.15		
11	500	128.97	8600	1.20		
12	440	113.94	9060	1.35		
13	410	105.83	9280	1.45	R	67 Y80S4
14	370	95.91	9520	1.60	RF	67 Y80S4
16	335	86.11	9730	1.80		
18	285	74.17	9940	2.1		
20	270	69.75	10000	2.2		
22	235	61.26	10100	2.5		
24	220	56.89	10200	2.7		
11	465	120.63	7030	0.95		
13	410	106.58	7260	1.10		
14	380	98.99	7370	1.20		
15	345	89.71	7490	1.30		
17	310	80.55	7600	1.45		
20	265	69.23	7710	1.70	R	57 Y80S4
21	250	64.85	7750	1.80	RF	57 Y80S4
24	220	57.29	7530	2.0		
26	205	53.22	7390	2.2		
28	188	48.23	7190	2.4		
31	167	43.30	6980	2.7		
36	144	37.30	6700	3.1		
39	136	35.07	6580	3.3		
52	102	26.31	6060	4.4		
54	97	24.99	5970	4.7	R	57 Y80S4
62	85	21.93	5740	5.3	RF	57 Y80S4
73	72	18.60	5460	6.3		
15	380	93.88	3280	0.85		
16	330	84.90	5230	0.90		
18	295	76.23	5450	1.00		
20	265	68.54	5600	1.15		
21	250	64.21	5670	1.20	R	47 Y80S4
24	220	56.73	5790	1.35	RF	47 Y80S4
26	205	52.69	5770	1.45		
28	184	47.75	5630	1.65		
32	166	42.87	5470	1.80		
37	143	36.93	5280	2.1		
39	134	34.73	5180	2.2		
46	115	29.88	4970	2.6		



输出转速 Output speed n ₂ [r/min]	输出转矩 Output torque T _a [N·m]	传动比 Ratio i	径向负荷 Permitted overhung load FR2 [N]	使用系数 Service factor i _B	机型号 Model	
0.55kW						
263	20	5.18	3970	3.8		
300	18	4.53	3800	4.7		
316	17	4.30	3740	4.8		
360	15	3.77	3590	6.0		
425	12	3.20	3410	8.1	RX	67 Y80S4
471	11	2.89	3300	9.5	RXF	67 Y80S4
535	9.8	2.54	3170	12		
567	9.3	2.40	3110	13		
666	7.9	2.04	2950	17		
732	7.2	1.86	2860	18		
845	6.2	1.61	2730	18		
207	25	4.35	3440	2.7		
238	22	3.79	3300	3.1	RX	57 Y80M6
254	21	3.55	3230	3.3	RXF	57 Y80M6
287	18	3.14	3110	3.5		
309	17	2.91	3040	3.9		
312	17	4.35	3040	4.1		
359	15	3.79	2850	4.7		
383	14	3.55	2850	5.0		
434	12	3.14	2740	5.4		
467	11	2.91	2680	6.0	RX	57 Y80S4
515	10	2.64	2600	6.8	RXF	57 Y80S4
574	9.2	2.37	2510	7.5		
666	7.9	2.04	2390	8.7		
708	7.4	1.92	2350	9.3		
823	6.4	1.65	2230	11		
921	5.7	1.48	2150	12		
1045	5.0	1.30	2070	13		
0.75kW						
0.30	20700	4650	120000	0.85	R	167 R97 Y80M4
0.33	18300	4129	120000	1.00	RF	167 R97 Y80M4
0.52	12000	2857	120000	1.50		
0.59	10400	2333	120000	1.75	R	167 R97 Y80M4
0.66	9230	2085	120000	1.95	RF	167 R97 Y80M4
0.96	6510	1438	120000	2.8		
0.42	15100	3302	49000	0.85	R	147 R77 Y80M4
0.48	13200	2898	62200	1.00	RF	147 R77 Y80M4
0.54	11900	2555	64800	1.10		
0.62	10300	2211	67400	1.25		
0.71	9070	1951	69000	1.45	R	147 R77 Y80M4
0.81	7830	1705	70500	1.65	RF	147 R77 Y80M4
0.90	7030	1536	71300	1.85		
1.0	6080	1329	72100	2.1		
1.2	5310	1166	72700	2.5		
0.74	8640	1863	51200	0.95		
0.87	7330	1586	54700	1.10	R	137 R77 Y80M4
0.99	6500	1391	56200	1.25	RF	137 R77 Y80M4
1.1	5850	1256	57300	1.35		
0.67	9640	2073	41400	0.85		
0.75	8480	1839	51900	0.95		
0.86	7310	1598	54800	1.10		
0.99	6480	1397	56300	1.25		
1.1	5660	1226	57500	1.40	R	137 R77 Y80M4
1.3	5050	1090	58300	1.60	RF	137 R77 Y80M4
1.5	4410	951	59100	1.80		
1.7	3810	831	59700	2.1		
1.9	3320	730	60100	2.4		
1.3	4890	1055	19000	0.90	R	107 R77 Y80M4
1.5	4270	919	29600	1.00	RF	107 R77 Y80M4
1.7	3800	815	31900	1.15		
1.2	5050	1104	7700	0.85		
1.5	4330	939	29300	1.00	R	107 R77 Y80M4
1.7	3770	822	32000	1.15	RF	107 R77 Y80M4
3.7	1690	369	37100	2.5		
4.3	1470	323	37300	2.9		

输出转速 Output speed n ₂ [r/min]	输出转矩 Output torque T _a [N·m]	传动比 Ratio i	径向负荷 Permitted overhung load FR2 [N]	使用系数 Service factor i _B	机型号 Model	
0.75kW						
2.2	2940	632	21400	1.00		
2.5	2570	560	23700	1.15		
2.8	2230	484	25400	1.35		
3.2	2010	431	26400	1.50	R	97 R57 Y80M4
3.6	1760	379	27200	1.70	RF	97 R57 Y80M4
4.1	1570	336	27600	1.90		
4.7	1370	296	27800	2.2		
5.5	1150	249	28100	2.6		
3.5	1830	398	12400	0.85		
3.9	1630	352	16400	0.95	R	87 R57 Y80M4
4.5	1400	305	17900	1.10	RF	87 R57 Y80M4
5.2	1240	268	18800	1.25		
5.8	1090	236	19500	1.40		
3.8	1710	361	15700	0.90	R	87 R57 Y80M4
4.6	1410	300	17800	1.10	RF	87 R57 Y80M4
5.4	1200	256	19000	1.30		
2.8	2610	251.15	36000	1.65	R	107 Y100M8
3.0	2390	229.95	36300	1.80	RF	107 Y100M8
3.4	2110	203.16	36700	2.0		
3.2	2240	216.28	25300	1.35	R	97 Y100M8
3.7	1930	186.30	26600	1.55	RF	97 Y100M8
4.1	1760	170.02	27200	1.75		
3.5	2030	255.71	26200	1.45	R	97 Y90S6
3.7	1920	241.25	26700	1.55	RF	97 Y90S6
4.2	1720	216.28	27300	1.75		
4.8	1500	289.74	27600	2.0		
5.4	1330	255.71	27900	2.3		
5.7	1250	241.25	28000	2.4	R	97 Y80M4
6.4	1120	216.28	28100	2.7	RF	97 Y80M4
7.4	970	186.30	28300	3.1		
8.1	880	170.02	28300	3.4		
4.2	1720	216.54	15600	0.90	R	87 Y90S6
4.4	1640	205.71	16300	0.95	RF	87 Y90S6
4.9	1450	181.77	17600	1.05		
5.8	1240	155.34	18800	1.25	R	87 Y90S6
6.3	1130	142.41	19300	1.35	RF	87 Y90S6
5.6	1280	246.54	18600	1.20		
6.4	1120	216.54	19300	1.40		
6.7	1070	205.71	19600	1.45		
7.6	940	181.77	20000	1.65		
8.9	810	155.34	20000	1.90	R	87 Y80M4
9.7	740	142.41	20000	2.1	RF	87 Y80M4
11	650	124.97	20000	2.4		
12	615	118.43	20000	2.5		
13	540	103.65	20000	2.9		
15	480	93.38	20000	3.2		
8.3	860	166.59	9490	0.95	R	77 Y80M4
9.5	755	145.67	10500	1.10	RF	77 Y80M4
10	720	138.39	10800	1.15		
11	630	121.42	11400	1.30		
13	535	102.99	11900	1.55		
15	485	92.97	12200	1.70		
17	425	81.80	12400	1.95		
18	400	77.24	12500	2.0	R	77 Y80M4
21	340	65.77	12700	2.4	RF	77 Y80M4
24	300	57.68	12800	2.7		
27	270	52.07	12900	3.0		
30	240	45.81	12900	3.5		
32	225	43.26	13000	3.7		

输出转速 Output speed n ₂ [r/min]	输出转矩 Output torque T _a [N·m]	传动比 Ratio i	径向负荷 Permitted overhung load FR2 [N]	使用系数 Service factor i _B	机型号 Model	
0.75kW						
11	670	128.97	4040	0.90		
12	590	113.94	7660	1.00		
13	550	105.83	8120	1.10		
14	500	95.91	8600	1.20		
16	445	86.11	9010	1.35	R	67 Y80M4
19	385	74.17	9430	1.55	RF	67 Y80M4
20	360	69.75	9570	1.65		
23	320	61.26	9800	1.90		
24	295	56.89	9910	2.0		
27	270	51.56	10000	2.2		
30	240	46.29	10100	2.5		
13	555	106.58	4810	0.80		
14	515	98.99	6200	0.90		
15	465	89.71	7040	0.95	R	57 Y80M4
17	420	80.55	7240	1.10	RF	57 Y80M4
20	360	69.23	7450	1.25		
21	335	64.85	7430	1.35		
24	295	57.29	7220	1.50		
26	275	53.22	7090	1.65		
29	250	48.23	6930	1.80		
32	225	43.30	6740	2.0	R	57 Y80M4
37	194	37.30	6490	2.3	RF	57 Y80M4
39	182	35.07	6380	2.5		
46	157	30.18	6130	2.9		
51	140	26.97	5940	3.2		
52	137	26.31	5900	3.3	R	57 Y80M4
55	130	24.99	5820	3.5	RF	57 Y80M4
63	114	21.93	5610	4.0		
74	97	18.60	5350	4.7		
20	355	68.54	3660	0.85	R	47 Y80M4
21	335	64.21	4950	0.90	RF	47 Y80M4
24	295	56.73	5450	1.00		
26	275	52.89	5480	1.10		
29	250	47.75	5370	1.20		
32	225	42.87	5240	1.35	R	47 Y80M4
37	192	36.93	5060	1.55	RF	47 Y80M4
40	180	34.73	4980	1.65		
46	155	29.88	4800	1.95		
52	139	26.70	4660	2.2		
58	122	23.59	4510	2.5		
52	139	26.74	4660	2.2		
59	121	23.28	4490	2.5		
63	113	21.81	4420	2.7	R	47 Y80M4
72	100	19.27	4270	3.0	RF	47 Y80M4
77	93	17.89	4180	3.1		
85	84	16.22	4070	3.3		
29	250	48.08	2330	0.80	R	37 Y80M4
31	235	44.81	4230	0.85	RF	37 Y80M4
35	205	39.17	4720	1.00		
38	191	36.72	4740	1.05		
43	168	32.40	4610	1.20	R	37 Y80M4
48	149	28.73	4490	1.35	RF	37 Y80M4
57	127	24.42	4320	1.60		
62	116	22.27	4230	1.75		
71	100	19.31	4080	2.0		
76	94	18.05	4010	2.1		
88	81	15.60	3850	2.5	R	37 Y80M4
104	69	13.25	3690	2.8	RF	37 Y80M4
117	61	11.83	3570	3.0		
137	53	10.11	3420	3.2		
146	49	9.47	3360	3.4		
48	149	28.78	2880	0.85	R	27 Y80M4
56	127	24.47	2800	1.00	RF	27 Y80M4

输出转速 Output speed n ₂ [r/min]	输出转矩 Output torque T _a [N·m]	传动比 Ratio i	径向负荷 Permitted overhung load FR2 [N]	使用系数 Service factor i _B	机型号 Model	
0.75kW						
62	116	22.32	2750	1.10		



输出转速 Output speed n ₂ [r/min]	输出转矩 Output torque T _a [N·m]	传动比 Ratio i	径向负荷 Permitted overhung load FR2 [N]	使用系数 Service factor f _B	机型号 Model
0.75kW					
317	23	4.35	2980	3.0	
364	20	3.79	2860	3.5	
389	18	3.55	2800	3.8	
440	16	3.14	2700	4.0	
474	15	2.91	2630	4.4	
523	14	2.64	2560	5.0	RX 57 Y80M4
582	12	2.37	2470	5.6	RXF 57 Y80M4
676	11	2.04	2360	6.5	
719	10	1.92	2310	6.9	
835	8.6	1.65	2210	8.0	
935	7.7	1.48	2130	8.8	
1060	6.8	1.30	2050	9.3	
1.1kW					
0.53	17700	2657	120000	1.00	
0.60	15400	2333	120000	1.15	
0.67	13700	2085	120000	1.30	
0.75	12300	1877	120000	1.45	R 167 R97 Y90S4
0.84	10900	1670	120000	1.65	RF 167 R97 Y90S4
0.97	9600	1438	120000	1.90	
1.1	8540	1279	120000	2.1	
1.2	7420	1123	120000	2.4	
0.63	15000	2211	50100	0.85	R 147 R77 Y90S4
0.72	13300	1951	62100	1.00	RF 147 R77 Y90S4
0.82	11500	1705	65500	1.15	
0.91	10300	1536	67300	1.25	
1.0	8940	1329	69200	1.45	
1.2	7810	1166	70500	1.65	R 147 R77 Y90S4
1.4	6870	1029	71500	1.90	RF 147 R77 Y90S4
1.6	5950	889	72200	2.2	
1.8	5240	784	72800	2.5	
2.0	4630	695	73200	2.8	
1.0	9480	1391	44400	0.85	
1.1	8550	1256	51600	0.95	R 137 R77 Y90S4
1.3	7500	1105	54400	1.05	RF 137 R77 Y90S4
1.3	7080	1043	55200	1.15	
1.6	6010	888	57000	1.35	
1.0	9470	1397	44600	0.85	
1.1	8290	1228	52700	0.95	
1.3	7390	1090	54600	1.10	
1.5	6450	951	56300	1.25	R 137 R77 Y90S4
1.7	5590	831	57600	1.45	RF 137 R77 Y90S4
1.9	4890	730	58500	1.65	
2.2	4190	629	59300	1.90	
2.5	3770	560	59700	2.1	
2.8	3270	490	60100	2.5	
2.0	4870	717	20200	0.90	R 107 R77 Y90S4
					RF 107 R77 Y90S4
2.3	4100	614	30500	1.05	
2.6	3630	544	32700	1.20	
2.8	3280	492	34000	1.30	
3.3	2780	417	35600	1.55	R 107 R77 Y90S4
3.8	2480	369	36200	1.75	RF 107 R77 Y90S4
4.3	2170	323	36600	2.0	
4.9	1910	285	36900	2.2	
5.5	1690	253	37100	2.5	
3.2	2930	431	21400	1.00	
3.7	2580	379	23700	1.15	
4.2	2290	336	25100	1.30	R 97 R57 Y90S4
4.7	2010	296	26300	1.50	RF 97 R57 Y90S4
5.6	1680	249	27400	1.80	
6.0	1570	234	27500	1.90	
6.7	1400	209	27800	2.1	
5.2	1810	268	13900	0.85	R 87 R57 Y90S4
5.9	1600	236	16600	0.95	RF 87 R57 Y90S4
6.7	1400	209	17900	1.10	
5.5	1760	256	15300	0.90	R 87 R57 Y90S4
6.0	1590	232	16600	0.95	RF 87 R57 Y90S4
7.2	1350	195	18200	1.15	

输出转速 Output speed n ₂ [r/min]	输出转矩 Output torque T _a [N·m]	传动比 Ratio i	径向负荷 Permitted overhung load FR2 [N]	使用系数 Service factor f _B	机型号 Model
1.1kW					
2.7	3880	251.15	31600	1.10	
3.0	3550	229.95	33000	1.20	R 107 Y100L8
3.3	3140	203.16	34500	1.35	RF 107 Y100L8
4.0	2660	172.34	35900	1.60	
3.6	2920	255.71	21500	1.05	
3.8	2750	241.25	22600	1.10	R 97 Y90L6
4.2	2470	216.28	24200	1.20	RF 97 Y90L6
4.9	2130	186.30	25900	1.40	
5.5	1920	255.71	26700	1.55	
5.8	1810	241.25	27100	1.65	
6.5	1620	216.28	27500	1.85	
7.5	1400	186.30	27800	2.2	R 97 Y90S4
8.2	1280	170.02	27900	2.3	RF 97 Y90S4
9.3	1130	150.78	28100	2.7	
11	950	126.75	28300	3.2	
12	870	116.48	28300	3.4	
6.5	1620	216.54	16400	0.95	R 87 Y90S4
6.8	1540	205.71	17000	1.00	RF 87 Y90S4
7.7	1360	181.77	18100	1.15	
9.0	1170	155.34	19100	1.35	
9.8	1070	142.41	19600	1.45	
11	940	124.97	20000	1.65	
12	890	118.43	20000	1.75	
14	780	103.65	20000	2.0	R 87 Y90S4
15	700	93.38	20000	2.2	RF 87 Y90S4
17	615	81.92	20000	2.5	
19	545	72.57	20000	2.8	
22	480	63.68	20000	3.2	
23	455	60.35	20000	3.4	
27	395	52.82	20000	3.9	
12	910	121.42	8990	0.90	R 77 Y90S4
14	775	102.99	10300	1.05	RF 77 Y90S4
15	700	92.97	10900	1.20	
17	615	81.80	11500	1.35	
18	580	77.24	11700	1.40	
21	495	65.77	12100	1.65	
24	435	57.68	12400	1.90	R 77 Y90S4
27	390	52.07	12500	2.1	RF 77 Y90S4
31	345	45.81	12700	2.4	
32	325	43.26	12700	2.5	
38	275	36.83	12900	3.0	
42	250	33.47	12900	3.3	
16	645	86.11	6820	0.95	
19	555	74.17	8040	1.10	
20	525	69.75	8370	1.15	
23	460	61.26	8920	1.30	
25	425	56.89	9160	1.40	R 67 Y90S4
27	385	51.56	9420	1.55	RF 67 Y90S4
30	345	46.29	9650	1.75	
35	300	39.88	9890	1.95	
37	280	37.50	9970	2.0	
43	240	32.27	10100	2.2	
49	215	28.83	10200	2.4	
50	210	28.13	10200	2.6	
52	200	26.72	10100	2.7	R 67 Y90S4
60	176	23.44	9730	3.2	RF 67 Y90S4
70	149	19.89	9270	4.0	
20	520	69.23	5990	0.85	R 57 Y90S4
22	485	64.85	6850	0.90	RF 57 Y90S4
24	430	57.29	6700	1.05	
26	400	53.22	6610	1.15	
29	360	48.30	6490	1.25	
32	325	43.30	6350	1.40	R 57 Y90S4
38	280	37.30	6140	1.60	RF 57 Y90S4
40	265	35.07	6060	1.70	
46	225	30.18	5850	2.0	
52	200	26.97	5690	2.2	

输出转速 Output speed n ₂ [r/min]	输出转矩 Output torque T _a [N·m]	传动比 Ratio i	径向负荷 Permitted overhung load FR2 [N]	使用系数 Service factor f _B	机型号 Model
1.1kW					
53	197	26.31	5650	2.3	
56	188	24.99	5580	2.4	R 57 Y90S4
64	165	21.93	5400	2.7	RF 57 Y90S4
75	140	18.60	5170	3.2	
83	126	16.79	5030	3.6	
29	360	47.75	3500	0.85	
33	320	42.87	4850	0.95	
38	275	36.93	4720	1.10	R 47 Y90S4
40	260	34.73	4660	1.15	RF 47 Y90S4
47	225	29.88	4520	1.35	
52	200	26.70	4410	1.50	
59	177	23.59	4290	1.70	
60	175	23.28	4270	1.70	
64	164	21.81	4210	1.85	
73	145	19.27	4080	2.0	
78	134	17.89	4010	2.2	
86	122	16.22	3910	2.3	R 47 Y90S4
96	109	14.56	3800	2.4	RF 47 Y90S4
112	94	12.54	3650	2.7	
119	89	11.79	3590	2.8	
138	76	10.15	3450	3.0	
154	68	9.07	3340	3.2	
43	245	32.40	2900	0.80	R 37 Y90S4
49	215	28.73	3300	0.95	RF 37 Y90S4
57	183	24.42	3720	1.10	
73	145	19.31	3840	1.40	R 37 Y90S4
78	135	18.05	3790	1.50	RF 37 Y90S4
90	117	15.60	3660	1.70	
106	99	13.25	3520	1.90	
118	89	11.83	3430	2.1	
139	76	10.11	3290	2.2	
148	71	9.47	3230	2.3	R 37 Y90S4
176	60	7.97	3090	2.6	RF 37 Y90S4
210	50	6.67	2920	2.9	
247	43	5.67	2790	3.3	
277	38	5.06	2700	3.5	
72	145	19.35	2430	0.90	
77	136	18.08	2410	0.95	
90	117	15.63	2360	1.10	
105	100	13.28	2290	1.30	
118	89	11.86	2240	1.45	
138	76	10.13	2160	1.60	
172	61	8.16	2010	1.90	R 27 Y90S4
184	57	7.63	1980	1.95	RF 27 Y90S4
212	50	6.59	1920	2.1	
250	42	5.60	1840	2.4	
280	38	5.00	1790	2.5	



输出转速 Output speed n_2 [r/min]	输出转矩 Output torque T_a [N·m]	传动比 Ratio i	径向负荷 Permitted overhung load FR2 [N]	使用系数 Service factor fB	机型号 Model	
1.5kW						
1.4	9650	1043	41200	0.85		
1.6	8200	888	52900	1.00	R	137 R77 Y90L4
2.0	6440	699	56300	1.25	RF	137 R77 Y90L4
2.3	5590	609	57600	1.45		
1.3	10100	1090	32300	0.80		
1.5	8790	951	50800	0.90		
1.7	7640	831	54100	1.05		
1.9	6680	730	55900	1.20		
2.2	5740	629	57400	1.40	R	137 R77 Y90L4
2.5	5150	560	58200	1.55	RF	137 R77 Y90L4
2.9	4470	490	59000	1.80		
3.3	3910	428	59600	2.0		
3.7	3510	381	59900	2.3		
4.4	2980	323	60400	2.7		
2.7	4860	528	20600	0.90	R RF	107 R77 Y90L4 107 R77 Y90L4
2.6	4970	544	14800	0.85		
2.9	4490	492	28400	0.95	R	107 R77 Y90L4
3.4	3810	417	31900	1.15	RF	107 R77 Y90L4
3.8	3390	369	33600	1.25		
4.4	2960	323	35100	1.45		
3.0	4410	469	28900	1.00	R RF	107 R77 Y90L4 107 R77 Y90L4
4.2	3120	336	14600	0.95		
4.8	2740	296	22700	1.10		
5.7	2300	249	25100	1.30	R	97 R57 Y90L4
6.0	2150	234	25800	1.40	RF	97 R57 Y90L4
6.8	1920	209	26700	1.55		
3.0	4710	229.95	26500	0.90		
3.5	4160	203.16	30200	1.05	R	107 Y112M8
4.1	3530	172.34	33100	1.20	RF	107 Y112M8
4.4	3250	158.68	34100	1.30		
3.7	3910	251.15	31400	1.10		
4.0	3580	229.95	32900	1.20		
4.5	3610	203.16	34400	1.35	R	107 Y100M6
5.3	2880	172.34	35900	1.60	RF	107 Y100M6
5.8	2470	158.68	36200	1.75		
6.5	2210	141.83	36500	1.95		
5.5	2600	255.71	23500	1.15		
5.8	2450	241.25	24300	1.20		
6.5	2200	216.28	25600	1.35		
7.6	1890	186.30	26800	1.60		
8.3	1730	170.02	27300	1.75	R	97 Y90L4
9.4	1530	150.78	27600	1.95	RF	97 Y90L4
11	1290	126.75	27900	2.3		
12	1180	116.48	28000	2.5		
14	1050	103.44	28200	2.8		
15	940	92.48	28300	3.2		
7.8	1850	181.77	11400	0.85		
9.1	1580	155.34	16700	1.00		
9.9	1450	142.41	17600	1.05	R	87 Y90L4
11	1270	124.97	18600	1.20	RF	87 Y90L4
12	1200	118.43	19000	1.30		
14	1050	103.65	19600	1.45		
15	950	93.38	20000	1.65		
17	830	81.92	20000	1.85		
19	735	72.57	20000	2.1		
22	645	63.68	20000	2.4	R	87 Y90L4
23	615	60.35	20000	2.5	RF	87 Y90L4
27	535	52.82	20000	2.9		
30	485	47.58	20000	3.2		
34	425	41.74	20000	3.7		
38	375	36.84	19600	4.1		

输出转速 Output speed n_2 [r/min]	输出转矩 Output torque T_a [N·m]	传动比 Ratio i	径向负荷 Permitted overhung load FR2 [N]	使用系数 Service factor fB	机型号 Model	
1.5kW						
15	940	92.97	8500	0.85		
17	830	81.80	9820	1.00	R	77 Y90L4
18	785	77.24	10200	1.05	RF	77 Y90L4
21	670	65.77	11100	1.25		
24	585	57.68	11600	1.40		
27	530	52.07	11900	1.55		
31	465	45.81	12200	1.75		
33	440	43.26	12300	1.85	R	77 Y90L4
38	375	36.83	12600	2.2	RF	77 Y90L4
42	340	33.47	12700	2.4		
49	295	29.00	12500	2.8		
56	255	25.23	12000	3.0		
60	240	23.37	11800	3.5	R	77 Y90L4
66	220	21.43	11500	3.8	RF	77 Y90L4
75	191	18.80	11000	4.1		
23	620	61.26	7280	0.95		
25	580	56.89	7810	1.05		
27	525	51.56	8370	1.15		
30	470	46.29	8830	1.30	R	67 Y90L4
35	405	39.88	9300	1.45	RF	67 Y90L4
38	380	37.50	9460	1.50		
44	330	32.27	9750	1.65		
49	295	28.83	9920	1.80		
50	285	28.13	9950	1.90		
53	270	26.72	9850	2.0		
60	240	23.44	9500	2.3	R	67 Y90L4
71	200	19.89	9070	3.0	RF	67 Y90L4
79	182	17.95	8810	3.2		
27	540	53.22	5140	0.85		
29	490	48.23	6010	0.90	R	57 Y90L4
33	440	43.30	5920	1.00	RF	57 Y90L4
38	380	37.30	5770	1.20		
40	355	35.07	5710	1.25	R	57 Y90L4
47	305	30.18	5540	1.45	RF	57 Y90L4
52	275	26.97	5420	1.65		
54	265	26.31	5390	1.70		
56	255	24.99	5330	1.75		
64	225	21.93	5170	2.0		
76	189	18.60	4980	2.4	R	57 Y90L4
84	171	16.79	4850	2.6	RF	57 Y90L4
95	150	14.77	4700	2.9		
101	142	13.95	4630	3.0		
119	121	11.88	4440	3.4		
38	375	36.93	2380	0.80		
41	355	34.73	3840	0.85	R	47 Y90L4
47	305	29.88	4220	1.00	RF	47 Y90L4
53	270	26.70	4140	1.10		
60	240	23.59	4050	1.25		
61	235	23.28	4040	1.25		
65	220	21.81	3990	1.35		
73	196	19.27	3890	1.50		
79	182	17.89	3830	1.60		
87	165	16.22	3740	1.65		
97	148	14.56	3650	1.80		
112	127	12.54	3520	1.95		
120	120	11.79	3470	2.0		
139	103	10.15	3340	2.2	R	47 Y90L4
155	92	9.07	3240	2.4	RF	47 Y90L4
176	81	8.01	3140	2.5		
182	79	7.76	3060	2.1		
203	71	6.96	2980	2.2		
235	61	6.00	2860	2.6		
250	57	5.64	2810	2.7		
291	49	4.85	2700	3.0		
325	44	4.34	2610	3.3		
368	39	3.83	2520	3.7		

输出转速 Output speed n_2 [r/min]	输出转矩 Output torque T_a [N·m]	传动比 Ratio i	径向负荷 Permitted overhung load FR2 [N]	使用系数 Service factor fB	机型号 Model	
1.5kW						
73	196	19.31	2660	1.00		
78	183	18.05	2840	1.10	R	37 Y90L4
90	159	15.60	3160	1.25	RF	37 Y90L4
106	135	13.25	3350	1.40		
119	120	11.83	3270	1.50		
140	103	10.11	3160	1.65		
149	96	9.47	3110	1.75		
177	81	7.97	2980	1.95	R	37 Y90L4
211	68	6.67	2820	2.1	RF	37 Y90L4
249	58	5.67	2710	2.5		
279	51	5.06	2630	2.6		
326	44	4.32	2520	2.9		
348	41	4.05	2470	3.0		
414	35	3.41	2360	3.2		
204	70	13.25	2880	2.7		
228	63	11.83	2790	2.9	R	37 Y90S2
267	54	10.11	2680	3.2	RF	37 Y90S2
285	50	9.47	2630	3.3		
339	42	7.97	2510	3.7		
90	159	15.63	1700	0.80		
106	135	13.28	2020	0.95		
119	121	11.86	2080	1.05		
139	103	10.13	2030	1.20		
173	83	8.16	1880	1.40		
185	78	7.63	1860	1.45	R	27 Y90L4
214	67	6.59	1810	1.60	RF	27 Y90L4
252	57	5.60	1750	1.75		
282	51	5.00	1710	1.85		
330	43	4.27	1650	2.0		
353	41	4.00	1630	2.1		
418	34	3.37	1560	2.3		
228	63	11.86	1840	2.10		
267	54	10.13	1770	2.3		
331	43	8.16	1650	2.7		
354	41	7.63	1620	2.8		
410	35	6.59	1570	3.0	R	27 Y90S2
482	30	5.60	1500	3.3	RF	27 Y90S2
540	27	5.00	1460	3.6		
632	23	4.27	1400	3.8		
675	21	4.00	1370	4.0		
801	18	3.37	1310	4.4		
250	57	5.63	5580	1.90		
264	54	5.35	5490	1.90		
298	48	4.73	5300	2.6		
349	41	4.04	5050	3.5		
381	38	3.70	4920	4.1	RX	77 Y90L4
434	33	3.25	4720	5.5	RXF	77 Y90L4
458	31	3.08	4650	6.2		
523	27	2.70	4460	7.8		
581	25	2.43	4310	8.7		
312	46	4.53	3570	1.80		
328	44	4.30	3520	1.85		
374	38	3.77	3390	2.3		
441	33	3.20	3230	3.1		
488	29	2.89	3140	3.6	RX	67 Y90L4
555	26	2.54	3020	4.6	RXF	67 Y90L4
588	24	2.40	2970	5.0		
690	21	2.04	2820	6.4		
759	19	1.86	2740	6.7		
876	16	1.61	2620	7.0		
1005	14	1.40	2510	7.3		

输出转速 Output speed n_2 [r/min]	输出转矩 Output torque T_a [N·m]	传动比 Ratio i	径向负荷 Permitted overhung load FR2 [N]	使用系数 Service factor fB	机型号 Model	
1.5kW						
372	39	3.79	2700	1.80		
397	36	3.55	2650	1.90		
450	32	3.14	2560	2.0		
484	30	2.91	2510	2.3		
534	27	2.64	2440	2.6	RX	5



输出转速 Output speed n ₂ [r/min]	输出转矩 Output torque T _a [N·m]	传动比 Ratio i	径向负荷 Permitted load FR2 [N]	使用系数 Service factor fB	机型号 Model	
2.2kW						
5.6	3740	251.15	32200	1.15	R	107 Y100M4
6.1	3430	229.95	33500	1.25	RF	107 Y100M4
6.9	3030	203.16	34900	1.40		
8.2	2570	172.34	36100	1.65		
8.9	2360	158.88	36300	1.80		
9.9	2110	141.83	36600	2.0	R	107 Y100M4
11	1900	127.68	36900	2.3	RF	107 Y100M4
12	1720	115.63	37000	2.5		
14	1530	102.53	37200	2.8		
15	1380	92.70	37300	3.1		
6.5	3220	216.28	7030	0.95	R	97 Y100M4
7.6	2780	186.30	22500	1.10	RF	97 Y100M4
8.3	2530	170.02	23900	1.20		
9.4	2250	150.78	25300	1.35		
11	1890	126.75	26800	1.60		
12	1740	116.48	27300	1.75		
14	1540	103.44	27600	1.95		
15	1380	92.48	27800	2.2	R	97 Y100M4
17	1240	83.15	28000	2.4	RF	97 Y100M4
20	1080	72.17	28200	2.8		
22	970	65.21	27700	3.1		
24	890	59.92	27000	3.4		
27	795	53.21	26100	3.8		
30	710	47.58	25300	4.2		
11	1860	124.97	10100	0.85		
12	1760	118.43	15200	0.90	R	87 Y100M4
14	1540	103.65	17000	1.00	RF	87 Y100M4
15	1390	93.38	17900	1.10		
17	1220	81.92	18900	1.25		
19	1080	72.57	19500	1.45		
22	950	63.68	20000	1.65		
23	900	60.35	20000	1.70		
27	785	52.82	20000	1.95	R	87 Y100M4
30	710	47.58	20000	2.2	RF	87 Y100M4
34	620	41.74	19900	2.5		
38	550	36.84	19200	2.8		
43	485	32.66	18500	3.2		
41	515	34.40	18800	2.9		
45	470	31.40	18300	3.3	R	87 Y100M4
51	415	27.84	17700	3.7	RF	87 Y100M4
60	350	23.40	16800	4.4		
66	320	21.51	16400	4.7		
21	980	65.77	5470	0.85		
24	860	57.68	9540	0.95	R	77 Y100M4
27	775	52.07	10300	1.05	RF	77 Y100M4
31	685	45.81	11000	1.20		
33	645	43.26	11300	1.25		
38	550	36.83	11800	1.50		
42	500	33.47	12100	1.65	R	77 Y100M4
49	430	29.00	12100	1.90	RF	77 Y100M4
56	375	25.23	11700	2.1		
60	350	23.37	11400	2.3		
66	320	21.43	11200	2.6		
75	280	18.80	10800	2.8	R	77 Y100M4
79	265	17.82	10600	2.9	RF	77 Y100M4
90	230	15.60	10200	3.2		
100	210	14.05	9910	3.4		
35	595	39.88	7630	1.00		
38	560	37.50	8020	1.00	R	67 Y100M4
44	480	32.27	8750	1.10	RF	67 Y100M4
49	430	28.83	9140	1.20		

输出转速 Output speed n ₂ [r/min]	输出转矩 Output torque T _a [N·m]	传动比 Ratio i	径向负荷 Permitted load FR2 [N]	使用系数 Service factor fB	机型号 Model	
2.2kW						
60	350	23.44	9140	1.60		
71	295	19.89	8760	2.0		
79	270	17.95	8530	2.2		
89	235	15.79	8240	2.4		
95	220	14.91	8110	2.5	R	67 Y100M4
111	189	12.70	7760	2.8	RF	67 Y100M4
122	172	11.54	7560	2.9		
141	149	10.00	7250	3.2		
162	130	8.70	6960	3.4		
181	116	7.79	6760	3.3		
38	555	37.30	4490	0.80		
40	525	35.07	5110	0.85	R	57 Y100M4
47	450	30.18	5030	1.00	RF	57 Y100M4
52	400	26.97	4960	1.10		
64	325	21.93	4800	1.40		
76	275	18.6	4660	1.60		
84	250	16.79	4570	1.80		
95	220	14.77	4450	2.0		
101	210	13.95	4390	2.1	R	57 Y100M4
119	177	11.88	4230	2.3	RF	57 Y100M4
131	161	10.79	4140	2.4		
151	139	9.35	4000	2.7		
156	135	9.06	3980	2.8		
177	119	7.97	3850	3.0		
104	205	26.31	4370	2.2		
109	192	24.99	4320	2.3		
124	169	21.93	4190	2.7		
147	143	18.60	4020	3.1	R	57 Y90L2
163	129	16.79	3920	3.5	RF	57 Y90L2
185	114	14.77	3790	3.8		
196	107	13.95	3740	4.0		
73	285	19.27	3550	1.05		
87	240	16.22	3460	1.15		
97	215	14.56	3400	1.20		
112	187	12.54	3310	1.35		
120	176	11.79	3270	1.40		
139	151	10.15	3160	1.50		
155	135	9.07	3090	1.65	R	47 Y100M4
176	119	8.01	3000	1.70	RF	47 Y100M4
182	116	7.76	2910	1.40		
203	104	6.96	2840	1.55		
235	89	6.00	2740	1.75		
250	84	5.64	2700	1.85		
291	72	4.85	2600	2.1		
325	65	4.34	2530	2.3		
368	57	3.83	2440	2.5		
117	179	23.28	3280	1.70		
125	168	21.81	3230	1.80		
142	148	19.27	3150	2.0		
153	138	17.89	3100	2.1		
168	125	16.22	3030	2.2	R	47 Y90L2
187	112	14.56	2950	2.4	RF	47 Y90L2
218	97	12.54	2850	2.6		
231	91	11.97	2800	2.7		
269	78	10.15	2700	2.9		
301	70	9.07	2620	3.2		
341	62	8.01	2530	3.3		
90	230	15.60	1070	0.85	R	37 Y100M4
106	198	13.25	1660	0.95	RF	37 Y100M4
119	176	11.83	1990	1.05		

输出转速 Output speed n ₂ [r/min]	输出转矩 Output torque T _a [N·m]	传动比 Ratio i	径向负荷 Permitted load FR2 [N]	使用系数 Service factor fB	机型号 Model	
2.2kW						
140	151	10.11	2360	1.15		
149	141	9.47	2480	1.20		
177	119	7.97	2750	1.30		
211	99	6.67	2470	1.45	R	37 Y100M4
249	84	5.67	2570	1.70	RF	37 Y100M4
279	75	5.06	2500	1.80		
326	64	4.32	2410	1.95		
348	60	4.05	2370	2.0		
414	51	3.41	2270	2.2		
141	149	19.31	2380	1.35	R	37 Y90L2
151	139	18.05	2510	1.45	RF	37 Y90L2
175	120	15.60	2740	1.65		
206	102	13.25	2720	1.85		
231	91	11.83	2650	2.0		
270	78	10.11	2550	2.2		
288	73	9.47	2510	2.3		
342	61	7.97	2410	2.5	R	37 Y90L2
409	51	6.67	2280	2.8	RF	37 Y90L2
482	44	5.67	2180	3.3		
540	39	5.06	2120	3.5		
632	33	4.32	2030	3.8		
675	31	4.05	1990	3.9		
801	26	3.41	1900	4.3		
139	151	10.13	1120	0.80		
214	98	6.59	1130	1.10		
252	83	5.60	1390	1.20		
282	75	5.00	1540	1.30	R	27 Y100M4
330	64	4.27	1540	1.35	RF	27 Y100M4
353	60	4.00	1520	1.45		
418	50	3.37	1470	1.55		
206	102	13.28	1720	1.25		
230	91	11.86	1690	1.40		
270	78	10.13	1650	1.55		
335	63	8.16	1530	1.85		
358	59	7.63	1510	1.90	R	27 Y90L2
414	51	6.59	1470	2.1	RF	27 Y90L2
488	43	5.60	1420	2.3		
546	39	5.00	1390	2.5		
639	33	4.27	1340	2.6		
683	31	4.00	1310	2.8		
810	26	3.37	1260	3.0		
298	70	4.73	5180	1.75		
349	60	4.04	4950	2.4		
381	55	3.70	4820	2.8		
434	48	3.25	4640	3.8		
458	46	3.08	4560	4.2	RX	77 Y100M4
523	40	2.70	4380	5.3	RXF	77 Y100M4
581	36	2.43	4250	5.9		
662	32	2.13	4080	6.3		
750	28	1.88	3920	6.7	</	



输出转速 Output speed n_2 [r/min]	输出转矩 Output torque T_a [N·m]	传动比 Ratio i	径向负荷 Permitted overhung load FR2 [N]	使用系数 Service factor f _B	机型号 Model
3.0kW					
6.1	4710	229.95	26500	0.90	
6.9	4160	203.16	30200	1.05	
8.1	3530	172.34	33100	1.20	
8.8	3250	158.68	34100	1.30	
9.9	2900	141.83	35300	1.50	R 107 Y100L4
11	2610	127.68	36000	1.65	RF 107 Y100L4
12	2370	115.83	36300	1.80	
14	2100	102.53	36700	2.0	
15	1900	92.70	36900	2.3	
18	1610	78.57	35900	2.7	
19	1490	72.88	35200	2.9	
9.3	3090	150.78	16200	0.95	
11	2590	126.75	23600	1.15	
12	2380	116.48	24700	1.25	
14	2120	103.44	25900	1.40	
15	1890	92.48	26800	1.60	
17	1700	83.15	27300	1.75	
19	1480	72.17	27700	2.0	R 97 Y100L4
21	1330	65.21	27000	2.2	RF 97 Y100L4
23	1230	59.92	26400	2.5	
26	1090	53.21	25600	2.8	
29	970	47.58	24800	3.1	
33	880	42.78	24000	3.4	
38	760	37.13	23100	4.0	
42	680	33.25	22400	4.2	
15	1910	93.38	3630	0.80	
17	1680	81.92	16000	0.90	R 87 Y100L4
19	1490	72.57	17400	1.05	RF 87 Y100L4
22	1300	63.68	18400	1.20	
23	1230	60.35	18800	1.25	
27	1080	52.82	19500	1.45	
29	970	47.58	19900	1.60	
34	850	41.74	19400	1.80	R 87 Y100L4
38	755	36.84	18700	2.1	RF 87 Y100L4
43	670	32.66	18100	2.3	
50	570	27.88	17400	2.6	
41	705	34.40	18400	2.1	
45	640	31.40	17900	2.4	
50	570	27.84	17400	2.7	
60	480	23.40	16500	3.2	R 87 Y100L4
65	440	21.51	16100	3.4	RF 87 Y100L4
73	390	19.10	15600	3.7	
82	350	17.08	15100	4.0	
91	315	15.35	14600	4.3	
31	940	45.81	8670	0.85	
32	890	43.26	9270	0.95	R 77 Y100L4
38	755	36.83	10500	1.10	RF 77 Y100L4
42	685	33.47	11000	1.20	
48	595	29.00	11600	1.40	R 77 Y100L4
55	515	25.23	11300	1.50	RF 77 Y100L4
60	480	23.37	11100	1.70	
65	440	21.43	10800	1.85	
74	385	18.80	10500	2.0	
79	365	17.82	10300	2.1	
90	320	15.60	9980	2.3	
100	290	14.05	9700	2.5	R 77 Y100L4
114	250	12.33	9350	2.7	RF 77 Y100L4
129	225	10.88	9030	3.0	
145	197	9.64	8720	3.2	
163	176	8.59	8500	3.6	
181	158	7.74	8240	3.8	
206	139	6.79	7920	4.2	

输出转速 Output speed n_2 [r/min]	输出转矩 Output torque T_a [N·m]	传动比 Ratio i	径向负荷 Permitted overhung load FR2 [N]	使用系数 Service factor f _B	机型号 Model
3.0kW					
60	480	23.44	8730	1.15	
70	405	19.89	8420	1.45	
78	365	17.95	8230	1.60	
89	325	15.79	7980	1.75	R 67 Y100L4
94	305	14.91	7860	1.80	RF 67 Y100L4
110	260	12.70	7550	2.0	
121	235	11.54	7360	2.1	
140	205	10.00	7090	2.3	
52	550	26.97	4330	0.80	R 57 Y100L4
					RF 57 Y100L4
64	450	21.93	4380	1.00	R 57 Y100L4
75	380	18.60	4300	1.20	RF 57 Y100L4
83	345	16.79	4250	1.30	
95	300	14.77	4160	1.45	
100	285	13.95	4130	1.50	
118	245	11.88	4010	1.65	
130	220	10.79	3940	1.75	
150	191	9.35	3820	1.95	
155	185	9.06	3810	2.0	R 57 Y100L4
176	163	7.97	3700	2.2	RF 57 Y100L4
186	154	7.53	3650	2.3	
218	131	6.41	3520	2.6	
240	119	5.82	3430	2.7	
277	103	5.05	3310	3.0	
319	90	4.39	3190	3.1	
128	225	21.93	3950	2.0	
151	190	18.60	3820	2.4	
167	172	16.79	3730	2.6	
190	151	14.77	3620	2.9	R 57 Y100M2
201	143	13.95	3570	3.0	RF 57 Y100M2
236	122	11.88	3440	3.3	
259	110	10.79	3360	3.5	
86	330	16.22	2030	0.85	R 47 Y100L4
96	300	14.56	2500	0.90	RF 47 Y100L4
112	255	12.54	3040	0.95	
119	240	11.79	3040	1.00	
138	210	10.15	2970	1.10	
154	186	9.07	2910	1.20	
175	164	8.01	2840	1.25	
181	159	7.76	2740	1.05	
201	143	6.96	2680	1.10	R 47 Y100L4
233	123	6.00	2610	1.25	RF 47 Y100L4
248	115	5.64	2580	1.35	
288	99	4.85	2490	1.50	
323	89	4.34	2430	1.65	
365	78	3.83	2360	1.85	
237	121	11.79	2670	2.0	
270	104	10.15	2580	2.2	
309	93	9.07	2510	2.4	
349	82	8.01	2430	2.5	
361	79	7.76	2370	2.1	
402	71	6.96	2310	2.2	R 47 Y100M2
467	61	6.00	2220	2.5	RF 47 Y100M2
496	58	5.64	2190	2.7	
577	50	4.85	2100	3.0	
646	44	4.34	2040	3.3	
731	39	3.83	1970	3.7	
139	205	10.11	780	0.80	R 37 Y100L4
148	194	9.47	1010	0.85	RF 37 Y100L4
176	163	7.97	1510	0.95	
210	137	6.67	1250	1.05	
247	116	5.67	1630	1.25	
277	104	5.06	1830	1.30	R 37 Y100L4
324	88	4.32	2070	1.45	RF 37 Y100L4
346	83	4.05	2140	1.45	
411	70	3.41	2180	1.60	

输出转速 Output speed n_2 [r/min]	输出转矩 Output torque T_a [N·m]	传动比 Ratio i	径向负荷 Permitted overhung load FR2 [N]	使用系数 Service factor f _B	机型号 Model
3.0kW					
277	103	10.11	2340	1.65	
296	97	9.47	2380	1.70	
351	82	7.97	2290	1.90	
420	68	6.67	2170	2.1	
494	58	5.67	2090	2.5	R 37 Y100M2
553	52	5.06	2030	2.6	RF 37 Y100M2
648	44	4.32	1950	2.8	
692	41	4.05	1920	3.0	
821	35	3.41	1840	3.2	
250	115	5.60	360	0.85	
280	102	5.00	615	0.95	
328	87	4.27	910	1.00	R 27 Y100L4
350	82	4.00	1010	1.05	RF 27 Y100L4
415	69	3.37	1230	1.15	
425	67	6.59	1260	1.55	
500	57	5.60	1330	1.75	
560	51	5.00	1300	1.85	R 27 Y100M2
656	44	4.27	1260	2.0	RF 27 Y100M2
700	41	4.00	1240	2.1	
831	35	3.37	1200	2.3	
217	132	6.45	7130	1.45	
252	114	5.56	6830	2.0	RX 87 Y100L4
276	104	5.07	6650	2.4	RXF 87 Y100L4
311	92	4.50	6430	3.2	
370	77	3.78	6100	3.9	
296	97	4.73	5050	1.25	
347	83	4.04	4830	1.75	RX 77 Y100L4
378	76	3.70	4720	2.0	RXF 77 Y100L4
431	67	3.25	4550	2.7	
455	63	3.08	4480	3.1	
371	77	3.77	3150	1.15	
438	66	3.20	3030	1.55	
485	59	2.89	2950	1.80	
551	52	2.54	2850	2.3	
583	49	2.40	2810	2.5	RX 67 Y100L4
685	42	2.04	2690	3.2	RXF 67 Y100L4
754	38	1.86	2610	3.3	
870	33	1.61	2510	3.5	
1000	29	1.40	2410	3.6	
446	64	3.14	2330	1.00	
530	54	2.64	2240	1.30	
591	49	2.37	2180	1.40	
686	42	2.04	2100	1.65	RX 57 Y100L4
729	39	1.92	2070	1.75	RXF 57 Y100L4
847	34	1.65	1990	2.0	
948	30	1.48	1930	2.2	
1075	27	1.30	1870	2.4	
4.0kW					
1.6	21200	861	120000	0.85	
1.9	18700	760	120000	0.95	
2.2	16000	656	120000	1.10	R 167 R97 Y112M4
2.8	12300	503	120000	1.45	RF 167 R97 Y112M4
3.8	9190	376	120000	1.95	
4.2	8180	335	120000	2.2	
2.7	13100	533	62500	1.00	
3.1	11300	462	65800	1.15	
3.3	10500	426	67100	1.25	
3.8	9060	368	69100	1.45	
4.4	8010	326	70300	1.60	R 147 R87 Y112M4
5.1	6850	280	71500	1.90	RF 147 R87 Y112M4
5.7	6050	247	72200	2.2	
6.7	5220	214	72800	2.5	
7.5	4620	189	73200	2.8	
8.9	3880	159	73600	3.3	

输出转速 Output speed n_2 [r/min]	输出转矩 Output torque T_a [N·m]	传动比 Ratio i	径向负荷 Permitted overhung load FR2 [N]	使用系数 Service factor f _B	机型号 Model
4.0kW					
2.3	15300	619	46300	0.85	
2.5	13800	558	61000	0.95	R 147 R77 Y112M4
2.9	12100	489	64400	1.10	RF 147 R77 Y112M4
3.4	10200	415	67400	1.25	
3.7	9430	381	45400	0.85	
4.4	8000	323	53400	1.00	R 137 R77 Y112M4
4.9	7200	291	55000	1.10	RF 137 R77 Y112M4
5.6	6290	255	56600	1.25	
6.3	5520	223	57700	1.45	
3.8	9440	376	45200	0.85	R 137 R77 Y112M4
4.2	8500	339	51800	0.95	RF 137 R77 Y112M4
4.8	7450	297	54500	1.05	
7.6	4620	187	27600	0.95	R 107 R77 Y112M4
					RF 107 R77 Y112M4
7.3	4840	193	21400	0.90	

输出转速 Output speed n_2 [r/min]	输出转矩 Output torque T_a [N·m]	传动比 Ratio i	径向 负荷 Permitted overhung load FR2 [N]	使用 系数 Service factor fB	机型号 Model		
4.0kW							
22	1710	63.68	13300	0.90	R RF	87	Y112M4
24	1620	60.35	13900	0.95			
27	1420	52.82	15200	1.10			
30	1280	47.58	16000	1.20	R RF	87	Y112M4
34	1120	41.74	16800	1.40			
39	990	36.84	17400	1.55			
43	880	32.66	17500	1.75			
51	750	27.88	16800	2.0			
41	930	34.40	17600	1.60	R RF	87	Y112M4
45	840	31.40	17400	1.85			
51	750	27.84	16800	2.1			
61	630	23.40	16100	2.5			
66	580	21.51	15700	2.6			
74	515	19.10	15200	2.8			
83	460	17.08	14700	3.0			
92	415	15.35	14300	3.2			
107	360	13.33	13700	3.6			
119	320	11.93	13300	3.8			
39	990	36.83	4070	0.85	R RF	77	Y112M4
42	900	33.47	9100	0.90			
49	780	29.00	10300	1.05			
56	680	25.23	10800	1.15			
61	630	23.37	10600	1.30	R RF	77	Y112M4
66	575	21.43	10400	1.40			
76	505	18.80	10100	1.55			
80	480	17.82	9950	1.65			
91	420	15.60	9630	1.75			
101	380	14.05	9380	1.90			
115	330	12.33	9070	2.1			
131	295	10.88	8780	2.3			
147	260	9.64	8500	2.4			
165	230	8.59	8320	2.7			
183	210	7.74	8070	2.9			
209	183	6.79	7770	3.2			
237	161	5.99	7490	3.3			
267	143	5.31	7230	3.6			
71	535	19.89	7960	1.10	R RF	67	Y112M4
79	485	17.95	7800	1.20			
90	425	15.79	7600	1.30			
95	400	14.91	7510	1.35			
112	340	12.70	7240	1.50			
123	310	11.54	7080	1.60			
142	270	10.00	6840	1.75			
163	235	8.70	6600	1.90			
182	210	7.79	6440	1.80			
193	198	7.36	6340	1.85			
227	169	6.27	6070	1.95			
249	153	5.70	5920	2.0			
288	133	4.93	5680	2.2			
331	116	4.29	5460	2.3			
76	500	18.60	3520	0.90	R RF	57	Y112M4
85	450	16.79	3830	1.00			
96	395	14.77	3800	1.10			
102	375	13.95	3780	1.15	R RF	57	Y112M4
120	320	11.88	3710	1.25			
132	290	10.79	3660	1.35			
152	250	9.35	3580	1.45			
157	245	9.06	3590	1.55			
178	215	7.97	3500	1.65			
189	205	7.53	3470	1.75			
222	172	6.41	3350	1.95			
244	157	5.82	3280	2.0			
284	136	5.05	3180	2.2			
323	118	4.39	3070	2.4			

输出转速 Output speed n_2 [r/min]	输出转矩 Output torque T_a [N·m]	传动比 Ratio i	径向 负荷 Permitted overhung load FR2 [N]	使用 系数 Service factor fB	机型号 Model					
4.0kW										
140	275	10.15	1960	0.85	R RF	47	Y112M4			
157	245	9.07	2350	0.90						
177	215	8.01	2640	0.95						
204	187	6.96	2480	0.85						
237	161	6.00	2430	0.95						
252	152	5.64	2410	1.00						
293	131	4.85	2350	1.15						
327	117	4.34	2300	1.25						
371	103	3.83	2250	1.40						
176	215	16.22	2640	1.25				R RF	47	Y112M2
196	195	14.56	2600	1.35						
228	168	12.54	2540	1.50						
242	158	11.79	2510	1.55						
282	136	10.15	2440	1.70						
315	121	9.07	2390	1.80						
357	107	8.01	2320	1.90						
369	104	7.76	2250	1.55						
411	93	6.96	2200	1.70						
477	80	6.00	2130	1.95						
507	75	5.84	2100	2.1						
589	65	4.85	2020	2.3						
660	58	4.34	1970	2.5						
746	51	3.83	1910	2.8						
255	150	5.56	6630	1.50	RX RFX	87	Y112M4			
280	137	5.07	6470	1.85						
316	121	4.50	6260	2.4						
375	102	3.78	5960	3.0						
351	109	4.04	4670	1.30	RX RFX	77	Y112M4			
383	100	3.70	4560	1.55						
437	87	3.25	4410	2.1						
461	83	3.08	4350	2.3						
527	73	2.70	4190	3.0						
585	65	2.43	4070	3.3						
687	57	2.13	3920	3.5						
755	51	1.88	3780	3.7						
852	45	1.67	3650	3.9						
998	38	1.42	3480	4.1						
444	86	3.20	2870	1.15				RX RFX	67	Y112M4
492	78	2.89	2810	1.35						
559	68	2.54	2730	1.75						
592	65	2.40	2690	1.90						
692	55	2.04	2580	2.4						
765	50	1.86	2520	2.5						
883	43	1.61	2420	2.6						
1015	38	1.40	2330	2.8						
538	71	2.64	1670	0.95	RX RFX	57	Y112M4			
599	64	2.37	1780	1.10						
696	55	2.04	1910	1.25						
740	52	1.92	1940	1.35						
859	44	1.65	1900	1.55						
962	40	1.48	1840	1.70						
1090	35	1.30	1790	1.80						
5.5kW										
2.2	22000	656	120000	0.80				R RF	167	R97 Y132S4
2.5	19300	579	120000	0.95						
2.8	16900	503	120000	1.05						
3.3	14400	432	120000	1.25						
3.8	12600	376	120000	1.45						
4.3	11200	335	120000	1.60						
4.7	10100	303	120000	1.80						
5.1	9310	279	120000	1.95						
3.1	15500	462	43700	0.85	R RF	147	R87 Y132S4			
3.3	14400	426	57800	0.90						
3.9	12400	368	63800	1.05						
4.4	11000	326	66300	1.20						
5.1	9410	280	68600	1.40						
5.8	8300	247	70000	1.55						
6.7	7170	214	71200	1.80						
7.6	6340	189	71900	2.0						

输出转速 Output speed n_2 [r/min]	输出转矩 Output torque T_a [N·m]	传动比 Ratio i	径向 负荷 Permitted overhung load FR2 [N]	使用 系数 Service factor fB	机型号 Model					
5.5kW										
3.1	17000	229.71	120000	1.05	R RF	167	Y160M8			
3.8	13800	186.93	120000	1.30						
4.6	11300	153.07	120000	1.60						
5.1	10400	139.98	120000	1.75						
5.8	9010	121.81	120000	2.0						
4.3	12100	163.31	64400	1.10				R RF	147	Y160M8
4.8	10900	146.91	66500	1.20						
5.9	8870	119.86	69300	1.45						
6.5	8090	109.31	70200	1.60						
5.9	8930	163.31	69200	1.45	R RF	147	Y132ML6			
6.5	8040	146.91	70300	1.60						
8.0	6560	119.86	71700	2.0						
8.8	5980	109.31	72200	2.2	R RF	147	Y132ML6			
10	5180	94.60	72800	2.5						
12	4570	83.47	73200	2.8						
5.5	9480	128.18	44400	0.85	R RF	137	Y160M8			
6.2	8410	113.72	52200	0.95						
6.9	7630	103.20	54200	1.05						
8.0	6560	88.70	56100	1.20						
5.5	9540	174.40	43300	0.85	R RF	137	Y132ML6			
6.1	8550	156.31	51600	0.95						
6.8	7720	141.12	54000	1.05						
7.5	7010	128.18	55300	1.15						
8.4	6220	113.72	56700	1.30						
9.3	5650	103.20	57600	1.40						
6.4	8180	222.60	53000	1.00	R RF	137	Y132S4			
7.6	6920	188.45	55500	1.15						
8.2	6410	174.40	56400	1.25						
9.1	5740	156.31	57400	1.40						
10	5180	141.12	58200	1.55						
11	4710	128.18	58800	1.70	R RF	137	Y132S4			
13	4180	113.72	59300	1.90						
14	3790	103.20	59700	2.1						
16	3260	88.70	60200	2.5						
18	2970	80.91	60400	2.7						
19	2700	73.49	60500	3.0						
22	2390	65.20	60700	3.3						
24	2170	59.17	60900	3.7						
28	1870	50.86	61000	4.3						
11	4690	127.68	27100	0.90	R RF	107	Y132S4			
12	4250	115.63	29800	1.00						
14	3770	102.53	32100	1.15						
15	3400	92.70	33500	1.25						
18	2980	78.57	33500	1.50						
20	2680	72.88	32900	1.60						
22	2410	65.60	32100	1.80						
24	2180	59.41	31300	1.95						
27	1930	52.68	30300	2.2						
30	1750	47.63	29500	2.5						
35	1480	40.37	28200	2.9						
17	3050	83.15	17600	1.00				R RF	97	Y132S4
20	2650	72.17	21800	1.15						
22	2390	65.21	24600	1.25						
24	2200	59.92	24200	1.35						
27	1950	53.21	23600	1.55						
30	1750	47.58	23000	1.70						
33	1570	42.78	22500	1.90						
39	1360	37.13	21700	2.2						
43	1220	33.25	21100	2.4						
52	1010	27.58	20100	2.6						
45	1180	32.05	20900	2.2	R RF	97	Y132S4			
53	1000	27.19	20000	2.6						
57	920	25.03	19600	3.1						
64	820	22.37	19000	3.3						
71	740	20.14	18400	3.5						
78	670	18.24	17900	3.7						
88	595	16.17	17300	4.0						

输出转速 Output speed n_2 [r/min]	输出转矩 Output torque T_a [N·m]	传动比 Ratio i	径向 负荷 Permitted overhung load FR2 [N]	使用 系数 Service factor fB	机型号 Model					
5.5kW										
30	1750	47.58	15400	0.90	R RF	87	Y132S4			
34	1530	41.74	17000	1.00						
39	1350	36.84	17200	1.15						
44	1200	32.66	16700	1.30						
51	1020	27.88	16100	1.45						
51	1020	27.84	16100	1.50				R RF	87	Y132S4
61	860	23.40	15500	1.80						
66	790	21.51	15200	1.90						
75	700	19.10	14700	2.0						
84	625	17.08	14300	2.2						
93	565	15.35	13900	2.4						
107	490	13.33	13400	2.6						
120	440	11.93	13000	2.8						
144	365	9.90	12300	3.2						
156	335	9.14	12200	3.6						
174	300	8.22	11800	3.8						
200										



输出转速 Output speed n ₂ [r/min]	输出转矩 Output torque T _a [N·m]	传动比 Ratio i	径向负荷 Permitted load FR2 [N]	使用系数 Service factor f _B	机型号 Model
5.5kW					
295	178	4.85	1870	0.85	
330	159	4.34	2110	0.90	R 47 Y132S4
373	141	3.83	2080	1.00	RF 47 Y132S4
7.5kW					
230	230	12.54	1730	1.10	
244	215	11.79	1910	1.15	
284	185	10.15	2250	1.25	
318	165	9.07	2220	1.35	
359	146	8.01	2170	1.40	R 47 Y132S2
480	109	6.00	2000	1.45	RF 47 Y132S2
511	103	5.64	1970	1.50	
593	89	4.85	1920	1.70	
664	79	4.34	1870	1.85	
752	70	3.83	1820	2.1	
11kW					
216	245	6.63	10500	1.90	
255	205	5.61	9980	2.2	RX 107 Y132S4
276	191	5.19	9760	3.7	RXF 107 Y132S4
307	171	4.65	9460	4.1	
15kW					
247	215	5.79	8380	1.95	
291	180	4.91	8010	2.2	
316	166	4.52	7820	3.6	
354	149	4.04	7580	4.0	
393	134	3.64	7350	4.4	
434	121	3.30	7140	4.9	RX 97 Y132S4
489	107	2.92	6890	5.5	RXF 97 Y132S4
541	97	2.64	6690	6.1	
638	82	2.24	6360	7.2	
731	72	1.96	6110	7.9	
874	60	1.64	5780	8.4	
1010	52	1.42	5530	8.8	
20kW					
318	165	4.50	6040	1.75	
378	139	3.78	5770	2.2	
411	128	3.48	5640	3.2	RX 87 Y132S4
463	113	3.09	5460	3.6	RXF 87 Y132S4
518	101	2.78	5290	4.0	
576	91	2.48	5130	4.4	
664	79	2.15	4930	4.9	
30kW					
440	119	3.25	4220	1.50	
464	113	3.08	4160	1.70	
530	99	2.70	4030	2.2	
589	89	2.43	3920	2.4	RX 77 Y132S4
671	78	2.13	3780	2.6	RXF 77 Y132S4
761	69	1.88	3660	2.7	
858	61	1.67	3540	2.8	
1005	52	1.42	3380	3.0	
40kW					
563	93	2.54	2550	1.25	
596	88	2.40	2520	1.40	
700	75	2.04	2430	1.80	RX 67 Y132S4
770	68	1.86	2380	1.85	RXF 67 Y132S4
889	59	1.61	2300	1.95	
1020	51	1.40	2220	2.0	
55kW					
700	75	2.04	665	0.90	
745	71	1.92	755	1.00	RX 57 Y132S4
866	61	1.65	940	1.15	RXF 57 Y132S4
969	54	1.48	1020	1.25	
1095	48	1.30	1160	1.30	
7.5kW					
2.8	23100	503	120000	0.80	
3.3	19800	432	120000	0.90	R 167 R97 Y132M4
3.8	17300	376	120000	1.05	RF 167 R97 Y132M4
4.3	15400	335	120000	1.15	
4.7	13900	303	120000	1.30	
5.1	12800	279	120000	1.40	
11kW					
4.4	15000	328	50100	0.85	
5.1	12900	280	62900	1.00	R 147 R87 Y132M4
5.8	11400	247	65700	1.15	RF 147 R87 Y132M4
6.7	9810	214	68000	1.30	
7.6	8680	189	69500	1.50	
9.0	7290	159	71000	1.80	

输出转速 Output speed n ₂ [r/min]	输出转矩 Output torque T _a [N·m]	传动比 Ratio i	径向负荷 Permitted load FR2 [N]	使用系数 Service factor f _B	机型号 Model
7.5kW					
3.1	22900	229.71	120000	0.80	
3.8	18600	186.93	120000	0.95	R 167 Y160L8
4.7	15200	153.07	120000	1.20	RF 167 Y160L8
5.1	13900	139.98	120000	1.30	
5.9	12100	121.81	120000	1.50	
11kW					
4.2	17100	229.71	120000	1.05	R 167 Y160M6
5.1	13900	186.93	120000	1.30	RF 167 Y160M6
15kW					
6.3	11400	153.07	120000	1.60	
6.9	10400	139.98	120000	1.70	
7.9	9090	121.81	120000	2.0	
8.9	8020	107.49	120000	2.2	R 167 Y160M6
10	6950	93.19	120000	2.6	RF 167 Y160M6
12	6190	82.91	120000	2.9	
13	5500	73.70	120000	3.3	
14	5030	67.40	120000	3.6	
20kW					
4.4	16200	163.31	32800	0.80	
4.9	14600	146.91	55100	0.90	R 147 Y160L8
6.0	11900	119.86	64700	1.10	RF 147 Y160L8
6.6	10900	109.31	66500	1.20	
30kW					
5.9	12200	163.31	64200	1.05	
6.5	11000	146.91	68300	1.20	R 147 Y160M6
8.0	8940	119.86	69200	1.45	RF 147 Y160M6
40kW					
8.8	8150	109.31	70100	1.60	R 147 Y160M6
10	700	94.60	71300	1.85	RF 147 Y160M6
12	6230	83.47	72000	2.1	
55kW					
7.6	9440	188.45	45300	0.85	
8.2	8730	174.40	50800	0.90	R 137 Y132M4
9.1	7830	156.31	53700	1.00	RF 137 Y132M4
10	7070	141.12	55200	1.15	
75kW					
11	6420	128.18	56400	1.25	
13	5700	113.72	57500	1.40	
14	5170	103.20	58200	1.55	
16	4440	88.70	59100	1.80	R 137 Y132M4
18	4050	80.91	59500	1.95	RF 137 Y132M4
19	3680	73.49	59800	2.2	
22	3270	65.20	60100	2.5	
24	2960	59.17	60400	2.7	
28	2550	50.86	60600	3.1	
110kW					
15	4640	92.70	27500	0.95	
18	3940	78.57	31300	1.10	
20	3650	72.88	31300	1.20	
22	3290	65.60	30600	1.30	
24	2980	59.41	30000	1.45	R 107 Y132M4
27	2640	52.68	29200	1.65	RF 107 Y132M4
30	2390	47.63	28500	1.80	
35	2020	40.37	27300	2.1	
41	1770	35.26	26400	2.4	
48	1480	29.49	25200	2.9	
160kW					
46	1540	30.77	25500	2.8	
52	1380	27.58	24700	3.1	R 107 Y132M4
57	1250	24.90	24100	3.5	RF 107 Y132M4
63	1130	22.62	23400	3.8	
220kW					
24	3000	59.92	19700	1.00	
27	2670	53.21	22200	1.15	R 97 Y132M4
30	2380	47.58	21800	1.25	RF 97 Y132M4
33	2140	42.78	21300	1.40	
39	1860	37.13	20700	1.60	
300kW					
43	1670	33.25	20200	1.75	R 97 Y132M4
52	1380	27.58	19400	1.95	RF 97 Y132M4

输出转速 Output speed n ₂ [r/min]	输出转矩 Output torque T _a [N·m]	传动比 Ratio i	径向负荷 Permitted load FR2 [N]	使用系数 Service factor f _B	机型号 Model
7.5kW					
45	1610	32.05	20000	1.60	
53	1360	27.19	19300	1.90	
57	1250	25.03	18900	2.3	R 97 Y132M4
64	1120	22.37	18400	2.4	RF 97 Y132M4
71	1010	20.14	17900	2.6	
78	910	18.24	17500	2.7	
11kW					
39	1840	36.84	11500	0.85	R 87 Y132M4
44	1840	32.66	15700	0.95	RF 87 Y132M4
51	1400	27.88	15200	1.05	
15kW					
51	1390	27.84	15200	1.10	
61	1170	23.40	14700	1.30	
66	1080	21.51	14500	1.40	
75	960	19.10	14100	1.50	
84	860	17.08	13700	1.65	
93	770	15.35	12500	1.75	
107	670	13.33	12900	1.90	R 87 Y132M4
120	600	11.93	12600	2.1	RF 87 Y132M4
144	495	9.90	12000	2.4	
156	460	9.14	11900	2.6	
174	410	8.22	11600	2.8	
200	355	7.13	11100	3.0	
224	320	6.39	10800	3.2	
270	265	5.30	10200	3.4	
22kW					
76	940	18.80	5310	0.85	
80	890	17.82	5720	0.85	
92	780	15.60	6610	0.95	
102	705	14.05	7180	1.00	
116	615	12.33	7750	1.10	
131	545	10.88	8010	1.20	R 77 Y132M4
148	485	9.64	7810	1.30	RF 77 Y132M4
166	430	8.59	7620	1.45	
185	390	7.74	7590	1.55	
211	340	6.79	7340	1.70	
239	300	5.99	7110	1.80	
269	265	5.31	6890	1.90	
30kW					
113	635	12.70	4240	0.80	
124	580	11.54	4860	0.85	
143	500	10.00	5620	0.95	
164	435	8.70	5930	1.00	
183	390	7.79	5500	0.95	R 67 Y132M4
194	370	7.36	5720	1.00	RF 67 Y132M4
228	315	6.27	5600	1.05	
251	285	5.70	5480	1.10	
290	245	4.93	5300	1.15	
333	215	4.29	5130	1.25	
40kW					
179	400	7.97	980	0.90	
190	375	7.53	1280	0.95	
223	320	6.41	2020	1.05	R 57 Y132M4
246	290	5.82	2380	1.10	RF 57 Y132M4
283	255	5.05	2780	1.20	
326	220	4.39	2710	1.25	
55kW					
196	365	14.77	2580	1.20	
208	345	13.95	2780	1.25	
244	295	11.88	2780	1.40	
289	265	10.79	2750	1.45	
310	230	9.35	2710	1.60	R 57 Y132M2
364	197	7.97	2670	1.80	RF 57 Y132M2
385	186	7.53	2640	1.90	
452	158	6.41	2570	2.1	
498	144	5.82	2520	2.2	
575	125	5.05	2440	2.5	
660	108	4.39	2370	2.8	
75kW					
216	330	6.63	10100	1.40	
255	280	5.61	9690	1.60	RX 107 Y132M4
276	260	5.19	9490	2.7	RXF 107 Y132M4
307	235	4.65	9210	3.0	
340	210	4.20	8950	3.9	

输出转速 Output speed n ₂ [r/min]	输出转矩 Output torque T _a [N·m]	传动比 Ratio i	径向负荷 Permitted load FR2 [N]	使用系数 Service factor f _B	机型号 Model
7.5kW </					



输出转速 Output speed n ₂ [r/min]	输出转矩 Output torque T _a [N·m]	传动比 Ratio i	径向负荷 Permitted overhung load FR2 [N]	使用系数 Service factor f _B	机型号 Model
9.2kW					
18	4790	78.57	23300	0.90	
20	4450	72.88	28600	0.95	
22	4000	65.60	29400	1.05	
24	3620	59.41	28800	1.20	
27	3210	52.68	28100	1.35	R RF 107 Y132ML4
30	2910	47.63	27500	1.50	107 Y132ML4
36	2480	40.37	26500	1.75	
41	2150	35.26	25700	2.0	
49	1800	29.49	24600	2.4	
47	1880	30.77	24900	2.3	
52	1680	27.58	24200	2.6	R RF 107 Y132ML4
58	1520	24.90	23500	2.8	107 Y132ML4
64	1380	22.62	23000	3.1	
72	1220	20.07	22200	3.5	
27	3250	53.21	3280	0.90	R RF 97 Y132ML4
30	2900	47.58	20600	1.05	97 Y132ML4
34	2610	42.78	20300	1.15	
39	2270	37.13	19800	1.30	R RF 97 Y132ML4
43	2030	33.25	19400	1.40	97 Y132ML4
52	1680	27.58	18700	1.60	
58	1530	25.03	18300	1.85	
64	1370	22.37	17900	2.0	
71	1230	20.14	17400	2.1	R RF 97 Y132ML4
79	1110	18.24	17000	2.2	97 Y132ML4
89	990	16.17	16500	2.4	
98	890	14.62	16100	2.6	
116	755	12.39	15400	2.9	
67	1310	21.51	13900	1.15	
75	1170	19.10	13600	1.25	
84	1040	17.08	13200	1.35	
94	940	15.35	13000	1.45	
108	810	13.33	12600	1.55	R RF 87 Y132ML4
121	730	11.93	12200	1.70	87 Y132ML4
145	605	9.90	11700	1.95	
158	560	9.14	11700	2.2	
175	500	8.22	11400	2.3	
202	435	7.13	10900	2.5	
225	390	6.39	10600	2.6	
102	860	14.05	4740	0.85	
117	750	12.33	5610	0.90	R RF 77 Y132ML4
132	665	10.88	6280	1.00	77 Y132ML4
149	590	9.64	6800	1.05	
186	470	7.74	6300	1.30	
212	415	6.79	6720	1.40	R RF 77 Y132ML4
240	365	5.99	6920	1.50	77 Y132ML4
271	325	5.31	6720	1.55	
277	315	5.19	9240	2.2	
310	285	4.65	8990	2.5	RX RF 107 Y132ML4
343	255	4.20	8760	3.2	107 Y132ML4
377	235	3.81	8540	3.6	
425	205	3.38	8270	4.0	
318	275	4.52	7370	2.2	
356	245	4.04	7170	2.4	
396	220	3.64	6980	2.7	
437	200	3.30	6800	3.0	
493	178	2.92	6590	3.3	RX RF 97 Y132ML4
545	161	2.64	6410	3.7	97 Y132ML4
643	137	2.24	6120	4.3	
736	119	1.96	5890	4.8	
880	100	1.64	5590	5.1	
1015	86	1.42	5360	5.3	

输出转速 Output speed n ₂ [r/min]	输出转矩 Output torque T _a [N·m]	传动比 Ratio i	径向负荷 Permitted overhung load FR2 [N]	使用系数 Service factor f _B	机型号 Model
9.2kW					
414	210	3.48	5220	1.90	
466	188	3.09	5080	2.2	
522	168	2.76	4950	2.4	
580	151	2.48	4820	2.7	RX 87 Y132ML4
669	131	2.15	4650	2.9	RXF 87 Y132ML4
747	118	1.93	4520	3.0	
900	98	1.60	4300	3.2	
1035	85	1.39	4140	3.4	
593	148	2.43	3010	1.45	
676	130	2.13	3160	1.55	RX RF 77 Y132ML4
766	115	1.88	3260	1.65	RXF 77 Y132ML4
864	102	1.67	3280	1.70	
1010	87	1.42	3160	1.80	
11.0kW					
4.9	19600	295	120000	0.90	
5.3	18100	270	120000	1.00	R 167 R107 Y160M4
6.3	15300	229	120000	1.20	RF 167 R107 Y160M4
7.2	13400	200	120000	1.35	
8.5	11300	169	120000	1.60	
5.0	19800	291	120000	0.90	R RF 167 R107 Y160M4
4.3	22500	335	120000	0.80	R 167 R97 Y160M4
4.8	20300	303	120000	0.90	RF 167 R97 Y160M4
5.2	18700	279	120000	0.95	
5.8	16600	247	26800	0.80	
6.7	14300	214	58300	0.90	R 147 R87 Y160M4
7.6	12700	189	63300	1.05	RF 147 R87 Y160M4
9.1	10700	159	66800	1.20	
5.1	20500	186.93	120000	0.90	
6.3	16700	153.07	120000	1.05	R 167 Y160L6
6.9	15300	139.98	120000	1.20	RF 167 Y160L6
7.9	13300	121.81	120000	1.35	
6.3	16800	229.71	120000	1.05	R 167 Y160M4
7.7	13600	186.93	120000	1.30	RF 167 Y160M4
9.4	11200	153.07	120000	1.60	
10	10200	139.98	120000	1.75	
12	8890	121.81	120000	2.0	R 167 Y160M4
13	7840	107.49	120000	2.3	RF 167 Y160M4
15	6800	93.19	120000	2.7	
17	6050	82.91	120000	3.0	
6.5	16100	146.91	35400	0.80	
8.0	13100	119.86	62400	1.00	R RF 147 Y160L6
8.8	12000	109.31	64600	1.10	RF 147 Y160L6
10	10400	94.60	67300	1.25	
12	9130	83.47	39000	1.40	
8.8	11900	163.31	64700	1.10	R 147 Y160M4
9.8	10700	146.91	66700	1.20	RF 147 Y160M4
12	8740	119.86	69400	1.50	
13	7970	109.31	70300	1.65	
15	6900	94.60	71400	1.90	
17	6090	83.47	72100	2.1	R 147 Y160M4
20	5260	72.09	72800	2.5	RF 147 Y160M4
22	4890	66.99	73000	2.7	
24	4460	61.09	73300	2.9	
27	3860	52.87	73600	3.4	

输出转速 Output speed n ₂ [r/min]	输出转矩 Output torque T _a [N·m]	传动比 Ratio i	径向负荷 Permitted overhung load FR2 [N]	使用系数 Service factor f _B	机型号 Model
11.0kW					
10	10300	142.12	23300	0.80	
11	9350	128.18	46900	0.85	
13	8300	113.72	52700	0.95	
14	7530	103.20	54400	1.05	
16	6470	88.70	56300	1.25	
18	5900	80.91	57200	1.35	R 137 Y160M4
20	5360	73.49	57900	1.50	RF 137 Y160M4
22	4760	65.20	58700	1.70	
24	4320	59.17	59200	1.85	
28	3710	50.86	59800	2.2	
32	3240	44.39	60200	2.5	
38	2750	37.65	60500	2.9	
44	2400	32.91	60700	3.3	
22	4790	65.60	23700	0.90	
24	4330	59.41	27600	1.00	
27	3840	52.68	27100	1.10	R 107 Y160M4
30	3470	47.63	26600	1.25	RF 107 Y160M4
36	2940	40.37	25700	1.45	
41	2570	35.26	25000	1.65	
49	2150	29.49	24000	2.0	
47	2240	30.77	24200	1.90	
52	2010	27.58	23600	2.1	
58	1820	24.90	23100	2.4	R RF 107 Y160M4
64	1650	22.62	22500	2.6	107 Y160M4
72	1460	20.07	21800	2.9	
79	1330	18.21	21300	3.2	
34	3120	42.78	14500	0.95	
39	2710	37.13	18900	1.10	R RF 97 Y160M4
43	2430	33.25	18600	1.20	97 Y160M4
52	2010	27.58	18000	1.35	
58	1830	25.03	17700	1.55	
64	1630	22.37	17300	1.65	R RF 97 Y160M4
71	1470	20.14	16900	1.80	97 Y160M4
79	1330	18.24	16600	1.90	
89	1180	16.17	16100	2.0	
98	1070	14.62	15700	2.2	
116	900	12.39	15100	2.4	R RF 97 Y160M4
133	790	10.83	14600	2.7	97 Y160M4
155	675	9.29	14300	3.0	
172	610	8.39	13900	3.3	
202	520	7.12	13200	3.8	
232	455	6.21	12700	4.2	
67	1570	21.51	13200	0.95	R RF 87 Y160M4
75	1390	19.10	13000	1.05	87 Y160M4
84	1250	17.08	12800	1.10	
94	1120	15.35	12500	1.20	
108	970	13.33	12200	1.30	
121	870	11.93	11900	1.40	
145	720	9.90	11400	1.65	R RF 87 Y160M4
158	665	9.14	11500	1.80	87 Y160M4
175	600	8.22	11200	1.95	
202	520	7.13	10800	2.1	
225	465	6.39	10400	2.2	
272	385	5.30	9910	2.3	
132	795	10.88	4250	0.85	R RF 77 Y160M4
149	705	9.64	5000	0.90	77 Y160M4
186	565	7.74	4630	1.10	
212	495	6.79	5250	1.15	R RF 77 Y160M4
240	435	5.99	5720	1.25	77 Y160M4
271	390	5.31	6090	1.30	
277	380	5.19	9000	1.85	
310	340	4.65	8770	2.0	
343	305	4.20	8560	2.7	
377	280	3.81	8360	3.0	RX RF 107 Y160M4
425	245	3.38	8100	3.4	107 Y160M4
469	225	3.07	7900	3.7	
545	193	2.64	7580	4.3	

输出转速 Output speed n ₂ [r/min]	输出转矩 Output torque T _a [N·m]	传动比 Ratio i	径向负荷 Permitted overhung load FR2 [N]	使用系数 Service factor f _B	机型号 Model
11.0kW					
318	330	4.52	7150	1.80	
356	295	4.04	6970	2.0	
396	265	3.64	6800	2.2	
437	240	3.30	6640	2.5	
493	215	2.92	6440	2.8	RX 97 Y160M4
545	193	2.64	6280	3.1	RXF 97 Y160M4
643	163	2.24	6000	3.6	
736	143	1.96	5790	4.0	
880	119	1.64	5500	4.2	
1015	103	1.42	5280	4.4	
414	255	3.48	5030	1.60	
466	225	3.09	4910	1.80	RX RF 87 Y160M4
522	200	2.76	4790	2.0	RXF 87 Y160M4
580	181	2.48	4680	2.2	
669	157	2.15	4530	2.5	
747	141	1.93	4400	2.5	RX RF 87 Y160M4
900	117	1.60	4200	2.8	RXF 87 Y160M4
1035	102	1.39	4050	2.9	



输出转速 Output speed n ₂ [r/min]	输出转矩 Output torque T _a [N·m]	传动比 Ratio i	径向负荷 Permitted overhung load FR2 [N]	使用系数 Service factor f _B	机型号 Model
15.0kW					
22	6400	65.20	56400	1.25	
25	5800	59.17	57300	1.40	
29	4990	50.86	58400	1.60	R 137 Y160L4
33	4360	44.39	59100	1.85	RF 137 Y160L4
39	3690	37.65	59800	2.2	
44	3230	32.91	60200	2.5	
52	2730	27.83	60500	2.8	
31	4670	47.63	24500	0.90	
36	3960	40.37	23900	1.10	R 107 Y160L4
41	3460	35.26	23400	1.25	RF 107 Y160L4
50	2890	29.49	22600	1.50	
47	3020	30.77	22800	1.40	
53	2710	27.58	22400	1.60	
59	2440	24.90	21900	1.75	
65	2220	22.62	21400	1.95	R 107 Y160L4
73	1970	20.07	20900	2.2	RF 107 Y160L4
80	1790	18.21	20400	2.4	
93	1540	15.65	19700	2.8	
107	1340	13.66	19000	3.2	
53	2710	27.58	16500	1.00	R 97 Y160L4 RF 97 Y160L4
58	2480	25.03	16300	1.15	
65	2200	22.37	16100	1.25	
72	1980	20.14	15800	1.30	
80	1790	18.24	15600	1.40	
90	1590	16.17	15200	1.50	
100	1430	14.62	14900	1.60	R 97 Y160L4
118	1220	12.39	14400	1.80	RF 97 Y160L4
135	1060	10.83	14000	1.95	
157	910	9.29	13800	2.2	
174	820	8.39	13400	2.5	
205	700	7.12	12800	2.9	
235	610	6.21	12400	3.1	
85	1680	17.08	11600	0.85	
95	1510	15.35	11500	0.90	R 87 Y160L4
110	1310	13.33	11300	1.00	RF 87 Y160L4
122	1170	11.93	11100	1.05	
147	970	9.90	10700	1.20	
160	900	9.14	11000	1.35	
178	810	8.22	10700	1.45	R 87 Y160L4
205	700	7.13	10300	1.55	RF 87 Y160L4
229	625	6.39	10100	1.65	
275	520	5.30	96000	1.75	
281	510	5.19	8440	1.35	
314	455	4.65	8260	1.50	RX 107 Y160L4
348	410	4.20	8100	2.0	RXF 107 Y160L4
383	375	3.81	7930	2.2	
431	330	3.38	7720	2.5	
475	300	3.07	7540	2.8	
553	260	2.64	7260	3.2	RX 107 Y160L4
634	225	2.30	7010	3.7	RXF 107 Y160L4
747	192	1.95	6710	4.0	
855	168	1.71	6470	4.2	
1010	142	1.44	6170	4.6	
323	445	4.52	6660	1.35	
361	395	4.04	6530	1.50	
401	355	3.64	6400	1.65	
443	325	3.30	6270	1.85	
499	285	2.92	6110	2.1	RX 97 Y160L4
552	260	2.64	5970	2.3	RXF 97 Y160L4
652	220	2.24	5730	2.7	
746	192	1.96	5550	3.0	
892	161	1.64	5290	3.2	
1030	139	1.42	5090	3.3	

输出转速 Output speed n ₂ [r/min]	输出转矩 Output torque T _a [N·m]	传动比 Ratio i	径向负荷 Permitted overhung load FR2 [N]	使用系数 Service factor f _B	机型号 Model
15.0kW					
420	340	3.48	4260	1.20	
473	305	3.09	4510	1.35	
529	270	2.76	4430	1.50	RX 87 Y160L4
588	245	2.48	4350	1.65	RXF 87 Y160L4
678	210	2.15	4230	1.80	
757	189	1.93	4130	1.90	
913	157	1.60	3960	2.0	RX 87 Y160L4
1050	137	1.39	3840	2.1	RXF 87 Y160L4
18.5kW					
7.8	22500	186.93	120000	0.80	
9.6	18500	153.07	120000	1.00	R 167 Y180M4
10	16900	139.98	120000	1.05	RF 167 Y180M4
12	14700	121.81	120000	1.25	
14	13000	107.49	120000	1.40	
16	11200	93.19	120000	1.60	
18	10000	82.91	120000	1.80	R 167 Y180M4
20	8890	73.70	120000	2.0	RF 167 Y180M4
22	8130	67.40	120000	2.2	
25	7070	58.65	120000	2.5	
12	14500	119.86	56900	0.90	
13	13200	109.31	62300	1.00	R 147 Y180M4
15	11400	94.60	65600	1.15	RF 147 Y180M4
18	10100	83.47	67700	1.30	
20	8690	72.09	69500	1.50	
22	8080	66.99	70200	1.60	
24	7370	61.09	71000	1.75	R 147 Y180M4
28	6380	52.87	71900	2.0	RF 147 Y180M4
31	5630	46.65	72500	2.3	
36	4860	40.29	73000	2.7	
18	9760	80.91	39000	0.80	
20	8860	73.49	50200	0.90	R 137 Y180M4
22	7860	65.20	53700	1.00	RF 137 Y180M4
25	7140	59.17	55100	1.10	
29	6130	50.86	56800	1.30	
33	5350	44.39	58000	1.50	
39	4540	37.65	58900	1.75	R 137 Y180M4
45	3970	32.91	59500	2.0	RF 137 Y180M4
53	3360	27.83	60100	2.3	
50	3570	29.57	59900	2.2	
61	2910	24.12	60400	2.8	R 137 Y180M4
67	2650	22.00	60600	3.0	RF 137 Y180M4
77	2300	19.04	60800	3.5	
87	2030	16.80	60900	4.0	
36	4870	40.37	20200	0.90	
42	4250	35.26	22000	1.00	R 107 Y180M4
50	3560	29.49	21500	1.20	RF 107 Y180M4
59	3000	24.90	20900	1.45	
65	2730	22.62	20600	1.60	
73	2420	20.07	20100	1.80	
80	2200	18.21	19700	1.95	
94	1890	15.65	19100	2.3	R 107 Y180M4
107	1650	13.66	18500	2.6	RF 107 Y180M4
126	1400	11.59	17800	3.1	
145	1220	10.13	17200	3.5	
186	950	7.86	16300	3.1	
220	800	6.66	15600	3.7	

输出转速 Output speed n ₂ [r/min]	输出转矩 Output torque T _a [N·m]	传动比 Ratio i	径向负荷 Permitted overhung load FR2 [N]	使用系数 Service factor f _B	机型号 Model
18.5kW					
73	2430	20.14	14900	1.05	
80	2200	18.24	14700	1.15	
91	1950	16.17	14500	1.25	
100	1760	14.62	14200	1.30	
118	1490	12.39	13800	1.45	
135	1310	10.83	13500	1.60	R 97 Y180M4
158	1120	9.29	13400	1.80	RF 97 Y180M4
175	1010	8.39	13100	2.0	
206	860	7.12	12600	2.3	
236	750	6.21	12100	2.5	
282	625	5.20	11600	2.8	
326	545	4.50	11100	3.0	
110	1610	13.33	10600	0.80	
123	1440	11.93	10400	0.85	
148	1190	9.90	10200	1.00	
160	1100	9.14	10600	1.10	R 87 Y180M4
178	990	8.22	10300	1.15	RF 87 Y180M4
205	860	7.13	10000	1.25	
229	770	6.39	9770	1.30	
276	640	5.30	9350	1.40	
349	505	4.20	7710	1.65	
384	460	3.81	7580	1.80	RX 107 Y180M4
433	410	3.38	7400	2.0	RXF 107 Y180M4
477	370	3.07	7250	2.2	
555	320	2.64	7010	2.6	
636	280	2.30	6780	3.0	RX 107 Y180M4
750	235	1.95	6510	3.2	RXF 107 Y180M4
858	205	1.71	6290	3.4	
1015	174	1.44	6020	3.7	
402	440	3.64	6060	1.35	
444	400	3.30	5960	1.50	
501	355	2.92	5830	1.70	
554	320	2.64	5710	1.85	RX 97 Y180M4
654	270	2.24	5510	2.2	RXF 97 Y180M4
749	235	1.96	5350	2.4	
895	197	1.64	5120	2.6	
1035	171	1.42	4940	2.7	
531	335	2.76	3040	1.20	
590	300	2.48	3340	1.35	
680	260	2.15	3630	1.50	RX 87 Y180M4
760	235	1.93	3820	1.55	RXF 87 Y180M4
916	193	1.60	3770	1.65	
1055	168	1.39	3670	1.75	
22kW					
9.6	22000	153.07	120000	0.80	
10	20100	139.98	120000	0.90	R 167 Y180L4
12	17500	121.81	120000	1.05	RF 167 Y180L4
14	15400	107.49	120000	1.15	
16	13400	93.19	120000	1.35	
18	11900	82.91	120000	1.50	
20	10600	73.70	120000	1.70	R 167 Y180L4
22	9670	67.40	120000	1.85	RF 167 Y180L4
25	8410	58.65	120000	2.1	
28	7420	51.76	120000	2.4	
33	6430	44.87	120000	2.8	
13	15700	109.31	41300	0.85	
15	13600	94.60	61500	0.95	R 147 Y180L4
18	12000	83.47	64600	1.10	RF 147 Y180L4
20	10300	72.09	67300	1.25	
22	9610	66.99	68300	1.35	
24	8760	61.09	69400	1.50	
28	7580	52.87	70800	1.70	
31	6690	46.65	71600	1.95	R 147 Y180L4
36	5780	40.29	72400	2.2	RF 147 Y180L4
41	5110	35.64	72900	2.5	
49	4300	29.95	73400	3.0	

输出转速 Output speed n ₂ [r/min]	输出转矩 Output torque T _a [N·m]	传动比 Ratio i	径向负荷 Permitted overhung load FR2 [N]	使用系数 Service factor f _B	机型号 Model
22kW					
22	9350	65.20	46900	0.85	
25	8480	59.17	51900	0.95	R 137 Y180L4
29	7290	50.86	54800	1.10	RF 137 Y180L4
33	6370	44.39	56500	1.25	
39	5400	37.65	57900	1.50	
45	4720	32.91	58700	1.70	R 137 Y180L4
53	3990	27.83	59500	1.90	RF 137 Y180L4
50	4240	29.57	59300	1.85	
61	3460	24.12	60000	2.3	
67	3150	22.00	60200	2.5	R 137 Y180L4
77	2730	19.04	60500	2.9	RF 137 Y180L4
87	2410	16.80	60700	3.3	
101	2080	14.51	60900	3.8	R 137 Y180L4
114	1840	12.83	61000	4.3	RF 137 Y180L4
42	5060	35.26</			



输出转速 Output speed n_2 [r/min]	输出转矩 Output torque T_a [N·m]	传动比 Ratio i	径向负荷 Permitted overhung load FR2 [N]	使用系数 Service factor f_B	机型号 Model	
22kW						
531	395	2.76	1270	1.00		
590	355	2.48	1710	1.15		
680	310	2.15	2160	1.25	RX	87 Y180L4
760	275	1.93	2450	1.30	RXF	87 Y180L4
916	230	1.60	2750	1.35		
1055	200	1.39	3030	1.45		
30kW						
14	20900	107.49	120000	0.85	R	167 Y200L4
16	18200	93.19	120000	1.00	RF	167 Y200L4
18	16200	82.91	120000	1.10		
20	14400	73.70	120000	1.25		
22	13100	67.40	120000	1.35		
25	11400	58.65	120000	1.55		
28	10100	51.76	120000	1.80	R	167 Y200L4
33	8740	44.87	120000	2.1	RF	167 Y200L4
37	7780	39.92	120000	2.3		
43	6710	34.41	120000	2.7		
53	5450	27.96	120000	3.3		
62	4620	23.71	120000	3.9		
18	18300	83.47	32400	0.80		
20	14000	72.09	80400	0.95	R	147 Y200L4
22	13100	66.99	82500	1.00	RF	147 Y200L4
24	11900	61.09	64700	1.10		
28	10300	52.87	67300	1.25		
32	9090	46.65	89000	1.45		
36	7850	40.29	70500	1.65	R	147 Y200L4
41	6950	35.64	71400	1.85	RF	147 Y200L4
49	5840	29.95	72300	2.2		
61	4710	24.19	73100	2.5		
72	3980	20.44	73600	3.0	R	147 Y200L4
82	3510	18.04	73800	3.0	RF	147 Y200L4
94	3050	15.64	74000	4.3		
29	9910	50.86	35800	0.80		
33	8650	44.39	51200	0.90	R	137 Y200L4
39	7340	37.65	54700	1.10	RF	137 Y200L4
45	6410	32.91	56400	1.25		
53	5420	27.83	57900	1.40		
61	4700	24.12	58800	1.70		
67	4290	22.00	59200	1.85	R	137 Y200L4
77	3710	19.04	59800	2.2	RF	137 Y200L4
88	3270	16.80	60100	2.4		
101	2830	14.51	59500	2.8		
115	2500	12.83	58400	3.2	R	137 Y200L4
136	2100	10.79	56600	3.8	RF	137 Y200L4
194	1480	7.59	53300	3.5		
230	1240	6.38	51300	4.1		
73	3910	20.07	17600	1.10		
81	3550	18.21	17400	1.20		
94	3050	15.65	17100	1.40		
108	2660	13.66	16800	1.60		
127	2260	11.59	16300	1.90	R	107 Y200L4
145	1970	10.13	15900	2.2	RF	107 Y200L4
172	1670	8.56	15400	2.6		
187	1530	7.86	15500	1.95		
221	1300	6.66	14900	2.3		
252	1140	5.82	14400	2.6		
299	960	4.92	13700	3.0		
101	2850	14.62	12000	0.80		
119	2420	12.39	11900	0.90	R	97 Y200L4
136	2110	10.83	11800	1.00	RF	97 Y200L4
158	1810	9.29	12300	1.10		
175	1640	8.39	12100	1.25		
207	1390	7.12	11700	1.45		
237	1210	6.21	11400	1.55	R	97 Y200L4
283	1010	5.20	10900	1.75	RF	97 Y200L4
327	880	4.50	10500	1.85		

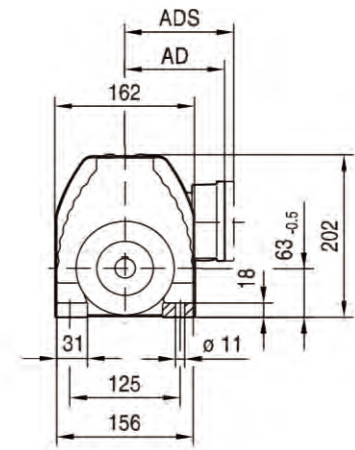
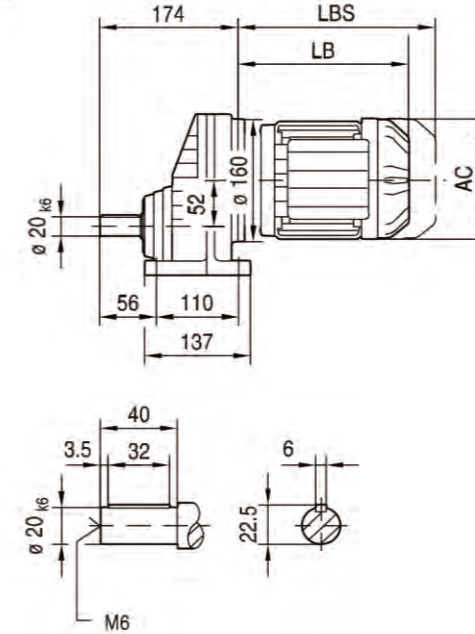
输出转速 Output speed n_2 [r/min]	输出转矩 Output torque T_a [N·m]	传动比 Ratio i	径向负荷 Permitted overhung load FR2 [N]	使用系数 Service factor f_B	机型号 Model	
30kW						
434	660	3.38	6370	1.25		
479	600	3.07	6310	1.40		
557	515	2.64	6180	1.60	RX	107 Y200L4
638	450	2.30	6050	1.85	RXF	107 Y200L4
752	380	1.95	5870	2.0		
860	335	1.71	5720	2.1		
1020	280	1.44	5520	2.3		
503	570	2.92	3120	1.05		
556	515	2.64	3560	1.15		
656	435	2.24	4050	1.35	RX	97 Y200L4
751	380	1.96	4450	1.50	RXF	97 Y200L4
898	320	1.64	4580	1.60		
1040	275	1.42	4450	1.65		
37kW						
16	22400	93.19	120000	0.80		
18	19900	82.91	120000	0.90		
20	17700	73.70	120000	1.00		
22	16200	67.40	120000	1.10		
25	14100	58.65	120000	1.30	R	167 Y225S4
28	12400	51.76	120000	1.45	RF	167 Y225S4
33	10800	44.87	120000	1.65		
37	9600	39.92	120000	1.90		
43	8270	34.41	120000	2.2		
53	6720	27.96	120000	2.7		
48	7380	30.71	120000	1.35		
60	5900	24.57	120000	2.4	R	167 Y225S4
67	5250	21.85	120000	2.5	RF	167 Y225S4
77	4580	19.03	120000	3.5		
87	4080	16.98	120000	3.7		
22	16100	66.99	35000	0.80	R	147 Y225S4
24	14700	61.09	54200	0.90	RF	147 Y225S4
28	12700	52.87	63200	1.00		
32	11200	46.65	65900	1.15		
36	9680	40.29	68200	1.35	R	147 Y225S4
41	8570	35.64	69700	1.50	RF	147 Y225S4
49	7200	29.95	71100	1.80		
61	5810	24.19	72400	2.0		
72	4910	20.44	73000	2.4	R	147 Y225S4
82	4340	18.04	73400	2.4	RF	147 Y225S4
94	3760	15.64	73700	3.5		
106	3340	13.91	73900	3.8	R	147 Y225S4
					RF	147 Y225S4
39	9050	37.65	49400	0.90	R	137 Y225S4
45	7910	32.91	53600	1.00	RF	137 Y225S4
53	6690	27.83	55900	1.15		
61	5800	24.12	57300	1.40	R	137 Y225S4
67	5290	22.00	58000	1.50	RF	137 Y225S4
77	4580	19.04	57800	1.75		
88	4040	16.80	57300	2.0		
101	3490	14.51	56600	2.3		
115	3080	12.83	55800	2.6	R	137 Y225S4
136	2590	10.79	54400	3.1	RF	137 Y225S4
169	2090	8.71	52600	3.7		
194	1820	7.59	51900	2.8		
230	1530	6.38	50100	3.3		
285	1240	5.15	47800	3.7		
73	4820	20.07	16100	0.90		
81	4380	18.21	16100	1.00		
94	3760	15.65	15900	1.15		
108	3280	13.66	15700	1.30		
127	2790	11.59	15400	1.55		
145	2430	10.13	15100	1.75	R	107 Y225S4
172	2060	8.56	14700	2.1	RF	107 Y225S4
187	1890	7.86	15000	1.55		
221	1600	6.66	14400	1.85		
252	1400	5.82	14000	2.1		
299	1180	4.92	13400	2.5		

输出转速 Output speed n_2 [r/min]	输出转矩 Output torque T_a [N·m]	传动比 Ratio i	径向负荷 Permitted overhung load FR2 [N]	使用系数 Service factor f_B	机型号 Model	
37kW						
434	810	3.38	4470	1.00		
479	740	3.07	4950	1.10		
557	635	2.64	5530	1.30	RX	107 Y225S4
638	555	2.30	5610	1.50	RXF	107 Y225S4
752	470	1.95	5490	1.65		
860	410	1.71	5370	1.70		
1020	345	1.44	5220	1.85		
45kW						
20	21500	73.77	120000	0.85		
22	19700	67.40	120000	0.90	R	167 Y225M4
25	17100	58.65	120000	1.05	RF	167 Y225M4
28	15100	51.76	120000	1.20		
33	13100	44.87	120000	1.35		
37	11700	39.92	120000	1.55	R	167 Y225M4
43	10100	34.41	120000	1.80	RF	167 Y225M4
53	8170	27.96	120000	2.2		
62	6930	23.71	120000	2.6		
48	8980	30.71	120000	1.10		
60	7180	24.57	120000	1.95	R	167 Y225M4
67	6390	21.85	120000	2.0	RF	167 Y225M4
77	5560	19.03	120000	2.9		
87	4960	16.98	120000	3.0		
28	15500	52.87	44400	0.85		
32	13600	46.65	61300	0.95		
36	11800	40.29	65000	1.10	R	147 Y225M4
41	10400	35.64	67200	1.25	RF	147 Y225M4
49	8760	29.95	69400	1.50		
61	7070	24.19	71300	1.70		
72	5970	20.44	72200	2.0		
82	5270	18.04	72800	2.0		
94	4570	15.64	73200	2.8	R	147 Y225M4
106	4070	13.91	73500	3.1	RF	147 Y225M4
123	3510	11.99	73800	3.7		
203	2120	7.25	74300	4.1		
45	9620	32.91	41700	0.85	R	137 Y225M4
53	8130	27.83	51200	0.95	RF	137 Y225M4
61	7050	24.12	52400	1.15		
67	6430	22.00	52900	1.25	R	137 Y225M4
77	5570	19.04	53300	1.45	RF	137 Y225M4
88	4910	16.80	53400	1.65		
101	4240	14.51	53200	1.90		
115	3750	12.83	52800	2.1		
136	3150	10.79	51900	2.5	R	137 Y225M4
169	2550	8.71	50500	3.1	RF	137 Y225M4
194	2220	7.59	50200	2.3		
230	1860	6.38	48700	2.7		
285	1510	5.15	46700	3.0		
94	4580	15.65	14600			

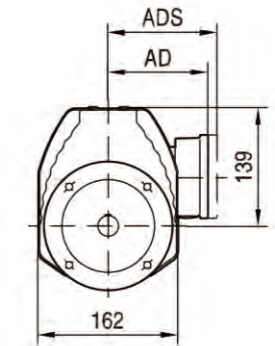
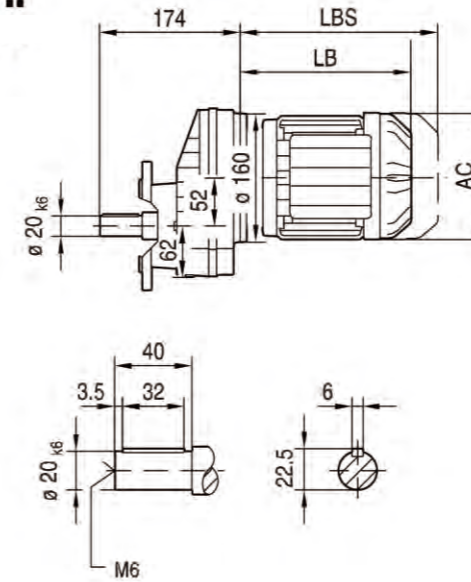
输出转速 Output speed n_2 [r/min]	输出转矩 Output torque T_a [N·m]	传动比 Ratio i	径向负荷 Permitted overload load FR2 [N]	使用系数 Service factor fB	机型号 Model
90kW					
60	14300	24.57	120000	1.00	R 167 Y280M4
68	12700	21.85	120000	1.00	RF 167 Y280M4
78	11100	19.03	120000	1.45	
110kW					
53	19800	27.96	117100	0.90	R 167 Y315S4
63	16800	23.71	116900	1.05	RF 167 Y315S4
78	13500	19.03	115500	1.20	
87	12000	16.98	114300	1.25	R 167 Y315S4
103	10200	14.48	112200	1.75	RF 167 Y315S4
124	8480	11.99	109300	2.0	
145	7240	10.24	106500	2.3	
132kW					
63	20100	23.71	107900	0.90	R 167 Y315M4
					RF 167 Y315M4
78	16200	19.03	108300	1.00	
87	14400	16.98	107800	1.05	R 167 Y315M4
103	12300	14.48	106700	1.45	RF 167 Y315M4
124	10200	11.99	104700	1.65	
145	8690	10.24	102600	1.95	
160kW					
103	14900	14.48	99700	1.20	R 167 Y315M4A
124	12300	11.99	98900	1.40	RF 167 Y315M4A
145	10500	10.24	97600	1.60	

输出转速 Output speed n_2 [r/min]	输出转矩 Output torque T_a [N·m]	传动比 Ratio i	径向负荷 Permitted overload load FR2 [N]	使用系数 Service factor fB	机型号 Model
110kW					
53	19800	27.96	117100	0.90	R 167 Y315S4
63	16800	23.71	116900	1.05	RF 167 Y315S4
78	13500	19.03	115500	1.20	
87	12000	16.98	114300	1.25	R 167 Y315S4
103	10200	14.48	112200	1.75	RF 167 Y315S4
124	8480	11.99	109300	2.0	
145	7240	10.24	106500	2.3	
132kW					
63	20100	23.71	107900	0.90	R 167 Y315M4
					RF 167 Y315M4
78	16200	19.03	108300	1.00	
87	14400	16.98	107800	1.05	R 167 Y315M4
103	12300	14.48	106700	1.45	RF 167 Y315M4
124	10200	11.99	104700	1.65	
145	8690	10.24	102600	1.95	
160kW					
103	14900	14.48	99700	1.20	R 167 Y315M4A
124	12300	11.99	98900	1.40	RF 167 Y315M4A
145	10500	10.24	97600	1.60	

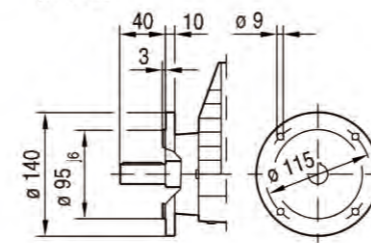
RX57..



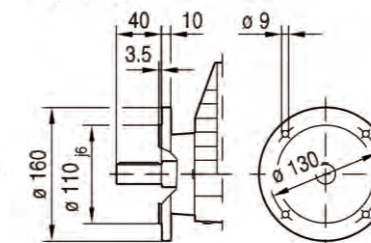
RXF57..



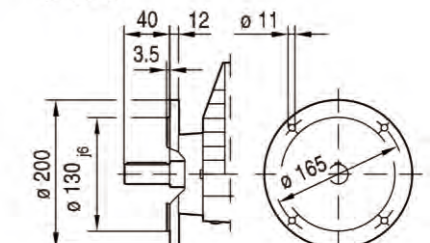
ø 140



ø 160

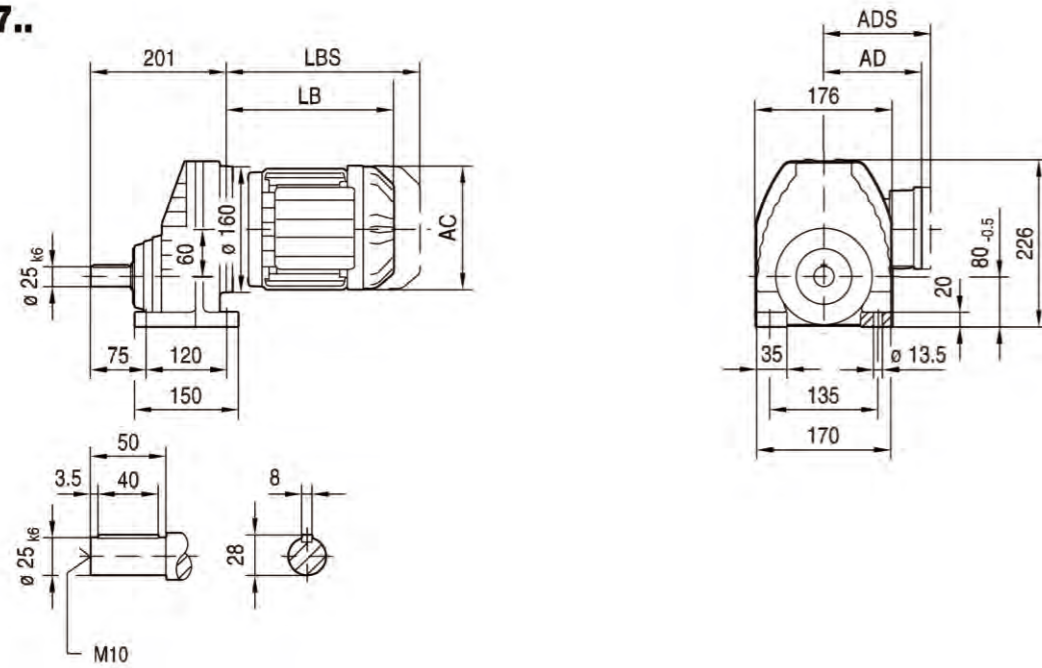


ø 200

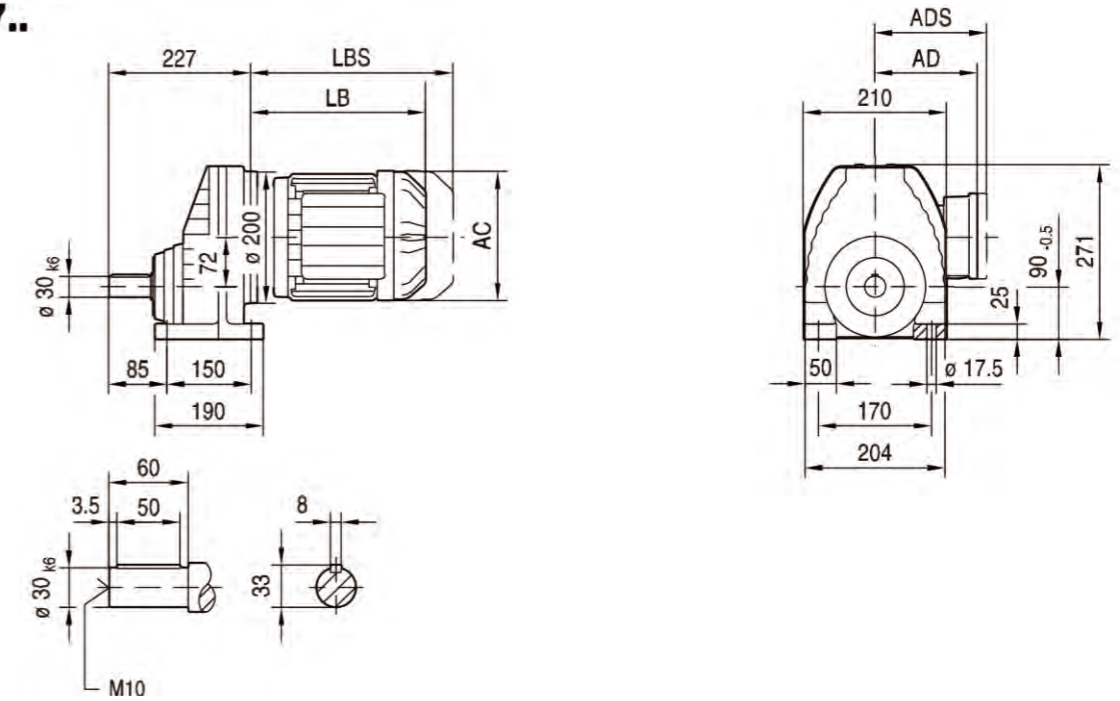


注: 1. LB、LBS、AC、AD、ADS尺寸详见附录A;
Note: 1. See appendix A for the size of LB&LBS&AC&AD&ADS;
2. 电机需方配或配特殊电机时需加联接法兰。(见附录B)
2. When equipping the user's motor or the special one, the flange is required to be connected. (Please see appendix B)

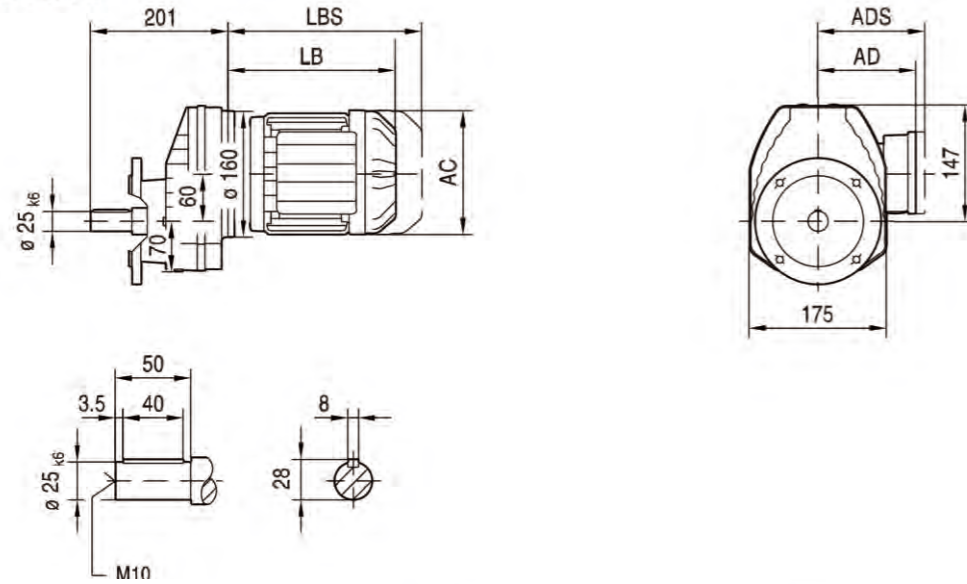
RX67..



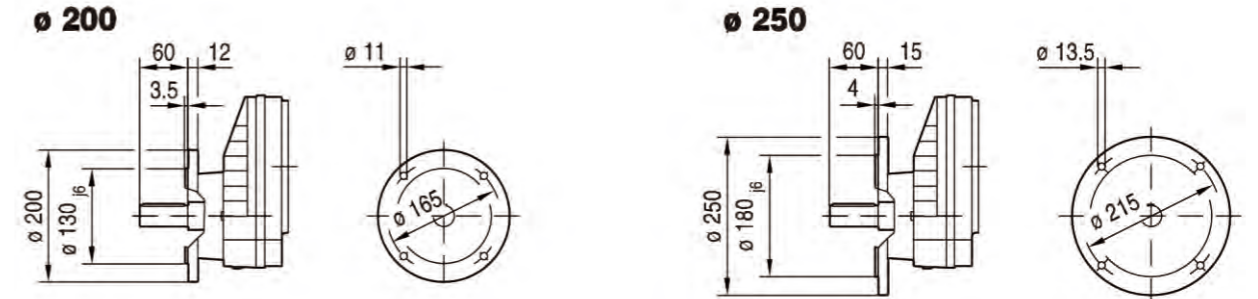
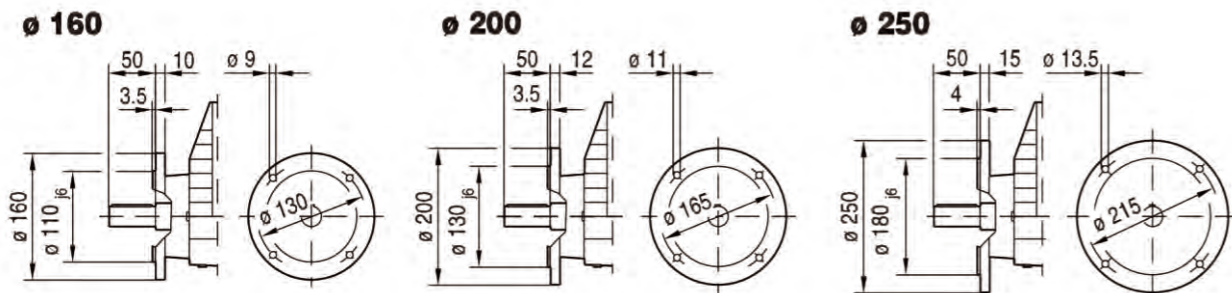
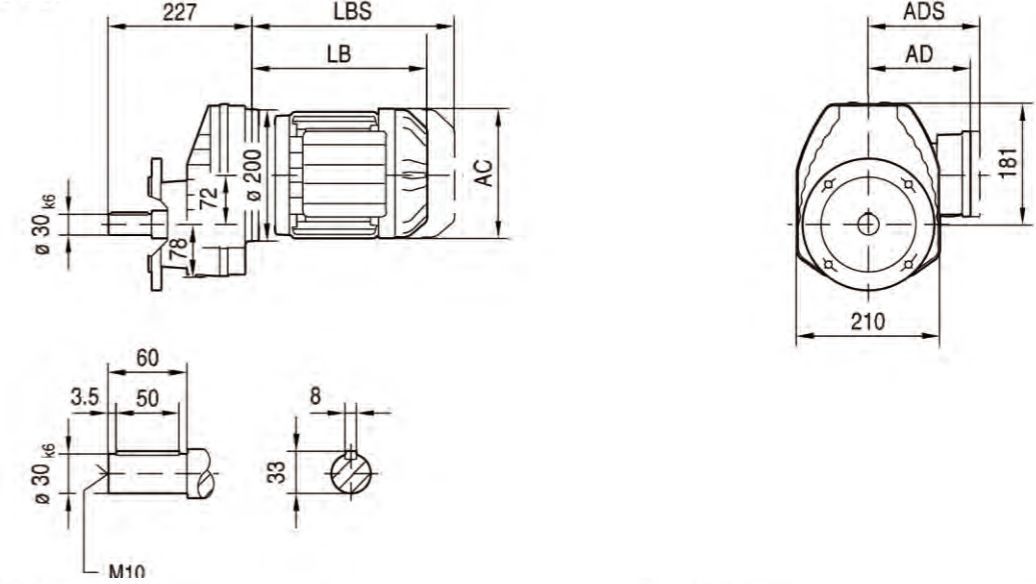
RX77..



RXF67..



RXF77..

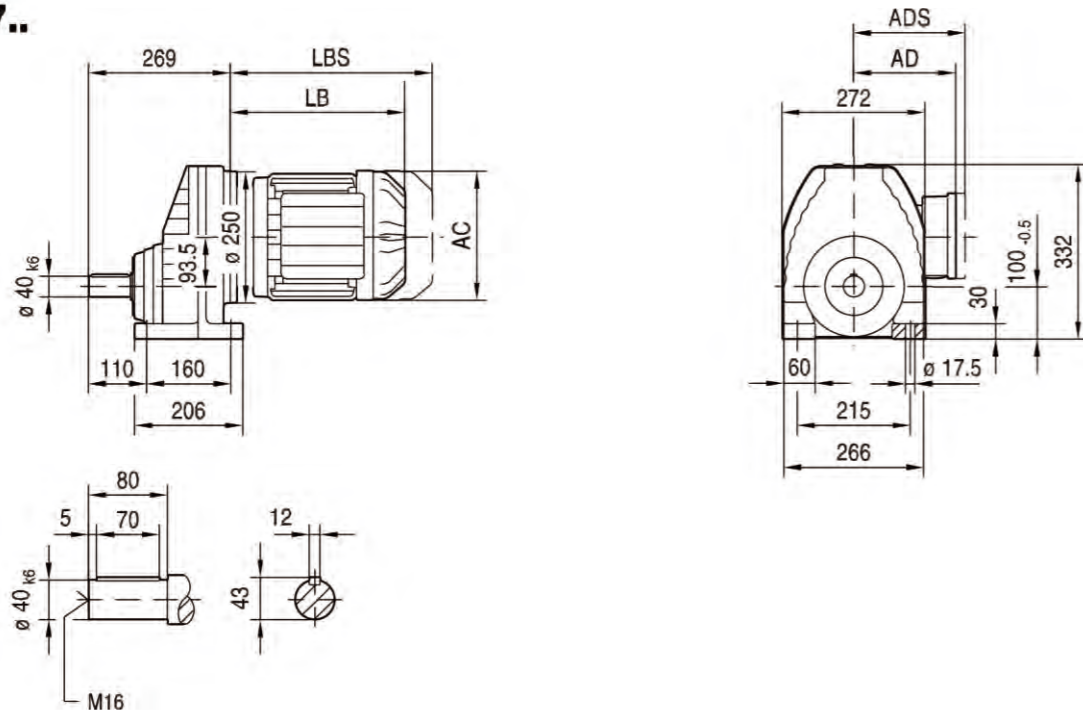


注： 1. LB、LBS、AC、AD、ADS尺寸详见附录A；
Note: 1. See appendix A for the size of LB&LBS&AC&AD&ADS;
2. 电机需方配或配特殊电机时需加联接法兰。(见附录B)
2. When equipping the user's motor or the special one, the flange is required to connected. (Please see appendix B)

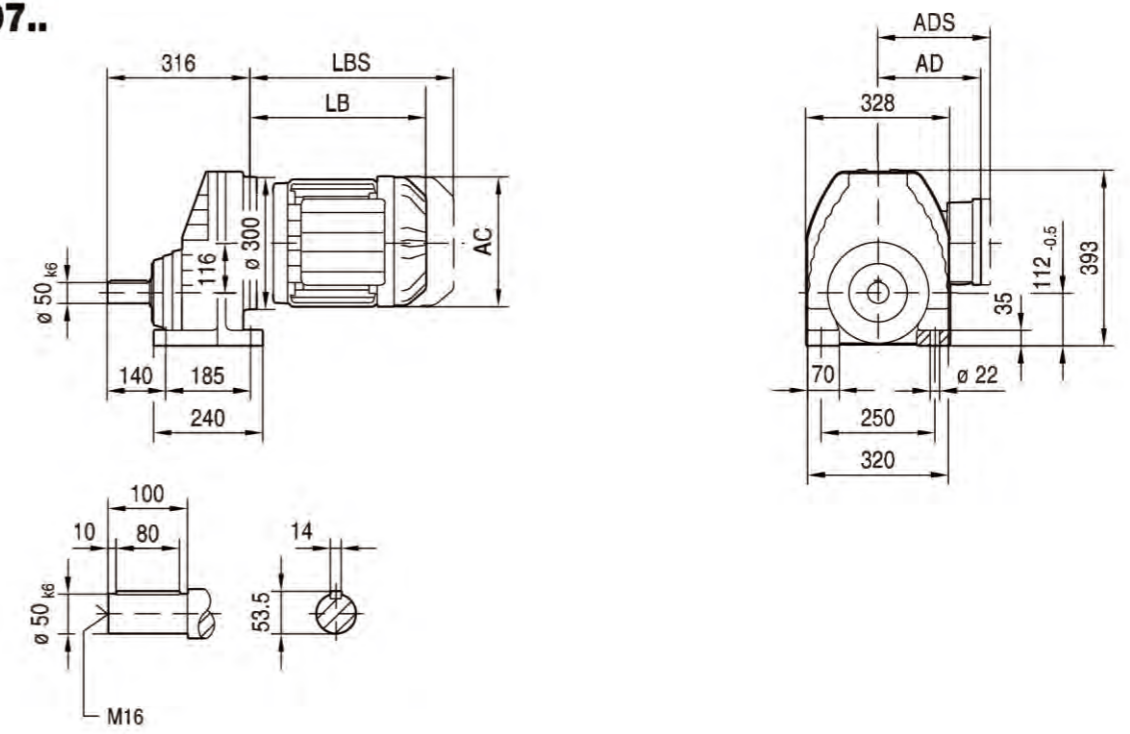
注： 1. LB、LBS、AC、AD、ADS尺寸详见附录A；
Note: 1. See appendix A for the size of LB&LBS&AC&AD&ADS;
2. 电机需方配或配特殊电机时需加联接法兰。(见附录B)
2. When equipping the user's motor or the special one, the flange is required to connected. (Please see appendix B)



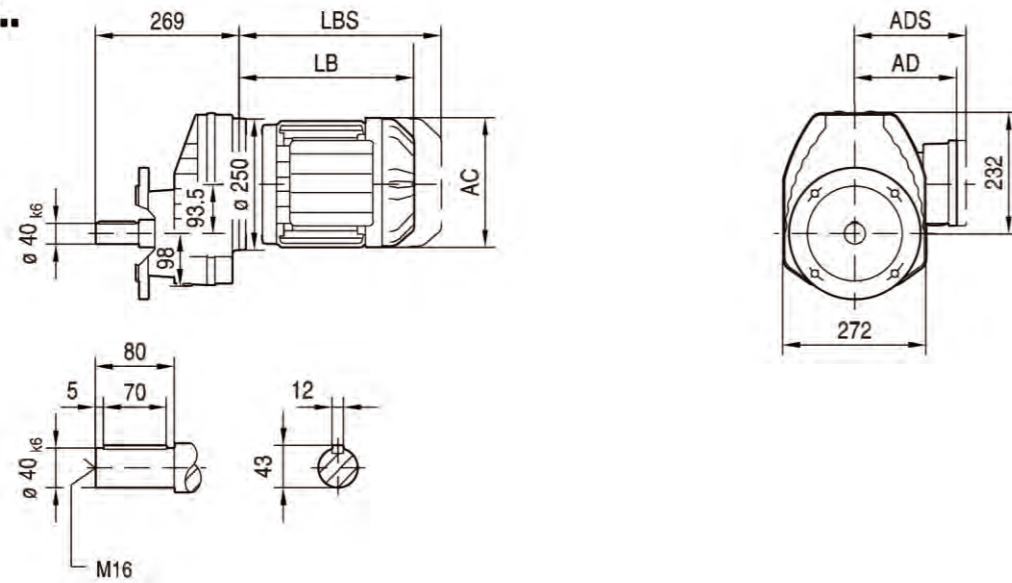
RX87..



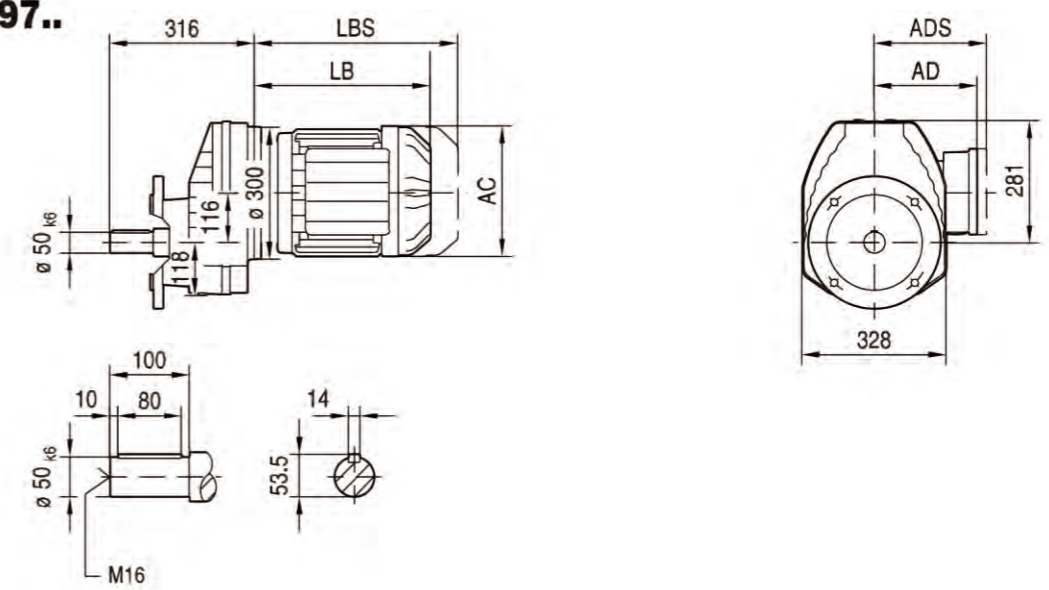
RX97..



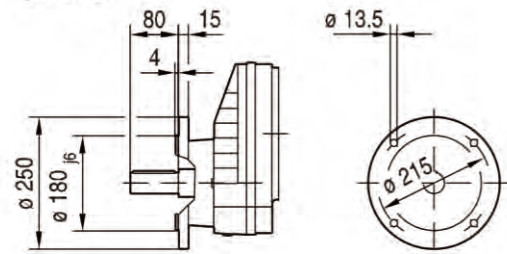
RXF87..



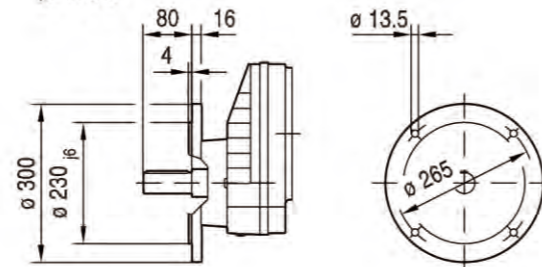
RXF97..



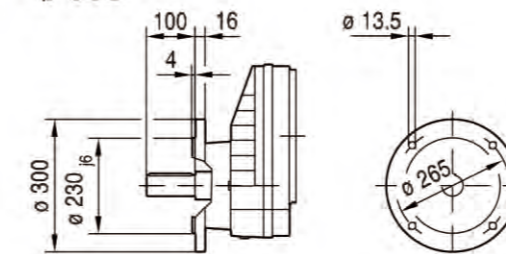
ø 250



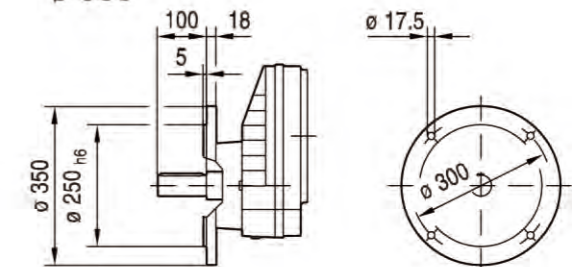
ø 300



ø 300



ø 350

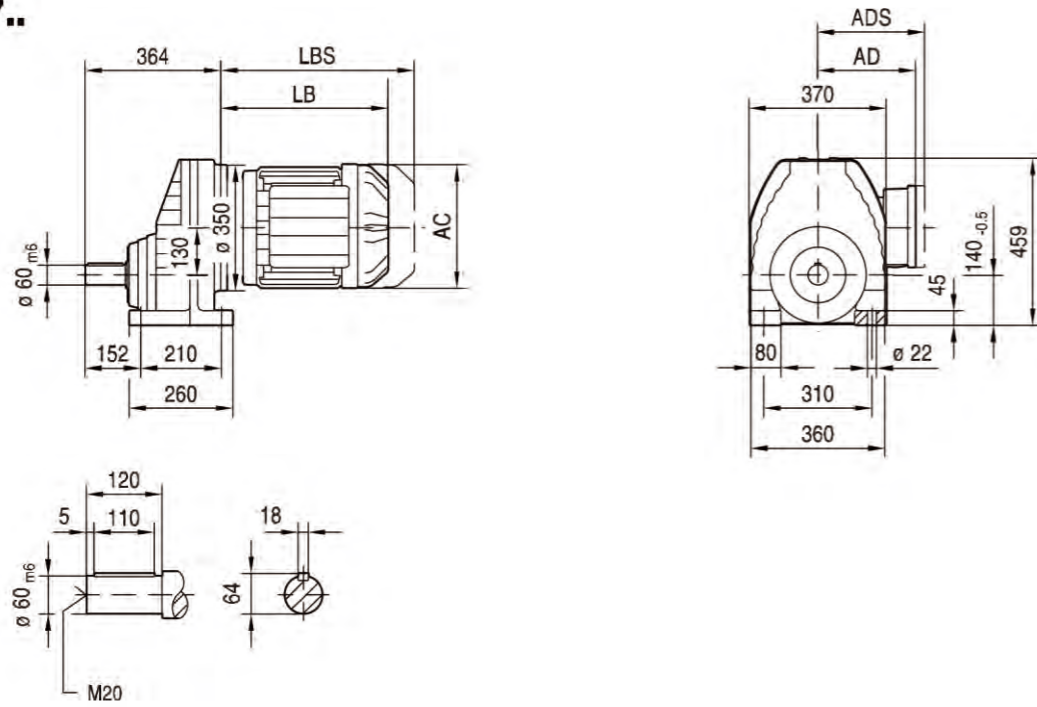


注: 1. LB、LBS、AC、AD、ADS尺寸详见附录A;
Note: 1. See appendix A for the size of LB&LBS&AC&AD&ADS;
2. 电机需方配或配特殊电机时需加联接法兰。(见附录B)
2. When equipping the user's motor or the special one, the flange is required to connected. (Please see appendix B)

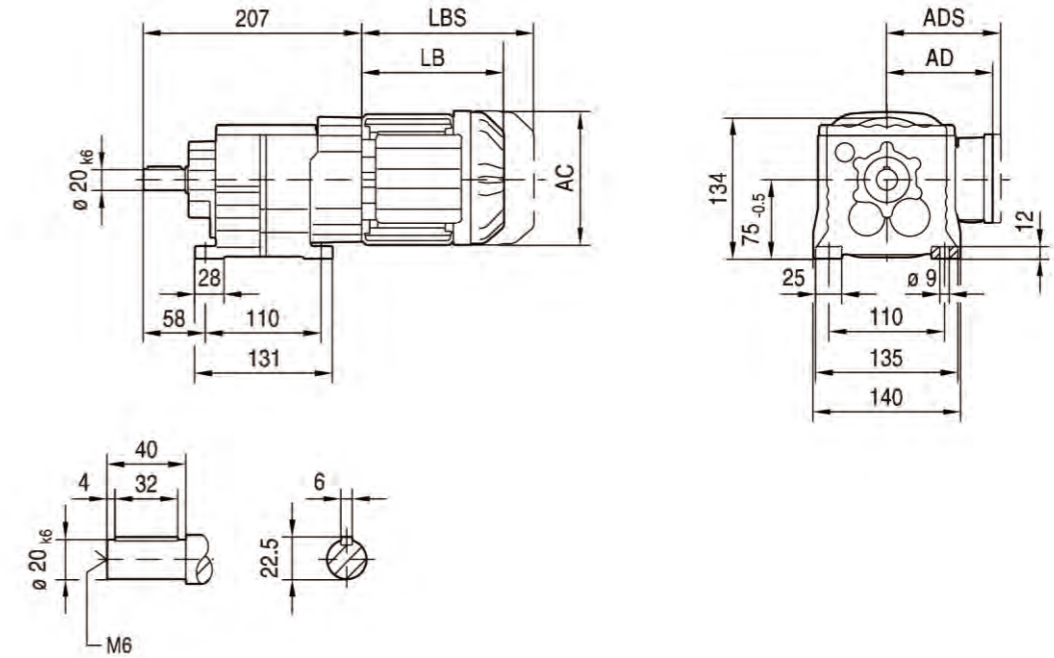
注: 1. LB、LBS、AC、AD、ADS尺寸详见附录A;
Note: 1. See appendix A for the size of LB&LBS&AC&AD&ADS;
2. 电机需方配或配特殊电机时需加联接法兰。(见附录B)
2. When equipping the user's motor or the special one, the flange is required to connected. (Please see appendix B)



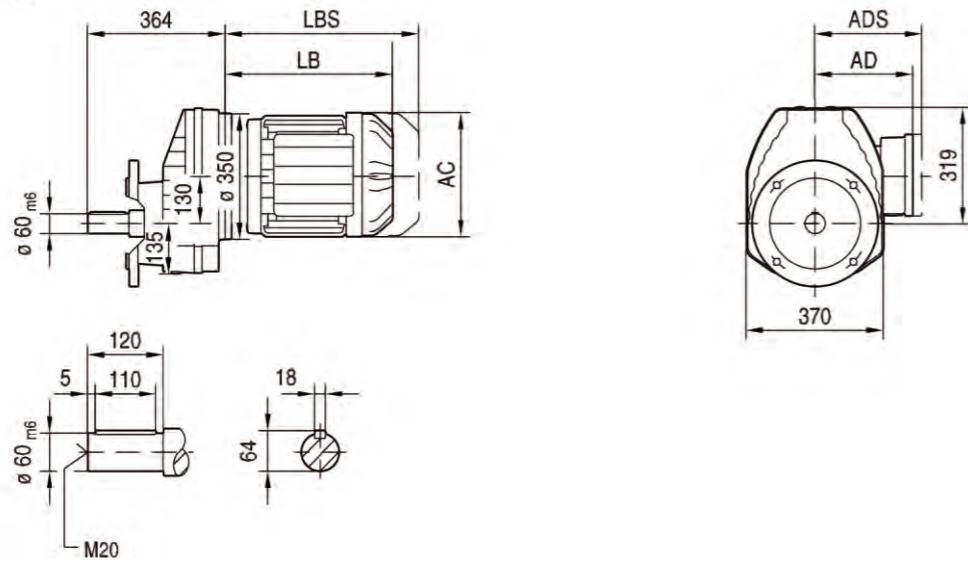
RX107..



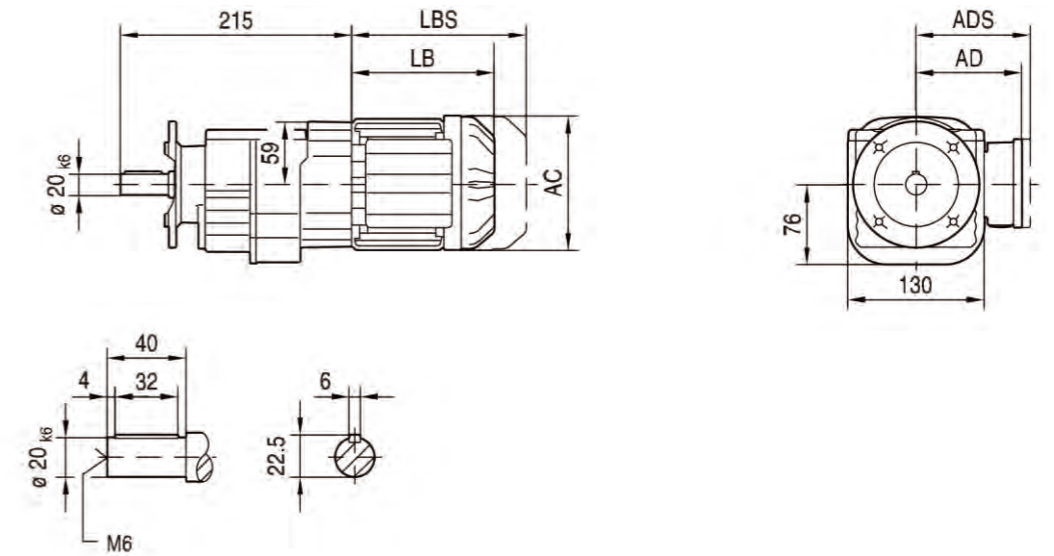
R17..



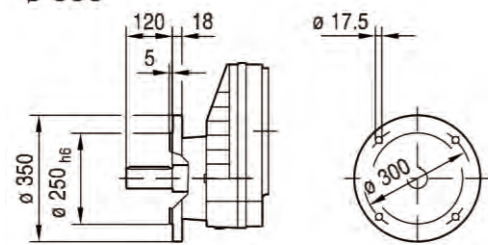
RXF107..



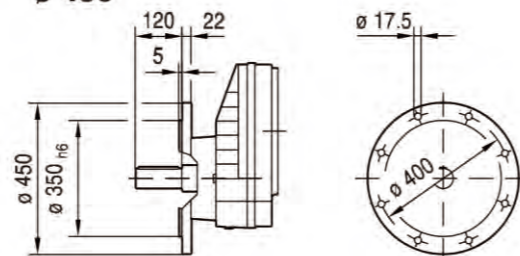
RF17..



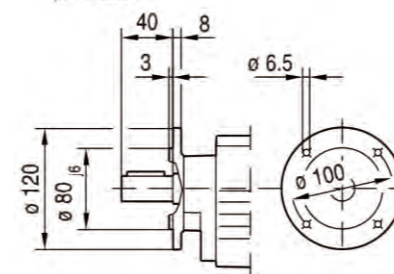
ø 350



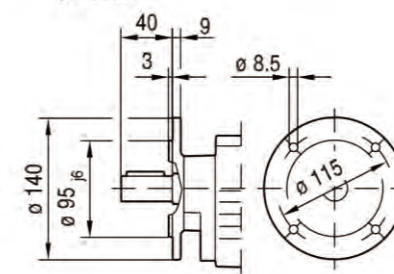
ø 450



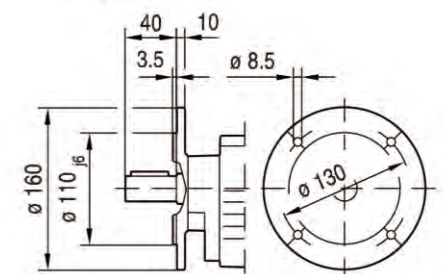
ø 120



ø 140



ø 160

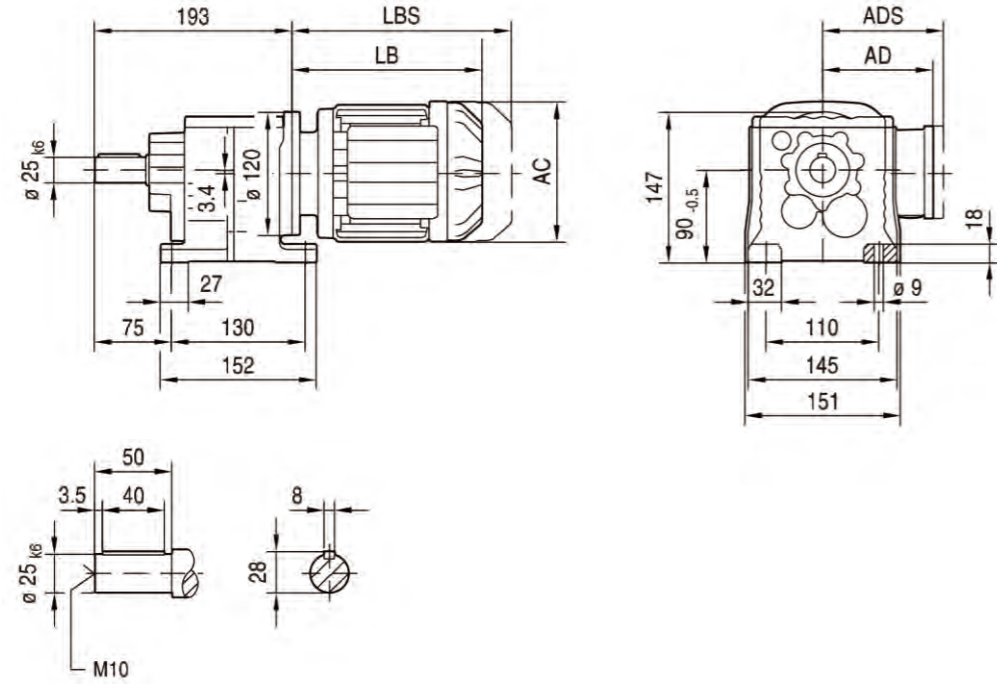


注： 1. LB、LBS、AC、AD、ADS尺寸详见附录A；
Note: 1. See appendix A for the size of LB&LBS&AC&AD&ADS;
2. 电机需方配或配特殊电机时需加联接法兰。(见附录B)
2. When equipping the user's motor or the special one, the flange is required to connected. (Please see appendix B)

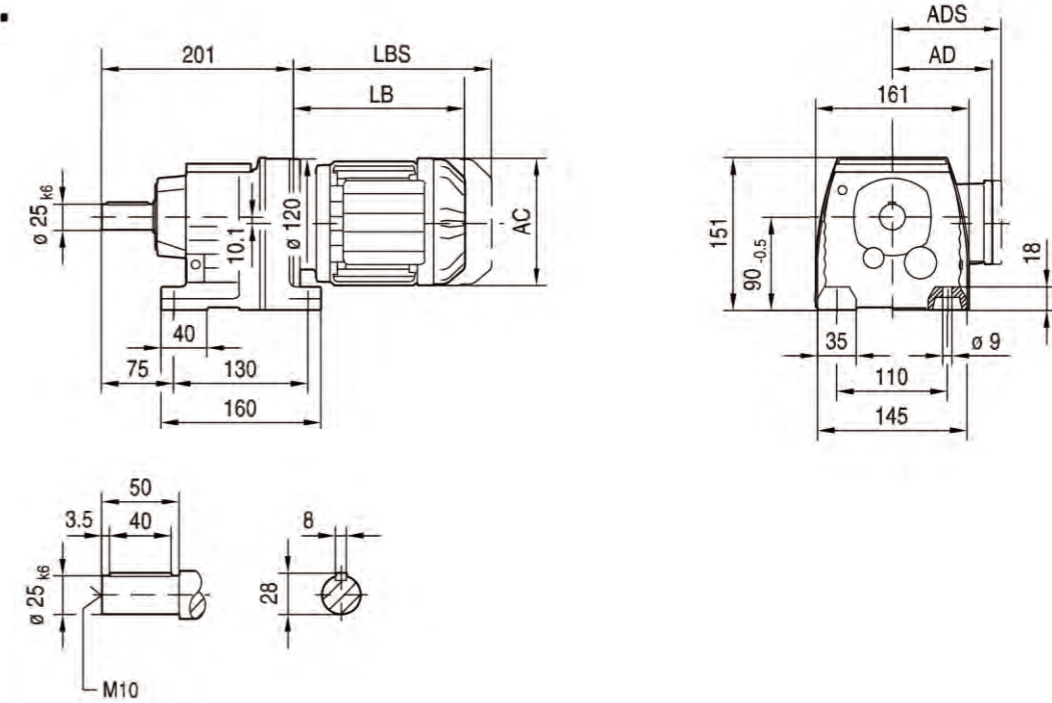
注： 1. LB、LBS、AC、AD、ADS尺寸详见附录A；
Note: 1. See appendix A for the size of LB&LBS&AC&AD&ADS;
2. 电机需方配或配特殊电机时需加联接法兰。(见附录B)
2. When equipping the user's motor or the special one, the flange is required to connected. (Please see appendix B)



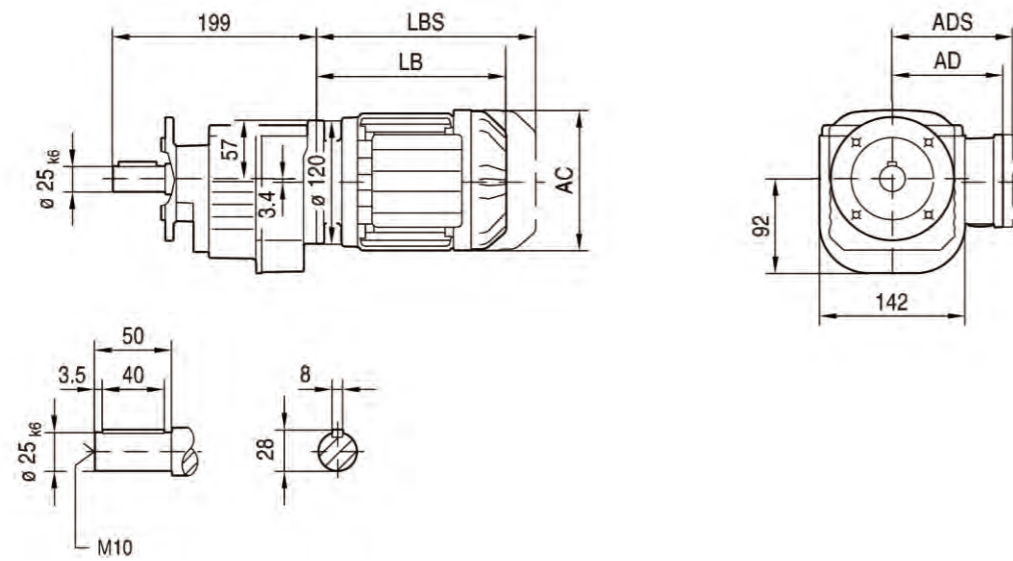
R27..



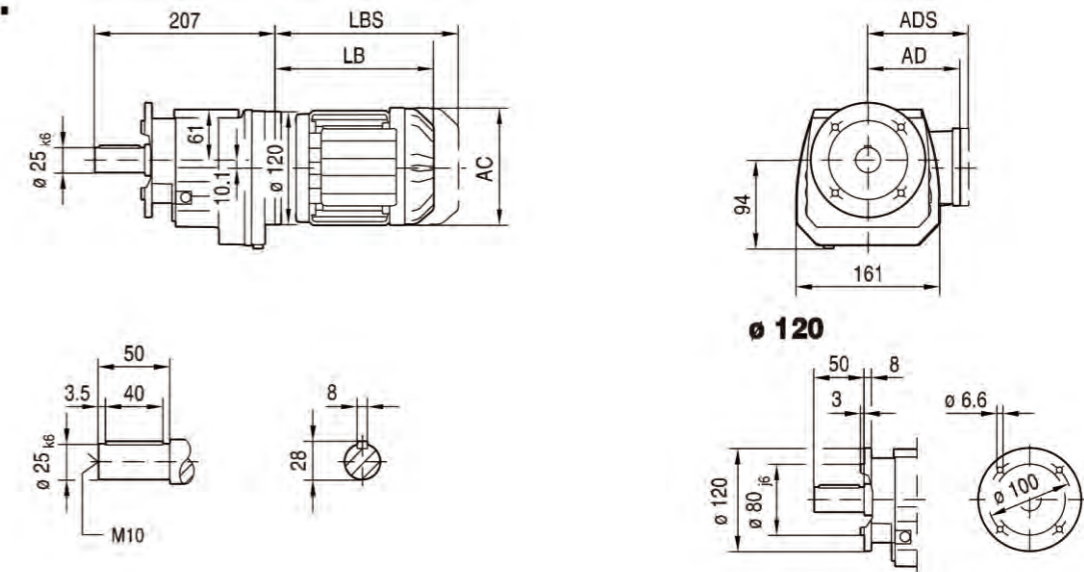
R37..



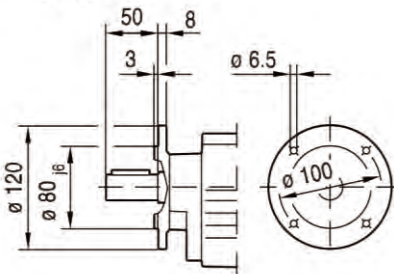
RF27..



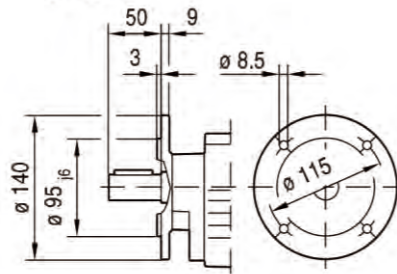
RF37..



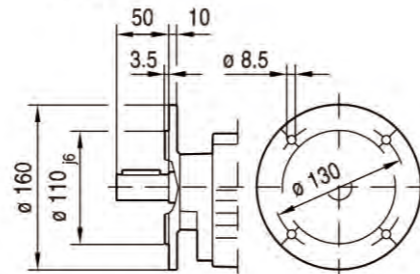
ø 120



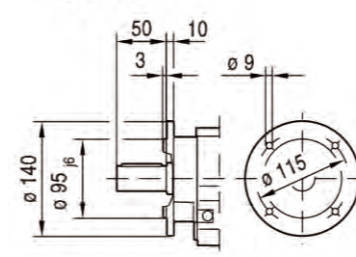
ø 140



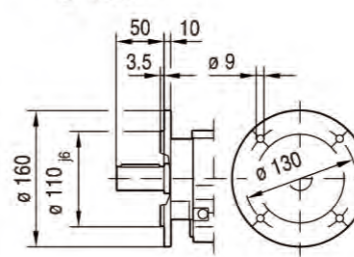
ø 160



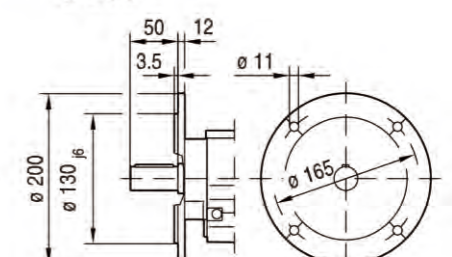
ø 140



ø 160



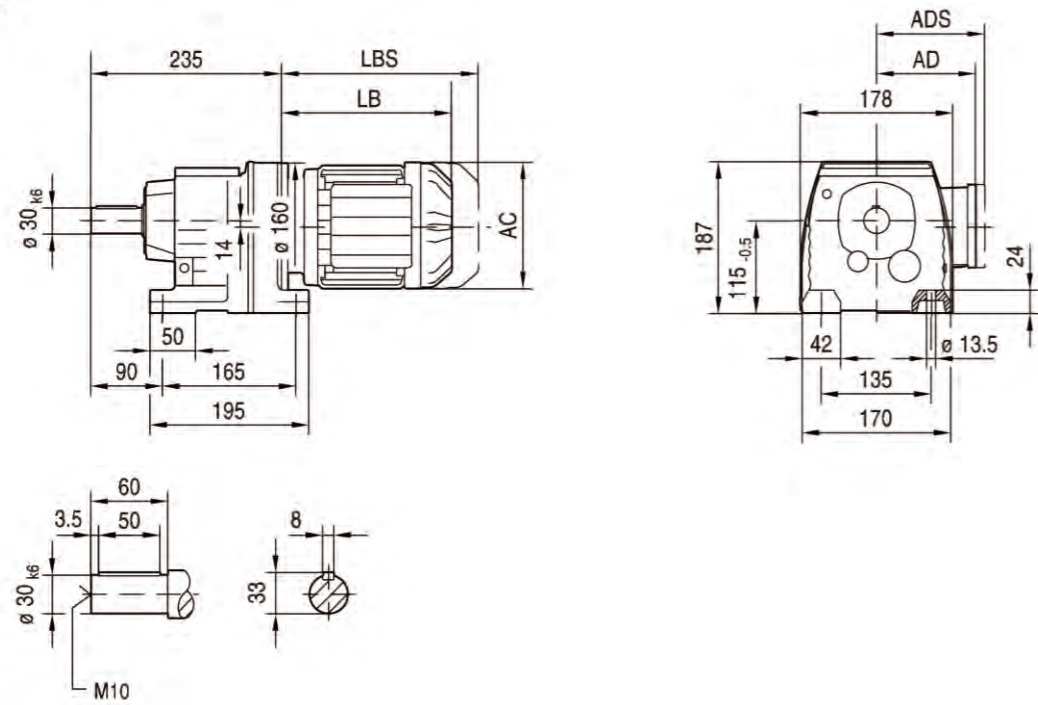
ø 200



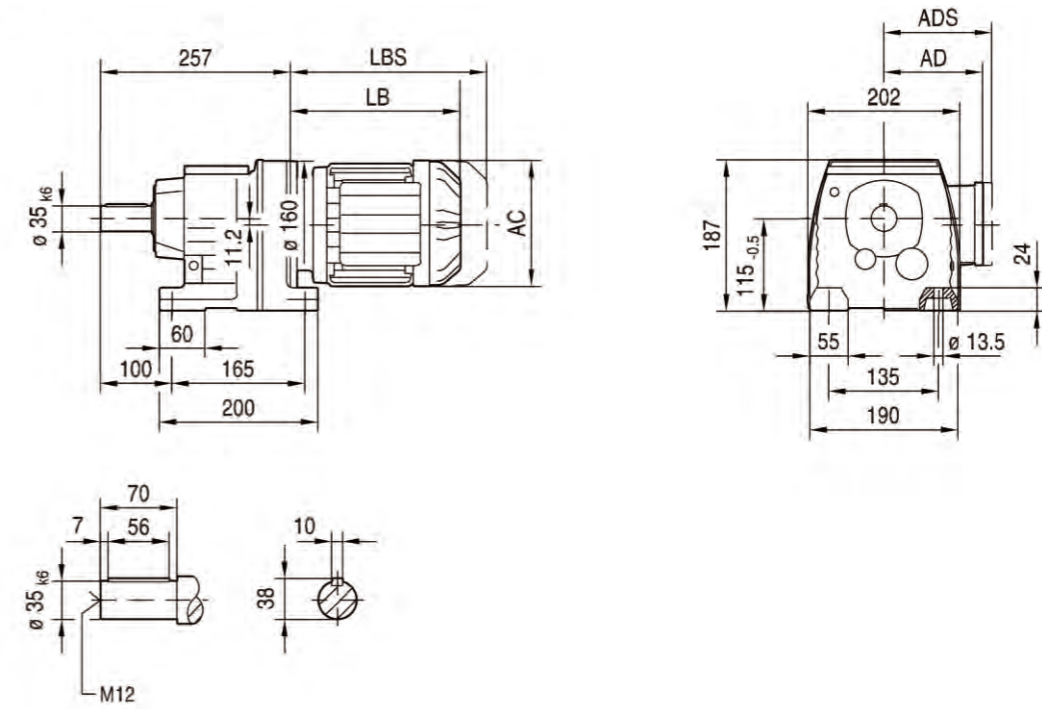
注: 1. LB、LBS、AC、AD、ADS尺寸详见附录A;
Note: 1. See appendix A for the size of LB&LBS&AC&AD&ADS;
2. 电机需方配或配特殊电机时需加联接法兰。(见附录B)
2. When equipping the user's motor or the special one, the flange is required to be connected. (Please see appendix B)

注: 1. LB、LBS、AC、AD、ADS尺寸详见附录A;
Note: 1. See appendix A for the size of LB&LBS&AC&AD&ADS;
2. 电机需方配或配特殊电机时需加联接法兰。(见附录B)
2. When equipping the user's motor or the special one, the flange is required to be connected. (Please see appendix B)

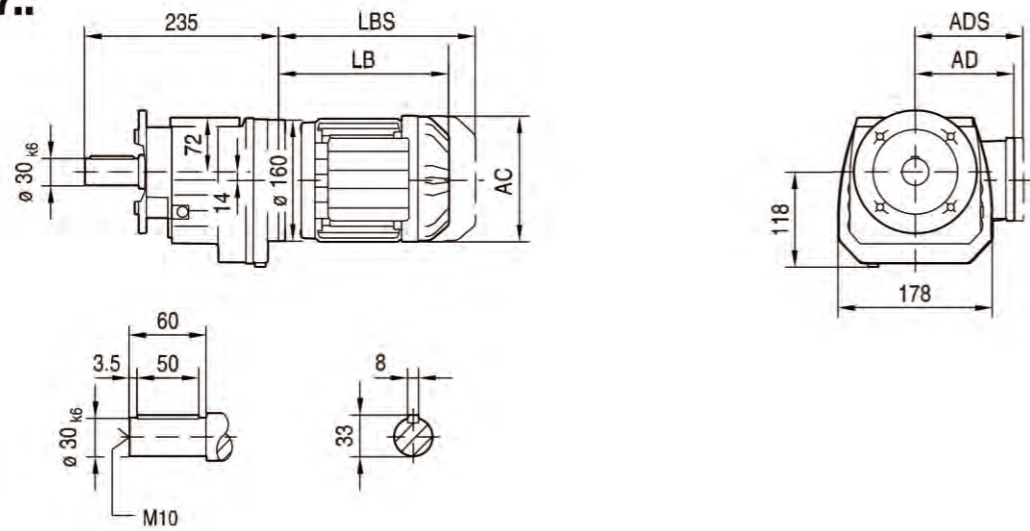
R47..



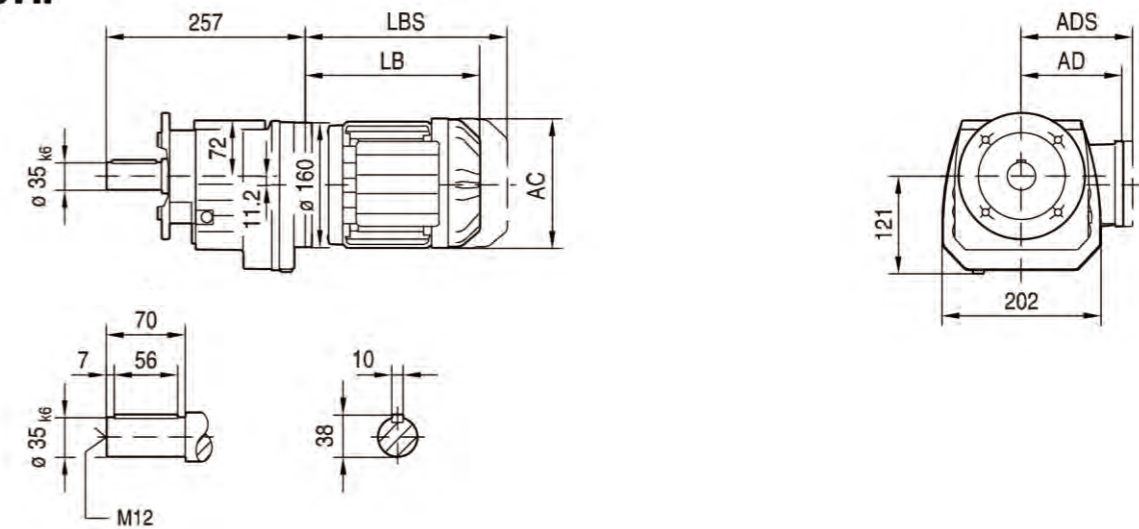
R57..



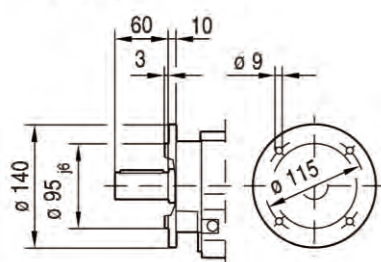
RF47..



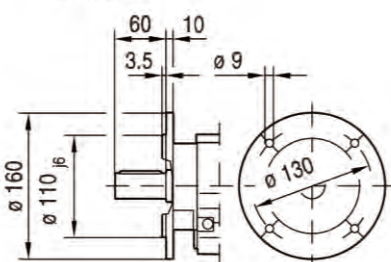
RF57..



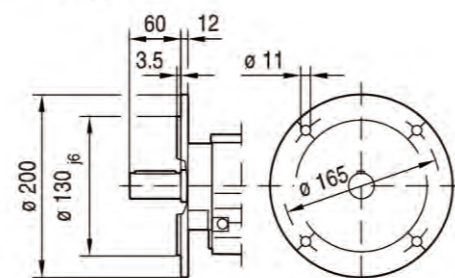
ø 140



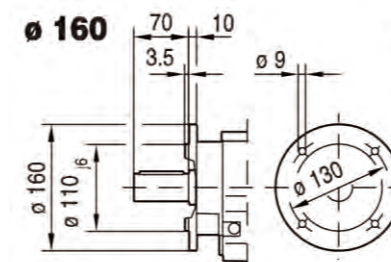
ø 160



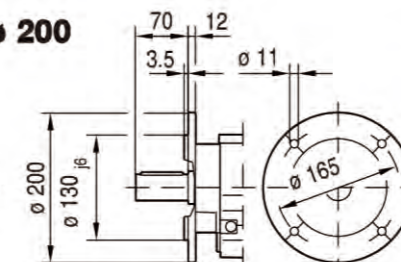
ø 200



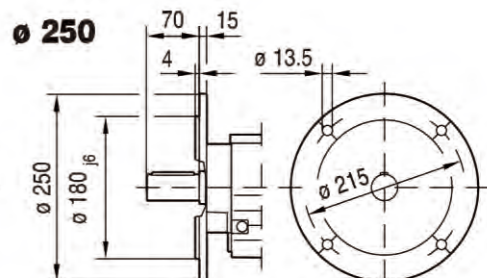
ø 160



ø 200



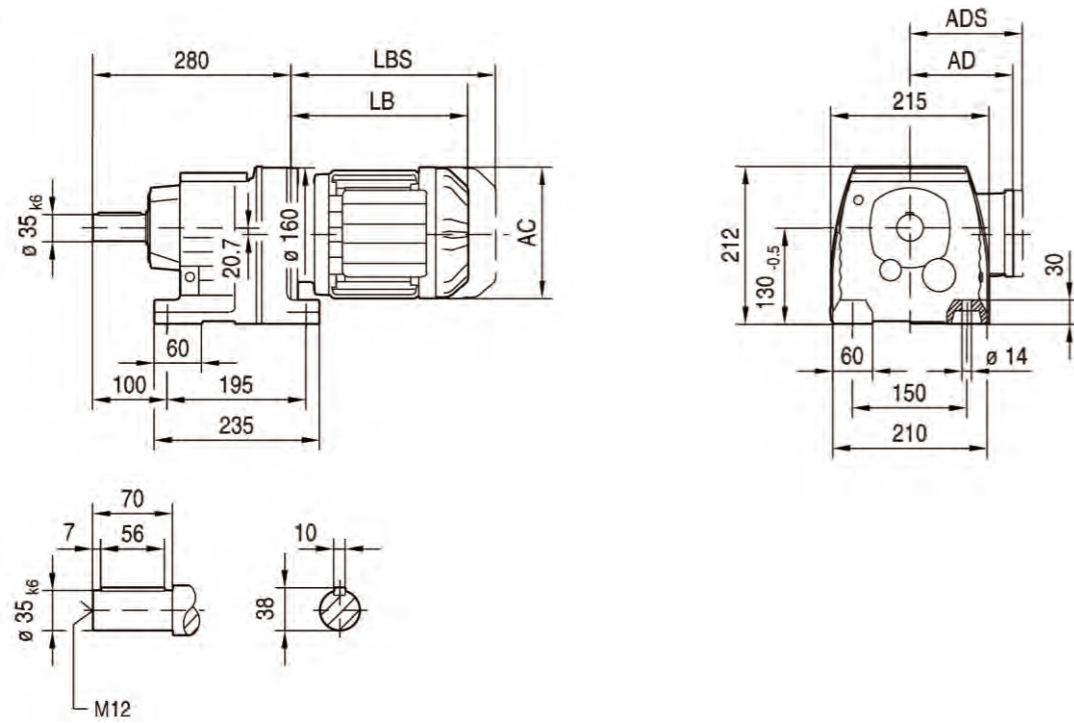
ø 250



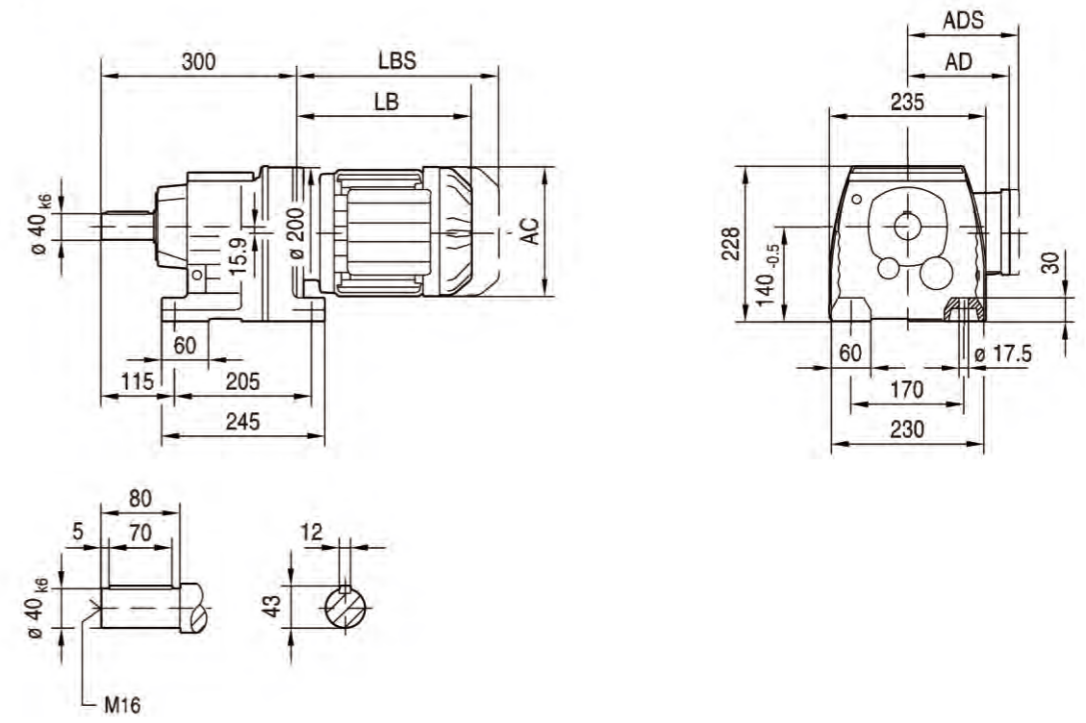
注: 1. LB、LBS、AC、AD、ADS尺寸详见附录A;
Note: 1. See appendix A for the size of LB&LBS&AC&AD&ADS;
2. 电机需方配或配特殊电机时需加连接法兰。(见附录B)
2. When equipping the user's motor or the special one, the flange is required to connected. (Please see appendix B)

注: 1. LB、LBS、AC、AD、ADS尺寸详见附录A;
Note: 1. See appendix A for the size of LB&LBS&AC&AD&ADS;
2. 电机需方配或配特殊电机时需加连接法兰。(见附录B)
2. When equipping the user's motor or the special one, the flange is required to connected. (Please see appendix B)

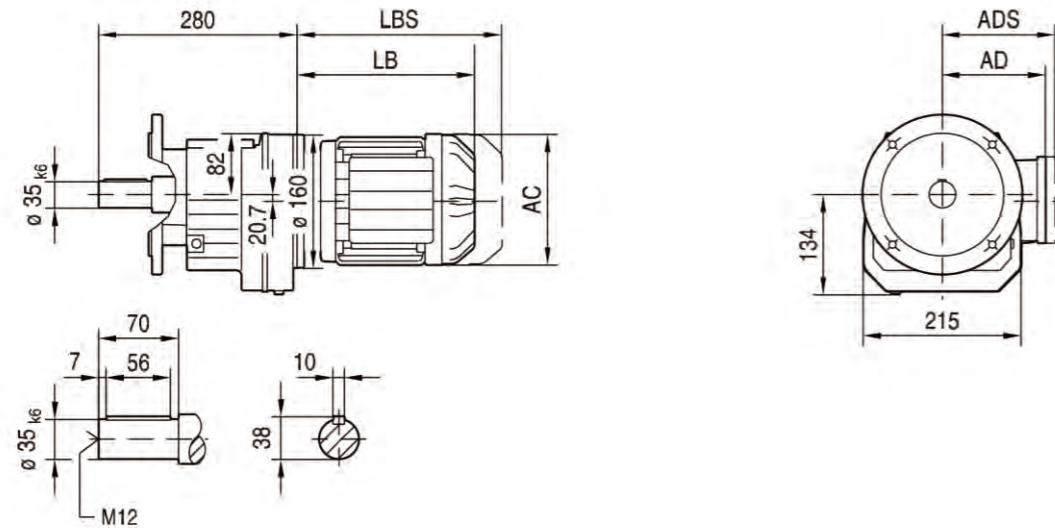
R67..



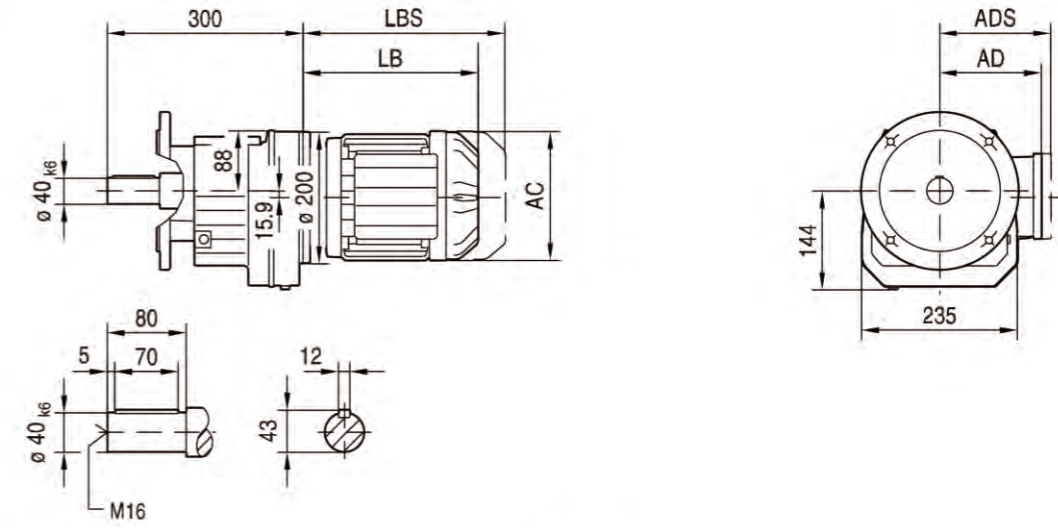
R77..



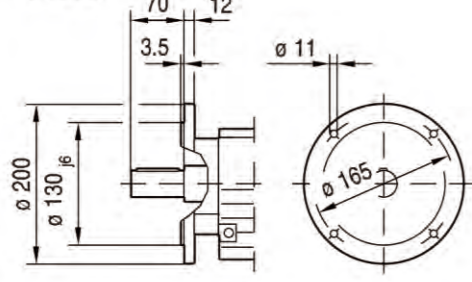
RF67..



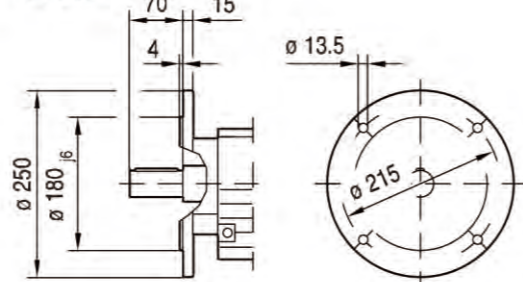
RF77..



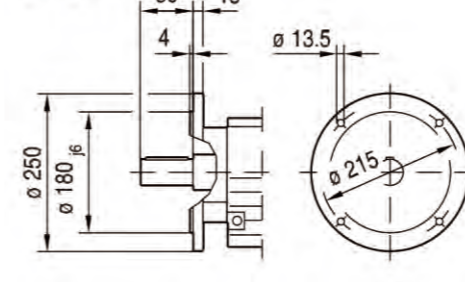
$\phi 200$



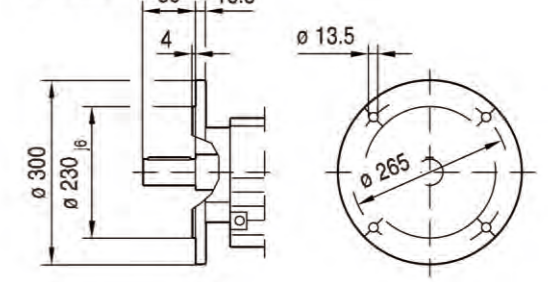
$\phi 250$



$\phi 250$



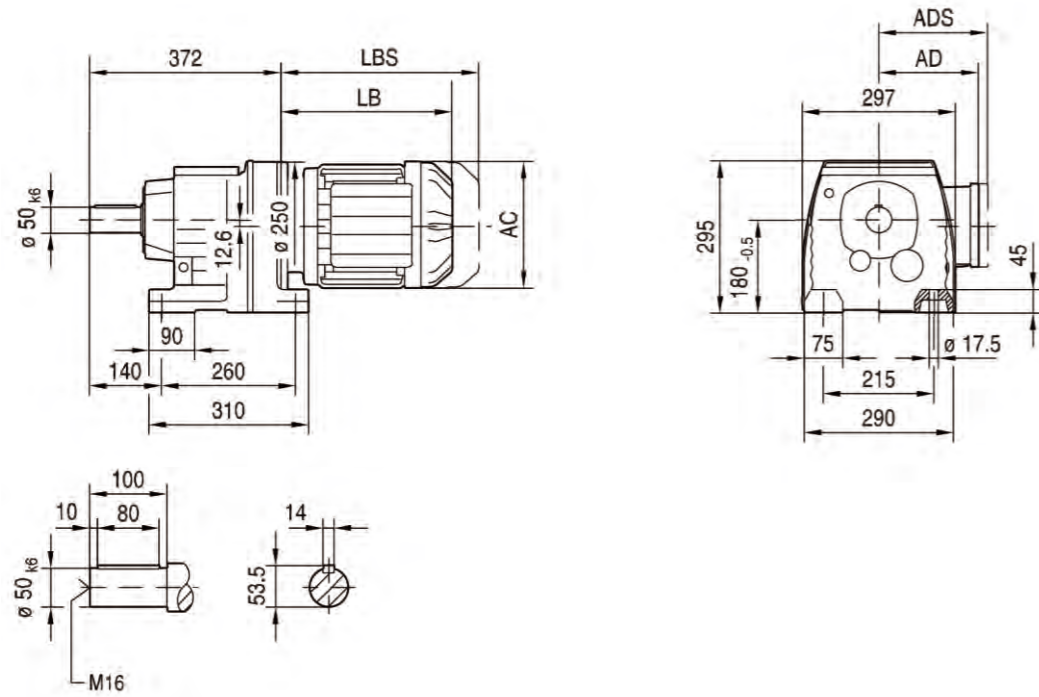
$\phi 300$



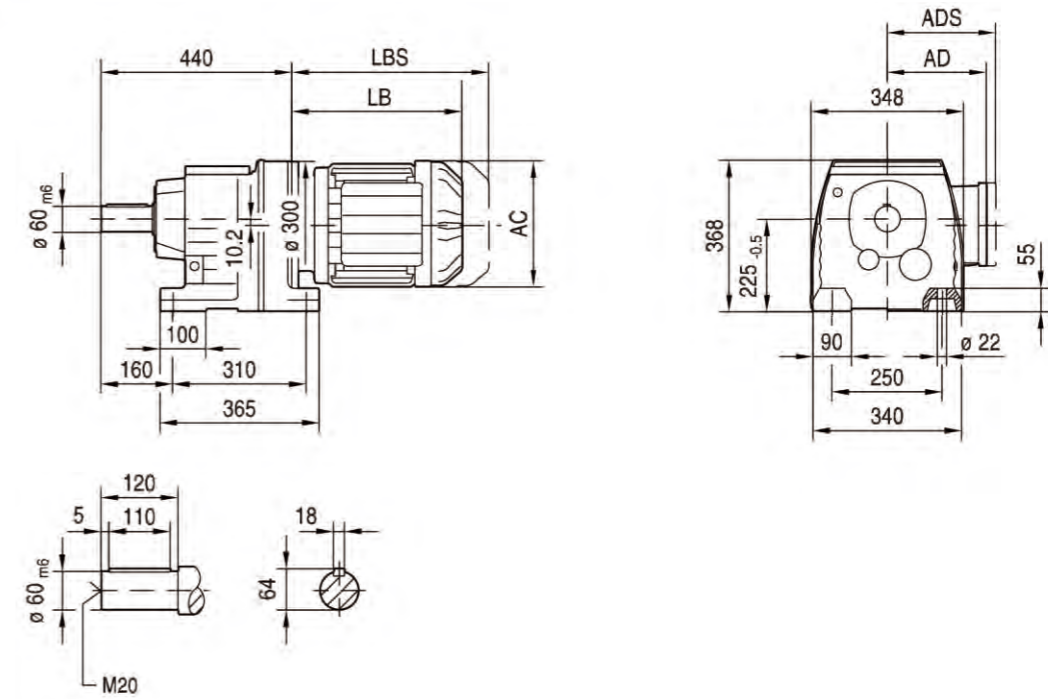
注: 1. LB、LBS、AC、AD、ADS尺寸详见附录A;
Note: 1. See appendix A for the size of LB&LBS&AC&AD&ADS;
2. 电机需方配或配特殊电机时需加联接法兰。(见附录B)
2. When equipping the user's motor or the special one, the flange is required to connected. (Please see appendix B)

注: 1. LB、LBS、AC、AD、ADS尺寸详见附录A;
Note: 1. See appendix A for the size of LB&LBS&AC&AD&ADS;
2. 电机需方配或配特殊电机时需加联接法兰。(见附录B)
2. When equipping the user's motor or the special one, the flange is required to connected. (Please see appendix B)

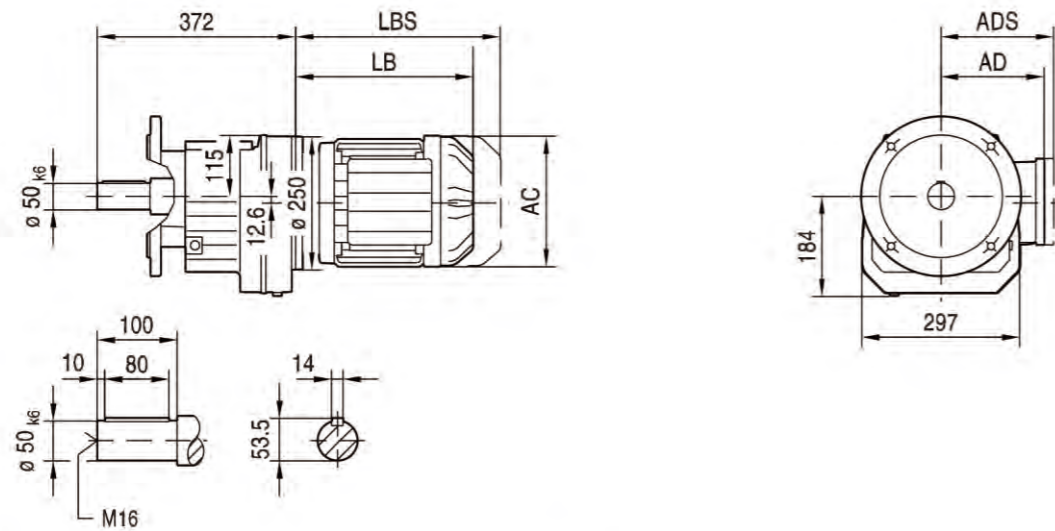
R87..



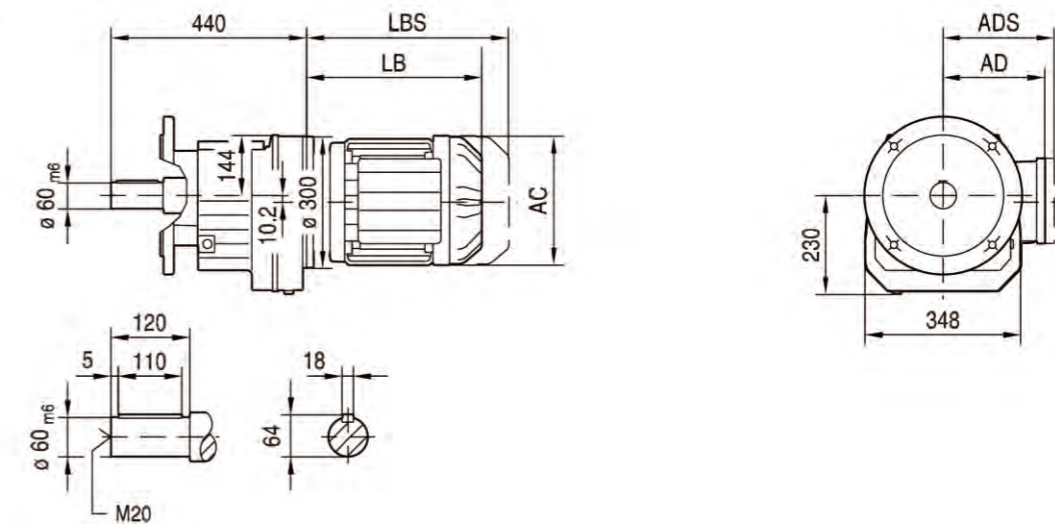
R97..



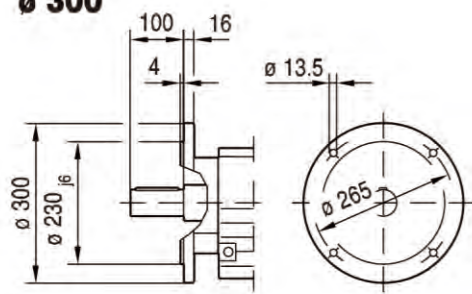
RF87..



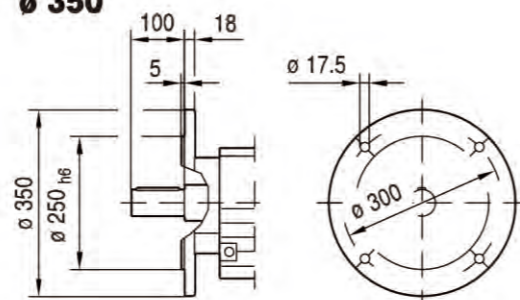
RF97..



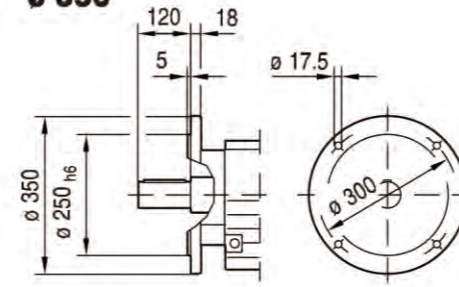
ø 300



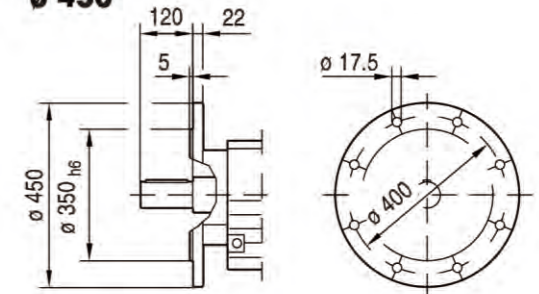
ø 350



ø 350



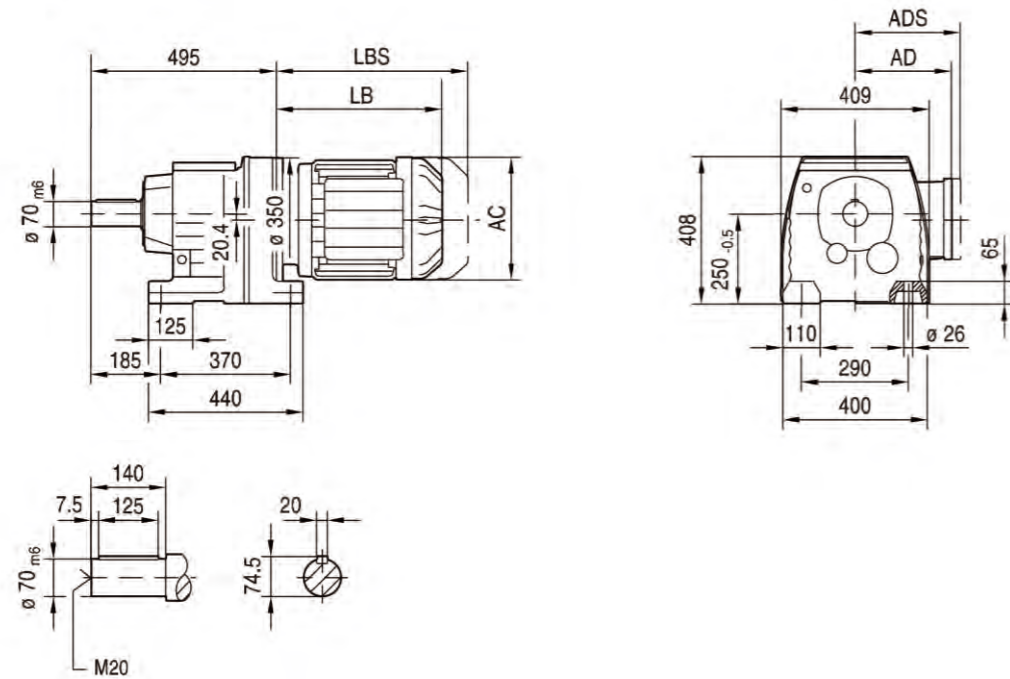
ø 450



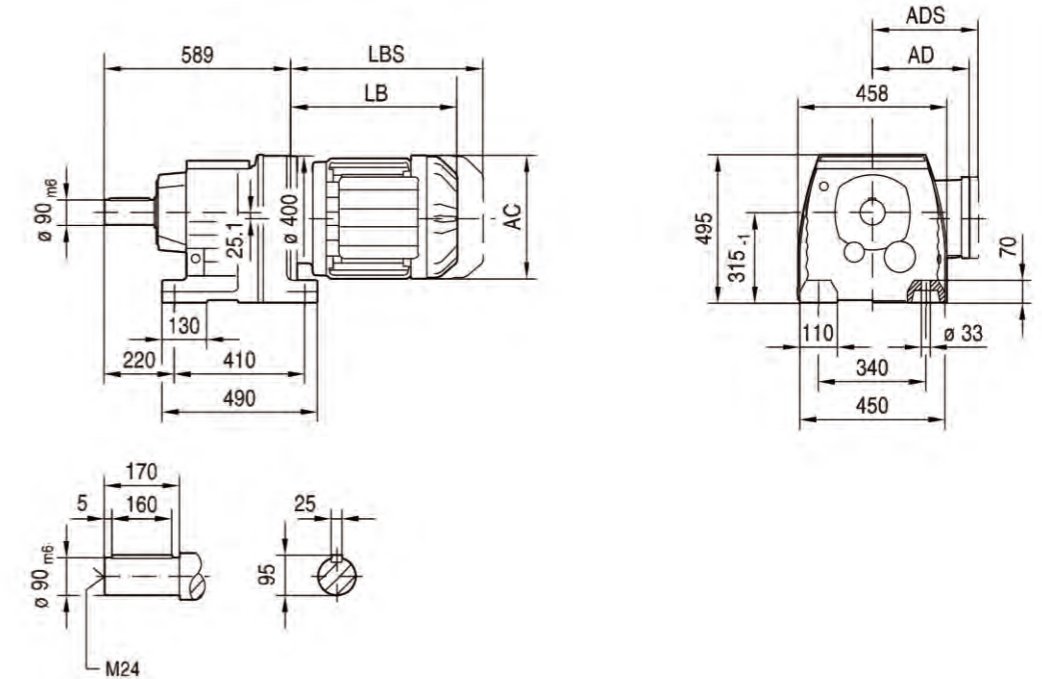
注： 1. LB、LBS、AC、AD、ADS尺寸详见附录A；
Note: 1. See appendix A for the size of LB&LBS&AC&AD&ADS;
2. 电机需方配或配特殊电机时需加联接法兰。(见附录B)
2. When equipping the user's motor or the special one, the flange is required to connected. (Please see appendix B)

注： 1. LB、LBS、AC、AD、ADS尺寸详见附录A；
Note: 1. See appendix A for the size of LB&LBS&AC&AD&ADS;
2. 电机需方配或配特殊电机时需加联接法兰。(见附录B)
2. When equipping the user's motor or the special one, the flange is required to connected. (Please see appendix B)

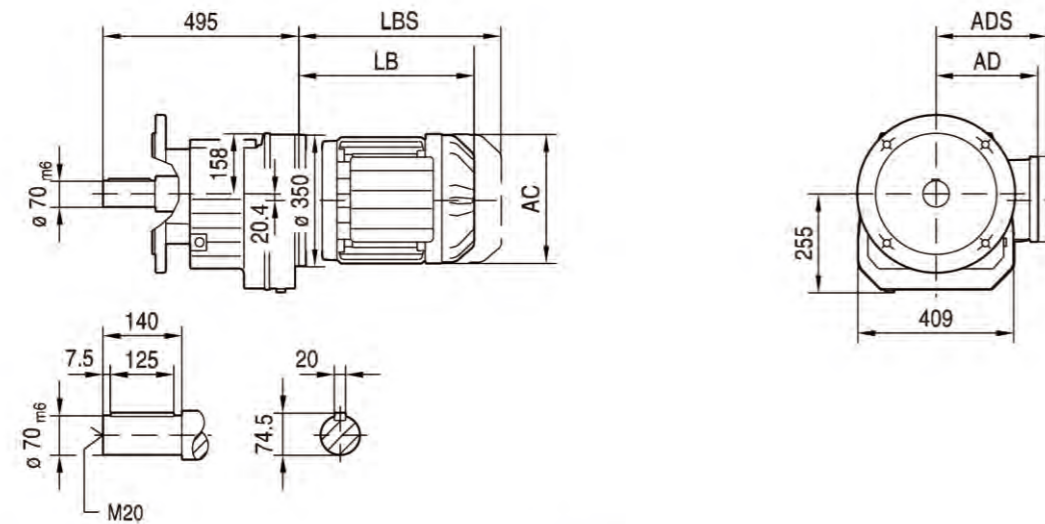
R107..



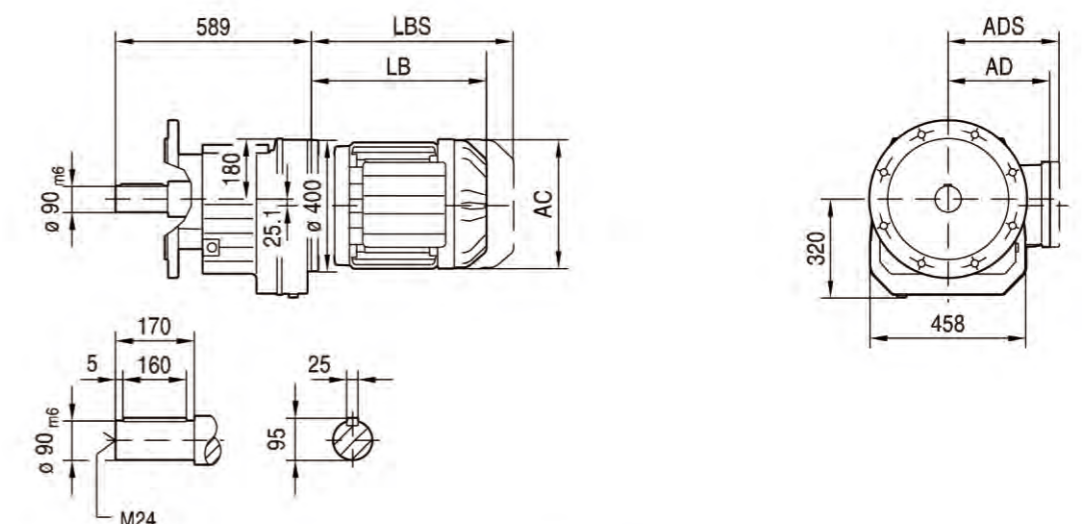
R137..



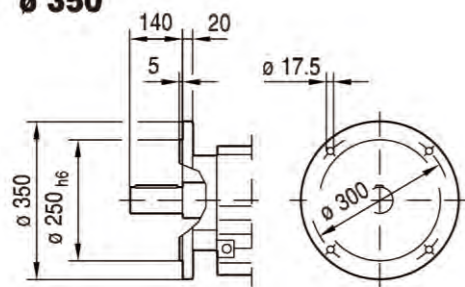
RF107..



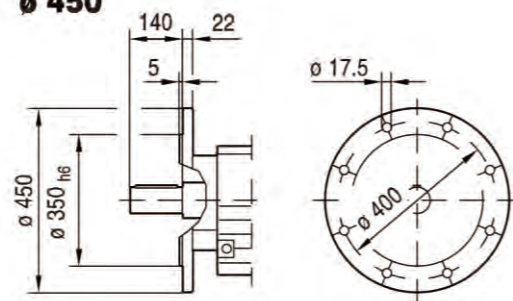
RF137..



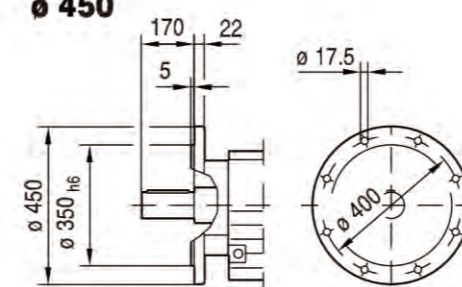
ø 350



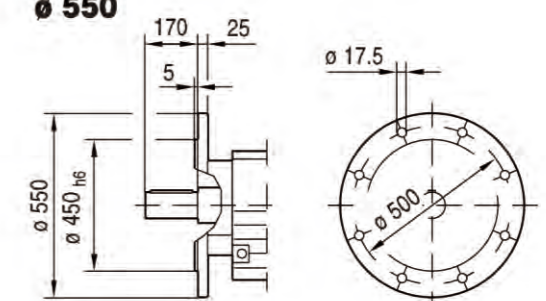
ø 450



ø 450



ø 550

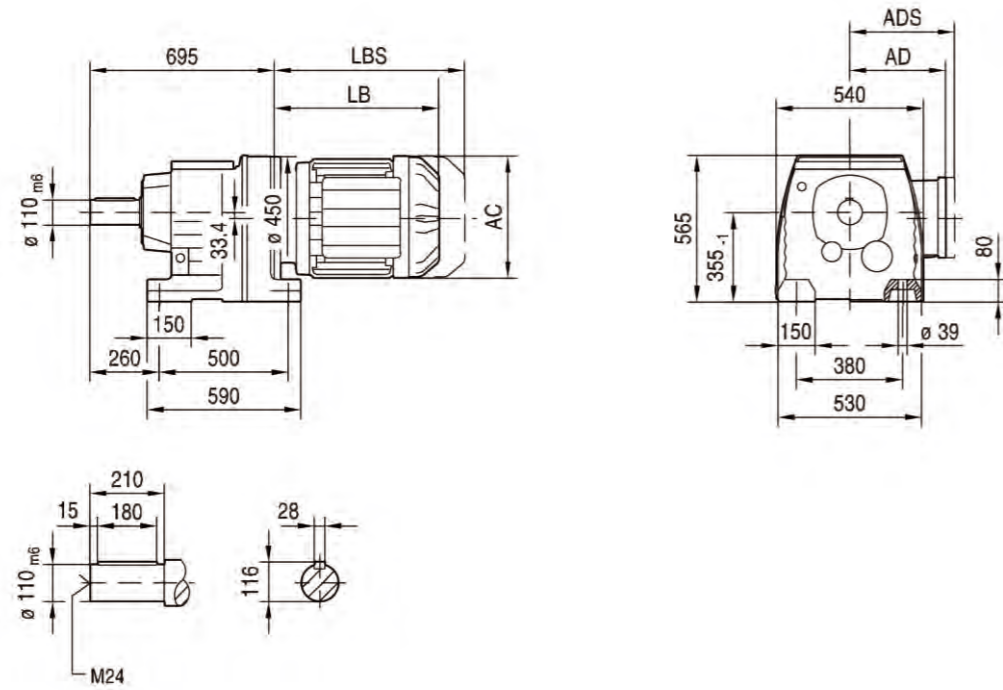


注： 1. LB、LBS、AC、AD、ADS尺寸详见附录A；
Note: 1. See appendix A for the size of LB&LBS&AC&AD&ADS;
2. 电机需方配或配特殊电机时需加联接法兰。(见附录B)
2. When equipping the user's motor or the special one, the flange is required to connected. (Please see appendix B)

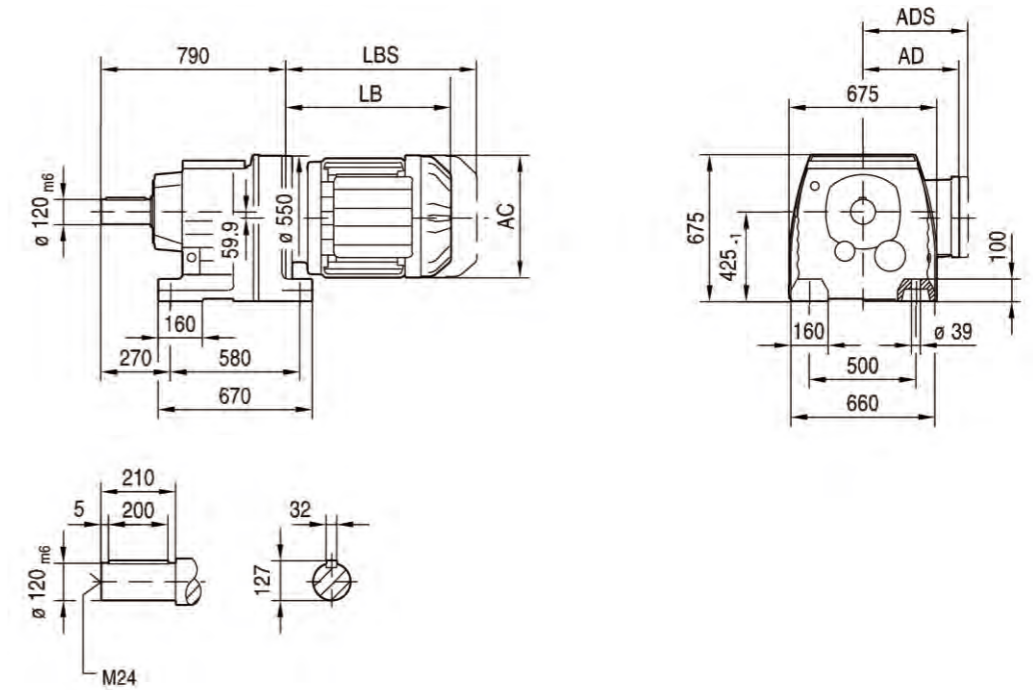
注： 1. LB、LBS、AC、AD、ADS尺寸详见附录A；
Note: 1. See appendix A for the size of LB&LBS&AC&AD&ADS;
2. 电机需方配或配特殊电机时需加联接法兰。(见附录B)
2. When equipping the user's motor or the special one, the flange is required to connected. (Please see appendix B)



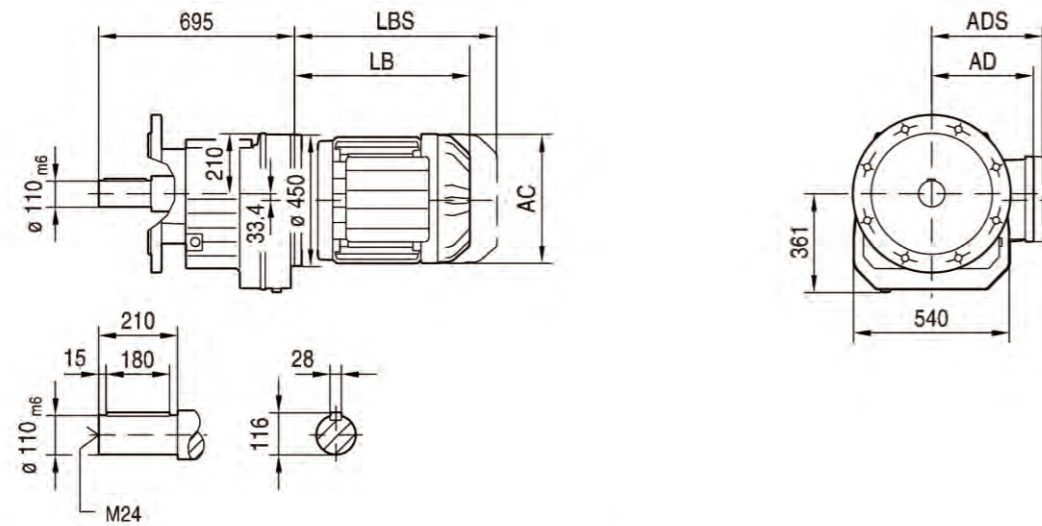
R147..



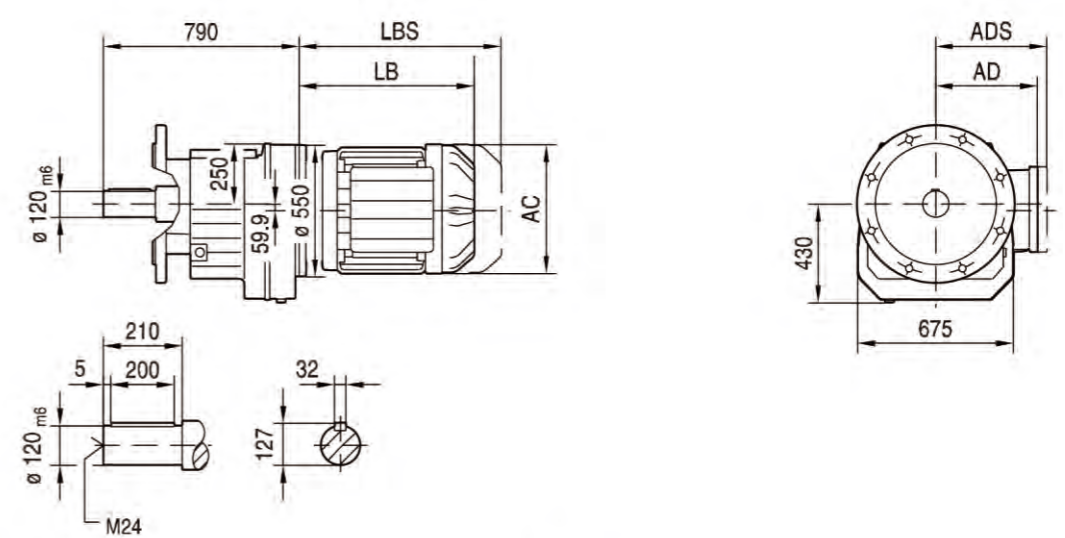
R167..



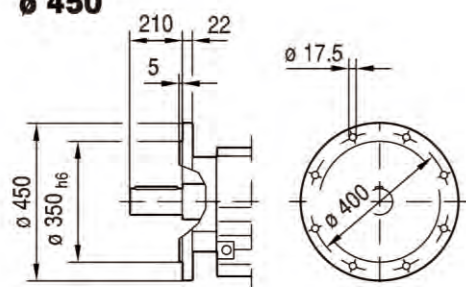
RF147..



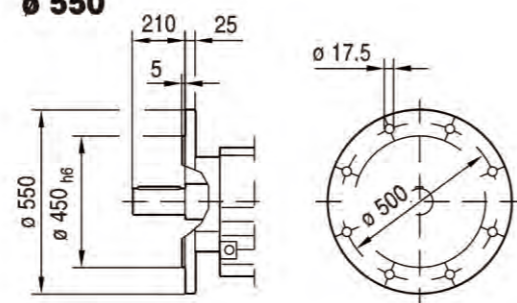
RF167..



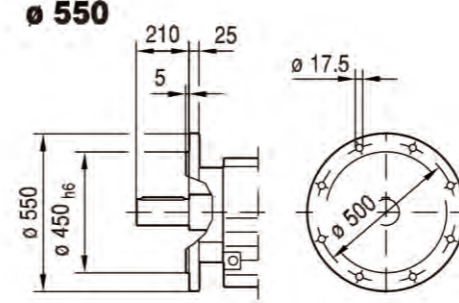
ø 450



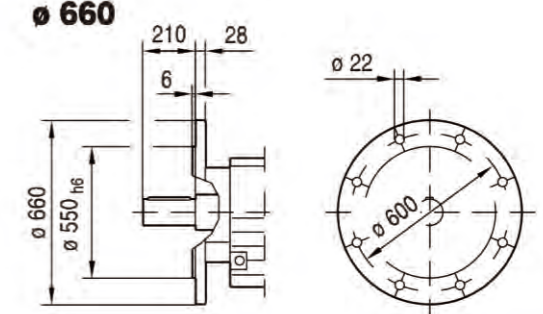
ø 550



ø 550



ø 660

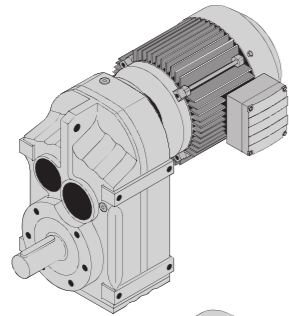


注: 1. LB、LBS、AC、AD、ADS尺寸详见附录A;
Note: 1. See appendix A for the size of LB&LBS&AC&AD&ADS;
2. 电机需方配或配特殊电机时需加联接法兰。(见附录B)
2. When equipping the user's motor or the special one, the flange is required to be connected. (Please see appendix B)

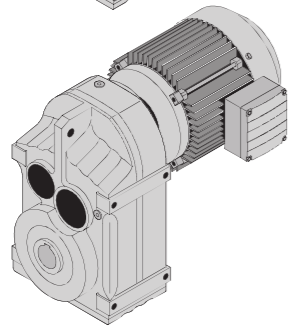
注: 1. LB、LBS、AC、AD、ADS尺寸详见附录A;
Note: 1. See appendix A for the size of LB&LBS&AC&AD&ADS;
2. 电机需方配或配特殊电机时需加联接法兰。(见附录B)
2. When equipping the user's motor or the special one, the flange is required to be connected. (Please see appendix B)

F系列产品设计方案

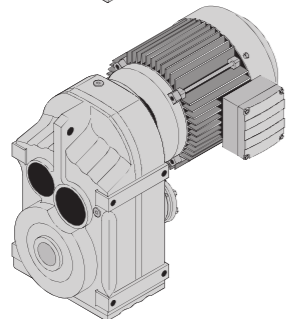
F series Products design



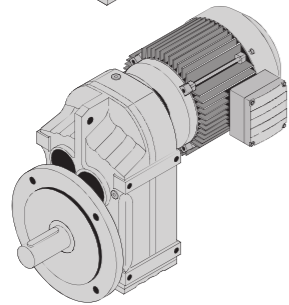
F..Y..
底脚安装平行轴-斜齿轮减速机
Foot mounting parallel shaft-helical gear speed reducers



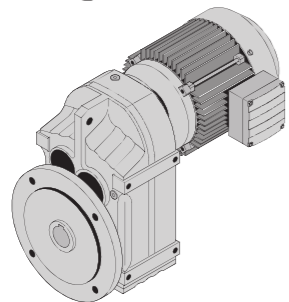
FAB..Y..
底脚空心轴安装平行轴-斜齿轮减速机
Foot hollow shaft mounting parallel shaft-helical gear speed reducers



FVB..Y..
底脚花键空心轴安装平行轴-斜齿轮减速机
Foot and spline hollow shaft mounting parallel shaft-helical gear speed reducers



FHB..Y..
底脚空心轴锁紧盘安装平行轴-斜齿轮减速机
Foot hollow shaft and locked-dish mounting parallel shaft-helical gear speed reducers

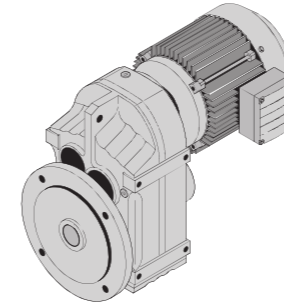


FF..Y..
B5法兰安装平行轴-斜齿轮减速机
B5 flange mounting parallel shaft-helical gear speed reducers

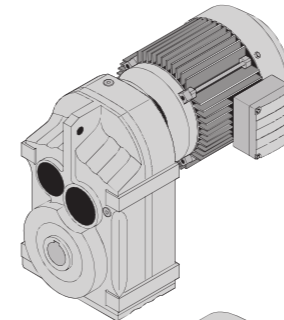
FAF..Y..
B5法兰空心轴安装平行轴-斜齿轮减速机
FVF..Y..
B5法兰花键空心轴安装平行轴-斜齿轮减速机
B5 flange spline mounting parallel shaft-helical gear speed reducers

F系列产品设计方案

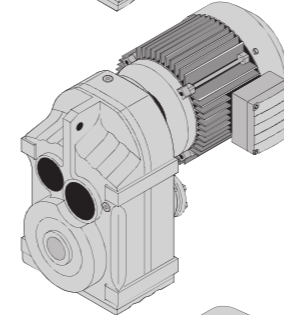
F series Products design



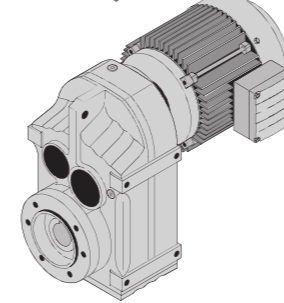
FHF..Y..
B5法兰空心轴锁紧盘安装平行轴-斜齿轮减速机
FHF..Y..
B5 flange hollow shaft and locked-dish mounting parallel shaft-helical gear speed reducers



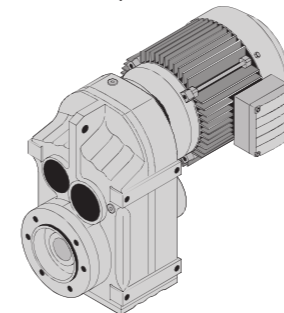
FA..Y..
空心轴安装平行轴-斜齿轮减速机
Hollow shaft mounting parallel shaft-helical gear speed reducers



FV..Y..
花键空心轴安装平行轴-斜齿轮减速机
spline hollow shaft mounting parallel shaft-helical gear speed reducers



FH..Y..
空心轴锁紧盘安装平行轴-斜齿轮减速机
Hollow shaft and locked-dish mounting parallel shaft-helical gear speed reducers



FAZ..Y..
B14法兰空心轴安装平行轴-斜齿轮减速机
B14 flange hollow shaft mounting parallel shaft-helical gear speed reducers

FVZ..Y..
B14法兰花键空心轴安装平行轴-斜齿轮减速机
B14 flange spline and hollow shaft mounting parallel shaft-helical gear speed reducers

FHZ..Y..
B14法兰空心轴锁紧盘安装平行轴-斜齿轮减速机
B14 flange flower hollow shaft and locked-dish mounting parallel shaft-helical gear speed reducers



输出转速 Output speed n_2 [r/min]	输出转矩 Output torque T_a [N·m]	传动比 Ratio i	径向负荷 Permitted load FR2 [N]	使用系数 Service factor f_B	机型号 Model
0.12kW					
0.06	15000	22323	84600	0.80	
0.07	12600	19048	89300	0.95	
0.08	10800	16656	90000	1.10	FA
0.09	9870	14722	96000	1.20	FAF 127 R77 Y63S4
0.11	7980	12912	90000	1.50	F 127 R77 Y63S4
0.12	7090	11656	90000	1.70	FF 127 R77 Y63S4
0.14	6300	10191	90000	1.90	
0.09	9590	14767	44400	0.80	
0.12	7610	11348	50000	1.00	
0.14	5890	10039	54300	1.30	
0.16	4880	8548	56600	1.55	FA 107 R77 Y63S4
0.18	4740	7874	56900	1.80	FAF 107 R77 Y63S4
0.20	4120	6767	58200	1.85	F 107 R77 Y63S4
0.23	3530	5954	59400	2.2	FF 107 R77 Y63S4
0.26	3070	5223	60300	2.5	
0.30	2890	4567	60600	2.7	
0.39	2140	3521	61900	3.6	
0.19	4800	7328	23100	0.90	FA 97 R57 Y63S4
0.21	4040	6469	30700	1.05	FAF 97 R57 Y63S4
0.25	3680	5615	31600	1.15	F 97 R57 Y63S4
0.28	3200	4961	32800	1.35	FF 97 R57 Y63S4
0.32	2800	4333	33800	1.55	
0.35	2550	3906	34300	1.70	FA 97 R57 Y63S4
0.41	2210	3352	35000	1.95	FAF 97 R57 Y63S4
0.47	1820	2907	35700	2.4	F 97 R57 Y63S4
0.54	1670	2553	36000	2.6	FF 97 R57 Y63S4
0.28	3250	4954	3640	0.90	FA 87 R57 Y63S4
0.33	2690	4245	24100	1.10	FAF 87 R57 Y63S4
0.37	2200	3721	25800	1.35	F 87 R57 Y63S4
0.43	2140	3244	26000	1.40	FF 87 R57 Y63S4
0.48	1900	2881	26700	1.60	
0.54	1700	2576	27300	1.75	FA 87 R57 Y63S4
0.63	1440	2199	28000	2.1	FAF 87 R57 Y63S4
0.72	1240	1930	28400	2.4	F 87 R57 Y63S4
0.81	1120	1709	28700	2.7	FF 87 R57 Y63S4
0.92	980	1493	29000	3.0	
1.1	785	1300	29400	3.8	
1.2	710	1148	29500	4.2	
0.53	1750	2613	13800	0.85	FA 77 R37 Y63S4
0.60	1520	2284	15600	1.00	FAF 77 R37 Y63S4
0.68	1340	2029	16700	1.10	F 77 R37 Y63S4
0.80	1130	1728	17800	1.35	FF 77 R37 Y63S4
0.89	1040	1544	18200	1.45	
1.0	910	1354	18600	1.65	FA 77 R37 Y63S4
1.1	810	1200	19000	1.85	FAF 77 R37 Y63S4
1.3	710	1053	19200	2.1	F 77 R37 Y63S4
1.5	605	910	19500	2.5	FF 77 R37 Y63S4
1.7	510	810	19700	2.9	
1.9	445	710	19800	3.4	
0.97	920	1429	9270	0.90	
1.1	830	1271	10200	1.00	
1.2	700	1102	11300	1.15	
1.4	615	970	11800	1.35	FA 67 R37 Y63S4
1.6	540	858	12200	1.50	FAF 67 R37 Y63S4
1.8	475	755	12500	1.75	F 67 R37 Y63S4
2.2	405	641	12800	2.0	FF 67 R37 Y63S4
2.4	375	572	12900	2.2	
2.7	320	509	13000	2.6	
3.2	275	437	13000	3.0	

输出转速 Output speed n_2 [r/min]	输出转矩 Output torque T_a [N·m]	传动比 Ratio i	径向负荷 Permitted load FR2 [N]	使用系数 Service factor f_B	机型号 Model
0.12kW					
1.4	655	967	5860	0.90	
1.6	585	851	9320	1.05	FA 57 R37 Y63S4
1.9	500	738	9920	1.20	FAF 57 R37 Y63S4
2.1	435	648	10400	1.40	F 57 R37 Y63S4
2.5	370	558	10700	1.60	FF 57 R37 Y63S4
2.7	330	506	11000	1.80	
3.0	285	452	11200	2.1	
3.2	295	426	11200	2.0	FA 57 R37 Y63S4
3.6	260	382	11300	2.3	FAF 57 R37 Y63S4
4.2	225	330	11500	2.7	F 57 R37 Y63S4
4.6	200	298	11500	3.0	FF 57 R37 Y63S4
5.3	177	262	11500	3.4	
2.2	425	622	3390	0.95	FA 47 R17 Y63S4
2.5	370	543	6320	1.10	FAF 47 R17 Y63S4
2.9	320	475	6890	1.25	F 47 R17 Y63S4
3.3	280	419	7250	1.45	FF 47 R17 Y63S4
2.6	365	524	6390	1.10	
2.8	340	489	6690	1.20	FA 47 R17 Y63S4
3.2	290	427	7130	1.35	FAF 47 R17 Y63S4
3.6	260	381	7400	1.55	F 47 R17 Y63S4
4.1	225	334	7610	1.75	FF 47 R17 Y63S4
4.7	198	295	7780	2.0	
5.4	166	253	7940	2.4	
4.3	210	322	4130	0.95	FA 37 R17 Y63S4
5.0	184	278	4510	1.10	FAF 37 R17 Y63S4
5.7	157	242	4810	1.30	F 37 R17 Y63S4
6.2	149	221	4890	1.35	FF 37 R17 Y63S4
4.2	225	326	3890	0.90	
4.8	195	285	4370	1.05	FA 37 R17 Y63S4
5.5	170	250	4670	1.20	FAF 37 R17 Y63S4
6.3	150	219	4880	1.35	F 37 R17 Y63S4
7.4	127	186	5080	1.60	FF 37 R17 Y63S4
8.3	114	167	5170	1.75	
3.9	290	228.99	13000	2.8	FA 67 Y63M6
4.6	250	195.39	13000	3.3	FAF 67 Y63M6
5.3	220	170.85	13000	3.8	F 67 Y63M6
5.6	205	162.31	13000	4.0	FF 67 Y63M6
6.3	181	142.40	13000	4.5	
4.5	255	199.70	11400	2.4	FA 57 Y63M6
4.9	235	183.60	11500	2.6	FAF 57 Y63M6
5.7	200	157.09	11500	3.0	F 57 Y63M6
6.6	173	136.16	11500	3.5	FF 57 Y63M6
7.1	162	127.27	11500	3.7	
6.9	166	199.70	11500	3.6	FA 57 Y63S4
7.5	153	183.60	11500	3.9	FAF 57 Y63S4
8.8	130	157.09	11500	4.6	F 57 Y63S4
10	113	136.16	11500	5.3	FF 57 Y63S4
4.7	245	190.76	7510	1.65	
5.1	225	175.38	7640	1.80	
6.0	191	150.06	7820	2.1	FA 47 Y63M6
6.9	166	130.07	7940	2.4	FAF 47 Y63M6
7.4	155	121.57	7990	2.6	F 47 Y63M6
8.6	134	105.09	8070	3.0	FF 47 Y63M6
10	114	89.29	8130	3.5	
11	102	79.72	8160	3.9	
7.2	158	190.76	7970	2.5	FA 47 Y63S4
7.9	146	175.38	8020	2.8	FAF 47 Y63S4
9.2	125	150.06	8100	3.2	F 47 Y63S4
11	108	130.07	8150	3.7	FF 47 Y63S4
7.0	164	128.51	4740	1.20	FA 37 Y63M6
7.6	150	117.88	4880	1.35	FAF 37 Y63M6
9.0	128	100.36	5070	1.55	F 37 Y63M6
10	110	86.53	5190	1.80	FF 37 Y63M6
11	103	80.65	5240	1.95	

输出转速 Output speed n_2 [r/min]	输出转矩 Output torque T_a [N·m]	传动比 Ratio i	径向负荷 Permitted load FR2 [N]	使用系数 Service factor f_B	机型号 Model
0.12kW					
11	107	128.51	5220	1.85	
12	98	117.88	5270	2.0	
14	83	100.36	5340	2.4	
16	72	86.53	5400	2.8	
17	67	80.65	5410	3.0	
20	59	70.50	5440	3.4	
21	55	66.09	5460	3.6	FA 37 Y63S4
24	48	58.32	5470	4.1	FAF 37 Y63S4
25	45	54.54	5480	4.4	F 37 Y63S4
27	43	51.70	5490	4.7	FF 37 Y63S4
29	39	47.02	5500	5.1	
31	36	43.83	5500	5.5	
36	32	38.31	5510	6.3	
38	30	35.91	5520	6.7	
44	26	31.69	5520	7.6	
49	23	28.09	5520	8.6	
58	20	23.88	5270	10	
58	20	23.63	5250	10	
67	17	20.57	5030	12	
72	16	19.27	4930	13	
81	14	17.03	4740	14	
87	13	15.81	4630	15	
96	12	14.33	4490	17	
107	11	12.87	4330	19	FA 37 Y63S4
125	9.2	11.08	4130	21	FAF 37 Y63S4
132	8.7	10.42	4050	21	F 37 Y63S4
154	7.4	8.97	3860	24	FF 37 Y63S4
186	6.2	7.44	3630	23	
205	5.6	6.74	3510	25	
228	5.0	6.05	3390	27	
265	4.3	5.21	3230	29	
282	4.1	4.90	3170	29	
327	3.5	4.22	3020	31	
0.18kW					
0.10	13500	12912	87500	0.90	
0.11	12100	11656	90000	1.00	FA 127 R77 Y63M4
0.13	10700	10191	90000	1.10	FAF 127 R77 Y63M4
0.15	8980	8831	90000	1.35	F 127 R77 Y63M4
0.17	7770	7643	90000	1.65	FF 127 R77 Y63M4
0.20	7150	6715	90000	1.70	
0.15	8560	8548	47400	0.90	FA 107 R77 Y63M4
0.17	8050	7874	48800	0.95	FAF 107 R77 Y63M4
0.20	7030	6767	51500	1.10	F 107 R77 Y63M4
0.22	6090	5954	53800	1.25	FF 107 R77 Y63M4
0.25	5310	5223	55600	1.45	
0.29	4860	4567	56600	1.60	
0.37	3660	3521	59100	2.1	
0.43	3170	3037	60100	2.4	FA 107 R77 Y63M4
0.48	2880	2756	60600	2.7	FAF 107 R77 Y63M4
0.56	2470	2369	61400	3.1	F 107 R77 Y63M4
0.64	2160	2068	61900	3.6	FF 107 R77 Y63M4
0.30	4660	4333	27900	0.90	FA 97 R57 Y63M4
					FAF 97 R57 Y63M4
					F 97 R57 Y63M4
					FF 97 R57 Y63M4
0.34	4260	3906	30000	1.00	
0.39	3670	3352	31600	1.15	
0.45	3100	2907	33100	1.40	
0.52	2790	2553	33800	1.55	FA 97 R57 Y63M4
0.59	2450	2245	34500	1.75	FAF 97 R57 Y63M4
0.67	2130	1970	35200	2.0	F 97 R57 Y63M4
0.77	1890	1722	35600	2.3	FF 97 R57 Y63M4
0.86	1670	1527	36000	2.6	
0.99	1380	1327	36500	3.1	
1.1	1280	1171	36600	3.3	

输出转速 Output speed n_2 [r/min]	输出转矩 Output torque T_a [N·m]	传动比 Ratio i	径向负荷 Permitted load FR2 [N]	使用系数 Service factor f_B	机型号 Model
0.18kW					
0.46	3160	2881	12300	0.95	
0.51	2820	2576	23600	1.05	
0.60	2400	2199	25200	1.25	
0.68	2080	1930	26200	1.45	FA 87 R57 Y63M4
0.7					



输出转速 Output speed n ₂ [r/min]	输出转矩 Output torque T _a [N·m]	传动比 Ratio i	径向负荷 Permitted overhung load FR2 [N]	使用系数 Service factor iB	机型号 Model
0.18kW					
3.8	450	228.99	12600	1.80	FA 67 Y63L6
4.4	385	195.39	12900	2.1	FAF 67 Y63L6
5.1	340	170.85	13000	2.4	F 67 Y63L6
					FF 67 Y63L6
5.8	300	228.99	13000	2.8	FA 67 Y63M4
6.8	255	195.39	13000	3.2	FAF 67 Y63M4
7.7	225	170.85	13000	3.7	F 67 Y63M4
					FF 67 Y63M4
4.4	395	199.70	10600	1.50	
4.7	365	183.60	10800	1.65	FA 57 Y63L6
5.5	310	157.09	11100	1.95	FAF 57 Y63L6
6.4	270	136.16	11300	2.2	F 57 Y63L6
6.8	250	127.27	11400	2.4	FF 57 Y63L6
7.9	215	110.01	11500	2.8	
6.6	260	199.70	11300	2.3	FA 57 Y63M4
7.2	240	183.60	11500	2.5	FAF 57 Y63M4
8.4	205	167.09	11500	2.9	F 57 Y63M4
9.7	177	136.16	11500	3.4	FF 57 Y63M4
10	166	127.27	11500	3.6	
4.6	375	190.76	6240	1.05	FA 47 Y63L6
5.0	345	175.38	6600	1.15	FAF 47 Y63L6
5.8	295	150.06	7090	1.35	F 47 Y63L6
6.7	255	130.07	7410	1.55	FF 47 Y63L6
7.2	240	121.57	7530	1.65	
6.9	250	190.76	7470	1.60	FA 47 Y63M4
7.5	230	175.38	7610	1.75	FAF 47 Y63M4
8.8	195	150.06	7800	2.0	F 47 Y63M4
10	169	130.07	7920	2.4	FF 47 Y63M4
11	158	121.57	7970	2.5	
7.4	235	117.88	3750	0.85	FA 37 Y63L6
8.7	198	100.36	4320	1.00	FAF 37 Y63L6
10	171	86.53	4660	1.15	F 37 Y63L6
11	159	80.65	4790	1.25	FF 37 Y63L6
12	139	70.50	4970	1.45	
10	167	128.51	4700	1.20	
11	154	117.88	4850	1.30	
13	131	100.36	5050	1.55	
15	113	86.53	5180	1.75	
16	105	80.65	5230	1.90	
19	92	70.50	5300	2.2	
20	86	66.09	5330	2.3	FA 37 Y63M4
23	76	58.32	5380	2.6	FAF 37 Y63M4
24	71	54.54	5400	2.8	F 37 Y63M4
26	67	51.70	5410	3.0	FF 37 Y63M4
28	61	47.02	5440	3.3	
30	57	43.83	5450	3.5	
34	50	38.31	5470	4.0	
37	47	35.91	5480	4.3	
42	41	31.69	5490	4.8	
47	37	28.09	5500	5.5	
55	31	23.88	5260	6.4	
56	31	23.63	5240	6.5	
64	27	20.57	5030	7.5	
69	25	19.27	4930	8.0	
78	22	17.03	4740	9.0	
83	21	15.81	4640	9.7	
92	19	14.33	4500	11	
103	17	12.87	4350	12	FA 37 Y63M4
119	14	11.08	4150	13	FAF 37 Y63M4
127	14	10.42	4070	14	F 37 Y63M4
147	12	8.97	3880	15	FF 37 Y63M4
178	9.7	7.44	3650	15	
196	8.8	6.74	3540	16	
218	7.9	6.05	3420	17	
253	6.8	5.21	3260	18	
269	6.4	4.90	3190	19	
313	5.5	4.22	3040	20	

输出转速 Output speed n ₂ [r/min]	输出转矩 Output torque T _a [N·m]	传动比 Ratio i	径向负荷 Permitted overhung load FR2 [N]	使用系数 Service factor iB	机型号 Model
0.25kW					
0.15	13300	8831	88000	0.90	
0.17	11500	7643	90000	1.05	FA 127 R77 Y63L4
0.19	10400	6715	90000	1.15	FAF 127 R77 Y63L4
0.22	9190	5925	90000	1.30	F 127 R77 Y63L4
0.25	7860	5153	90000	1.55	FF 127 R77 Y63L4
0.29	6850	4533	90000	1.75	
0.22	9000	5954	46200	0.85	FA 107 R77 Y63L4
0.25	7860	5223	49300	1.00	FAF 107 R77 Y63L4
0.28	7090	4567	51400	1.10	F 107 R77 Y63L4
0.37	5370	3521	55500	1.45	FF 107 R77 Y63L4
0.43	4680	3037	57000	1.65	
0.47	4240	2756	57900	1.80	FA 107 R77 Y63L4
0.55	3650	2369	59100	2.1	FAF 107 R77 Y63L4
0.63	3180	2068	60000	2.4	F 107 R77 Y63L4
0.81	2440	1597	61400	3.2	FF 107 R77 Y63L4
0.93	2110	1401	62000	3.6	
0.45	4530	2907	29200	0.95	
0.51	4050	2553	30600	1.05	
0.58	3560	2245	31900	1.20	
0.66	3100	1970	33100	1.40	FA 97 R57 Y63L4
0.75	2740	1722	33900	1.55	FAF 97 R57 Y63L4
0.85	2430	1527	34600	1.75	F 97 R57 Y63L4
0.98	2040	1327	35300	2.1	FF 97 R57 Y63L4
1.1	1860	1171	35600	2.3	
1.3	1630	1022	36100	2.6	
0.67	3040	1930	18200	1.00	
0.76	2710	1709	24000	1.10	
0.87	2380	1493	25200	1.25	
1.0	1990	1300	26500	1.50	FA 87 R57 Y63L4
1.1	1780	1148	27100	1.70	FAF 87 R57 Y63L4
1.3	1550	1010	27700	1.95	F 87 R57 Y63L4
1.5	1370	887	28100	2.2	FF 87 R57 Y63L4
1.7	1200	780	28500	2.5	
1.9	1020	674	28900	2.9	
1.2	1690	1053	14300	0.90	
1.4	1450	910	16000	1.05	
1.6	1260	810	17100	1.20	FA 77 R37 Y63L4
1.8	1110	710	17900	1.35	FAF 77 R37 Y63L4
2.1	970	615	18400	1.55	F 77 R37 Y63L4
2.4	850	538	18800	1.75	FF 77 R37 Y63L4
2.7	760	480	19100	2.0	
3.2	645	413	19400	2.3	
2.0	1000	641	2370	0.80	FA 67 R37 Y63L4
2.3	910	572	9440	0.90	FAF 67 R37 Y63L4
2.6	795	509	10500	1.05	F 67 R37 Y63L4
3.0	685	437	11400	1.20	FF 67 R37 Y63L4
2.6	810	500	10400	1.00	
2.9	740	454	11000	1.10	
3.3	635	392	11700	1.30	FA 67 R37 Y63L4
3.9	535	333	12200	1.55	FAF 67 R37 Y63L4
4.4	475	297	12500	1.70	F 67 R37 Y63L4
5.0	420	261	12700	1.95	FF 67 R37 Y63L4
5.5	375	238	12900	2.2	
3.4	805	386	9170	1.00	FA 57 R37 Y63L4
3.8	525	338	9740	1.15	FAF 57 R37 Y63L4
5.1	400	255	10600	1.50	F 57 R37 Y63L4
					FF 57 R37 Y63L4
3.4	625	382	8710	0.95	
3.9	535	330	9680	1.10	FA 57 R37 Y63L4
4.4	485	298	10000	1.25	FAF 57 R37 Y63L4
5.0	425	262	10400	1.40	F 57 R37 Y63L4
5.8	360	226	10800	1.65	FF 57 R37 Y63L4
6.5	320	200	11000	1.90	
7.7	270	170	11300	2.2	

输出转速 Output speed n ₂ [r/min]	输出转矩 Output torque T _a [N·m]	传动比 Ratio i	径向负荷 Permitted overhung load FR2 [N]	使用系数 Service factor iB	机型号 Model
0.25kW					
5.2	395	249	6020	1.00	FA 47 R17 Y63L4
6.0	350	218	6580	1.15	FAF 47 R17 Y63L4
6.7	305	193	7000	1.30	F 47 R17 Y63L4
7.4	280	175	7250	1.45	FF 47 R17 Y63L4
5.1	405	253	5850	1.00	
6.0	355	217	6490	1.10	FA 47 R17 Y63L4
6.8	310	190	6970	1.30	FAF 47 R17 Y63L4
7.3	290	178	7150	1.40	F 47 R17 Y63L4
8.7	240	149	7520	1.65	FF 47 R17 Y63L4
9.9	210	131	7710	1.90	
8.9	240	145	3640	0.85	FA 37 R17 Y63L4
10	210	129	4130	0.95	FAF 37 R17 Y63L4
11	193	118	4390	1.05	F 37 R17 Y63L4
13	160	98	4780	1.25	FF 37 R17 Y63L4
15	140	87	4970	1.45	
3.1	765	281.71	19100	1.95	FA 77 Y71M6
3.3	715	262.93	19200	2.1	FAF 77 Y71M6
3.9	615	226.79	19500	2.5	F 77 Y71M6
4.4	540	198.31	19600	2.8	FF 77 Y71M6
4.7	510	188.40	19700	2.9	
3.8	620	228.99	11800	1.30	FA 67 Y71M6
4.5	530	195.39	12300	1.55	FAF 67 Y71M6
5.2	465	170.85	12600	1.75	F 67 Y71M6
5.4	440	162.31	12700	1.85	FF 67 Y71M6
6.2	385	142.40	12900	2.1	
5.7	420	228.99	12700	1.95	FA 67 Y63L4
6.7	360	195.39	13000	2.3	FAF 67 Y63L4
7.6	315	170.85	13000	2.6	F 67 Y63L4
8.0	300	162.31	13000	2.8	FF 67 Y63L4
9.1	260	142.40	13000	3.1	
4.4	540	199.70	9630	1.10	
4.8	500	183.60	9940	1.20	FA 57 Y71M6
5.6	425	157.09	10400	1.40	FAF 57 Y71M6
6.5	370	136.16	10800	1.60	F 57 Y71M6
6.9	345	127.27	10900	1.75	FF 57 Y71M6
8.0	300	110.01	11100	2.0	
6.5	365	199.70	10800	1.65	FA 57 Y63L4
7.1	335	183.60	10900	1.80	FAF 57 Y63L4
8.3	290	157.09	11200	2.1	F 57 Y63L4
9.6	250	136.16	11400	2.4	FF 57 Y63L4
10	235	127.27	11500	2.6	
12	200	110.01	11500	3.0	
5.9	405	150.06	5750	1.00	FA 47 Y71M6
6.8	355	130.07	6530	1.15	FAF 47 Y71M6
7.2	330	121.57	6770	1.20	F 47 Y71M6
8.4	285	105.09	7190	1.40	FF 47 Y71M6
6.8	350	190.76	6550	1.15	
7.4	320	175.38	6850	1.25	FA 47 Y63L4
8.7	275	150.06	7270	1.45	FAF 47 Y63L4
10	240	130.07	7540	1.65	F 47 Y63L4
11	225	121.57	7640	1.80	FF 47 Y63L4
12	193	105.09	7810	2.1	
15	164	89.29	7950	2.4	

输出转速 Output speed n ₂ [r/min]	输出转矩 Output torque T _a [N·m]	传动比 Ratio i	径向负荷 Permitted overhung load FR2 [N]	使用系数 Service factor iB	机型号 Model
0.25kW					
10	235	128.51	3690	0.85	
11	215	117.88	4040	0.90	
13	184	100.36	4500	1.10	
15	159	86.53	4790	1.25	
16	148	80.65	4900	1.35	
18	130	70.50	5060	1.55	
20	121	66.09	5120	1.65	FA 37



Table with 6 columns: Output speed, Output torque, Ratio, Permitted overhung load, Service factor, Model. Contains data for 0.37kW, 0.55kW, and 0.75kW power ratings.

Table with 6 columns: Output speed, Output torque, Ratio, Permitted overhung load, Service factor, Model. Contains data for 0.37kW, 0.55kW, and 0.75kW power ratings.

Table with 6 columns: Output speed, Output torque, Ratio, Permitted overhung load, Service factor, Model. Contains data for 0.55kW, 0.75kW, and 1.1kW power ratings.

Table with 6 columns: Output speed, Output torque, Ratio, Permitted overhung load, Service factor, Model. Contains data for 0.55kW, 0.75kW, and 1.1kW power ratings.



输出转速 Output speed n ₂ [r/min]	输出转矩 Output torque T _a [N·m]	传动比 Ratio i	径向 负荷 Permitted overhung load FR2 [N]	使用 系数 Service factor f _B	机型号 Model
0.75kW					
0.76	8360	1826	48000	0.90	
0.86	7400	1597	50500	1.05	
0.98	6470	1401	52900	1.20	FA
1.1	5690	1243	54800	1.35	FAF
1.3	5040	1087	56200	1.50	F
1.5	4350	950	57700	1.75	FF
1.7	3800	834	58800	2.0	
2.2	2940	640	60500	2.6	
3.2	2000	436	62200	3.8	
1.4	4810	1022	22800	0.90	
1.5	4150	898	30300	1.05	
1.8	3660	784	31700	1.20	FA
2.0	3190	690	32900	1.35	FAF
2.3	2800	605	33800	1.55	F
2.6	2440	529	34500	1.75	FF
3.0	2160	467	35100	2.0	
3.4	1860	406	35600	2.3	
3.8	1670	363	36000	2.6	
2.0	3120	674	14700	0.95	FA
2.3	2830	609	23600	1.05	FAF
2.7	2390	515	25200	1.25	F
3.0	2100	452	26100	1.45	FF
4.0	1590	345	27600	1.90	
3.8	1720	367	14100	0.85	FA
4.3	1520	323	15600	1.00	FAF
4.9	1310	280	16900	1.15	F
2.7	2640	254.40	61100	2.9	FA FAF F FF
2.5	2870	276.77	33600	1.50	FA
2.7	2630	253.41	34100	1.65	FAF
3.1	2320	223.88	34800	1.85	F FF
3.2	2200	276.77	35000	1.95	FA
3.5	2020	253.41	35400	2.1	FAF
4.0	1780	223.88	35800	2.4	F FF
3.3	2150	270.68	26000	1.40	
3.5	2030	255.37	26300	1.50	FA
3.9	1820	228.93	27000	1.65	FAF
4.6	1570	197.20	27600	1.90	F
5.0	1430	179.97	28000	2.1	FF
5.6	1270	156.61	28400	2.4	
5.1	1400	270.68	28100	2.1	FA
5.4	1330	255.37	28200	2.3	FAF
6.0	1190	228.93	28600	2.5	F FF
4.5	1580	198.31	15200	0.95	FA
4.8	1500	188.40	15700	1.00	FAF
5.4	1320	166.47	16800	1.15	F
6.3	1130	142.27	17800	1.30	FF
6.9	1040	130.42	18200	1.45	
6.1	1170	225.79	17600	1.30	FA
7.0	1030	198.31	18200	1.45	FAF
7.3	980	188.40	18400	1.55	F FF
8.3	860	166.47	18800	1.75	FA
9.7	740	142.27	19200	2.0	FAF
11	675	130.42	19300	2.2	F
12	595	114.45	19500	2.5	FF
13	565	108.46	19600	2.7	

输出转速 Output speed n ₂ [r/min]	输出转矩 Output torque T _a [N·m]	传动比 Ratio i	径向 负荷 Permitted overhung load FR2 [N]	使用 系数 Service factor f _B	机型号 Model
0.75kW					
8.1	890	170.85	9670	0.90	FA
8.5	840	162.31	10100	0.95	FAF
9.7	740	142.40	11000	1.10	F
11	625	120.79	11700	1.30	FF
13	565	109.04	12100	1.45	
14	500	95.94	12400	1.65	FA
15	470	90.59	12500	1.75	FAF
17	415	79.76	12800	2.0	F
20	350	67.65	13000	2.3	FF
23	315	61.07	13000	2.6	
11	660	127.27	5290	0.90	
13	570	110.01	9420	1.05	
15	485	93.47	10000	1.25	FA
17	435	83.46	10400	1.40	FAF
19	380	72.98	10700	1.60	F
20	355	68.22	10800	1.70	FF
23	305	58.97	11100	1.95	
28	260	50.10	11300	2.3	
31	230	44.73	11400	2.6	
17	415	79.72	5060	0.95	FA
20	355	68.09	6520	1.15	FAF
21	340	65.36	6680	1.20	F FF
24	295	56.49	7120	1.35	
29	250	48.00	7470	1.60	FA
32	220	42.86	7640	1.80	FAF
38	190	36.61	7820	2.1	F
40	178	34.29	7850	2.2	FF
48	150	28.88	7540	2.7	
29	245	47.02	3530	0.80	
31	230	43.83	3850	0.90	
36	199	38.31	4310	1.00	FA
38	186	35.91	4480	1.05	FAF
44	165	31.69	4620	1.20	F
49	146	28.09	4540	1.35	FF
58	124	23.88	4410	1.60	
58	123	23.63	4400	1.65	
67	107	20.57	4290	1.85	
72	100	19.27	4240	2.0	
81	88	17.03	4130	2.3	
96	74	14.33	3970	2.7	
107	67	12.87	3870	3.0	FA
125	58	11.08	3730	3.3	FAF
132	54	10.42	3680	3.4	F
154	47	8.97	3540	3.8	FF
205	35	6.74	3250	4.0	
228	31	6.05	3150	4.3	
265	27	5.21	3030	4.6	
282	25	4.90	2970	4.7	
327	22	4.22	2850	5.0	
366	20	3.77	2760	5.4	
1.1kW					
0.50	18200	2780	99800	1.00	FA FAF F FF
0.58	16000	2427	105800	1.15	
0.64	14300	2185	109700	1.25	
0.72	12700	1944	112900	1.40	
0.84	11200	1874	115500	1.60	FA
1.1	8840	1308	119000	2.1	FAF
1.2	7680	1169	120000	2.3	F
1.5	6190	953	120000	2.9	FF
1.7	5450	845	120000	3.3	
3.1	2880	446	120000	6.2	
4.6	1950	302	120000	9.2	

输出转速 Output speed n ₂ [r/min]	输出转矩 Output torque T _a [N·m]	传动比 Ratio i	径向 负荷 Permitted overhung load FR2 [N]	使用 系数 Service factor f _B	机型号 Model
1.1kW					
0.69	13800	2038	87000	0.85	
0.79	12000	1784	90000	1.00	FA
0.87	10800	1606	90000	1.10	FAF
1.0	9350	1390	90000	1.30	F
1.1	8170	1220	90000	1.45	FF
1.3	7260	1077	90000	1.65	
1.1	8360	1243	48000	0.90	
1.3	7370	1087	50600	1.05	FA
1.5	6390	950	53100	1.20	FAF
1.7	5590	834	55000	1.35	F
1.9	4910	736	56500	1.55	FF
2.2	4310	640	57800	1.80	
2.0	4670	690	27800	0.90	
2.3	4100	605	30500	1.05	FA
2.7	3580	529	31900	1.20	FAF
3.0	3160	467	32900	1.35	F
3.5	2730	406	33900	1.55	FF
3.8	2450	363	34500	1.75	
3.1	3070	452	16900	1.00	FA
4.1	2330	345	25400	1.30	FAF
4.7	2020	300	26400	1.50	F
5.6	1670	249	27400	1.80	FF
2.7	3930	254.40	58600	1.95	FA
3.2	3330	215.37	59800	2.3	FAF
3.4	3080	199.31	60200	2.5	F
3.8	2760	178.64	60800	2.8	FF
3.3	3160	276.77	32900	1.35	FA
3.6	2890	253.41	33600	1.50	FAF
4.1	2560	223.88	34300	1.70	F
4.8	2170	189.92	35100	2.0	FF
5.3	2000	174.87	35400	2.2	
5.1	2080	276.77	35200	2.1	FA
5.5	1900	253.41	35600	2.3	FAF
6.2	1680	223.88	36000	2.6	F FF
3.4	3090	270.68	16000	0.95	
3.6	2920	255.37	22700	1.05	FA
4.0	2610	228.93	24400	1.15	FAF
4.7	2250	197.20	25700	1.35	F
5.1	2050	179.97	26300	1.45	FF
5.8	1820	159.61	27000	1.65	
5.2	2030	270.68	26300	1.50	FA
5.5	1920	255.37	26700	1.55	FAF
6.1	1720	228.93	27200	1.75	F
7.1	1480	197.20	27900	2.0	FF
7.8	1350	179.97	28200	2.2	FA
8.8	1200	159.61	28500	2.5	FAF
10	1010	134.16	29000	3.0	F
11	930	123.29	29100	3.2	FF
7.1	1490	198.31	15800	1.00	FA
7.4	1410	188.40	16300	1.05	FAF
8.4	1250	166.47	17200	1.20	F
9.8	1070	142.27	18000	1.40	FF
11	980	130.42	18400	1.55	
12	860	114.45	18800	1.75	FA
13	810	108.46	18900	1.85	FAF
15	710	94.93	19200	2.1	F
16	640	85.52	19400	2.3	FF
19	565	75.02	19600	2.7	

输出转速 Output speed n ₂ [r/min]	输出转矩 Output torque T _a [N·m]	传动比 Ratio i	径向 负荷 Permitted overhung load FR2 [N]	使用 系数 Service factor f _B	机型号 Model
1.1kW					
12	910	120.79	9460	0.90	
13	820	109.04	10300	1.00	
15	720	95.94	11100	1.15	
15	680	90.59	11400	1.20	
18	600	79.76	11900	1.35	FA
21	510	67.65	12400	1.60	FAF
23	460	61.07	12600	1.80	F
26	405	53.73	12800	2.0	FF
28	380	50.74	12900	2.2	
32	325	43.20	13000	2.5	
36	295	39.26	13000	2.7	
41	255	34.01	13000	2.9	
17	625	83.46	8470	0.95	
19	550	72.98	9590	1.10	
21	510	68.22	9840	1.15	
24	440	58.97	10300	1.35	FA
28	375	50.10	10700	1.60	FAF
31	335	44.73	10700	1.80	F
37	285	38.21	10400	2.1	FF
39	270	35.79	10200	2.2	
46	225	30.15	9810	2.6	
25	425	56.49	3730	0.95	FA
29	360	48.00	6440	1.10	FAF F FF
33	320	42.86	6860	1.25	FA
38	275	36.61	7280	1.45	FAF
41	255	34.29	7260	1.55	F
48	215	28.88	7040	1.85	FF
45	230	30.86	7130	1.75	
48	220	29.32	7080	1.80	FA
54	193	25.72	6880	2.1	FAF
64	164	21.82	6640	2.4	F
71	148	19.70	6490	2.7	FF
44	240	31.69			



Table with 6 columns: Output speed, Output torque, Ratio, Permitted overload, Service factor, Model. Contains data for 1.5kW and 2.2kW models.

Table with 6 columns: Output speed, Output torque, Ratio, Permitted overload, Service factor, Model. Contains data for 1.5kW and 2.2kW models.

Table with 6 columns: Output speed, Output torque, Ratio, Permitted overload, Service factor, Model. Contains data for 2.2kW and 3.0kW models.

Table with 6 columns: Output speed, Output torque, Ratio, Permitted overload, Service factor, Model. Contains data for 2.2kW and 3.0kW models.

输出转速 Output speed n ₂ [r/min]	输出转矩 Output torque T _a [N·m]	传动比 Ratio i	径向负荷 Permitted overhung load FR2 [N]	使用系数 Service factor fB	机型号 Model	
3.0kW						
3.7	7750	245.40	49600	1.00	FA	107 Y132S6
4.4	6560	215.37	52700	1.15	FAF	107 Y132S6
4.7	6070	199.31	53900	1.25	F	107 Y132S6
5.3	5440	178.64	55300	1.40	FF	107 Y132S6
5.5	5210	254.40	55900	1.50	FA	107 Y100L4
6.5	4410	215.37	57600	1.75	FAF	107 Y100L4
7.0	4080	199.31	58300	1.90	F	107 Y100L4
7.8	3660	178.64	59100	2.1	F	107 Y100L4
8.7	3300	161.28	59800	2.3	FF	107 Y100L4
6.2	4580	223.88	29000	0.95	FA	97 Y100L4
7.4	3890	189.92	31100	1.10	FAF	97 Y100L4
8.0	3580	174.87	31900	1.20	F	97 Y100L4
9.0	3200	156.30	32800	1.35	FF	97 Y100L4
9.9	2880	140.71	33600	1.50	FA	97 Y100L4
11	2610	127.42	34200	1.65	FAF	97 Y100L4
12	2310	112.99	34800	1.85	F	97 Y100L4
14	2090	102.16	35200	2.1	FF	97 Y100L4
16	1840	89.85	35700	2.3	FA	87 Y100L4
10	2750	134.16	23900	1.10	FAF	87 Y100L4
11	2520	123.29	24700	1.20	F	87 Y100L4
13	2240	109.49	25700	1.35	FF	87 Y100L4
14	2000	97.89	26400	1.50	FA	87 Y100L4
16	1800	88.01	26900	1.65	FAF	87 Y100L4
18	1560	76.39	26300	1.90	F	87 Y100L4
20	1400	68.40	25700	2.1	FF	87 Y100L4
25	1160	56.75	24800	2.6	FA	87 Y100L4
28	1030	50.36	24100	2.8	FAF	87 Y100L4
16	1750	85.52	13800	0.85	FA	77 Y100L4
19	1540	75.02	15500	1.00	FAF	77 Y100L4
21	1360	66.46	16800	1.10	F	77 Y100L4
24	1190	58.32	17500	1.25	FF	77 Y100L4
25	1130	55.27	17800	1.35	FA	77 Y100L4
29	990	48.37	18300	1.50	FAF	77 Y100L4
32	890	43.58	18700	1.70	F	77 Y100L4
37	780	38.23	19000	1.90	FF	77 Y100L4
38	750	36.58	19100	1.50	FA	77 Y100L4
44	645	31.51	19400	2.1	FAF	77 Y100L4
49	590	28.75	19500	2.4	F	77 Y100L4
55	520	25.50	19700	2.9	FF	77 Y100L4
65	440	21.43	19800	3.4	FA	77 Y100L4
32	880	43.20	9690	0.95	FA	67 Y100L4
36	800	39.26	10500	0.95	FAF	67 Y100L4
41	695	34.01	11300	1.05	F	67 Y100L4
44	655	32.08	11800	1.25	FF	67 Y100L4
51	560	27.41	12100	1.45	FA	67 Y100L4
56	515	25.13	12300	1.60	FAF	67 Y100L4
63	450	22.05	12600	1.80	F	67 Y100L4
67	430	20.90	12700	1.90	FF	67 Y100L4
77	375	18.29	12900	2.2	FA	67 Y100L4
85	335	16.48	13000	2.4	FAF	67 Y100L4
97	295	14.46	13000	2.8	F	67 Y100L4
56	510	24.96	7440	1.15	FA	57 Y100L4
66	435	21.17	7340	1.40	FAF	57 Y100L4
73	390	19.11	7260	1.55	F	57 Y100L4
83	345	16.81	7140	1.75	FF	57 Y100L4
88	325	15.88	7080	1.85	FA	57 Y100L4
104	275	13.52	6890	2.2	FAF	57 Y100L4
114	250	12.29	6780	2.4	F	57 Y100L4
132	220	10.64	6590	2.8	FF	57 Y100L4

输出转速 Output speed n ₂ [r/min]	输出转矩 Output torque T _a [N·m]	传动比 Ratio i	径向负荷 Permitted overhung load FR2 [N]	使用系数 Service factor fB	机型号 Model	
3.0kW						
71	405	19.70	4750	1.00		
81	355	17.33	4760	1.15	FA	47 Y100L4
86	335	16.36	4760	1.20	FAF	47 Y100L4
100	285	13.93	4740	1.40	F	47 Y100L4
111	260	12.66	4700	1.55	FF	47 Y100L4
128	225	10.97	4640	1.80		
156	183	8.96	4370	1.80		
126	225	11.08	2320	0.85		
134	215	10.42	2350	0.85		
156	184	8.97	2390	0.95		
175	164	8.01	2410	1.05	FA	37 Y100L4
208	138	6.74	2290	1.00	FAF	37 Y100L4
231	124	6.05	2300	1.10	F	37 Y100L4
269	107	5.21	2290	1.15	FF	37 Y100L4
286	100	4.90	2280	1.20		
332	86	4.22	2250	1.25		
372	77	3.77	2220	1.36		
4.0kW						
1.7	20600	845	91500	0.85		
1.9	18600	764	98300	0.95		
2.1	16600	680	104200	1.10	FA	157 R97 Y112M4
2.5	14000	576	110300	1.30	FAF	157 R97 Y112M4
3.2	10900	446	115900	1.65	F	157 R97 Y112M4
4.7	7390	302	120000	2.4	FF	157 R97 Y112M4
5.2	6670	273	120000	2.7		
6.1	5640	232	120000	3.2		
7.2	4780	197	120000	3.8		
2.6	13600	549	87400	0.90	FA	127 R77 Y112M4
2.9	12200	495	90000	1.00	FAF	127 R77 Y112M4
3.3	10600	428	90000	1.15	F	127 R77 Y112M4
3.8	9270	376	90000	1.30	FF	127 R77 Y112M4
4.3	8230	333	48300	0.95	FA	107 R77 Y112M4
4.9	7190	291	51100	1.05	FAF	107 R77 Y112M4
5.6	6310	255	53300	1.20	F	107 R77 Y112M4
4.2	9060	170.83	90000	1.30	FA	127 Y160S8
4.7	8150	153.67	90000	1.45	FAF	127 Y160S8
5.7	6650	125.37	90000	1.80	F	127 Y160S8
5.6	6840	254.40	52000	1.10		
6.6	5790	215.37	54500	1.35		
7.1	5360	199.31	55500	1.45	FA	107 Y112M4
7.9	4810	178.64	56700	1.60	FAF	107 Y112M4
8.8	4340	161.28	57700	1.75	F	107 Y112M4
9.7	3940	146.49	58500	1.95	FF	107 Y112M4
11	3500	129.97	59400	2.2		
12	3170	117.94	60100	2.4		
14	2730	101.38	60900	2.8		
8.1	4700	174.87	26600	0.90	FA	97 Y112M4
9.1	4200	156.30	30200	1.00	FAF	97 Y112M4
10	3780	140.71	31400	1.15	F	97 Y112M4
11	3430	127.42	32300	1.25	FF	97 Y112M4
13	3040	112.99	33200	1.40		
14	2750	102.16	33900	1.55	FA	97 Y112M4
15	2620	97.58	34100	1.65	FAF	97 Y112M4
16	2420	89.85	34600	1.80	F	97 Y112M4
18	2160	80.31	35100	2.0	FF	97 Y112M4
20	1940	72.29	35500	2.2		
22	1760	65.47	35800	2.4		
13	2950	109.49	21700	1.00	FA	87 Y112M4
15	2630	97.89	24300	1.15	FAF	87 Y112M4
16	2370	88.01	24600	1.25	F	87 Y112M4
19	2050	76.39	24200	1.45	FA	87 Y112M4
21	1840	68.40	23900	1.65	FAF	87 Y112M4
25	1530	56.75	23200	1.95	F	87 Y112M4
28	1350	50.36	22800	2.2	FF	87 Y112M4
31	1220	45.28	22300	2.3		

输出转速 Output speed n ₂ [r/min]	输出转矩 Output torque T _a [N·m]	传动比 Ratio i	径向负荷 Permitted overhung load FR2 [N]	使用系数 Service factor fB	机型号 Model	
4.0kW						
21	1790	66.46	13400	0.85	FA	77 Y112M4
24	1570	58.32	15200	0.95	FAF	77 Y112M4
28	1490	55.27	15800	1.00	F	77 Y112M4
29	1300	48.37	16900	1.15	FF	77 Y112M4
33	1170	43.58	17600	1.30	FA	77 Y112M4
37	1030	38.23	18200	1.45	FAF	77 Y112M4
42	910	33.74	18600	1.65	F	77 Y112M4
47	800	29.91	19000	1.85	FF	77 Y112M4
56	685	25.54	19300	2.1		
45	850	31.51	18800	1.65	FA	77 Y112M4
49	775	28.75	19100	1.85	FAF	77 Y112M4
56	685	25.50	19300	2.2	F	77 Y112M4
66	575	21.43	19500	2.6	FF	77 Y112M4
72	530	19.70	19600	2.8		
52	735	27.41	11000	1.10		
57	675	25.13	11400	1.20		
64	595	22.05	11900	1.40		
68	560	20.90	12100	1.45		
78	490	18.29	12400	1.65		
86	445	16.48	12700	1.85		
98	390	14.46	12900	2.1		
111	345	12.76	13000	2.4	FA	67 Y112M4
126	305	11.31	13000	2.7	FAF	67 Y112M4
147	260	9.66	13000	3.2	F	67 Y112M4
156	245	9.08	13000	3.8	FF	67 Y112M4
165	230	8.60	12800	2.5		
189	205	7.53	12400	3.0		
209	183	6.78	12100	3.4		
239	160	5.95	11700	3.8		
270	141	5.25	11400	4.2		
305	125	4.66	11000	4.5		
357	107	3.97	10600	4.7		
67	570	21.17	6490	1.05		
74	515	19.11	6490	1.15		
84	450	16.81	6450	1.35		
89	425	15.88	6430	1.40		
105	365	13.52	6340	1.65	FA	57 Y112M4
116	330	12.29	6270	1.80	FAF	57 Y112M4
133	285	10.64	6150	2.1	F	57 Y112M4
153	250	9.31	5850	1.70	FF	57 Y112M4
173	220	8.19	5730	1.90		
184	210	7.73	5680	2.0		
216	177	6.58	5510	2.4		
237	161	5.98	5410	2.6		
274	139	5.18	5250	3.0		
5.5kW						
2.5	19300	576	96300	0.95		
2.8	16800	503	103600	1.05		
3.2	15000	446	108200	1.20		
4.1	11800	353	114500	1.55	FA	157 R97 Y132S4
4.7	10100	302	117100	1.80	FAF	157 R97 Y132S4
5.2	9160	273	118400	1.95	F	157 R97 Y132S4
6.2	7750	232	120000	2.3	FF	157 R97 Y132S



输出转速 Output speed n_2 [r/min]	输出转矩 Output torque T_a [N·m]	传动比 Ratio i	径向负荷 Permitted overhung load FR2 [N]	使用系数 Service factor fB	机型号 Model
5.5kW					
65	810	22.05	10400	1.00	
68	770	20.90	10800	1.05	
78	670	18.29	11500	1.20	
87	605	16.48	11900	1.35	
99	530	14.46	12300	1.55	
112	470	12.76	12500	1.75	
126	415	11.31	12800	1.95	FA 67
148	355	9.66	12900	2.3	FAF 67
158	335	9.08	12400	1.60	F 67
166	315	8.60	12300	1.80	FF 67
190	275	7.53	12000	2.2	
211	250	6.78	11700	2.5	
240	220	5.95	11400	2.8	
272	193	5.25	11100	3.1	
307	171	4.66	10700	3.3	
360	146	3.97	10300	3.4	
7.5kW					
85	620	16.81	5450	0.95	
90	585	15.88	5480	1.05	
106	495	13.52	5530	1.20	
116	450	12.29	5530	1.35	FA 57
134	390	10.64	5510	1.55	FAF 57
175	300	8.19	5190	1.40	F 57
185	285	7.73	5160	1.50	FF 57
217	240	6.58	5070	1.75	
239	220	5.98	5010	1.90	
276	190	5.18	4900	2.2	
7.5kW					
4.6	14300	312	85900	0.85	FA 127 R87 Y132M4
4.9	13500	293	87600	0.90	FAF 127 R87 Y132M4
5.5	11900	259	90000	1.00	F 127 R87 Y132M4
6.4	10300	223	90000	1.15	FF 127 R87 Y132M4
7.2	9080	198	90000	1.30	
7.5kW					
3.3	21600	217.62	87600	0.85	
4.0	17700	178.20	101100	1.00	
4.4	16200	162.96	105200	1.10	
5.1	14100	141.80	110100	1.30	
5.8	12400	125.14	113300	1.45	
6.6	10800	108.49	116100	1.65	FA 157
7.5	9600	96.53	117800	1.85	FAF 157
8.4	8530	85.80	119200	2.1	F 157
9.2	7810	78.46	120000	2.3	FF 157
11	6790	68.28	120000	2.7	
12	5990	60.25	120000	3.0	
14	5200	52.24	120000	3.5	
15	4620	46.48	120000	3.9	
18	3980	40.06	120000	4.5	
7.5kW					
3.6	20000	267.43	94000	0.90	
4.4	16200	217.62	105100	1.10	
5.4	13300	178.20	111700	1.35	
5.9	12200	162.96	113800	1.50	
6.8	10600	141.80	116400	1.70	FA 157
7.7	9340	125.14	118200	1.95	FAF 157
8.9	8090	108.49	119700	2.2	F 157
9.9	7200	96.53	120000	2.5	FF 157
11	6400	85.80	120000	2.8	
12	5850	78.46	120000	3.1	
14	5090	68.28	120000	3.5	
16	4500	60.25	120000	4.0	
18	3900	52.24	193000	4.6	
7.5kW					
5.7	12500	125.37	89500	0.95	FA 127
6.3	11400	114.34	90000	1.05	FAF 127
7.3	9840	98.95	90000	1.20	F 127
8.2	8690	87.31	90000	1.40	FF 127
7.5kW					
5.6	12700	170.83	89000	0.95	FA 127
6.2	11500	153.67	90000	1.05	FAF 127
7.7	9350	125.37	90000	1.30	F 127
8.4	8530	114.34	90000	1.40	FF 127

输出转速 Output speed n_2 [r/min]	输出转矩 Output torque T_a [N·m]	传动比 Ratio i	径向负荷 Permitted overhung load FR2 [N]	使用系数 Service factor fB	机型号 Model
7.5kW					
8.4	8560	170.83	90000	1.40	FA 127
9.3	7700	153.67	90000	1.55	FAF 127
11	6280	125.37	90000	1.90	F 127
					FF 127
7.5kW					
8.0	8950	178.64	46300	0.85	FA 107
8.9	8080	161.28	48700	0.95	FAF 107
9.8	7340	148.49	50700	1.05	F 107
11	6510	129.97	52800	1.20	FF 107
7.5kW					
12	5910	117.94	54200	1.30	
14	5080	101.38	56100	1.50	
15	4630	92.47	57100	1.65	FA 107
16	4430	88.49	57500	1.75	FAF 107
17	4210	83.99	58000	1.85	F 107
19	3730	74.52	59000	2.1	FF 107
21	3390	67.62	59600	2.3	
7.5kW					
15	4890	97.58	19300	0.90	
16	4500	89.85	29300	0.95	FA 97
17	4340	86.59	29800	1.00	FAF 97
18	4020	80.31	30700	1.05	F 97
19	3790	75.63	31300	1.15	FF 97
20	3620	72.29	31800	1.20	
7.5kW					
22	3280	65.47	32200	1.30	
25	2910	58.06	31800	1.50	FA 97
27	2630	52.49	31400	1.65	FAF 97
32	2230	44.49	30600	1.95	F 97
37	1950	38.86	29900	2.2	FF 97
44	1630	32.50	28900	2.6	
7.5kW					
33	2170	43.28	30500	1.40	FA 97
39	1840	36.64	29600	1.65	FAF 97
42	1700	33.91	29200	2.5	F 97
47	1520	30.39	28500	2.8	FF 97
7.5kW					
25	2840	58.75	18100	1.05	
28	2520	50.36	18200	1.15	FA 87
32	2270	45.28	18200	1.25	FAF 87
36	1970	39.30	18100	1.40	F 87
41	1760	35.19	18000	1.50	FF 87
49	1460	29.20	17600	1.70	
7.5kW					
50	1440	28.78	17600	1.70	
54	1330	26.50	17400	2.3	FA 87
60	1190	23.68	17100	2.5	FAF 87
67	1070	21.32	16800	2.8	F 87
74	970	19.31	16500	3.1	FF 87
84	860	17.12	16200	3.5	
92	775	15.48	15900	3.9	
7.5kW					
42	1690	33.74	14300	0.90	FA 77
48	1500	29.91	15700	1.00	FAF 77
56	1280	25.54	17000	1.15	F 77
					FF 77
7.5kW					
56	1280	25.50	17100	1.15	
67	1070	21.43	18000	1.40	
73	990	19.70	18400	1.50	
82	880	17.49	18800	1.70	
91	785	15.64	19000	1.90	
102	705	14.06	18600	2.1	FA 77
117	610	12.20	18000	2.5	FAF 77
131	545	10.93	17600	2.7	F 77
154	465	9.30	16500	2.3	FF 77
173	415	8.28	16100	2.6	
194	370	7.39	15700	2.9	
215	335	6.64	15300	3.2	
248	290	5.76	14800	3.7	
277	260	5.16	14500	4.2	
334	215	4.28	13800	4.7	

输出转速 Output speed n_2 [r/min]	输出转矩 Output torque T_a [N·m]	传动比 Ratio i	径向负荷 Permitted overhung load FR2 [N]	使用系数 Service factor fB	机型号 Model
9.2kW					
4.1	19700	353	94800	0.90	
4.8	16900	302	103300	1.05	FA 157 R97 Y132ML4
5.3	15300	273	107400	1.20	FAF 157 R97 Y132ML4
6.2	13000	232	112400	1.40	F 157 R97 Y132ML4
7.1	11300	202	115300	1.60	FF 157 R97 Y132ML4
7.3	11000	197	115800	1.65	
9.2kW					
5.6	14500	259	85600	0.85	FA 127 R87 Y132ML4
6.4	12500	223	89400	0.95	FAF 127 R87 Y132ML4
7.3	11100	198	90000	1.10	F 127 R87 Y132ML4
					FF 127 R87 Y132ML4
9.2kW					
8.4	10400	170.83	90000	1.15	FA 127
9.4	9380	153.67	90000	1.30	FAF 127
11	7650	125.37	90000	1.55	F 127
13	6980	114.34	90000	1.70	FF 127
15	6040	98.95	90000	2.0	
9.2kW					
9.8	8940	146.49	46300	0.85	FA 107
11	7930	129.97	49100	0.95	FAF 107
12	7200	117.94	51100	1.05	F 107
14	6180	101.38	53600	1.25	FF 107
9.2kW					
16	5640	92.47	54900	1.35	
17	5120	83.99	56000	1.50	FA 107
19	4550	74.52	57300	1.70	FAF 107
21	4130	67.62	58200	1.85	F 107
25	3550	58.12	58300	2.2	FF 107
28	3100	50.73	56800	2.5	
9.2kW					
18	4900	80.31	18700	0.90	FA 97
19	4610	75.63	28900	0.95	FAF 97
20	4410	72.29	29600	0.95	F 97
22	3990	65.47	29600	1.10	FF 97
25	3540	58.06	29500	1.20	
9.2kW					
27	3200	52.49	29300	1.35	FA 97
32	2710	44.49	28800	1.60	FAF 97
37	2370	38.86	28400	1.80	F 97
44	1980	32.50	27600	2.2	FF 97
9.2kW					
42	2070	33.91	27800	2.1	FA 97
47	1850	30.39	27300	2.3	FAF 97
52	1670	27.44	26800	2.6	F 97
58	1520	24.92	26300	2.8	FF 97
9.2kW					
29	3070	50.36	16000	0.95	FA 87
32	2760	45.28	16200	1.00	FAF 87
37	2400	39.30	16400	1.15	F 87
41	2150	35.19	16400	1.20	FF 87
49	1780	29.20	16300	1.40	
9.2kW					
54	1620	26.50	16200	1.85	
61	1440	23.68	16100	2.1	FA 87
68	1300	21.32	15900	2.3	FAF 87
75	1180	19.31	15700	2.5	F 87
84	1040	17.12	15400	2.9	FF 87
93	940	15.48	15200	3.2	
110	800	13.12	14700	3.8	

输出转速 Output speed n_2 [r/min]	输出转矩 Output torque T_a [N·m]	传动比 Ratio i	径向负荷 Permitted overhung load FR2 [N]	使用系数 Service factor fB	机型号 Model
9.2kW					
73	1200	19.70	17400	1.25	
82	1070	17.49	18000	1.40	
92	950	15.64	18300	1.55	
102	860	14.08	18000	1.75	
118	745	12.20	17500	2.0	FA 77
132	665	10.93	17100	2.2	FAF 77
155	570	9.30	16000	1.90	F 77
174	505	8.26	15600	2.1	FF 77
195	450	7.39	1530		



Table with 6 columns: Output speed, Output torque, Ratio, Permitted overhung load, Service factor, Model. Includes sections for 11.0kW, 15.0kW, and 15.0kW.

Table with 6 columns: Output speed, Output torque, Ratio, Permitted overhung load, Service factor, Model. Includes sections for 15.0kW, 18.5kW, 18.5kW, and 22kW.

Table with 6 columns: Output speed, Output torque, Ratio, Permitted overhung load, Service factor, Model. Includes sections for 18.5kW, 22kW, 22kW, and 22kW.

Table with 6 columns: Output speed, Output torque, Ratio, Permitted overhung load, Service factor, Model. Includes sections for 22kW, 22kW, 22kW, and 22kW.



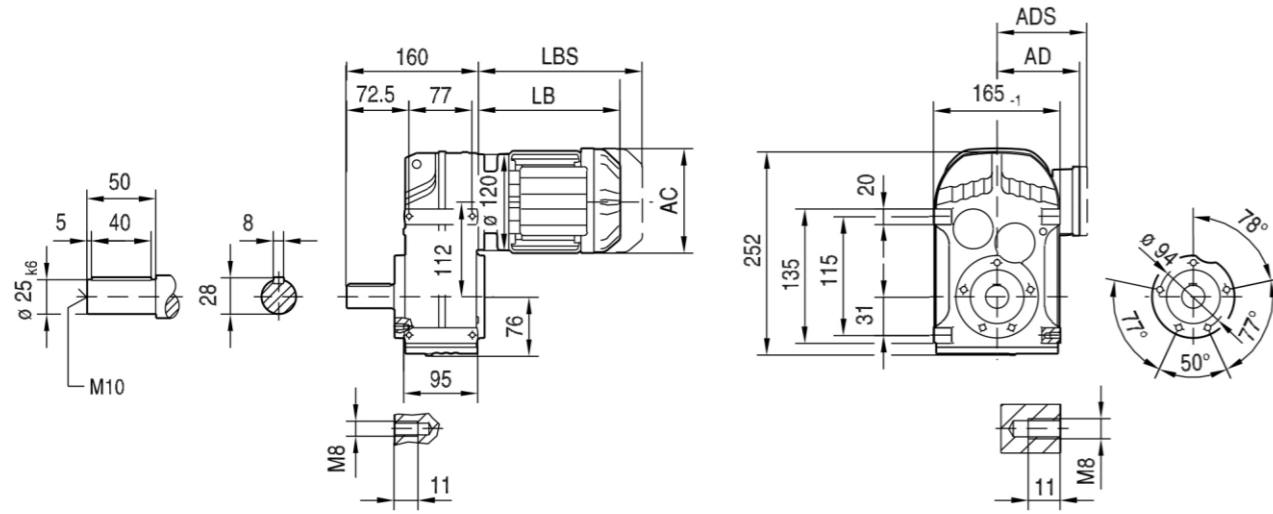
Table with 6 columns: Output speed, Output torque, Ratio, Permitted overhung load, Service factor, Model. Contains data for 30kW, 37kW, 45kW, and 55kW power ranges.

Table with 6 columns: Output speed, Output torque, Ratio, Permitted overhung load, Service factor, Model. Contains data for 37kW, 45kW, 55kW, and 75kW power ranges.

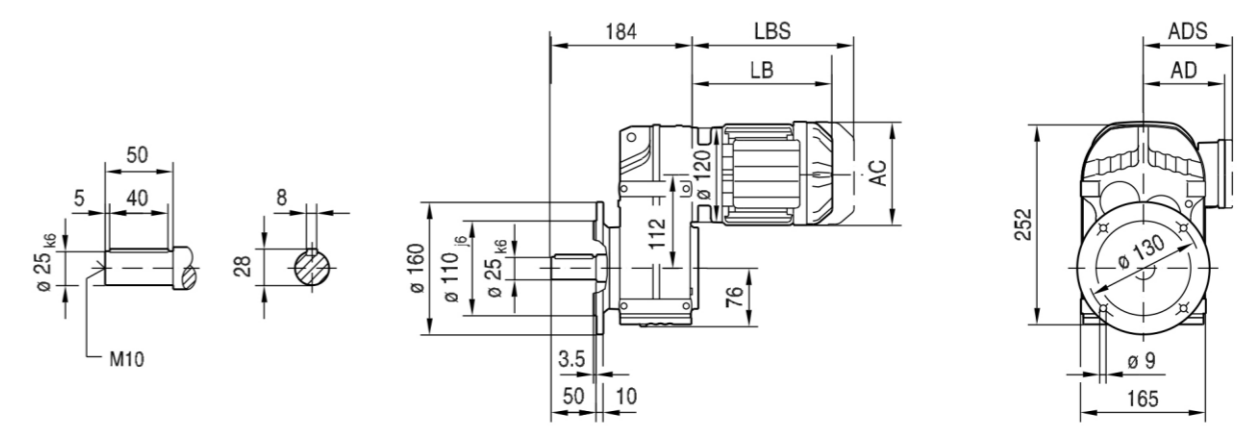
Table with 6 columns: Output speed, Output torque, Ratio, Permitted overhung load, Service factor, Model. Contains data for 55kW, 75kW, 90kW, 110kW, 132kW, 160kW, and 200kW power ranges.

Table with 6 columns: Output speed, Output torque, Ratio, Permitted overhung load, Service factor, Model. Contains data for 90kW, 110kW, 132kW, 160kW, and 200kW power ranges.

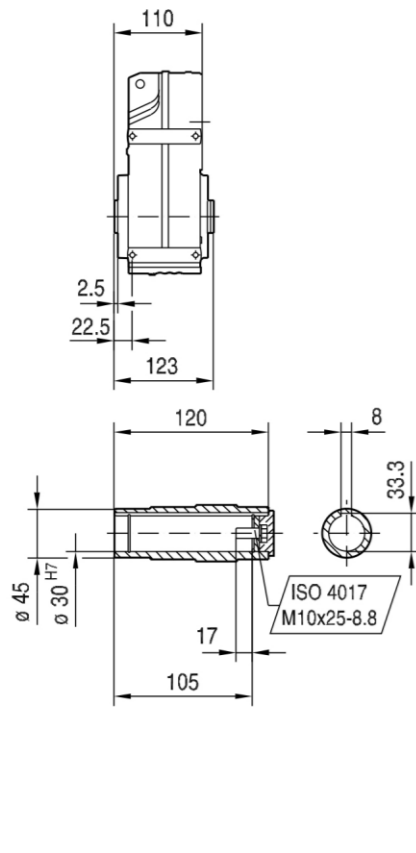
F37..



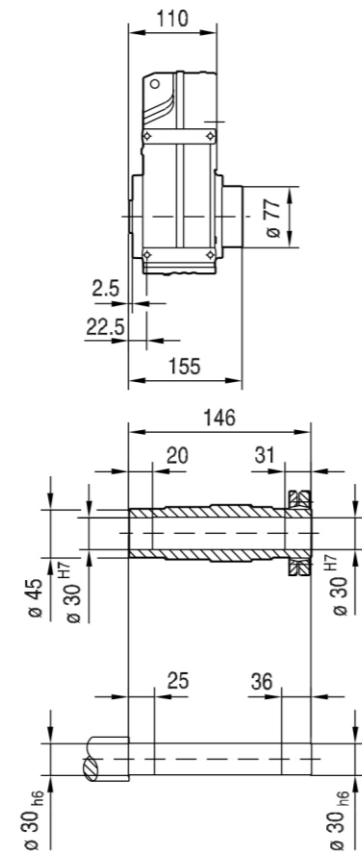
FF37..



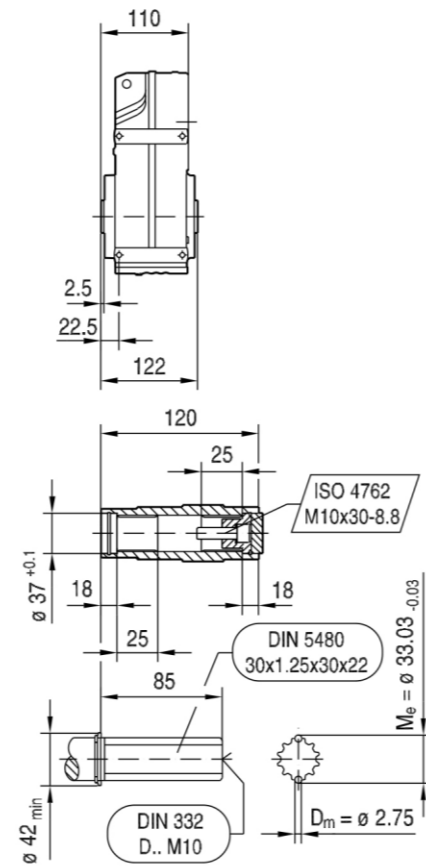
FAB37..



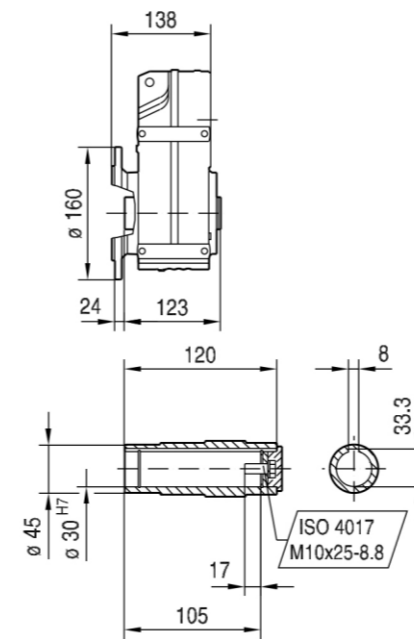
FHB37..



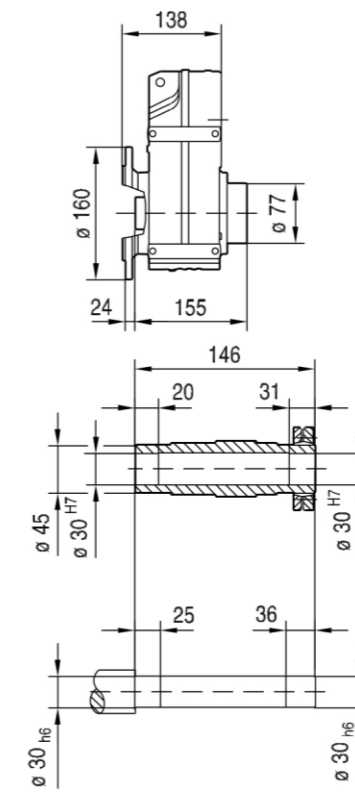
FVB37..



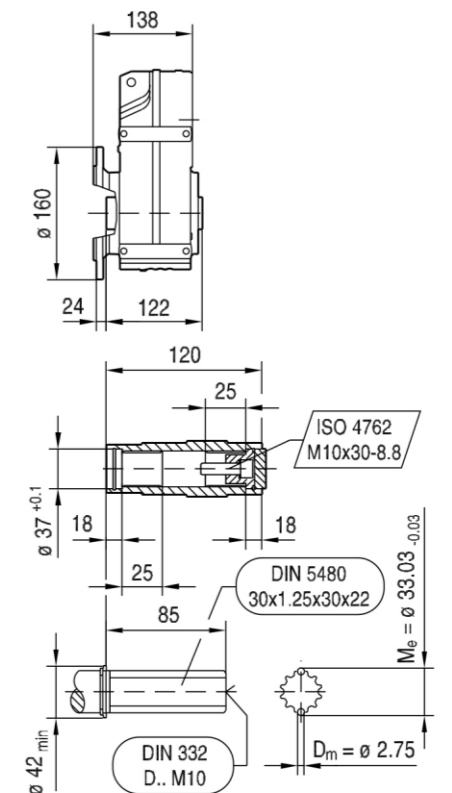
FAF37..



FHF37..



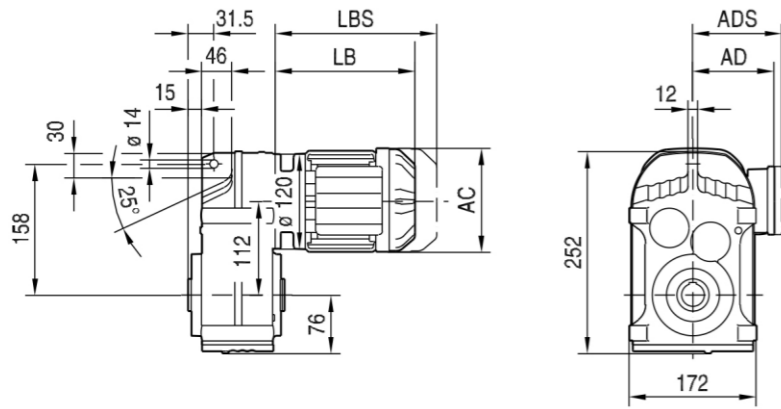
FVF37..



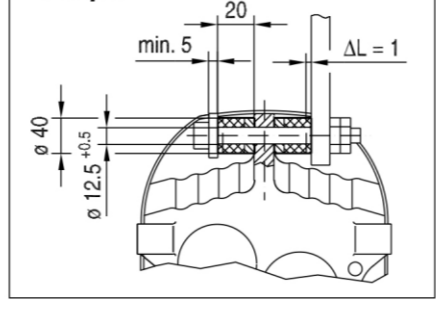
注: 1. LB、LBS、AC、AD、ADS尺寸详见附录A;
Note: 1. See appendix A for the size of LB&LBS&AC&AD&ADS;
2. 电机需方配或配特殊电机时需加联接法兰。(见附录B)
2. When equipping the user's motor or the special one, the flange is required to be connected. (Please see appendix B)

注: 1. LB、LBS、AC、AD、ADS尺寸详见附录A;
Note: 1. See appendix A for the size of LB&LBS&AC&AD&ADS;
2. 电机需方配或配特殊电机时需加联接法兰。(见附录B)
2. When equipping the user's motor or the special one, the flange is required to be connected. (Please see appendix B)

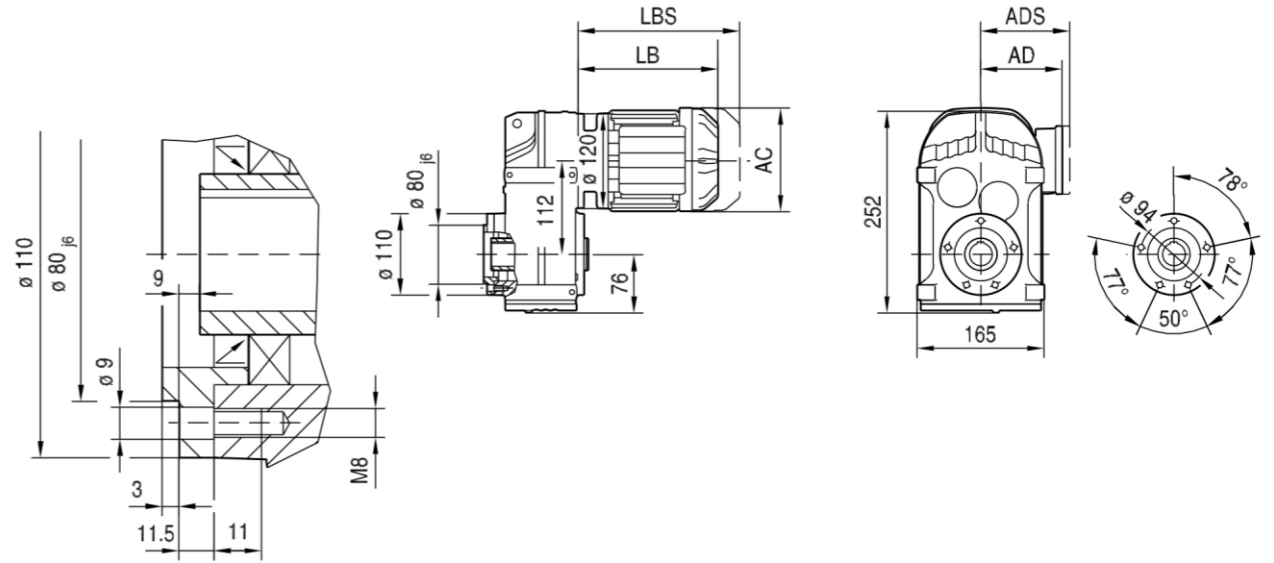
FA37..



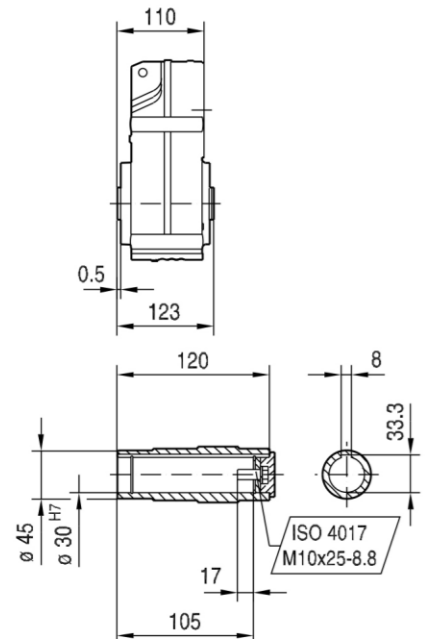
F.. /G



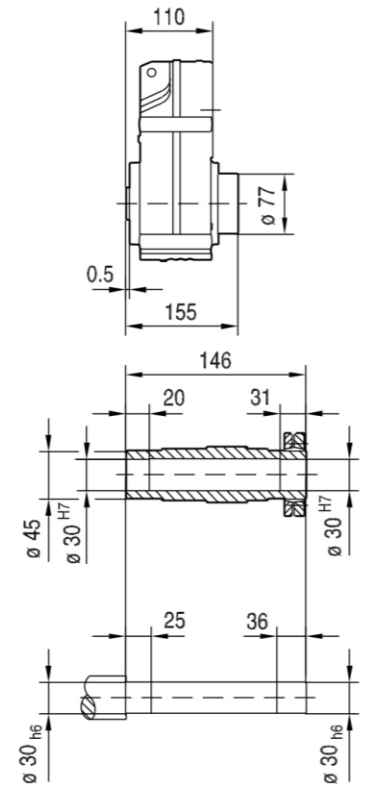
FAZ37..



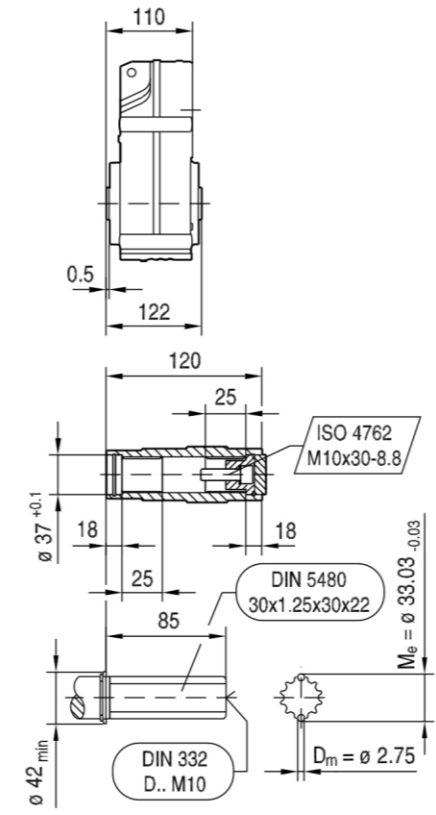
FA37..



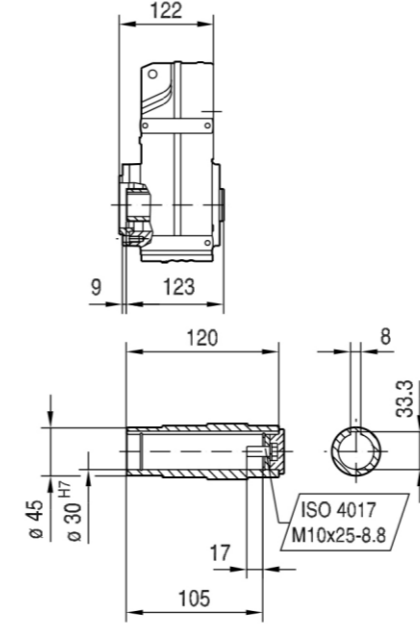
FH37..



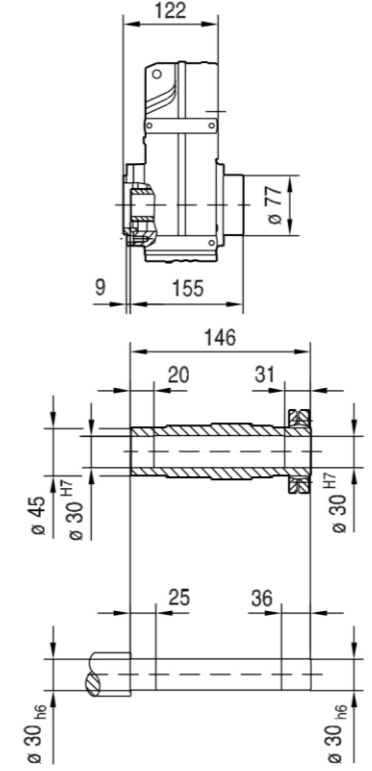
FV37..



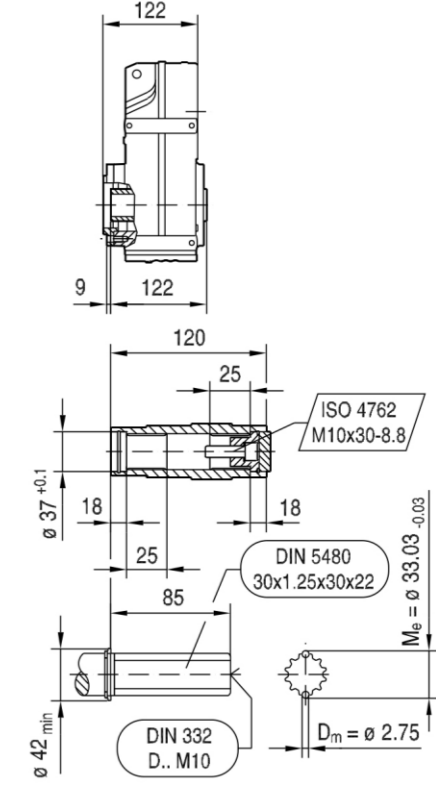
FAZ37..



FHZ37..



FVZ37..

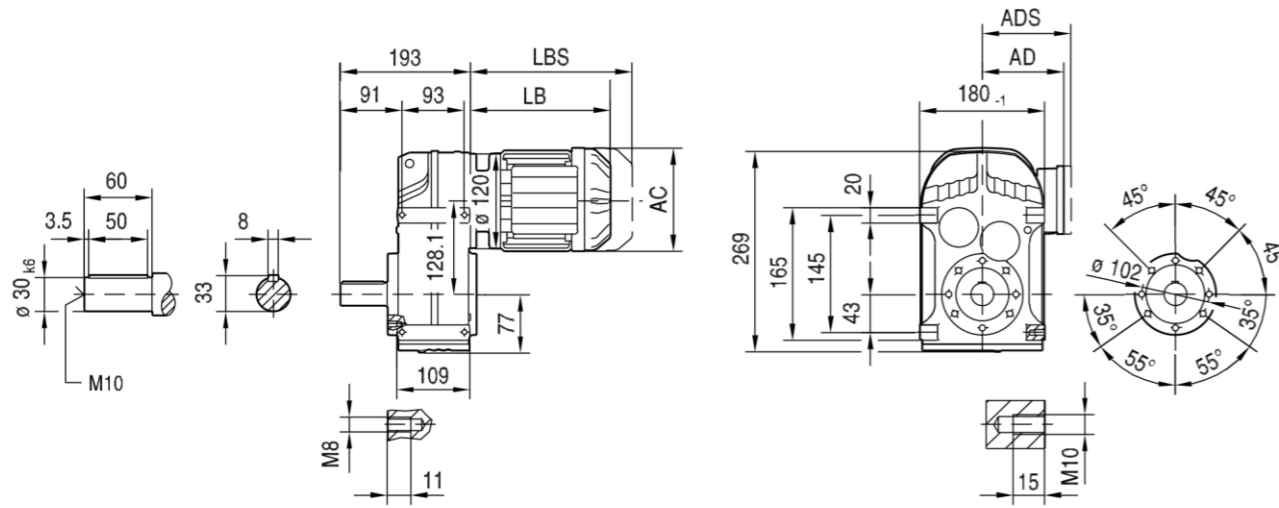


注: 1. LB、LBS、AC、AD、ADS尺寸详见附录A;
Note: 1. See appendix A for the size of LB&LBS&AC&AD&ADS;
2. 电机需方配或配特殊电机时需加联接法兰。(见附录B)
2. When equipping the user's motor or the special one, the flange is required to connected. (Please see appendix B)

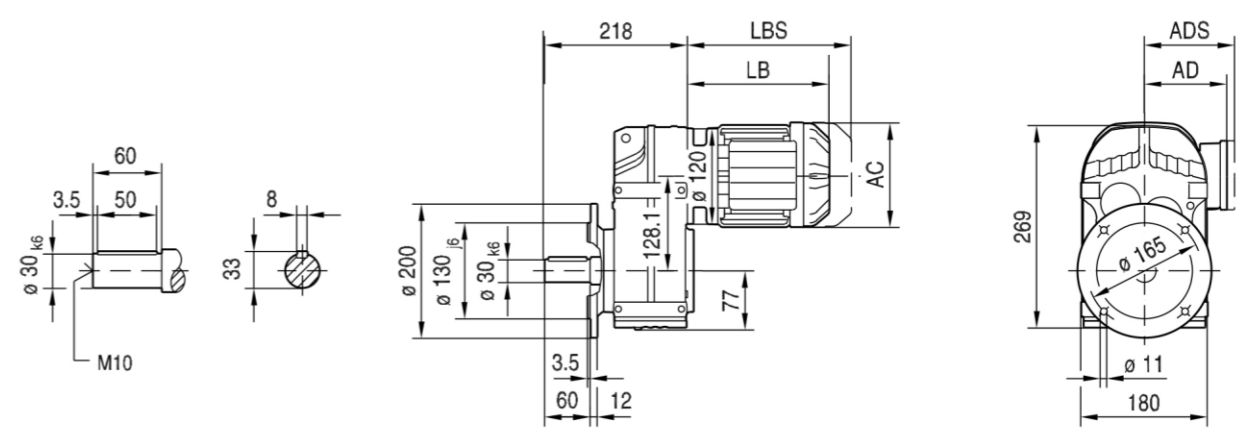
注: 1. LB、LBS、AC、AD、ADS尺寸详见附录A;
Note: 1. See appendix A for the size of LB&LBS&AC&AD&ADS;
2. 电机需方配或配特殊电机时需加联接法兰。(见附录B)
2. When equipping the user's motor or the special one, the flange is required to connected. (Please see appendix B)



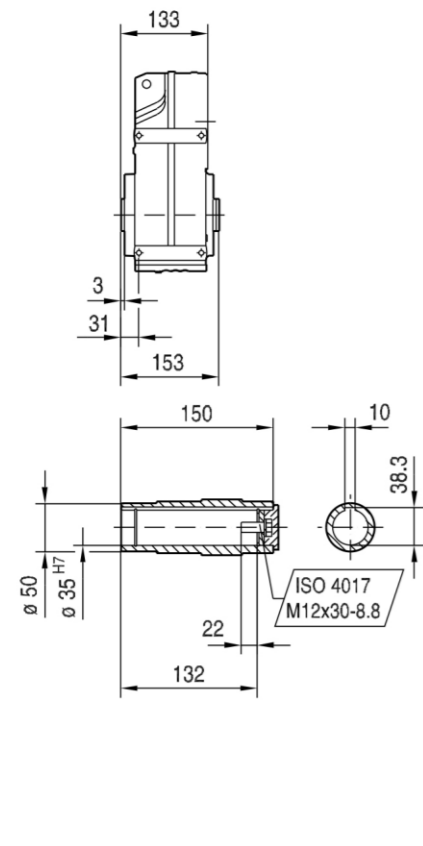
F47..



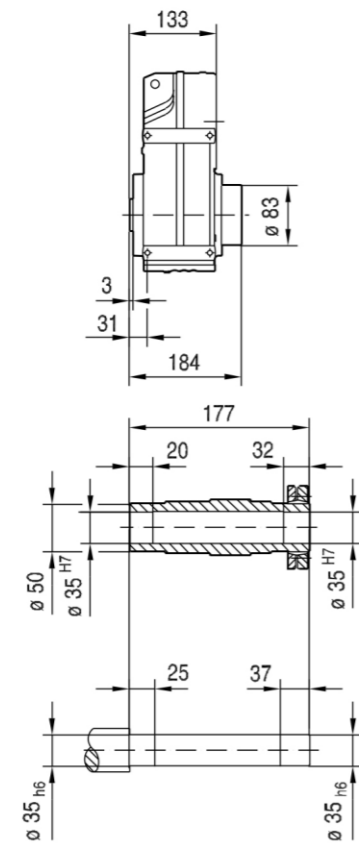
FF47..



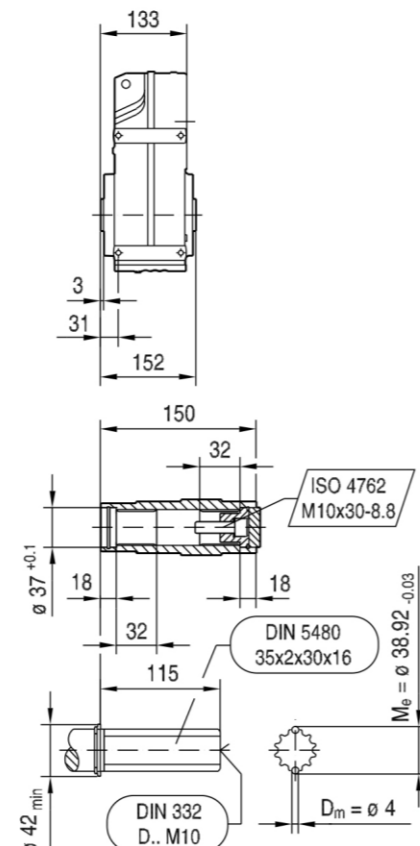
FAB47..



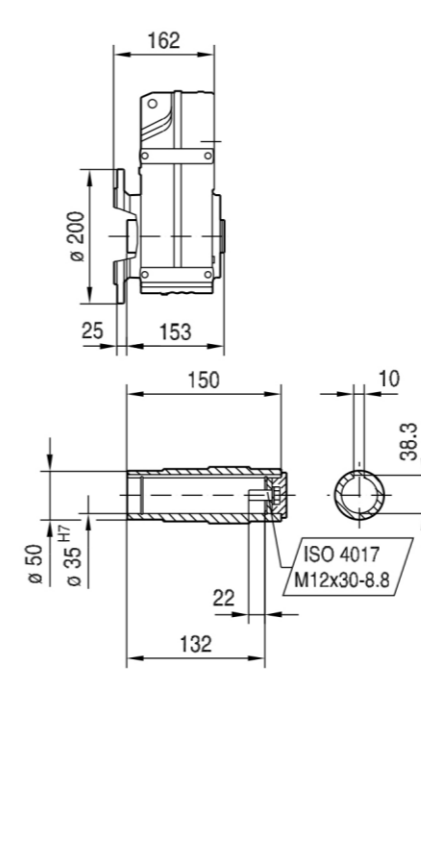
FHB47..



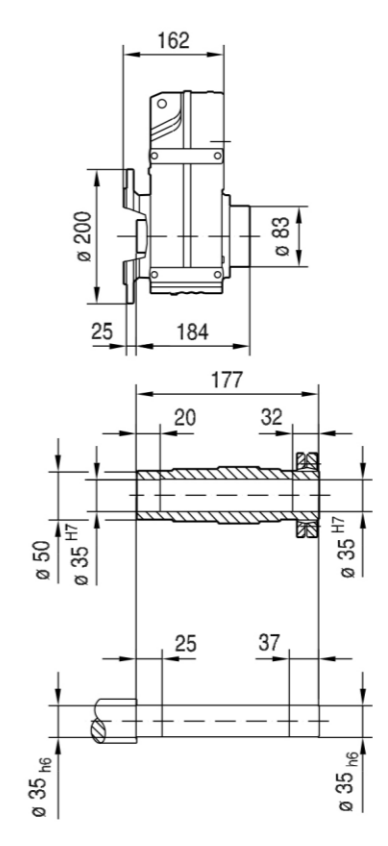
FVB47..



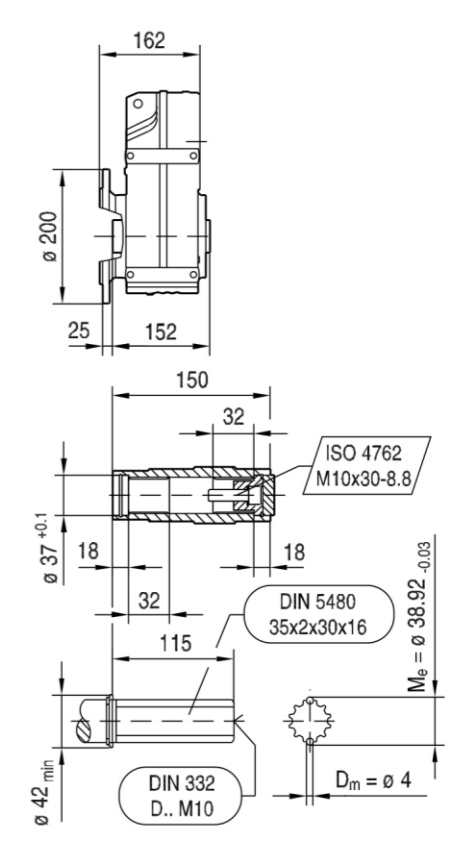
FAF47..



FHF47..



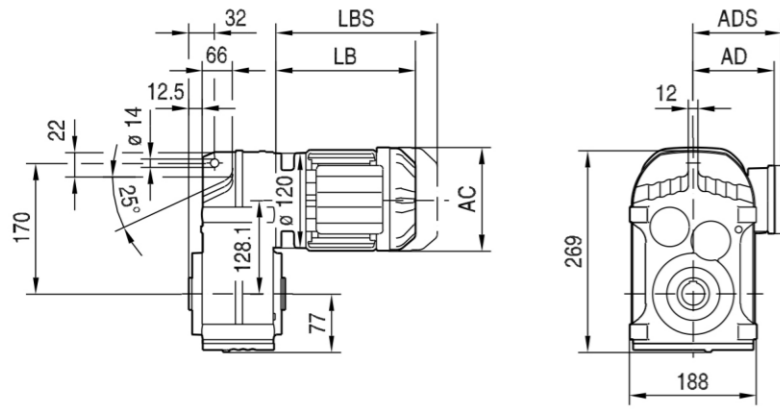
FVF47..



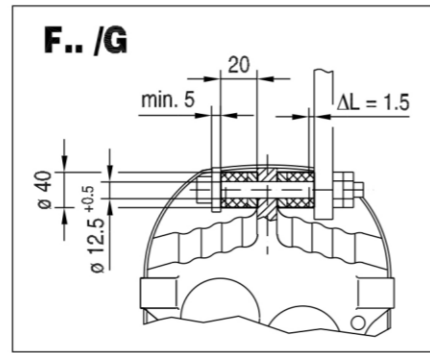
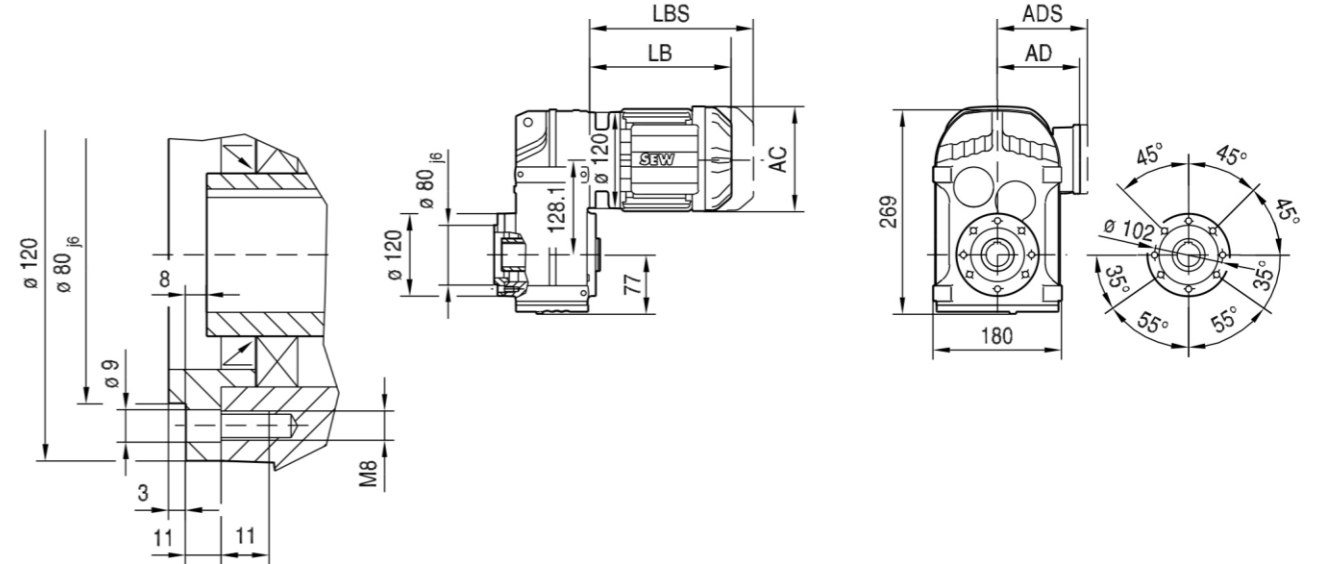
注: 1. LB、LBS、AC、AD、ADS尺寸详见附录A;
Note: 1. See appendix A for the size of LB&LBS&AC&AD&ADS;
2. 电机需方配或配特殊电机时需加联接法兰。(见附录B)
2. When equipping the user's motor or the special one, the flange is required to connected. (Please see appendix B)

注: 1. LB、LBS、AC、AD、ADS尺寸详见附录A;
Note: 1. See appendix A for the size of LB&LBS&AC&AD&ADS;
2. 电机需方配或配特殊电机时需加联接法兰。(见附录B)
2. When equipping the user's motor or the special one, the flange is required to connected. (Please see appendix B)

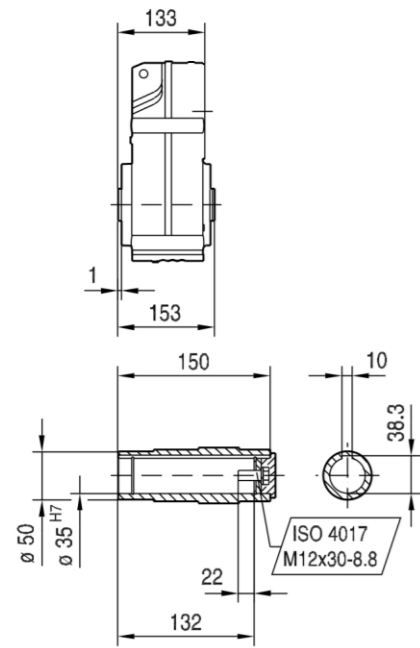
FA47..



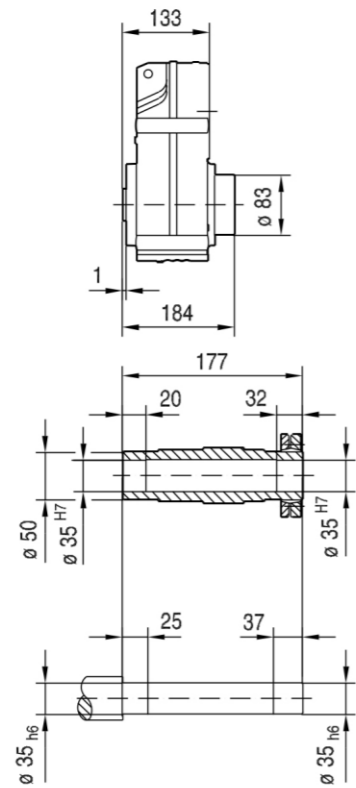
FAZ47..



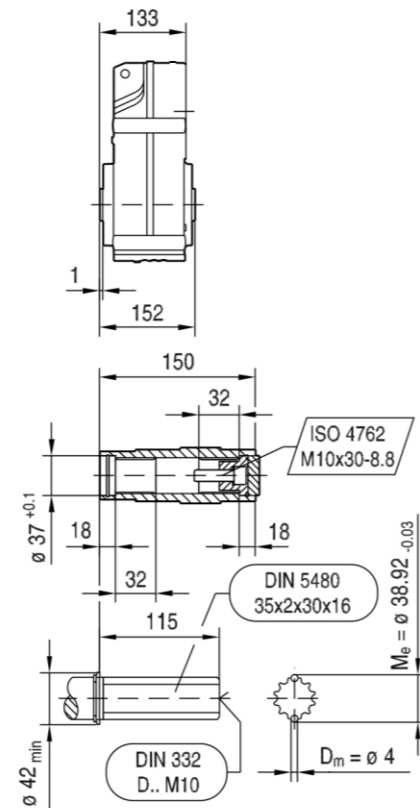
FA47..



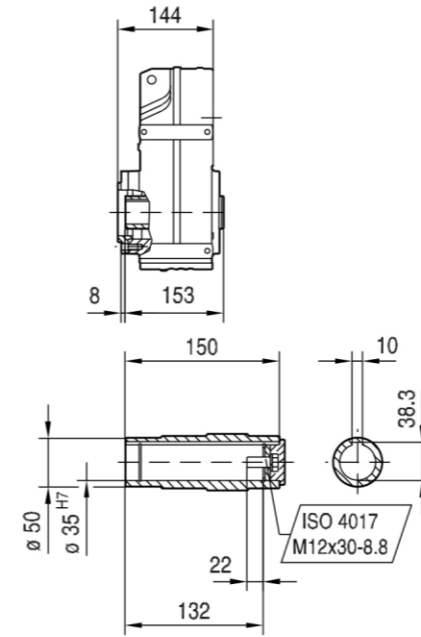
FH47..



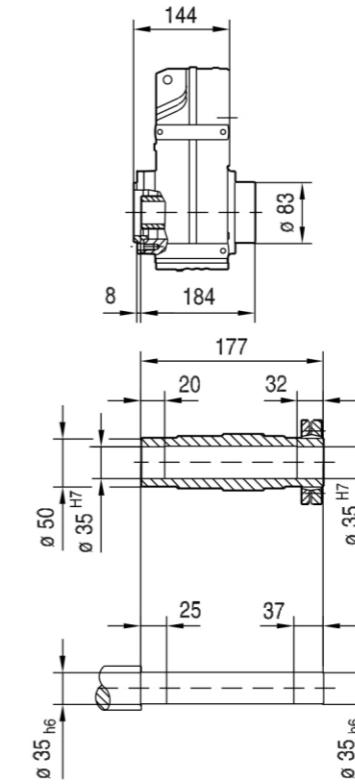
FV47..



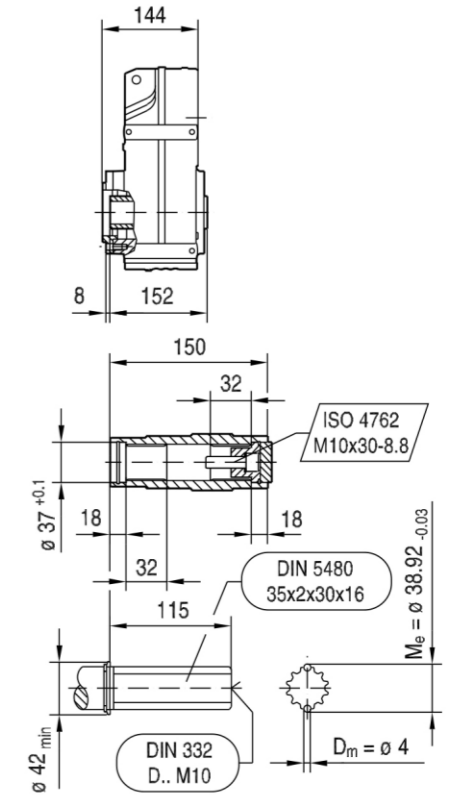
FAZ47..



FHZ47..



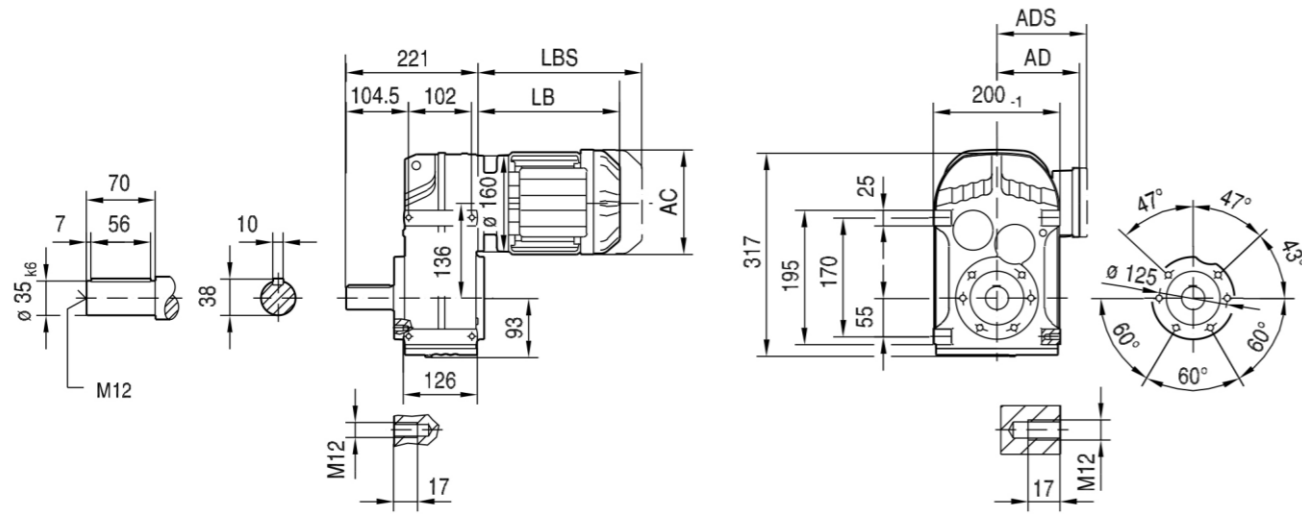
FVZ47..



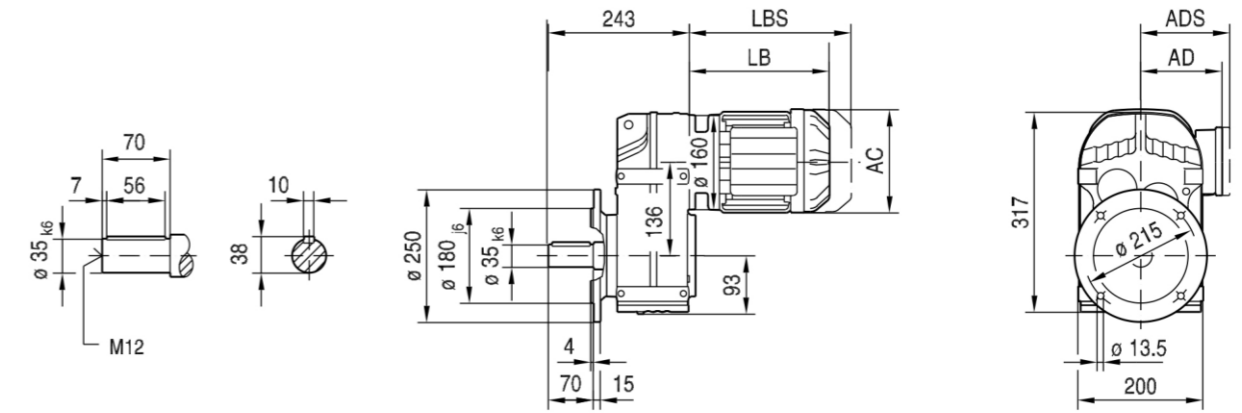
注： 1. LB、LBS、AC、AD、ADS尺寸详见附录A；
Note: 1. See appendix A for the size of LB&LBS&AC&AD&ADS;
2. 电机需方配或配特殊电机时需加联接法兰。(见附录B)
2. When equipping the user's motor or the special one, the flange is required to connected. (Please see appendix B)

注： 1. LB、LBS、AC、AD、ADS尺寸详见附录A；
Note: 1. See appendix A for the size of LB&LBS&AC&AD&ADS;
2. 电机需方配或配特殊电机时需加联接法兰。(见附录B)
2. When equipping the user's motor or the special one, the flange is required to connected. (Please see appendix B)

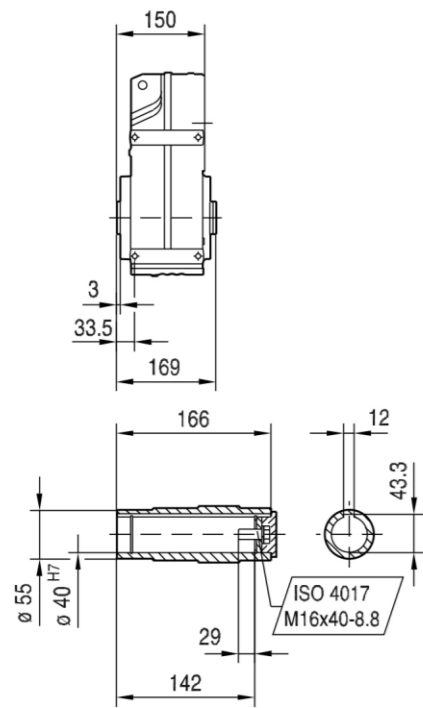
F57..



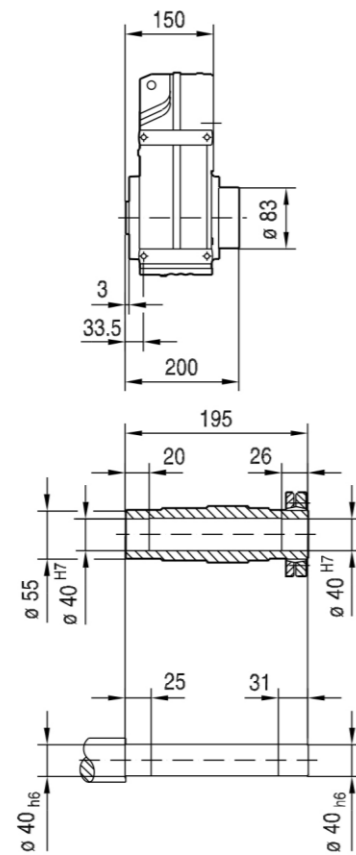
FF57..



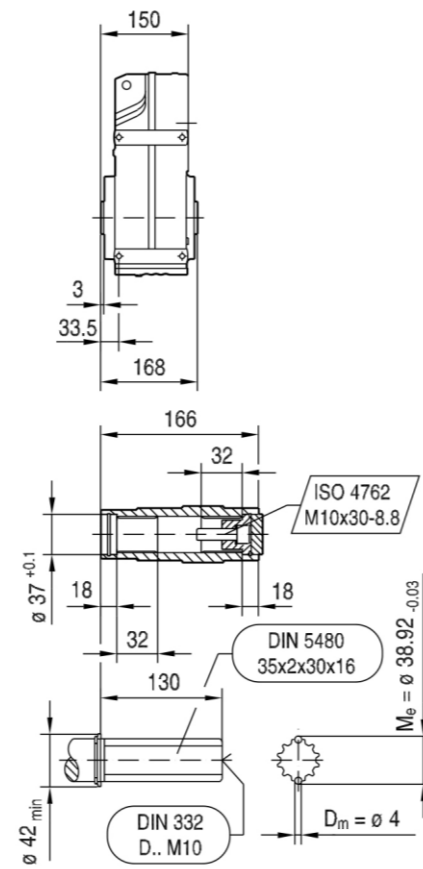
FAB57..



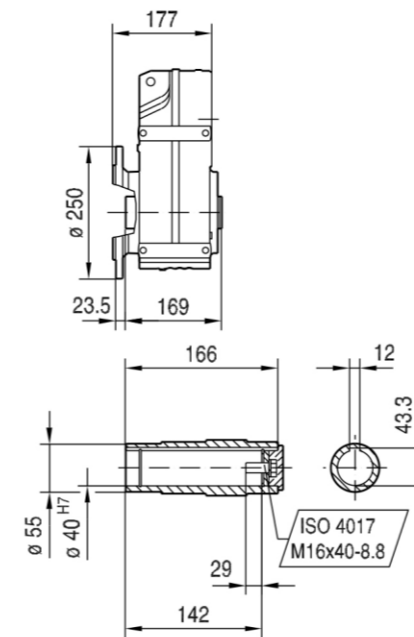
FHB57..



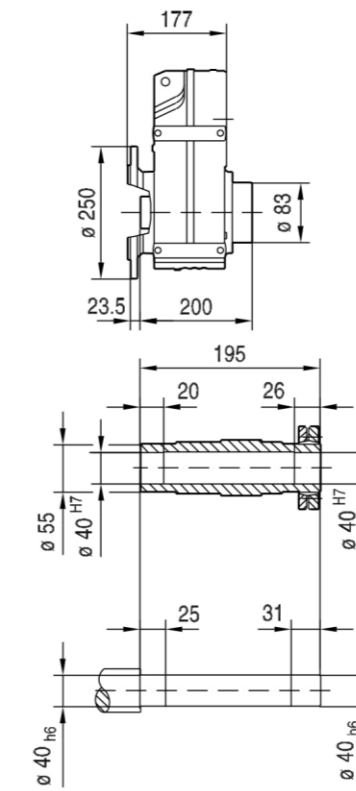
FVB57..



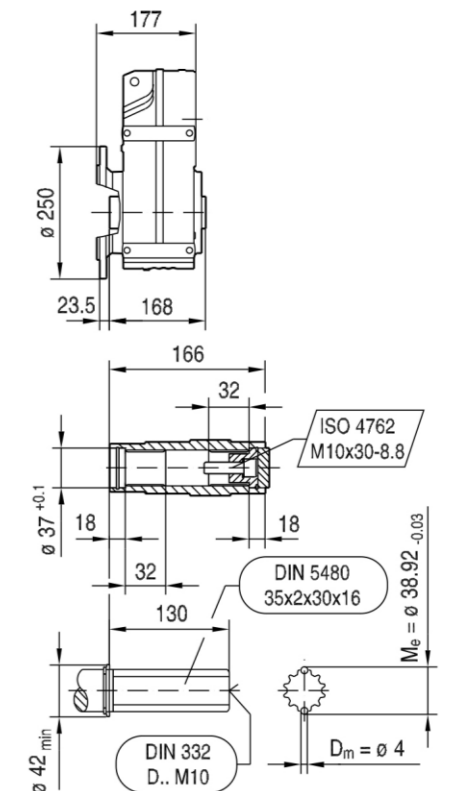
FAF57..



FHF57..



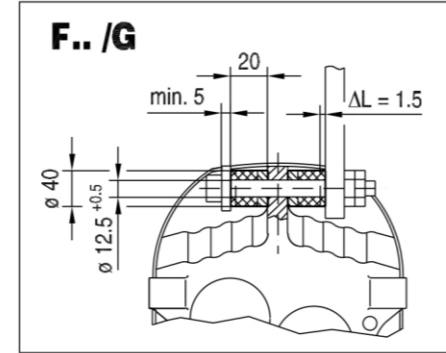
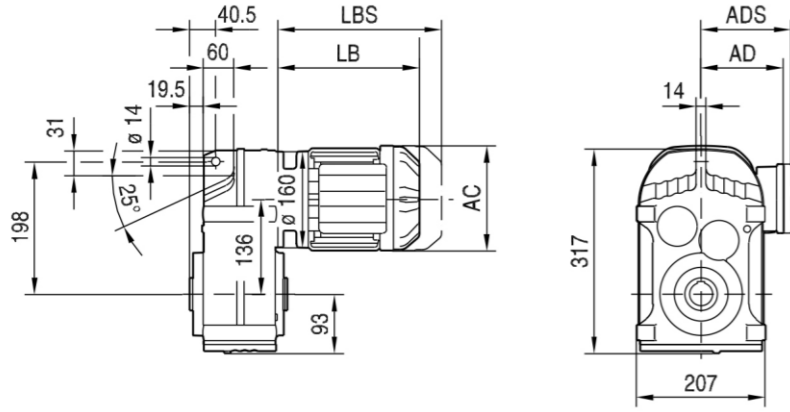
FVF57..



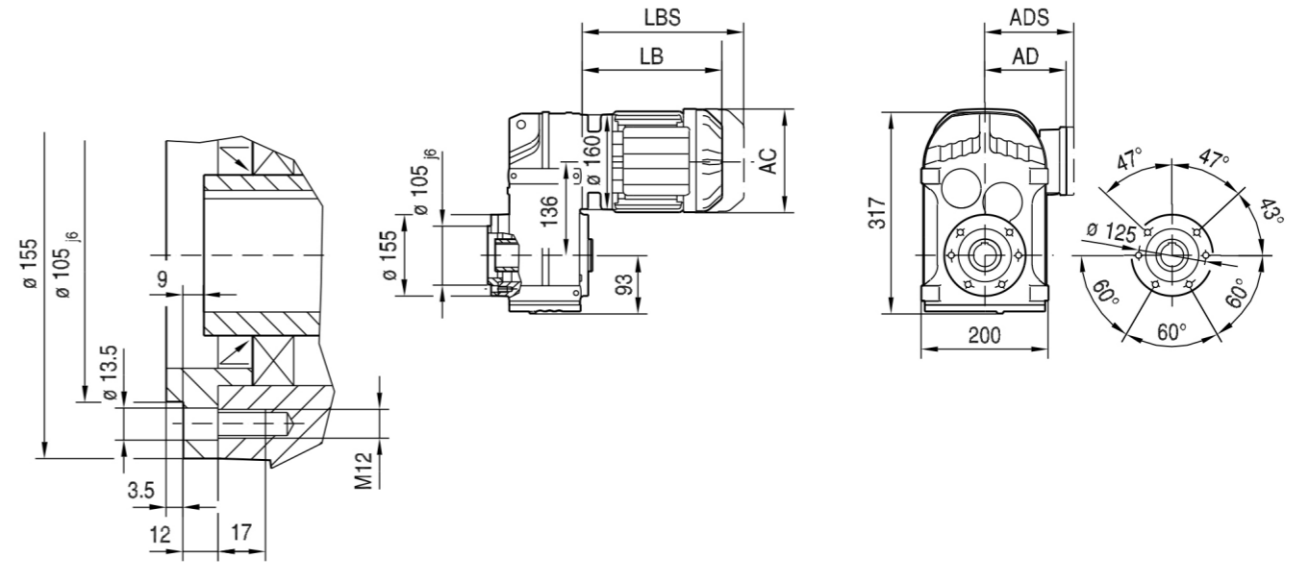
注: 1. LB、LBS、AC、AD、ADS尺寸详见附录A;
Note: 1. See appendix A for the size of LB&LBS&AC&AD&ADS;
2. 电机需方配或配特殊电机时需加联接法兰。(见附录B)
2. When equipping the user's motor or the special one, the flange is required to be connected. (Please see appendix B)

注: 1. LB、LBS、AC、AD、ADS尺寸详见附录A;
Note: 1. See appendix A for the size of LB&LBS&AC&AD&ADS;
2. 电机需方配或配特殊电机时需加联接法兰。(见附录B)
2. When equipping the user's motor or the special one, the flange is required to be connected. (Please see appendix B)

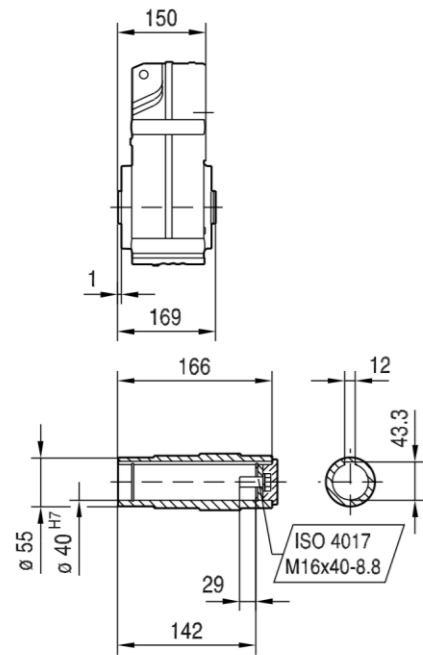
FA57..



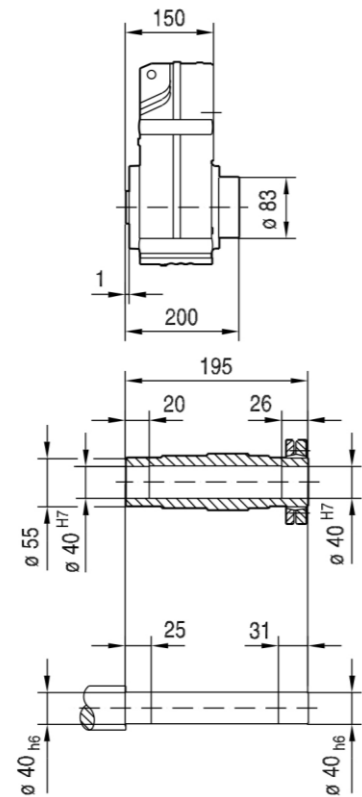
FAZ57..



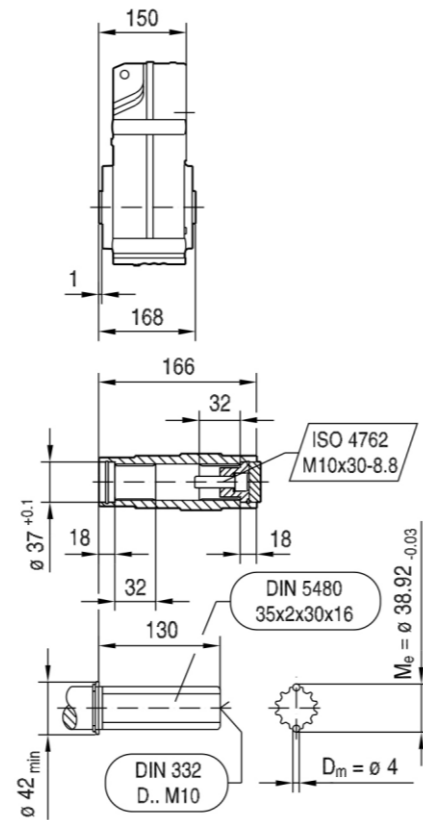
FA57..



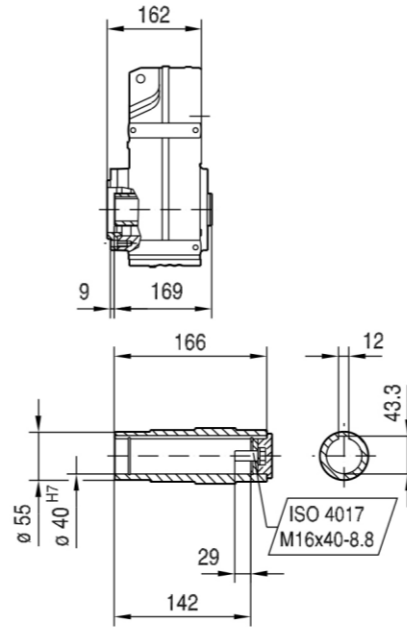
FH57..



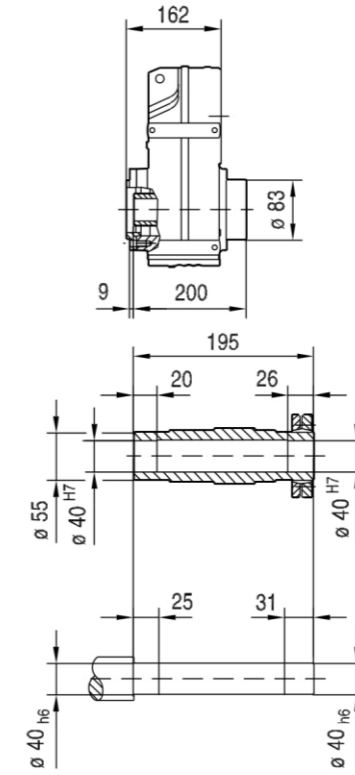
FV57..



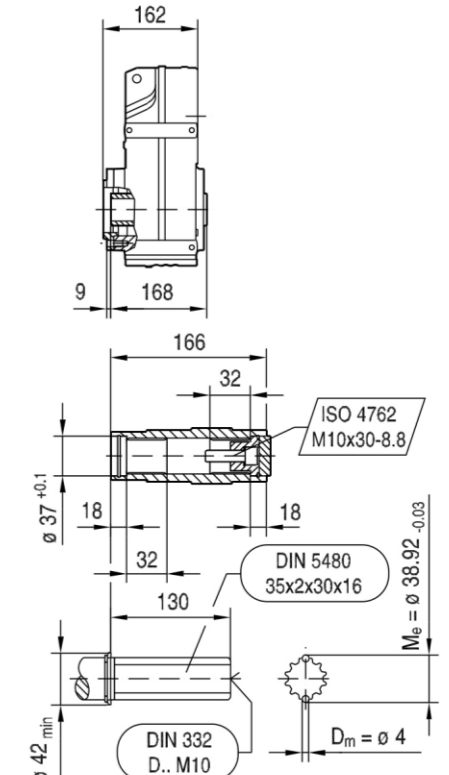
FAZ57..



FHZ57..



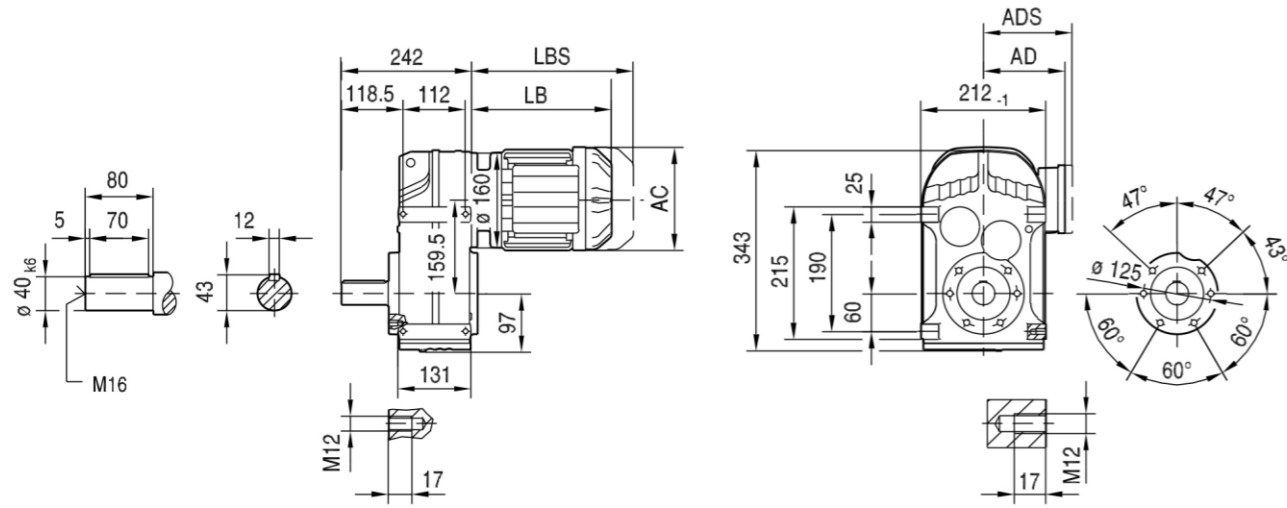
FVZ57..



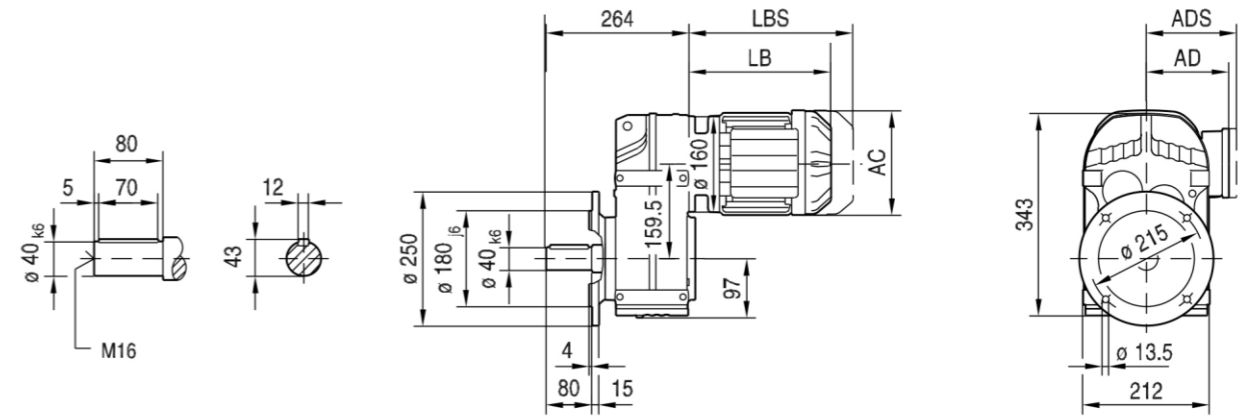
注： 1. LB、LBS、AC、AD、ADS尺寸详见附录A；
Note: 1. See appendix A for the size of LB&LBS&AC&AD&ADS;
2. 电机需方配或配特殊电机时需加联接法兰。(见附录B)
2. When equipping the user's motor or the special one, the flange is required to connected.(Please see appendix B)

注： 1. LB、LBS、AC、AD、ADS尺寸详见附录A；
Note: 1. See appendix A for the size of LB&LBS&AC&AD&ADS;
2. 电机需方配或配特殊电机时需加联接法兰。(见附录B)
2. When equipping the user's motor or the special one, the flange is required to connected.(Please see appendix B)

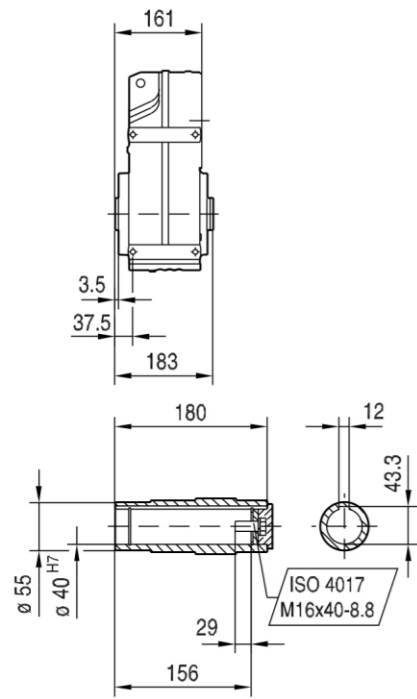
F67..



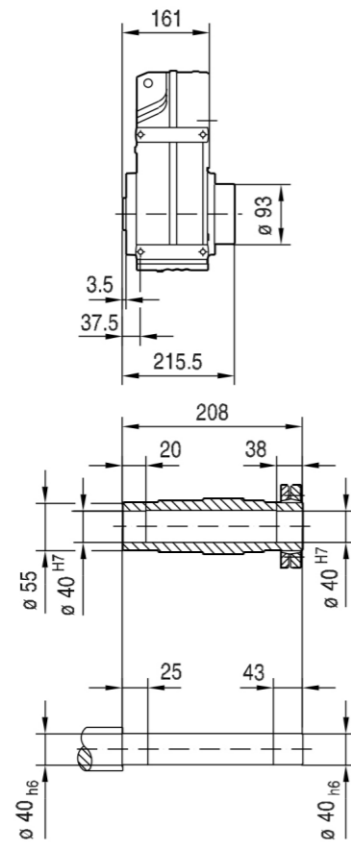
FF67..



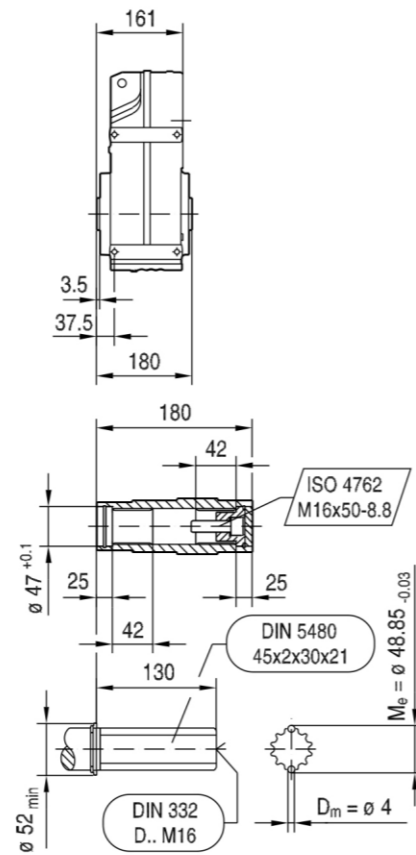
FAB67..



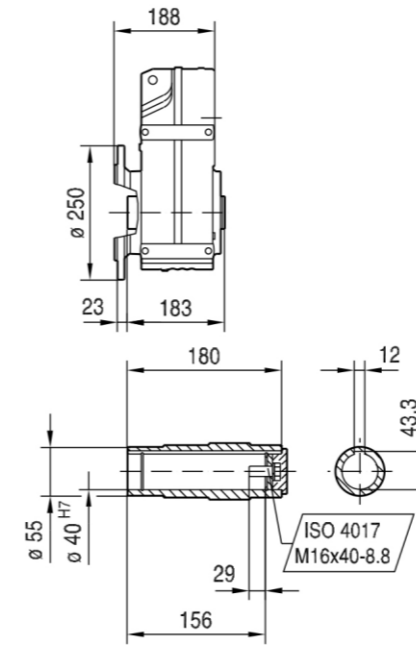
FHB67..



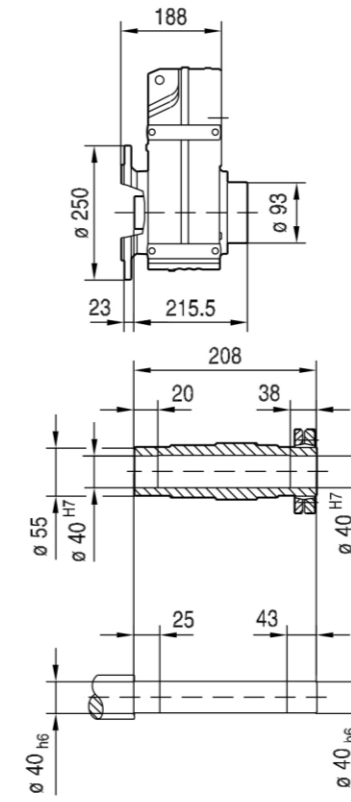
FVB67..



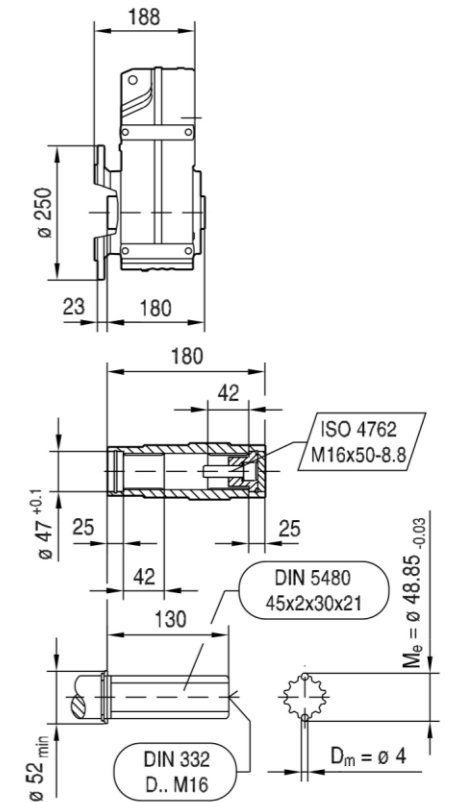
FAF67..



FHF67..



FVF67..

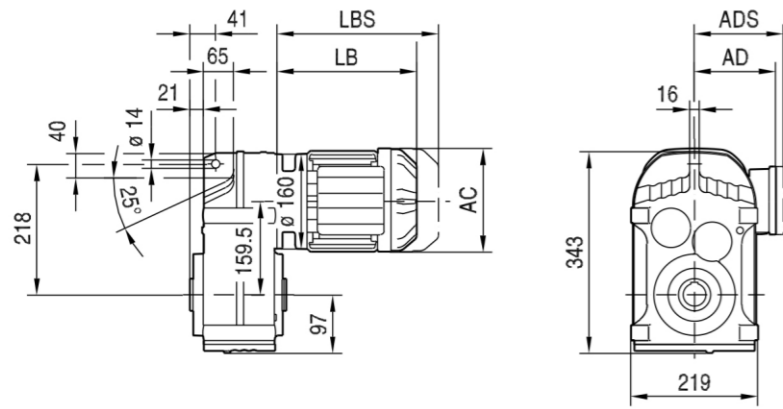


注： 1. LB、LBS、AC、AD、ADS尺寸详见附录A；
Note: 1. See appendix A for the size of LB&LBS&AC&AD&ADS;
2. 电机需方配或配特殊电机时需加联接法兰。(见附录B)
2. When equipping the user's motor or the special one, the flange is required to connected. (Please see appendix B)

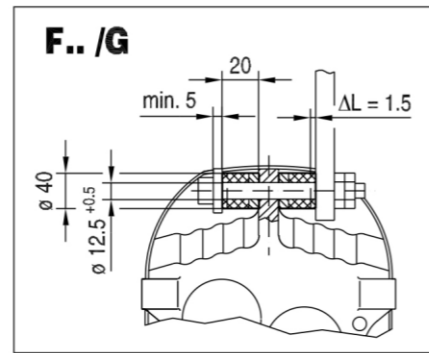
注： 1. LB、LBS、AC、AD、ADS尺寸详见附录A；
Note: 1. See appendix A for the size of LB&LBS&AC&AD&ADS;
2. 电机需方配或配特殊电机时需加联接法兰。(见附录B)
2. When equipping the user's motor or the special one, the flange is required to connected. (Please see appendix B)



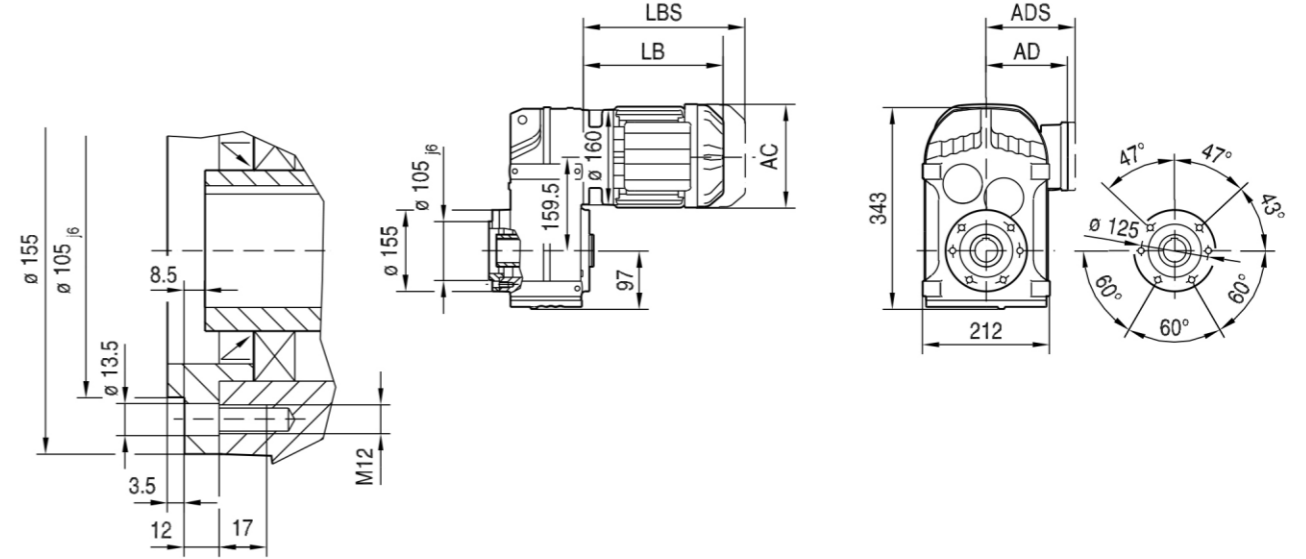
FA67..



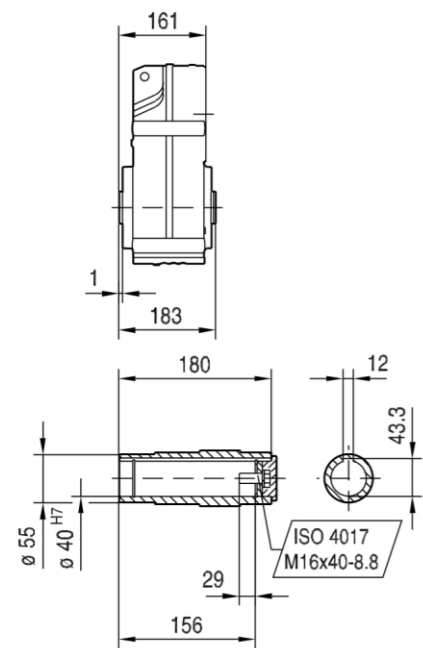
F.. /G



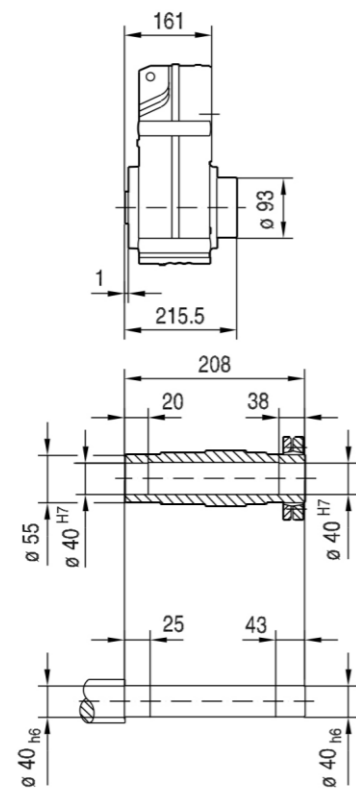
FAZ67..



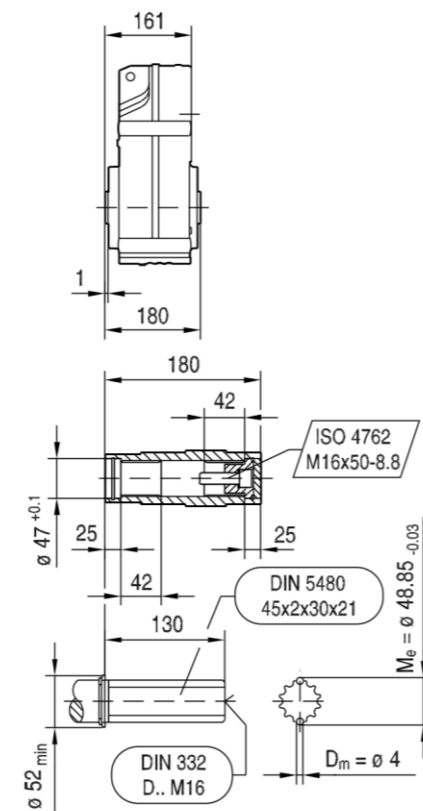
FA67..



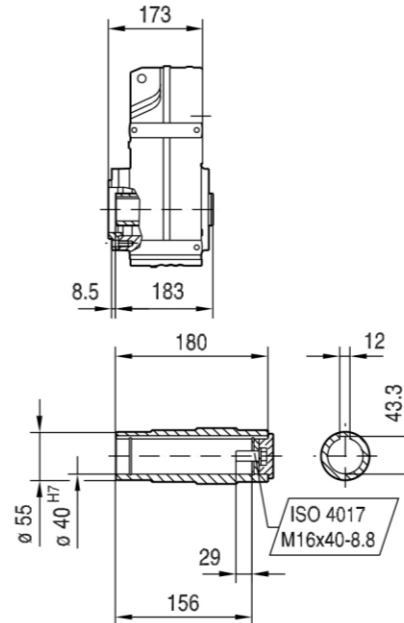
FH67..



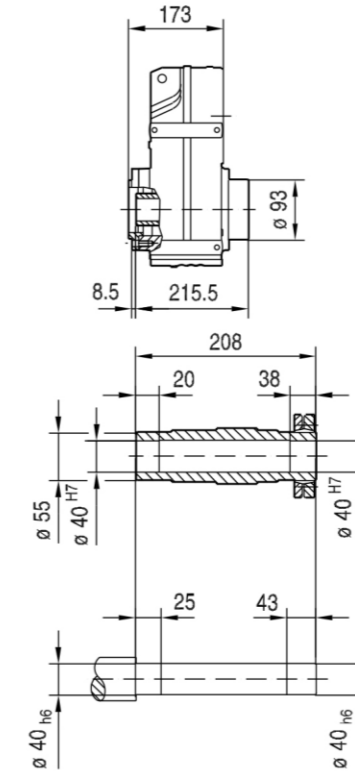
FV67..



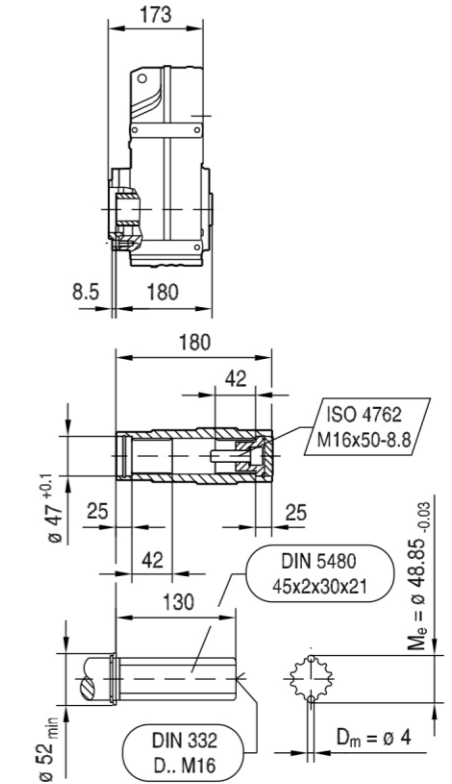
FAZ67..



FHZ67..



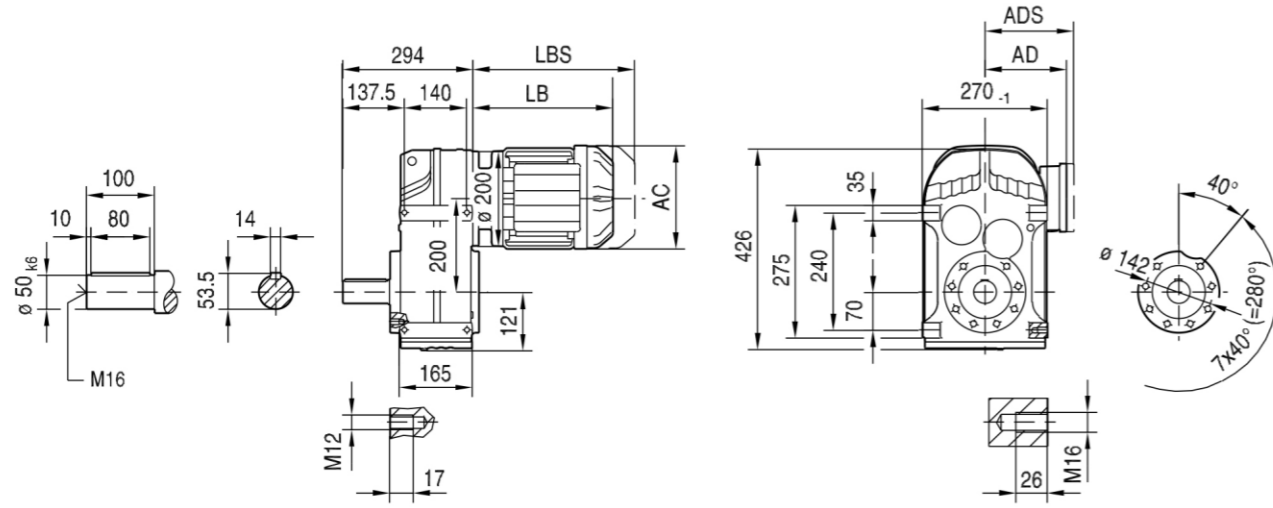
FVZ67..



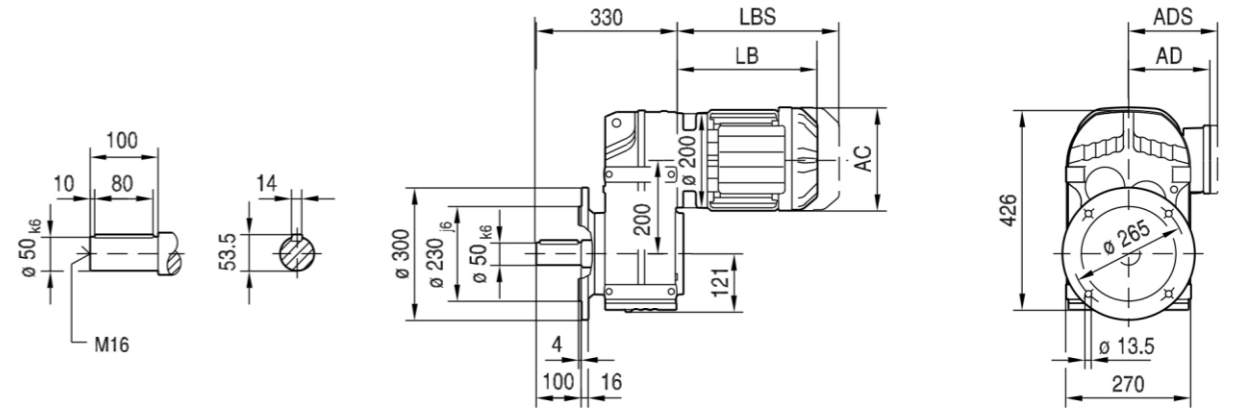
注： 1. LB、LBS、AC、AD、ADS尺寸详见附录A；
Note: 1. See appendix A for the size of LB&LBS&AC&AD&ADS;
2. 电机需方配或配特殊电机时需加联接法兰。(见附录B)
2. When equipping the user's motor or the special one, the flange is required to connected. (Please see appendix B)

注： 1. LB、LBS、AC、AD、ADS尺寸详见附录A；
Note: 1. See appendix A for the size of LB&LBS&AC&AD&ADS;
2. 电机需方配或配特殊电机时需加联接法兰。(见附录B)
2. When equipping the user's motor or the special one, the flange is required to connected. (Please see appendix B)

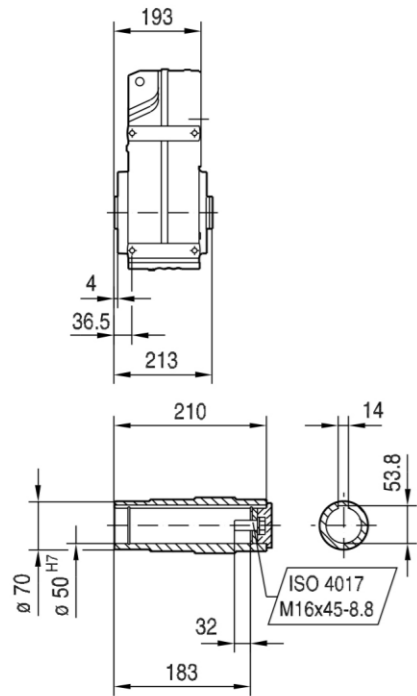
F77..



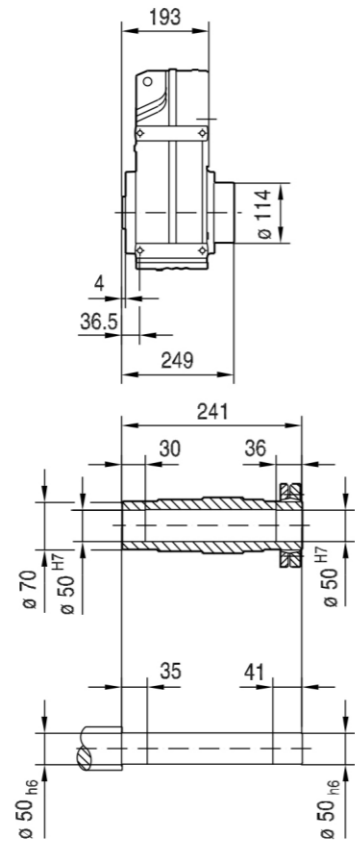
FF77..



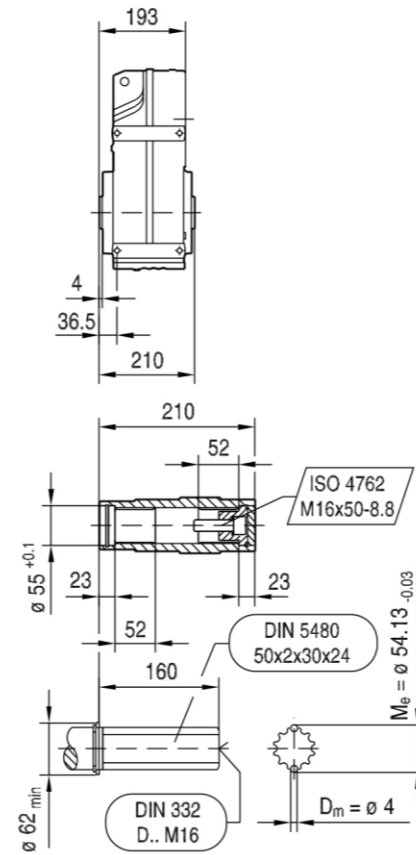
FAB77..



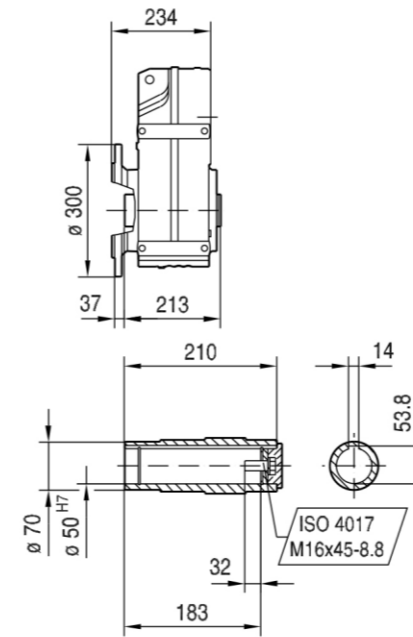
FHB77..



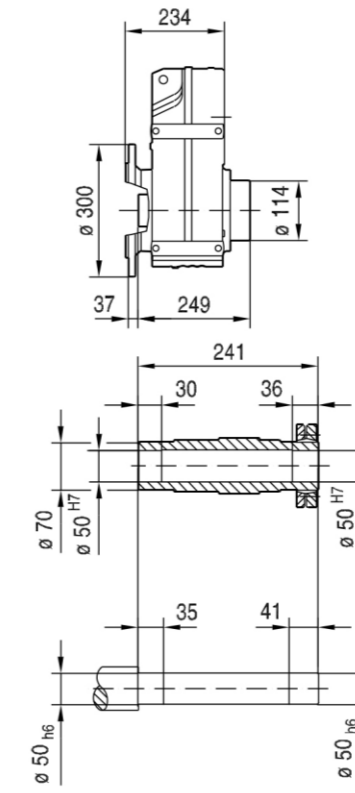
FVB77..



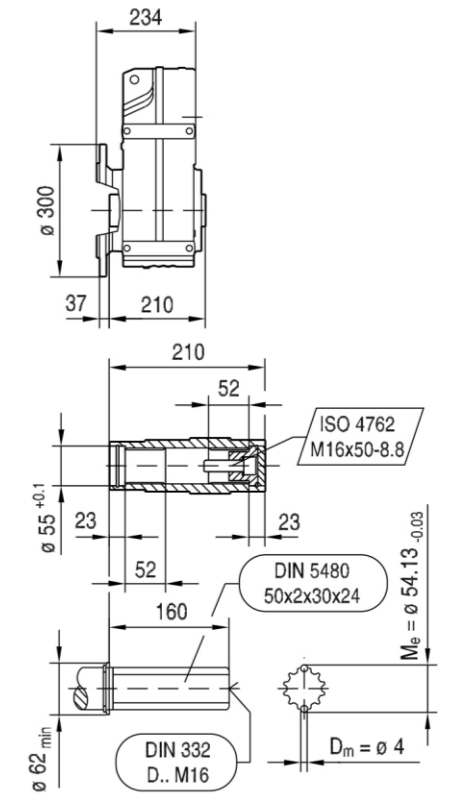
FAF77..



FHF77..



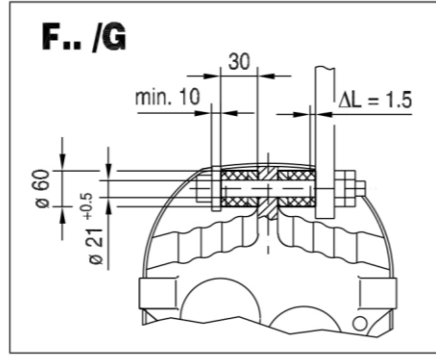
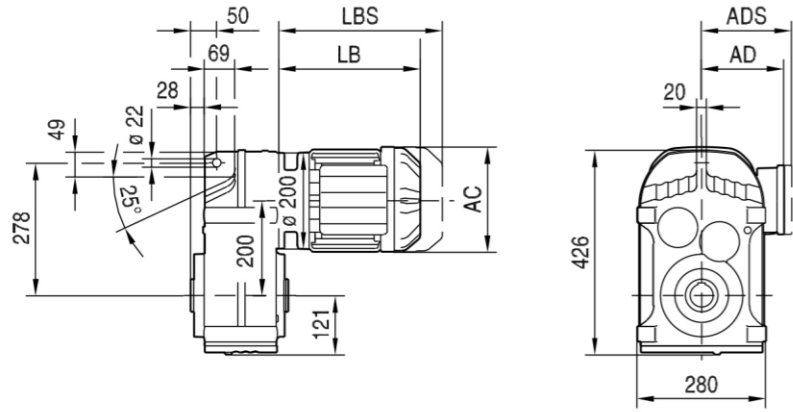
FVF77..



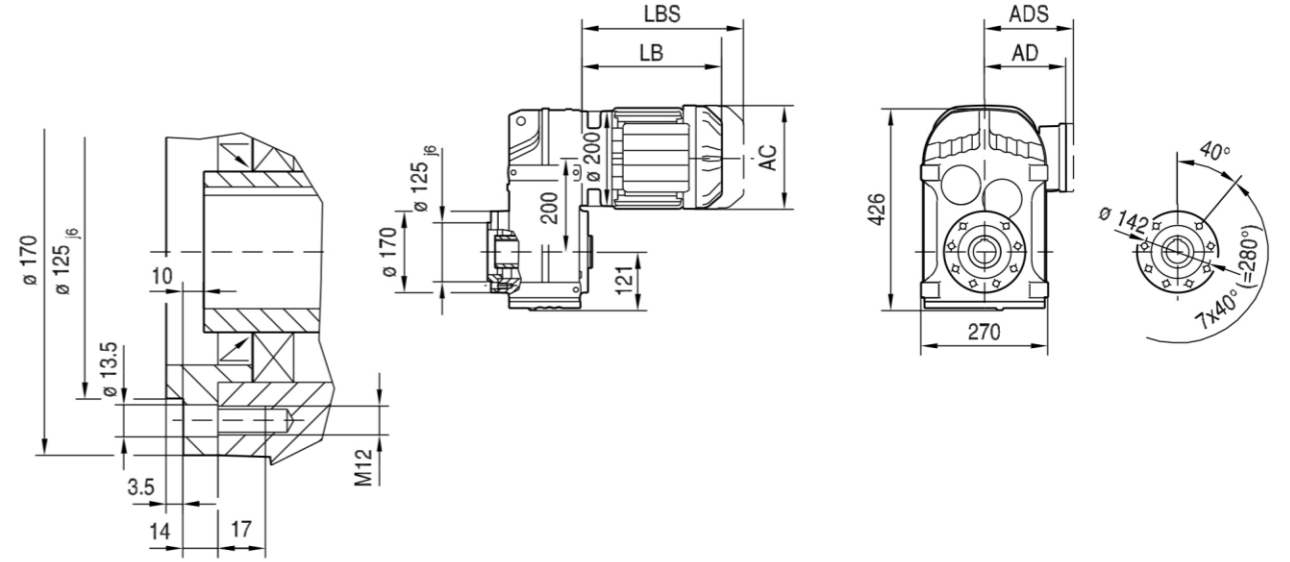
注: 1. LB、LBS、AC、AD、ADS尺寸详见附录A;
Note: 1. See appendix A for the size of LB&LBS&AC&AD&ADS;
2. 电机需方配或配特殊电机时需加联接法兰。(见附录B)
2. When equipping the user's motor or the special one, the flange is required to be connected. (Please see appendix B)

注: 1. LB、LBS、AC、AD、ADS尺寸详见附录A;
Note: 1. See appendix A for the size of LB&LBS&AC&AD&ADS;
2. 电机需方配或配特殊电机时需加联接法兰。(见附录B)
2. When equipping the user's motor or the special one, the flange is required to be connected. (Please see appendix B)

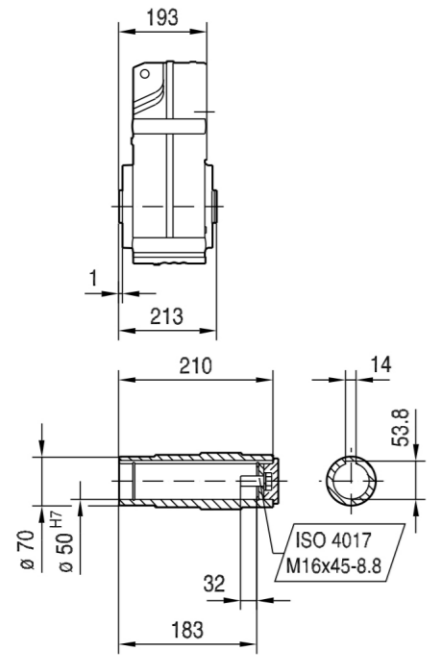
FA77..



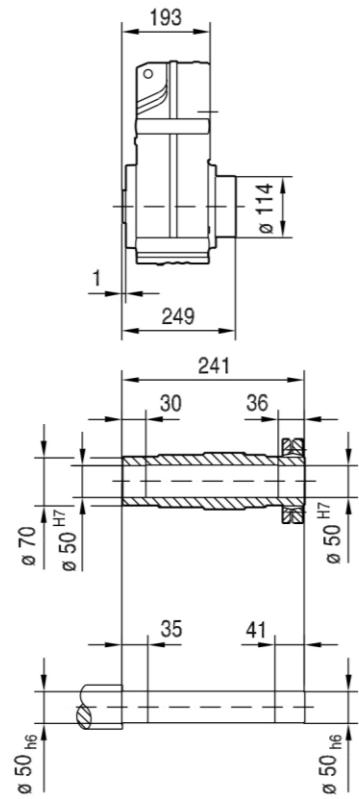
FAZ77..



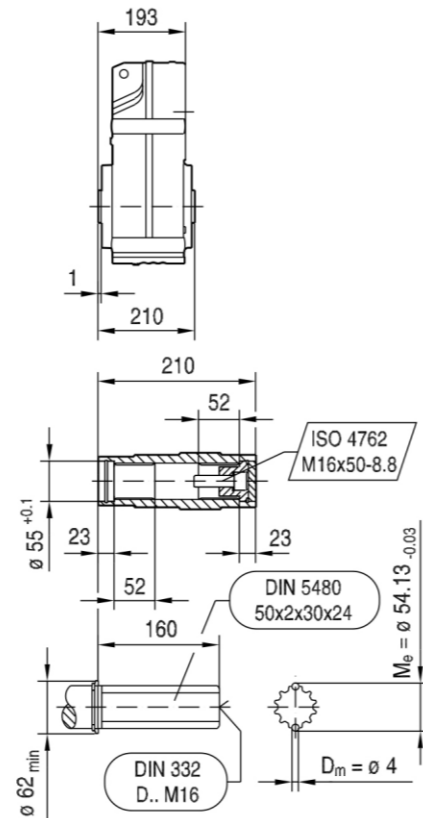
FA77..



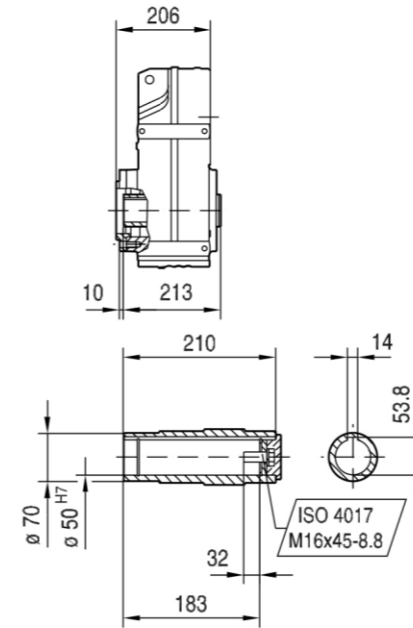
FH77..



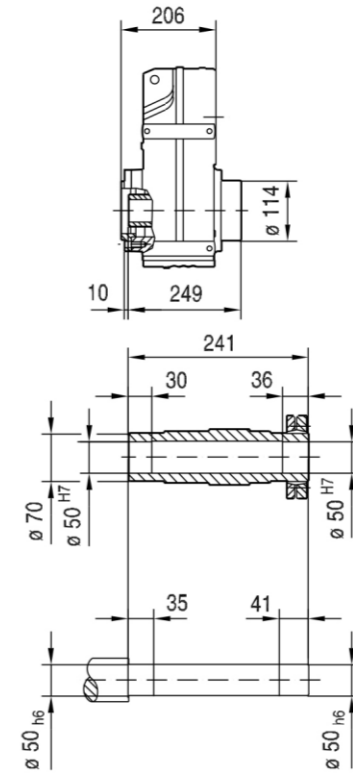
FV77..



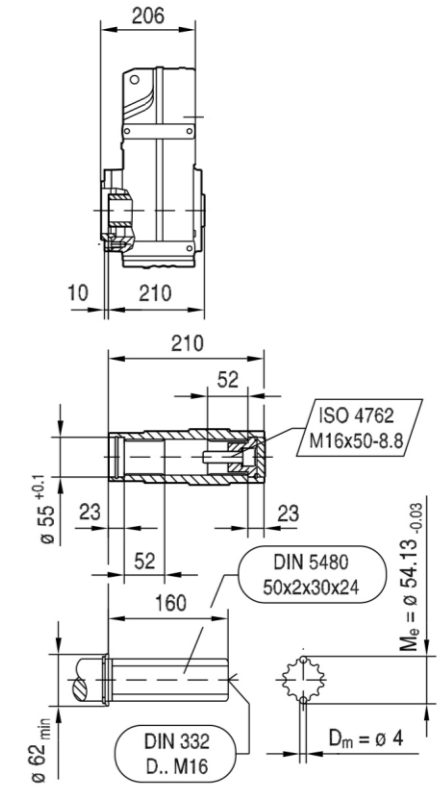
FAZ77..



FHZ77..



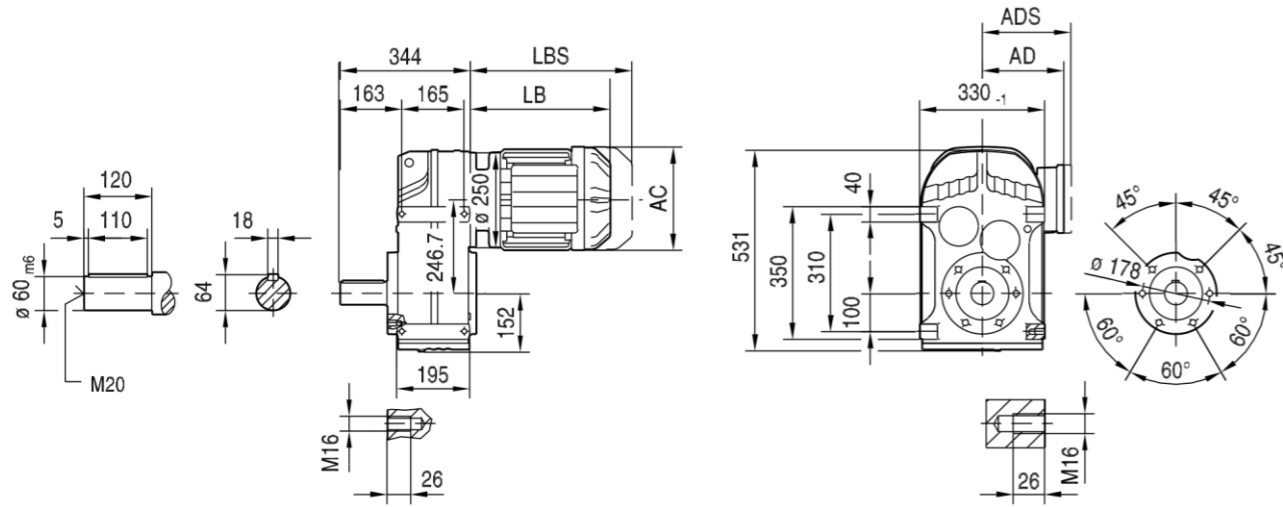
FVZ77..



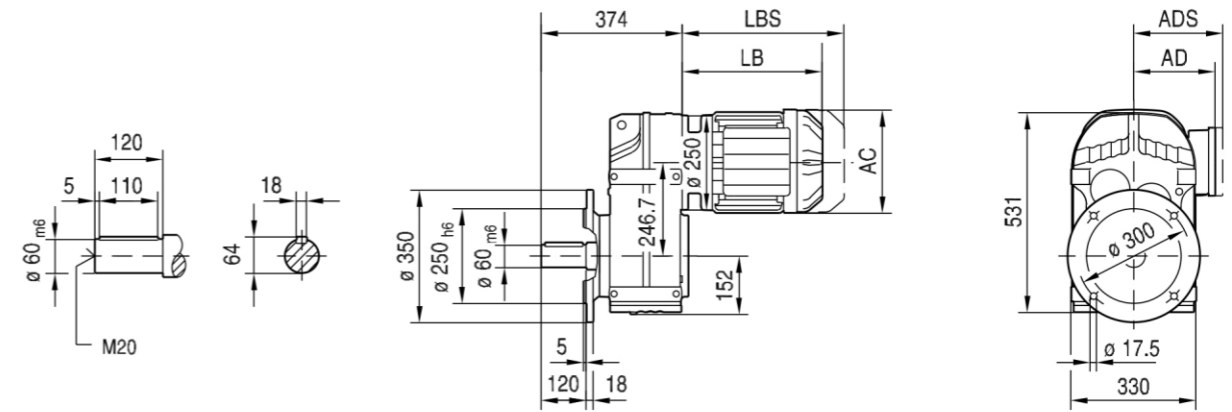
注: 1. LB、LBS、AC、AD、ADS尺寸详见附录A;
Note: 1. See appendix A for the size of LB&LBS&AC&AD&ADS;
2. 电机需方配或配特殊电机时需加联接法兰。(见附录B)
2. When equipping the user's motor or the special one, the flange is required to connected. (Please see appendix B)

注: 1. LB、LBS、AC、AD、ADS尺寸详见附录A;
Note: 1. See appendix A for the size of LB&LBS&AC&AD&ADS;
2. 电机需方配或配特殊电机时需加联接法兰。(见附录B)
2. When equipping the user's motor or the special one, the flange is required to connected. (Please see appendix B)

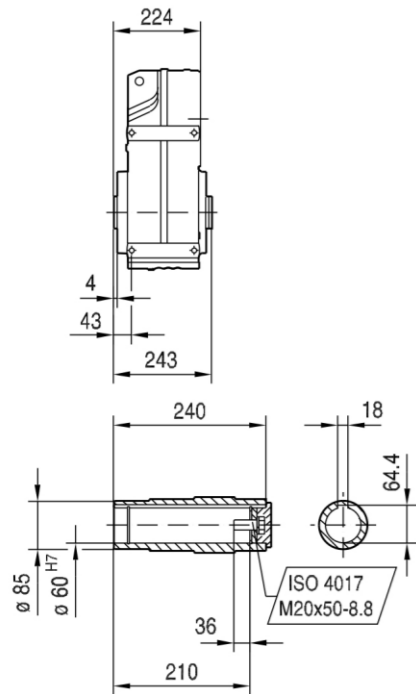
F87..



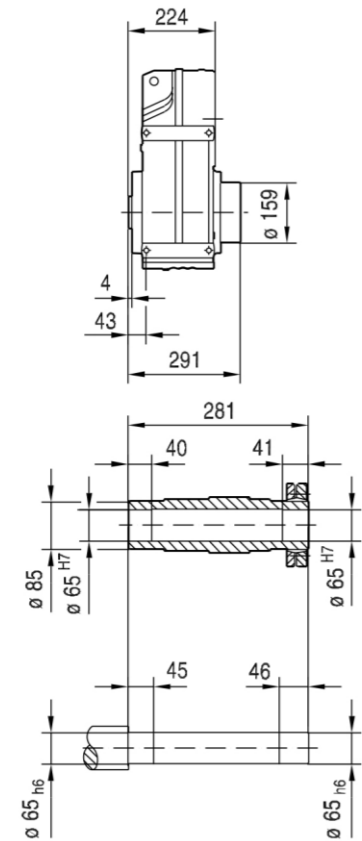
FF87..



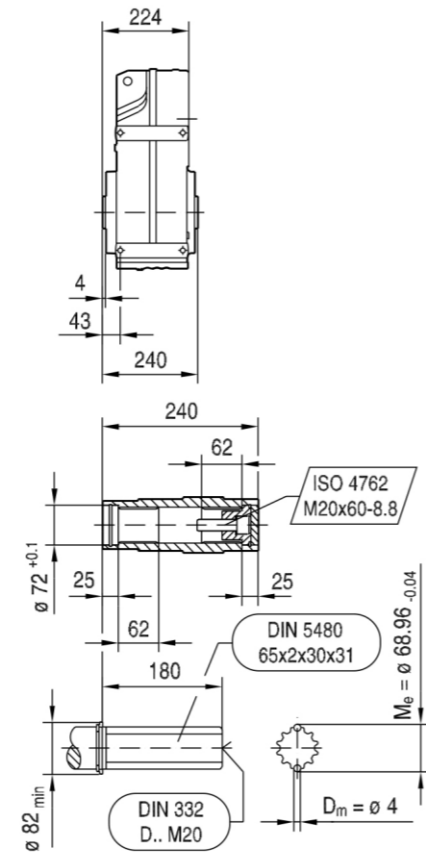
FAB87..



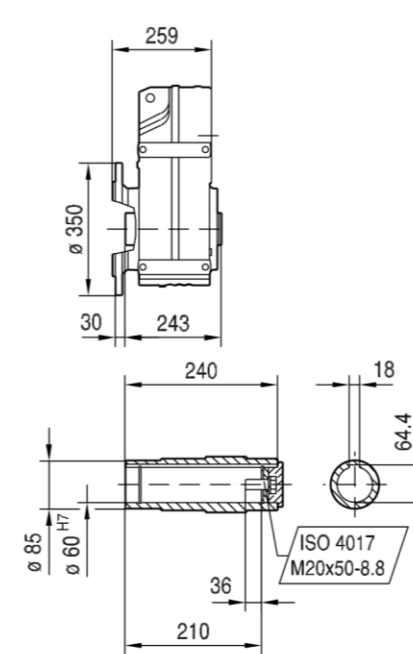
FHB87..



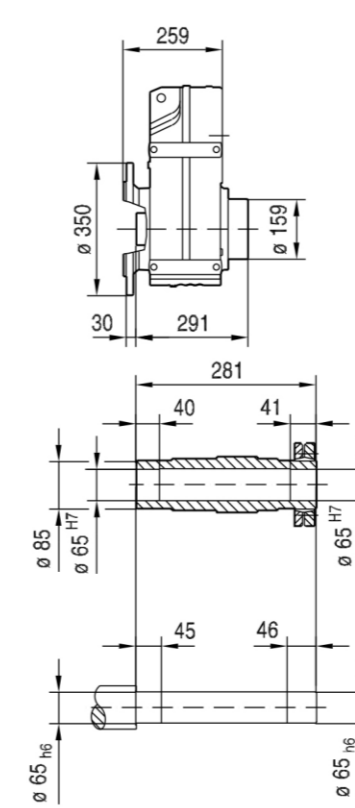
FVB87..



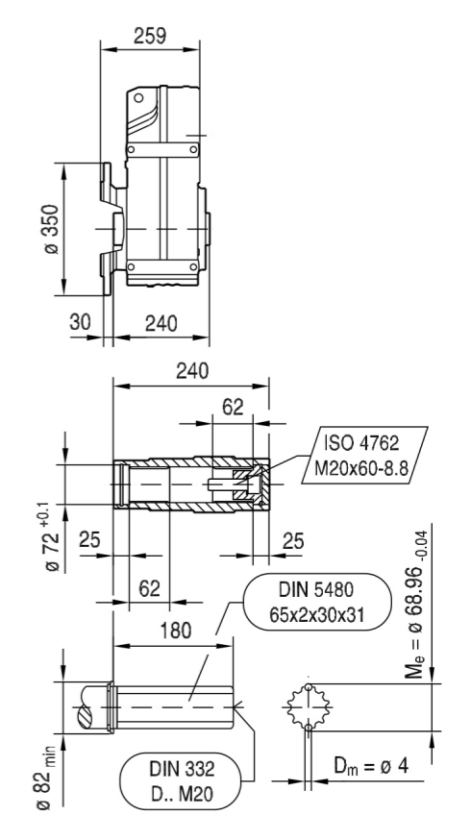
FAF87..



FHF87..



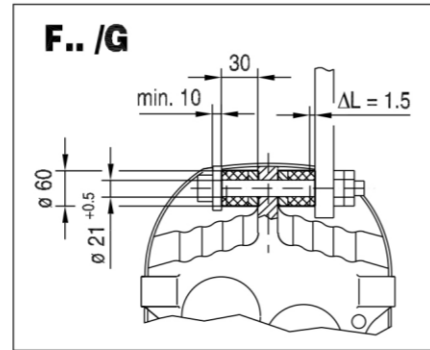
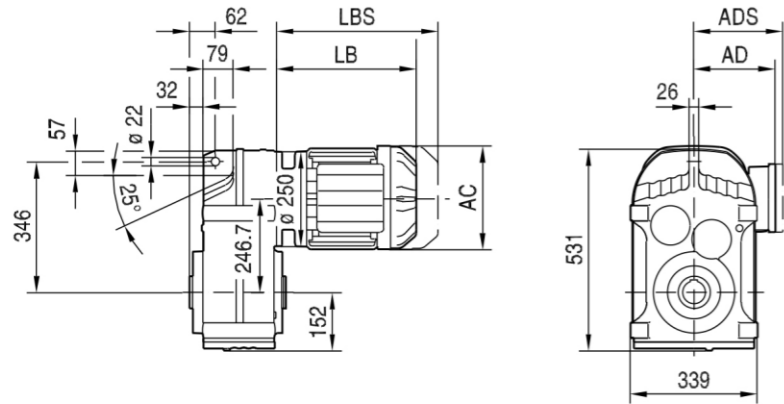
FVF87..



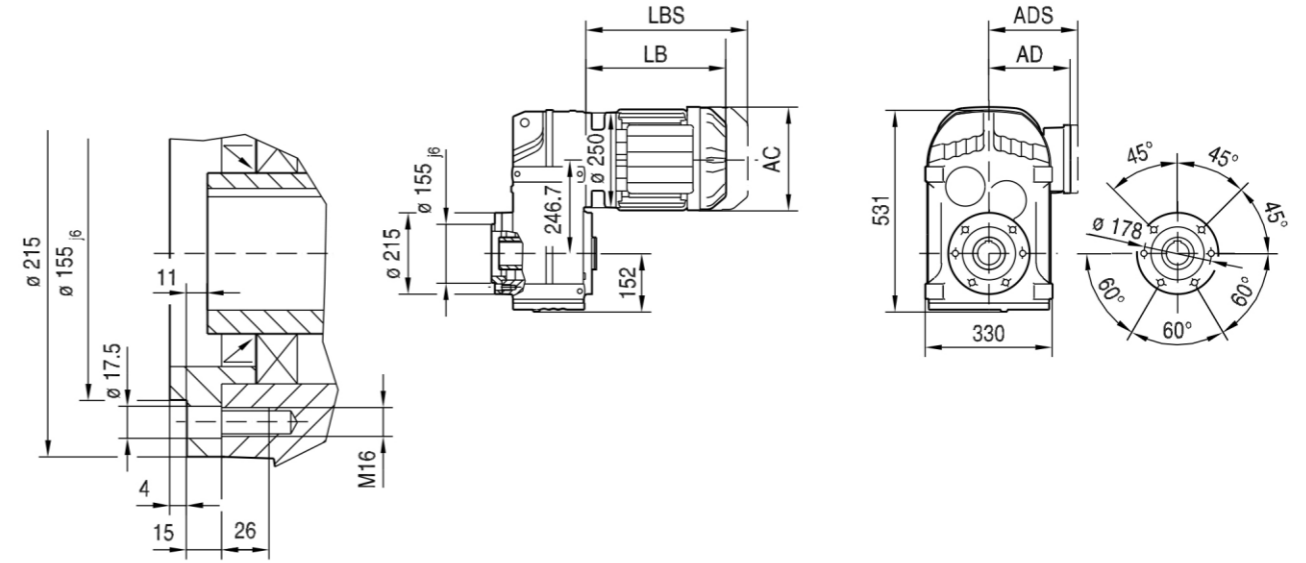
注： 1. LB、LBS、AC、AD、ADS尺寸详见附录A；
Note: 1. See appendix A for the size of LB&LBS&AC&AD&ADS;
2. 电机需方配或配特殊电机时需加联接法兰。（见附录B）
2. When equipping the user's motor or the special one, the flange is required to connected. (Please see appendix B)

注： 1. LB、LBS、AC、AD、ADS尺寸详见附录A；
Note: 1. See appendix A for the size of LB&LBS&AC&AD&ADS;
2. 电机需方配或配特殊电机时需加联接法兰。（见附录B）
2. When equipping the user's motor or the special one, the flange is required to connected. (Please see appendix B)

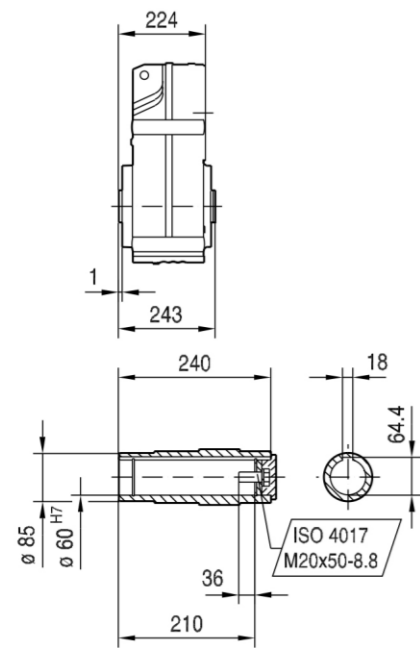
FA87..



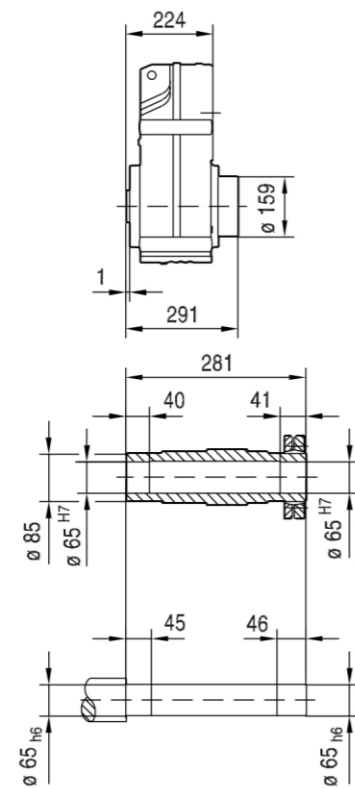
FAZ87..



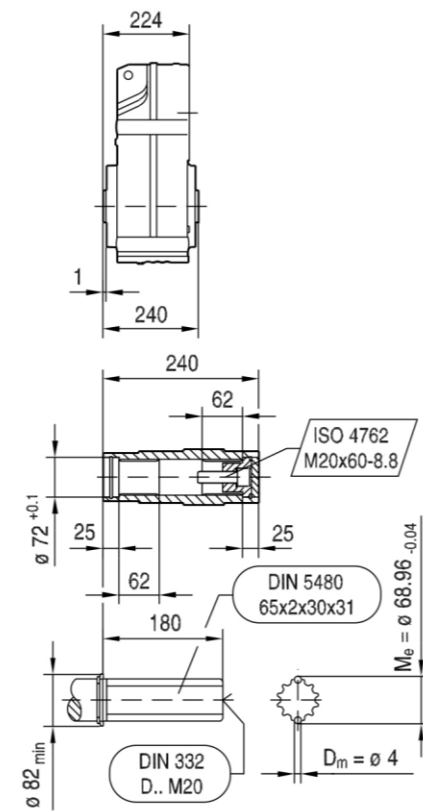
FA87..



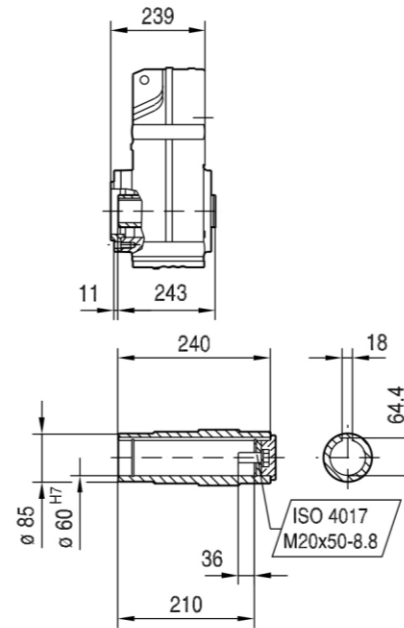
FH87..



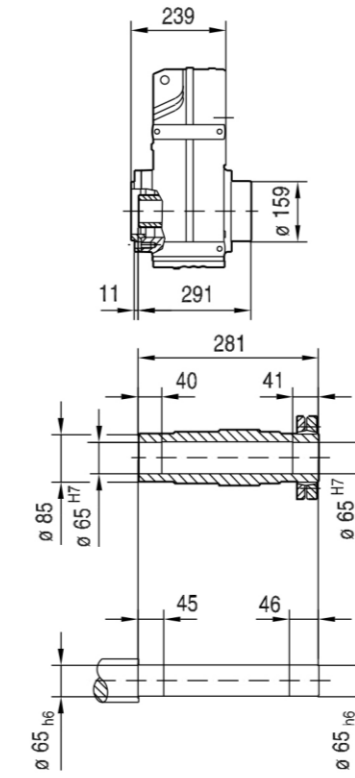
FV87..



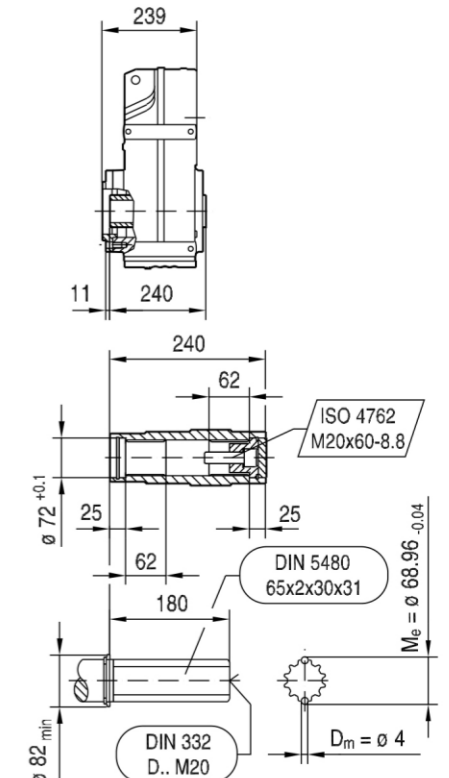
FAZ87..



FHZ87..



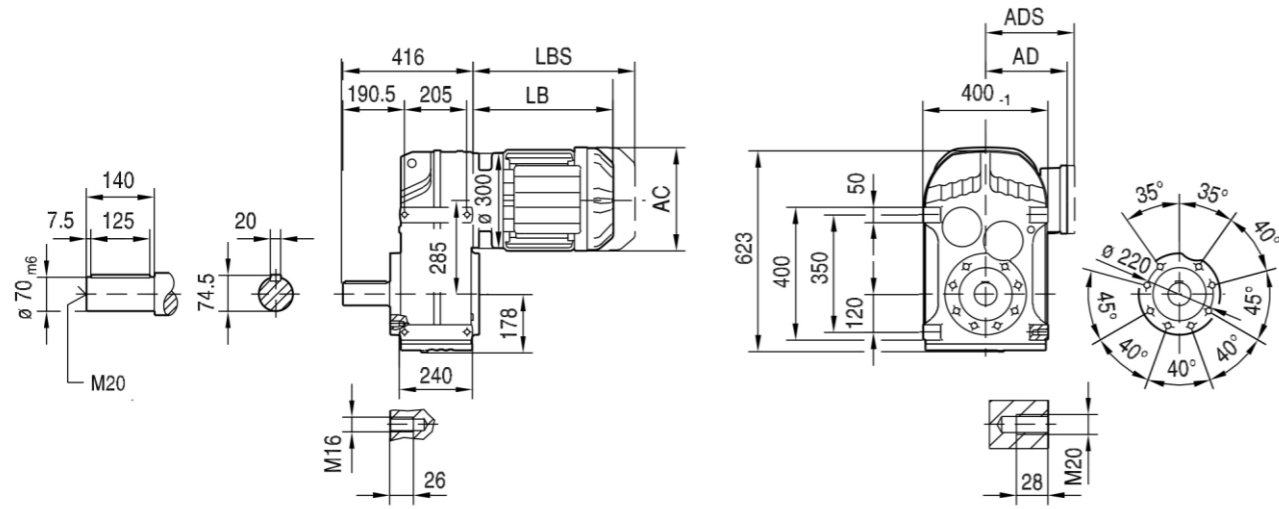
FVZ87..



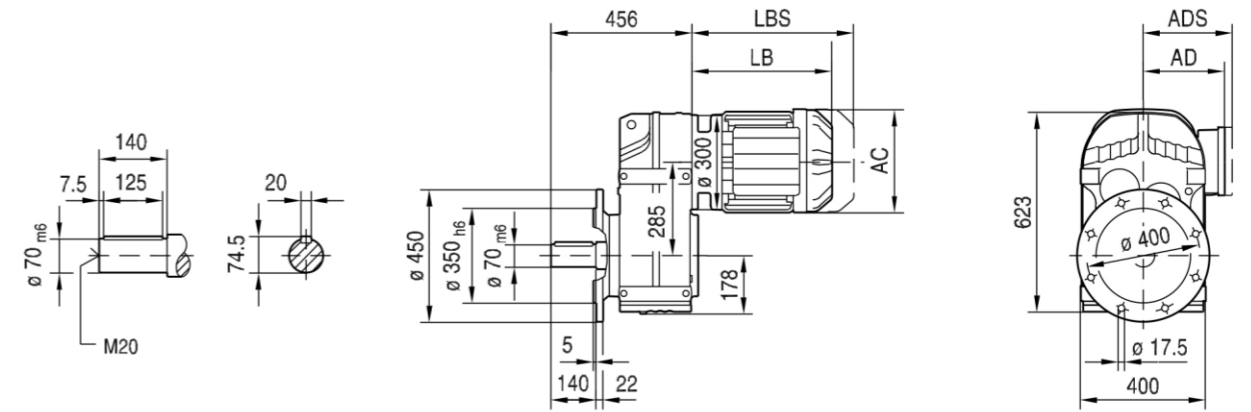
注: 1. LB、LBS、AC、AD、ADS尺寸详见附录A;
Note: 1. See appendix A for the size of LB&LBS&AC&AD&ADS;
2. 电机需方配或配特殊电机时需加联接法兰。(见附录B)
2. When equipping the user's motor or the special one, the flange is required to be connected. (Please see appendix B)

注: 1. LB、LBS、AC、AD、ADS尺寸详见附录A;
Note: 1. See appendix A for the size of LB&LBS&AC&AD&ADS;
2. 电机需方配或配特殊电机时需加联接法兰。(见附录B)
2. When equipping the user's motor or the special one, the flange is required to be connected. (Please see appendix B)

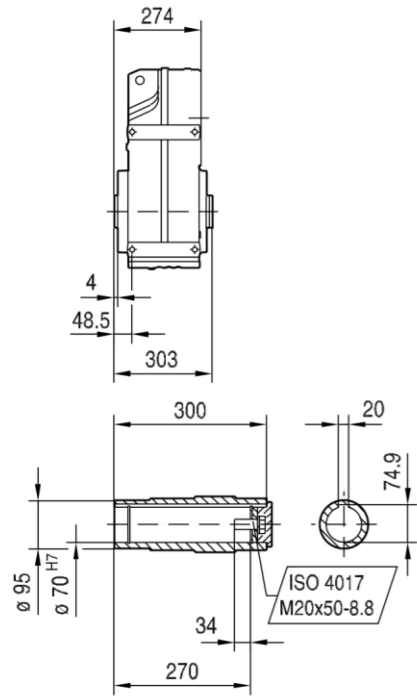
F97..



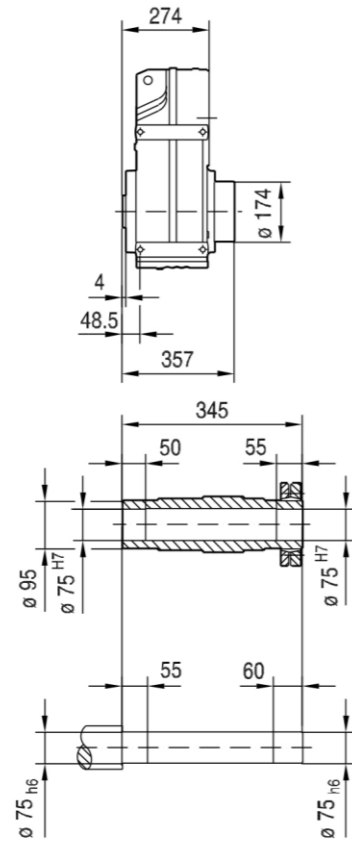
FF97..



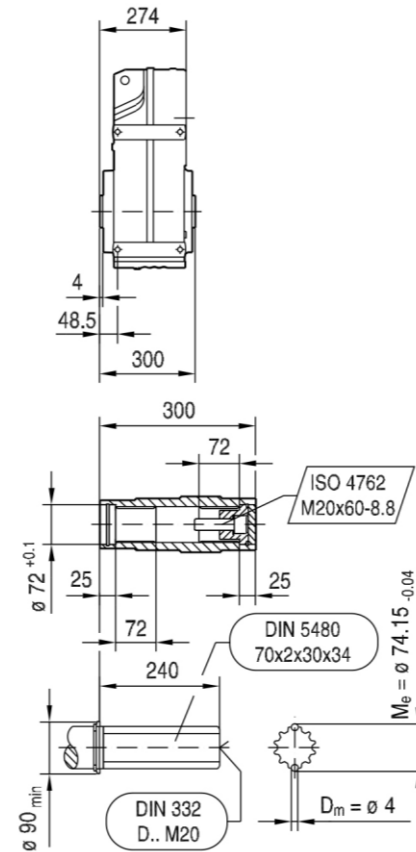
FAB97..



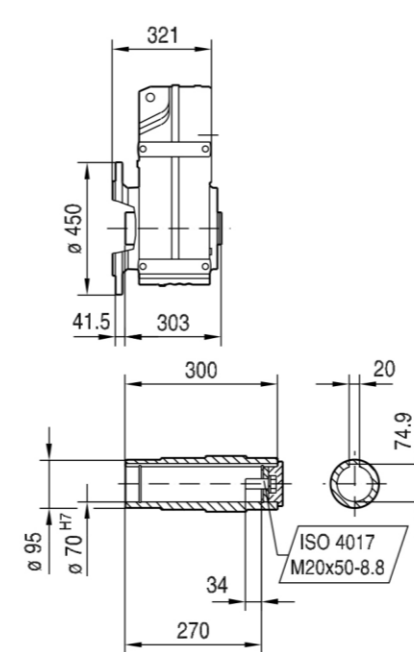
FHB97..



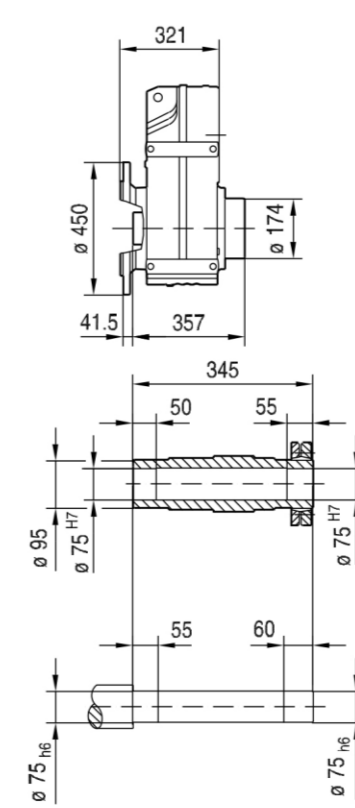
FVB97..



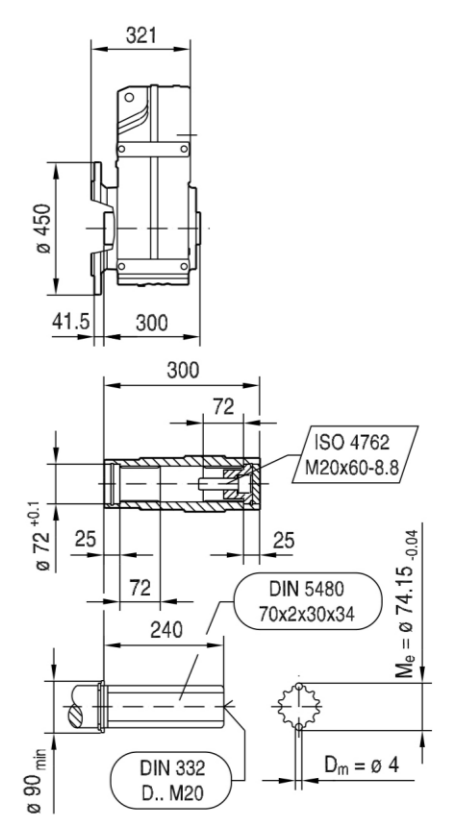
FAF97..



FHF97..



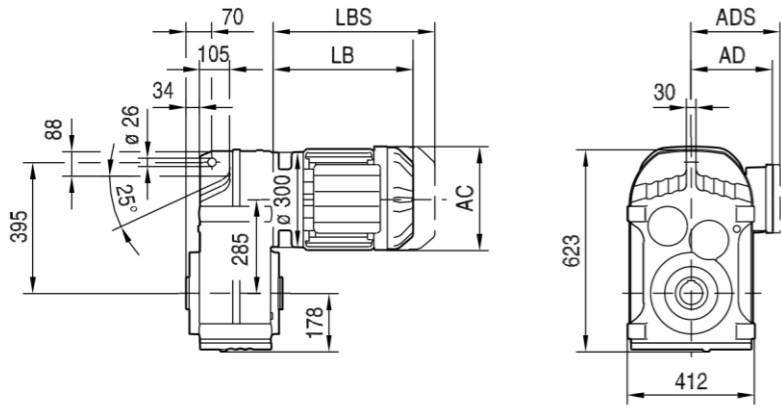
FVF97..



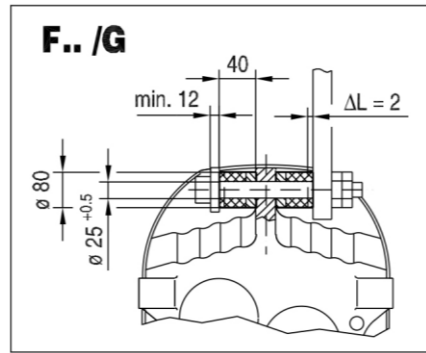
注： 1. LB、LBS、AC、AD、ADS尺寸详见附录A；
Note: 1. See appendix A for the size of LB&LBS&AC&AD&ADS;
2. 电机需方配或配特殊电机时需加联接法兰。(见附录B)
2. When equipping the user's motor or the special one, the flange is required to connected.(Please see appendix B)

注： 1. LB、LBS、AC、AD、ADS尺寸详见附录A；
Note: 1. See appendix A for the size of LB&LBS&AC&AD&ADS;
2. 电机需方配或配特殊电机时需加联接法兰。(见附录B)
2. When equipping the user's motor or the special one, the flange is required to connected.(Please see appendix B)

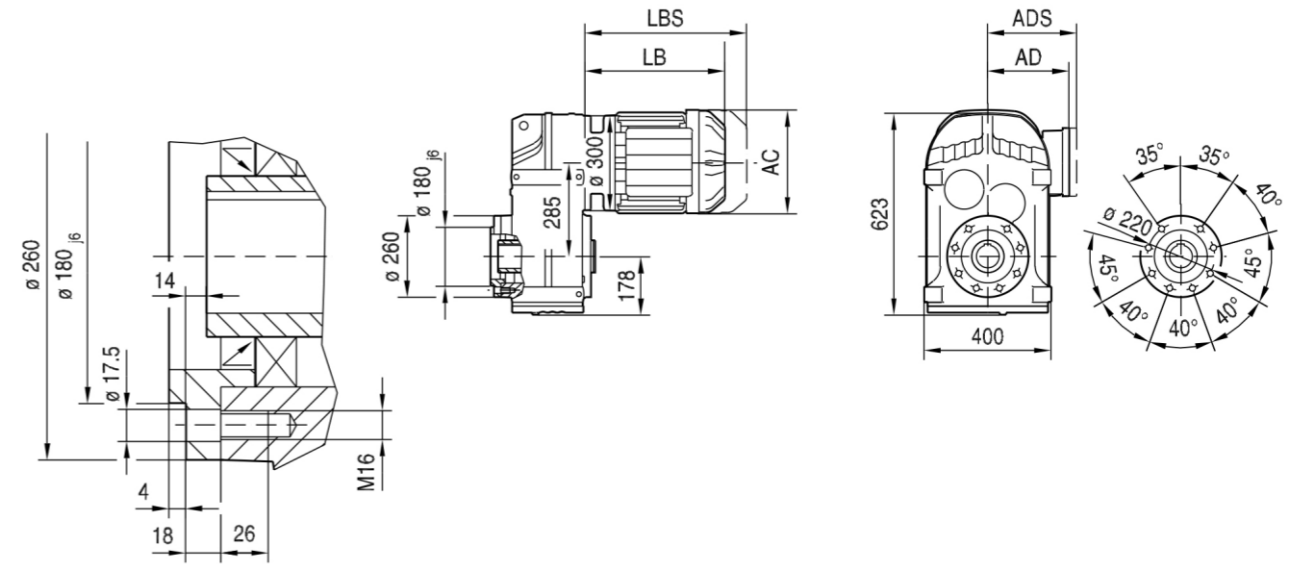
FA97..



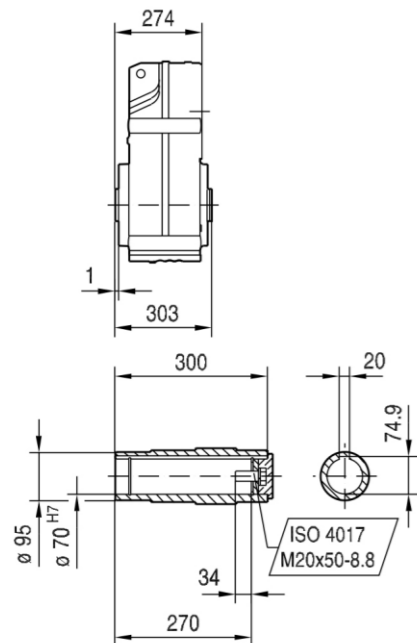
F.. /G



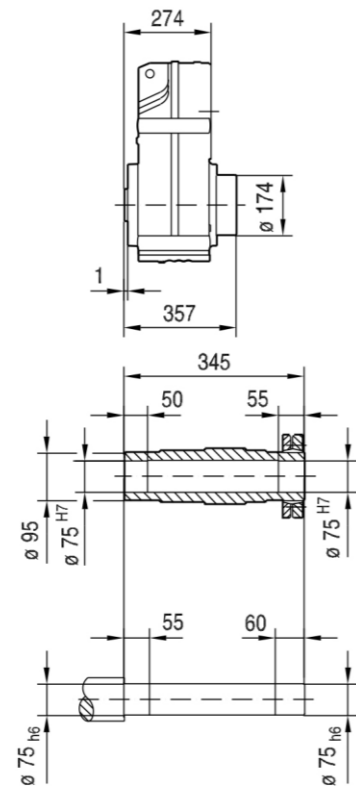
FAZ97..



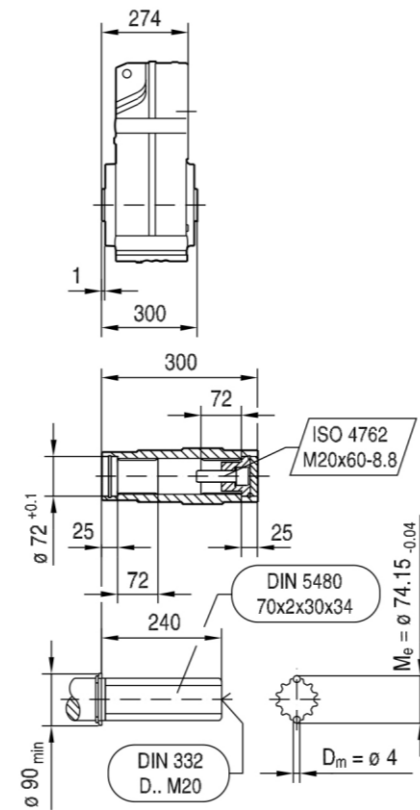
FA97..



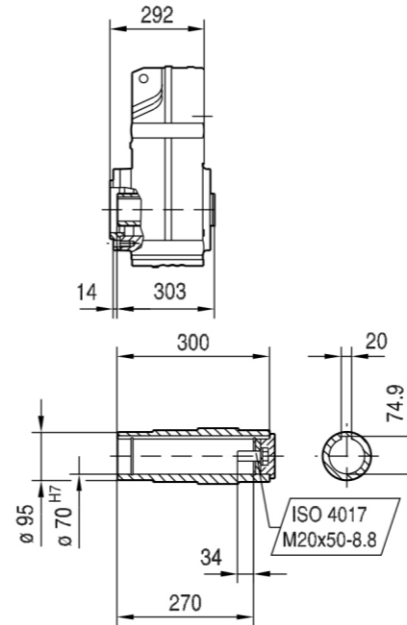
FH97..



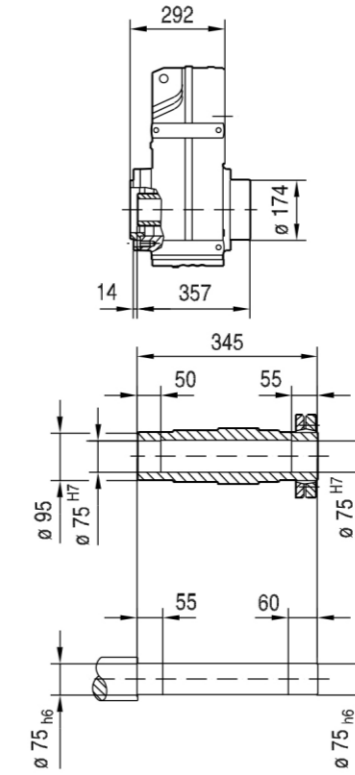
FV97..



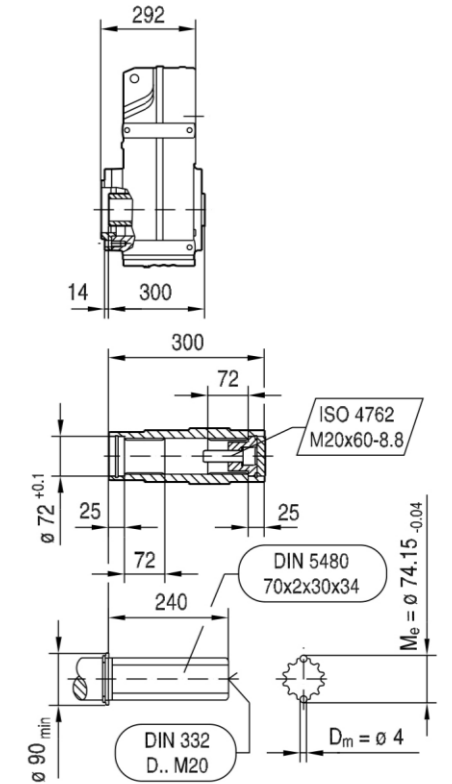
FAZ97..



FHZ97..



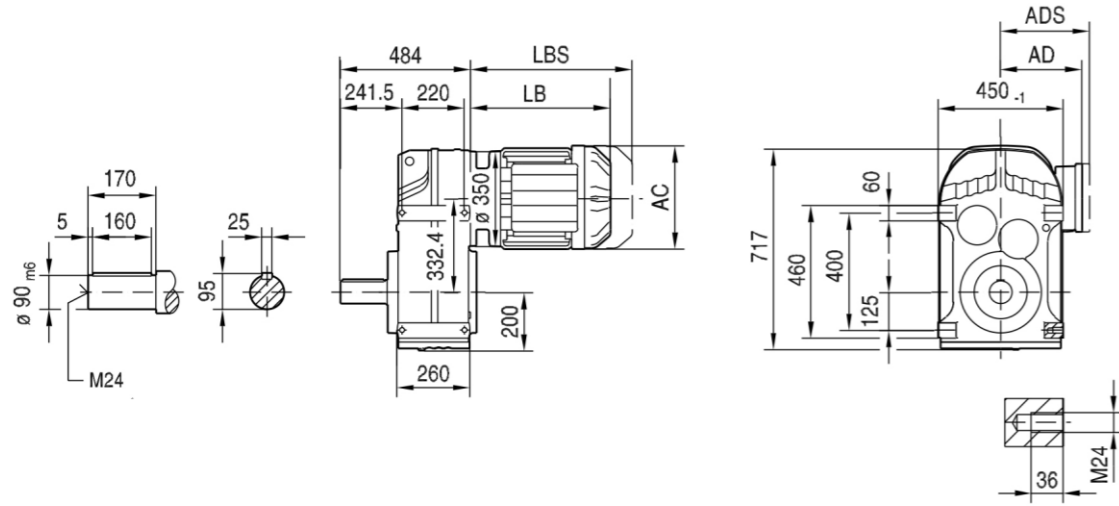
FVZ97..



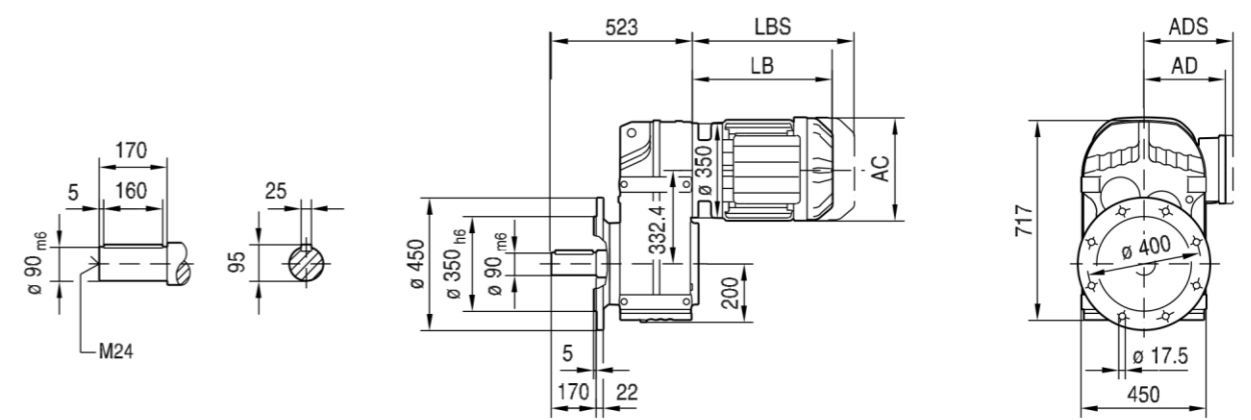
注: 1. LB、LBS、AC、AD、ADS尺寸详见附录A;
Note: 1. See appendix A for the size of LB&LBS&AC&AD&ADS;
2. 电机需方配或配特殊电机时需加联接法兰。(见附录B)
2. When equipping the user's motor or the special one, the flange is required to be connected. (Please see appendix B)

注: 1. LB、LBS、AC、AD、ADS尺寸详见附录A;
Note: 1. See appendix A for the size of LB&LBS&AC&AD&ADS;
2. 电机需方配或配特殊电机时需加联接法兰。(见附录B)
2. When equipping the user's motor or the special one, the flange is required to be connected. (Please see appendix B)

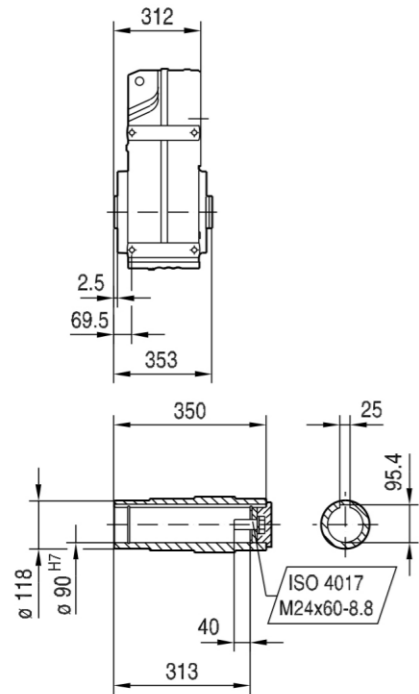
F107..



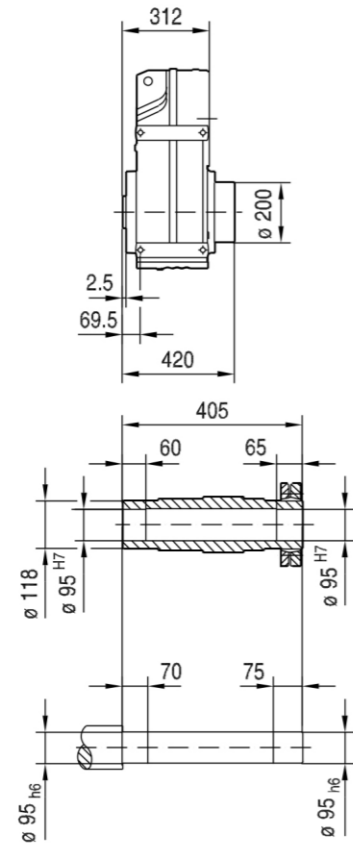
FF107..



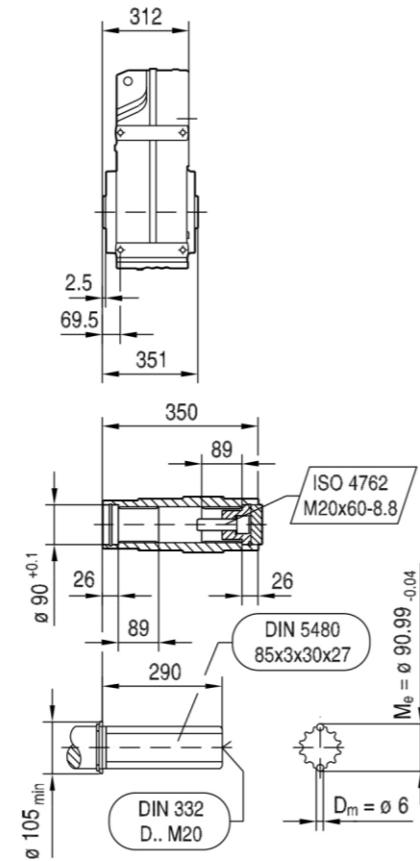
FAB107..



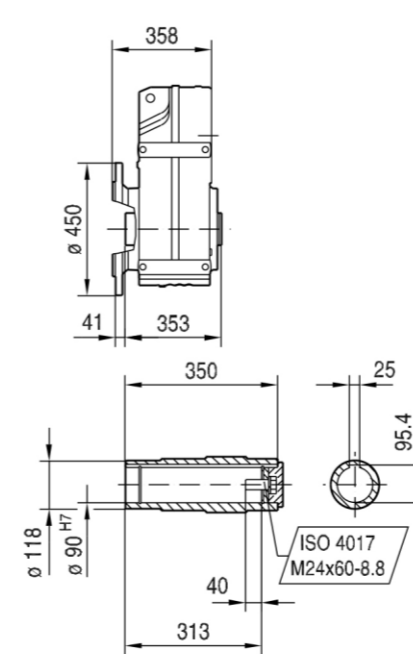
FHB107..



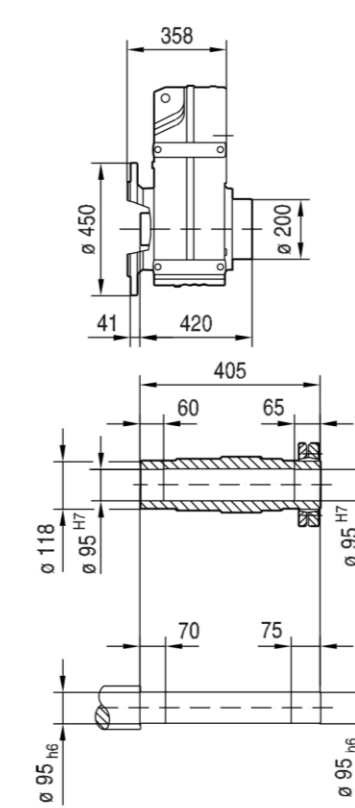
FVB107..



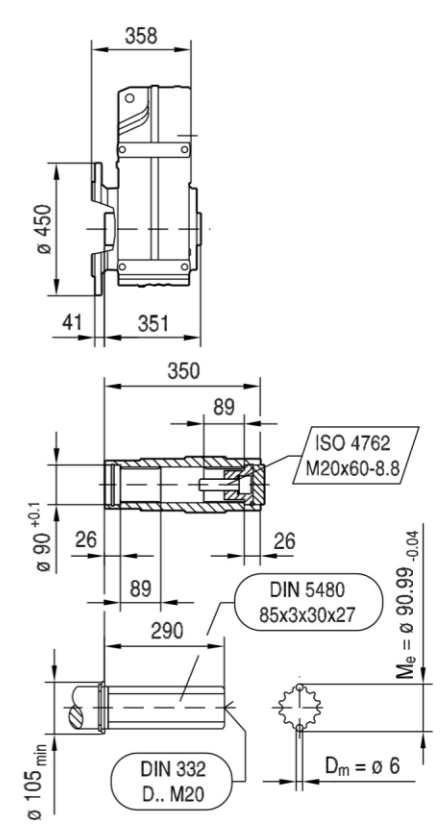
FAF107..



FHF107..



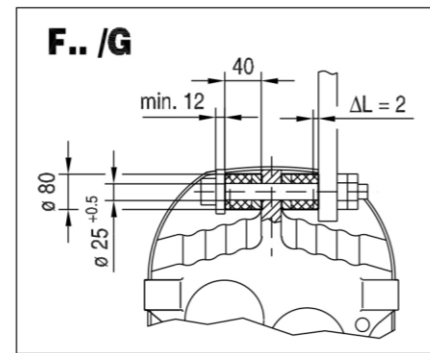
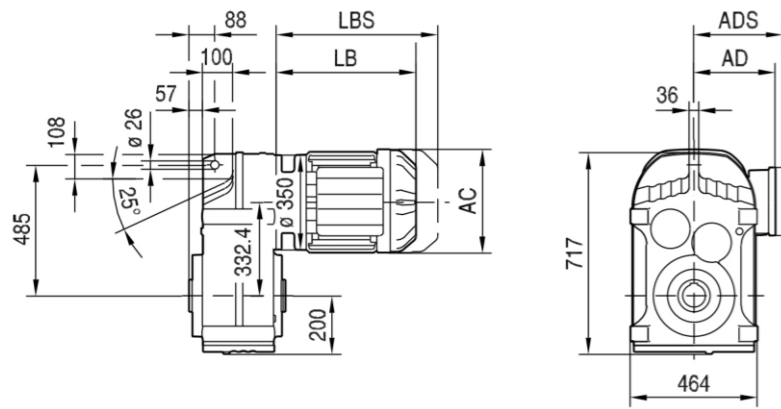
FVF107..



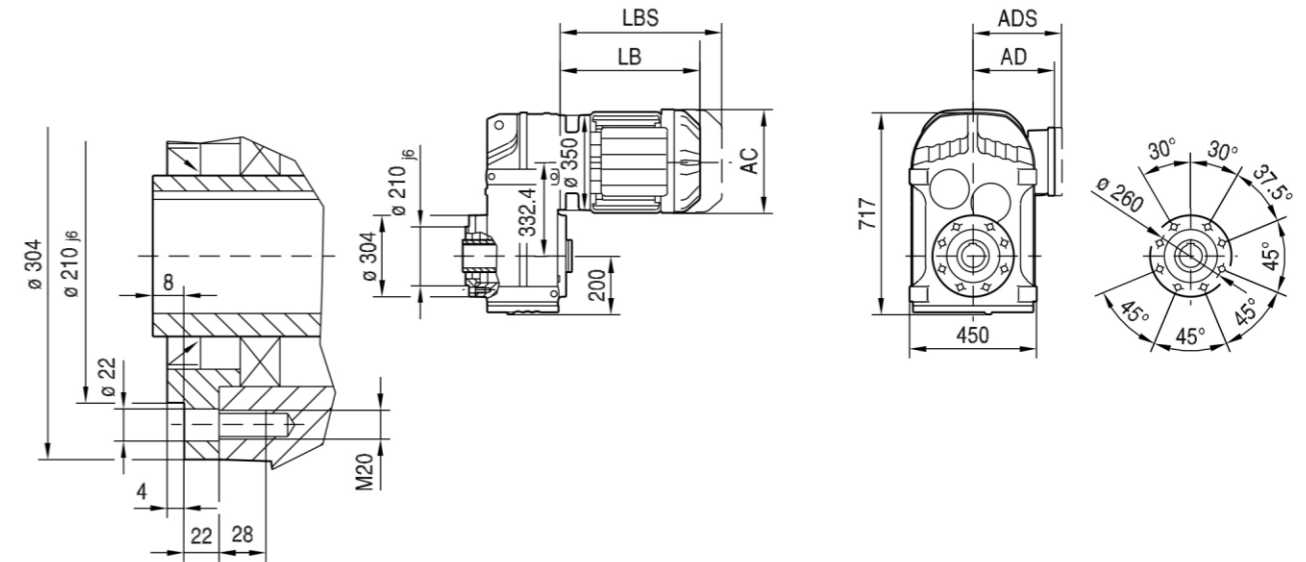
注: 1. LB、LBS、AC、AD、ADS尺寸详见附录A;
Note: 1. See appendix A for the size of LB&LBS&AC&AD&ADS;
2. 电机需方配或配特殊电机时需加联接法兰。(见附录B)
2. When equipping the user's motor or the special one, the flange is required to be connected. (Please see appendix B)

注: 1. LB、LBS、AC、AD、ADS尺寸详见附录A;
Note: 1. See appendix A for the size of LB&LBS&AC&AD&ADS;
2. 电机需方配或配特殊电机时需加联接法兰。(见附录B)
2. When equipping the user's motor or the special one, the flange is required to be connected. (Please see appendix B)

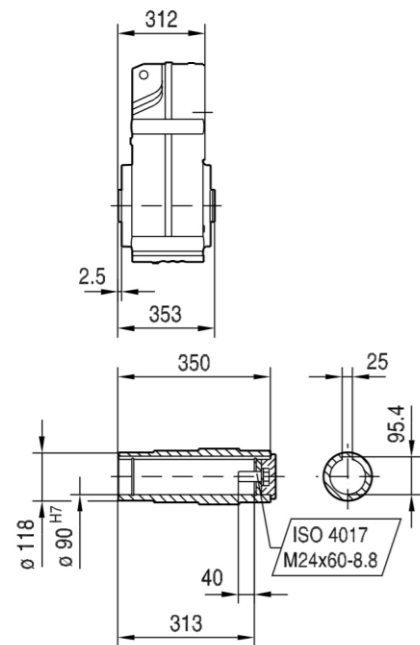
FA107..



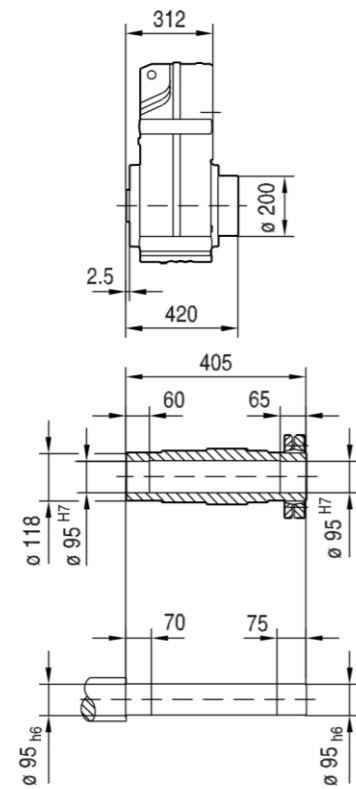
FAZ107..



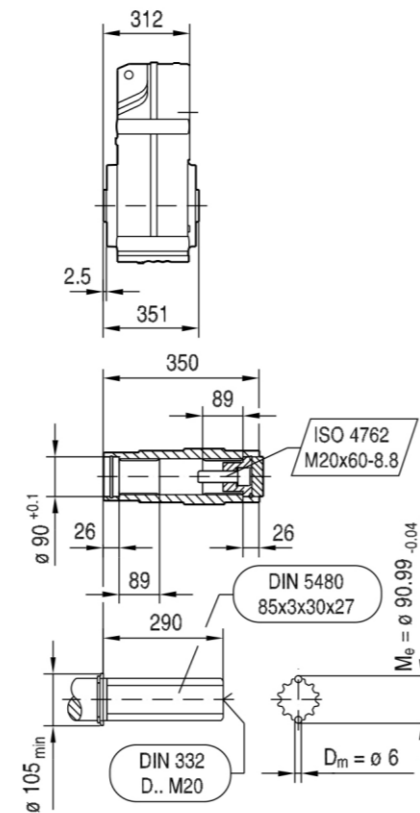
FA107..



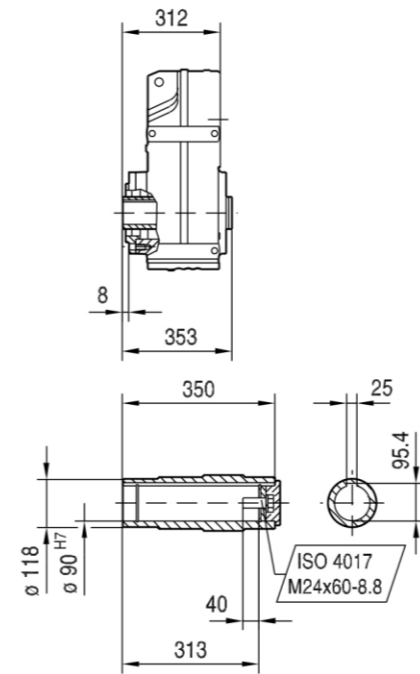
FH107..



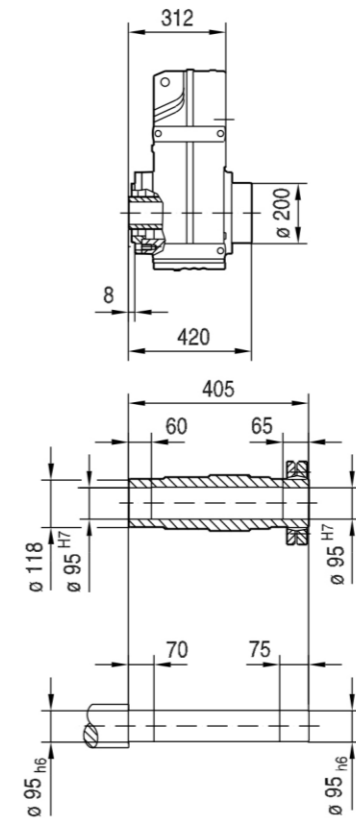
FV107..



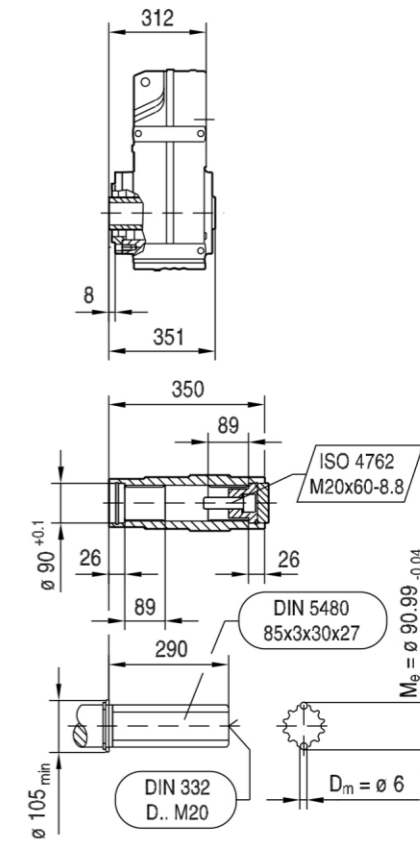
FAZ107..



FHZ107..



FVZ107..

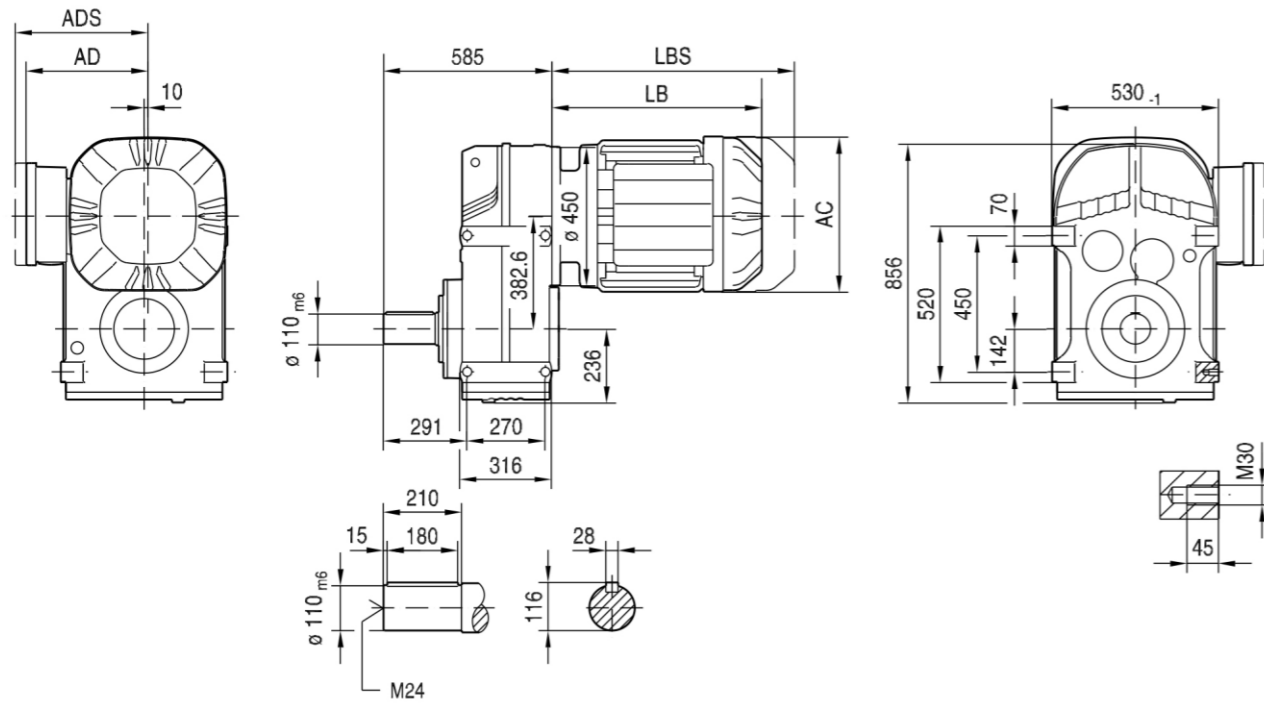


注: 1. LB、LBS、AC、AD、ADS尺寸详见附录A;
Note: 1. See appendix A for the size of LB&LBS&AC&AD&ADS;
2. 电机需方配或配特殊电机时需加联接法兰。(见附录B)
2. When equipping the user's motor or the special one, the flange is required to be connected. (Please see appendix B)

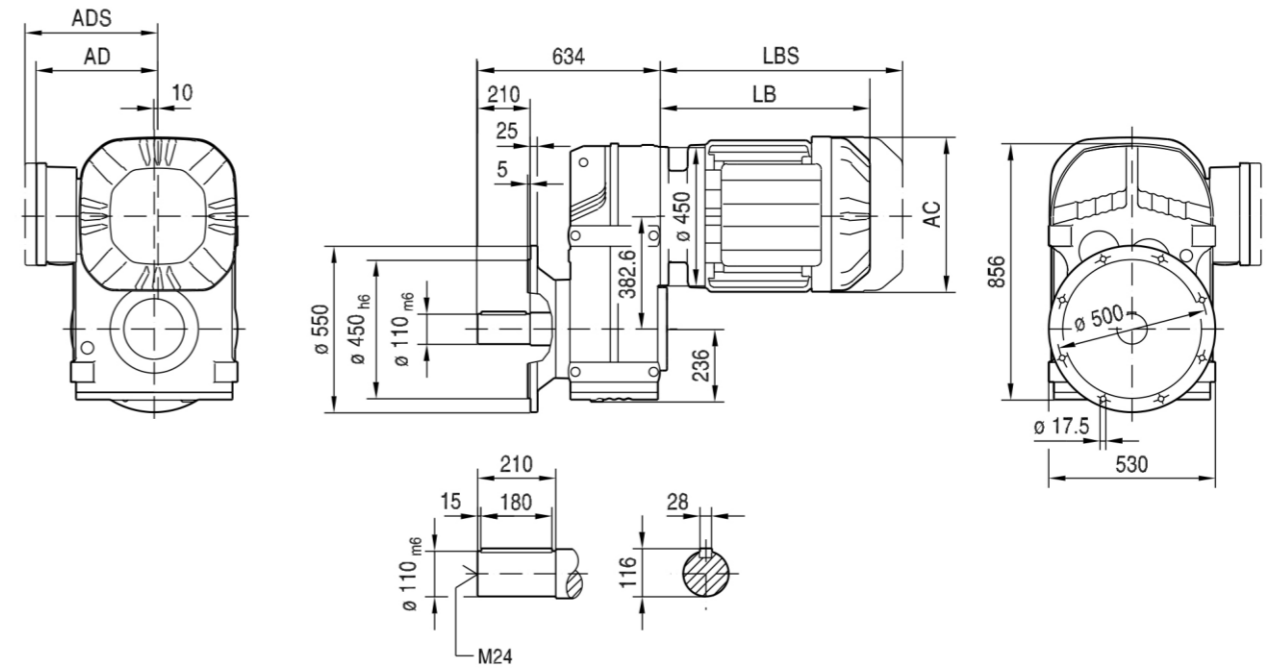
注: 1. LB、LBS、AC、AD、ADS尺寸详见附录A;
Note: 1. See appendix A for the size of LB&LBS&AC&AD&ADS;
2. 电机需方配或配特殊电机时需加联接法兰。(见附录B)
2. When equipping the user's motor or the special one, the flange is required to be connected. (Please see appendix B)



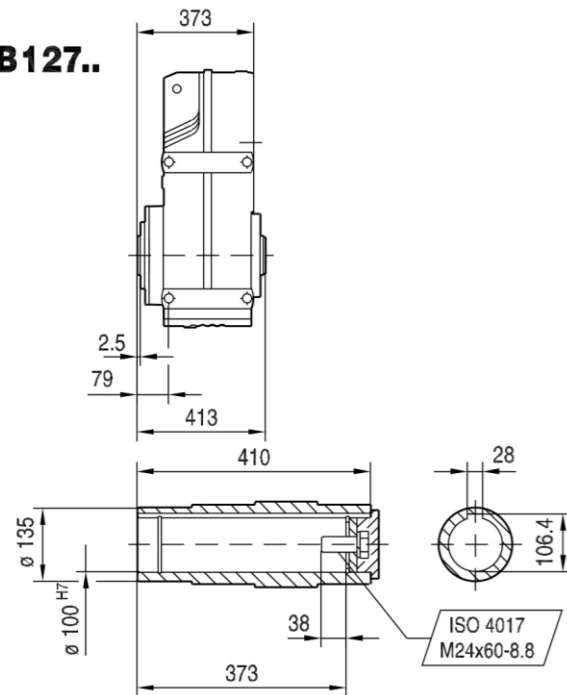
F127..



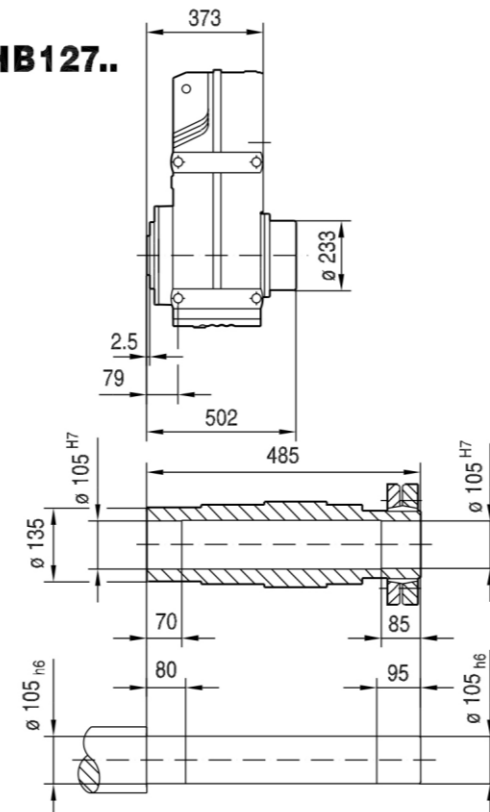
FF127..



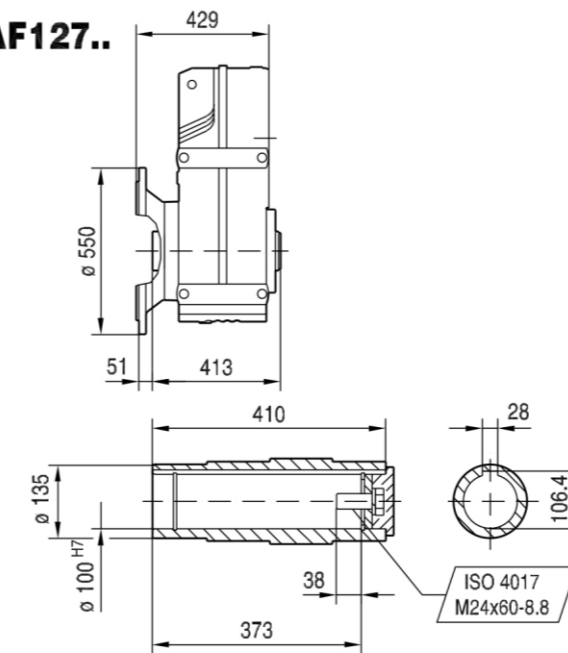
FAB127..



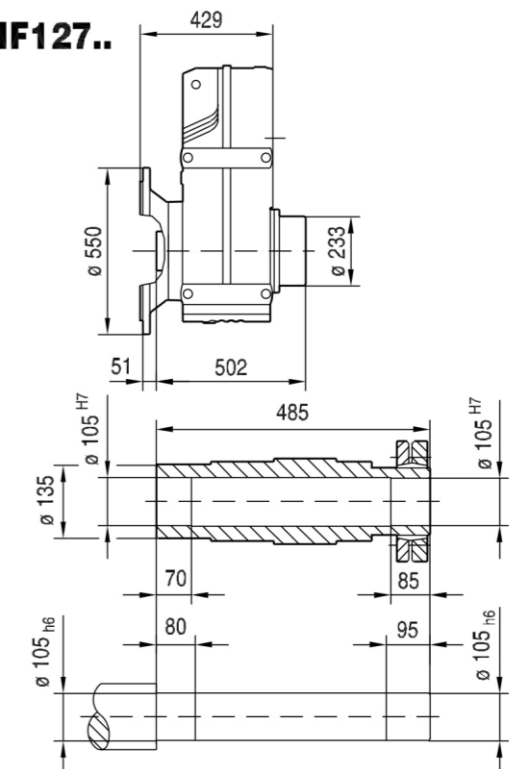
FHB127..



FAF127..



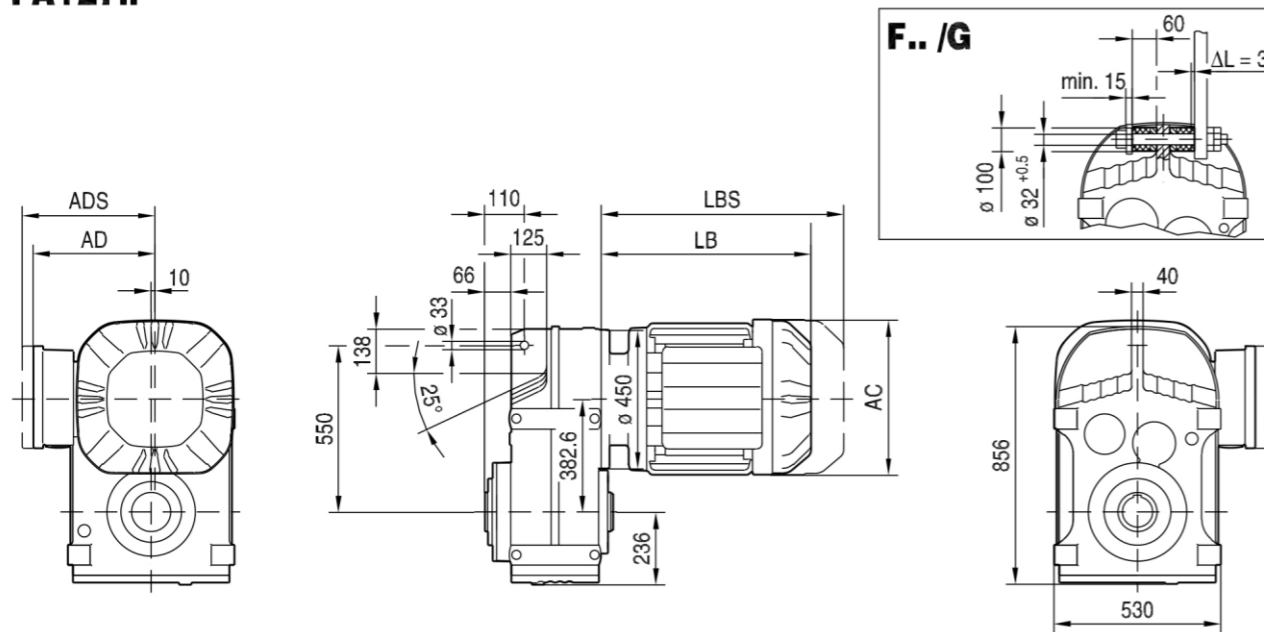
FHF127..



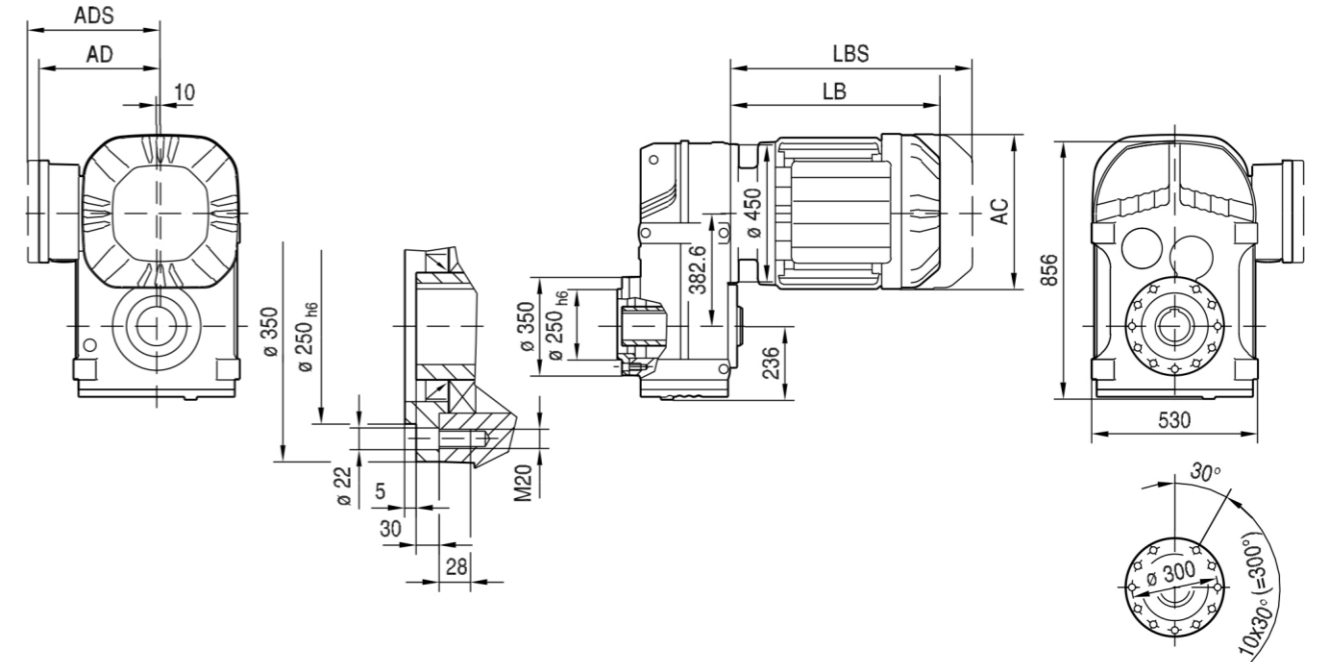
注： 1. LB、LBS、AC、AD、ADS尺寸详见附录A；
Note: 1. See appendix A for the size of LB&LBS&AC&AD&ADS;
2. 电机需方配或配特殊电机时需加联接法兰。(见附录B)
2. When equipping the user's motor or the special one, the flange is required to be connected. (Please see appendix B)

注： 1. LB、LBS、AC、AD、ADS尺寸详见附录A；
Note: 1. See appendix A for the size of LB&LBS&AC&AD&ADS;
2. 电机需方配或配特殊电机时需加联接法兰。(见附录B)
2. When equipping the user's motor or the special one, the flange is required to be connected. (Please see appendix B)

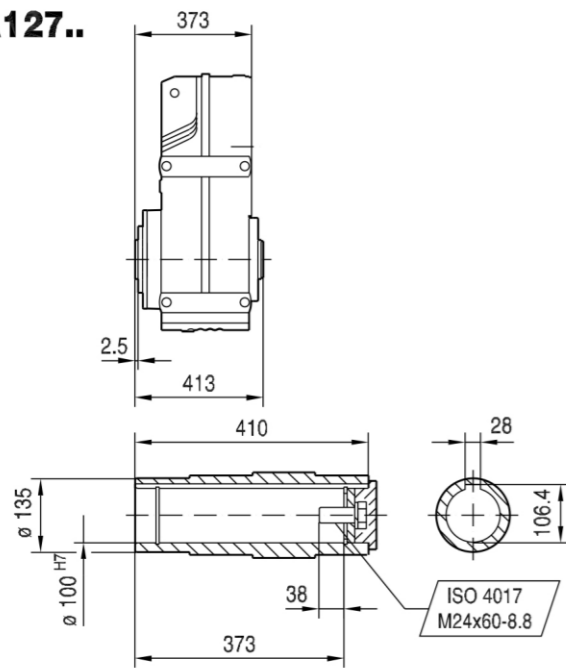
FA127..



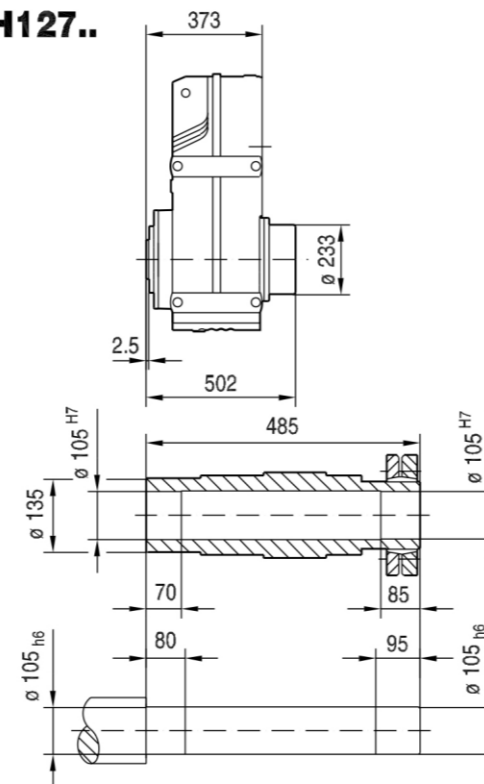
FAZ127..



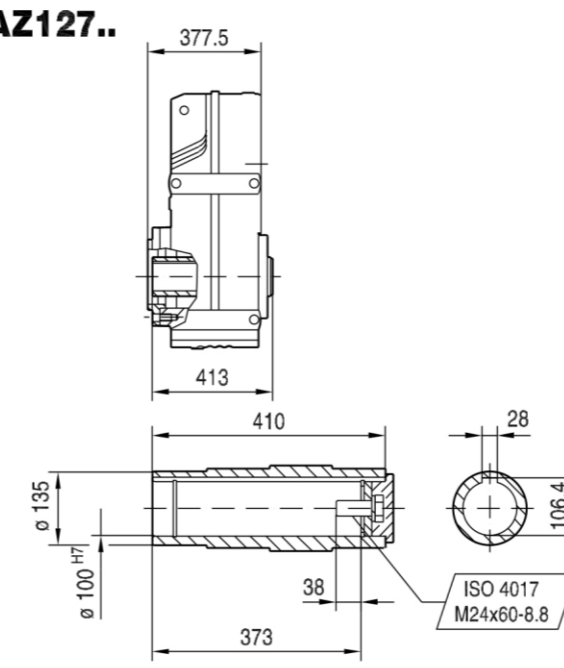
FA127..



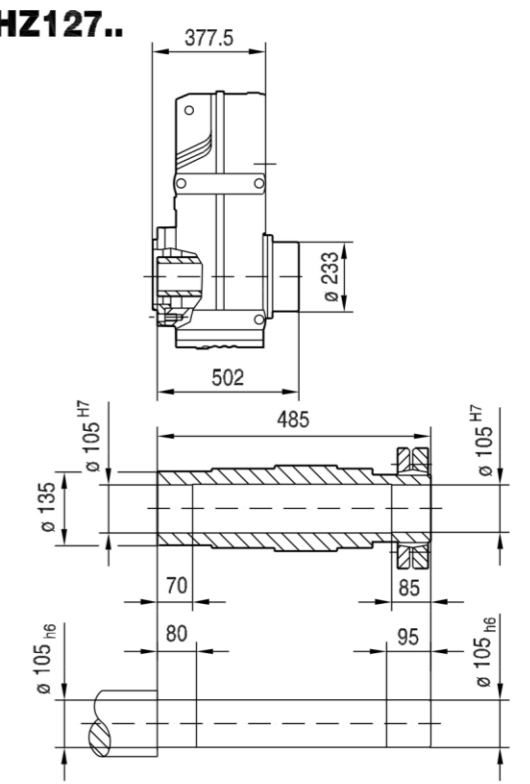
FH127..



FAZ127..



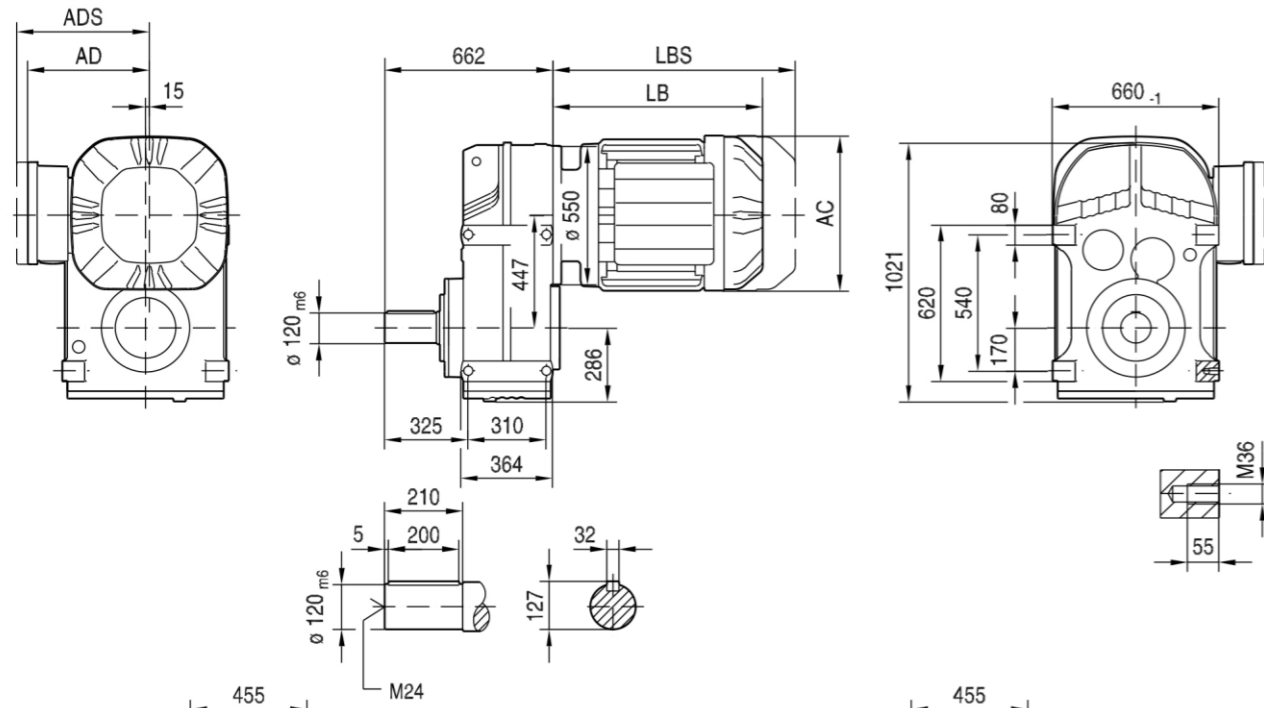
FHZ127..



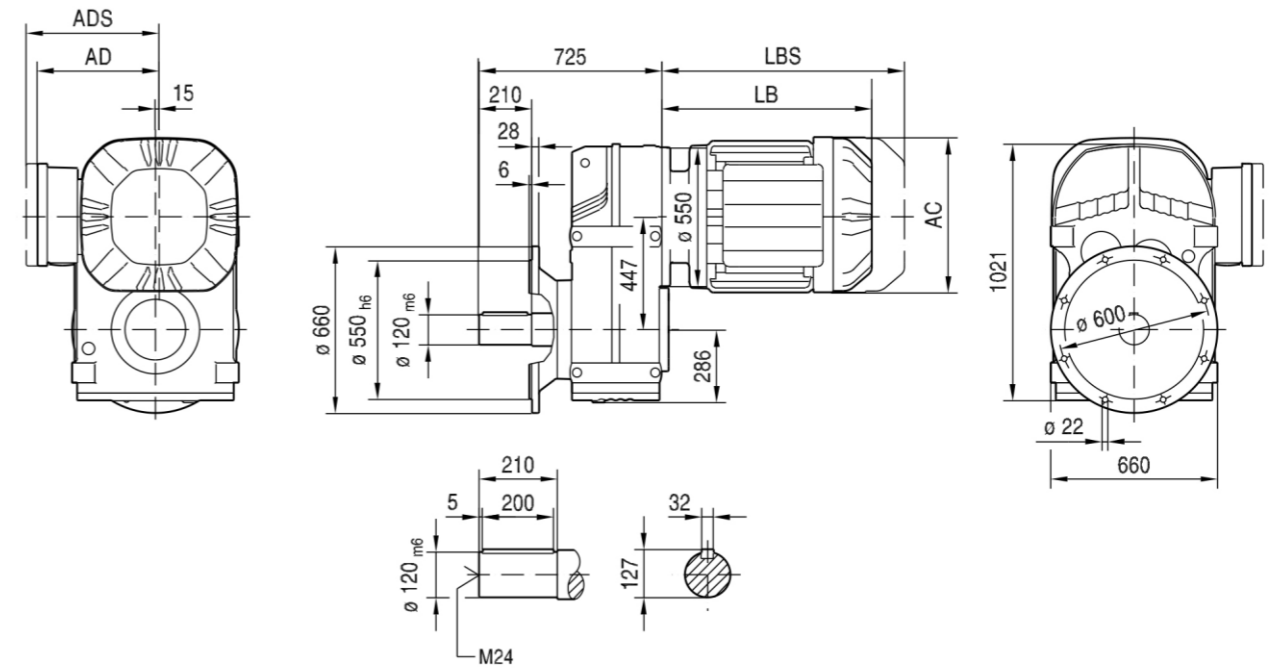
注: 1. LB、LBS、AC、AD、ADS尺寸详见附录A;
Note: 1. See appendix A for the size of LB&LBS&AC&AD&ADS;
2. 电机需方配或配特殊电机时需加联接法兰。(见附录B)
2. When equipping the user's motor or the special one, the flange is required to connected. (Please see appendix B)

注: 1. LB、LBS、AC、AD、ADS尺寸详见附录A;
Note: 1. See appendix A for the size of LB&LBS&AC&AD&ADS;
2. 电机需方配或配特殊电机时需加联接法兰。(见附录B)
2. When equipping the user's motor or the special one, the flange is required to connected. (Please see appendix B)

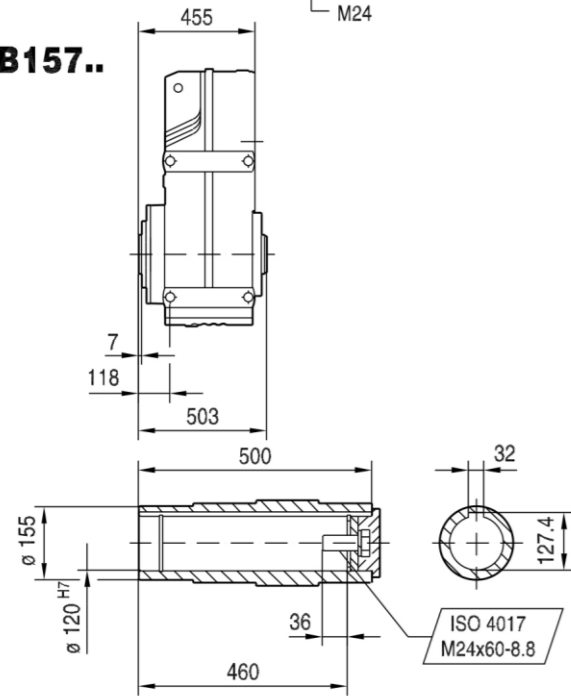
F157..



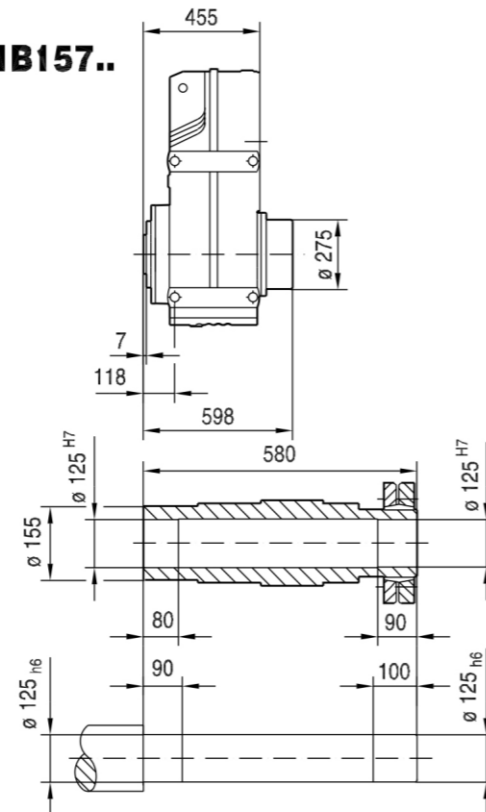
FF157..



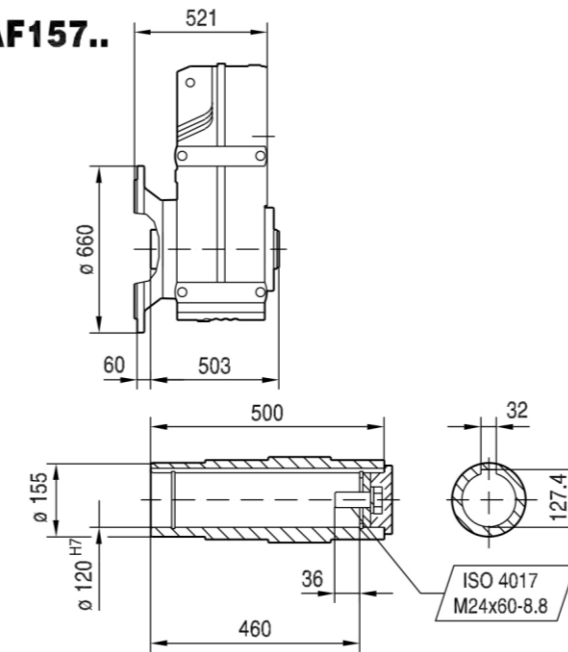
FAB157..



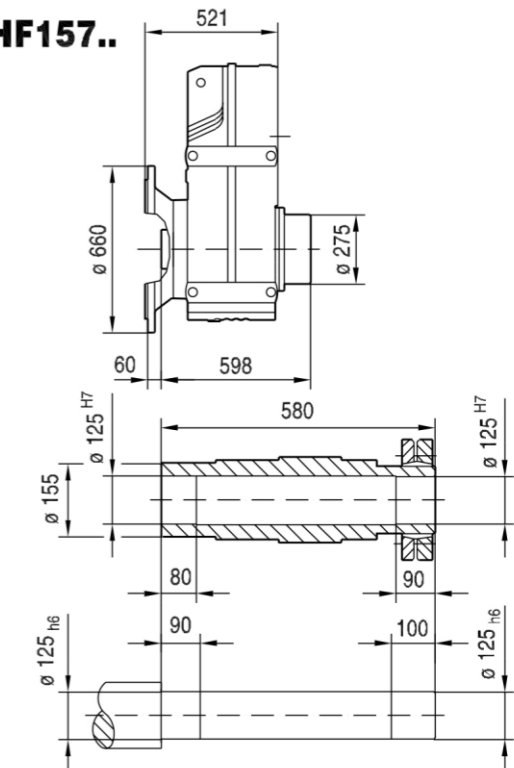
FHB157..



FAF157..



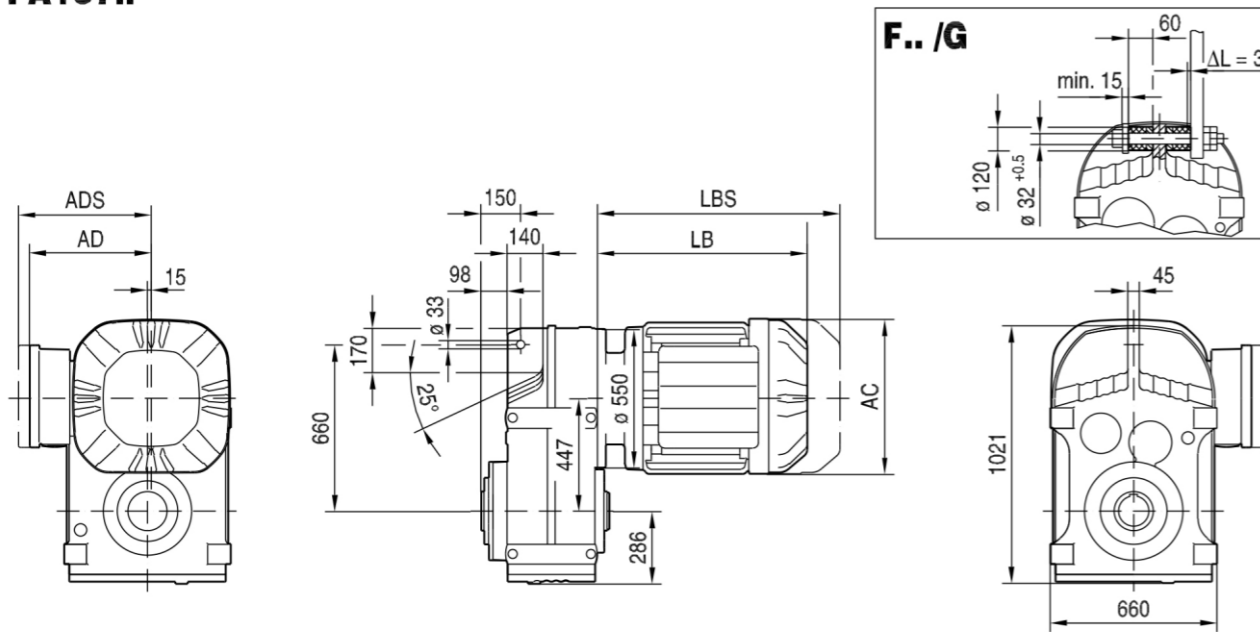
FHF157..



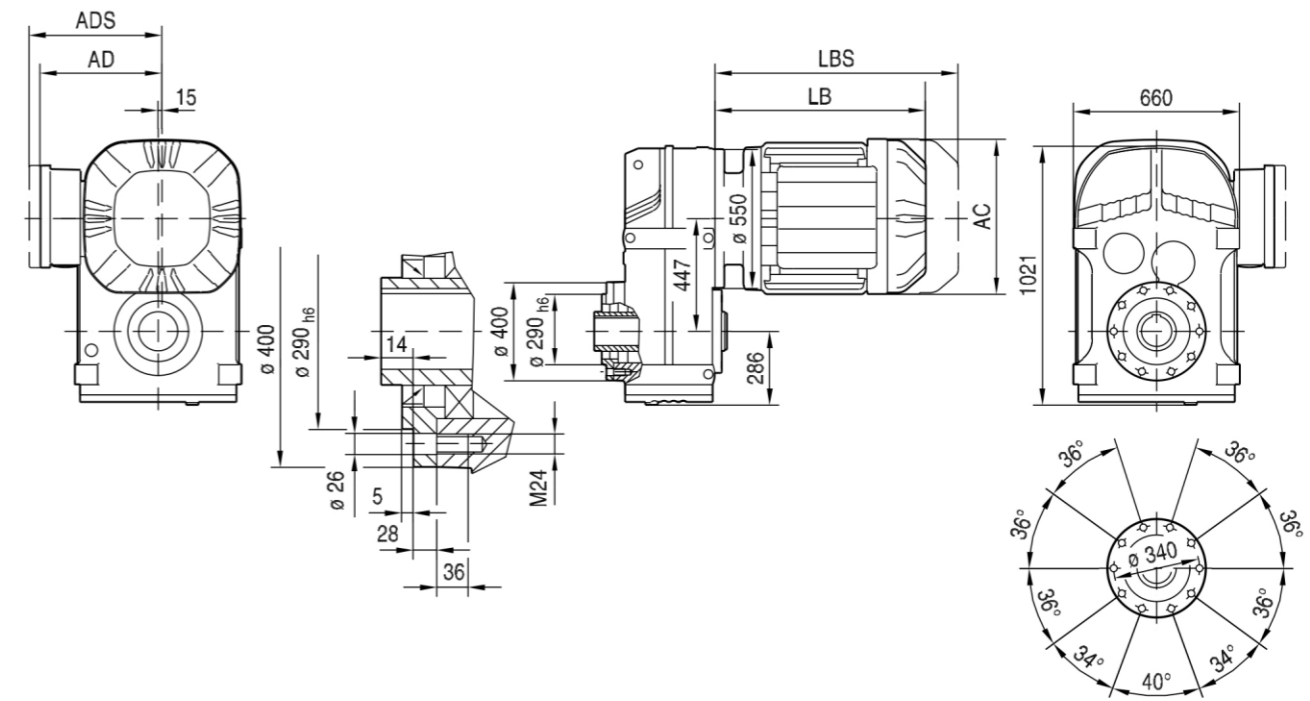
注: 1. LB、LBS、AC、AD、ADS尺寸详见附录A;
Note: 1. See appendix A for the size of LB&LBS&AC&AD&ADS;
2. 电机需方配或配特殊电机时需加联接法兰。(见附录B)
2. When equipping the user's motor or the special one, the flange is required to be connected. (Please see appendix B)

注: 1. LB、LBS、AC、AD、ADS尺寸详见附录A;
Note: 1. See appendix A for the size of LB&LBS&AC&AD&ADS;
2. 电机需方配或配特殊电机时需加联接法兰。(见附录B)
2. When equipping the user's motor or the special one, the flange is required to be connected. (Please see appendix B)

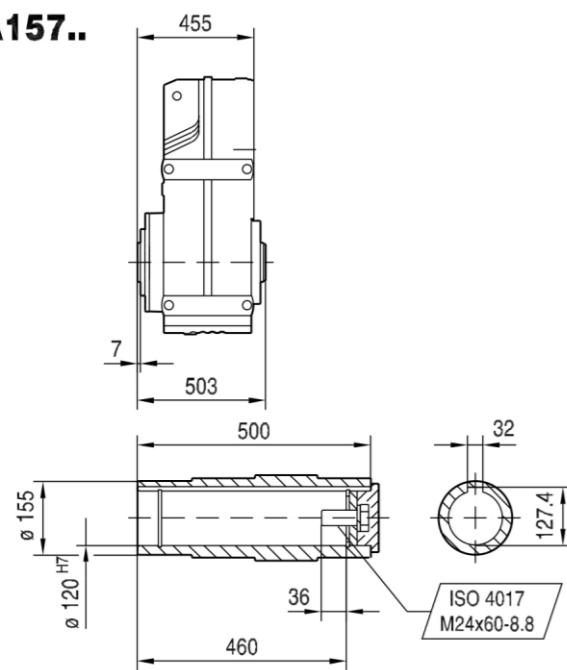
FA157..



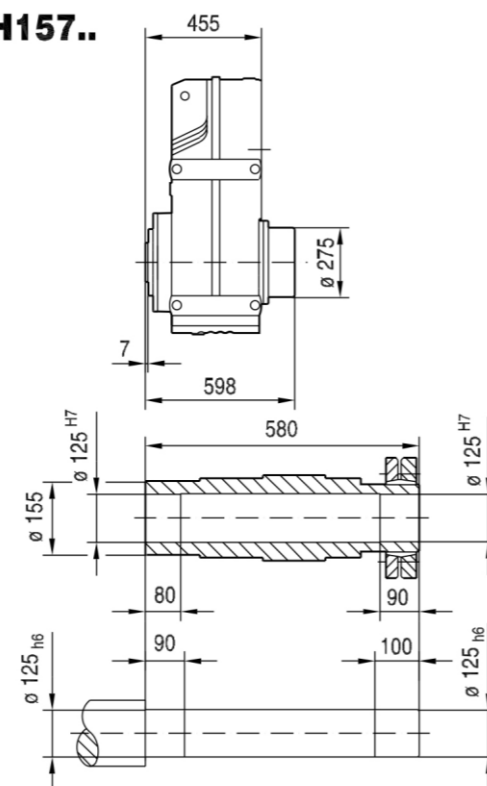
FAZ157..



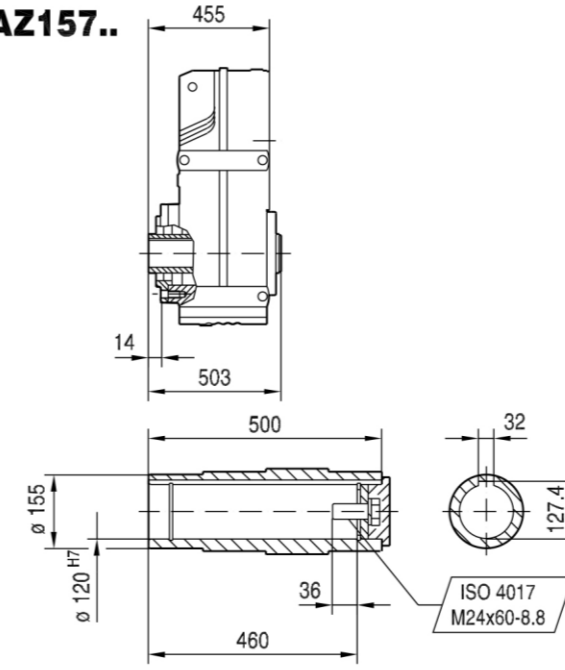
FA157..



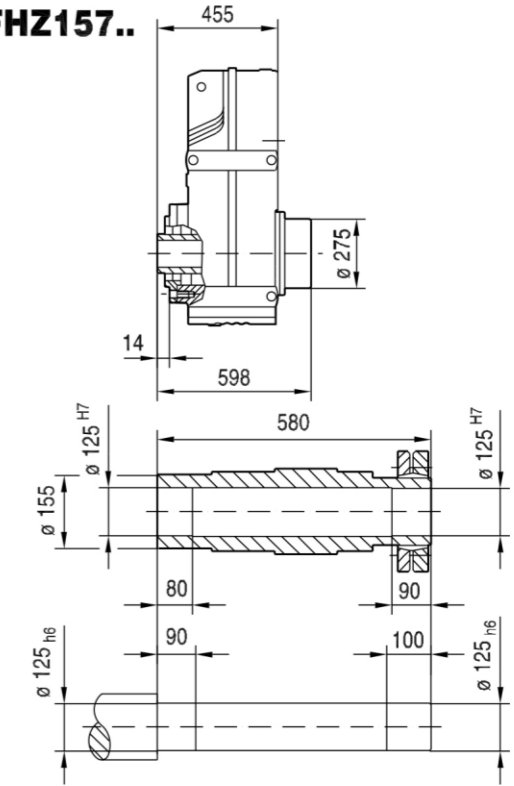
FH157..



FAZ157..



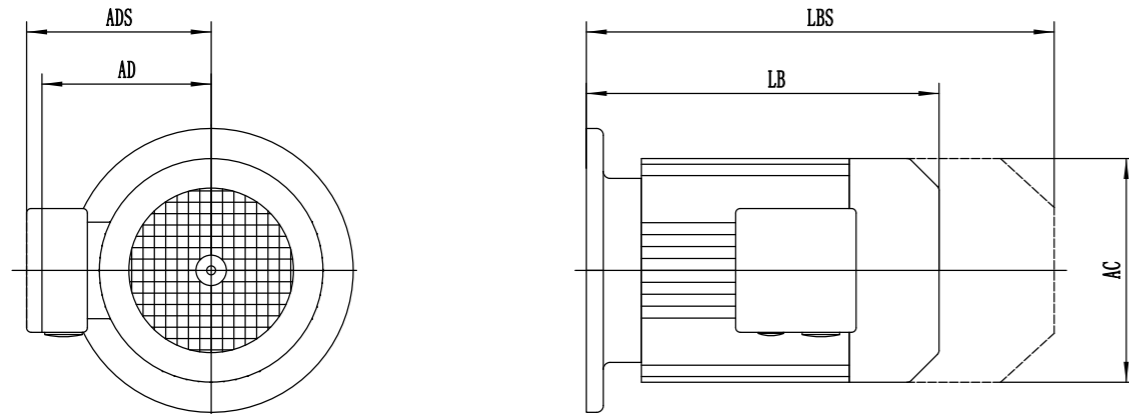
FHZ157..



注: 1. LB、LBS、AC、AD、ADS尺寸详见附录A;
Note: 1. See appendix A for the size of LB&LBS&AC&AD&ADS;
2. 电机需方配或配特殊电机时需加联接法兰。(见附录B)
2. When equipping the user's motor or the special one, the flange is required to connected. (Please see appendix B)

注: 1. LB、LBS、AC、AD、ADS尺寸详见附录A;
Note: 1. See appendix A for the size of LB&LBS&AC&AD&ADS;
2. 电机需方配或配特殊电机时需加联接法兰。(见附录B)
2. When equipping the user's motor or the special one, the flange is required to connected. (Please see appendix B)

附录 A Appendix A
电机尺寸 Dimensions of Motors



电机座号 Model	63M	71M	80M	90S	90L	100L	112M	132S	132M	160M	160L
LB	246	246	270	299	324	354	378	421	459	523	567
AC	135	135	145	162	162	185	185	260	260	330	330
AD	130	130	135	145	145	160	160	215	215	255	255
LBS	295	295	326	366	391	434	458	526	564	633	677
ADS	130	130	135	145	145	160	160	215	215	255	255

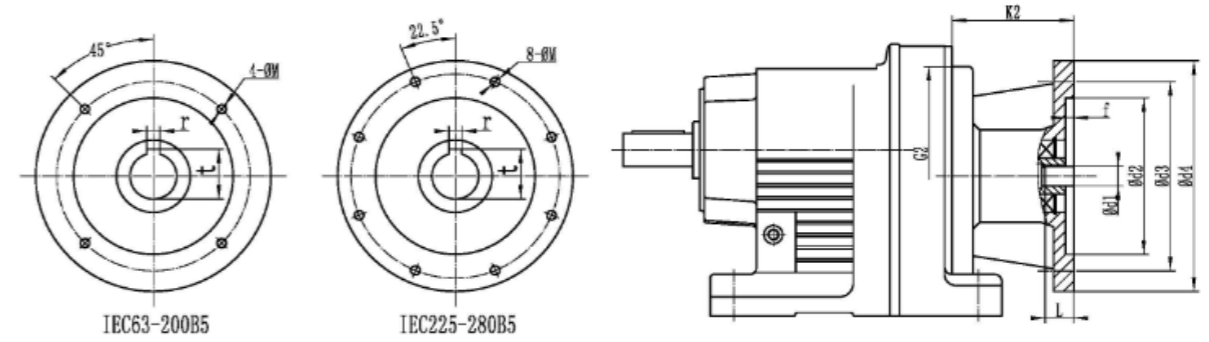
电机座号 Model	180M	180L	200L	225S	225M	250M	280S	280M	315S	315M
LB	602	642	670	679	704	786	854	905	1184	1184
AC	380	380	420	470	470	510	547	547	620	620
AD	280	280	305	335	335	370	407	407	536	536
LBS	702	742	793	844	869	931	1014	1065		
ADS	280	280	305	335	335	370	407	407		

注：以上为电机参考尺寸，若有需求精确尺寸，请向本公司咨询。

NOTE: The data in the above table is only for reference, if you need accurate data, please contact us.

附录 B Appendix B

法兰输入模块图表/DIMENSION SHEETS OF INPUT FLANGE

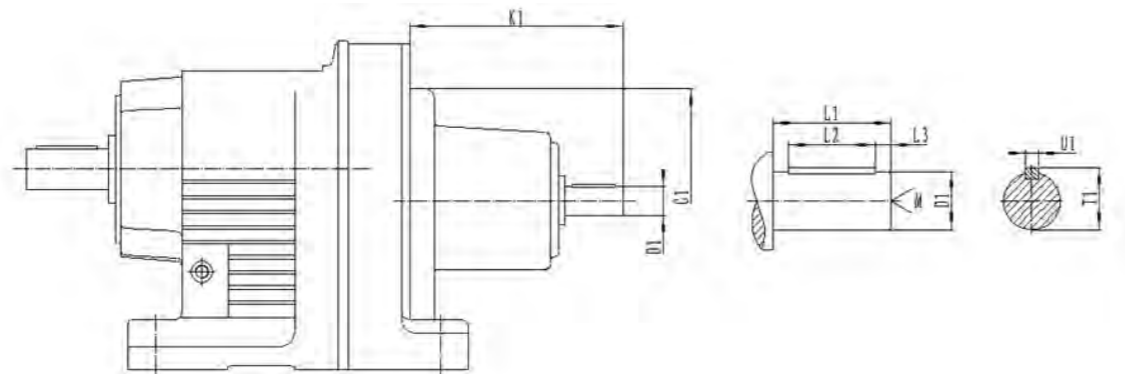


减速机型号 Type of reducer	法兰型号 Type of flange	G2	K2	d1	d2	d3	d4	f	r	t	L	M
R.. 27/37 F.. 37/47 S.. 37/47/57 K.. 37	IEC63B5	120	67	11	95	115	140	3.5	4	12.8	23	9
	IEC71B5		67	14	110	130	160	4.5	5	16.3	30	9
	IEC80B5		76	19	130	165	200	4.5	6	21.8	40	11
	IEC90B5		76	24	130	165	200	4.5	8	27.3	50	11
R.. 47/57/67 F.. 57/67 S.. 67 K.. 47/57/67	IEC63B5	160	58	11	95	115	140	3.5	4	12.8	23	9
	IEC71B5		58	14	110	130	160	4.5	5	16.3	30	9
	IEC80B5		76	19	130	165	200	4.5	6	21.8	40	11
	IEC90B5		76	24	130	165	200	4.5	8	27.3	50	11
R.. 77 F.. 77 S.. 77 K.. 77	IEC100/112B5	200	81	28	180	215	250	5	8	31.3	60	13.5
	IEC63B5		62	11	95	115	140	3.5	4	12.8	23	9
	IEC71B5		62	14	110	130	160	4.5	5	16.3	30	9
	IEC80B5		73	19	130	165	200	4.5	6	21.8	40	11
R.. 87 F.. 87 S.. 87 K.. 87	IEC90B5	250	73	24	130	165	200	4.5	8	27.3	50	11
	IEC100/112B5		83	28	180	215	250	5	8	31.3	60	13.5
	IEC132B5		105	38	230	265	300	5	10	41.3	80	13.5
	IEC80B5		69	19	130	165	200	4.5	6	21.8	40	11
R.. 97 F.. 97 S.. 97 K.. 97	IEC90B5	300	69	24	130	165	200	4.5	8	27.3	50	11
	IEC100/112B5		79	28	180	215	250	5	8	31.3	60	13.5
	IEC132B5		100	38	230	265	300	5	10	41.3	80	13.5
	IEC160B5		130	42	250	300	350	6	12	45.3	110	17.5
R.. 107 F.. 107 S.. 107 K.. 107	IEC180B5	350	130	48	250	300	350	6	14	51.8	110	17.5
	IEC100/112B5		74	28	180	215	250	5	8	31.3	60	13.5
	IEC132B5		103	38	230	265	300	5	10	41.3	80	13.5
	IEC160B5		133	42	250	300	350	6	12	45.3	110	17.5
R.. 137	IEC180B5	400	133	48	250	300	350	6	14	51.8	110	17.5
	IEC200B5		141	55	300	350	400	6	16	59.3	110	17.5
	IEC100/112B5		103	28	180	215	250	5	8	31.3	60	13.5
	IEC132B5		103	38	230	265	300	5	10	41.3	80	13.5
R.. 147 F.. 127 S.. 127 K.. 127	IEC160B5	450	132	42	250	300	350	6	12	45.3	110	17.5
	IEC180B5		132	48	250	300	350	6	14	51.8	110	17.5
	IEC200B5		135	55	300	350	400	6	16	59.3	110	17.5
	IEC225B5		165	60	350	400	450	6	18	64.4	140	17.5
R.. 167 F.. 157 K.. 157/167 /187	IEC132B5	550	145	38	230	265	300	5	10	41.3	80	13.5
	IEC160B5		145	42	250	300	350	6	12	45.3	110	17.5
	IEC180B5		145	48	250	300	350	6	14	51.8	110	17.5
	IEC200B5		145	55	300	350	400	6	16	59.3	110	17.5
R.. 147 F.. 127 S.. 127 K.. 127	IEC225B5	550	165	60	350	400	450	6	18	64.4	140	17.5
	IEC160B5		130	42	250	300	350	6	12	45.3	110	17.5
	IEC180B5		130	48	250	300	350	6	14	51.8	110	17.5
	IEC200B5		130	55	300	350	400	6	16	59.3	110	17.5
R.. 147 F.. 127 S.. 127 K.. 127	IEC225B5	550	160	60	350	400	450	6	18	64.4	140	17.5



附录 C Appendix C

轴输入模块图表/DIMENSION SHEETS OF INPUT SHAFT



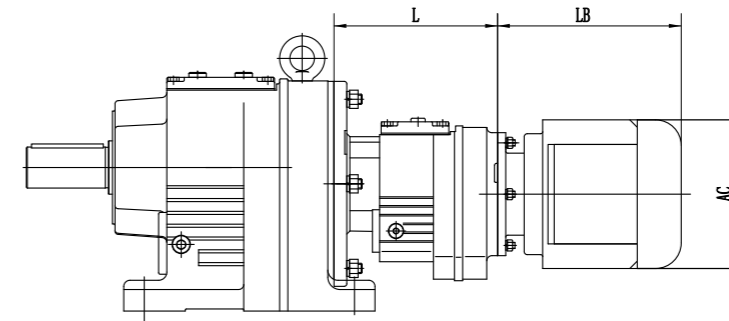
系列代号 Series cod	机座号 Type	输入轴型号 Input shaft type	G1	K1	D1	L1	L2	L3	T1	U1	M
R..	27	AD1	120	102	16k6	40	32	4	18	5	M5
		AD2		130	19k6	40	32	4	21.5	6	M6
R../S.. F../K..	37	AD1		102	16k6	40	32	4	18	5	M5
		AD2		130	19k6	40	32	4	21.5	6	M6
S../F..	47	AD1		102	16k6	40	32	4	18	5	M5
		AD2		130	19k6	40	32	4	21.5	6	M6
R../K..	47	AD2		123	19k6	40	32	4	21.5	6	M6
		AD3		159	24k6	50	40	5	27	8	M8
S..	57	AD1		102	16k6	40	32	4	18	5	M5
		AD2		130	19k6	40	32	4	21.5	6	M6
R../F../K..	57	AD2		123	19k6	40	32	4	21.5	6	M6
		AD3		159	24k6	50	40	5	27	8	M8
R../S.. F../K..	67	AD2	123	19k6	40	32	4	21.5	6	M6	
		AD3	159	24k6	50	40	5	27	8	M8	
R../S.. F../K..	77	AD2	116	19k6	40	32	4	21.5	6	M6	
		AD3	151	24k6	50	40	5	27	8	M8	
R../S.. F../K..	87	AD4	224	38k6	80	70	5	41	10	M12	
		AD2	111	19k6	40	32	4	21.5	6	M6	
R../S.. F../K..	97	AD3	156	28k6	60	50	5	31	8	M10	
		AD4	219	38k6	80	70	5	41	10	M12	
R../S.. F../K..	97	AD5	292	42k6	110	70	10	45	12	M16	
		AD3	151	28k6	60	50	5	31	8	M10	
R../F../K..	107	AD4	214	38k6	80	70	5	41	10	M12	
		AD5	287	42k6	110	70	10	45	12	M16	
F../K..	127	AD6	327	48k6	110	80	10	51.5	14	M20	
		AD4	145	28k6	60	50	5	31	8	M10	
R..	137	AD5	208	38k6	80	70	5	41	10	M12	
		AD6	281	42k6	110	70	10	45	12	M16	
R..	147	AD7	321	48k6	110	80	10	51.5	14	M20	
		AD4	193	38k6	80	70	5	41	10	M12	
F../K..	157	AD5	266	42k6	110	70	10	45	12	M16	
		AD6	306	48k6	110	80	10	51.5	14	M20	
R..	167	AD7	300	55m6	110	90	10	59	16	M20	
		AD8	383	70m6	140	110	15	74.5	20	M20	
K..	187	AD5	201	38k6	80	70	5	41	10	M12	
		AD6	274	42k6	110	70	10	45	12	M16	
R../K..	167	AD7	314	48k6	110	80	10	51.5	14	M20	
		AD8	308	55m6	110	90	10	59	16	M20	
F../K..	157	AD4	193	38k6	80	70	5	41	10	M12	
		AD5	266	42k6	110	70	10	45	12	M16	
R../K..	167	AD6	306	48k6	110	80	10	51.5	14	M20	
		AD7	300	55m6	110	90	10	59	16	M20	
K..	187	AD8	383	70m6	140	110	15	74.5	20	M20	
		AD5	258	42k6	110	70	10	45	12	M16	
R../K..	167	AD6	298	48k6	110	80	10	51.5	14	M16	
		AD7	292	55m6	110	90	10	59	16	M20	
K..	187	AD8	374	70m6	140	110	15	74.5	20	M20	
		AD5	258	42k6	110	70	10	45	12	M16	
R../K..	167	AD6	298	48k6	110	80	10	51.5	14	M16	
		AD7	292	55m6	110	90	10	59	16	M20	
K..	187	AD8	374	70m6	140	110	15	74.5	20	M20	

附录 D

R..R..
安装结构尺寸

Appendix D

R..R..
Mounting Dimensional Description



机型号 Type Size	电机机座号 Motor frame size	L
R..27R17 R..37R17	63	149
	71	
R..47R37 R..57R37 R..67R37	63	153
	71	
	80	
R..77R37	63	153
	71	
	80	
R..87R57	63	188
	71	
	80	
R..97R57	63	188
	71	
	80	
R..107R77	90	226
	100	
	112	
	132	
R..137R77	63	226
	71	
	80	
	90	
R..147R77	100	226
	112	
	132	
	160	

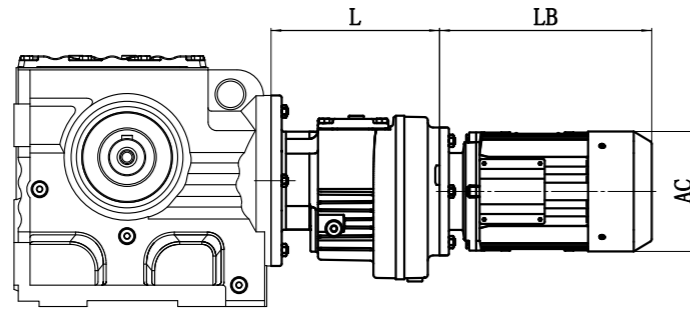
机型号 Type Size	电机机座号 Motor frame size	L
R..147R77	63	226
	71	
	80	
	90	
	100	
R..147R87	112	276
	132	
	160	
	180	
R..167R97	90	321
	100	
	112	
	132	
	160	
R..167R107	180	355
	100	
	112	
	132	
	200	
225		

注: 1. LB、AC尺寸详见附录A;
Note: 1. See appendix A for the size of LB&AC;
2. 电机需方配或配特殊电机时需加联接法兰。(见附录B)
2. When equipping the user's motor or the special one, the flange is required to connected. (Please see appendix B)



附录 D
S..R..
安装结构尺寸

Appendix D
S..R..
Mounting Dimensional Description

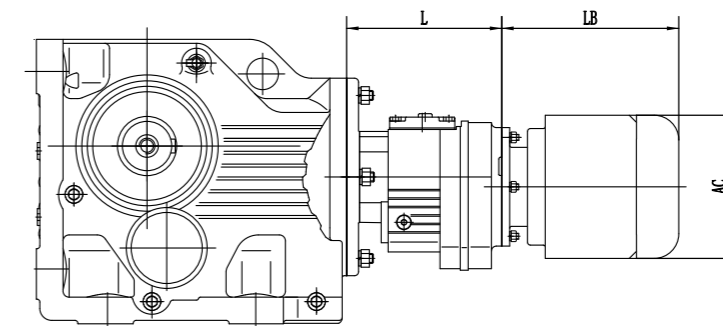


机型号 Type Size	电机机座号 Motor frame size	L
S..37R17	63	149
	71	
S..47R17 S..57R17	63	149
	71	
	80	
S..67R37	63	153
	71	
	80	
S..77R37	63	153
	71	
	80	
S..87R57	63	188
	71	
	80	
S..97R57	90	188
	100	
	63	
	71	
S..97R57	80	188
	90	
	100	
	112	

注: 1. LB、AC尺寸详见附录A;
Note: 1. See appendix A for the size of LB&AC;
2. 电机需方配或配特殊电机时需加联接法兰。(见附录B)
2. When equipping the user's motor or the special one, the flange is required to be connected. (Please see appendix B)

附录 D
K..R..
安装结构尺寸

Appendix D
K..R..
Mounting Dimensional Description



机型号 Type Size	电机机座号 Motor frame size	L
K..37R17	63	149
	71	
	80	
K..47R37	63	153
	71	
	80	
K..57R37 K..67R37	63	153
	71	
	80	
K..77R37	90	153
	63	
	71	
K..87R57	80	188
	90	
	63	
	71	
K..97R57	80	188
	90	
	100	
	63	
	71	
K..107R77	100	226
	112	
	63	
	71	
	80	
	90	
	100	
	112	

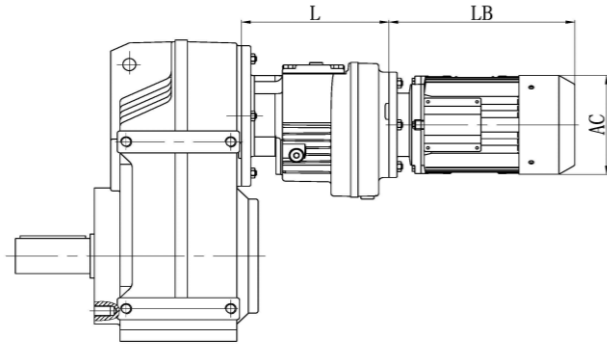
注: 1. LB、AC尺寸详见附录A;
Note: 1. See appendix A for the size of LB&AC;
2. 电机需方配或配特殊电机时需加联接法兰。(见附录B)
2. When equipping the user's motor or the special one, the flange is required to be connected. (Please see appendix B)

机型号 Type Size	电机机座号 Motor frame size	L
K..127R77	63	226
	71	
	80	
	90	
	100	
	112	
K..127R87	132	276
	160	
	90	
	100	
	112	
	132	
K..157R97 K..167R97 K..187R97	160	321
	180	
	80	
	90	
	100	
	112	
K..157R107 K..167R107 K..187R107	132	355
	160	
	180	
	200	
	100	
	112	



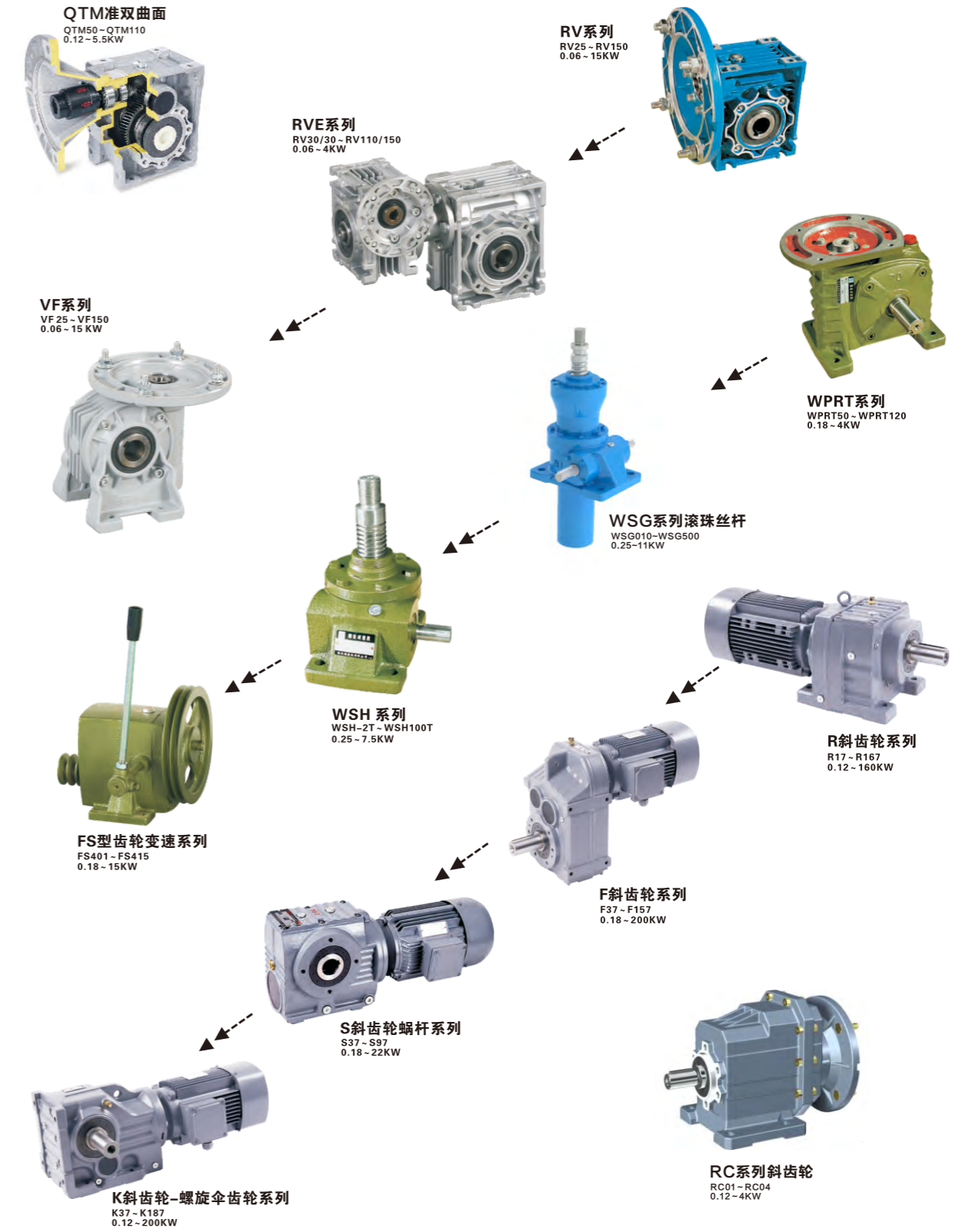
附录 D
F..R..
安装结构尺寸

Appendix D
F..R..
Mounting Dimensional Description



机型号 Type Size	电机机座号 Motor fram size	L
F..37R17 F..47R17	63	149
	71	
	80	
F..57R37	63	153
	71	
	80	
F..67R37	63	153
	71	
	80	
F..77R37	63	153
	71	
	80	
F..87R57	63	188
	71	
	80	
F..97R57	63	188
	71	
	80	
F..107R77	90	226
	100	
	112	
	132	
	160	
	160	

机型号 Type Size	电机机座号 Motor fram size	L
F..127R77	63	226
	71	
	80	
	90	
	100	
F..127R87	112	276
	132	
	160	
	180	
	180	
F..157R97	80	321
	90	
	100	
	112	
	132	
	200	



注：1. LB、AC尺寸详见附录A； Note: 1. See appendix A for the size of LB&AC;
2. 电机需方配或配特殊电机时需加联接法兰。(见附录B)
2. When equipping the user's motor or the special one, the flange is required to connected. (Please see appendix B)

★因说明书内的内容会不断更新，订货时请以最新的资料为准