

Great 格雷特 240W AC-DC DESK-TOP POWER SUPPLY (GRT200 SERIES)



■ FEATURES:

- Own global certification
- Full range AC input for international use
- No-load consumption<0.21W
- Efficiency Level
- Protection: SCP/OCP/OVP
- Full protective plastic housing
- Temp.: -10~+50℃

■ APPLICATIONS:

- Consumer Electronics
- Communication Equipments
- Office Equipments
- Industrial Equipments
- Security Equipments

■ DESCRIPTION:

GRT200 series are the desk-top type, to support output power 240W max, which with highly reliable ,green and single output.The item is Class I (with grounding pin) , IEC320-C14 AC input socket,suitable for application with input voltage 100~240VAC,output voltage from 12Vdc to 56Vdc.Can meet the demands of all kinds of consumer electronics devices.

GRT90 series with 93% efficiency,no-load power consumption below 0.2W,fully compliance with EU ERP and Code of Conduct(CoC) Version 5, and pass International safety certifications.

The most important feature of GRT200 series is that can save power consumption when standby mode.

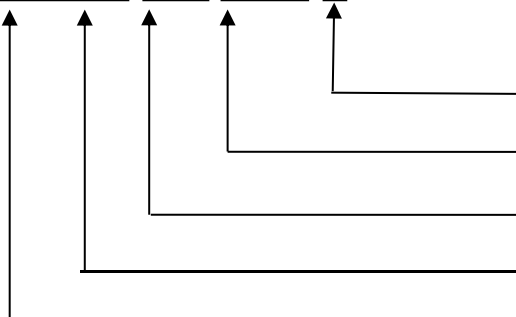
The plastic housing used for GRT200 series is compliance with UL94 V-0.It provides double insulation protection against electric shock.

Remark:The information just for reference,the specific data shall be finally confirmed by both parties

Great 格雷特 240W AC-DC DESK-TOP POWER SUPPLY (GRT200 SERIES)

Model number

GRT200-240 1000-F



F: attached one AC cord; no "F" means no AC cord
 Rated output current
 Rated output voltage
 Max rated output power
 The series

SPECTION:

Output	Model ①	GRT200-1201500	GRT200-2401000	GRT200-4800500	GRT200-560230
	DC Voltage ③	12V	24V	48V	56V
	Rated Current	15A	10.0A	5.0A	4.28A
	Current range	0-15A	0-10.0A	0-5.0A	0-4.28A
	Rated power	180W	240W	240W	240W
	Ripple & Noise (max) ④	200mVp-p	200mVp-p	200mVp-p	200mVp-p
	Volt.accuracy ⑤	±5.0%	±5.0%	±5.0%	±3.0%
	Line Regulation ⑥	±1.0%	±1.0%	±1.0%	±1.0%
	Load Regulation ⑦	±5.0%	±3.0%	±3.0%	±2.0%
	Time: Turn on/Rise/Hold on	2000ms, 50ms, 10ms /230VAC 3000ms, 50ms, 10ms /115VAC (@ full load)			
Input	Voltage range	90-264VAC			
	Frequency range	47 ~ 63Hz			
	Efficiency (Typ.)	91%	92%	93%	93%
	AC current	3.0A / 115VAC 1.5A / 230VAC			
	Inrush current (max)	Cold start 40A / 115VAC 75A / 230VAC			
	Surge current(max)	0.25mA / 240VAC			
Protection	Over-load	120%~180% Rated output power			
		The power supply shall be protected when output in over-load			
	Over-voltage	110%~140% Rated output voltage			
		The power supply will be restarted recovery when power off			
Environment	Working Temp.	-10 ~ +50℃ (refers to deduction curve)			
	Working Humidity	20 ~ 90% RH,non-condensing			
	Temp/humidity	-20 ~ +85℃			
	Storage	10 ~ 95% RH (non-condensing)			

Remark: The information just for reference, the specific data shall be finally confirmed by both parties

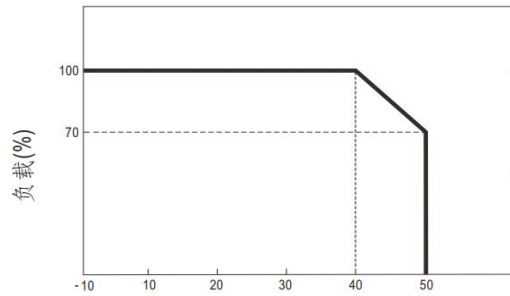


240W AC-DC DESK-TOP POWER SUPPLY (GRT200 SERIES)

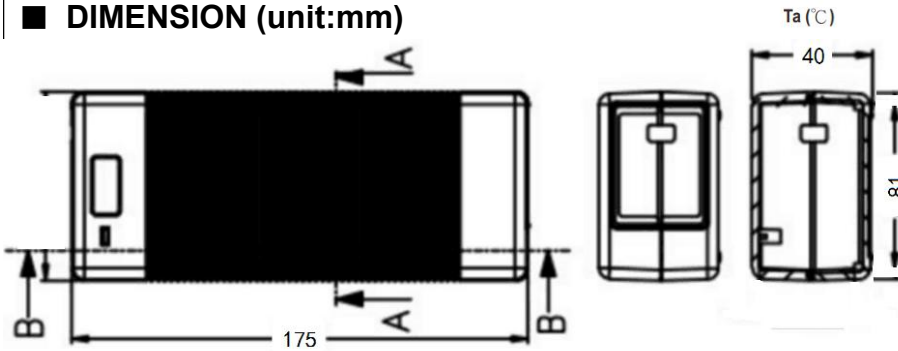
	Temp. coefficient	±0.03% /°C (0 ~ 40°C)																		
	Vibration	10 ~ 500Hz, 2G 10m/circle, X、Y、Z axis,60m per each																		
Safety EMC	Safety Standard	GB4943 , GB4706 , IEC62368-1,EN62368-1UL62368-1,KC60950,EN61558																		
	Withstand	I/P-O/P: 3000VAC																		
	Insulation	I/P-O/P:10M Ohms / 500VDC / 25°C/ 70% RH																		
	EMC ⑧	Parameter	Standard	Test Level / Note																
	Conducted emission	GB17625.1,EN55032,	Class B																	
	Radiated emission	GB/T-9254, EN55035, GB4343, FCC Part 15,	Class B																	
Other	Lifetime	3years : 100% load at 40°C, 12 hours per day																		
	MTBF	≥50000hrs min. MIL-HDBK-217F (25°C)																		
	Dimension	175*81*40mm (L*W*H)																		
Connector	AC inlet	IEC320-C14 standard AC inlet																		
	Power cord (O/P)	According to clients' requirements																		
Remarks	1. I Mode series,details as below list:																			
	<table border="1"> <thead> <tr> <th rowspan="2">Part Number</th> <th rowspan="2">Input</th> <th colspan="3">Output</th> </tr> <tr> <th>Voltage (V)</th> <th>Current (A)</th> <th>Power(W)max</th> </tr> </thead> <tbody> <tr> <td rowspan="2">GRT200-XXXYYY-F</td> <td>100-240V ~/1.5A</td> <td>12-23.9</td> <td>0.10-15.0</td> <td>180</td> </tr> <tr> <td>Max/50-60Hz</td> <td>24.0-56.0</td> <td>0.10-10.0</td> <td>240</td> </tr> </tbody> </table>				Part Number	Input	Output			Voltage (V)	Current (A)	Power(W)max	GRT200-XXXYYY-F	100-240V ~/1.5A	12-23.9	0.10-15.0	180	Max/50-60Hz	24.0-56.0	0.10-10.0
Part Number	Input	Output																		
		Voltage (V)	Current (A)	Power(W)max																
GRT200-XXXYYY-F	100-240V ~/1.5A	12-23.9	0.10-15.0	180																
	Max/50-60Hz	24.0-56.0	0.10-10.0	240																
<p>Notes:</p> <p>XXX:Three digits number which represents output voltage from 12.0Vdc to 56.0Vdc, minimum rising step is 0.1V. (e.g:120=12.0V,240=24.0V,560=56.0V)</p> <p>YYY:Three digits number which represents output current from 0.1A to 15.0A, minimum rising step is 0.01A</p> <p>F: means the adapter attached the power cords (both Input cord /output cord)</p> <p>GRT150-XXXYYY-F: means the adapter attached input power cord</p> <p>GRT150-XXXYYY: means the adapter with IEC320-C14 inlet (no AC cord)</p>																				
<p>2. If without special requirements, all specification parameters are tested under specified conditions (with input 230VAC, rated load at 25°C 70%RH)</p> <p>3. DC voltage test: test at AC socket at 50% load</p> <p>4. Ripple & noise test :use one #12 UTP, the oscilloscope set to 20MHZ bandwidth limit,parallel with0.1uF and 10uF capacitors</p> <p>5. Accuracy: Includes setting error,rate of linear regulation / load regulation</p> <p>6.Linear Regulation: Test from low voltage to high voltage at rated load</p> <p>7. Load regulation:test the rated load from 10% to 100%</p> <p>8. The item has passed EMC test</p>																				

Remark:The information just for reference,the specific data shall be finally confirmed by both parties

■ DEDUCTION CURVE



■ DIMENSION (unit:mm)



■ OUTPUT DC CONNECTOR

◎ Common DC jack (set as standard if without special requirements):

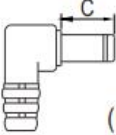
	Pin definition
	<p>外側 ⊖ — C⁻ — ⊕ 内側</p>

◎ Optional DC jacks:

Tuning Fork Style		A	B	C
		OD	ID	L
	(Straight)	5.5	2.1	9.5
		5.5	2.1	11.0
		5.5	2.5	9.5
		5.5	2.5	11.0
	(Right-angled)	5.5	2.1	9.5
		5.5	2.1	11.0
		5.5	2.5	9.5
		5.5	2.5	11.0
Barrel Style		A	B	C
		OD	ID	L
	(Straight)	5.5	2.1	9.5
		5.5	2.1	11.0
		5.5	2.5	9.5
		5.5	2.5	11.0

Remark: The information just for reference, the specific data shall be finally confirmed by both parties

Great 格雷特 240W AC-DC DESK-TOP POWER SUPPLY (GRT200 SERIES)

	 (Right-angled)	5.5	2.1	9.5
		5.5	2.1	11.0
		5.5	2.5	9.5
		5.5	2.5	11.0

Remark: The information just for reference, the specific data shall be finally confirmed by both parties