



■ FEATURES:

- Own global certification
- Full range AC input for international use
- No-load consumption<0.21W
- Efficiency Level
- Protection: SCP/OCP/OVP
- Full protective plastic housing
- Temp.: -10~+50°C

■ APPLICATIONS:

- Consumer Electronics
- Communication Equipments
- Office Equipments
- Industrial Equipments
- Security Equipments

■ DESCRIPTION:

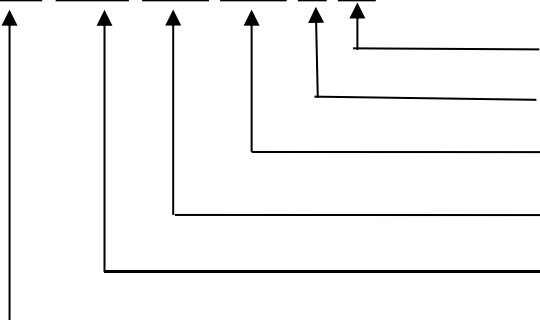
GRT-D80 series are the wall mounted type, to support 84W max power, which with smart size, green and single output. The item is Class II, with fixed AC plug like as AU, EU, UK, CN, KR, US and more, suitable for application with input voltage 100-240VAC, output voltage from 12Vdc to 56Vdc. Can meet the demands of all kinds of consumer electronics devices and pass International safety certifications.

GRT-D80 series with 91% efficiency, no-load power consumption below 0.21W, fully compliance with EU ERP and Code of Conduct (CoC) Version 5.

The most important feature of GRT-D80 series is that can save power consumption when standby mode. The plastic housing used for GRT-D80 series is compliance with UL94 V-0. It provides double insulation protection against electric shock.

■ Model number

GRT-A80-120 700 U W



Plastic housing color,W=White,B=Black

AC plug:U=US plug

Rated output current

Rated output voltage

Max rated output power

GRT:Company name

SPECTION:

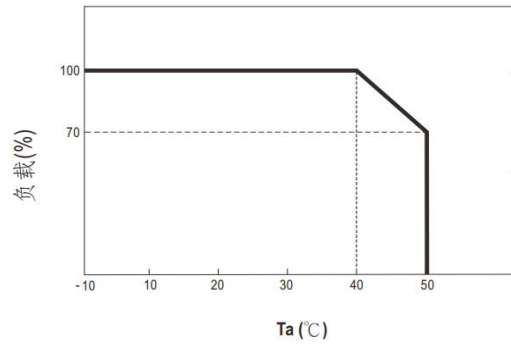
Output	Model ①	GRT-D80-120700CW	GRT-D80-240350CW	GRT-D80-480175CW	GRT-D80-560150CW
	DC Voltage ③	12V	24V	48V	56V
	Rated Current	7A	3.5A	1.75A	1.5A
	Current range	0-7A	0-3.5A	0-1.75A	0-1.5A
	Rated power	84W	84W	84W	84W
	Ripple & Noise (max) ④	200mVp-p	200mVp-p	200mVp-p	200mVp-p
	Volt.accuracy ⑤	±5.0%	±5.0%	±5.0%	±3.0%
	Line Regulation ⑥	±1.0%	±1.0%	±1.0%	±1.0%
	Load Regulation ⑦	±5.0%	±3.0%	±3.0%	±2.0%
	Turn on/Rise/Hold on time	2000ms, 50ms, 10ms /230VAC 3000ms, 50ms, 10ms /115VAC (@ full load)			
Input	Voltage range	90-264VAC			
	Frequency range	47 ~ 63Hz			
	Efficiency (Typ.)	90%	90%	91%	91%
	AC current	1.5A / 115VAC 0.75A / 230VAC			
	Inrush current (max)	Cold start 40A/115VAC 75A / 230VAC			
Surge current(max)	0.25mA / 240VAC				
Protection	Over-load	120%~180% Rated output power The power supply shall be protected when output in over-load			
	Over-voltage	110%~140% Rated output voltage The power supply will be restarted recovery when power off			
Environment	Working Temp.	-10 ~ +50 °C (refers to deduction curve)			
	Working Humidity	20 ~ 90% RH,non-condensing			
	Temp/humidity Storage	-20 ~ +85 °C, 10 ~ 95% RH,non-condensing			
	Temp. coefficient	±0.03% /°C (0 ~ 40 °C)			
	Vibration	10 ~ 500Hz, 2G 10m/circle, X、Y、Z axis,60m per each			

Remark:The information just for reference,the specific data shall be finally confirmed by both parties

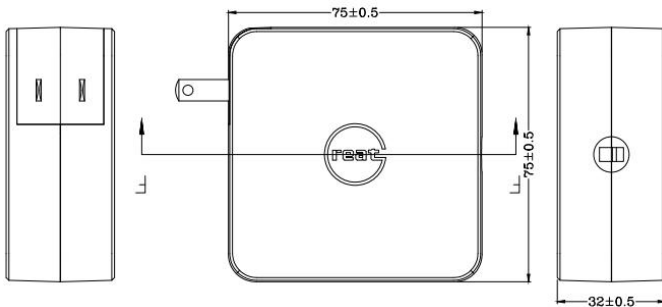
Safety EMC	Safety Standard	GB4943 , GB4706 , IEC62368-1,EN62368-1UL62368-1,KC60950,EN61558																											
	Withstand	I/P-O/P: 3000VAC																											
	Insulation	I/P-O/P:10M Ohms / 500VDC / 25°C/ 70% RH																											
	EMC ⑧	Parameter	Standard	Test Level / Note																									
	Conducted emission	GB17625.1,EN55032,		Class B																									
	Radiated emission	GB/T-9254, EN55035, GB4343, FCC Part 15,		Class B																									
Other	Lifetime	3years : 100% load at 40°C, 12 hours per day																											
	MTBF	≥50000hrs min. MIL-HDBK-217F (25°C)																											
	Dimension	75*75*32 mm (L*W*H)																											
Connector	AC inlet	Fixed AC plug (2~3pins),like as EU, UK,US,AU,CN,KR,JP ect																											
	Power cord (O/P)	According to clients' requirements																											
Remarks	1. I Mode series,details as below list:																												
	<table border="1" style="width: 100%; border-collapse: collapse;"> <thead> <tr> <th rowspan="2" style="width: 20%;">Part Number</th> <th rowspan="2" style="width: 20%;">Input</th> <th colspan="3" style="text-align: center;">Output</th> </tr> <tr> <th style="width: 20%;">Voltage (V)</th> <th style="width: 20%;">Current (A)</th> <th style="width: 20%;">Power (W) max</th> </tr> </thead> <tbody> <tr> <td rowspan="2" style="text-align: center;">GRT-D80-XXXXYYU#</td> <td rowspan="2" style="text-align: center;">100-240V ~/1.5A Max/50-60Hz</td> <td style="text-align: center;">12.0-24.0</td> <td style="text-align: center;">0.10-7.00</td> <td style="text-align: center;">84</td> </tr> <tr> <td style="text-align: center;">24.1-56.0</td> <td style="text-align: center;">0.10-3.5</td> <td style="text-align: center;">84</td> </tr> <tr> <td> </td> <td> </td> <td> </td> <td> </td> <td> </td> </tr> <tr> <td> </td> <td> </td> <td> </td> <td> </td> <td> </td> </tr> </tbody> </table>				Part Number	Input	Output			Voltage (V)	Current (A)	Power (W) max	GRT-D80-XXXXYYU#	100-240V ~/1.5A Max/50-60Hz	12.0-24.0	0.10-7.00	84	24.1-56.0	0.10-3.5	84									
Part Number	Input	Output																											
		Voltage (V)	Current (A)	Power (W) max																									
GRT-D80-XXXXYYU#	100-240V ~/1.5A Max/50-60Hz	12.0-24.0	0.10-7.00	84																									
		24.1-56.0	0.10-3.5	84																									
<p>Notes:</p> <p>XXX:Three digits number which represents output voltage from 12.Vdc to 56.0Vdc, minimum rising step is 0.1V. (e.g.:120=12.0V,240=24.0V,560=56.0V)</p> <p>YYY:Three digits number which represents output current from 0.1A to 7.0A, minimum rising step is 0.01A (e.g.: 001=0.1A,700=7.0A.)</p> <p>U: represents AC plug,E=EU plug, B=UK plug,U=US plug ,A=AU plug ,C=CN plug</p> <p>#:the symbol represents plastic housing color, W=white, B=Black</p>																													
<p>2. If without special requirements, all specification parameters are tested under specified conditions (with input 230VAC, rated load at 25°C 70%RH)</p> <p>3. DC voltage test: test at AC socket at 50% load</p> <p>4. Ripple & noise test :use one #12 UTP, the oscilloscope set to 20MHZ bandwidth limit,parallel with0.1uF and 10uF capacitors</p> <p>5. Accuracy: Includes setting error,rate of linear regulation / load regulation</p> <p>6.Linear Regulation: Test from low voltage to high voltage at rated load</p> <p>7. Load regulation:test the rated load from 10% to 100%</p> <p>8. The item has passed EMC test</p>																													

Remark:The information just for reference,the specific data shall be finally confirmed by both parties

■ DEDUCTION CURVE



■ DIMENSION (unit:mm)



■ OUTPUT DC CONNECTOR

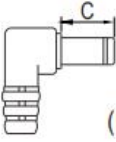
◎ Common DC jack (set as standard if without special requirements):

	Pin definition
	 外側 ⊖ — ⊕ 内側

◎ Optional DC jacks:

Tuning Fork Style		A	B	C	
		OD	ID	L	
	 (Straight) (Straight)	5.5	2.1	9.5	
		5.5	2.1	11.0	
	 (Right-angled)	5.5	2.5	9.5	
		5.5	2.5	11.0	
		5.5	2.1	9.5	
		5.5	2.1	11.0	
	Barrel Style	 (Straight)	A	B	C
			OD	ID	L
5.5			2.1	9.5	
5.5			2.1	11.0	
5.5			2.5	9.5	

Remark: The information just for reference, the specific data shall be finally confirmed by both parties

		5.5	2.5	11.0
	 (Right-angled)	5.5	2.1	9.5
		5.5	2.1	11.0
		5.5	2.5	9.5
		5.5	2.5	11.0

Remark: The information just for reference, the specific data shall be finally confirmed by both parties