

**ZERAY**

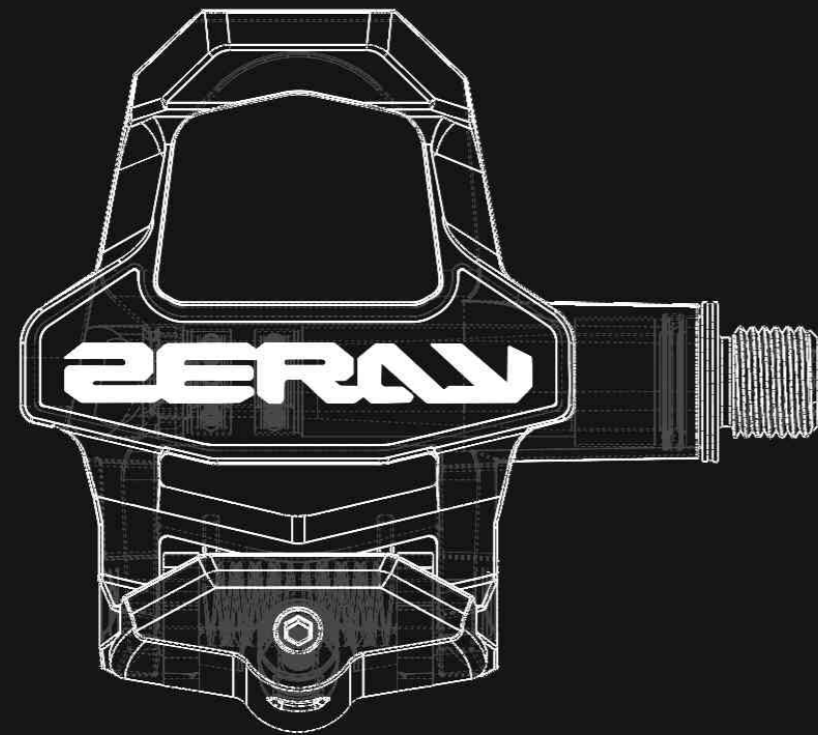
**EARTH ZERAY THE BRAND STRENGTH**

*E-mail: [feimin@chinafeimin.com](mailto:feimin@chinafeimin.com)*

*Http://[www.cn-jialong.com](http://www.cn-jialong.com)*

**ZERAY**

**PRODUCT RANGE**



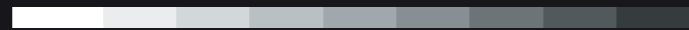
**ZERAX**

**ZERAX BAND BEARING:**

SPEED EXCELLENT SELECTED

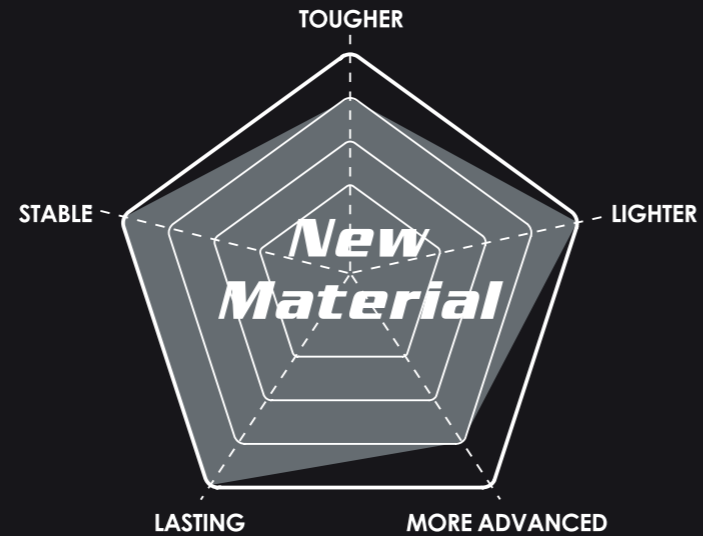
**ZERAX PRINCIPLE:**

ALL SELECTED TEAM WITH INNOVATION MIND TO  
BUILD THE BRAND



### CARBON FIBER

70% weight reduction  
Extreme needs and picky from the process and production only concern the improvement on the speed and strength.



### NEW MATERIAL



### ZP-115 ROAD



- Weight: 260g/pr
- Body: ZP-05
- Spindle: Cromoly
- Bushing: Roller bearing+2  
Deep groove ball bearings;
- Seal: 1 Rubber
- Size: 88x91mm
- Colour: Black



### ZP-110 ROAD



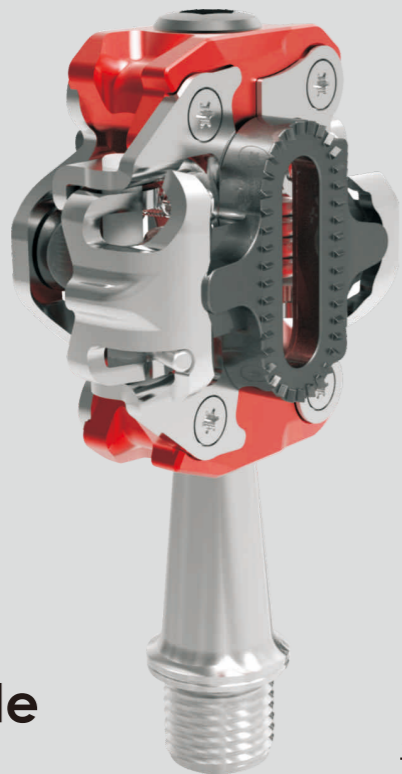
**Weight:** 258g/pr  
**Body:** ZP-01  
**Spindle:** Cromoly  
**Bushing:** Z Bearing  
**Seal:** 1Rubber  
**Size:** 87×91.3mm  
**Color:** Black



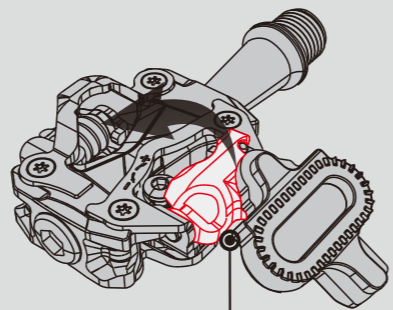
### ZP-110S ROAD



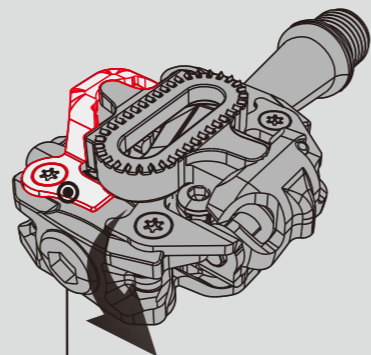
**Weight:** 253g/pr  
**Body:** ZP-01  
**Spindle:** Cromoly  
**Bushing:** Z Bearing  
**Seal:** 1Rubber  
**Size:** 87×91.3mm  
**Color:** Black



New Upgrade



23% time saved more eaily clip in.



19% lifetime enhanced from the new extending flat.



**ZP-103S** MTB



- Weight: 295g/pr
- Body: ZP-01
- Spindle: Cromoly
- Bushing: Z Bearing
- Spring: SWP
- Seal: 1Rubber
- Cleat: SC-03=SPD(6° Float)
- Size: 86×78mm
- Color: Black



**ZP-108S MTB**



**Weight:** 280g/pr  
**Body:** Aluminum  
**Spindle:** Cromoly  
**Bushing:** Z Bearing  
**Spring:** SWP  
**Seal:** 1Rubber  
**Cleat:** SC-03=SPD(6° Float)  
**Release:** Dual sided Adjustable  
**Size:** 80×49mm  
**Color:** Anodized



**ZP-101Z MTB**



**Weight:** 388g/pr  
**Body:** Aluminum  
**Cage:** Aluminum  
**Spindle:** Cromoly  
**Bushing:** Z Bearing  
**Spring:** SWP  
**Seal:** 1Rubber  
**Cleat:** SC-03=SPD(6° Float)  
**Size:** 100.5×63mm  
**Color:** Electroplated





**ZP-106S** MTB



**Weight:** 359g/pr  
**Body:** Aluminum 6061 Forged  
**Cage:** Aluminum  
**Spindle:** Cromoly  
**Bushing:** Z Bearing  
**Spring:** SWP  
**Seal:** 1Rubber(patent)  
**Cleat:** SC-03=SPD(6° Float)  
**Size:** 88×75mm  
**Color:** Anodized



**ZP-109S** MTB



**Weight:** 340g/pr  
**Body:** Aluminum  
**Spindle:** Cromoly  
**Bushing:** Z Bearing  
**Spring:** SWP  
**Seal:** 1Rubber(patent)  
**Cleat:** SC-03=SPD(6° Float)  
**Release:** Single sided Adjustable  
**Size:** 88.5×94mm  
**Color:** Electroplated



# ANODISED DIE CASTING

Innovative break on the alloy processing brings the fantastic finish.

- Streamline design
- Diversified color option
- Free to design



## ZP-D267 MTB



Weight: 324g/pr

Body: ZP-03

Spindle: Cromoly

Bushing: Z Bearing

Pin: Replaceable Straight pins

Seal: 1Rubber

Size: 109.5×98mm

Color: Anodized







**ZP-107L** EXERCISE



**Weight:** 628g/pr  
**Body:** Aluminum  
**Cage:** Nylon  
**Bushing:** Tri-sleeve-bearing  
**Size:** 113×102mm  
**Color:** Black



**ZP-J991** EXERCISE



**Weight:** Ball typr 646.4g/pr  
**Body:** Aluminum  
**Cage:** Nylon  
**Bushing:** Roller bearing  
**Size:** 128×110mm  
**Thread:** M18×1.5 BC9/16×20T Head  
**Color:** Black



### ZP-J992 EXERCISE

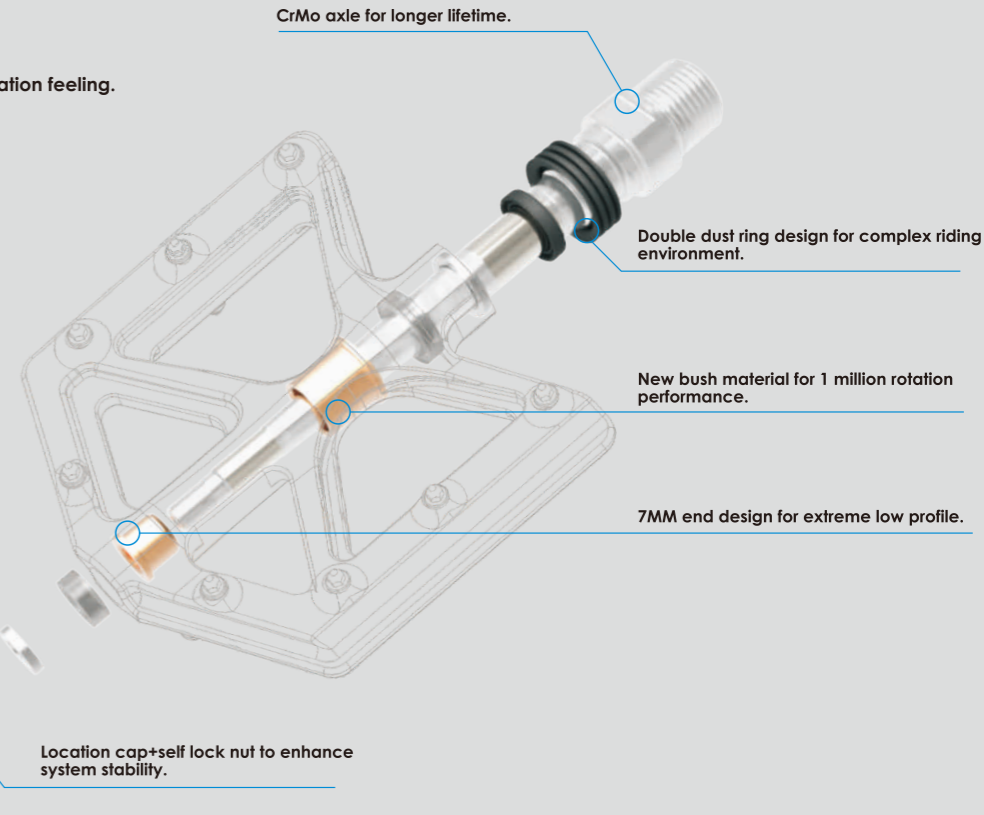
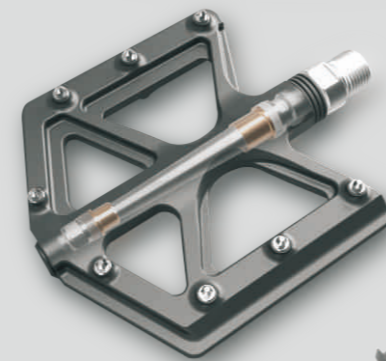


**Weight:** Ball typr 748.9g/pr  
**Body:** Aluminum  
**Cage:** Nylon  
**Bushing:** Roller bearing  
**Size:** 130×110.73mm  
**Thread:** M18×1.5 BC9/16×20T Head  
**Color:** Black

## Z-SYSTEM

Extreme Thin \ Extreme functional performance \ Extreme Rotation feeling.

·Extreme thin ·Extreme light ·Extreme Strong



CrMo axle for longer lifetime.

Double dust ring design for complex riding environment.

New bush material for 1 million rotation performance.

7MM end design for extreme low profile.

Location cap+self lock nut to enhance system stability.



### ZP-D213 MTB



**Weight:** 239g/pr  
**Body:** ZP-01  
**Spindle:** Cromoly  
**Bushing:** Z Bearing  
**Pin:** Replaceable Straight pins  
**Seal:** 1Rubber  
**Size:** 109.8×100mm  
**Color:** Black



### ZP-D268 MTB



**Weight:** 522.8g/pr  
**Body:** Aluminum  
**Spindle:** Cromoly  
**Bushing:** Z Bearing  
**Pin:** Replaceable Straight pins  
**Seal:** 1Rubber  
**Size:** 119×110mm  
**Color:** Black



### ZP-D262 MTB



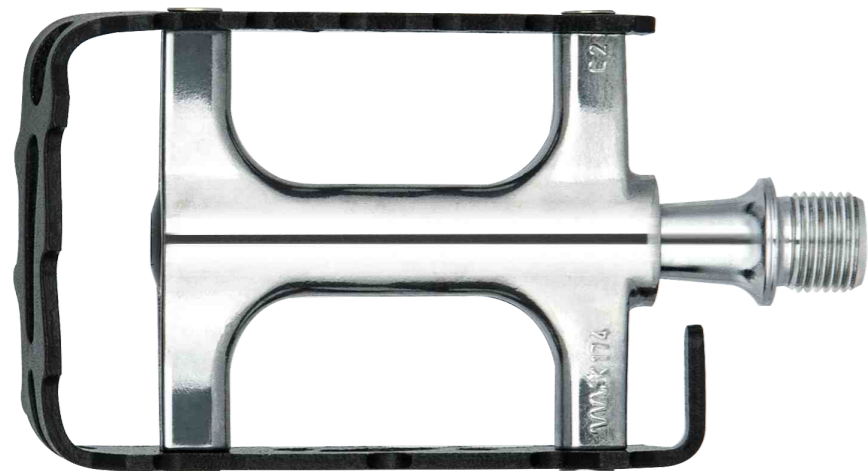
**Weight:** 309g/pr  
**Body:** Aluminum 6061 Forged  
**Spindle:** Cromoly  
**Bushing:** Z Bearing  
**Pin:** Replaceable Straight pins  
**Seal:** 1Rubber(patent)  
**Size:** 110×100mm  
**Color:** Anodized



### ZP-897 MTB



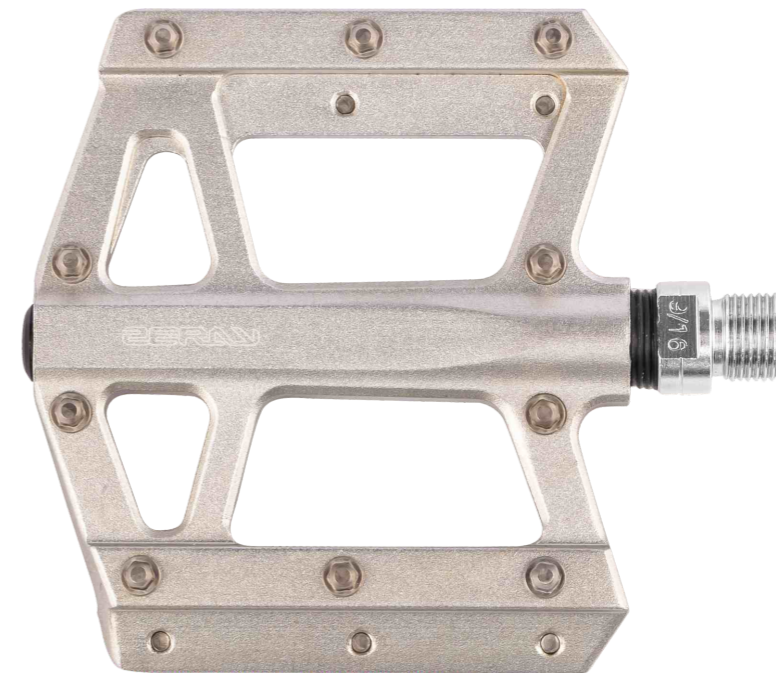
**Weight:** 250g/pr  
**Body:** ZP-02  
**Spindle:** Boron  
**Bearing:** Z Bearing/ZP Bearing  
**Size:** 109×105mm  
**Color:** Black



**ZP-975C** MTB



**Weight:** 268g/pr  
**Body:** Aluminum  
**Cage:** Aluminum  
**Spindle:** Cromoly  
**Bushing:** 1DU  
**Bearing:** 1Cartridge  
**Seal:** 1Rubber(patent)  
**Size:** 108×64mm  
**Color:** Electroplated

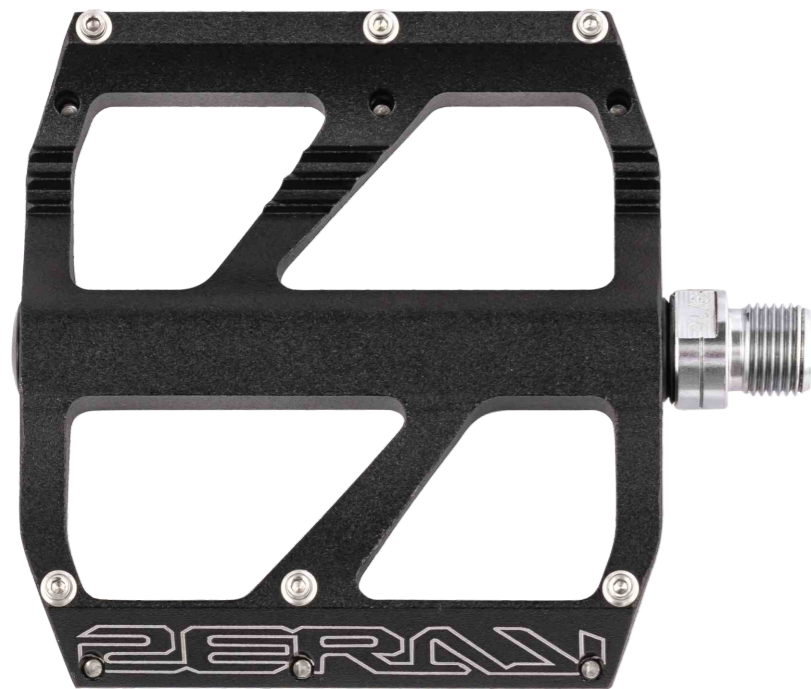


**ZP-A995** BMX



**Weight:** 382g/pr  
**Body:** Aluminum 6061 CNC Machined  
**Spindle:** Cromoly  
**Bushing:** Z Bearing  
**Pin:** Replaceable Straight pins  
**Seal:** 1Rubber(patent)  
**Size:** 110×106mm  
**Color:** Anodized





**ZP-A997** BMX



**Weight:** 446g/pr  
**Body:** Aluminum 6061 CNC Machined  
**Spindle:** Cromoly  
**Bearing:** 1 Cartridge  
**Bushing:** 2 Sleeve bearing  
**Pin:** Replaceable Straight pins  
**Seal:** 1 Rubber(patent)  
**Size:** 108\*101mm  
**Color:** Anodized



**ZP-D263** ROAD



**Weight:** 251g/pr  
**Body:** Aluminum 6061 Forged CNC Machined  
**Spindle:** Boron  
**Bushing:** 1DU  
**Bearing:** 1 Cartridge  
**Seal:** 1 Rubber(patent)  
**Size:** 98 X76mm  
**Color:** Anodized





### ZP-928 ROAD



**Weight:** 260g/pr  
**Body:** Aluminum  
**Spindle:** Boron  
**Bushing:** 1DU  
**Bearing:** 1Cartridge  
**Seal:** 1 Rubber(patent)  
**Size:** 100 X76mm  
**Color:** Black



### ZP-D261 ROAD



**Weight:** 218g/pr  
**Body:** Aluminum 6061  
**Spindle:** Cromoly  
**Bushing:** Z Bearing  
**Pin:** Replaceable Straight pins  
**Seal:** 1Rubber(patent)  
**Size:** 98×64mm  
**Color:** Anodized





**ZP-A926 ROAD**



**Weight:** 258g/pr  
**Body:** Aluminum 6061 Forged CNC Machined  
**Spindle:** Cromoly  
**Bushing:** 1DU  
**Bearing:** 1Cartridge  
**Seal:** 1Rubber(patent)  
**Size:** 102×62mm  
**Color:** Anodized



**ZP-A996 ROAD**



**Weight:** 216g/pr  
**Body:** 6061 CNC Machined  
**Spindle:** Cromoly  
**Bushing:** Z Bearing  
**Pin:** Replaceable Straight pins  
**Seal:** 1Rubber(patent)  
**Size:** 95.8×62mm  
**Color:** Anodized



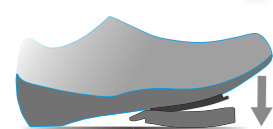




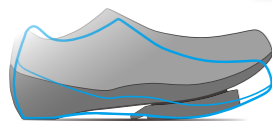
**SC-05 ROAD**



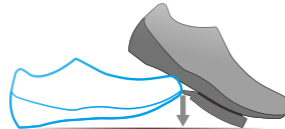
**Weight:** 58.7g/pr  
**Body:** PU  
**Color:** Blak  
**Range:** KEO System Cleat  
**Cleat:** PKEO System compatible  
**Size:** 94×71mm



More convenient to wear.



More comfortable to walk.



More rapid to take off.



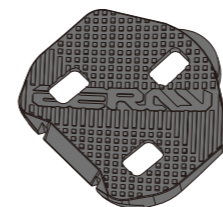
SC-03(SPД)



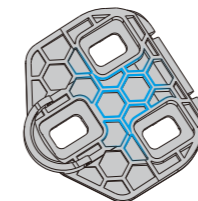
SC-06



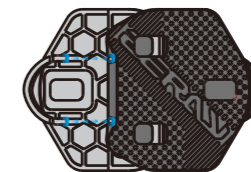
SC-00



SPD and LOOK KEO compatible.



COMB design plays the base for the stronger structure.



Tenon and Mortise Structure idea: convenient to carry.

**SC-07 ROAD**



**Weight:** 43.7g/pr  
**Body:** Nylon  
**Color:** Blak  
**Range:** LOOK & KEO  
**Size:** 70×66.6mm



ROAD-SPD free shifting



Additional function for leisure riding



**EP 110** ROAD



**Average Weight:** 230g/pcs(Size 42)  
**Color:** Black  
**Size:** 39/7 to 44/10  
**Closure:** Shoelace



**E103** MTB

**Average Weight:** 310g/pcs(Size 42)  
**Color:** Black  
**Size:** 36 to 46  
**Closure:** Shoelace



**E110** ROAD

**Average Weight:** 280g/pcs(Size 42)  
**Color:** Black  
**Size:** 36/6 to 46/12  
**Closure:** Shoelace



**EY 103** MTB

**Average Weight:** 230g/pcs(Size 42)  
**Color:** Black  
**Size:** 39/7 to 44/10  
**Closure:** Shoelace



**EY 110** ROAD

**Average Weight:** 270g/pcs(Size 42)  
**Color:** Black  
**Size:** 39 to 44  
**Closure:** 3 velcro scratch