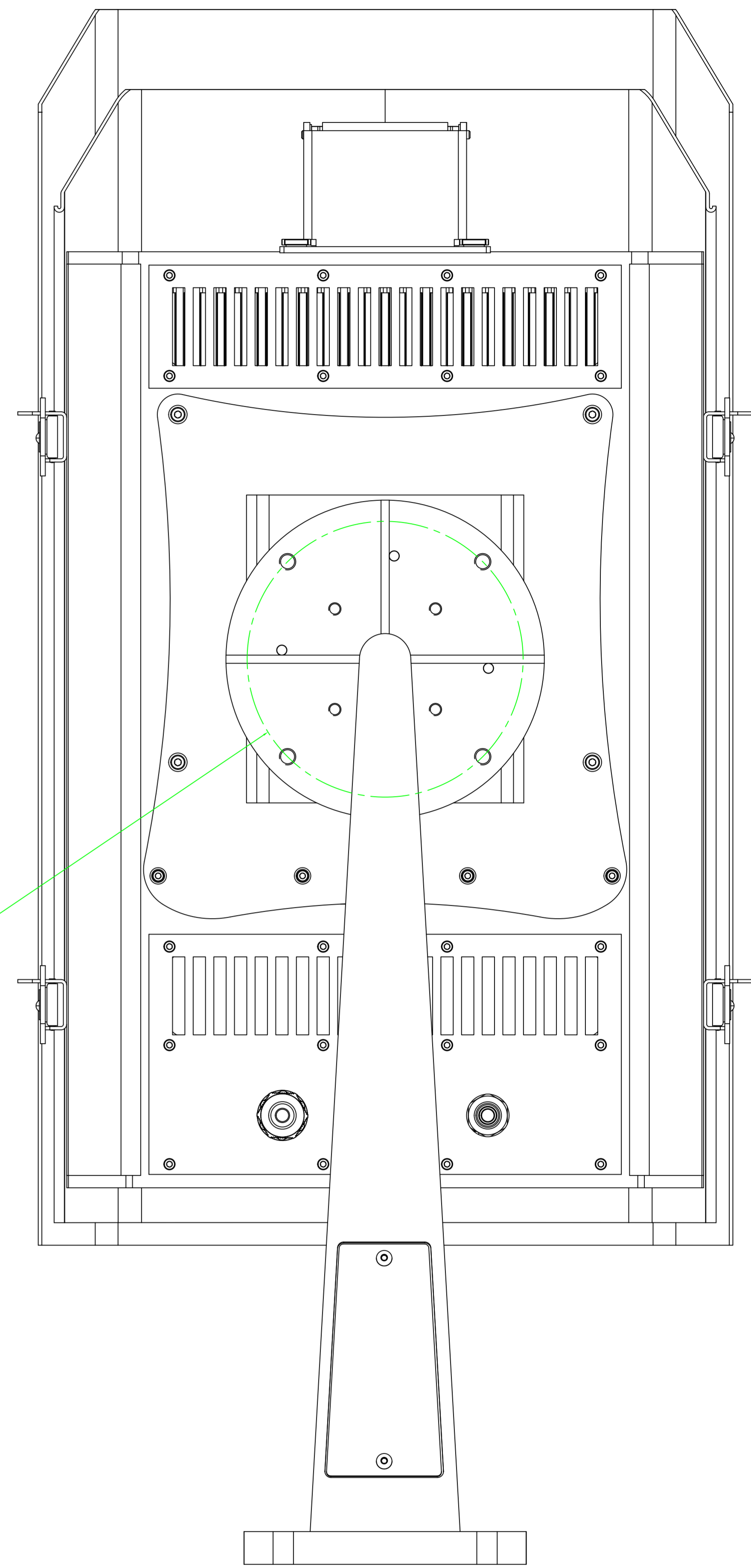


**BOTTOM VIEW**

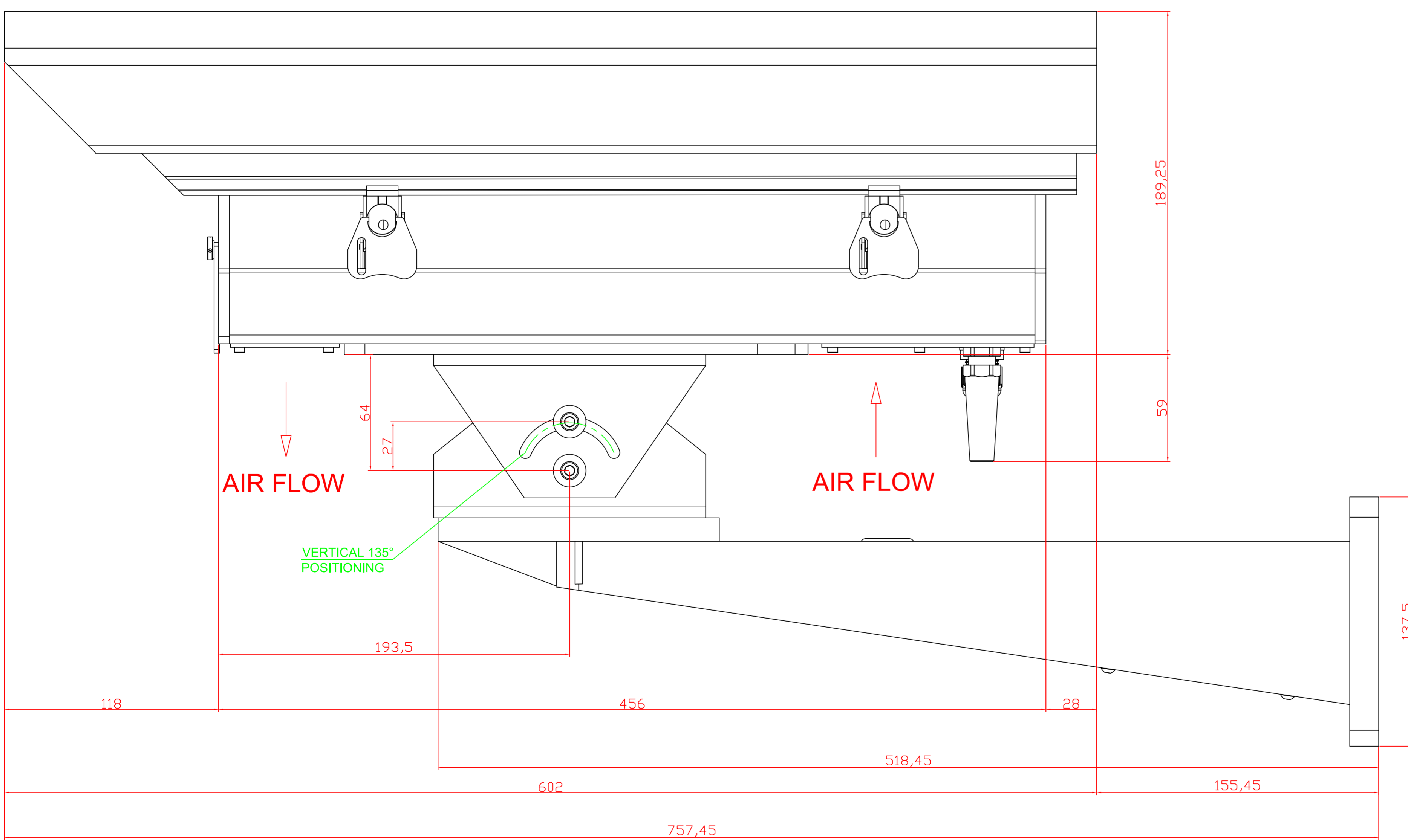


HORIZONTAL  
POSITIONING

Purple dimensions means general dimension of laser projector

Totally air flow for laser projector: 60 square meter per hour

**SIDE VIEW**



AIR FLOW

VERTICAL 135°  
POSITIONING

AIR FLOW

**FRONT VIEW**

