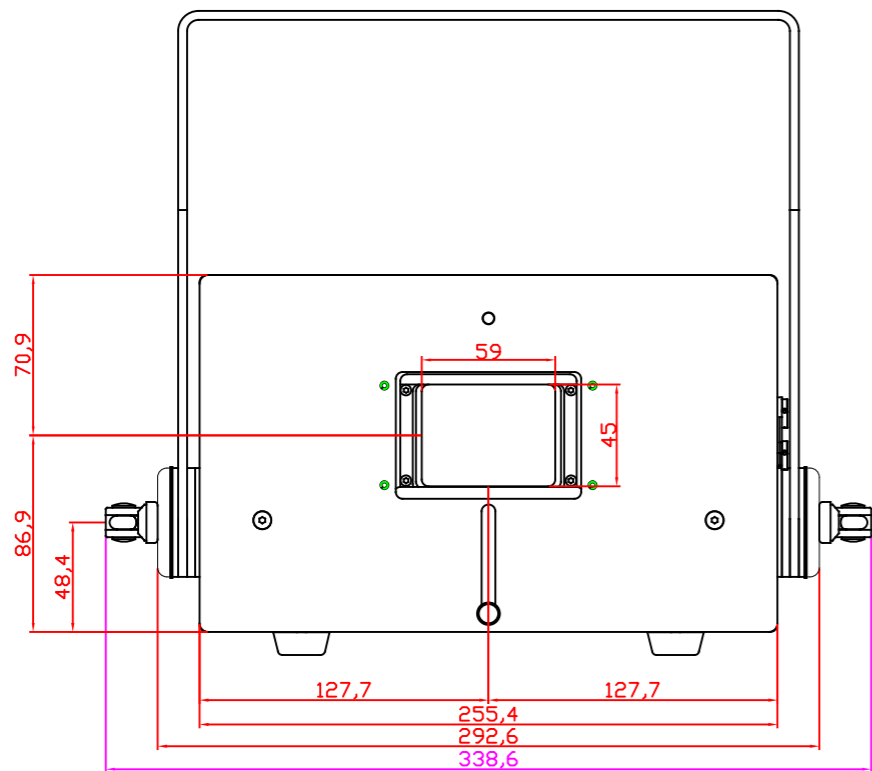
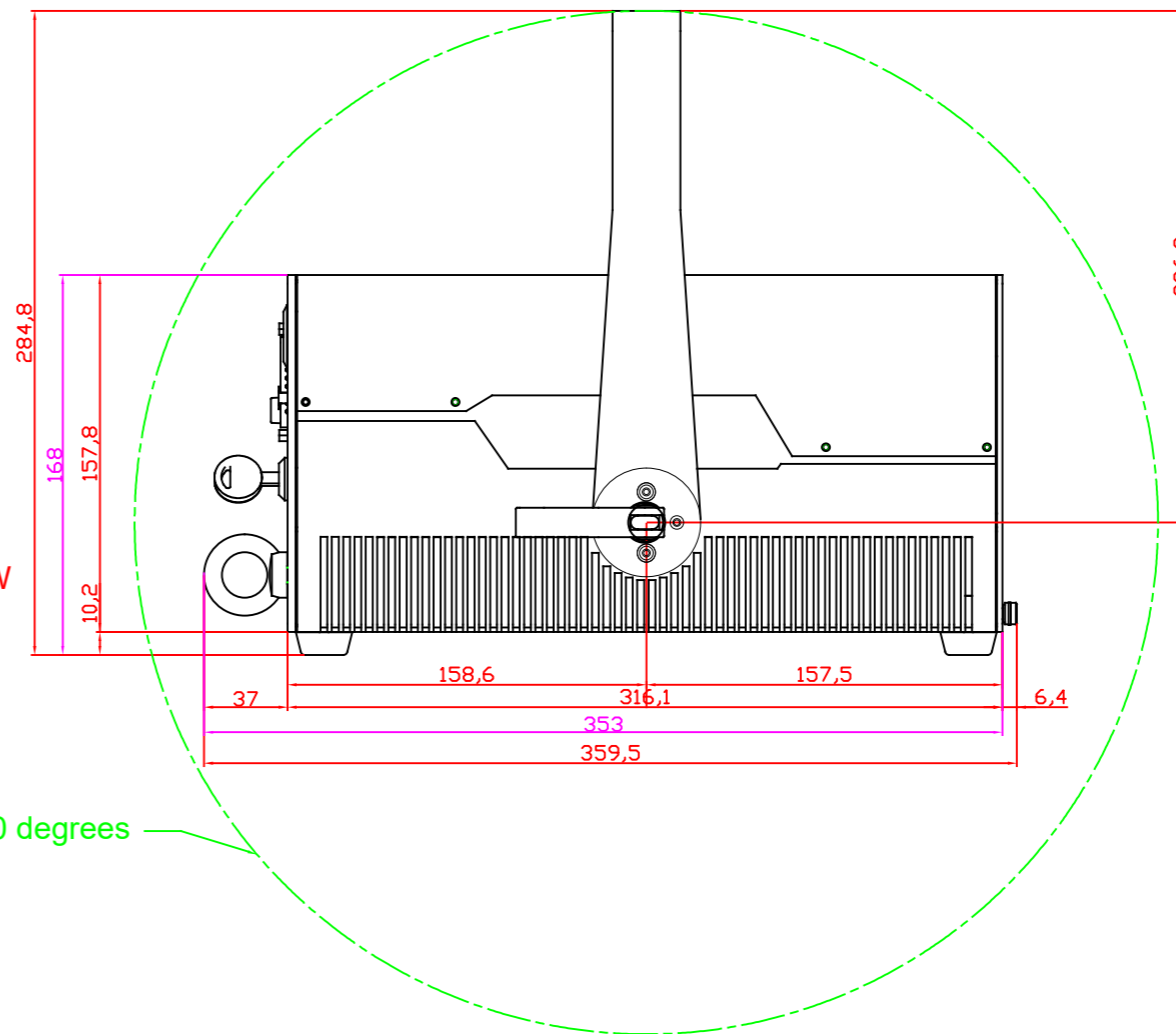


FRONT VIEW

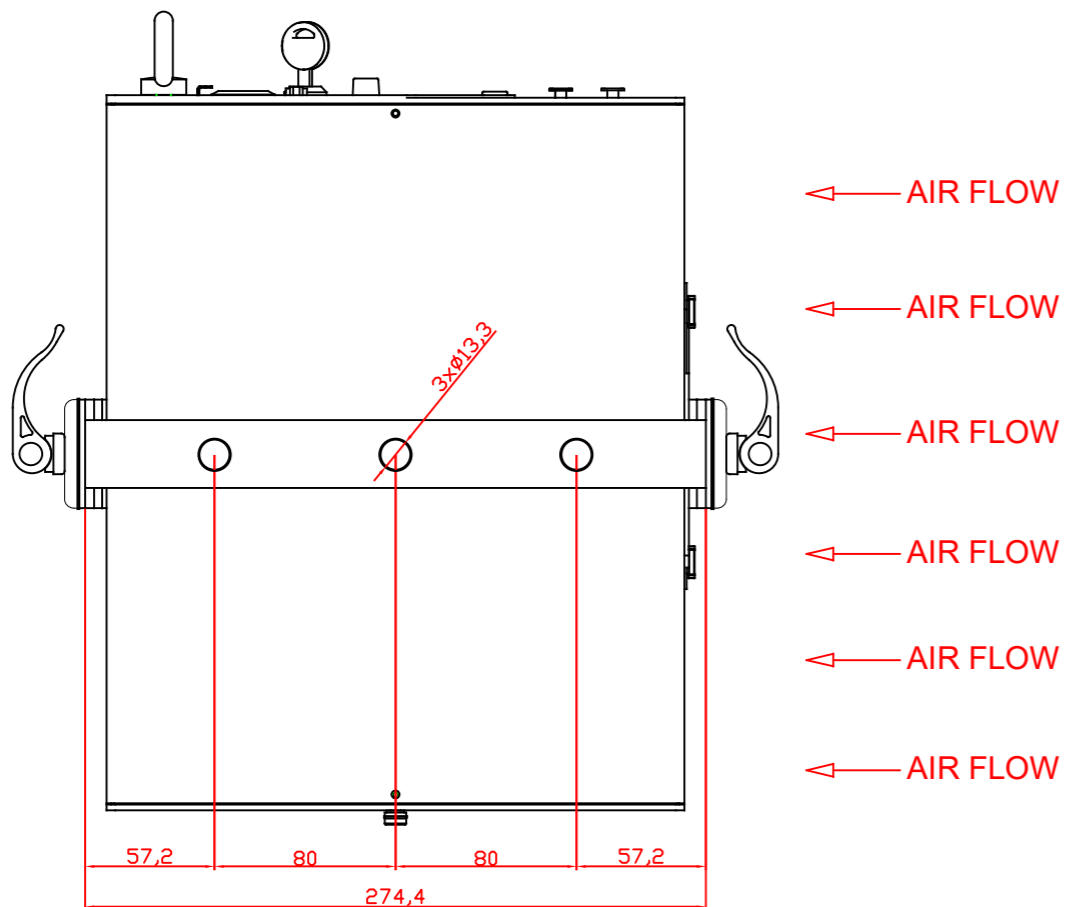


SIDE VIEW



handle fully rotatable 360 degrees

TOP VIEW



Purple: Overall dimensions, including all the fittings and extrusions; without the 360° swivel bracket

Total airflow needed for the laser projector: 60 cubic metres per hour