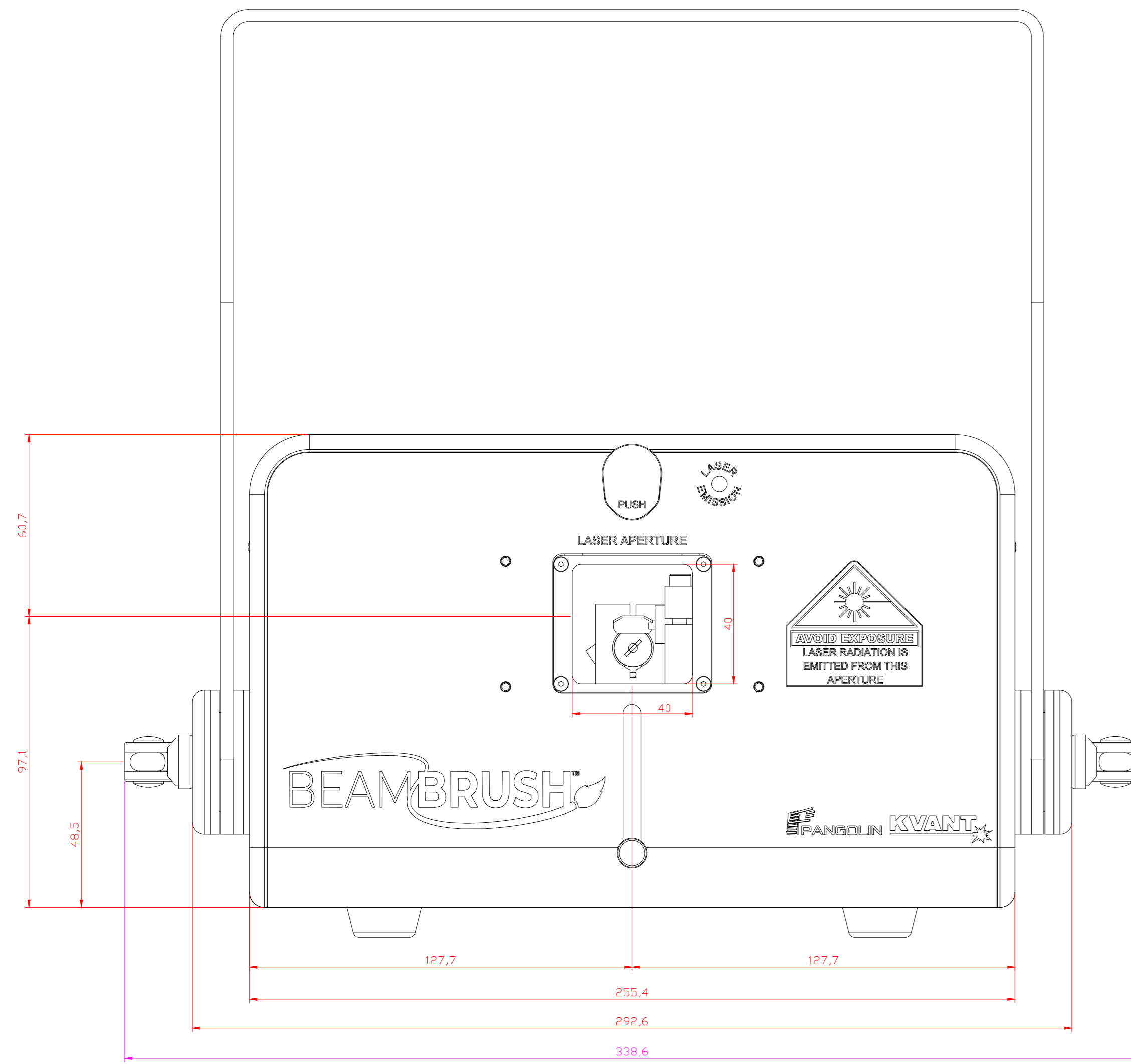
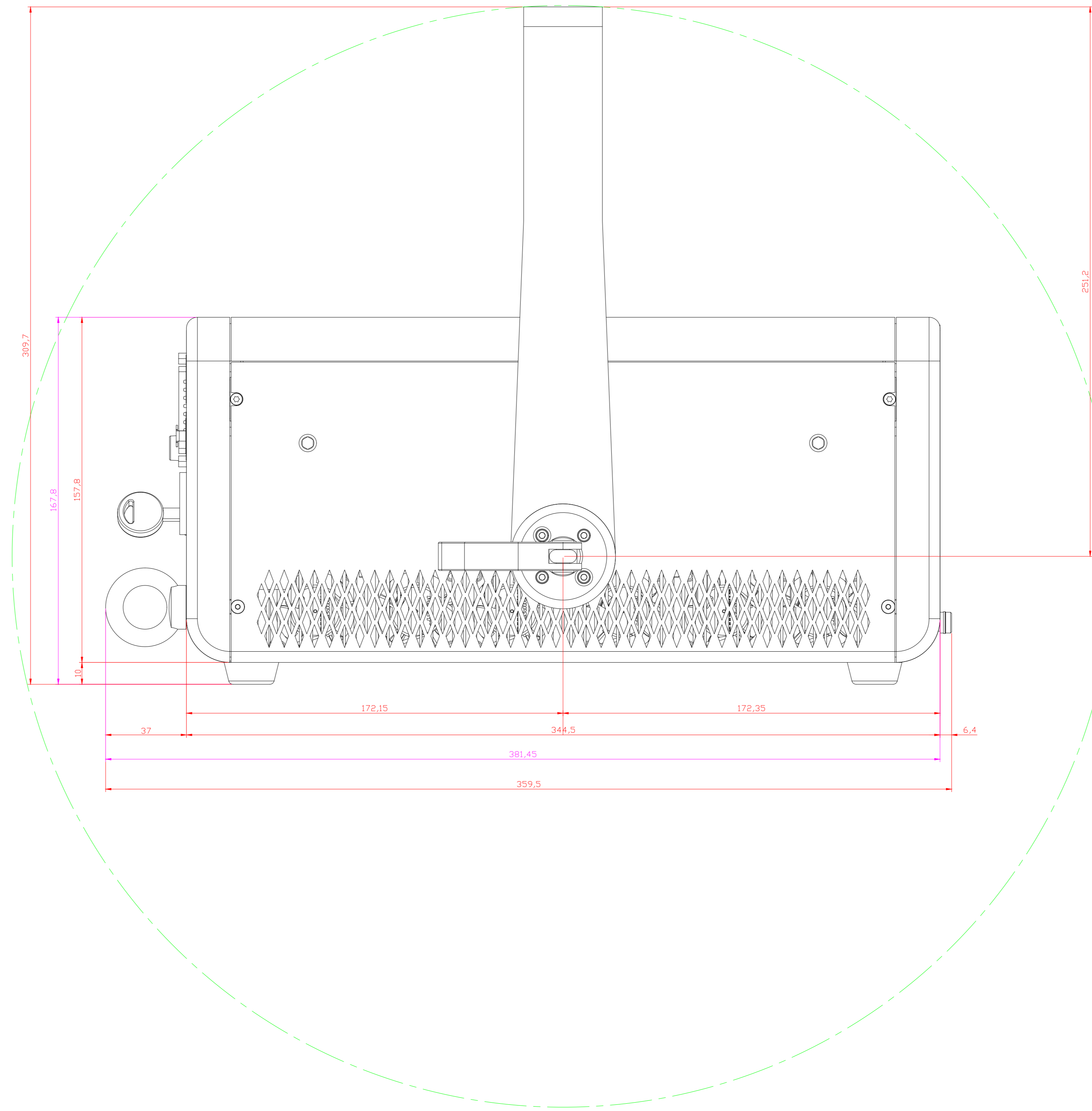


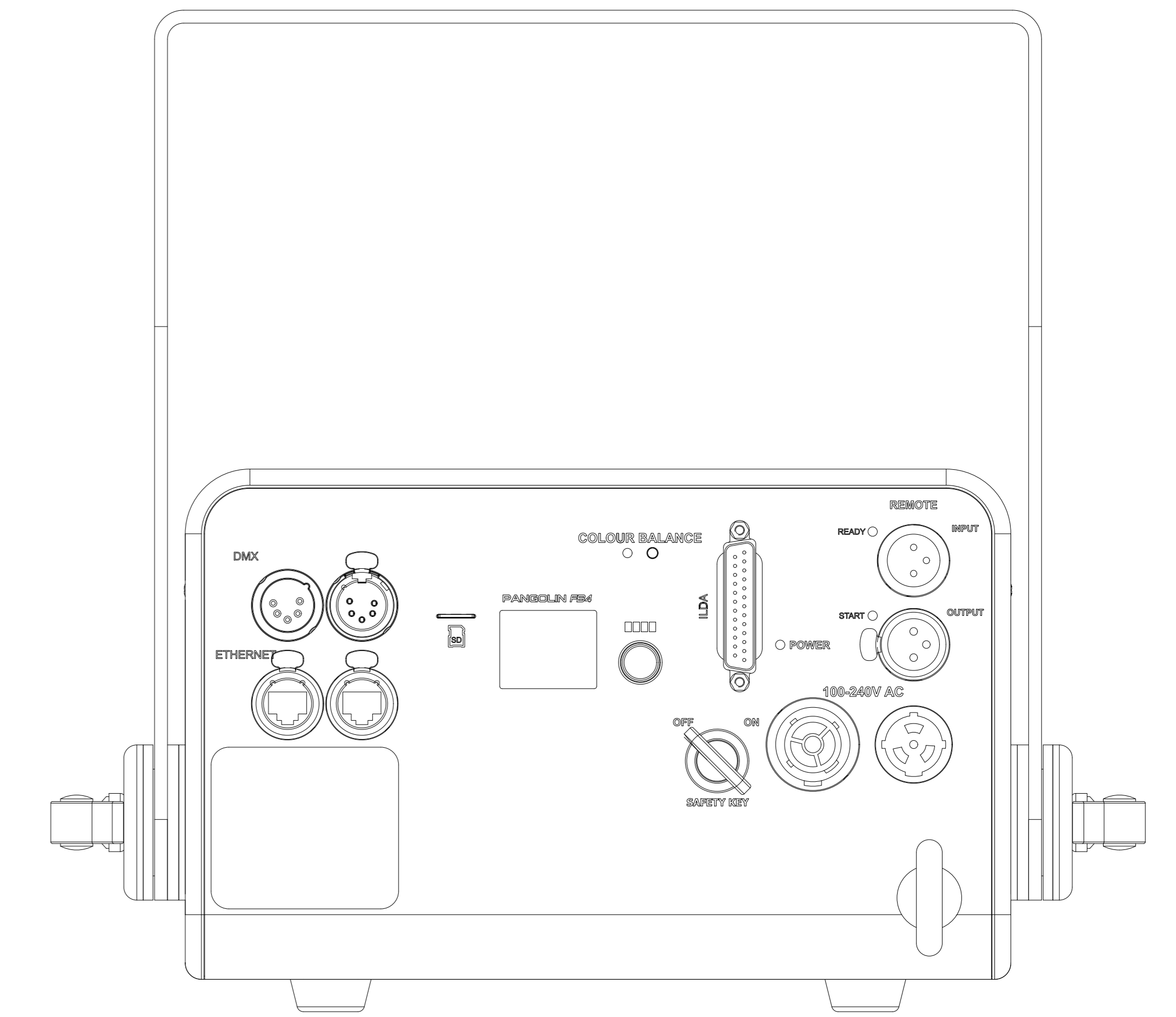
FRONT VIEW



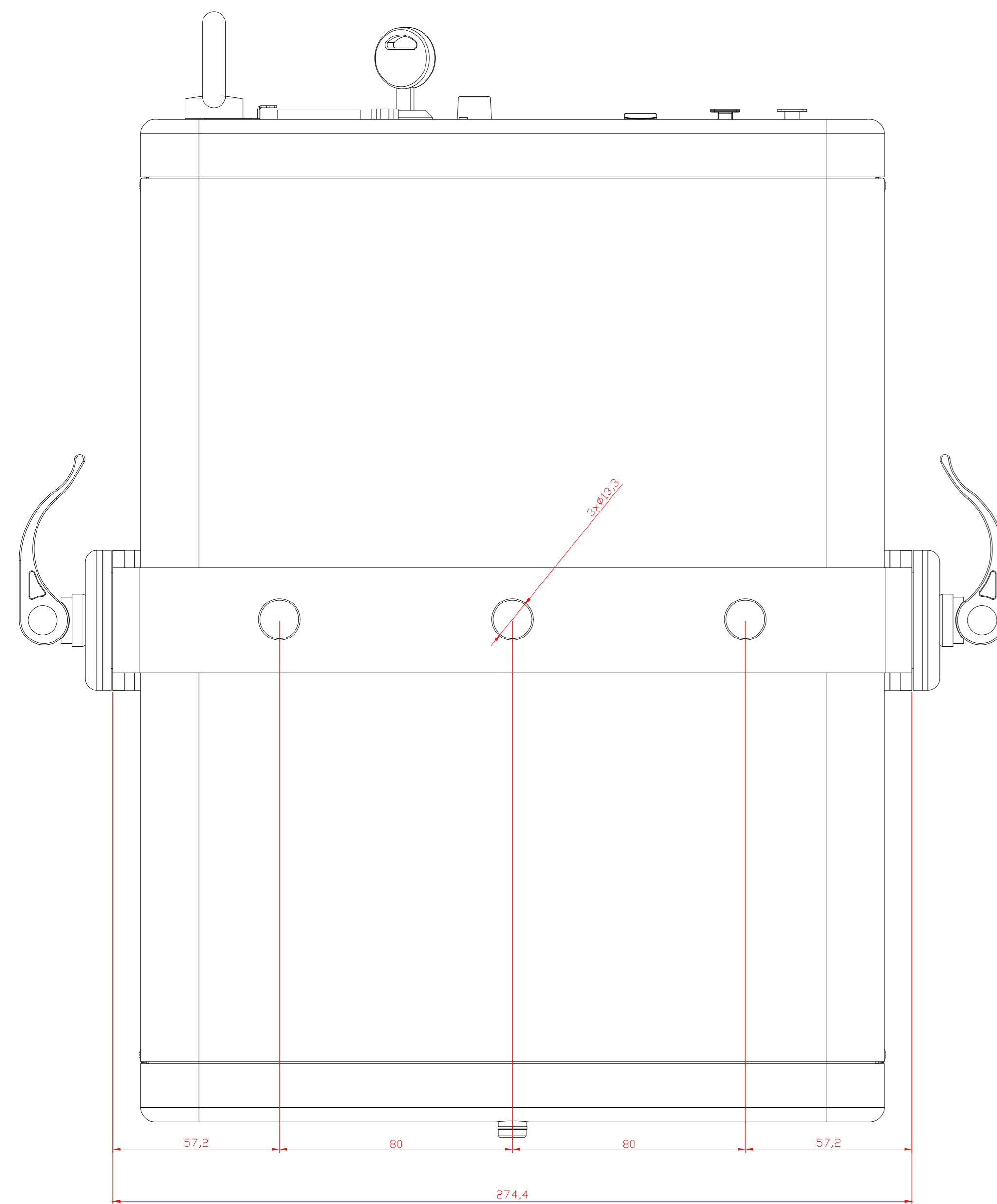
SIDE VIEW



REAR VIEW



TOP VIEW



- ← AIR FLOW
- ← AIR FLOW
- ← AIR FLOW
- ← AIR FLOW
- ← AIR FLOW
- ← AIR FLOW

General dimensions of the laser projector are highlighted in purple

Airflow required for cooling: 60 cubic meter per hour