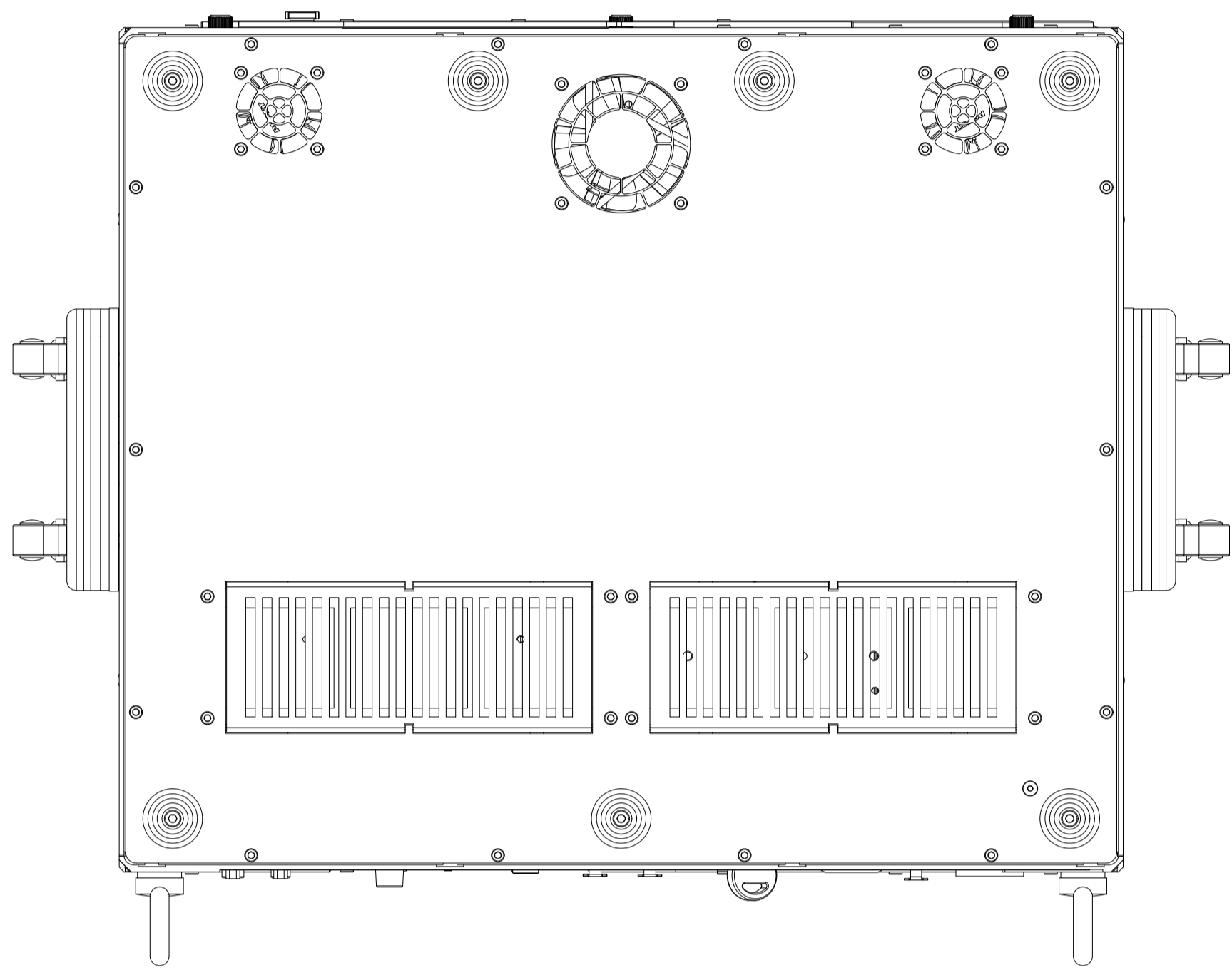
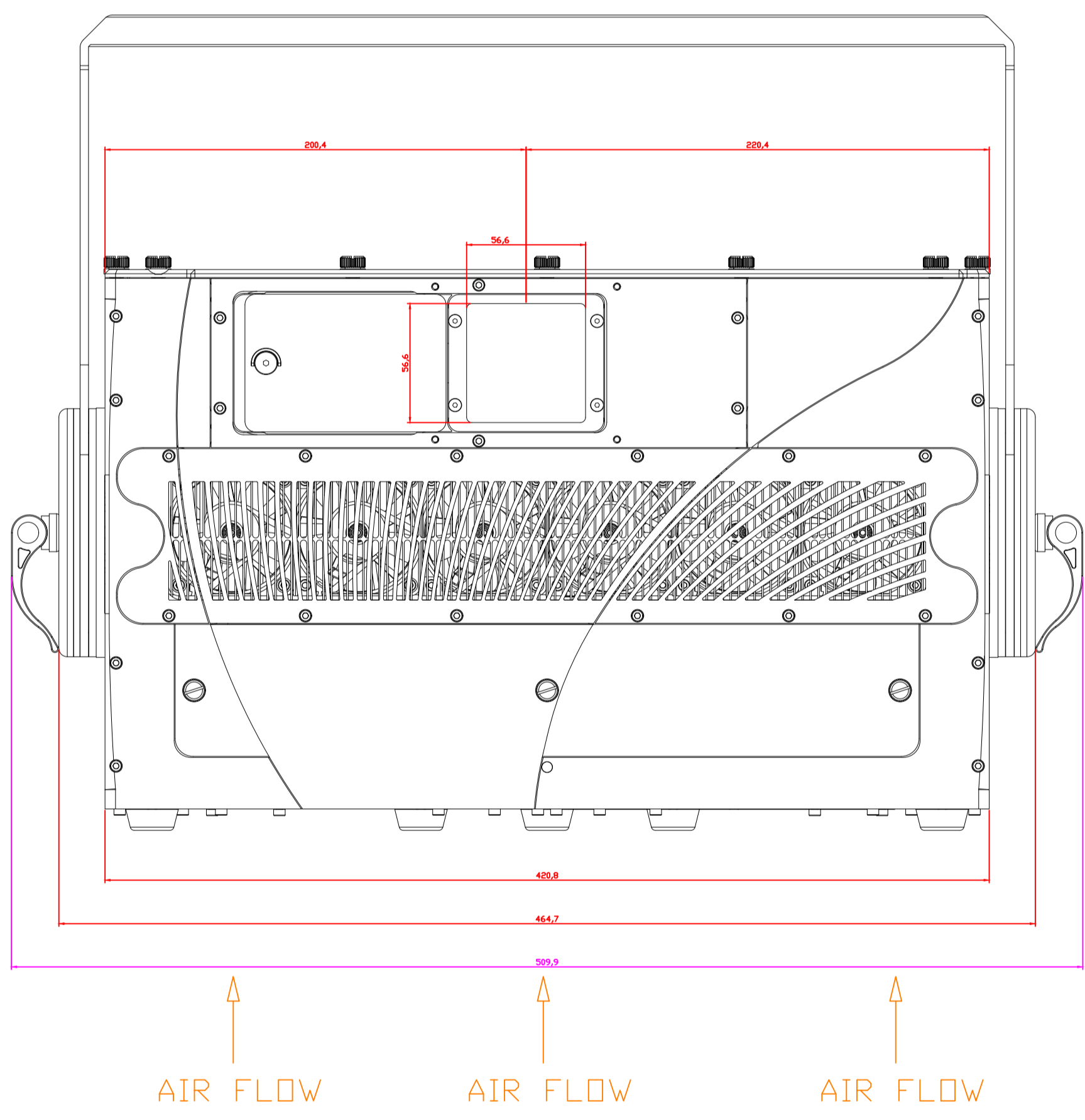


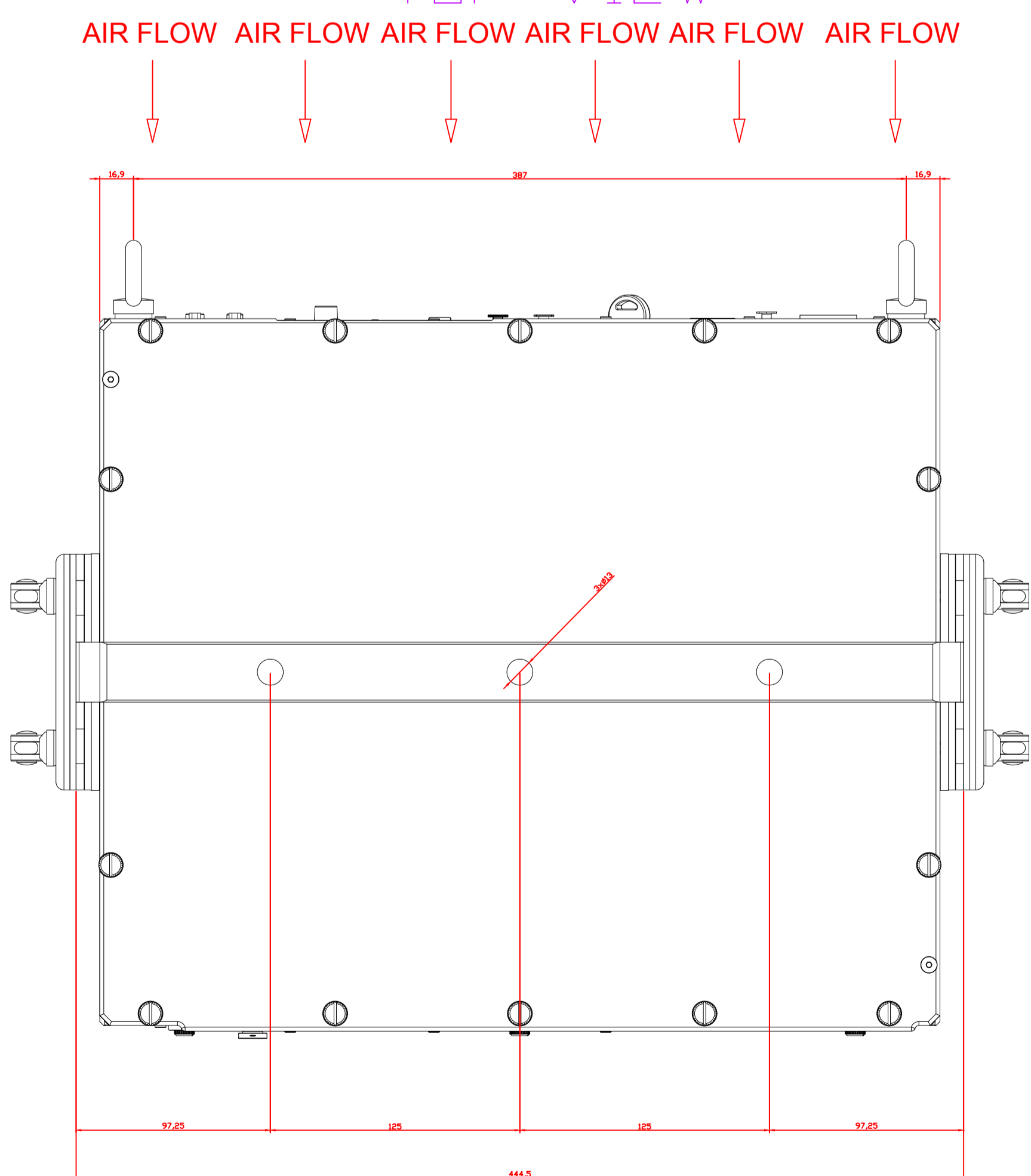
BOTTOM VIEW



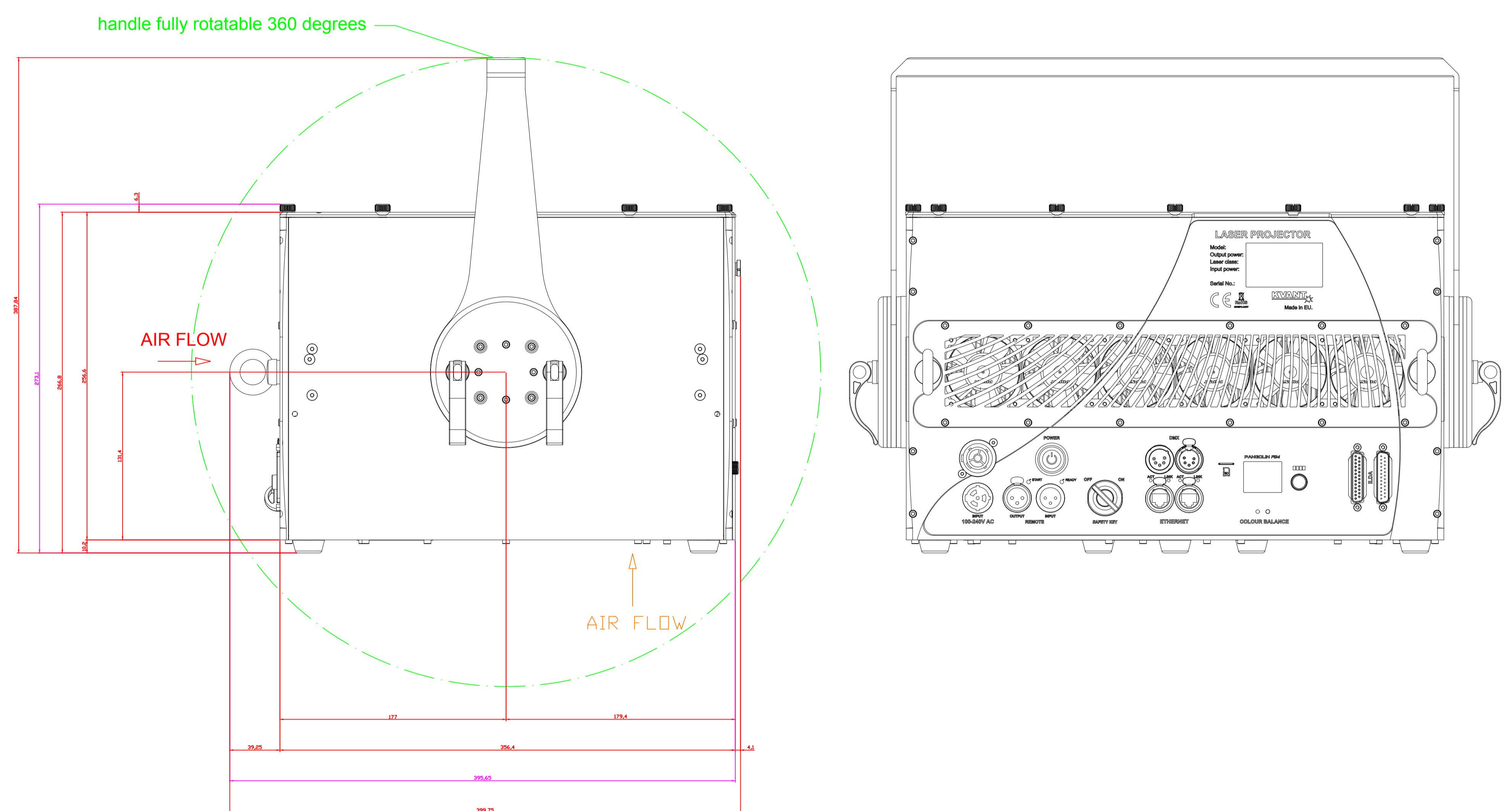
FRONT VIEW



TOP VIEW



SIDE VIEW



General dimensions of the laser projector are highlighted in purple

Airflow required for cooling electronic space: 59,7 cubic meter per hour

Airflow required for cooling of optical space: 348 cubic meter per hour

Total airflow required for cooling: 407,7 cubic meter per hour