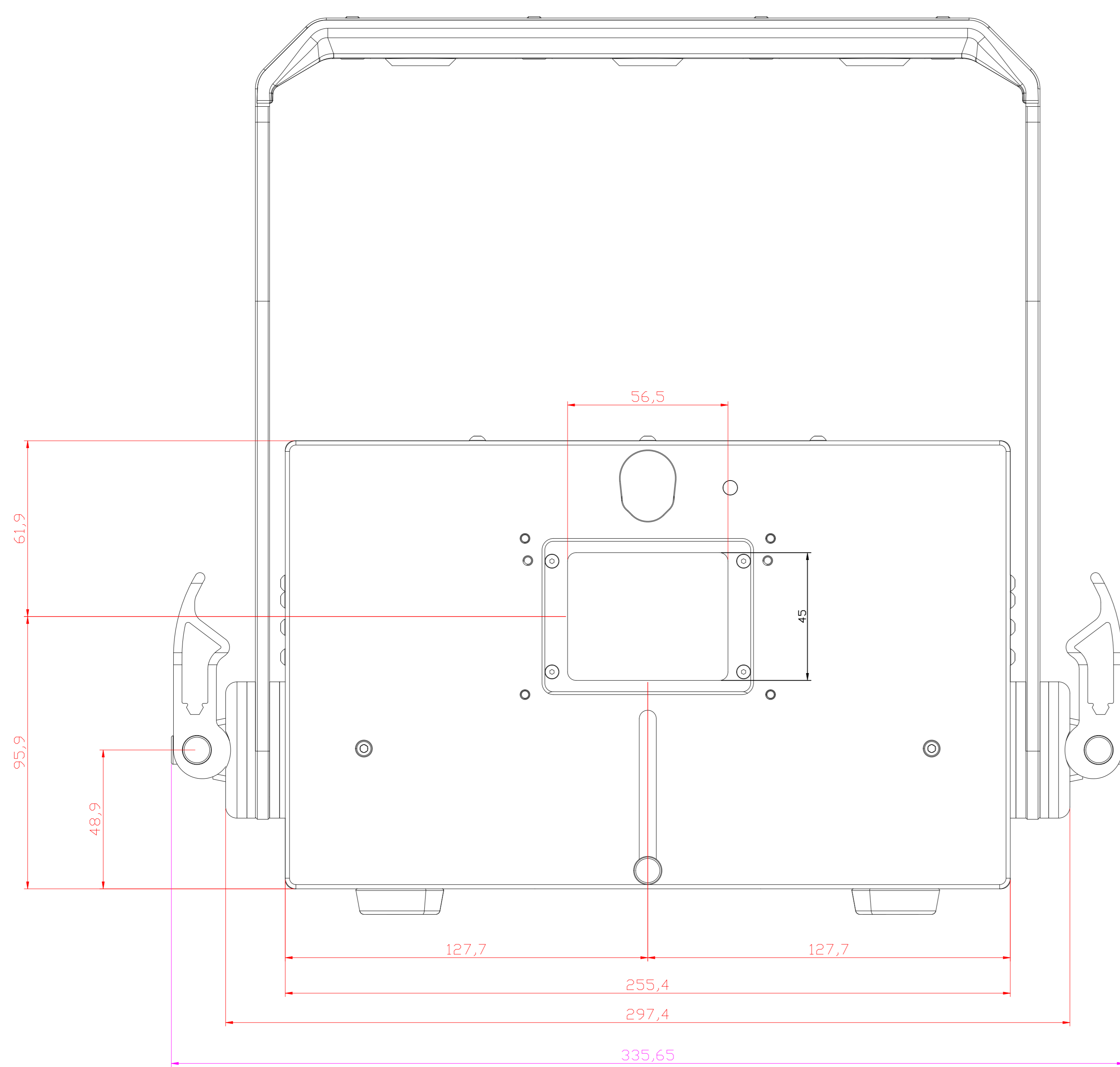
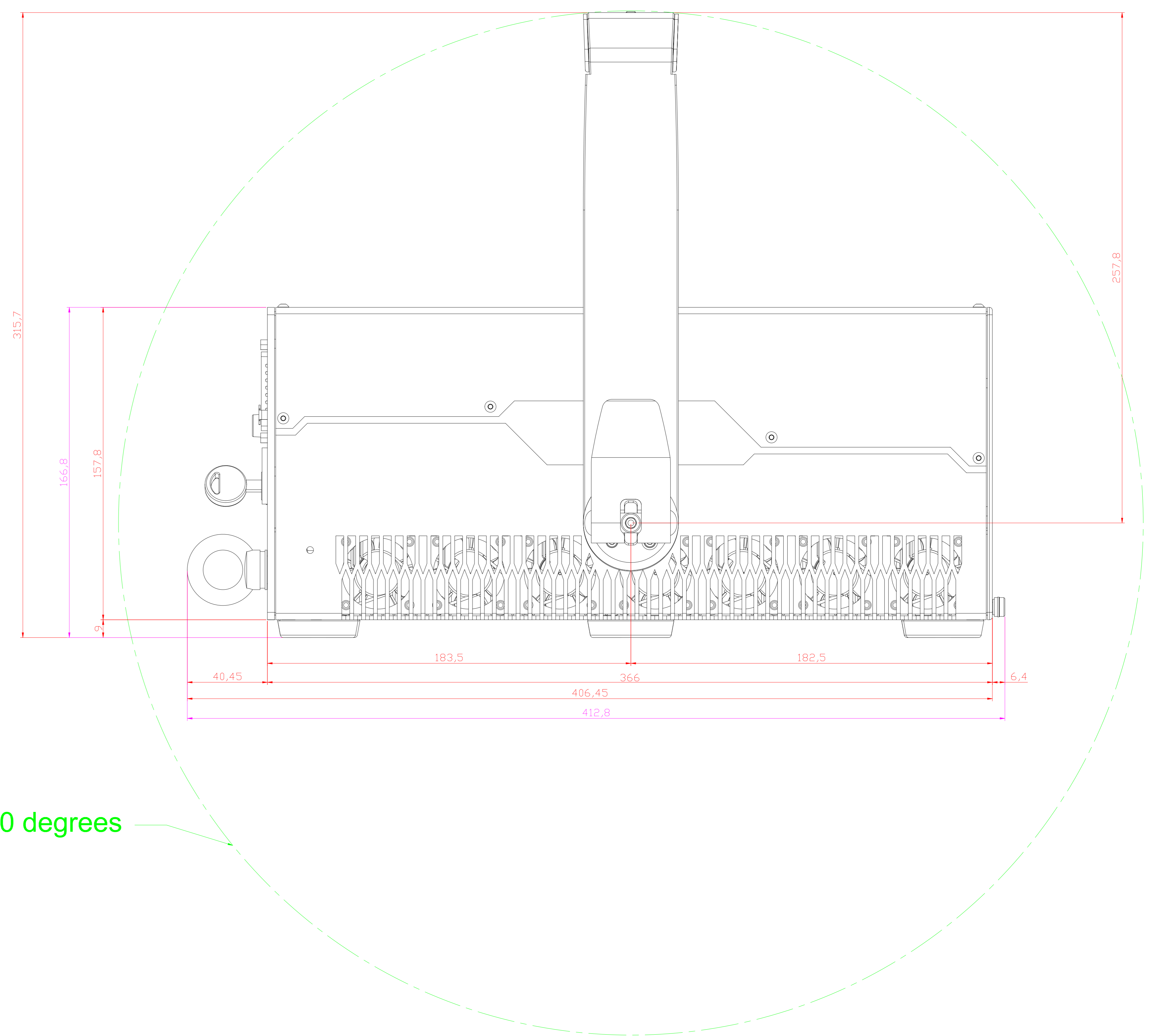


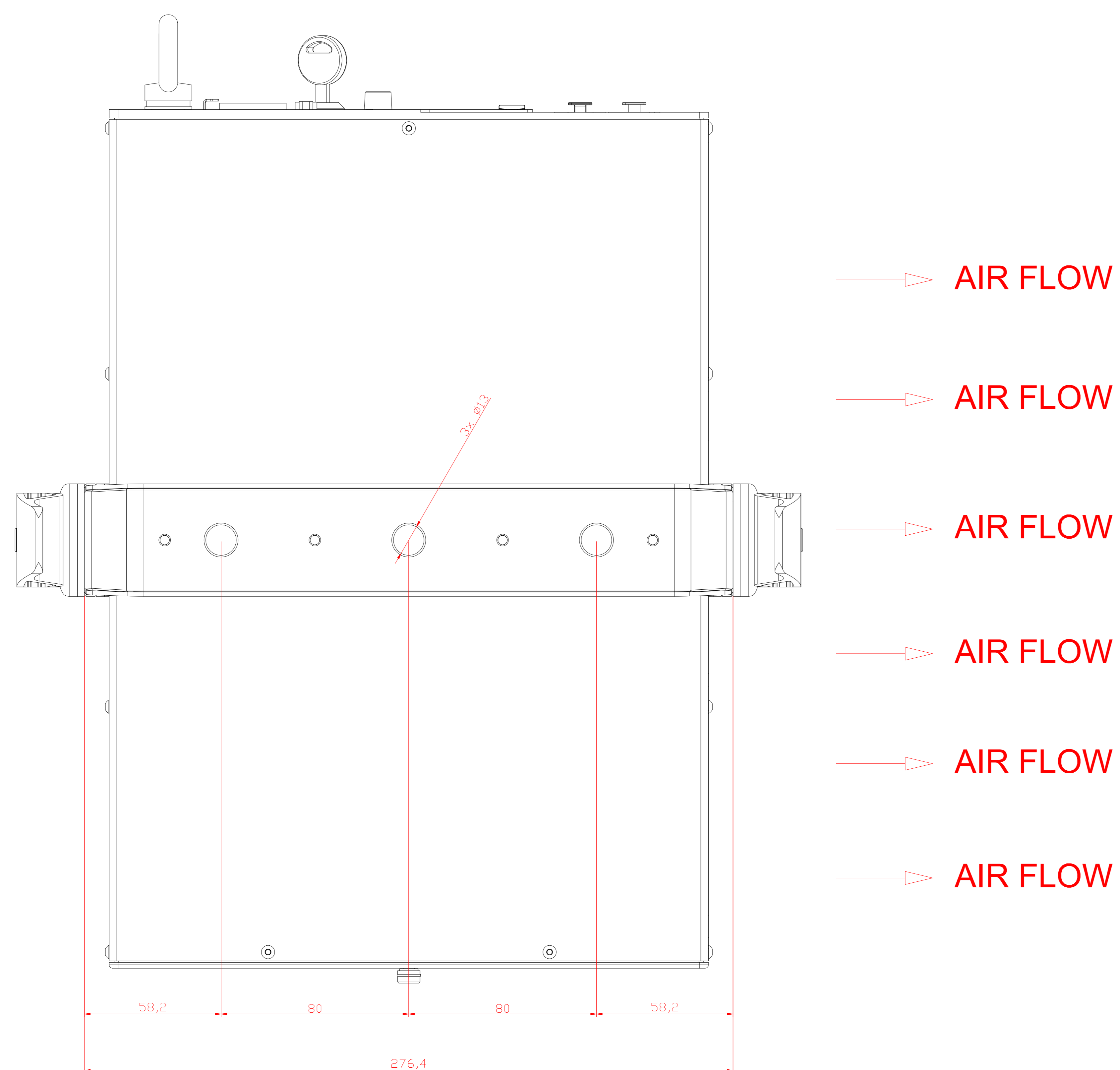
FRONT VIEW



SIDE VIEW



TOP VIEW



Overall dimensions, including all the fittings and extrusions; without 360° swivel bracket

Total airflow needed for the laser projector: 70 cubic metres per hour