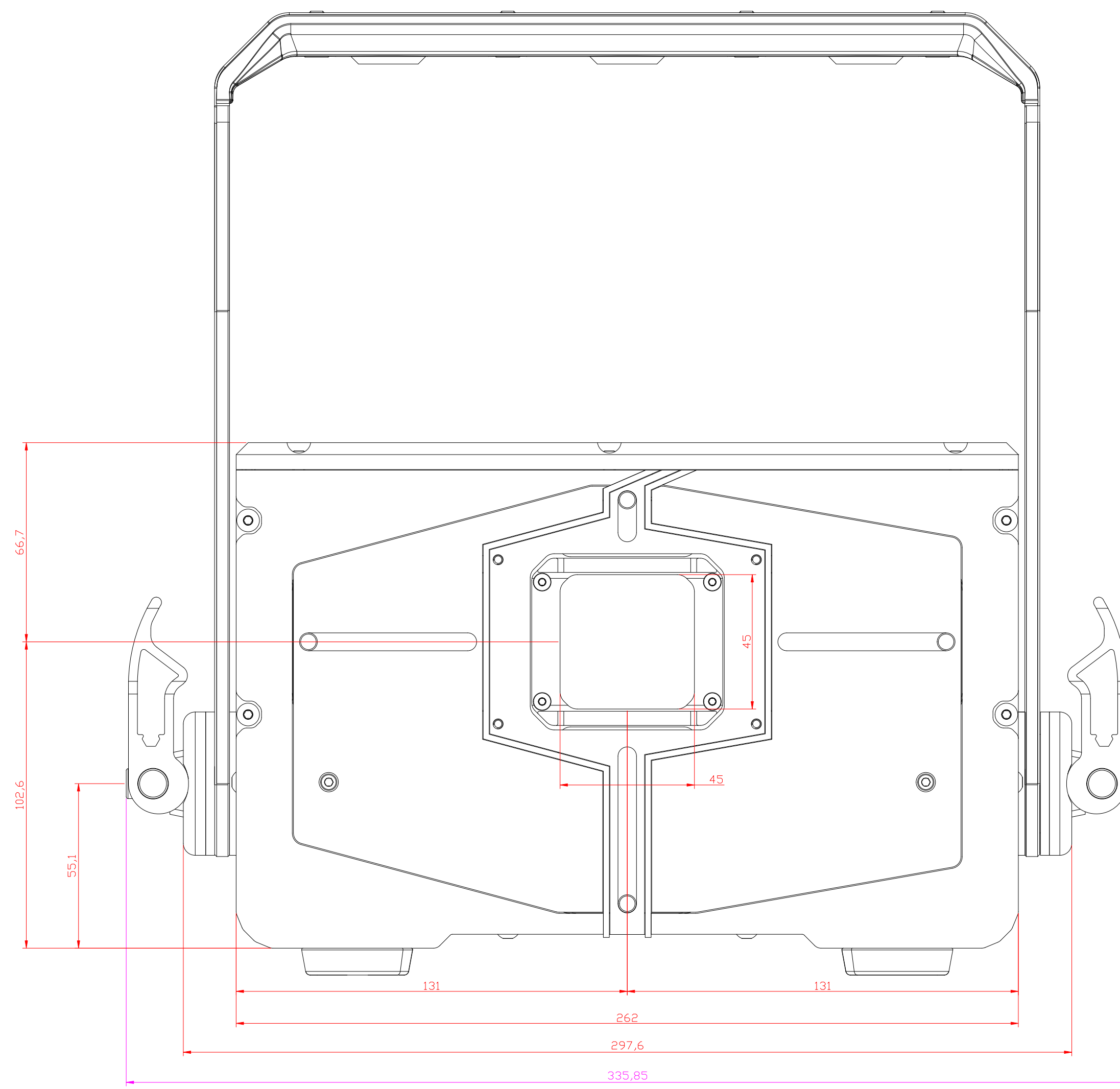
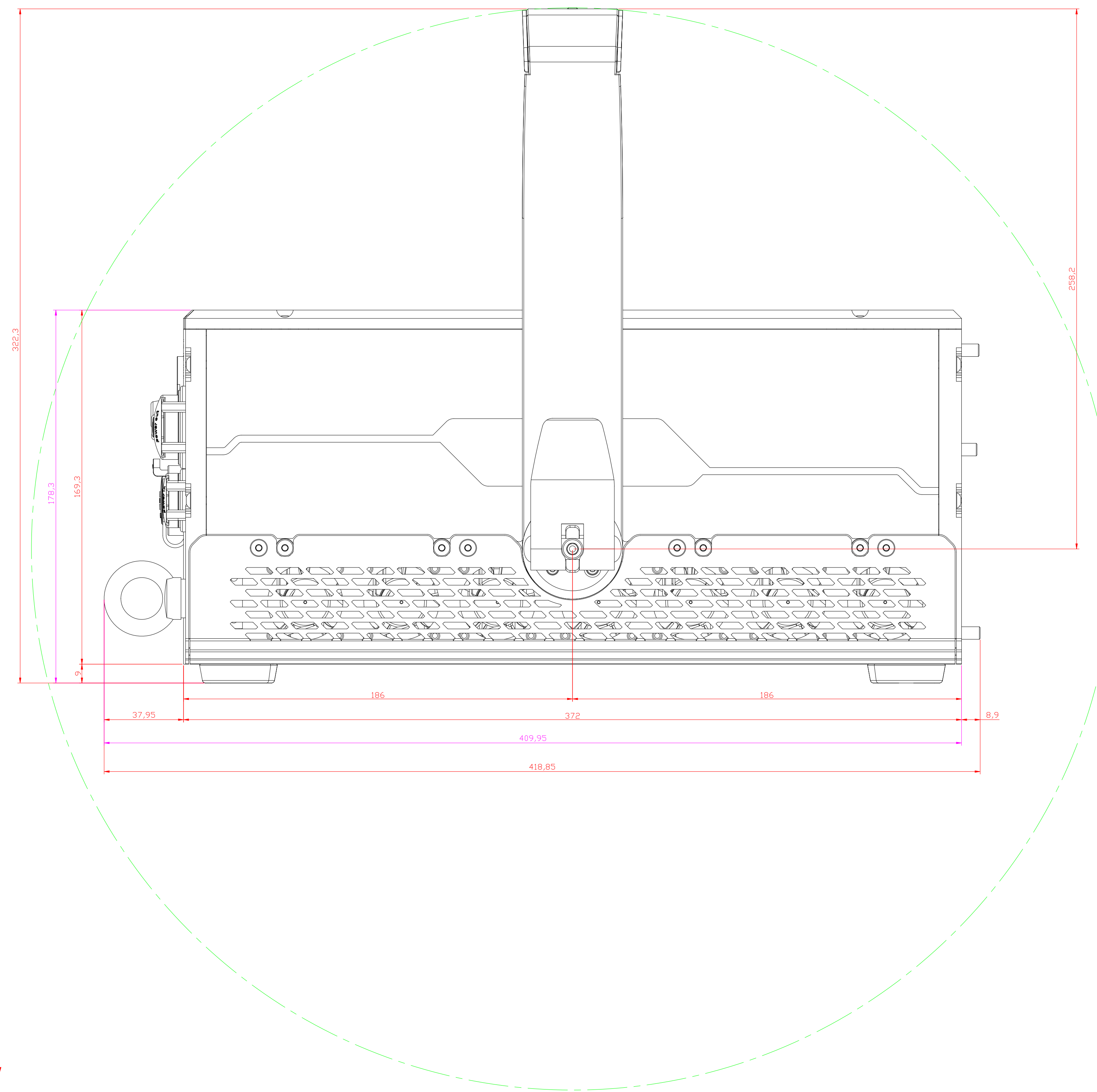


FRONT VIEW

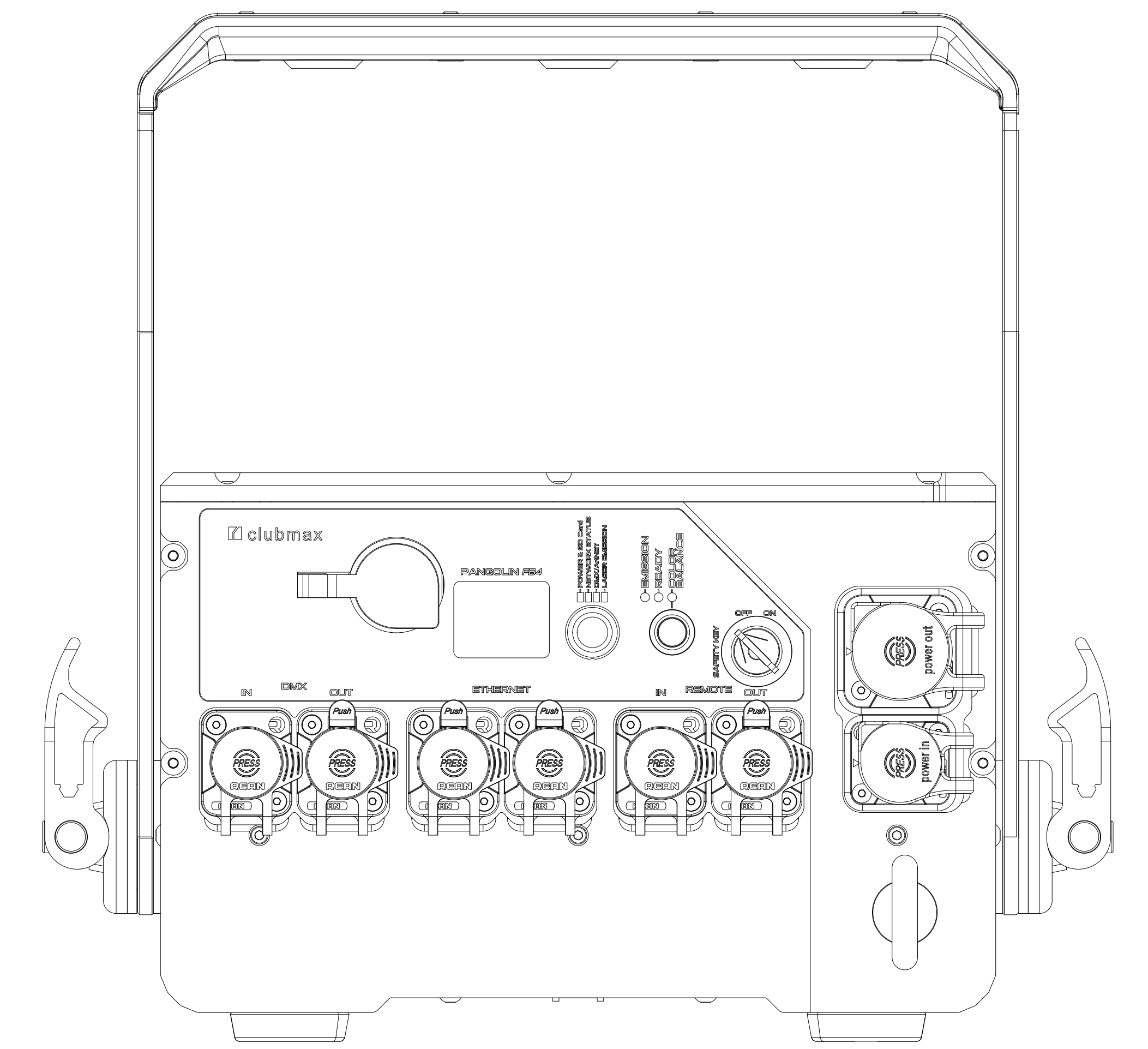


← AIR FLOW

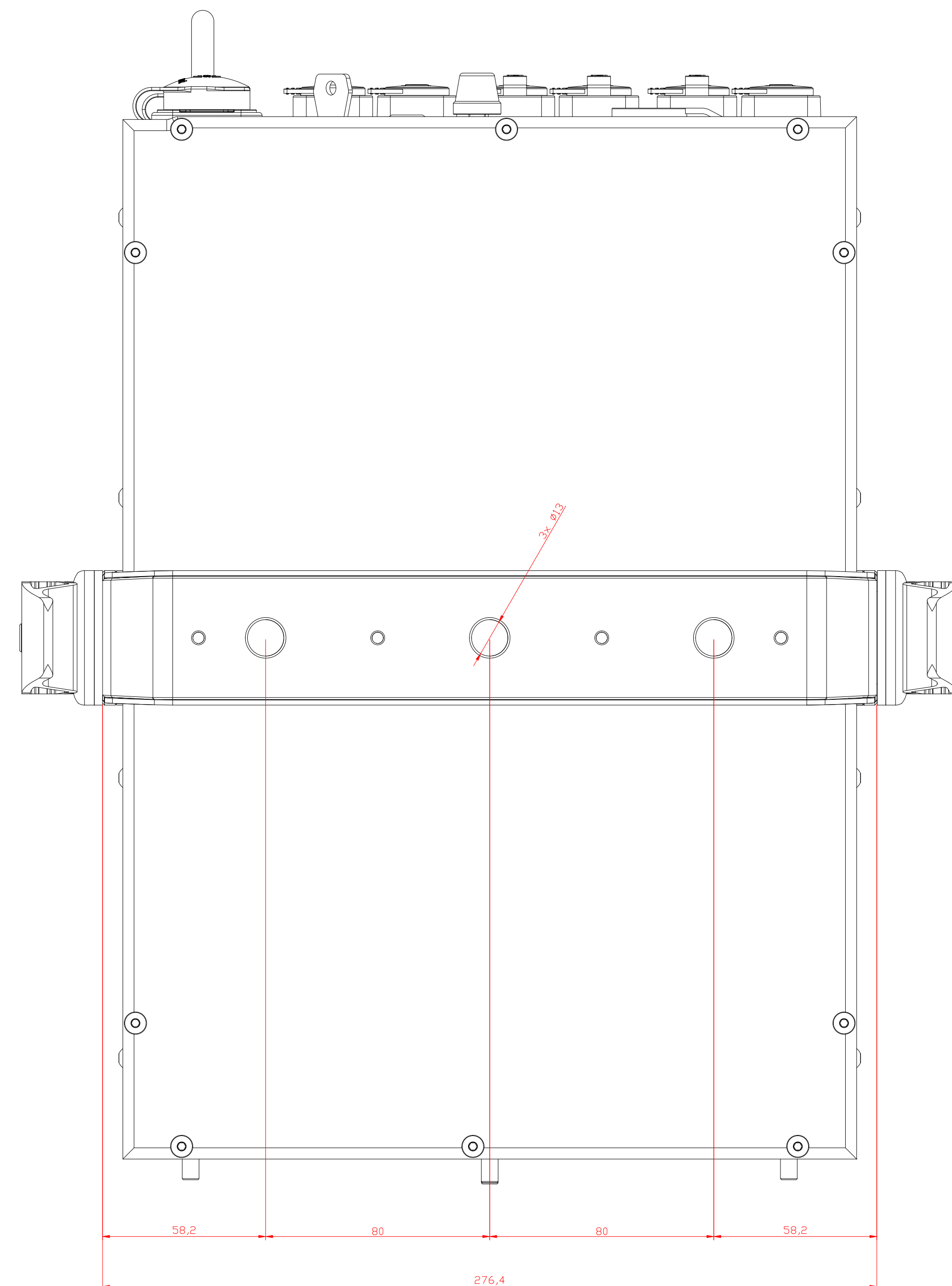
SIDE VIEW



REAR VIEW



TOP VIEW



← AIR FLOW

← AIR FLOW

← AIR FLOW

← AIR FLOW

← AIR FLOW

← AIR FLOW

General dimensions of the laser projector are highlighted in purple

Airflow required for cooling: 91 cubic meter per hour