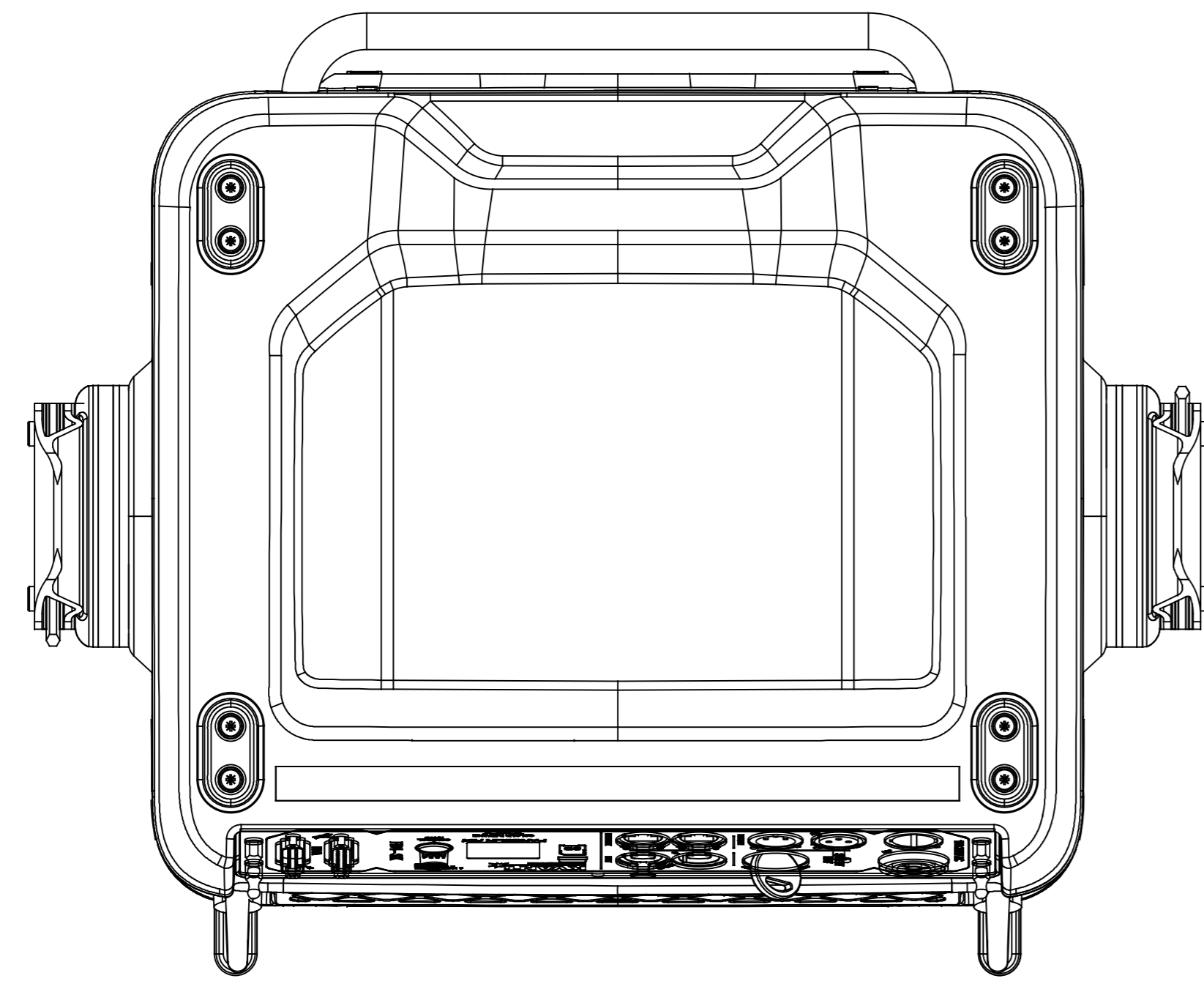
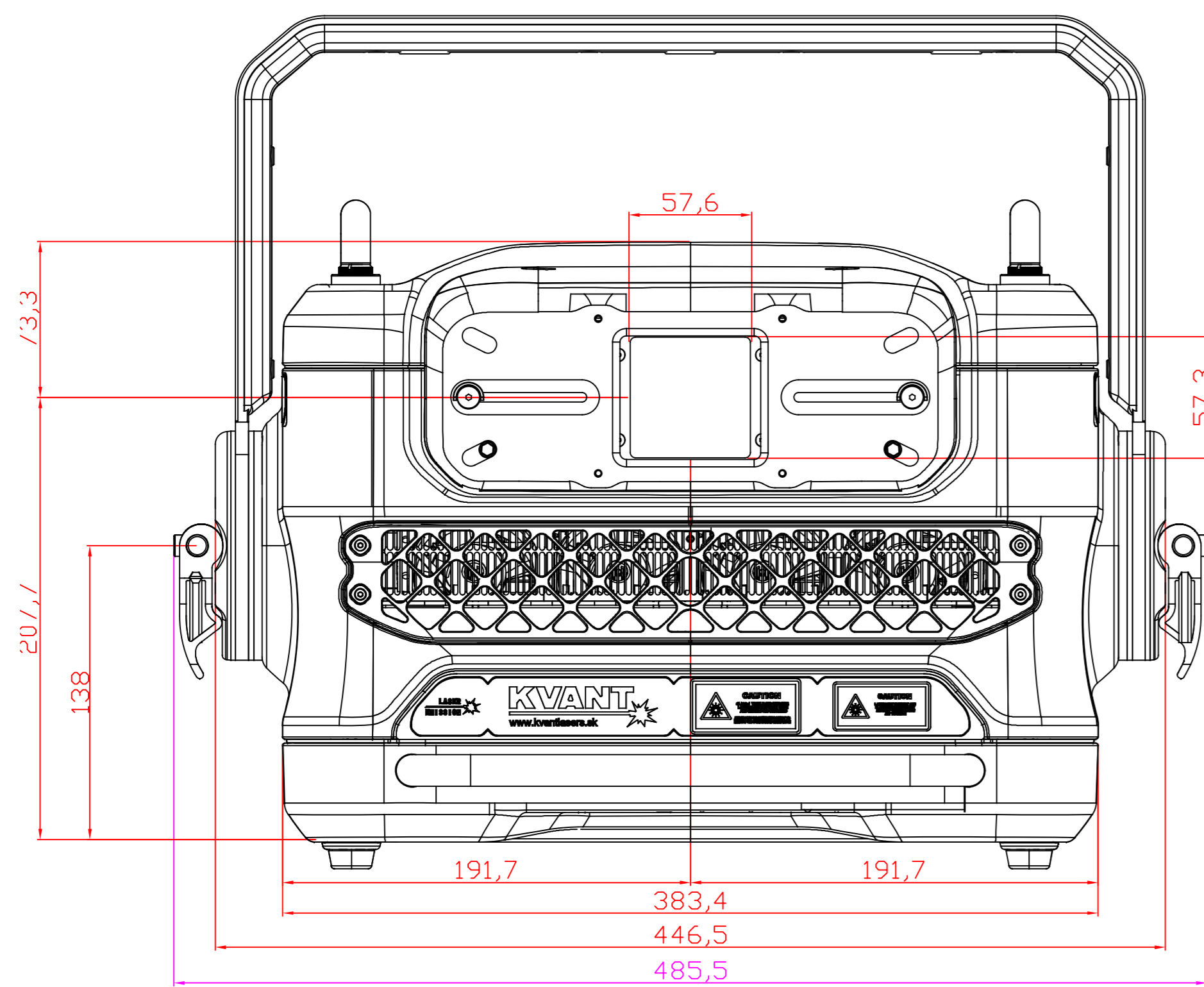


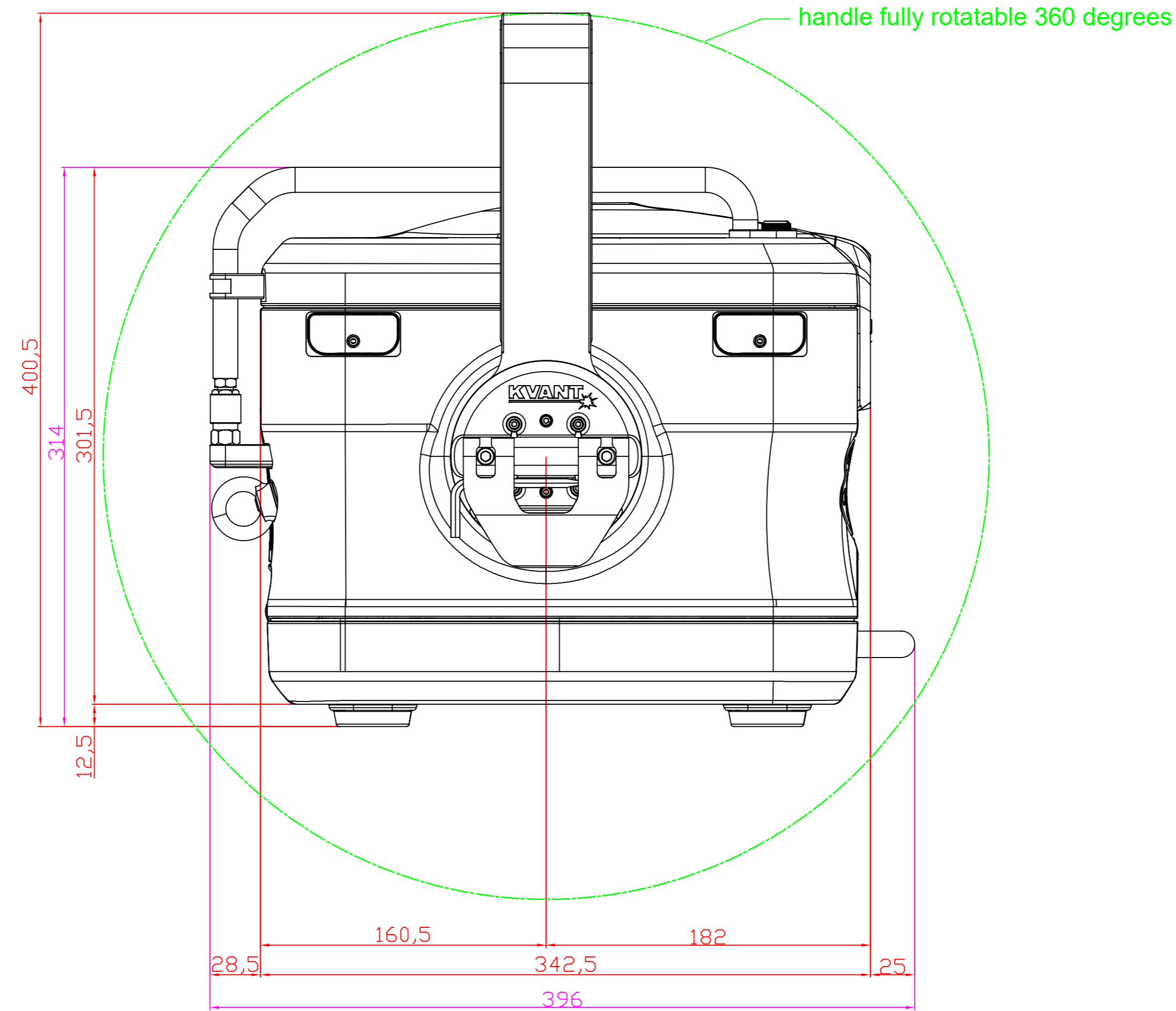
BOTTOM VIEW



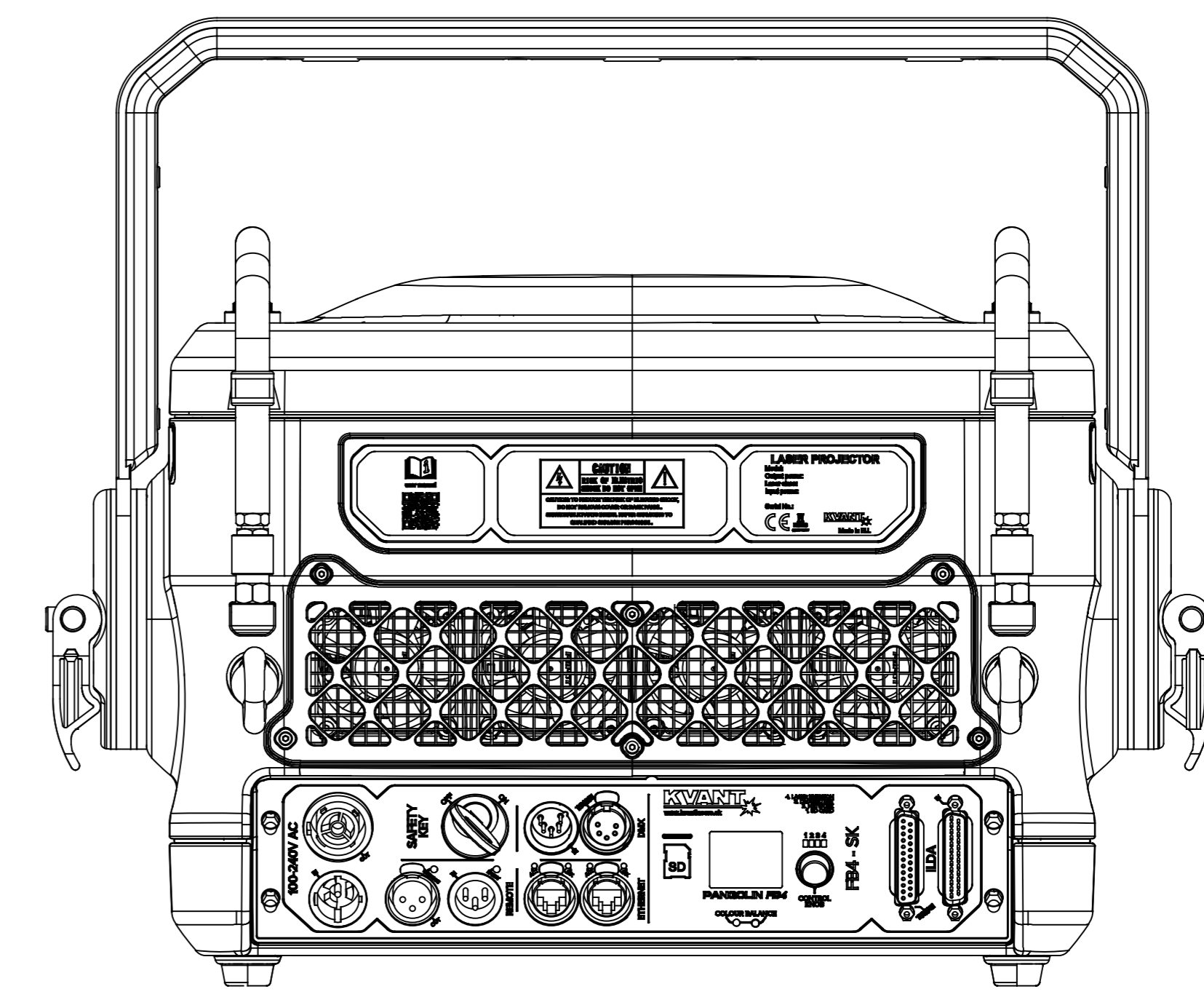
FRONT VIEW



SIDE VIEW

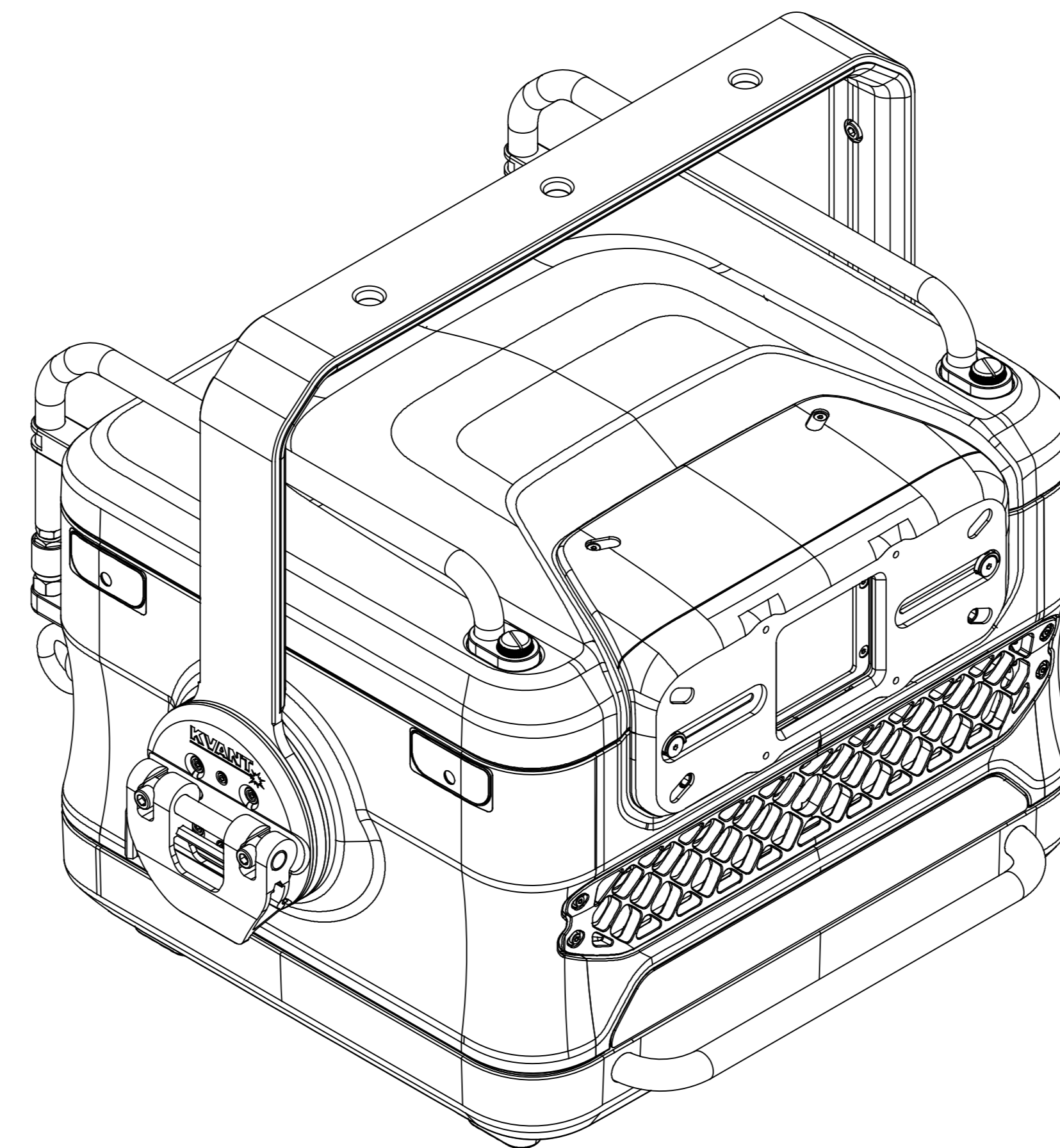
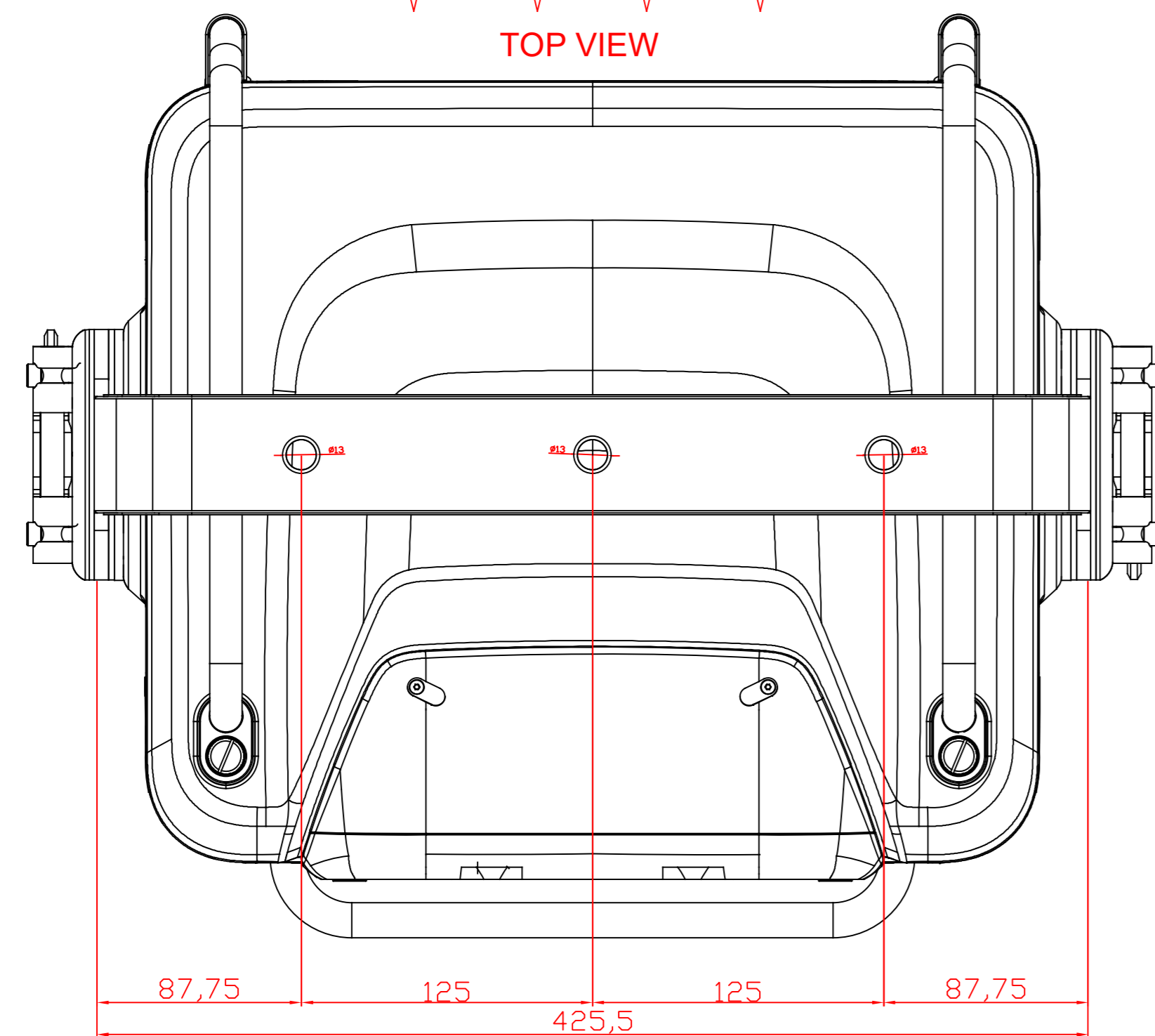


REAR VIEW



AIR FLOW
AIR FLOW
AIR FLOW
AIR FLOW

TOP VIEW



Purple: Overall dimensions, including all the fittings and extrusions; without the 360° swivel bracket

Total airflow needed for the laser projector: 232 cubic metres per hour