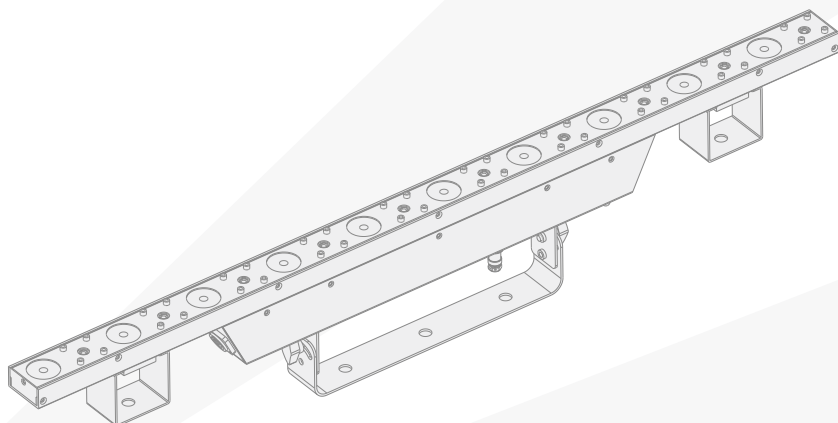


LL-BARS USER MANUAL



Version 1.0



Unpacking Instructions

Read Manual before Operation

Dear user,

Thanks for choosing our LED device, believing this brand new product will bring you unlimited marvel and happiness. Before operating this device, please read this manual thoroughly, and retain it for future reference.

Warning Data

Please note the warnings in bold which will ensure the safe and smooth operation. These warnings are important to a certain extent.



Attention! Indicates a skill or other useful information for special situations.



Important! Indicates important information to protect personnel from incident or injury.



Caution! Prevent damage or injury from incorrect operation.

Warning!

If the external flexible cable or cord of this luminaire is damaged, it shall be replaced by a special cord or cord exclusively available from the manufacturer or his service agent. Shields, lenses or ultraviolet screens shall be changed if they have become visibly damaged to such an extent that their effectiveness is impaired, for example by cracks or deep scratches.

The lamps shall be changed if it has become damaged or thermally deformed.

Unpacking Instructions

As receiving a fixture, carefully unpacking the carton, checking contents to ensure that all parts are in good condition. Informing the shipper immediately and retaining packing material for inspection if any parts damaged from shipping or device damaged. Keeping packing materials as evidence for shipper's confirmation.



Attention!




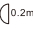
This unit is in perfect condition before delivery, please check all accessories when unpacking the unit. User should follow this user manual to operate this unit, and make sure that you are clear on all laser safety information and unit operation before power it on. Any wrong operation will make this unit out of warranty.

Carefully moving after receiving it, checking whether there is any damage from shipping, and all the accessories in it.

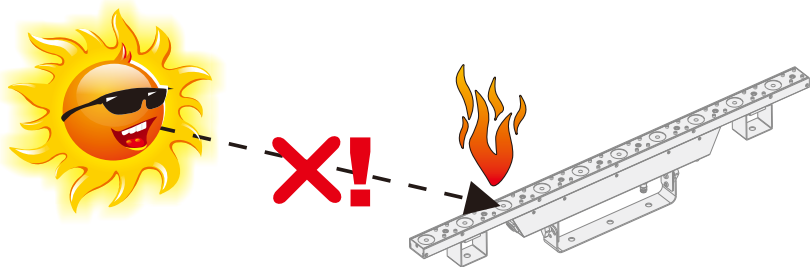
NAME	QTY
LED system	1
Power Cord	1
User manual	1
Packing Case	1

Safety Instructions

Safety Instructions


-  To protect the environment, please try to recycle the packing material as much as possible.
-  The projector is for indoor use only, IP20. Use only in dry locations. Keep this device away from rain and moisture, excessive heat, humidity and dust. Do not allow contact with water or any other fluids, or metallic objects
-  Don't throw this product away just as general trash, please deal with the product follow the abandon electronic product regulation in your country.
-  Locate the fixture in a well ventilated spot, away from any flammable materials and/or liquids.
 - The fixture must be fixed at least 20cm from surrounding walls
 - ◆ To avoid condensation to be formed inside, allow this unit to adapt to the surrounding temperatures when bringing it into a warm room after transport. Condense sometimes prevents the unit from working at full performance or may even cause damages
 - ◆ Don't cover any ventilation openings as this may result in overheating.
 - ◆ Don't install it on flammable object.
 - ◆ Don not use it when maximum ambient temperature is higher than 40 degree,
 - ◆ Unplug the unit when it is not used for a longer time or before replacing the bulb.
 - ◆ Don't open the top cover to avoid unit damage.
 - ◆ Please use the original packing when the device is to be transported.

 **Never expose the lens to direct sunlight, even for a short period, This may damage the light effect or even cause fire!**




Safety Warnings


- ◆ Always connect the product to a grounded circuit to avoid the risk of electrocution.
- ◆ Always disconnect the product from the power source before cleaning or replacing the fuse.
- ◆ Avoid direct eye exposure to the light source while the product is on.
- ◆ Make sure the power cord is not crimped or damaged.
- ◆ Never disconnect the product from power by pulling or tugging on the cord.
- ◆ If mounting the product overhead, always secure to a fastening device using a safety cable.
- ◆ Make sure there are no flammable materials close to the product when operating.
- ◆ Do not touch the product's housing when operating because it may be very hot.

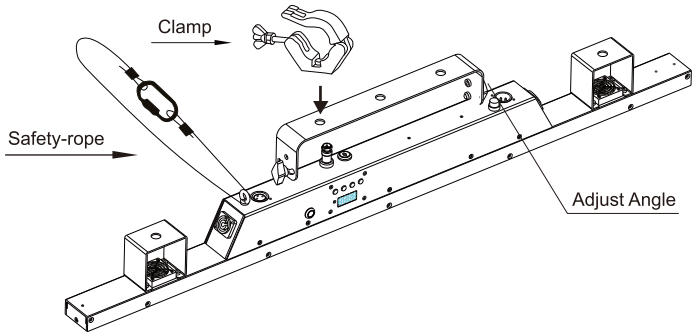
 **Keep this User Manual for future use. If you sell the product to another user, be sure to give this document to the next owner.**

Overhead Rigging

 Attention! The installation must be carried out by qualified service personal only. Improper installation can result in serious injuries and /or damage to property. Overhead rigging required extensive experience! Working load limits should be respected, Certified installation materials should be used, the installed device should be inspected regularly for safety.

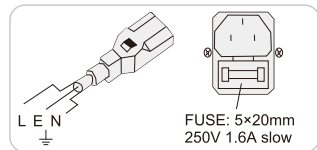
- ◆ Make sure the area below the installation place is free from unwanted persons during rigging, de-rigging and servicing.
- ◆ Locate the fixture in a well ventilated spot, far away from any flammable materials and/or liquids. The fixture must be fixed at least 20cm from surrounding walls
- ◆ The device should be installed out of reach of people and outside areas where persons may walk by or be seated.
- ◆ The device should be well fixed; a free swinging mounting is dangerous and may not be considered!
- ◆ Do not cover any ventilation opening as this may result in overheating
- ◆ Before the first time use, it must be inspected by professional staff to make sure safety, inspection regularly every year.

 Before rigging make sure that installation area can hold the 10 times weight of device. Using the steel rope which can hold 12 times weight of device, through the eye-bolt for assisting hang installment.




AC Power

Please use the attached power, note that power voltage and frequency are the same as the marked voltage and frequency of device when connecting power. Every device's power should be connected separately, so that device can be controlled individually.



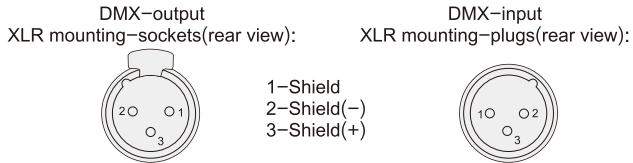
Cable spec:

Cable(EU)	Cable(US)	Pin	International
Brown	Black	Live	L
Light blue	White	Neutral	N
Yellow/Green	Yellow/Green	Earth	

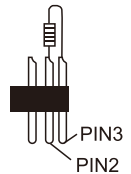
Product Installation

DMX-512 connection

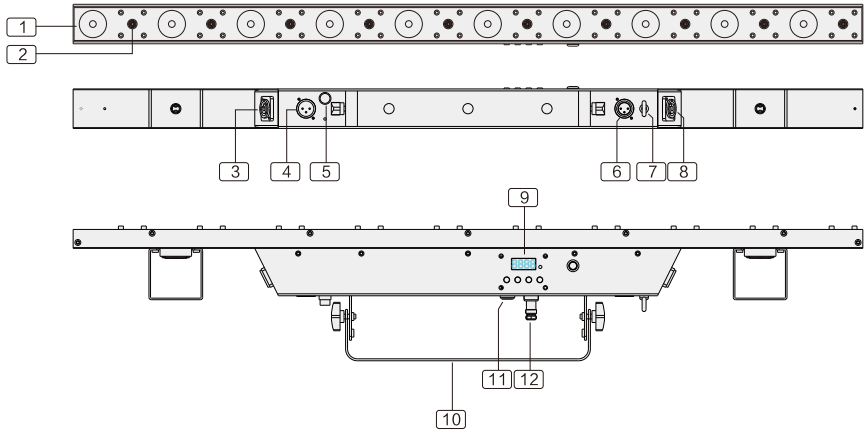
- ◆ Connection between lights and DMX must use the shielded cable of diameter more than 0.5mm. Please use the attached 3 pin XLR plug/socket to connect the DMX output/input interface. The connection between socket and cable as below(note the plug/socket's 3 pin number and position).



- ◆ Note, XLR plug/socket's 3pin can not be touched by inner hull, connection between pins is not allowed. Except above connection, XLR plug/socket can not be connected with XLR control line. Device receives international standard DMX512(1990) control signal.
- ◆ When using standard DMX512 control signal, the last device's output interface must be connected to a DMX plug. This plug is putting a 120 ohm resistance between "canon" plug's 2 pin and 3 pin. Showing as below pic. Sticking this plug into the last device's signal output interface, it will avoid the interference during the process of signal transmission.



Operation instructions

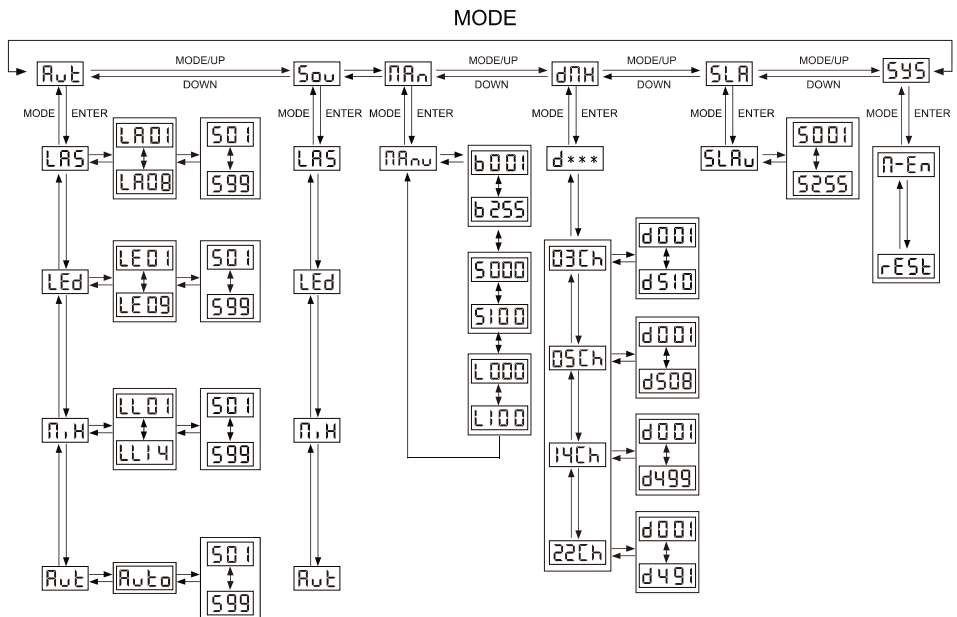


NO	Name	Function
1	LED aperture	3W Golden LED×10Pcs
2	Laser aperture	Red(638/200mW)×10Pcs
3	Power Input(Bule)	Blue neutrik power ouput socket
4	DMX Input	3PIN male XLR interface, for DMX communication
5	Fuse	250V 1.6A Slow blow
6	DMX Output	3PIN female XLR interface, for DMX communication
7	Safety eye	Attach the safety cable
8	Power output(White)	White neutrik power output socket,connect to next fixtrue
9	LED Display	For setting model
10	Hanging bracket	For hang and angle adjustment
11	Key switch	Make sure the professional person use
12	Urgent and safe switch	Switch off the laser manually if error occurs

Menu operating instruction

Once after every power on the device, the VERSION and MANUFACTURE INFORMATION will be shown in LED monitor of rear panel. When the device is powered on, LED monitor on rear panel shows the current operating standalone mode or DMX address of DMX mode. With help of LED control panel, is very easy to set and change the operating mode of. After every resetting and saved, the new mode information will be shown on LED monitor at next power.

- MODE** Mode selection or back to the last function.
- ENTER** Confirm, enter into the deeper menu. Press it to save the chosen model or DMX initial add.
- UP** **DOWN** For changing DMX initial add or function value



Menu operating instruction

LED display		Functional description
A U T	LR5	LASER Auto shows(LA01-LA08)
	LEd	LED Auto shows(LE01-LE09)
	M, H	MIX Auto shows(LL01-LL14)
	AuT	Auto shows
	S01-599	Setting effect speed.01 is the slowest, 99 is the fast
S o u	LR5	LASER Sound shows(LA01-LA08)
	LEd	LED Sound shows(LE01-LE09)
	M, H	MIX Sound shows (LL01-LL14)
	S o u	Sound shows
M A N	M A N U	Manual
d M H	d***	Choosing DMX channel modes
	03/05/14/22CH	Setting channel address
S L A	S 0 0 1 - 5 2 5 5	Enter into slave mode
S Y S	M - E n	Master enable
	r E S t	Restore the factory initial setup



Note: In sound model, device will close light in 5 seconds automatically, if there isn't any sound signal. Light on until sound signal received.

Initial Setting

MENU	UP DOWN		ENTER
AUT	-LAS	LA01-LA08	S. 01 to S. 99, speed from slow to fast 01 is slowest, 99 is fastest
	-LED	LE01-LE09	
	-MIX	LL01-LL14	
	-AUT	AUTO	
SOU	-LAS		Press ENTER to Save
	-LED		
	-MIX		
	-SOU		
MAN	MANU	B.001-B.255 (LED brightness)	ENTER
		S.000-S.100(LED strobe) S. 000: off, S.099: on , S. 100: sound control strobe	ENTER
		L. 000-L. 100(Laser strobe) S. 000: off, S.099: on , L.100: sound control strobe	ENTER
DMX	03CH(d001-d510) 14CH(d001-d499)	05CH(d001-d508) 22CH(d001-d491)	choose channel mode Press ENTER to Save
	dXXX	d001-dxxx	Set starting address Press ENTER to Save
SLA	SLAV	S. 001 to S. 255	Press ENTER to Save
SYS	M-EN	Enable/disable master	Press ENTER to Save
	REST	Restore default settings	Press ENTER to Save

DMX operation instructions



This device adopts large storage and high speed chip, which has been written lots of effect based on DMX application. **Before control other DMX channels, please be sure that the channel 1 was set in proper mode (value).**

3CH

Channel	Value	Description
CH1	000-009	Blackout
	010-039	MIX Auto
	040-069	Laser Auto
	070-099	LED Auto
	100-129	Auto shows
	130-159	MIX sound
	160-189	Laser sound
	190-209	LED sound
	210-255	Sound shows
CH2 MIX AUTO	000-019	Auto LED+Laser show #1
	020-039	Auto LED+Laser show #2
	040-059	Auto LED+Laser show #3
	060-079	Auto LED+Laser show #4
	080-099	Auto LED+Laser show #5
	100-119	Auto LED+Laser show #6
	120-139	Auto LED+Laser show #7
	140-159	Auto LED+Laser show #8
	160-179	Auto LED+Laser show #9
	180-199	Auto LED+Laser show #10
	200-255	Auto LED+Laser show #11
CH2 LASER AUTO	000-039	Auto Laser show #1
	040-079	Auto Laser show #2
	080-119	Auto Laser show #3
	120-159	Auto Laser show #4
	160-199	Auto Laser show #5
	200-255	Auto Laser show #6
CH2 LED AUTO	000-039	Auto LED show #1
	040-079	Auto LED show #2
	080-119	Auto LED show #3
	120-159	Auto LED show #4
	160-199	Auto LED show #5
	200-239	Auto LED show #6
	240-255	Auto LED show #7
CH2	No used	Auto shows
CH3	0-255	Auto speed

DMX operation instructions

5CH

Channel	Value	Description
CH1	000-255	LED brightness
CH2	000-002	ON
	003-249	Strobe from slow to fast
	250-255	Sound control strobe
CH3	000-255	one to five laser source control
CH4	000-255	six to ten laser source control
CH5	000-002	ON
	003-249	Strobe from slow to fast
	250-255	Sound control strobe

14CH

Channel	Value	Description
CH1	000-255	#1Led light brightness
CH2	000-255	#2Led light brightness
CH3	000-255	#3Led light brightness
CH4	000-255	#4Led light brightness
CH5	000-255	#5Led light brightness
CH6	000-255	#6Led light brightness
CH7	000-255	#7Led light brightness
CH8	000-255	#8Led light brightness
CH9	000-255	#9Led light brightness
CH10	000-255	#10Led light brightness
CH11	000-002	ON
	003-249	Strobe from slow to fast
	250-255	Sound control strobe
CH12	000-255	one to five laser source control
CH13	000-255	six to ten laser source control
CH14	000-002	ON
	003-249	Strobe from slow to fast
	250-255	Sound control strobe

22CH

Channel	Value	Description
CH1	000-255	#1Led light brightness
CH2	000-255	#2Led light brightness
CH3	000-255	#3Led light brightness
CH4	000-255	#4Led light brightness
CH5	000-255	#5Led light brightness
CH6	000-255	#6Led light brightness
CH7	000-255	#7Led light brightness
CH8	000-255	#8Led light brightness
CH9	000-255	#9Led light brightness
CH10	000-255	#10Led light brightness

DMX operation instructions/Product parameter

Channel	Value	Description
CH11	000-002	ON
	003-249	Strobe from slow to fast
	250-255	Sound control strobe
CH12	000-255	Laser source 1 control, 0-127 off /128-255 on
CH13	000-255	Laser source 2 control, 0-127 off /128-255 on
CH14	000-255	Laser source 3 control, 0-127 off /128-255 on
CH15	000-255	Laser source 4 control, 0-127 off /128-255 on
CH16	000-255	Laser source 5 control, 0-127 off /128-255 on
CH17	000-255	Laser source 6 control, 0-127 off /128-255 on
CH18	000-255	Laser source 7 control, 0-127 off /128-255 on
CH19	000-255	Laser source 8 control, 0-127 off /128-255 on
CH20	000-255	Laser source 9 control, 0-127 off /128-255 on
CH21	000-255	Laser source 10 control, 0-127 off /128-255 on
CH22	000-002	ON
	003-249	Strobe from slow to fast
	250-255	Sound control strobe

Product parameter

Model	LL-BARS
power	Red(638/200mW)×10pcs
Laser class	3B
Rate LED power	3W Golden LED×10pcs
LED Beam angle	7°
Connectors	3 Pin XLR DMX in/out
Power input	100-240V 50/60Hz 46W
Power linking	Neutrik PowerCon
Product Dimensions	1000×50×166mm
Weight	4Kg

