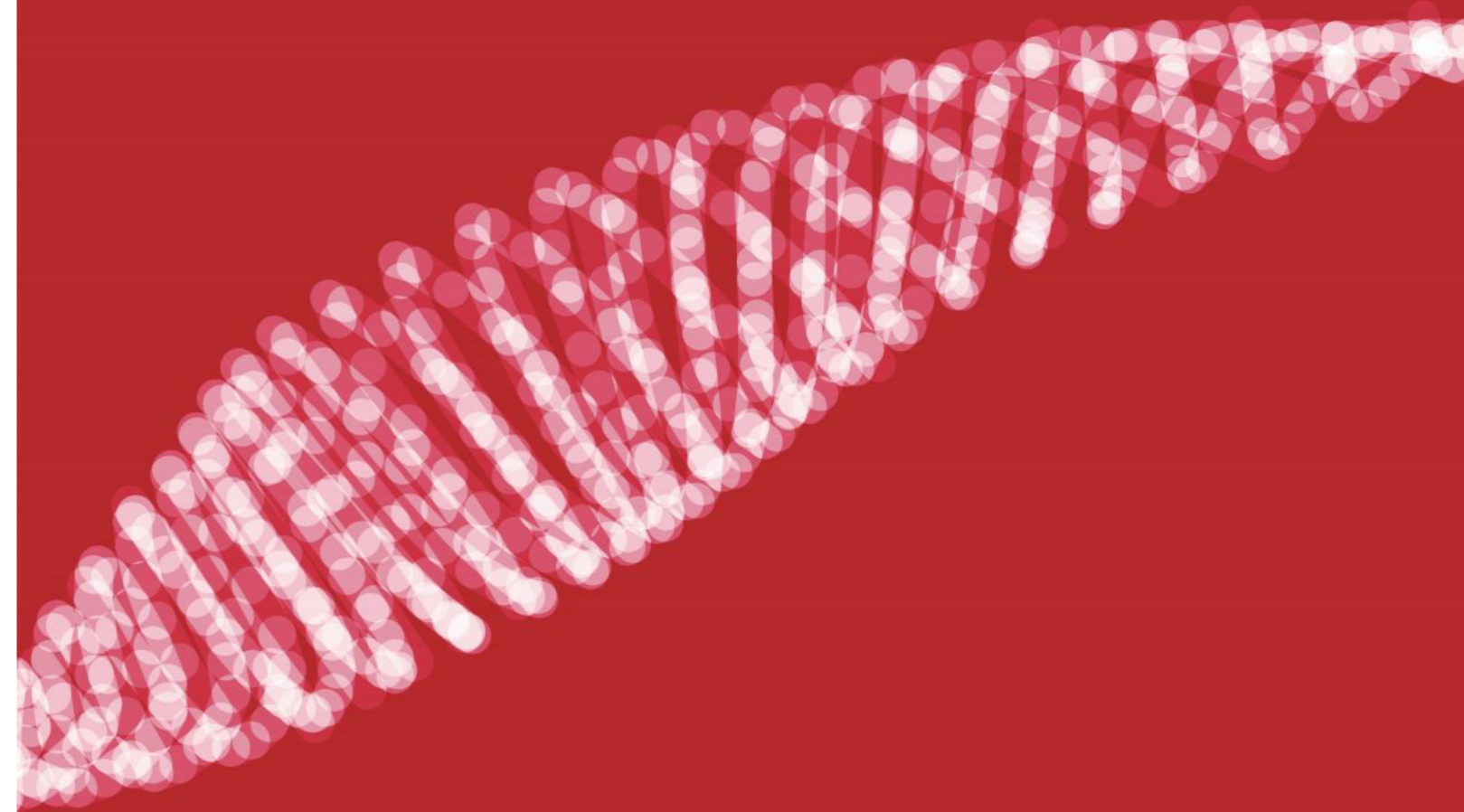


www.imaginsz.com

MAGN



## Glass Fiber Twister 玻纤加捻机

MAGN

苏州英迈杰机械有限公司  
Suzhou Imagin Machinery Co.,Ltd.

地址：江苏省苏州工业园区唯文路7号  
Block A, No.7 Weiwen Road, Suzhou  
Industrial Park, Suzhou, Jiangsu, China

电话：0086-512-6706 6492  
传真：0086-512-6706 6493  
网址：www.imaginsz.com

江苏省南通海安市和顺路88号  
No.88 Heshun Road, Hai'an Nantong,  
Jiangsu, China

Tel : 0086-512-6706 6492  
Fax : 0086-512-6706 6493  
Http: www.imaginsz.com

- 本样本仅作参考，不作为技术验收依据。
- 为提高产品质量，本公司保留更改规格之权力，恕不另行通知。
- We reserve the right to modify the characteristics of the machines described herein without prior notice.
- The data given in this brochure are not intended as a guarantee.

苏州英迈杰机械有限公司  
Suzhou Imagin Machinery Co.,Ltd.



英迈杰机械有限公司是一家集研发、生产、销售和服务为一体的智能纺织专用装备制造型企业，我们主要为全球纺织企业提供卷绕和加捻专用装备及系统的解决方案。

我们立志成为全球纱线卷绕和加捻行业的领导者。凭借着先进的技术理念、稳定的产品质量和完善的服务体系，英迈杰一直为全球客户提供更高性价比的产品与服务。

Imagin machinery Co.,LTD. is a high-tech intelligent textile equipment manufacturing company, enterprise integrating research and development, production, sales and service, we provide winding and twisting solutions for textile companies word-wide.

We are determined to become the global leader of twisting and winding for textile. We provide strong technical supports and excellent service for global textile enterprises with advanced technology concept, stable product quality and perfect service system.

**MAGN** 纺织改变生活，科技创造未来！  
Textile changes life, technology creates the future !

GC全球合作  
Global Cooperation

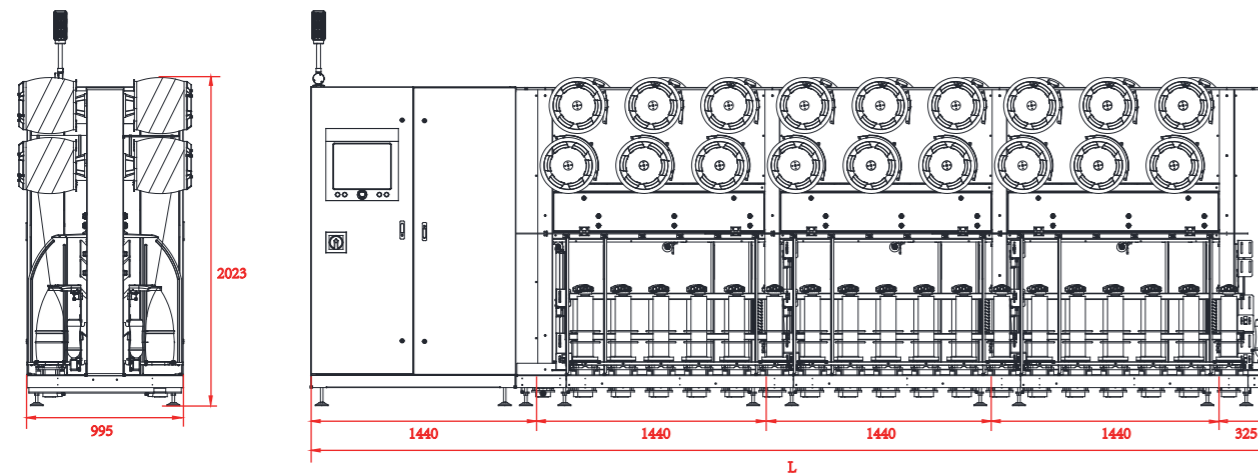


成就客户，汇聚英才。开放合作，迈向杰出。  
Customer success, Gathering talents. Open cooperation, Towards excellence.

■ 技术参数 Frame section

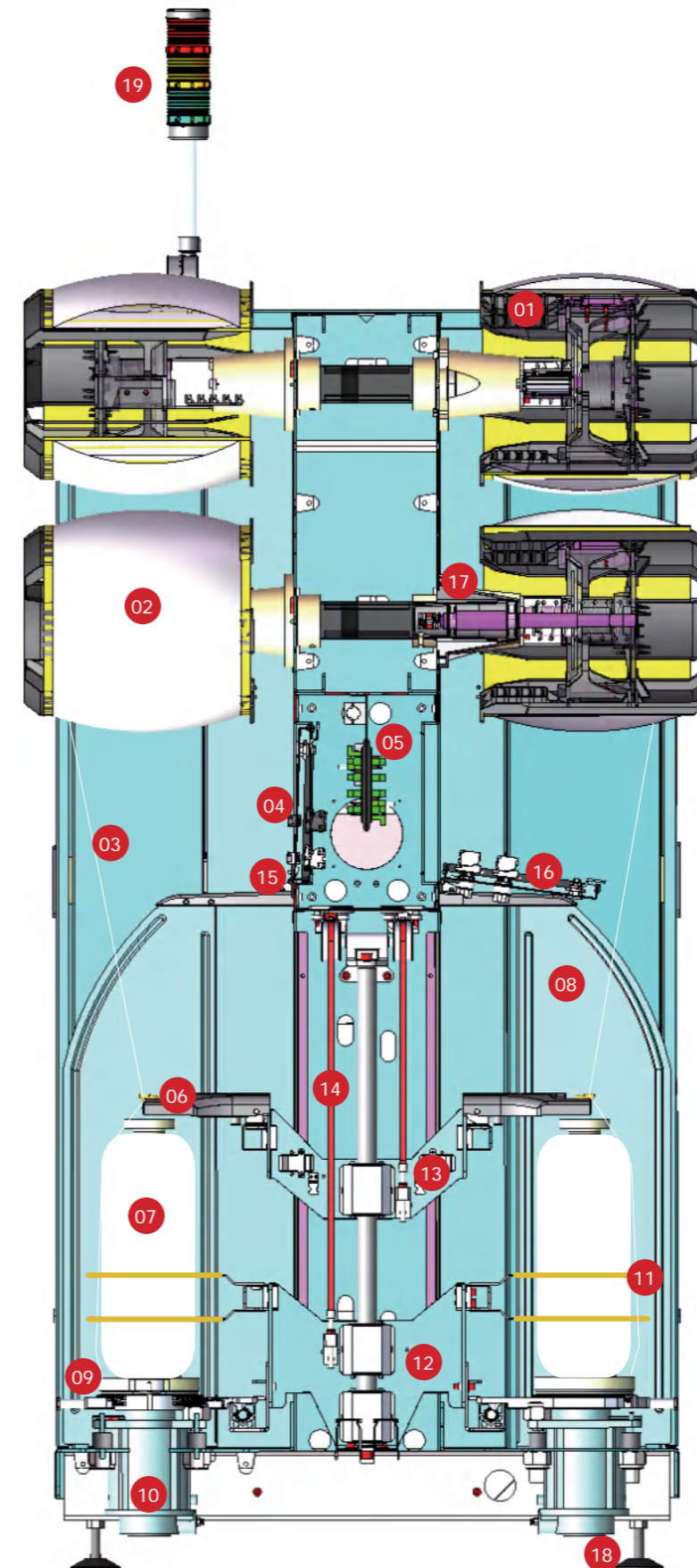
型号	Type	GT240
锭距	Gauge	240mm
每节锭数	Spindles per section	12锭 Spindle
锭数配置	Spindles configuration	168锭(最大) Spindle(max)
节数配置	Section configuration	12节(最大) Section(max)
纱支范围	Yarn count range	5-68 tex
捻度范围	Twist range	10~250T/M
捻向	Twist direction	S/Z
锭速	Spindle speed	3000~8000rpm
纱架速度	Yarn frame speed	50~375rpm
钢领板速度	Steel collar plate speed	0.1-4rpm
卷绕横动程	Winding traverse travel	420mm
钢领尺寸	Steel collar size	Φ 165mm*6.3/4.8mm(直径*高度) (Diameter*Height)
喂入纱重	Weight of Feeding yarn	8kg(最大) (max)
卷装纱重	Weight of package yarn	12kg(最大) (max)
纱架外径	Outer diameter of yarn frame	Φ 340mm
纱架内径	Inner diameter of yarn frame	Φ 300mm
纱架长度	Length of Yarn frame	350mm
选配	Optional	简管适配器、加热系统、远程控制 Adapter, Heating system, Remote control

■ 安装参数 Frame section



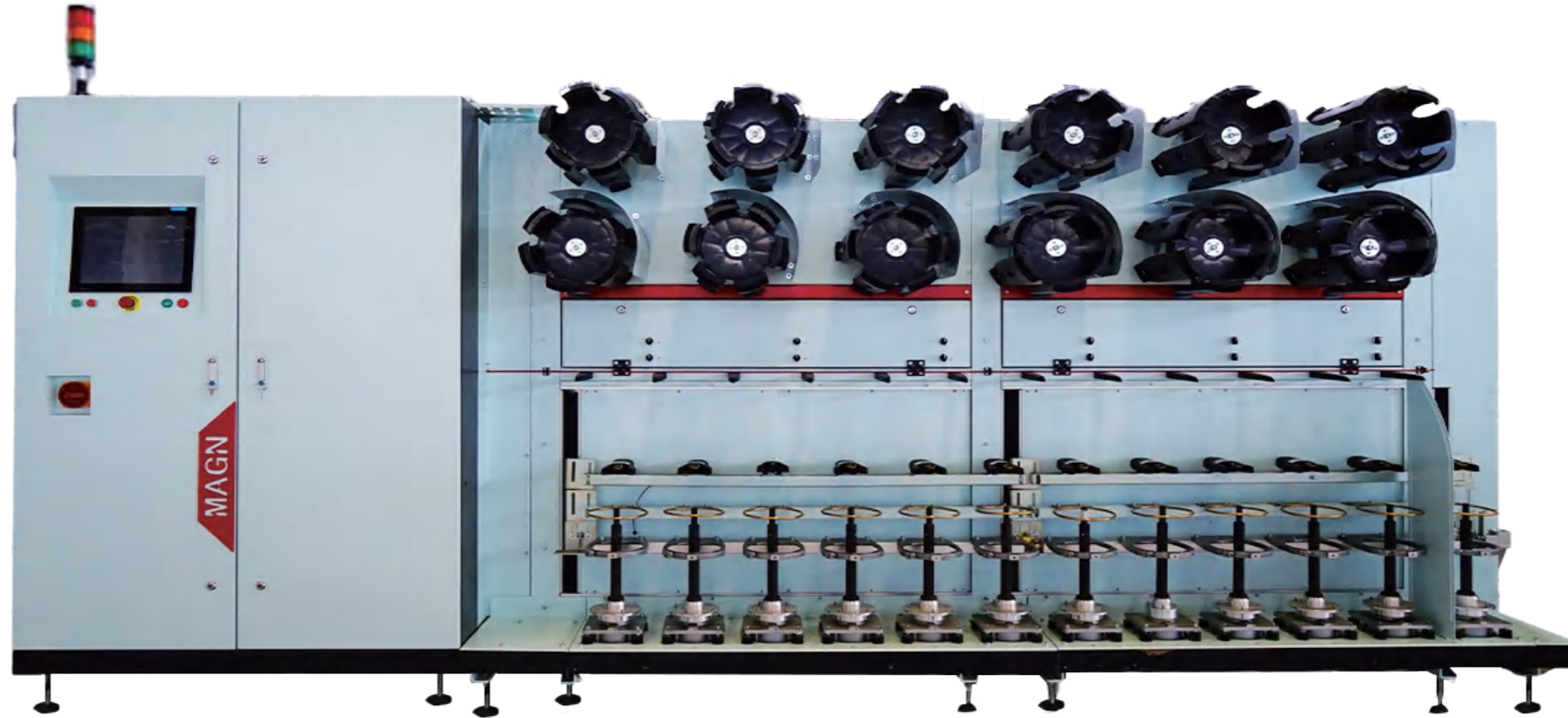
锭数 Number(Sp)	24	36	48	60	72	84	96	108	120	132	144	156
长度 Length(mm)	4645	6085	7525	8965	10405	11845	13285	14725	16165	17605	19045	20485
锭距 Gauge(mm)	240											
宽度 Width(mm)	995											
高度 Height(mm)	2023											
重量 Weight(kg)	2000	2600	3200	3800	4400	5000	5600	6200	6800	7400	8000	8600

■ 结构图 Frame section



- 01 活动纱架 Movable roller
- 02 喂入丝饼 Feeding wire
- 03 退解原丝 Unwind wire
- 04 启停按钮 Start-stop button
- 05 电控单元 Electronic control unit
- 06 传感器 Sensor
- 07 卷取筒子 Coiling bobbin
- 08 隔纱板 Yarn separator
- 09 钢领单元 Steel collar unit
- 10 锭子电机 Spindle motor
- 11 气圈环 Ballon ring
- 12 钢领抬升 Steel collar uplift
- 13 导纱器抬升 Yarn guide uplift
- 14 升降带 Lifting belt
- 15 紧急拉绳 Emergency pull rope
- 16 封板 Closure plate
- 17 绞盘 (选配) Capstan (optional)
- 18 地脚 Anchor
- 19 警示灯 Warning light

■ 整机预览 Overall unit preview



■ 控制技术 Control technology

纱架控制

- ▲ 采用单控式伺服电机，气动张力装置
- ▲ 配置智能PLC驱动单板，集成度更高
- ▲ 支架轻量化工程塑料材质，退绕更轻盈
- ▲ 直驱控制模组，振动和噪音更低
- ▲ 电机过热和过载保护机制

导纱控制

- ▲ 双式气圈环及导纱钩，气圈优化
- ▲ 新型导纱探测系统，断纱测定更精准
- ▲ 弹簧式升降重力补偿系统，筒子成型更佳
- ▲ 高精度编码位控技术，钢领位置精度0.01mm
- ▲ 卷装成品纱退绕特性更好，工艺适配性更优

锭子控制

- ▲ 锭子采用节能型变频技术，能耗低
- ▲ 全伺服精准驱动控制
- ▲ 锭子电机的信号通讯由CAN总线连通
- ▲ 锭速范围3000-9000rpm,偏差3‰以内
- ▲ 电机过热和过载保护机制
- ▲ 锭子配备气动刹车功能

Creel control

- ▲ Single control servo motor and pneumatic tension device
- ▲ PLC single board is configured for higher integration
- ▲ made of lightweight engineering plastic, unwinding is lighter
- ▲ Direct drive control module, lower vibration and noise
- ▲ Motor overheating and overload protection mechanism

Yarn guide control

- ▲ Double air ring and yarn guide hook ,optimization of balloon
- ▲ Yarn guide detection system, accurate yarn break measurement
- ▲ Spring type lifting gravity compensation system, better forming
- ▲ Coding position control technology, accuracy up to 0.01mm
- ▲ The finished yarn has better unwinding characteristics

Spindle control

- ▲ Energy-saving frequency conversion technology
- ▲ Full servo precision drive control
- ▲ The signal communication is connected by CAN bus
- ▲ Ingot speed range 3000-9000rpm, deviation within 3 ‰
- ▲ Motor overheating and overload protection mechanism
- ▲ Spindle is equipped with pneumatic brake function

■ 退解式纱架与浮动式钢领 Retractable creel and floating steel collar

积极退解纱架的优势

- ▲ 减少断头和废纱
- ▲ 丝饼锁紧更快捷

精准浮动钢领的优势

- ▲ 纱线排列更均匀细腻
- ▲ 卷装成型更完美

Advantages of active unwinding of yarn creel

- ▲ Reduce end breakage and waste yarn
- ▲ More convenient silk coil locking

Advantages of precise floating steel collar

- ▲ Yarn arrangement is more uniform and delicate
- ▲ More perfect package forming

