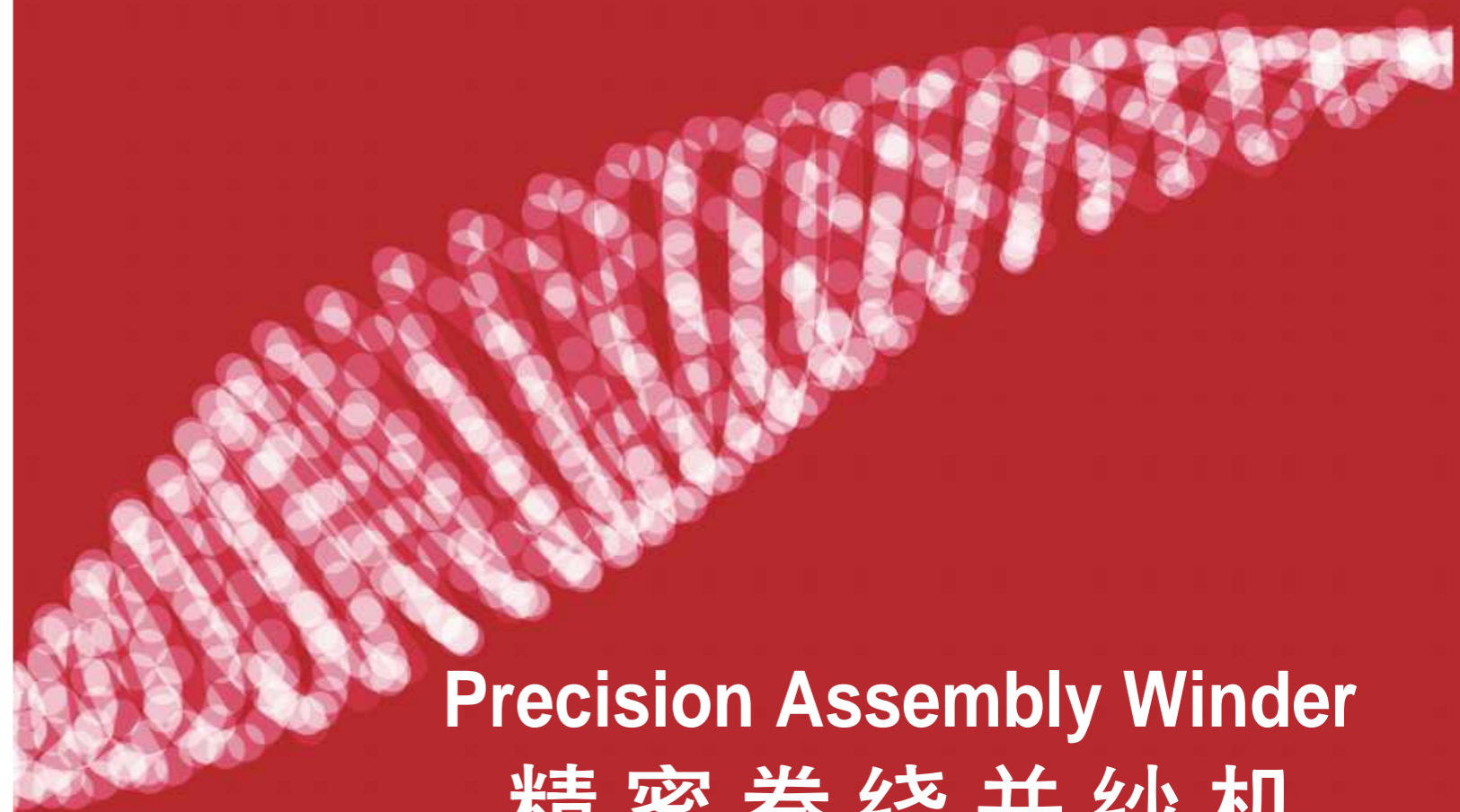


www.imaginsz.com

MAGN



Precision Assembly Winder 精密卷绕并纱机

精密拨片 / 拨叉 / 伺服横动

Precision Propeller / Fork / Servo Guide

自动换管精密拨片 / 拨叉 / 伺服横动

Precision Propeller / Fork / Servo Guide with Automatic Doffing

MAGN

英迈杰机械有限公司
Imagin Machinery Co.,Ltd.

地址：江苏省苏州工业园区唯文路7号
Block A, No.7 Weiwen Road, Suzhou
Industrial Park, Suzhou, Jiangsu, China

电话：0086-512-6706 6492
传真：0086-512-6706 6493
网址：www.imaginsz.com

江苏省南通海安市和顺路88号
No.88 Heshun Road, Hai'an Nantong,
Jiangsu, China

Tel : 0086-512-6706 6492
Fax : 0086-512-6706 6493
Http: www.imaginsz.com

- 本样本仅作参考，不作为技术验收依据。
- 为提高产品质量，本公司保留更改规格之权力，恕不另行通知。
- We reserve the right to modify the characteristics of the machines described herein without prior notice.
- The data given in this brochure are not intended as a guarantee.

英迈杰机械有限公司
Imagin Machinery Co.,Ltd.



英迈杰机械有限公司是一家集研发、生产、销售和服务为一体的智能纺织专用装备制造型企业，我们主要为全球纺织企业提供卷绕和加捻专用装备及系统的解决方案。

我们立志成为全球纱线卷绕和加捻行业的领导者。凭借着先进的技术理念、稳定的产品质量和完善的服务体系，英迈杰一直为全球客户提供更高性价比的产品与服务。

Imagin machinery Co.,LTD. is a high-tech intelligent textile equipment manufacturing company, enterprise integrating research and development, production, sales and service,we provide winding and twisting solutions for textile companies word-wide.

We are determined to become the global leader of twisting and winding for textile.We provide strong technical supports and excellent service for global textile enterprises with advanced technology concept, stable product quality and perfect service system.

MAGN 纺织改变生活，科技创造未来！
Textile changes life, technology creates the future !

GC全球合作
Global Cooperation



成就客户，汇聚英才。开放合作，迈向杰出。
Customer success, Gathering talents. Open cooperation, Towards excellence.

自动换管并纱机选配装置 Optional of automatic doffing winder



后置式纱架
Back creel



落纱自动输送系统
Auto-doffing conveyor system



上油装置
Oiling device



空气网络喷嘴
Air intermingler



超喂装置
Overfeeding device



门栅式张力器
Comb tensioner

FLEX精密卷绕并纱机 Precision assembly winder of FLEX



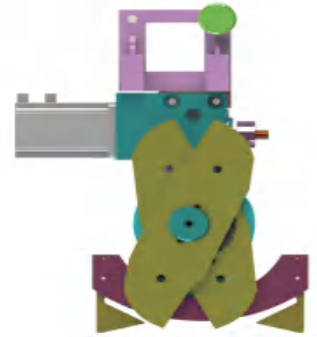
产品的技术优势及特点

Technical advantages of products

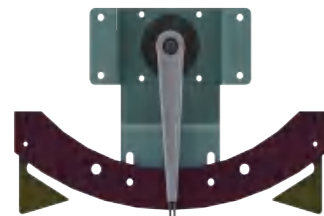
- 轻量式导纱机构，响应速度更快
Lightweight yarn guider, faster response time
- 卷绕动程可调，工艺成型更好
Adjustable winding range for better shaping
- 卷绕速度大幅提升，最高可达到1000m/min
The winding speed has been increased to 1000m/min
- 主动卷绕可减少筒子打滑和摩擦
Active winding reduces slipping and friction
- 维护更简单，减少待机时间
Maintenance is simpler and reduces standby time
- 精密卷绕排列，卷装容量增加30%
Precision winding to increase max 30% weight
- 伺服电机控制，智能驱动配置
Any process range with servo motors
- 卷绕过程永不分纱，无叠纱、绊纱
Never split yarn, no stacked yarn or stumbling yarn
- 垂直通道型纱路，导纱更顺畅
Optimized yarn path concept, smooth passage
- 单锭单控操纵系统，操作更省心
Single spindle control system for easier operation

FLEX精密卷绕并纱机主要参数 Main parameters of FLEX precision winder

型号	Type	FLEX-PW2(FW2/SW2)-N
锭距	Gauge	400/500mm
每节锭数	Spindles per section	8/10双面或4/5单面 8/10Sp double side or 4/5Sp single side
可并根数	No.of yarn assembly	2股及以上(可选配外置纱架) More than 2 strands(Optional external yarn frame)
卷绕速度	Winding speed	1000m/min(根据工艺及纱线特性决定) (According to the yarn process)
驱动方式	Driving method	单锭伺服驱动 Individual servo motor
电机功率	Motor power	400W(标定功率) (Rated power)
张力控制	Yarn tension	电磁式/簧片式/门栅式 Magnetic/Spring/Comb
往复动程	Reciprocate traverse	6" - 8" (PW2/FW2) (170mm-230mm) 10" (SW2) (290mm)
机器长度	Length of machine	420+[总锭数T÷4(8)或5(10)]X2100mm T=Total number of spindles
选配装置	Optional device	隔纱板 Separator 上油装置 Oiling device 网络喷嘴 Air intermingler 吹吸风装置 Overhead travelling blower 空捻器 Splicer



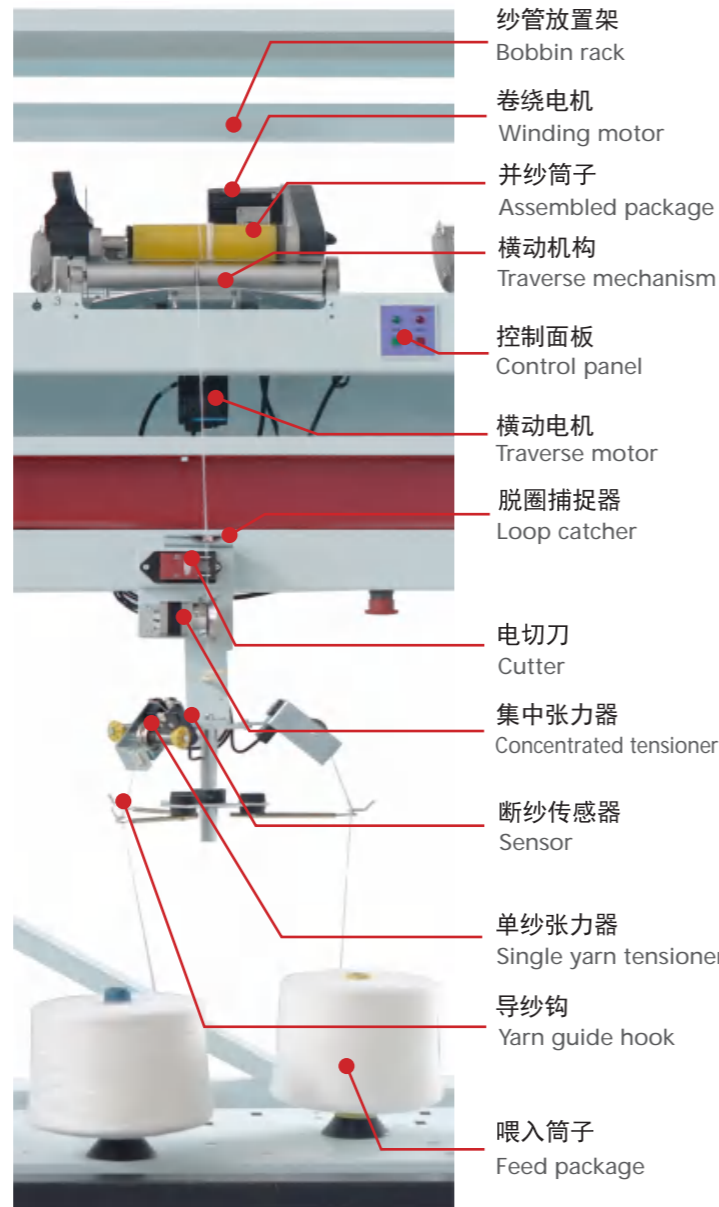
PW 拨片横动
Propeller Traverse



FW 拨叉横动
Fork Traverse



SW 伺服横动
Servo guide Traverse

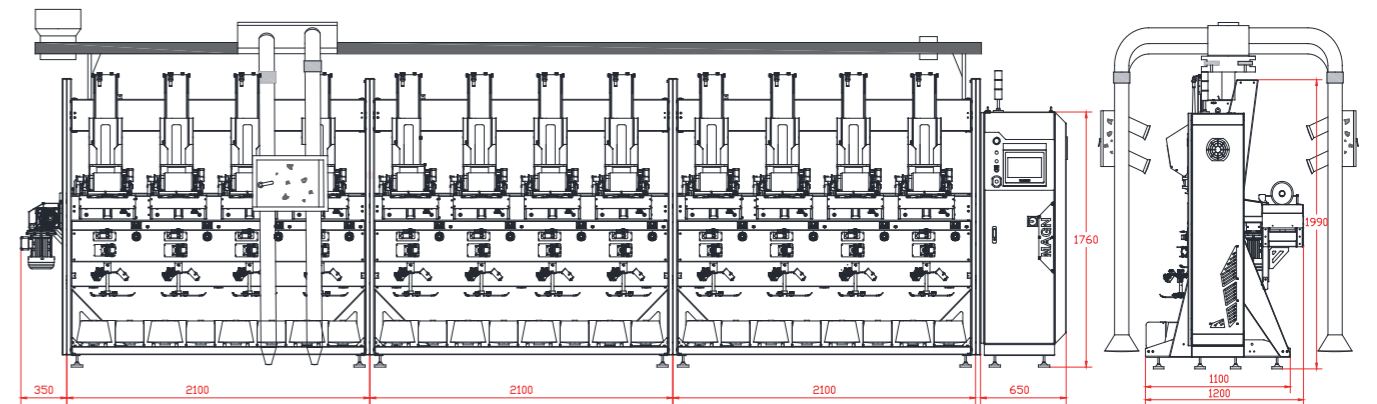


工艺参数 Technological parameters

产品系列	Product series	FWA(PWA/SWA)-N
纱线支数	Count range of yarn	Ne6-200
喂入直径	Feed diameter of package	最大φ250mm max.φ250mm
纱线品种	Type of yarn	短纤、长丝、缝纫线 Staple fiber、Filament yarn、Sewing thread
卷取速度	Winding speed	1200m/min 依据生产工艺 Depending on process parameters
成卷直径	Diameter of assembled package	最大φ220mm max.φ220mm
成卷重量	Weight of assembled package	最大4Kg max. 4Kg
适配筒管	Type of yarn bobbin	6" -10" (SWA-N可适配10英寸筒管) (SWA-N can fits 10 inch bobbins)
输送速度	Conveying speed	3-10m/min 依据客户中需求 Depending on customer transfer request
张力范围	Yarn tension range	0-100% 根据张力百分比 Based on process gives yarn tension percentage
一般应用	Common application	并纱、倒筒 Assembly winding、Rewinding

如有其它工艺参数配置需求敬请咨询我们的服务或销售工程师 If you have other process parameter requirements, please consult the service or sales engineer

外形尺寸 Layout



机器尺寸 Machine dimensions

节数	Section	1	2	3	4	5	6	7	8	9	10	11	12*	13	14	15*
锭数	Quantity(Sp)	4(5)	8(10)	12(15)	16(20)	20(25)	24(30)	28(35)	32(40)	36(45)	40(50)	44(55)	48(60)	52(/)	56(/)	60(/)
长度	Length(m)	3.1	5.2	7.3	9.4	11.5	13.6	15.7	17.8	19.9	22.0	24.1	26.2	28.3	30.4	32.5
宽度	Width(m)	1.20														
高度	Heigh(m)	1.99														
净重	Net weight(kg)	580	1060	1540	2020	2500	2980	3460	3940	4420	4900	5380	5860	6340	6820	7300

4锭/节的机型最大可配置节数为15节, 5锭/节的机型最大可配置节数为12节。
The maximum configurable number of sections for a 4-spindle/section model is 15, while the maximum configurable number of sections for a 5-spindle/section model is 12.

- * 如果您有其他定制化需求, 还请联系我们的销售或技术人员确认。
- * If you have any other customization needs, please contact our sales and engineers.

自动换管并纱机主要参数 Main parameters of automatic doffing winder

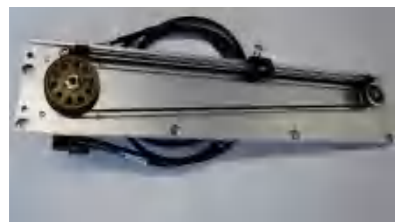
型号 Type	FWA/PWA/SWA-N
锭距 Gauge	400mm/500mm
每节锭数 Spindles per section	4锭/5锭单节 4Sp / 5Sp single section
锭数配置 Spindles configuration	60锭(单面) 60Sp (Single side)
卷绕速度 Winding speed	最大1200m/min Max 1200m/min
驱动形式 Winding drive	单锭伺服电机 Individual servo motor
动程范围 Traverse range	170mm-290mm SWA-N可达290mm SWA-N can reach 290mm
换管形式 Doffing type	自动型(气动) Automatic (pneumatic)
张力控制 Yarn tension	电磁/簧片/门栅张力器 Electromagnetic / Spring / Comb tensioner
背压控制 Force control	数字背压装置 Digital force device
选配装置 Optional device	远程监控系统 Remote monitoring system
	落纱自动输送系统 Automatic conveying system
	循环吹吸风装置 Circulating blowing and suction device
	隔纱板 Separator 上油装置 Oiling device 网络喷嘴 Air intermingler



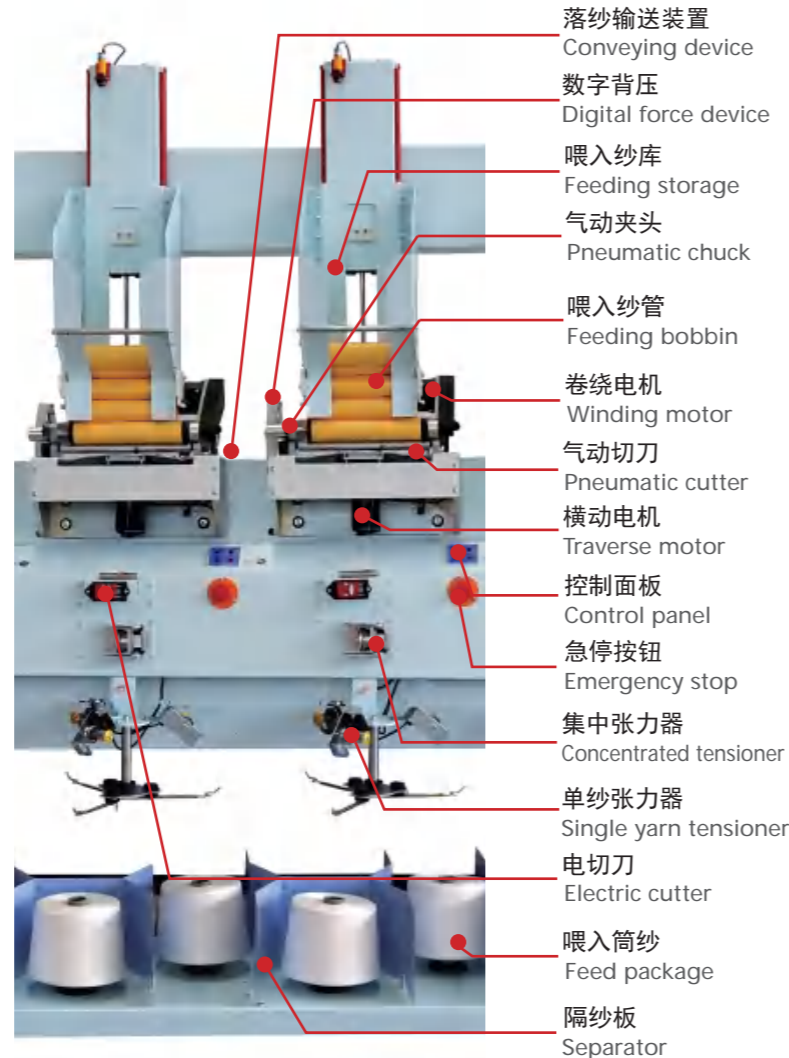
PWA 拨片横动
Propeller Traverse



FWA 拨叉横动
Fork Traverse



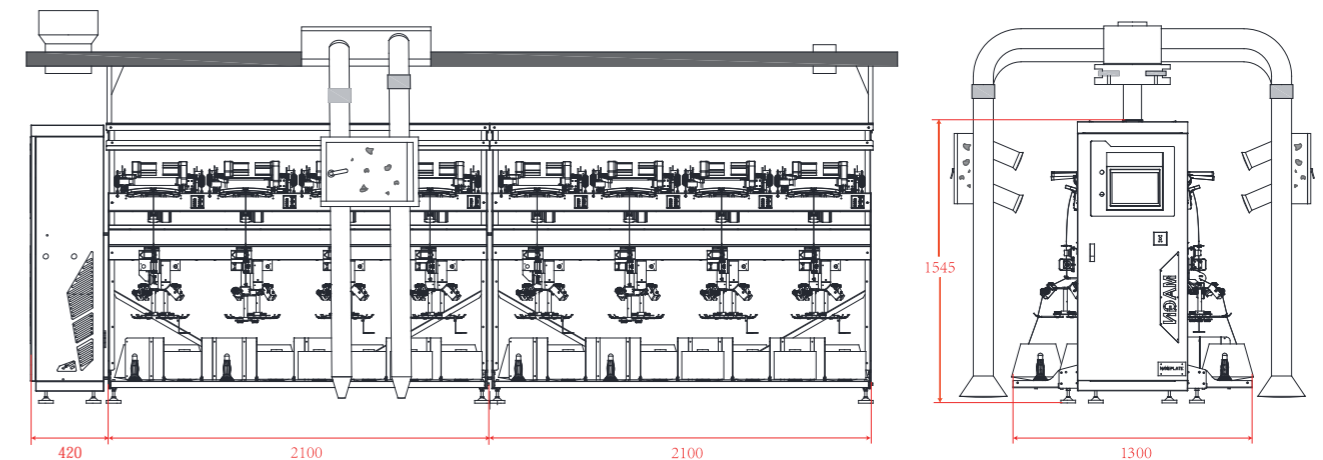
SWA 伺服横动
Servo guide Traverse



工艺参数 Technological parameters

机型 Machine model	PW2/FW2/SW2-N
支数 Count range	Ne6-200
喂入纱筒直径 Diameter of supply package	最大φ250mm Max φ250mm
并纱筒子直径 Diameter of assembled package	最大φ200mm Max φ200mm
纱线品种 Type of yarn	短纤、化纤、缝纫线 Staple fibre, Synthetic, Sewing Thread
卷取速度 Winding speed	1000m/min 根据生产工艺调整 Depending on process parameters
张力范围 Yarn tension range	0-100% 卷绕工艺赋纱线张力百分比 Process gives yarn tension percentage
如有其它工艺参数配置需求请咨询我们的服务或销售工程师 If you have other process parameter requirements, please consult the service or sales engineer	

外形尺寸 Layout



机器尺寸 Machine dimensions

> 单面机型 Single sided selection

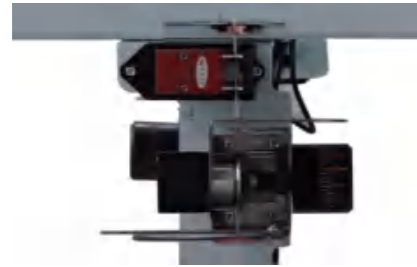
锭数 Quantity (Sp)	4(5)	8(10)	12(15)	16(20)	20(25)	24(30)	28(35)	32(40)	36(45)	40(50)	44(55)	48(60)
长度 Length (m)	2.52	4.62	6.72	8.82	10.92	13.02	15.12	17.22	19.32	21.42	23.52	25.62
宽度 Width (m)	1.30											
高度 Heigh (m)	1.55											
净重 Net weight (kg)	400	700	1000	1300	1600	1900	2200	2500	2800	3100	3400	3700

>> 双面机型 Double sided selection

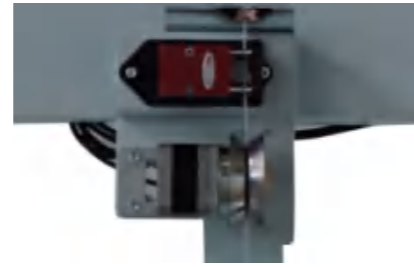
锭数 Quantity (Sp)	8(10)	16(20)	24(30)	32(40)	40(50)	48(60)	56(70)	64(80)	72(90)	80(100)	88(110)	96(120)
长度 Length (m)	2.52	4.62	6.72	8.82	10.92	13.02	15.12	17.22	19.32	21.42	23.52	25.62
宽度 Width (m)	1.30											
高度 Heigh (m)	1.55											
净重 Net weight (kg)	480	860	1240	1620	2000	2380	2760	3140	3520	3900	4280	4660

* 如果您有其他定制化需求, 还请联系我们的销售或技术人员确认。
* If you have any other customization needs, please contact our sales and engineers.

■ FLEX精密卷绕并纱机选装配置 Optional of FLEX assembly winder



簧片式张力器
Spring tensioner



电磁式张力器
Magnetic tensioner



单纱多级张力器
Multistage single yarn tensioner



上油装置
Oiling device



空气网络喷头
Air intermingler



氨纶喂入系统
Spandex Overfeeding system

■ 自动换管并纱机 Assembly winder with automatic doffing



■ 产品的技术优势及特点

Technical advantages of products

- 大容量纱库机构，续航更持久
Large capacity yarn storage mechanism for longer operation
- 磁吸式自动喂入系统，抗干扰性更优
Magnetic suction feeding system with better anti-interference performance
- 落纱自动输送系统，中转速度提高
Automatic doffing conveyor system for increased transfer speed
- 滚花式气动锁紧顶头，筒管夹紧更可靠
Friction patterned pneumatic locking head for more reliable tube clamping
- 电子背压系统，卷绕密度与稳定性更好
Electronic back pressure system for better winding density and stability
- 劳动强度降低，工作量减少50%以上
Reduce labor intensity and workload by more than 50%
- 工序步骤自动化，减少约35%的劳动力
Automation of process reduces labor by about 35%
- 卷绕速度大幅提升，效率提升150%
Significant increase in winding speed and efficiency by 150%
- 精准的张力控制系统，精度误差±1cN
Accurate tension control system with accuracy error of ±1cN
- 单面操纵布局，便于生产管理
Single sided control layout for easy production management