

ROTARY SWITCH MODULE MAINS

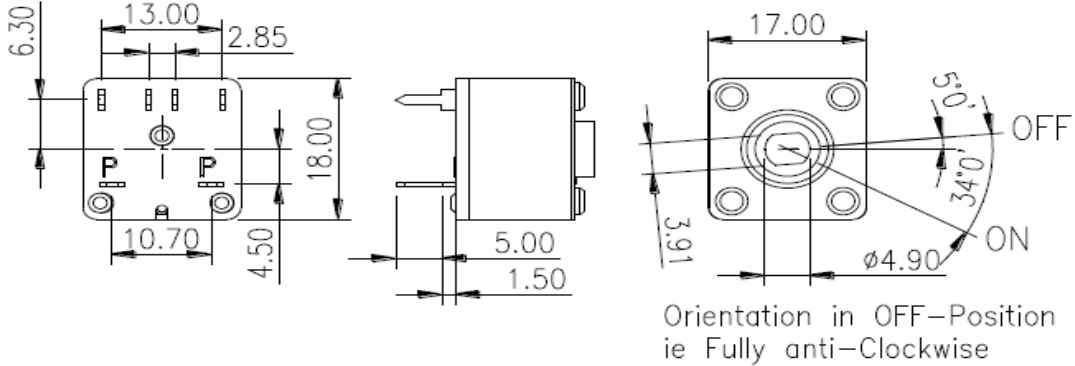
MS2000 MAINS ROTARY SWITCH MODULE ON-OFF TYPES ENEC APPROVED TO EN61058-1

ELECTRICAL & MECHANICAL SPECIFICATION

Switch Rating:	4/80A @ 240V ac R.C.	Life	>15.000
Proof Voltage	3kV min (Initial)	Operating Temperature:	-25°C to +85°C
Insulation Resistance:	>999MΩ @ 500V dc (Initial)	Terminal Material:	Brass CZ108, Ag Plated
Contact Resistance:	>20mΩ (Initial)	Tag Panel:	SRBP
Contact Gap:	>2.5mm	Switch Chamber:	Polyamide 6.5 G.F. V0 Rated
Contact Material:	Silver Cadmium Oxide		

FEATURES

2 pole on-off ENEC approved to EN61058	Solder and PCB terminals	Mounting options	ENEC Approved
2 pole changeover (not ENEC approved)	Optional stops	Non Bracketed Bracketed Plate	Push Button modules also available



SOLDER TERMINAL

PCB TERMINAL

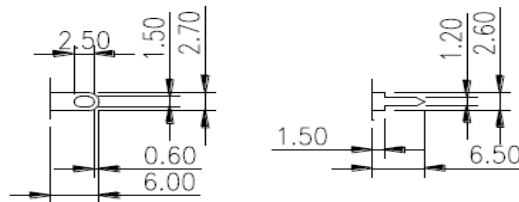
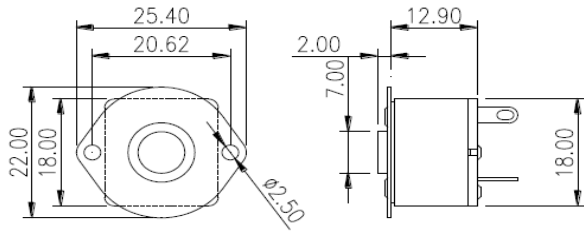
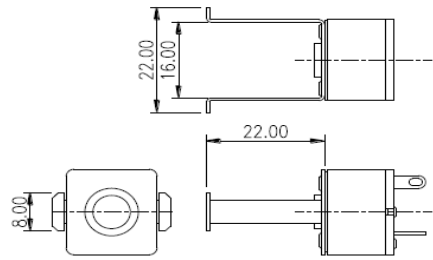


PLATE MOUNTING



MOUNTING BRACKET



ORDER CODES

2 POLE OFF- ON (NORMALLY OPEN)		
	PLATE	BRACKET
ORDERING CODE	MS2126 60° SOL	MS2071 90° SOL
	MS2074 30° SOL	

2 POLE 1 OFF 1 ON		
	PLATE	BRACKET
ORDERING CODE	MS2145 60° SOL	MS2072 90° SOL
	MS2085 30° SOL	

2 POLE ON-OFF (NORMALLY CLOSED)		
	PLATE	BRACKET
ORDERING CODE	MS2163 60° SOL	MS2078 90° SOL
	MS2133 30° SOL	

	SPECIAL PLATE	SPECIAL BRACKET
	MS2170 30° PCB	MS2121 30° SOL
By externally linking the two pole terminals a 1 pole c/o is made		

2 POLE CHANGEOVER (Not Approved)		
	PLATE	BRACKET
ORDERING CODE	MS2146 60° SOL	MS2073 90° SOL
	MS2076 30° SOL	

