

LOCK SWITCH

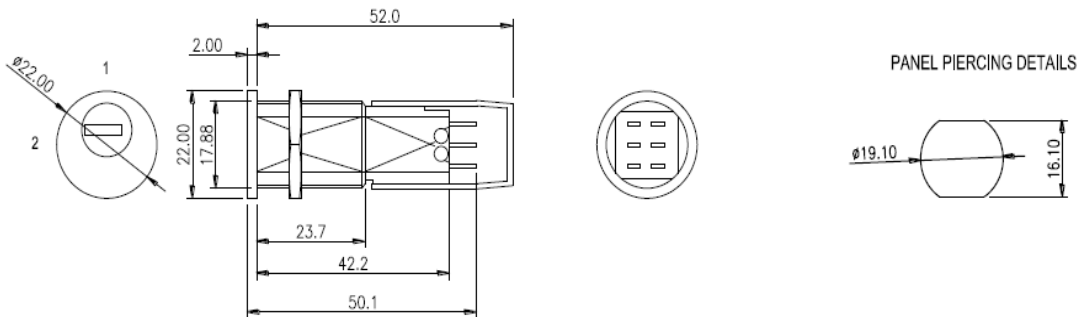
DSIS DSL SPRING RETURN LOCK SWITCH UL/CSA approved module

ELECTRICAL & MECHANICAL SPECIFICATION

Switch Rating:	5A/115Vac 3A/30Vdc	Life	>10.000
Proof Voltage	1kV min (Initial)	Operating Temperature:	-20°C to +85°C
Insulation Resistance:	>999MΩ @ 500V dc (Initial)	Flame Retardancy	UL94 V0
Contact Resistance:	<20mΩ (Initial)	Switch Chamber	Polyamide 6.6 G.F. V0 Rated
Contact Material:	Brass CZ108. Ag Plated	Lock Housing	Brass- Chrome or Nickel plated
		Keys	Mild Steel Ni Plated

FEATURES

Double pole Spring Return	Dimpled keys – dimpled 6 pin lock Solid, sturdy feel 90 grams Solder terminals Max panel thickness 15mm	Same key or 15,000 combinations with key differs Key inserted / removed either way up 90° indexing
Front panel mount, module		



CIRCUITRY

ORDERING CODE

CIRCUITRY	TERMINAL LAYOUT VIEWED FROM REAR OF SWITCH	KEY WITHDRAWAL POSITIONS
2 POLE C/O		SPRING RETURN TO 2 90°

DSL-6 ORDER CODES			
SWITCH	KEY	POSITION IN WHICH KEY FREE	ORDER CODES
2 POLE C/O	DIFFERS	POSITION 2	DSL-6-S-D
2 POLE C/O	SAME	POSITION 2	DSL-6-S-S